

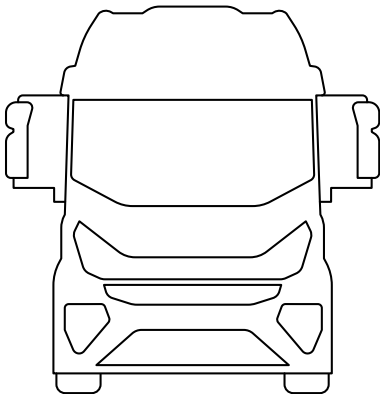


Our expertise  
for your truck

**BEHR®**

## IVECO

MAHLE is your expert for automotive air conditioning and engine cooling. Put your trust in our many years of experience and the proven quality of our products. In this brochure, we've set out a list of the key thermal management spare parts for your IVECO. You'll find more parts and products for other vehicles in our online catalog at [mahle-aftermarket.com](http://mahle-aftermarket.com).



IVECO	EUROCARGO IV-V	STRALIS II	TRAKKER II
Production period	since 2013-11	since 2013-01	since 2007-01
<b>A/C compressor</b>			ACP 793 000S
<b>A/C condenser</b>	AC 549 000P	AC 670 000P AC 670 000S	AC 670 000P AC 670 000S
<b>Cabin heat exchanger</b>		AH 249 000S	
<b>Charge air cooler</b>	CI 37 000P CI 38 000P CI 267 000P CI 268 000P	CI 113 000P CI 115 000P CI 118 000P	CI 118 000P
<b>Expansion tank</b>		CRT 55 000P	CRT 55 000P
<b>Fan wheel</b>			CFW 51 000P
<b>Radiator</b>	CR 380 000P CR 1046 000P CR 1215 000P CR 1216 000P CR 2089 000P	CR 112 000S CR 705 000P CR 710 000P CR 710 000S CR 719 000P CR 719 001P	CR 113 000S CR 719 000P CR 719 001P
<b>Radiator cap</b>			CRB 20 000P
<b>Thermostat for coolant</b>	TX 97 79D	THD 1 86	THD 1 86 TI 136 84 TX 51 79D
<b>Water pump</b>	CP 488 000S	CP 489 000S	CP 449 000S CP 489 000S

For more information on the differences, please check the OE numbers (see end pages) and consult the information in MAHLE's online catalog, TecDoc, and the manufacturer specifications. This list is not necessarily exhaustive or correct.

# Overview of MECCO OE numbers

Product category	MAHLE reference no.	PREMIUM LINE	Produced by	OE number*	Product category	MAHLE reference no.	PREMIUM LINE	Produced by	OE number*
A/C compressor	ACP 793 000S			99488569	Radiator	CR 710 000P	✓	MAHLE	504011119
				500391499					0000504011119
				500341617					
				504385146					
A/C condenser	AC 549 000P	✓		0000504385146	CR 710 000S				
				0000099488569					
				504238741					
A/C condenser	AC 670 000P	✓	MAHLE	504080822	CR 719 000P	✓	MAHLE	41218266	
				0000504080822				0000041218266	
				0000041214450					
A/C condenser	AC 670 000S			41214450	CR 719 001P	✓			
Cabin heat exchanger	AH 249 000S			42553963	CR 1046 000P	✓	MAHLE	504289346	
				42553964				500361629	
Cabin heat exchanger				0000042553963	CR 1215 000P	✓		0000500361629	
				0000042553964				500361626	
Charge air cooler	CI 37 000P	✓	MAHLE	504289364	CR 1216 000P	✓		504080547	
				0000504289364				0000504080547	
Charge air cooler	CI 38 000P	✓	MAHLE	504289365	CR 2089 000P	✓		5801392172	
				00000504289365				00005801392172	
Charge air cooler	CI 113 000P	✓	MAHLE	41214448	Radiator cap	CRB 20 000P	✓	93163623	
								0000093163623	
Charge air cooler	CI 115 000P	✓	MAHLE	504015564	Thermostat for coolant	THD 1 86		52896443	
				0000504015564				99431512	
								504096443	
								504096443KIT	
								0000504096443	
Charge air cooler	CI 118 000P	✓	MAHLE	41218267	TX 51 79D			504071087	
				0000041218267				0000504071087	
Charge air cooler	CI 267 000P	✓		500361633	TX 97 79D			4804321	
				504028467				98432310	
				0000504028467				98467516	
Charge air cooler	CI 268 000P	✓		500361630	TI 136 84			500370403	
				500361631				500381350	
				504028468				504027457	
Charge air cooler	CI 268 000P	✓		0000504028468				504238777	
					5801375230				
Expansion tank	CRT 55 000P	✓	MAHLE	41215631	Water pump	CP 449 000S		500356553	
				0000041215631				0000500356553	
Expansion tank	CRT 55 000P				CP 488 000S			4891252	
								4891252	
Fan wheel	CFW 51 000P	✓		504026023				504062854	
				0000504026023				0000504062854	
Radiator	CR 112 000S			41214447	CP 489 000S			099483937	
								0000099483937	
Radiator	CR 113 000S			41218266					
				0000041218266					
Radiator	CR 380 000P	✓	MAHLE	504289350					
				00000504289350					
Radiator	CR 705 000P	✓	MAHLE	41214447					

For more information on the differences, please consult the information in MAHLE's online catalog, TecDoc, and the manufacturer specifications. This list is not necessarily exhaustive or correct.

\* OE numbers are provided for comparative purposes only.