

Table of Contents

english

Technical service	Page	2
How to use this catalog	Page	3
Sleeve assemblies	Page	4
Rebore kits & valvetrain components	Page	5
Nomenclature - wet sleeve	Page	6
Nomenclature - dry sleeve	Page	7
Nomenclature - piston	Page	8
Piston ring styles	Page	9
Nomenclature - bearings	Page	10
Bearing terminology	Page	11
Gasket sets	Page	12
Part number identification	Page	13
New coverage	Page	43
Caterpillar	Page	48
Cummins	Page	150
Detroit Diesel	Page	300
Komatsu	Page	363
Mack	Page	378
Mercedes-Benz	Page	385
Volvo	Page	411
Universal length cylinder sleeves	Page	422
Expansion plugs	Page	423
Numerical listings	Page	427
Interchanges	Page	444
Numberfinder for filters	Page	575
O-ring assortments	Page	598
O-ring size listing	Page	599
O-ring sealing fluid compatibility guide	Page	600
Measurement equivalents	Page	601

Please Note: All manufacturer's names, symbols, numbers and descriptions are used for reference purposes only and it is not implied that any part is the product of these manufacturers.

For technical service call:
1-800-248-9606



**Hours: 8:30 am - 6:00 pm EST
(Monday - Friday)**

Use Of Clevite® engine parts and Victor Reinz® gaskets products in aircraft or other specialty equipment may be a violation of Local, State or Federal Regulatory Agency laws, rules and regulations.

These products are intended solely for automotive applications. Under absolutely NO circumstances should these products ever be used in non-automotive applications including, without limitation, aircraft engines, medical equipment, atomic energy devices or reactors.

“Federal, State and local laws restrict the removal, rendering inoperative, or in some cases the modification of factory installed emission devices or systems. California restricts the use of parts which could increase emissions in vehicles designed for use on public streets or highways. The sale or installation on emission controlled

vehicles of certain emission control components not approved by the California Air Resources Board, which alter or modify the original design or performance of such vehicle’s emission control system is prohibited. Some of the parts listed and offered for sale in this catalog may fall within the above restrictions. Such parts are intended only for use on off-road vehicles competing in competitive events or on other types of vehicles which are exempt from the applicable emission control laws. Installation of these parts on vehicles subject to emission control laws may be prohibited.

MAHLE Aftermarket recommends that the applicable emission control laws be reviewed before considering the installation of add-on or modified parts.”

Teflon and Viton are registered trademarks of DuPont Corporation.

How To Use This Catalog

This catalog is divided into two sections: engine kits and engine blocks.

Engine kit section: broken down by series; use the index in each section to find the desired engine kit

Each block has the following pertinent information to that kit number:

1. Engine application detail and line no.
2. Product description
3. Kit number
4. Bill of materials

LINE #	NOTES	PART DESCRIPTION	OVERHAUL	QTY	IN-FRAME	QTY
3	4.016" 359 CID (5.9L) 6 Cyl 6B Series	1				3
3.1	Naturally Aspirated Engines	Kit Number	3 409-1006		409-5006	
	OE Piston Number(s) 3802060	Rebore Kit	225-3526	6	225-3526	6
	OE Rod Bearing Number(s) 3901170	Oversizes	STD-020-030-040		STD-020-030-040	
	OE Main Bearing Number(s) 3802070, 68002987AA	Connecting Rod Bearing	CB-1413P	6	CB-1413P	6
		Undersizes	P-25-50-75mm		P-25-50-75mm	4

Engine block section: locate the corresponding block number by using the model index in the front of the section

Each block has the following pertinent information to that part number:

1. Engine application detail and block no.
2. Engine models
3. Product category
4. Product description
5. Product and application notes
6. OE interchanges
7. Part number
8. Per engine quantity

2	1 4.016" 180 CID (3.0L) Cyl. 3 Engine Codes: '3B, 3B2.9, 3BT, 3BT2.9'	2				2
		3 Cylinder Components				
Cylinder Sleeve	Repair Sleeve	3904166	6	226-4490		3
Ring Set	Keystone Top Compression Ring	3802040		S41517	7	3
	5	3806241		S41517.020		8
		3806242		S41517.040		
		Bearings				
Connecting Rod	Machined Rod	3901170		CB-1413P		3

Sleeve Assemblies

MAHLE Clevite sleeve assemblies include the following components: cylinder sleeve (wet and dry), piston, piston pin, lock rings, piston ring set and sleeve sealing rings.

Heavy duty aluminum, iron and steel components provide the structural strength and dimensional integrity to give OE equivalent performance and life. Depending on the application, contemporary design features listed below are included.

Pistons

1. Ni-resist top grooves to control groove wear.
2. Balancing for smooth engine operation.

Piston Pins

1. High strength steels meet structural requirements to prevent pin breakage or deflection.
2. Case hardened to provide long lasting wear surfaces.
3. A high degree of dimensional and surface finish control are the final requirements for strength and long life.

Piston Rings

1. Latest, high strength materials to protect against fatigue breakage.
2. Chrome and moly plated O.D. finishes provide long lasting wear surfaces.
3. Chrome plated and nitrided steel oil rings give good oil control.

Sleeves

1. Sleeve material is carefully manufactured to give longest possible service life with the least amount of wear.
2. Heat treated as required.
3. Firewalls and head gasket beads are included to enhance gasket performance and life.
4. Cross-hatched, plateau honed finish on all I.D.'s provides proper sealing and surfaces for piston rings.

Sleeve Sealing Rings

1. Selected up-to-date compounds give good resistance to compression and thermal set, tearing and leaking.
2. Round, rectangular and square configurations are designed to meet the specific needs of different engines.



For Non-Sleeved Engines

MAHLE Clevite rebore kits include the following components: pistons, piston pins, lock rings and piston rings. Depending on the application, contemporary design features as listed below are included.

Pistons

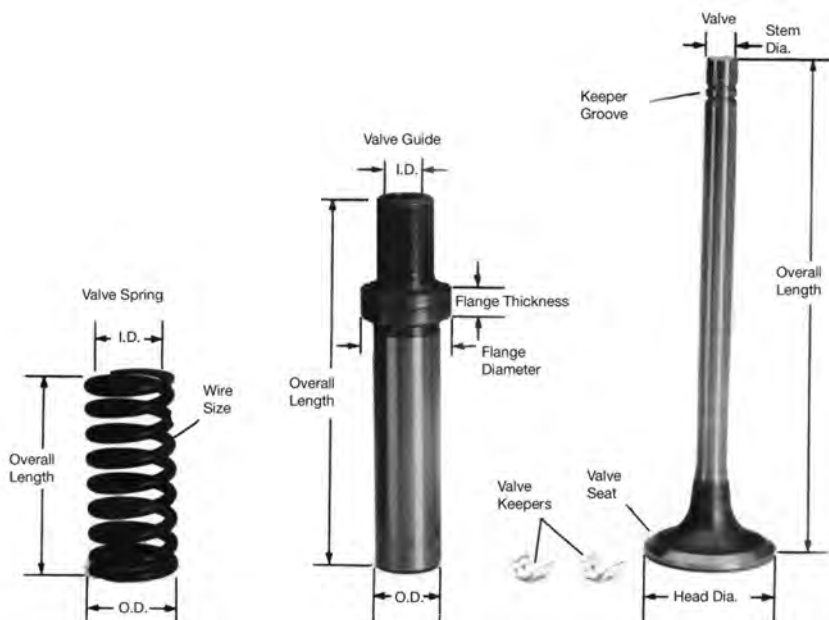
1. Ni-resist top grooves to control groove wear.
2. Balancing for smooth engine operation.

Piston Pins

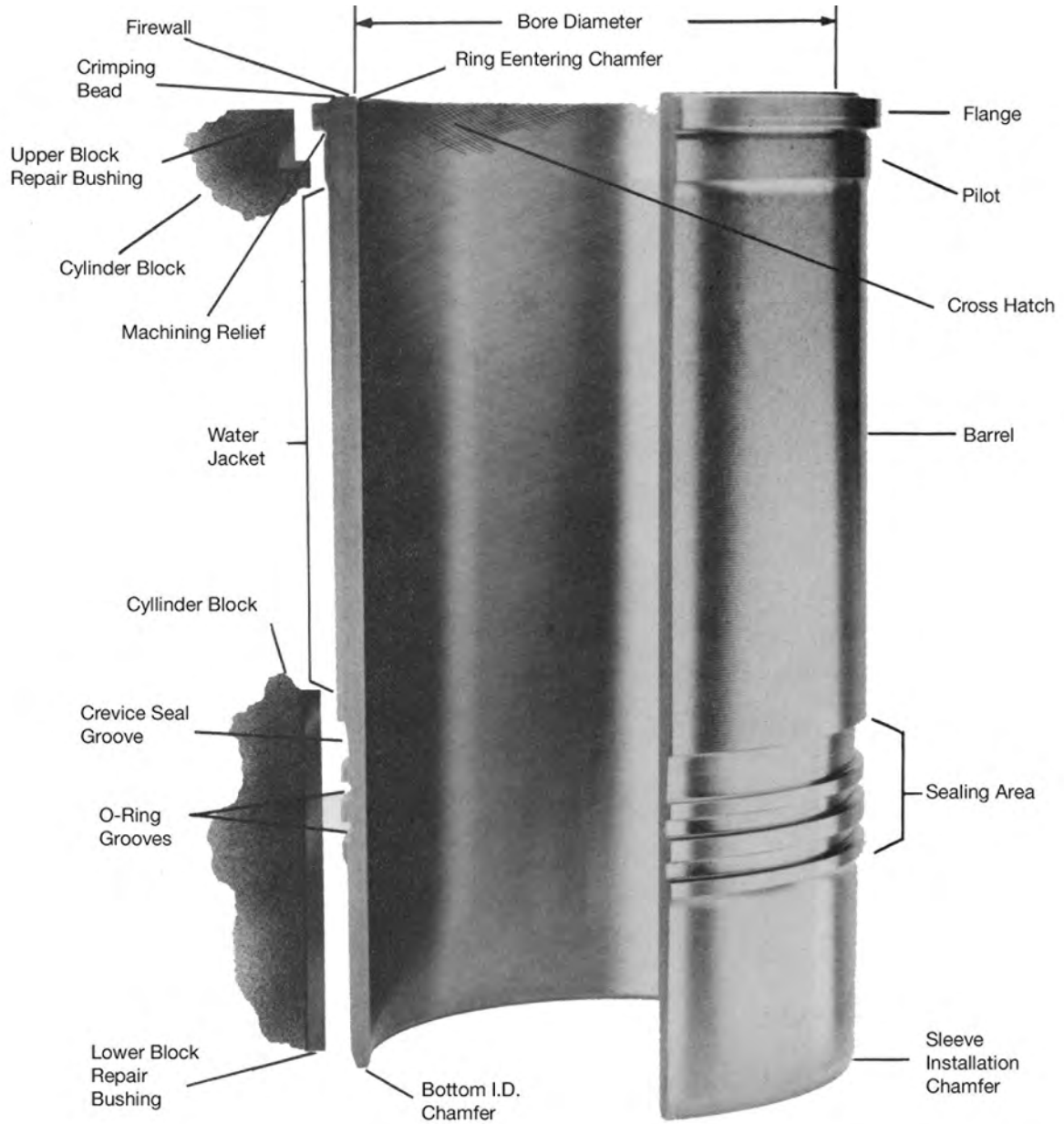
1. High strength steels meet structural requirements to prevent pin breakage or deflection.
2. Case hardened to provide long lasting wear surfaces.
3. A high degree of dimensional and surface finish control are the final requirements for strength and long life.

Piston Rings

1. Latest, high strength materials to protect against fatigue breakage.
2. Chrome and moly plated O.D. finishes provide long lasting wear surfaces.
3. Chrome plated and nitrided steel oil rings give good oil control.

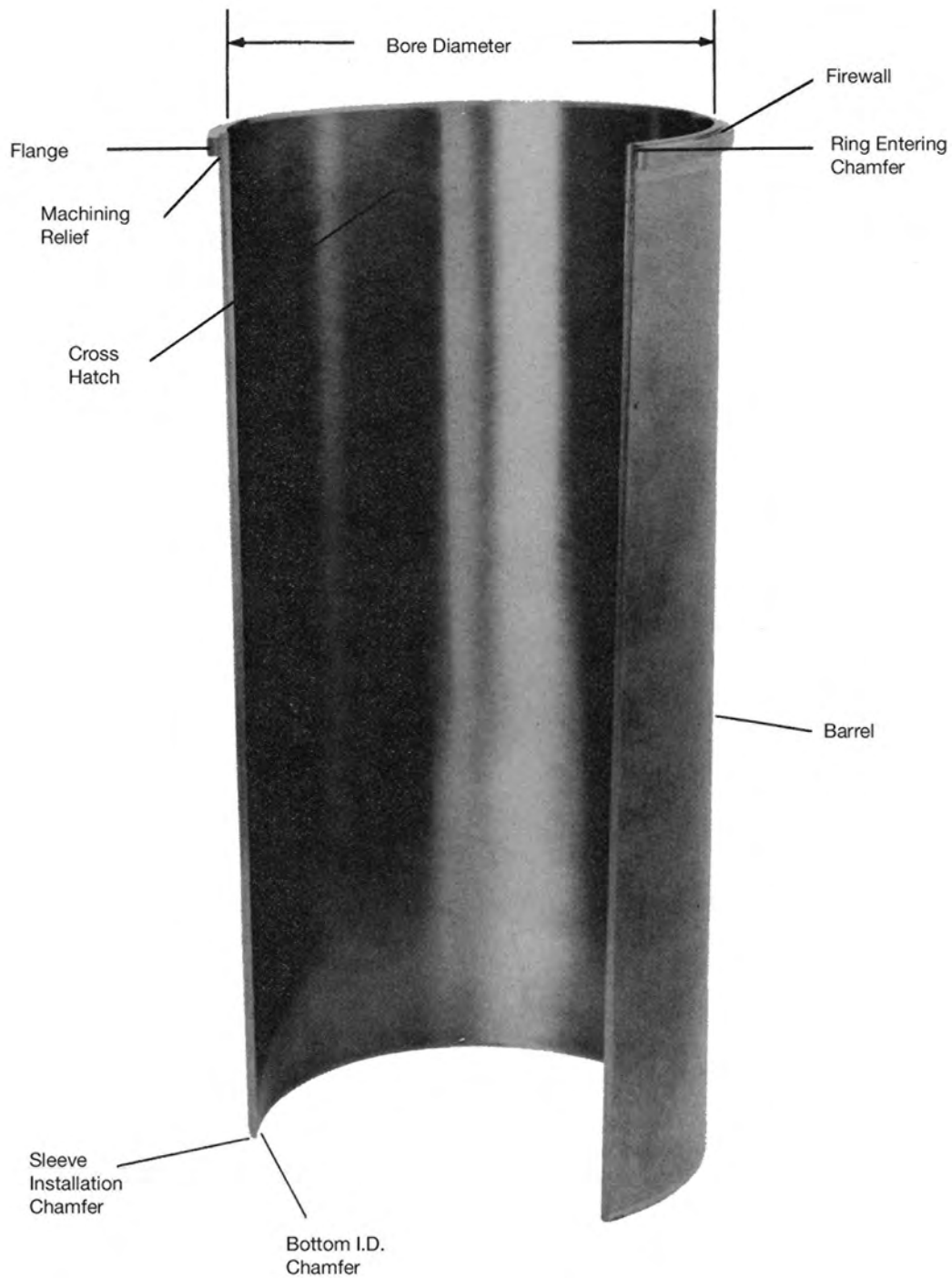


Wet Sleeve Nomenclature

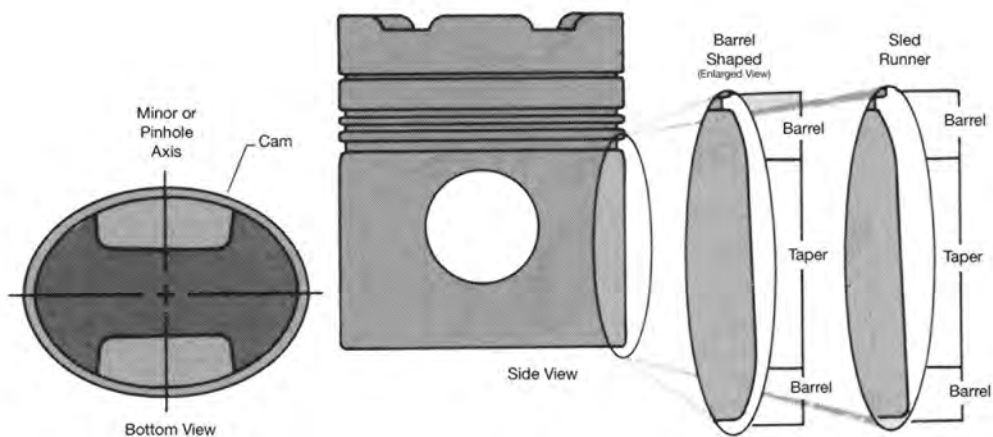
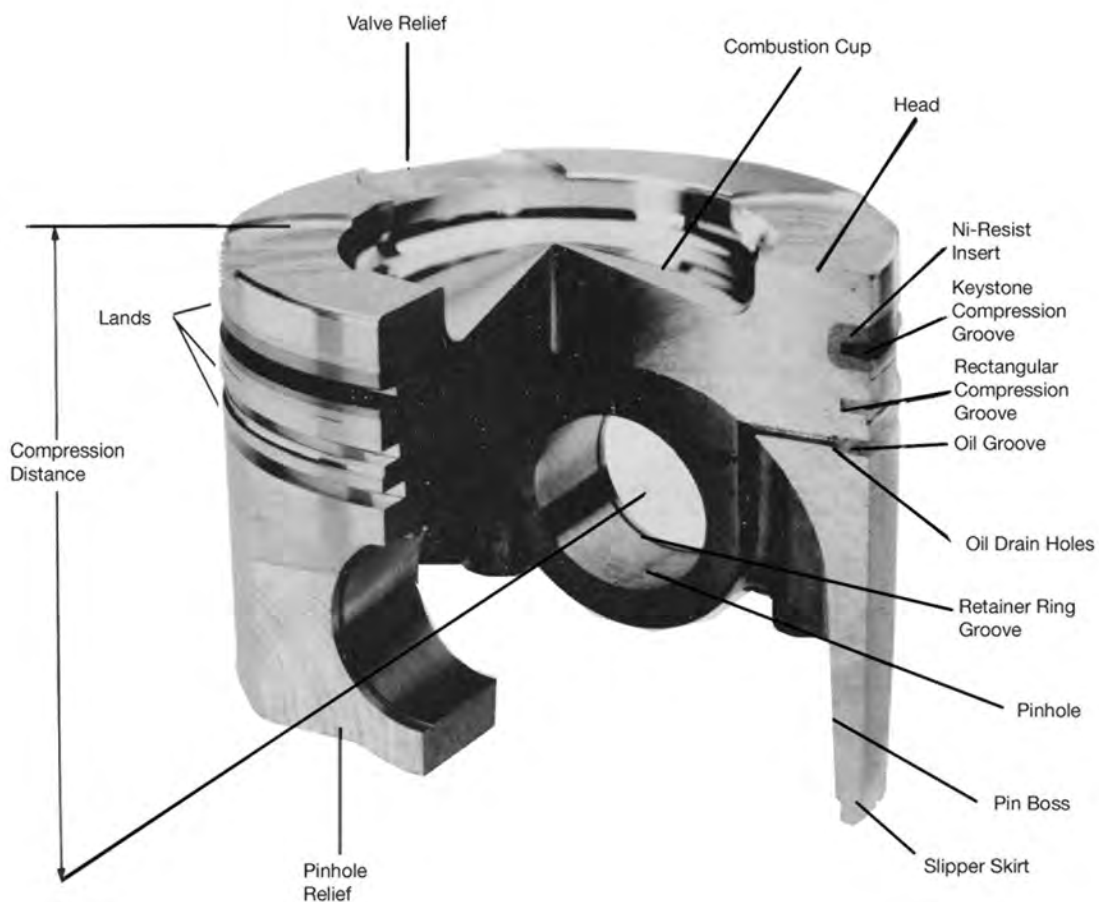


Dry Sleeve Nomenclature

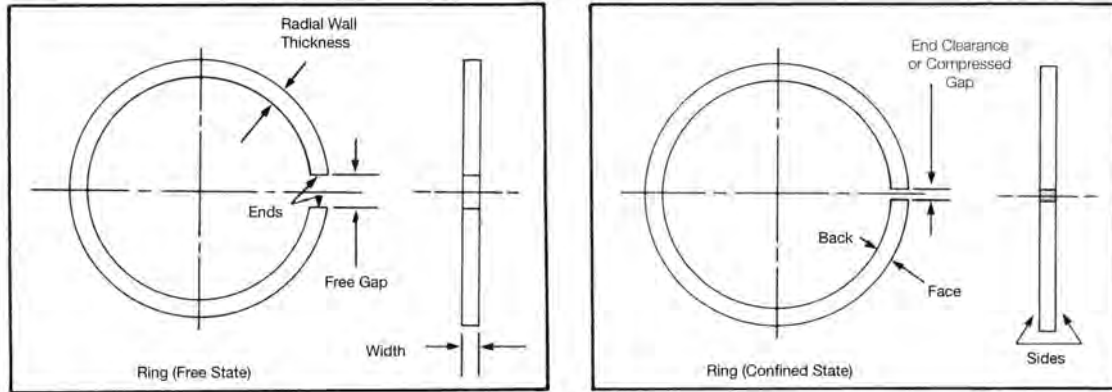
english



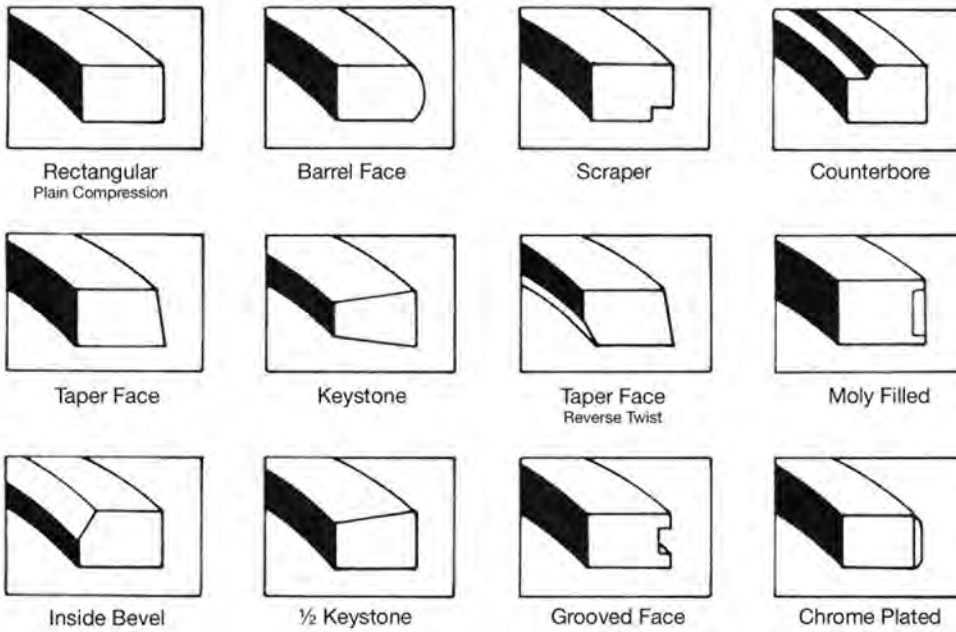
Piston Nomenclature



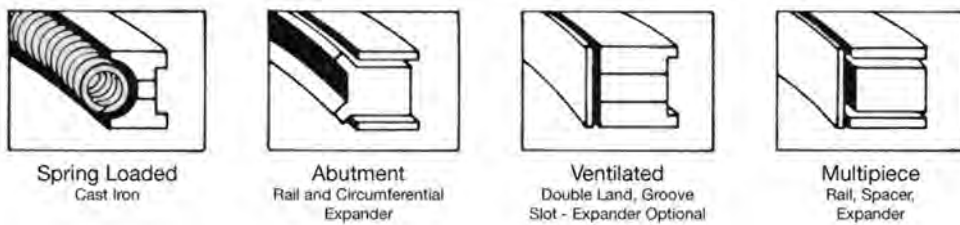
Piston Ring Styles



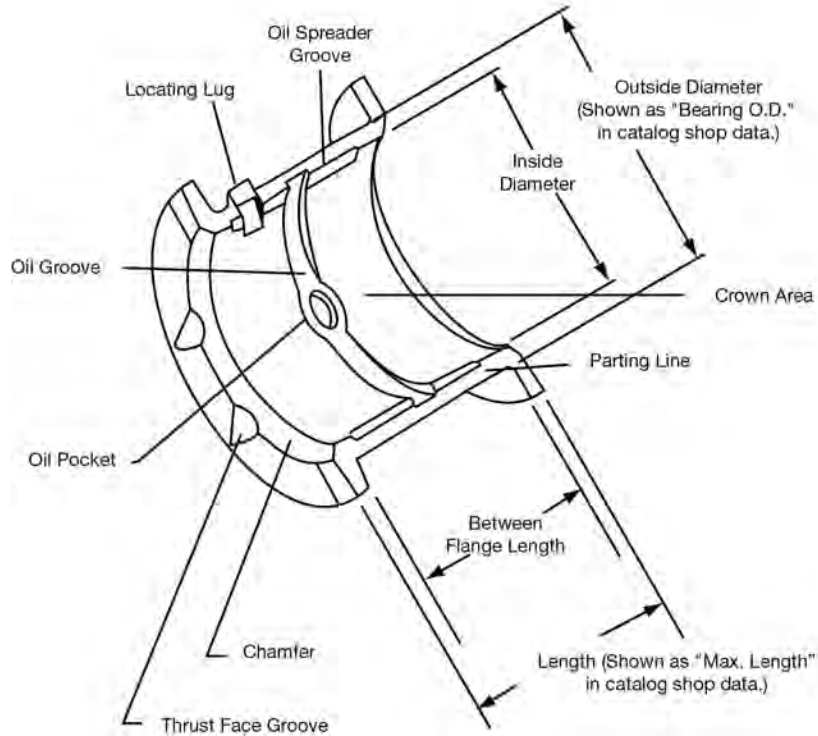
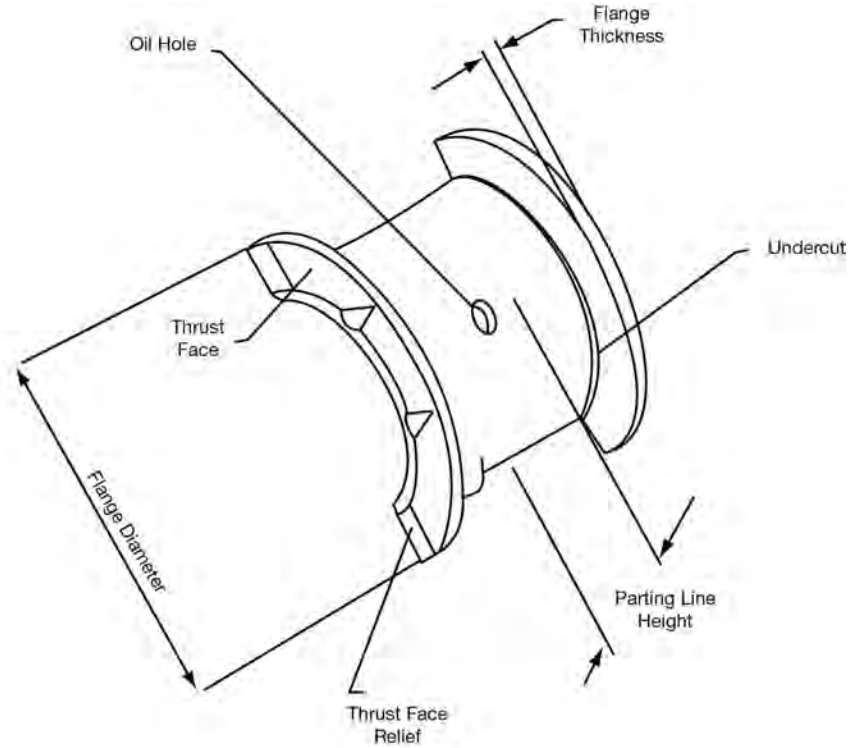
Compression Ring Styles



Oil Ring Styles



Bearing Nomenclature



Bearing Terminology

Bearing Outside Diameter Or Housing Bore

The minimum to maximum diameter of the hole in the engine block or the connecting rod.

Crush

When the bearing half is in its place in the housing bore, there is a slight bit of material that extends above the housing bore. When the assembly is torqued to proper specification, force is then exerting onto the OD of the bearing causing a press fit. Crush also aids in bore distortion, and heat transfer by increasing the surface contact with the bearing and the bore. Clevite Performance bearings have added crush for heat transfer and bearing retention. The amount of crush will vary depending on application.

Eccentricity

A gradual reduction in the bearing wall thickness starting at the crown and ending at approximately .380" from the parting lines.

Full Annular Grooved

Bearings having an oil groove cut from parting line to parting line in the internal surface of the half shell. When two grooved halves are joined, this creates a groove in the internal surface around the total circumference of the bearing.

Inside Diameter

The distance between the inner surfaces of the assembled bearing.

Main T/W Set

Main thrust washer set.

Maximum Bearing Length

The maximum length that the bearing may have (including the flange when it applies). The actual length is usually less than this value.

Maximum Wall At Crown

The maximum thickness of the bearing wall at 90° from the parting lines. The actual thickness is usually less than this value.

Standard Shaft Diameter

The minimum to maximum size of the standard main crankshaft journal, connecting rod journal or camshaft journal.

Vertical Oil Clearance

The difference between the assembled inside diameter of the bearing and the outside diameter of the shaft, measured at 90° from the bearing parting lines.

Gasket Set Terminology

Full Gasket Set

Includes all gaskets normally required for a total disassembly of the engine or complete out-of-frame overhaul, including standard front and rear seals.

In-frame Gasket Set

Includes all gaskets normally required to do an in-frame overhaul. This would include all the gaskets required to remove and replace all cylinder heads and pan gasket.

Head Gasket Set

Includes all gaskets normally required to remove and replace a cylinder head. Caution should be exercised in ordering head gasket sets as sets can be offered in single cylinder, multi-cylinder or complete engine sets. There are cases where multiple sets are required to service all cylinder heads on one engine. Selected head gasket sets are available with oversize head gaskets to compensate for machining of components.

Oil Pan Set

Includes all gaskets normally required to remove and replace the oil pan.

Cylinder Head Gasket

Includes single head gasket only and no supporting gaskets. These are available separately for popular applications. Selected head gaskets are available in oversize to compensate for machining of components.

Timing Cover Set

Includes all gaskets and standard seals normally required to access and service timing chains or gears. Selected sets also include crankshaft repair sleeves.

Manifold Gasket Set

Includes all gaskets normally required to remove and replace either intake or exhaust manifolds. Intake and exhaust sets are ordered separately and are available for popular applications.

Valve Cover and Push Rod Cover Set

Includes all gasket normally required to remove and replace either valve covers or push rods covers. Valve cover and push rod cover sets are ordered separately and are available for popular applications.

The numbers listed next to the headings below correspond to the part identification numbers listed on the following pages. These numbers will help to identify our part numbers, nomenclature, prefix and or suffix for common parts in our product line.

Engine

Series	Description
211-1000	Valves
212-1000	Valve Springs
213-1000	Valve Lifters
214-1000	Rocker Arm Parts
214-2000	Rocker Arms
215-4000	Push Rods
216-1000	Valve Stem Seals
216-2000	Roto Mechanisms
216-3000	Roto Cap Assemblies
216-4000	Valve Spring Retainers
216-5000	Valve Locks
216-7000	Engine Fasteners
217-3000	Valve Guides
218-3000	Valve Seat Inserts
219-	Expansion Plugs
223-1000	Wrist Pins
223-3000	Piston Pin Bushings
223-5000	Lock Rings
223-7000	"O" Rings
223-8000	Shims, Insert Rings
224-1000	Pistons
226-1000	Sleeve Assemblies
226-4000	Sleeves
226-8000	Repair Sleeves
229-1000	Camshafts
230-1000	Rocker Arm Assemblies
230-3000	Rocker Arm Shafts
247-5000	Crankshafts
601-3000	Oil Coolers
A-B-C	Valve Spring Inserts
8-	Timing Gears
9-	Sprockets and Chains
S-	Timing Sprockets

Filters

OC	Oil Filter
KC	Fuel Filter

Turbocharger Suffix

-000	Factory New
-100	Remanufactured to OE Standards

Gaskets

Series	Description
40000 & 60000	Rear Main/Timing Cover Seals
43-5999	Cylinder Head Gaskets (single)
CH-	Cylinder Head Gaskets (multi)
CS-	Conversion Sets "Lower"
EK-	In-Frame Sets
FS-	Full Gasket Sets
HS-	Head Gasket Sets "Upper"
JV-	Rear Main or Timing Cover Sets
MS-	Intake or Exhaust Manifold Sets
OS-	Oil Pan Gasket Sets
PS-	Push Rod (Side) Cover Gasket Set
SS-	Front or Rear Main Seal (Includes Repair Sleeve)
VS-	Valve Cover Gasket Set

Bearings

223-3000	Piston Pin Bushings
CB-	Connecting Rod Bearing
MB-	Individual Main Bearing
MS-	Main Bearing Set
SH-	Cam Bearing
SM-	Shim Set
TW-	Thrust Washer

Bearing Suffix

-AL	Aluminum Alloy or Seal Backed with an Aluminum Alloy Lining
-B	Steel or Bronze Backed with a Babbitt Lining
-C	Steel Backed With Copper Lead Lining
-G	Steel Backed with TriMetal Copper Lead Matrix
-F	Flanged Bearing
-M	Steel Backed with Micro Babbitt Lining
-P	Steel Backed Intermediated Layer of TriMetal Copper-Lead Alloy with a .001" Electroplated Lead-Tin Overlay
-S	Indicates "Set"
-W	Thrust Washer WL-lower, WU-upper

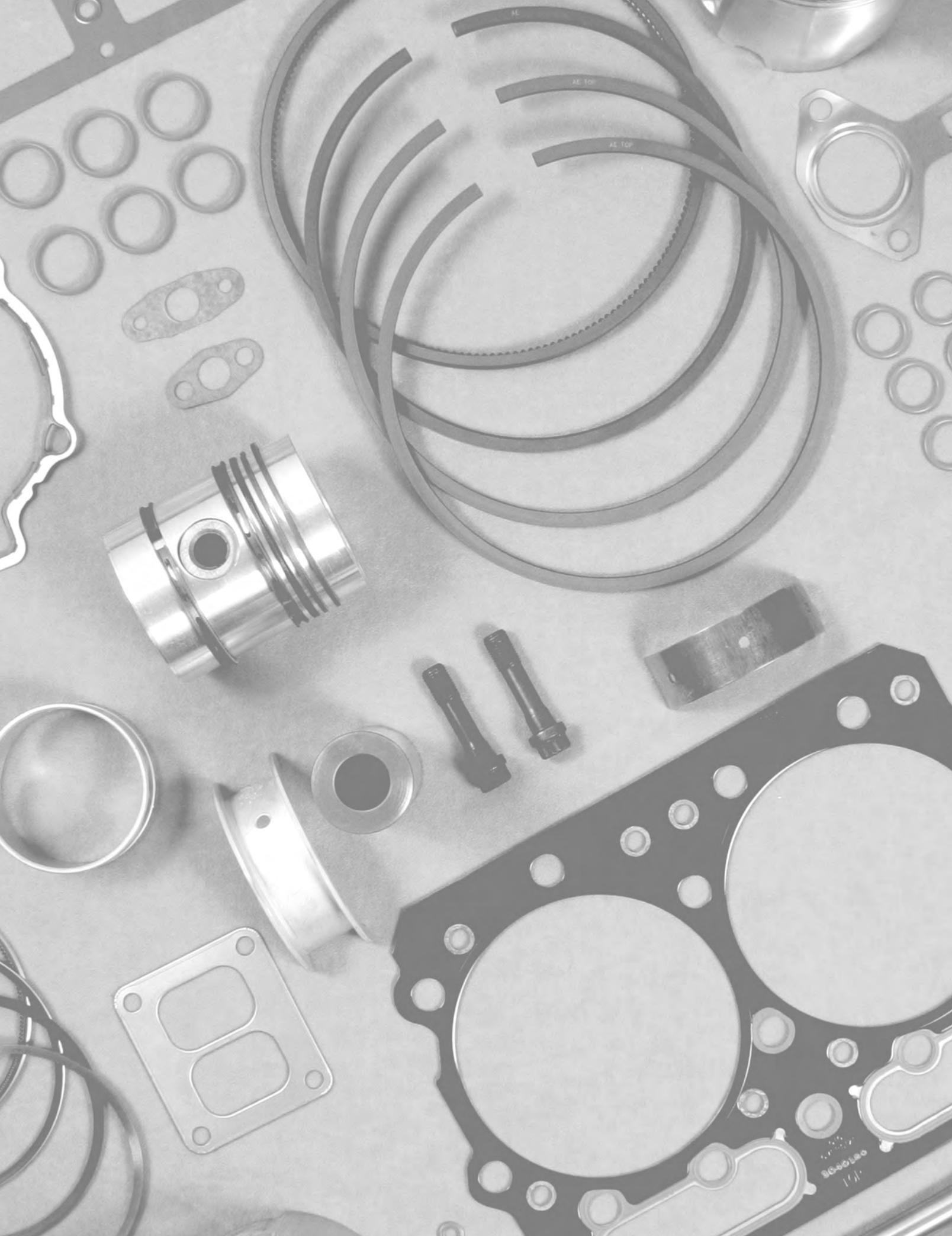


Table des matières

Service technique	Page	16
Mode d'utilisation de ce catalogue	Page	17
Ensembles de chemises de cylindre	Page	18
Nécessaires de réalésage et composants de dispositifs de commande de soupapes	Page	19
Nomenclature – chemise humide	Page	20
Nomenclature – chemise sèche	Page	21
Nomenclature – piston	Page	22
Styles de segments de piston	Page	23
Nomenclature – paliers	Page	24
Terminologie relative aux paliers	Page	25
Ensembles de joints d'étanchéité	Page	26
Identification des numéros de pièce	Page	27
Nouvelles applications	Page	43
Caterpillar	Page	48
Cummins	Page	150
Detroit Diesel	Page	300
Komatsu	Page	363
Mack	Page	378
Mercedes-Benz	Page	385
Volvo	Page	411
Chemises de cylindre de longueur universelle	Page	422
Bouchons expansibles	Page	423
Listes numériques	Page	427
Correspondances	Page	444
Listes numérique de filters	Page	575
Assortiment joints toriques	Page	598
Liste des joints toriques	Page	599
Guide de compatibilité des liquides de scellement pour joints toriques	Page	600
Équivalences des mesures	Page	601

Prière de noter : l'ensemble des noms, des symboles, des numéros et des descriptions des fabricants sont utilisés à titre de référence seulement, et ne laisse aucunement entendre qu'une pièce est le produit de l'un ou l'autre de ces fabricants.

français

Pour joindre le service technique, veuillez composer le : 1-800-248-9606



**Heures : de 8 h 30 à 18 h HNE
(du lundi au vendredi)**

L'utilisation de paliers et de pièces de moteur Clevite®, et de joints d'étanchéité Victor Reinz® dans des avions ou d'autres types d'équipement spécialisé peut contrevenir aux lois et aux différentes réglementations municipales, provinciales ou fédérales.

Ces produits sont conçus uniquement pour les véhicules automobiles. Ces produits ne doivent en AUCUN cas être utilisés pour des applications autres que les véhicules automobiles, y compris, mais sans s'y limiter, des moteurs d'avion, du matériel médical, des instruments ou des réacteurs d'énergie atomique.

Les lois municipales, provinciales et fédérales restreignent le retrait, la mise hors de fonctionnement et, dans certains cas, la modification des dispositifs ou des systèmes antipollution installés en usine. L'État de Californie limite l'utilisation de pièces qui pourraient accroître les émissions polluantes des véhicules conçus pour circuler sur les voies

ou autoroutes publiques.

Il est strictement interdit de vendre — ou d'installer sur des véhicules dotés d'un système antipollution — certains composants antipollution non approuvés par le California Air Resources Board et qui modifient la conception ou la performance d'origine du système antipollution de ces véhicules. Certaines des pièces figurant dans ce catalogue peuvent être assujetties à de telles restrictions. Ces pièces sont destinées uniquement aux véhicules hors route utilisés dans des épreuves de compétition ou à d'autres types de véhicules non touchés par les lois en vigueur sur le contrôle des émissions. L'installation de ces pièces sur des véhicules assujettis aux lois sur le contrôle des émissions peut être interdite.

MAHLE Aftermarket recommande de prendre connaissance des lois en vigueur sur le contrôle des émissions avant de procéder à l'installation de pièces complémentaires ou modifiées.

Téflon et Viton sont des marques déposées de DuPont Corporation.

Mode d'utilisation de ce catalogue

Ce catalogue se divise en deux sections : les trousse de moteur et les blocs-moteurs.

Section des trousse de moteur: cette section est présentée par série; utiliser l'index de chaque section pour trouver la trousse de moteur désirée. Chaque bloc donne les renseignements pertinents suivants pour le numéro de trousse en question :

1. Détails de l'application et numéro de ligne
2. Description du produit
3. Numéro de trousse
4. Nomenclature

LINE #	NOTES	PART DESCRIPTION	OVERHAUL	QTY	IN-FRAME	QTY
3	4.016" 359 CID (5.9L) 6 Cyl 6B Series					3
3.1	Naturally Aspirated Engines	Kit Number	3 409-1006		409-5006	
	OE Piston Number(s) 3802060	Rebore Kit	225-3526	6	225-3526	6
	OE Rod Bearing Number(s) 3901170	Oversizes	STD-020-030-040		STD-020-030-040	
	OE Main Bearing Number(s) 3802070, 68002987AA	Connecting Rod Bearing	CB-1413P	6	CB-1413P	6
		Undersizes	P-25-50-75mm		P-25-50-75mm	4

Section des trousse de moteur: repérer le numéro de bloc correspondant au moyen de l'index des modèles situé au début de la section. Chaque bloc donne les renseignements pertinents suivants pour le numéro de trousse en question:

1. Détails de l'application et numéro de bloc
2. Modèles de moteur
3. Catégorie de produit
4. Description du produit
5. Notes sur le produit et les applications
6. Correspondances avec l'ÉO
7. Numéro de pièce
8. Quantité requise par moteur

2	1 4.016" 180 CID (3.0L) Cyl. 3 Engine Codes: '3B, 3B2.9, 3BT, 3BT2.9'					2
		3 Cylinder Components				
	Cylinder Sleeve	Repair Sleeve	3904166	6	226-4490	3
	Ring Set	Keystone Top Compression Ring	3802040		S41517	3
			3806241		S41517.020	7
			3806242		S41517.040	8
		Bearings				
	Connecting Rod	Machined Rod	3901170		CB-1413P	3

Ensembles de chemises de cylindre

Les ensembles de chemises de cylindre MAHLE Clevite comprennent les composants suivants : chemise de cylindre (humide et sèche), piston, axe de piston, anneaux de blocage, ensemble de segments de piston et bagues d'étanchéité de chemises.

Les composants en aluminium, en fer et en acier ultra robustes procurent la résistance structurelle et l'intégrité dimensionnelle voulues pour fournir une performance et une durée de vie égales à celles des composants d'équipement d'origine. Selon l'application, ces pièces sont dotées des caractéristiques conceptuelles contemporaines indiquées ci-dessous.

Pistons

1. Rainures supérieures en Ni-Résist afin de minimiser l'usure.
2. Équilibrage qui favorise un fonctionnement doux du moteur.

Axes de piston

1. En acier à haute résistance qui répond aux exigences structurelles afin de prévenir le bris ou la déflexion de l'axe.
2. Acier cémenté qui procure des surfaces d'usure de longue durée.

3. Un degré élevé de contrôle du fini dimensionnel et des surfaces sont les exigences ultimes pour obtenir robustesse et durabilité.

Segments de piston

1. Les plus récents matériaux à haute résistance sont utilisés afin de prévenir les bris causés par la fatigue du métal.
2. Le fini extérieur est plaqué chrome et molybdène pour former des surfaces d'usure d'une grande durabilité.
3. Les segments racleurs en acier chromé et nitruré favorisent un bon contrôle de l'huile.

Chemises

1. Le matériau des chemises est soigneusement fabriqué pour favoriser la plus grande durée de service et le plus petit degré d'usure possible.
2. Matériau thermotraité, s'il y a lieu.
3. Des coupe-feux et des nervures de joint de culasse sont compris afin d'optimiser la performance et la durabilité du joint.
4. Tous les diamètres externes sont soumis à une rectification quadrillée et plane afin d'optimiser la qualité et l'étanchéité des surfaces pour les segments de piston.

Bagues d'étanchéité de chemises

1. Des composés de pointe sont utilisés pour offrir une bonne résistance à la compression et au durcissement thermique, aux déchirures et aux fuites.
2. Les configurations circulaires, rectangulaires et carrées sont conçues pour répondre aux besoins des différents moteurs



Pour moteurs non chemisés

Les nécessaires de réalésage MAHLE Clevite comprennent les composants suivants : pistons, axes de piston, anneaux de blocage et segments de piston. Selon l'application, ces pièces sont dotées des caractéristiques conceptuelles contemporaines indiquées ci-dessous.

Pistons

1. Rainures supérieures en Ni-Résist afin de minimiser l'usure.
2. Équilibrage qui favorise un fonctionnement doux du moteur.

Axes de piston

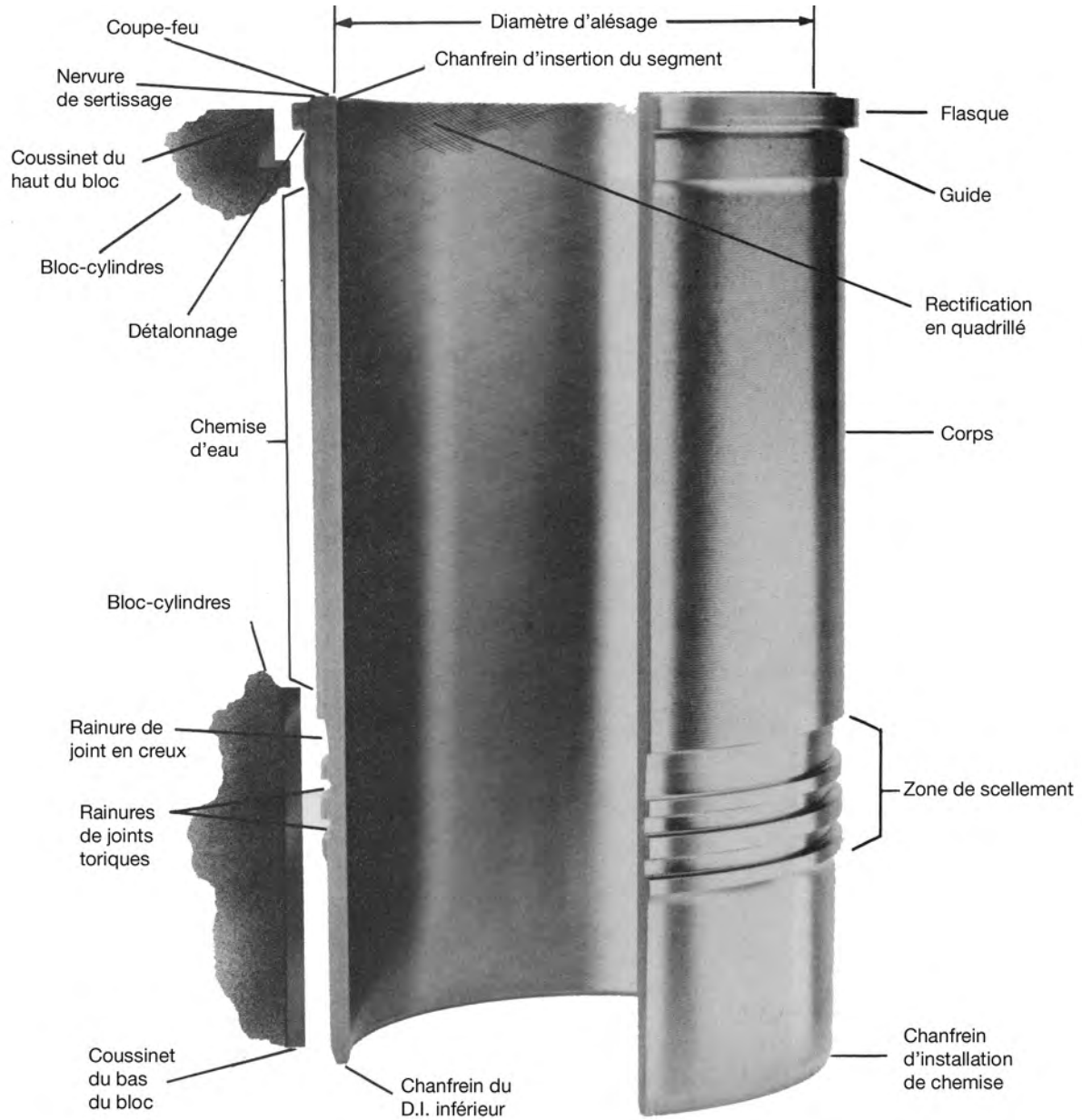
1. En acier à haute résistance qui répond aux exigences structurales afin de prévenir le bris ou la déflexion de l'axe.
2. Acier cémenté qui procure des surfaces d'usure de longue durée.
3. Un degré élevé de contrôle du fini dimensionnel et des surfaces sont les exigences ultimes pour obtenir robustesse et durabilité.

Segments de piston

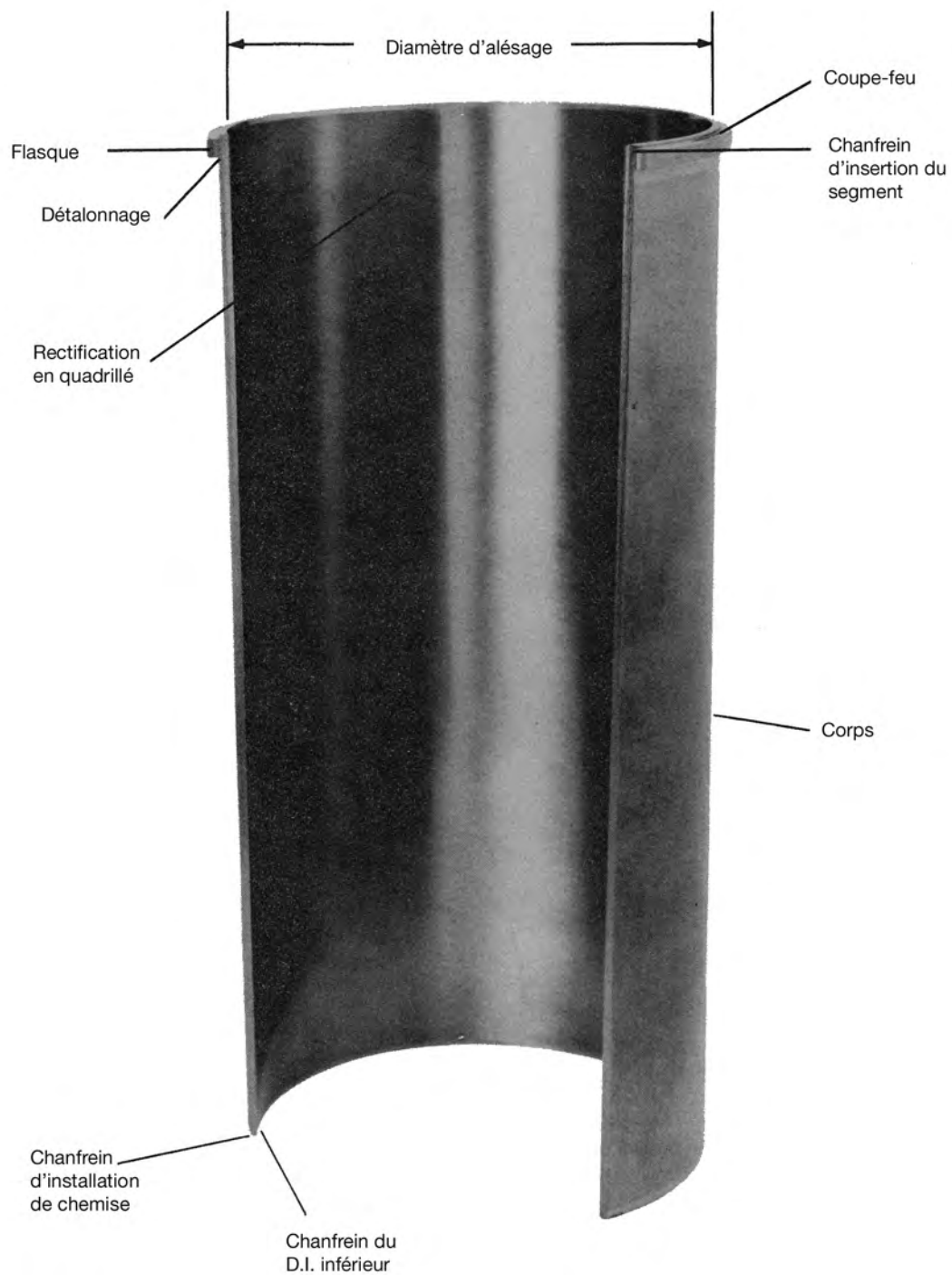
1. Les plus récents matériaux à haute résistance sont utilisés afin de prévenir les bris causés par la fatigue du métal.
2. Le fini extérieur est plaqué chrome et molybdène pour former des surfaces d'usure d'une grande durabilité.
3. Les segments racleurs en acier chromé et nitruré favorisent un bon contrôle de l'huile.



Nomenclature de la chemise humide

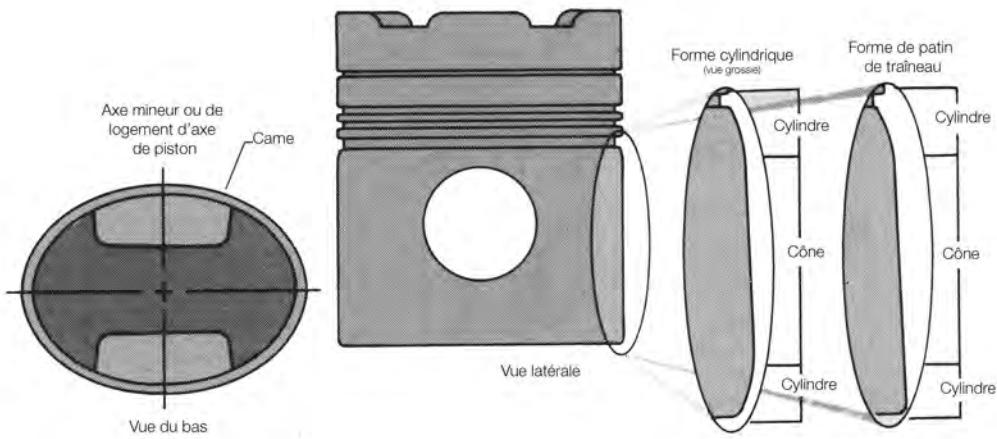
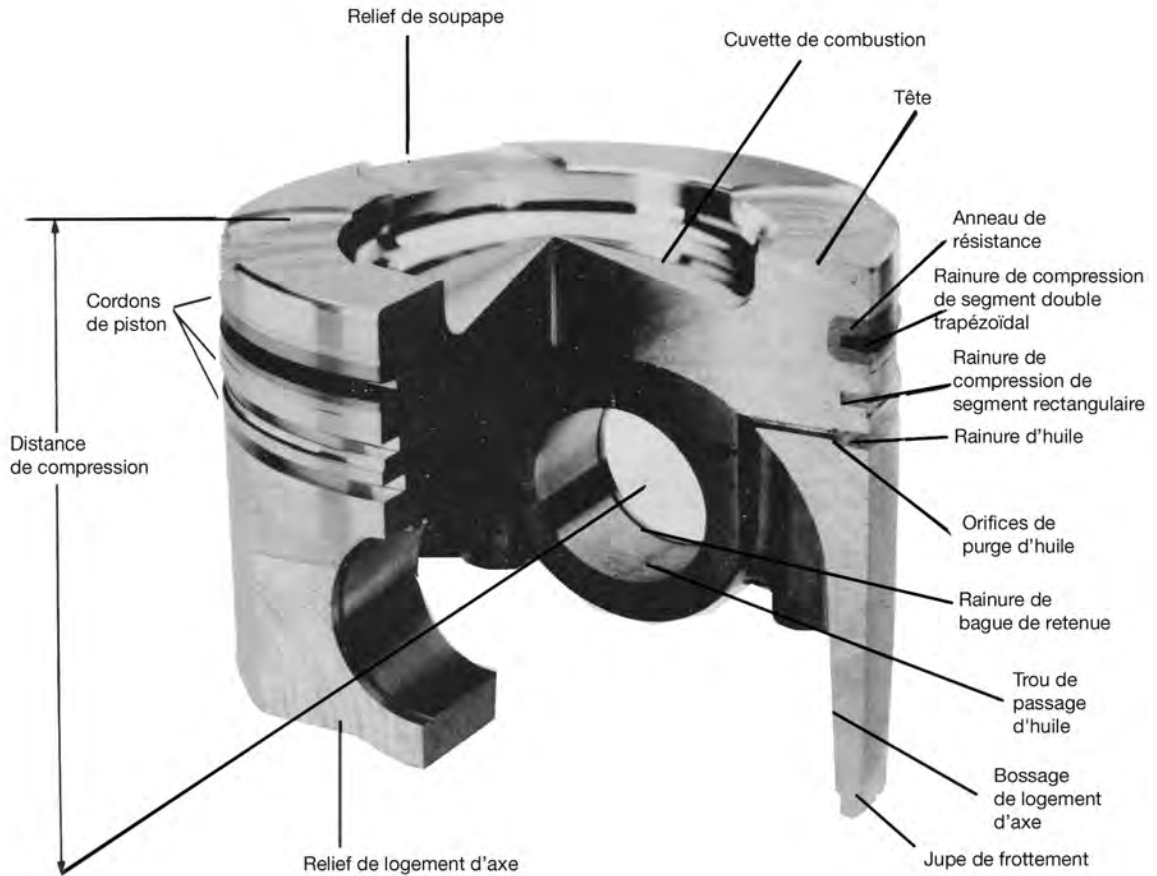


Nomenclature de la chemise sèche

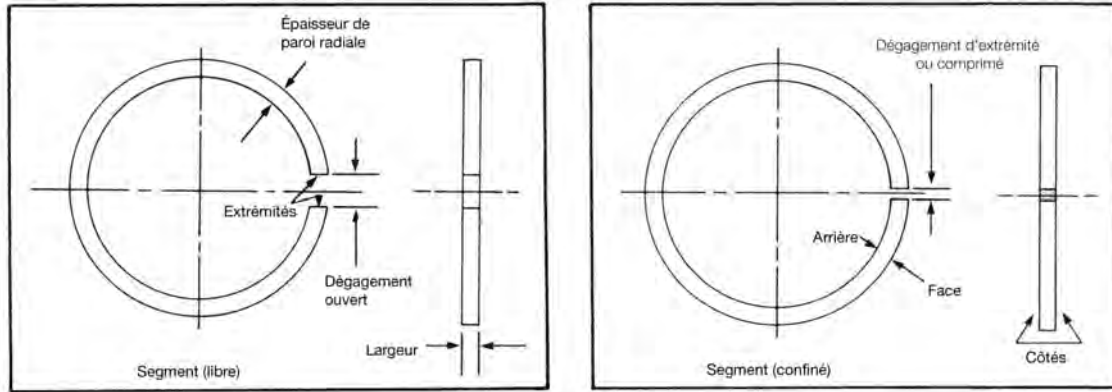


français

Nomenclature du piston

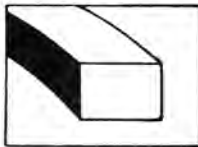


Styles de segments de piston



français

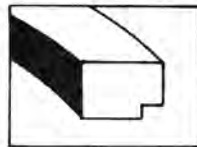
Styles de segments de piston



Rectangulaire
Compression ordinaire



Face arrondie



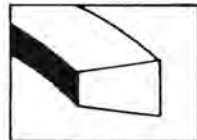
Racleur



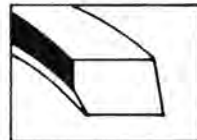
À épaulement intérieur



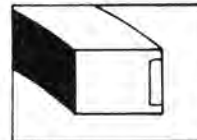
Face oblique



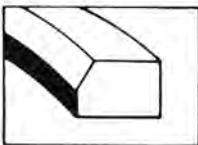
Double trapézoïdal



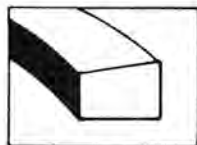
Face oblique
Diagonale inversée



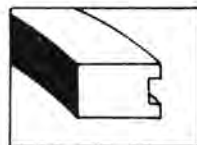
Avec molybdène



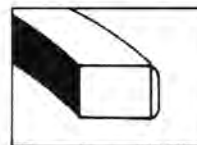
Biseau interne



Demi-trapézoïdal

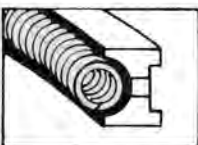


Demi-trapézoïdal

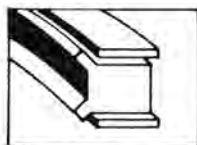


Plaqué chrome

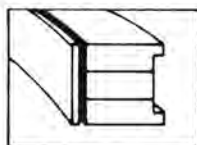
Styles de segments racleurs d'huile



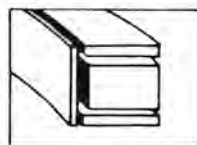
À ressort
En fonte



À butée
Rail et extenseur
circonférentiel

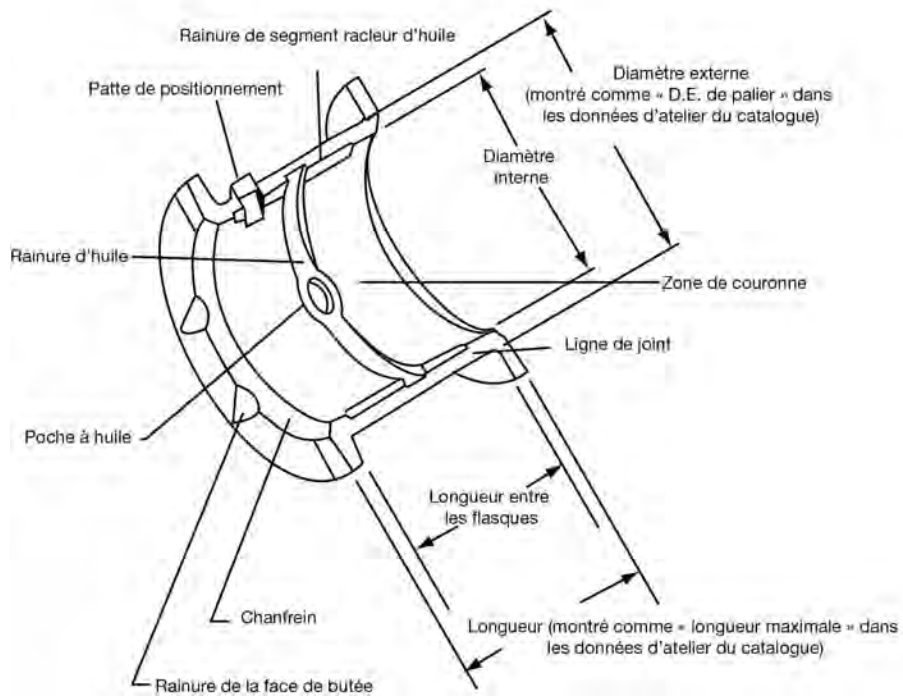
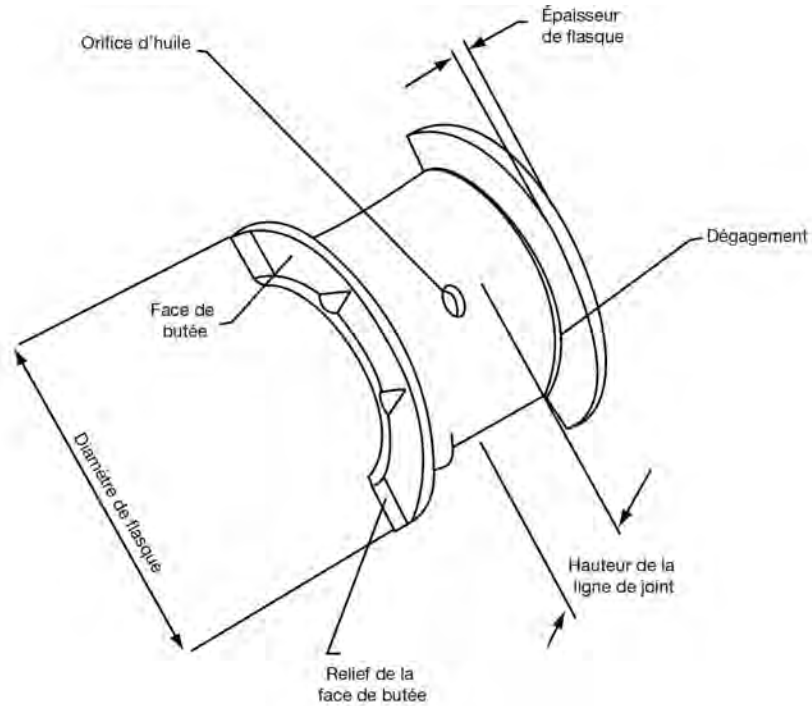


Ventilé
Double cordon, rainure -
extenseur optionnel



Multi pièce
Rail, extenseur,
extenseur

Nomenclature des paliers



Terminologie relative aux paliers

Diamètre externe de palier ou alésage de carter

Le diamètre minimal ou maximal de l'orifice pratiqué dans le bloc-moteur ou la bielle.

Tassement

Lorsque le palier est à moitié inséré à sa place dans l'alésage du carter, un peu du coussinet dépasse de l'alésage du carter. Une fois que l'assemblage est serré selon les spécifications recommandées, une pression s'exerce sur le D.E. du palier, entraînant l'effet d'une insertion à la presse. Le tassement contribue aussi à la distorsion de l'alésage ainsi qu'au transfert thermique en augmentant le contact de surface avec le palier et l'alésage. Les paliers de haute performance Clevite ont un tassement accru pour favoriser un meilleur transfert thermique et une bonne rétention. Le degré de tassement varie selon l'application.

Excentricité

Une réduction graduelle de l'épaisseur de la paroi d'un palier, de la couronne jusqu'à environ 0,380 po des lignes de joint.

Rainure annulaire pleine

Palier comportant une rainure d'huile pratiquée depuis sa ligne de joint jusqu'à la ligne de joint de la surface interne de la demi-coque. Lorsque les deux moitiés rainurées sont jointes, une rainure se crée dans la surface interne sur toute la circonférence du palier.

Diamètre interne

The distance between the inner surfaces of the assembled bearing.

Jeu A/B principal

Jeu d'anneaux de butée principal.

Longueur maximale du palier

La longueur maximale qu'un palier peut avoir (flasque comprise, le cas échéant). La longueur réelle est normalement moindre.

Diamètre d'arbre standard

Diamètre minimum à maximum d'un tourillon de vilebrequin principal standard, d'un tourillon de bielle ou d'une portée d'arbre à cames.

Jeu fonctionnel vertical

La différence, après assemblage, entre le diamètre interne du palier et le diamètre externe de l'arbre, mesuré à partir d'un angle de 90° des lignes de joint du palier.

Terminologie relative aux ensembles de joints d'étanchéité

Ensemble complet de joints d'étanchéité

Comprend tous les joints d'étanchéité normalement requis pour un démontage complet du moteur ou une révision complète au banc, y compris les bagues d'huile standards avant et arrière.

Ensemble de joints d'étanchéité pour révision sur le véhicule

Comprend tous les joints d'étanchéité normalement requis pour faire une révision complète directement sur le véhicule. Comprend tous les joints requis pour la dépose et le remplacement d'une culasse et de tous les cylindres, ainsi que le joint de carter

Ensemble de joints de culasse

Comprend tous les joints d'étanchéité requis pour la dépose et le remplacement d'une culasse. Au moment de commander des ensembles de joints de culasse, il faut faire attention, car les ensembles peuvent être offerts pour un seul cylindre, pour tous les cylindres ou pour un moteur complet. Il arrive parfois que plusieurs ensembles soient nécessaires pour réparer tous les cylindres d'une culasse sur un moteur. Certains ensembles de joints de culasse offerts comportent des joints surdimensionnés pour compenser l'usinage des composants.

Ensemble de joints de carter d'huile

Comprend tous les joints d'étanchéité requis pour la dépose et le remplacement d'un carter d'huile.

Joint de culasse

Comprend un seul joint de culasse, mais aucun joint auxiliaire. Ces derniers sont offerts séparément pour les applications populaires. Certains joints de culasse offerts sont surdimensionnés pour compenser l'usinage des composants.

Ensemble pour carter de distribution

Comprend tous les joints et bagues d'étanchéité standard normalement requis pour accéder aux chaînes de distribution ou aux engrenages et pour les réparer. Certains ensembles comportent aussi des manchons pour la réparation du vilebrequin.

Ensemble de joints de tubulure

Comprend tous les joints d'étanchéité normalement requis pour la dépose et le remplacement d'une tubulure d'admission ou d'échappement. Les ensembles pour tubulure d'admission et pour tubulure d'échappement doivent être commandés séparément et sont offerts pour les applications populaires.

Ensemble pour couvercles de soupapes et couvercles de tiges de culbuteurs

Comprend tous les joints d'étanchéité normalement requis pour la dépose et le remplacement des couvercles de soupapes ou de tiges de culbuteurs. Les ensembles pour couvercles de soupape et les ensembles pour couvercles de tiges de culbuteurs doivent être commandés séparément et sont offerts pour les applications populaires.

Les numéros figurant sous les rubriques ci-dessous correspondent aux numéros d'identification des pièces figurant dans les pages suivantes. Ces numéros vous aident à trouver nos numéros de pièce, la nomenclature, le préfixe ou le suffixe des pièces courantes de notre ligne de produits

Engine

Série	Description
211-1000	Soupapes
212-1000	Ressorts de soupape
213-1000	Poussoirs de soupape
214-1000	Pièces de culbuteur
214-2000	Culbuteurs
215-4000	Tiges de culbuteur
216-1000	Joints de tiges de soupape
216-2000	Mécanismes rotatifs
216-3000	Assemblages de couvercles rotatifs
216-4000	Dispositifs de retenue de ressorts de soupape
216-5000	Clavettes de soupape
216-7000	Pièces de fixation de moteur
217-3000	Guide-soupapes
218-3000	Sièges de soupape rapportés
219-	Bouchons expanseurs
223-1000	Axes de piston
223-3000	Coussinets d'axes de piston
223-5000	Bagues de blocage
223-7000	Joints toriques
223-8000	Cales, bagues rapportées
224-1000	Pistons
226-1000	Assemblages de chemise
226-4000	Chemises
226-8000	Chemises de rechange
229-1000	Arbres à cames
230-1000	Assemblages de culbuteurs
230-3000	Axes de culbuteurs
247-5000	Vilebrequins
601-3000	Refroidisseurs d'huile
A-B-C	Ressorts de soupape rapportés
8-	Pignons de distribution
9-	Roues dentées et chaînes
S-	Roues dentées de pignon de distribution

Filtres

OC	Filtre à huile
KC	Filtre

Suffixe – turbocompresseurs

-000	Pièce neuve
-100	Pièce réusinée selon les normes de l'ÉO

Joints d'étanchéité

Série	Description
40000 & 60000	Joints principaux arrière/de carter de distribution
43-5999	Joints de culasse (simple)
CH-	Joints de culasse (multiple)
CS-	Ensemble pour conversion « inférieure »
EK-	Ensemble pour révision au banc
FS-	Ensembles complets de joints d'étanchéité
HS-	Ensemble de joints de culasse « supérieurs »
JV-	Ensemble de joints principaux arrière ou pour carter de distribution
MS-	Ensemble pour tubulure d'admission ou d'échappement
OS-	Ensemble de joints d'étanchéité de carter d'huile
PS-	Ensemble de joints d'étanchéité de couvre-tiges de culbuteurs (latérales)
SS-	Joint principal avant ou arrière (avec chemise de rechange)
VS-	Ensemble de joints de couvercle de culasse

Paliers

223-3000	Coussinets d'axes de piston
CB-	Palier de bielle
MB-	Palier de vilebrequin individuel
MS-	Ensemble de paliers de vilebrequin
SH-	Palier de came
SM-	Ensemble de cales d'espacement
TW-	Anneau de butée

Suffixes des paliers

-AL	Alliage d'aluminium ou joint renforcé d'une garniture en alliage d'aluminium
-B	Acier ou bronze renforcé d'une garniture antifriction
-C	Acier renforcé d'une garniture en cuproplomb
-G	Acier renforcé d'une matrice en cuproplomb trimétal
-F	Palier à flasque
-M	Acier renforcé d'une microgarniture antifriction
-P	Couche intermédiaire trimétal en alliage de cuproplomb avec renfort d'acier et doublage électroplaqué en plomb étamé de 0,001 po
-S	Indique un « ensemble »
-W	Anneau de butée — WL-inférieure, WU-supérieure

Tabla de Contenido

Servicio Técnico	Pag.	30
Como utilizar este catálogo	Pag.	31
Ensamblados	Pag.	32
Pistones con anillos y componentes del tren valvular	Pag.	33
Nomenclaturas - camisas húmedas	Pag.	34
Nomenclaturas - camisas secas	Pag.	35
Nomenclaturas - pistones	Pag.	36
Tipos de anillos para pistón	Pag.	37
Nomenclatura - cojinetes	Pag.	38
Terminología de cojinetes	Pag.	39
Juegos de juntas	Pag.	40
Identificación de números de parte	Pag.	41
Nuevos cobertura	Pag.	43
Caterpillar	Page	48
Cummins	Page	150
Detroit Diesel	Pag.	300
Komatsu	Pag.	363
Mack	Pag.	378
Mercedes-Benz	Pag.	385
Volvo	Pag.	411
Camisas con longitud universal	Pag.	422
Tapones de monoblock	Pag.	423
Listado numérico	Pag.	427
Intercambios	Pag.	444
Localizador numérico	Pag.	575
Surtido de ligas (o-rings)	Pag.	598
Lista de medidas para ligas (o-rings)	Pag.	599
Guía de compatibilidad de fluidos para ligas (o-rings)	Pag.	600
Conversión de medidas	Pag.	601

NOTA IMPORTANTE: Todos los nombres de fabricantes, símbolos, logotipos, números y descripciones son utilizados para propósitos de referencia únicamente y no implica que se traten de los componentes de los mismos fabricantes.

Para asistencia técnica marque:
01-800-38-MAHLE (62453)
contacto.aftermarket@mx.mahle.com



**Horario: 8:00 am - 5:30 pm hora central
(Lunes - Viernes)**

El uso de productos Clevite y Victor Reinz en aeronaves u otro tipo de equipo especial, puede ser una violación de leyes locales, estatales o de la Agencia Federal de Regulaciones.

Estos productos están destinados exclusivamente para aplicaciones automotrices. Bajo ninguna circunstancia deben utilizarse en aplicaciones que no sean automotrices, incluyendo sin limitaciones a motores de aeronaves, equipos médicos, aparatos de energía atómica y reactores.

Leyes federales, estatales y locales restringen el retiro, hacer inoperante o en algunos casos la modificación de los dispositivos o sistemas de emisiones de fábrica. El estado de California restringe el uso de componentes que puedan incrementar emisiones en las unidades utilizadas en calles o carreteras publicas, además de la venta o instalación de ciertos componentes

no aprobados por el "California Air Resources Board," los cuales alteran o modifican el diseño original del sistema de control de emisiones. Algunos de los componentes indicados y ofertados para venta en este catálogo pueden encontrarse dentro de las restricciones antes descritas. Tales componentes están destinados a utilizarse en vehículos todo terreno (off-road) que participan en diferentes competencias o en otro tipo de vehículos que estan excentos de las leyes aplicables para el control de emisiones. La instalación de estos componentes en vehículos sujetos a dichas leyes pueden estar prohibidos.

MAHLE Aftermarket recomienda revisar las leyes aplicables para el control de emisiones antes de considerar la instalación de este tipo de componentes o partes modificadas.

Teflon y Viton son marcas registradas de DuPont Corporation.

Como utilizar este catálogo

Este catálogo esta dividido en dos secciones: kits para motor y bloques de motor.

Sección de kits: desgloce por serie; utilice el indice en cada sección para encontrar el kit deseado

Cada bloque tiene la siguiente información correspondiente a ese número de kit:

1. Número de línea y detalles de la aplicación para el motor
2. Descripción del producto
3. Número de kit
4. Listado de materiales

LINE #	NOTES	PART DESCRIPTION	OVERHAUL	QTY	IN-FRAME	QTY
3	4.016" 359 CID (5.9L) 6 Cyl 6B Series					3
3.1	Naturally Aspirated Engines	Kit Number	3 409-1006		409-5006	
	OE Piston Number(s) 3802060	Rebore Kit	225-3526	6	225-3526	6
	OE Rod Bearing Number(s) 3901170	Oversizes	STD-020-030-040		STD-020-030-040	
	OE Main Bearing Number(s) 3802070, 68002987AA	Connecting Rod Bearing	CB-1413P	6	CB-1413P	6
		Undersizes	P-25-50-75mm		P-25-50-75mm	4

español

Sección de bloques: localice el número de bloque correspondiente a través del índice de modelos en la parte delantera de la sección

Cada bloque tiene la siguiente información correspondiente al número de parte:

1. Número de bloque y detalles de la aplicación para el motor
2. Modelos de motor
3. Categoría de productos
4. Descripción de productos
5. Notas de productos y aplicaciones
6. Intercambios con equipo original
7. Número de parte
8. Cantidad por motor

2	1 4.016" 180 CID (3.0L) Cyl. 3 Engine Codes: '3B, 3B2.9, 3BT, 3BT2.9'					2
		3 Cylinder Components				
Cylinder Sleeve	Repair Sleeve	3904166	6	226-4490		3
Ring Set	Keystone Top Compression Ring	3802040		S41517	7	3
		3806241		S41517.020		8
		3806242		S41517.040		
		Bearings				
Connecting Rod	Machined Rod	3901170		CB-1413P		3

Ensamblés

Los ensamblés MAHLE incluyen los siguientes componentes: camisa (húmeda o seca), pistón, perno del pistón, seguros, juego de anillos para pistón y sellos o ligas.

Los componentes para equipo pesado de aluminio, hierro y acero, proporcionan la fuerza estructural y la integridad dimensional para dar un rendimiento y vida útil equivalente al de equipo original. Dependiendo de la aplicación, las características de diseño y ventajas incluidas se enlistan a continuación.

Pistones

1. Ranuras superiores con tecnología Ni-resist para controlar el desgaste de la misma.
2. Balanceados para una suave operación del motor.

Pernos para Pistón

1. Aceros de alta resistencia que cumplen con los requisitos estructurales que evitan su fractura o deformación.
2. Cuerpo endurecido que proporciona una superficie resistente al desgaste.

3. Un alto grado de control dimensional y un acabado final son los requisitos para dar fuerza y una larga vida útil.

Anillos para Pistón

1. Una nueva tecnología y materiales de alta resistencia que evitan una fractura por fatiga.
2. Superficies de contacto recubiertas con molibdeno o cromo que proporcionan superficies de larga duración.
3. Anillos de acero con cromo y nitrurados ofrecen un excelente control de aceite.

Camisas

1. Materiales cuidadosamente fabricados para dar la mayor vida útil posible con un mínimo desgaste.
2. Tratamientos térmicos cuando sean necesarios.
3. Todas las cavidades para los sellos o ligas son consideradas para un adecuado sellado, larga vida útil y gran rendimiento.
4. El terminado interno (bruñido) provee una superficie adecuada para el sellado de los anillos para pistón.

Sellos o ligas

1. Los compuestos seleccionados dan una excelente resistencia a la compresión, temperatura, además de evitar fugas.
2. Diseño redondo, rectangular o cuadrado que satisfacen las necesidades específicas de los motores.



Para Motores no Encamisados

Los kits de reparación MAHLE incluyen los siguientes componentes: pistones, anillos para pistón, seguros y pernos. Dependiendo de la aplicación, las características de diseño y ventajas incluidas se enlistan a continuación.

Pistones

1. Ranuras superiores con tecnología Ni-resist para controlar el desgaste de la misma.
2. Balanceados para una suave operación del motor.

Pernos para Pistón

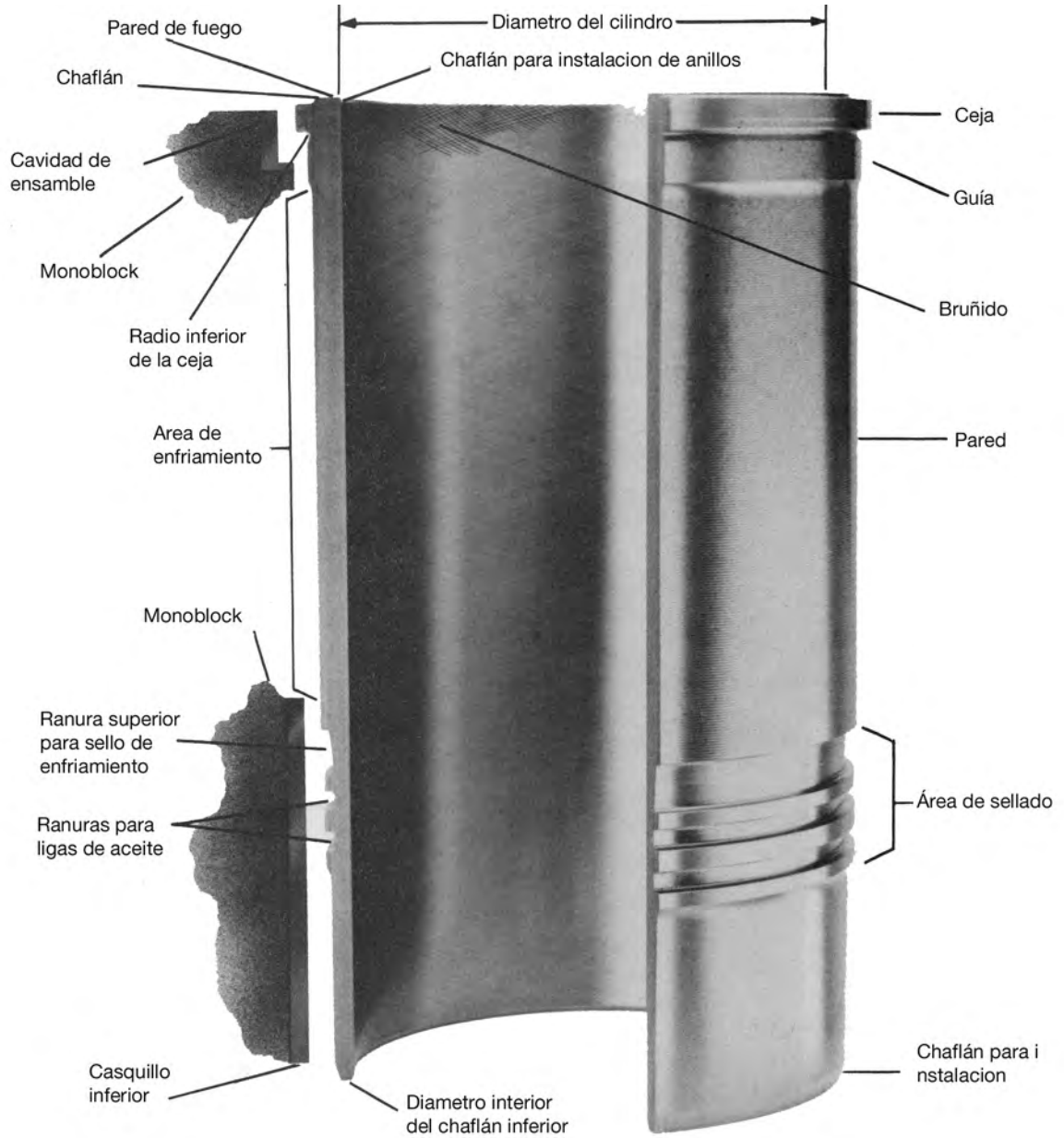
1. Aceros de alta resistencia que cumplen con los requisitos estructurales que evitan su fractura o deformación.
2. Cuerpo endurecido que proporciona una superficie resistente al desgaste.
3. Un alto grado de control dimensional y un acabado final son los requisitos para dar fuerza y una larga vida útil.

Anillos para Pistón

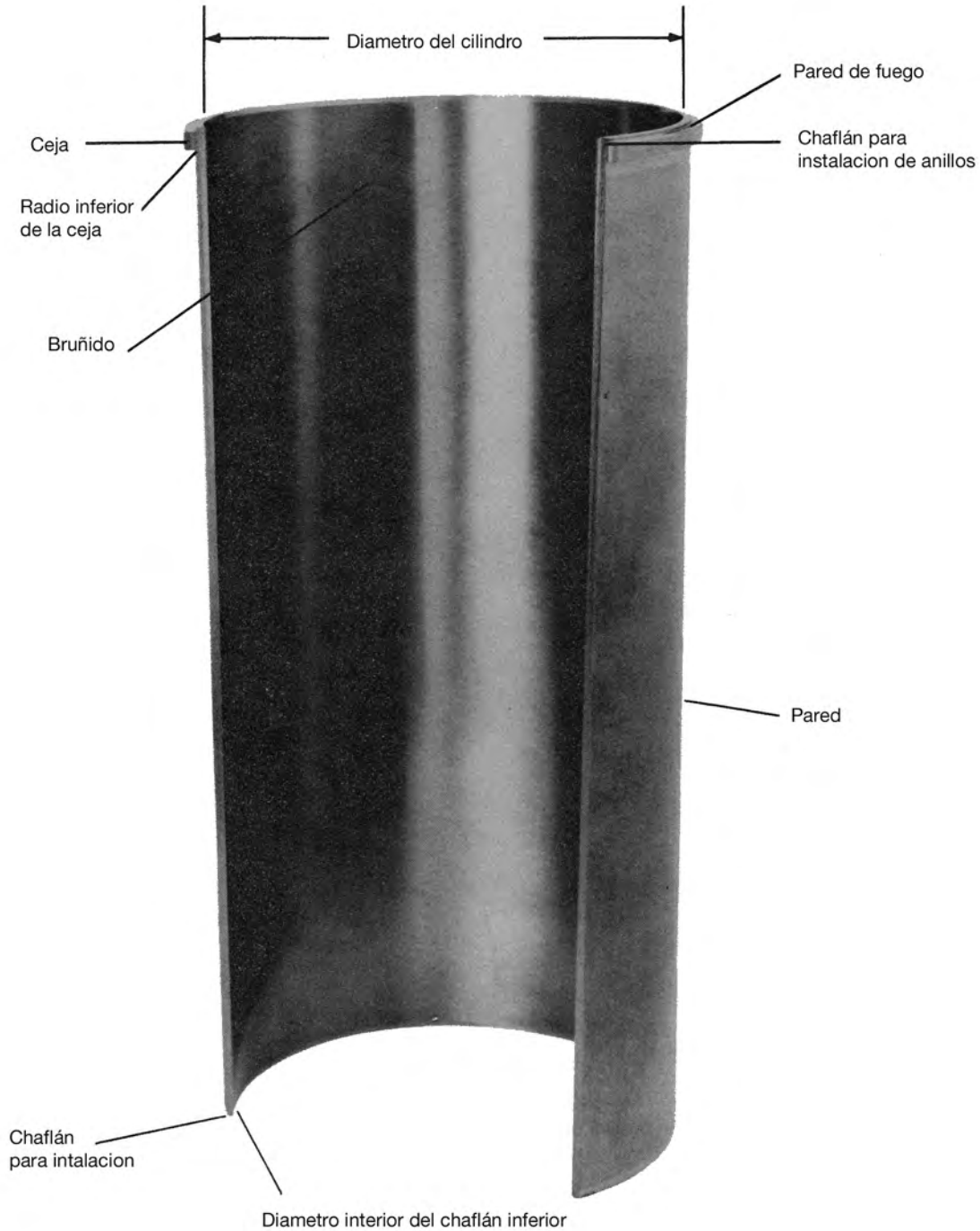
1. Una nueva tecnología y materiales de alta resistencia que evitan una fractura por fatiga.
2. Superficies de contacto recubiertas con molibdeno o cromo que proporcionan superficies de larga duración.
3. Anillos de acero con cromo y nitrurados que ofrecen un excelente control de aceite.



Nomenclatura camisas húmedas

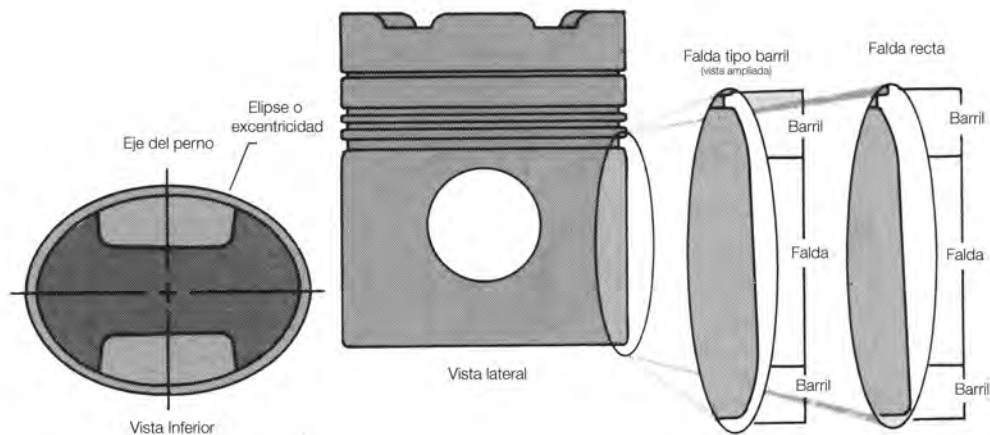
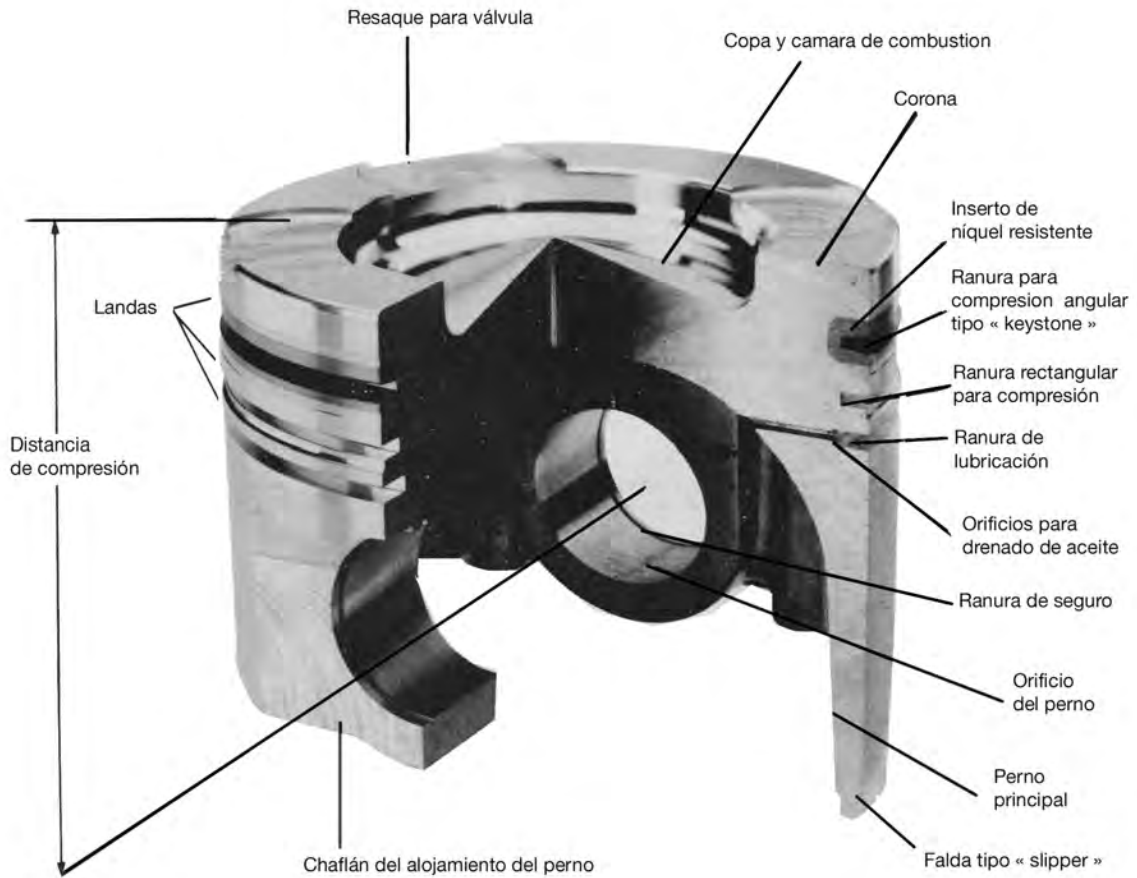


Nomenclatura camisas secas

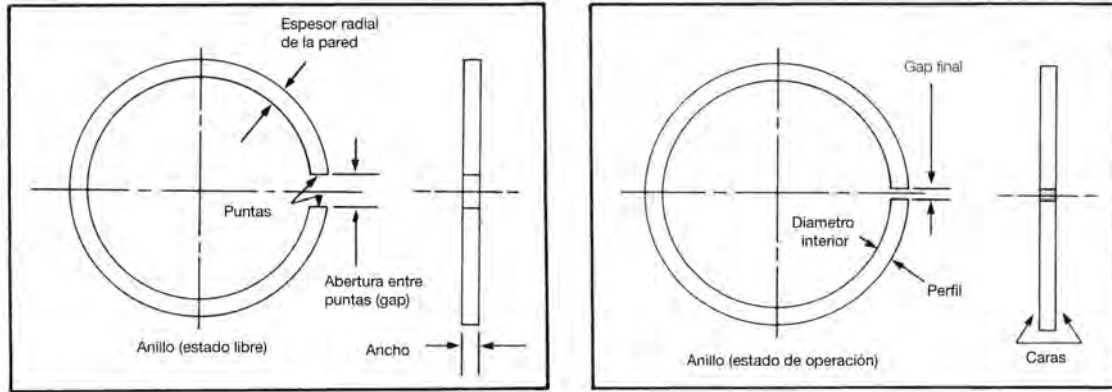


español

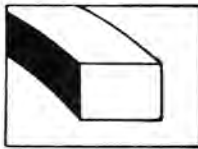
Nomenclatura Pistones



Tipos de Anillos para Pistón



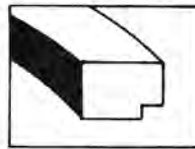
Tipos de Anillos para Compresión



Rectangular
Compresión plana



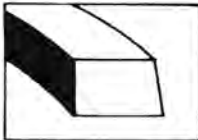
Perfil tipo barril



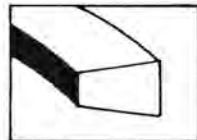
Perfil tipo rascador



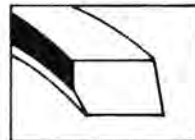
Con ranura
interior superior



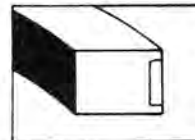
Perfil angular



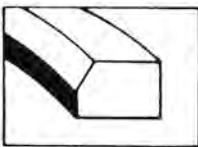
Tipo trapezoidal
« keystone »



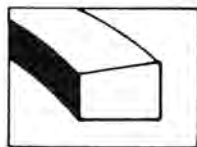
Perfil angular
Bisel opuesto



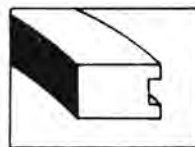
Con recubrimiento
de molibdeno



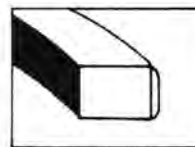
Perfil angular con bisel



Semi trapezoidal
« keystone »

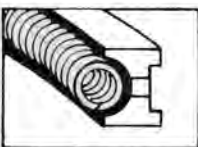


Perfil ranurado

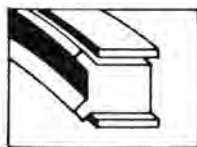


Con recubrimiento
de cromo

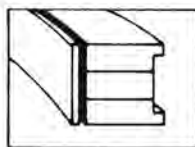
Tipos de Anillos para Control de Aceite



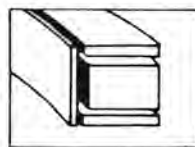
Resorte de carga
de hierro fundido



Tipo pilar
Riel y expansor
circunferencial

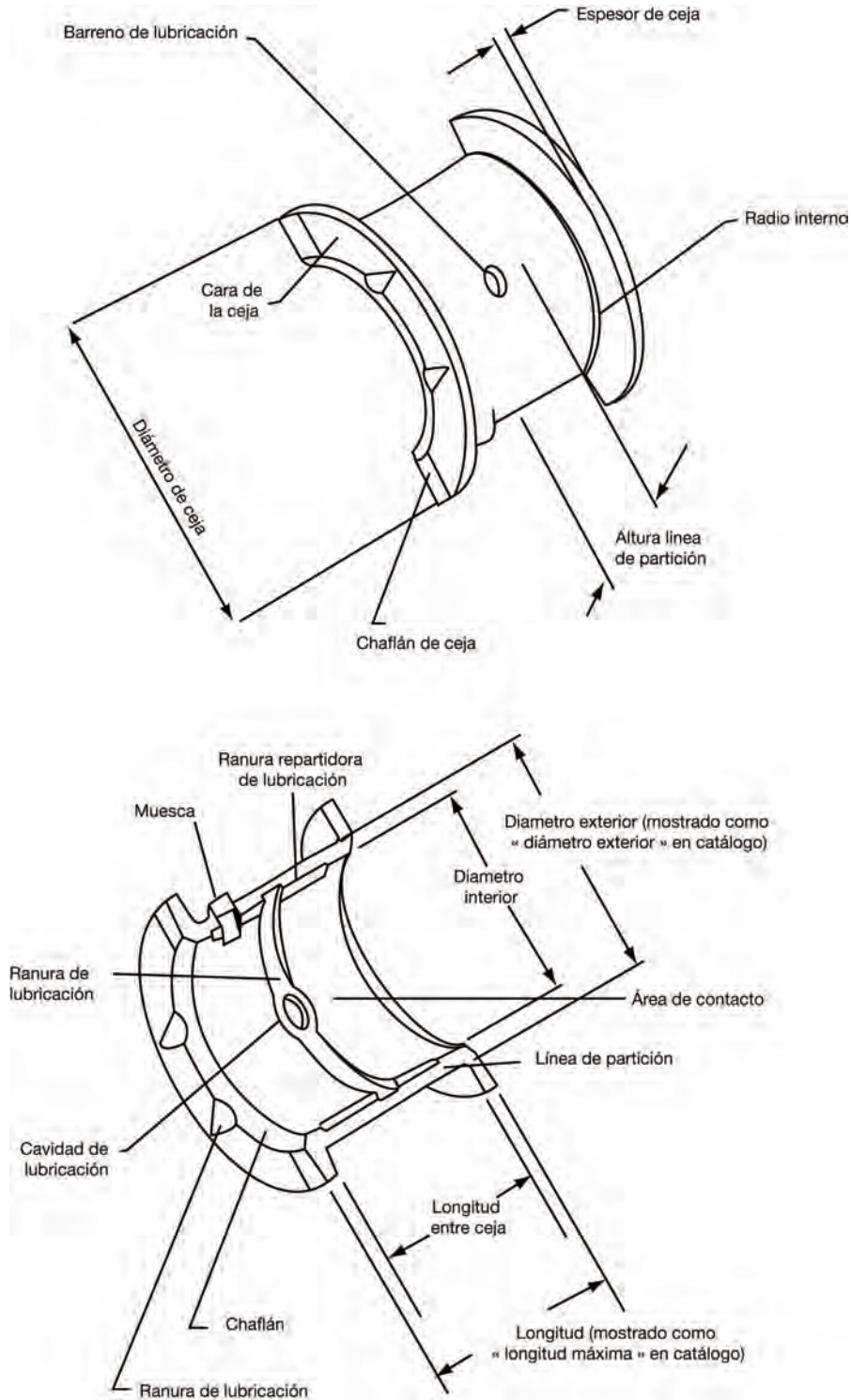


Tipo ventilado
doble ranura –
expansor opcional



Piezas múltiples
Riel, espaciador,
expansor

Nomenclatura Cojinetes



Terminología de Cojinetes

Diámetro Exterior o del Alojamiento

Indica el diámetro mínimo o máximo del alojamiento en el block o la biela.

Resaque (Crush)

Cuando el cojinete es colocado en su alojamiento, existe una pequeña saliente en la parte superior. Cuando se realiza la operación de torque a las especificaciones correctas, se ejerce una fuerza interior que origina una presión hacia el diámetro exterior, lo que ajusta al cojinete adecuadamente en su alojamiento. Este resaque o crush, también ayuda en la transferencia y disipación de temperatura, ya que se incrementa la superficie de contacto entre el cojinete y su alojamiento. Los cojinetes de alto rendimiento de Clevite cuentan con las mejores características para una mejor retención y disipación de temperatura. El resaque o crush podrá variar y dependerá de cada aplicación.

Excentricidad

Una reducción gradual en el espesor del material de fricción del cojinete que inicia justo a la mitad y termina aproximadamente a .380" de las líneas de partición.

Ranura de Lubricación

Los cojinetes cuentan con una ranura de lubricación al centro del material de fricción. Cuando las dos ranuras de unen, se crea una ranura interna de lubricación en toda la circunferencia del cojinete.

Diámetro Interno

Es la distancia entre la superficie interna del material de fricción del cojinete instalado.

Juego de Arandelas de Empuje

Juego principal de arandelas de empuje.

Longitud Máxima del Cojinete

Es la longitud máxima que el cojinete debe tener (incluyendo la ceja cuando aplique). La longitud real es generalmente menor a su valor.

Espesor Máximo de Pared

El espesor máximo del cojinete se encuentra a 90° de las líneas de partición. El espesor real es generalmente menor a su valor.

Diámetro Estándar del Muñon del Cigüeñal

Se refiere a la medida estándar mínima o máxima, de los muñones principales o de biela del propio cigüeñal o los muñones del árbol de levas.

Tolerancia de Lubricación

Es la diferencia entre el diámetro interior del ensamble de los cojinetes y el diámetro exterior del muñon del cigüeñal, medido a 90° de las líneas de partición (utilice plastigage).

Terminología Juegos de Juntas

Juego de Juntas Completo

Incluye todas las juntas necesarias para una reparación completa, incluye los retenes frontal y trasero.

Medio Juego de Juntas

Incluye todas las juntas necesarias para hacer una media reparación. Esto incluye todas las juntas para remover la cabeza de cilindros y el cárter.

Juego de Juntas para Cabeza

Incluye todas las juntas necesarias para remover e instalar la cabeza de cilindros. Debe de tenerse la precaución al solicitar el producto ya que suelen ofrecerse juegos para un solo cilindro, todos los cilindros o juegos completos de motor. Existen casos en los que se requerirán varios juegos para todas las cabezas de cilindros en un motor. Algunas juntas para cabeza están disponibles en diferentes sobre medidas con el fin de compensar el maquinado de componentes.

Juego de Juntas para Cárter

Incluye todas las juntas necesarias para remover e instalar el cárter.

Junta de Cabeza

Incluye solamente una sola junta. Están disponibles de forma separada para diferentes aplicaciones populares. Algunas juntas para cabeza están disponibles en diferentes sobre medidas con el fin de compensar el maquinado de componentes.

Juego de Juntas para Tapa de Distribución

Incluye todas las juntas y retenes que normalmente se requieren para dar servicio al sistema de distribución. Algunos juegos pueden incluir una camisa de reparación para el cigüeñal.

Juego de Juntas para Múltiples

Incluye todas las juntas necesarias para desmontar e instalar los múltiples de admisión o escape. Los juegos de admisión y escape deben ser ordenados de forma independiente y están disponibles para diferentes aplicaciones populares.

Juego de Juntas para Tapa de Punterías o Tapa de Varillas de Empuje

Incluye todas las juntas necesarias para desmontar e instalar las tapas de punterías o varillas de empuje. Estos juegos deben ser ordenados de forma independiente y están disponibles para diferentes aplicaciones populares.

Los números que aparecen a continuación con sus títulos, corresponden al número de referencia o identificación que figuran en las páginas siguientes. Éstos ayudan a identificar nuestros números de parte, nomenclatura, prefijo o sufijo y para los componentes comunes de nuestra línea de productos.

Motor

Serie	Descripción
211-1000	Válvulas
212-1000	Resorte para Válvula
213-1000	Punterías
214-1000	Componentes para Balancines
214-2000	Balancines
215-4000	Varillas de Empuje
216-1000	Sellos de Válvulas
216-2000	Mecanismo para Rotación
216-3000	Ensamble Tapa de Rotador
216-4000	Retenedores para Resortes de Válvulas
216-5000	Seguros de Válvula
216-7000	Elementos de Fijación del Motor
217-3000	Guías de Válvulas
218-3000	Asientos de Válvulas
219-	Tapones de Monoblock
223-1000	Pernos para Pistón
223-3000	Bujes para Pernos de Pistón
223-5000	Seguros
223-7000	Sellos ("O" Rings)
223-8000	Calzas, insertos
224-1000	Pistones
226-1000	Ensamblados
226-4000	Camisas
226-8000	Camisas Semi Terminadas
229-1000	Árboles de Levas
230-1000	Ensamblados de Balancines
230-3000	Eje de Balancines
247-5000	Cigüeñales
601-3000	Enfriadores para Aceite
A-B-C.....	Insertos para Resortes de Válvulas
8-	Engranajes de Distribución
9-	Catarinas (Sprockets) y Cadenas
S-	Catarinas (Sprockets) de Distribución

Filtros

OC	Filtro para Aceite
KC.....	Filtro para Combustible

Sufijos Turbocargadores

-000	Nuevo
-100	Remanufacturado a Especificaciones de Equipo Original

Juntas

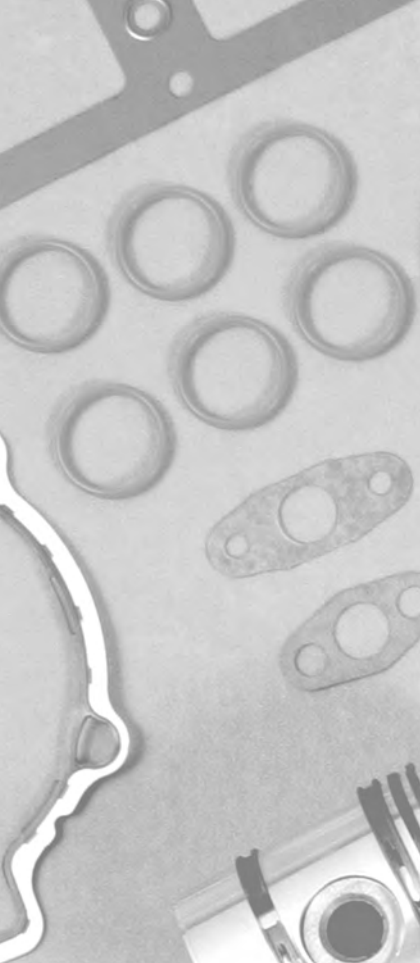
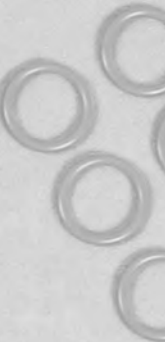
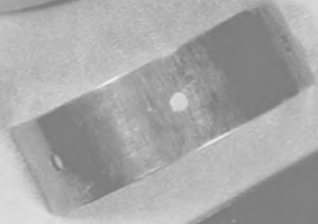
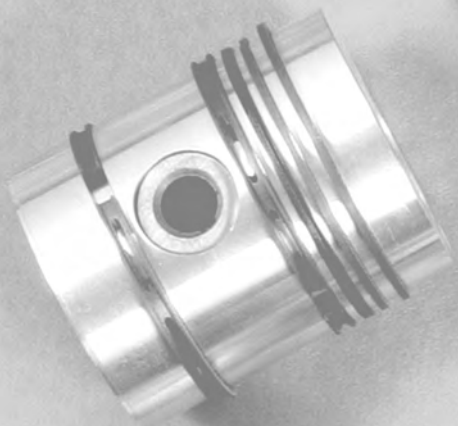
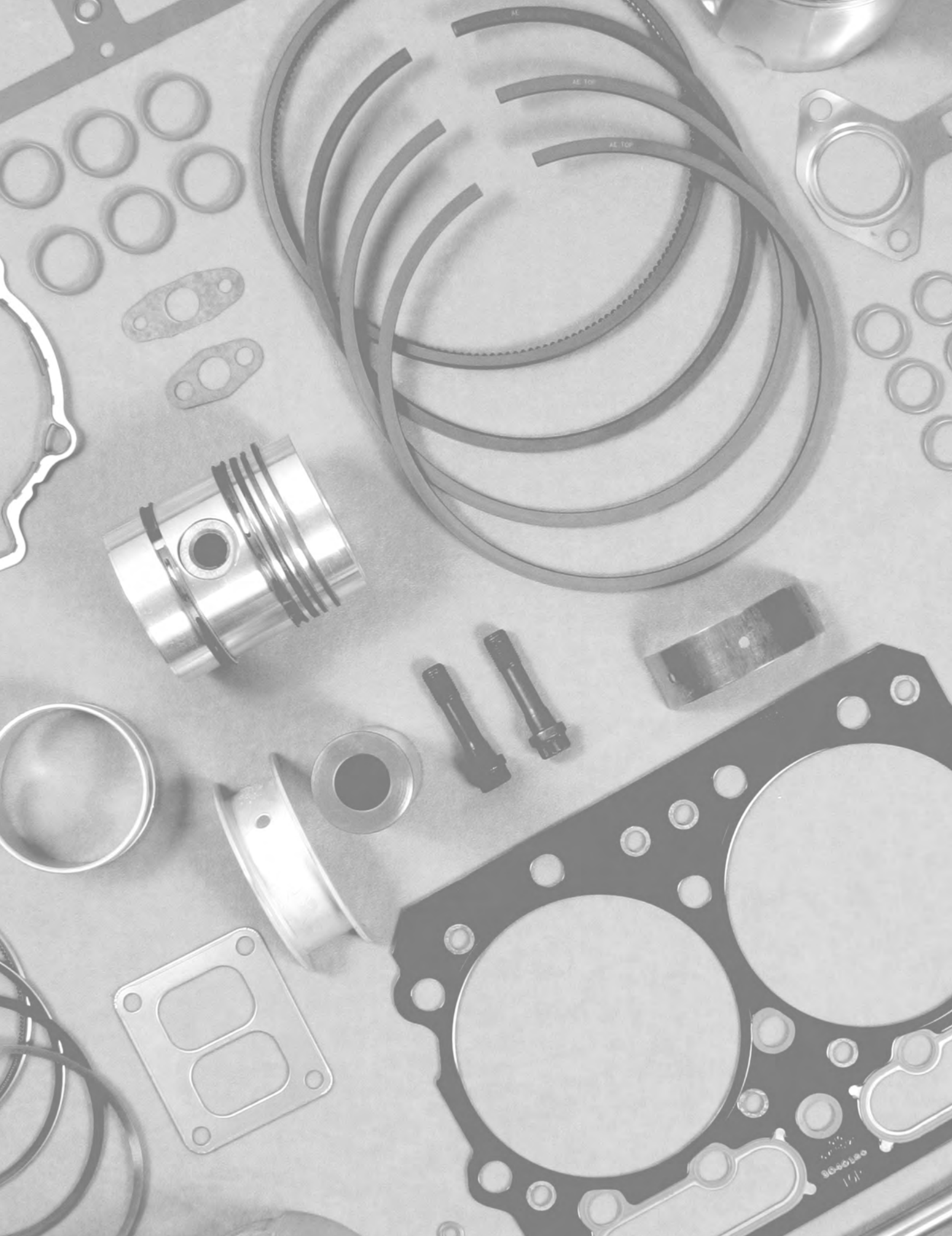
Serie	Descripción
40000 & 60000.....	Retenes Frontales/Traseros
43-5999	Junta para Cabeza de Cilindros (sencilla)
CH-	Junta para Cabeza de Cilindros (varias)
CS-	Juego para Conversión "Inferior"
EK-	Juegos de Media Reparación
FS-	Juego de Juntas Completo
HS-	Juego de Juntas para Cabeza "Superior"
JV-	Juegos de Reten Trasero o Tapa de Distribución
MS-	Juegos para Múltiples de Admisión o Escape
OS-	Juegos de Juntas para Cáster
PS-	Juego de Juntas para Tapa de Varillas de Empuje (lateral)
SS-	Sello Frontal o Trasero (incluye camisa)
VS-	Juego de Juntas para Tapa de Balancines

Cojinetes

223-3000	Bujes para Pernos de Pistón
CB-	Cojinetes de Biela
MB-	Cojinete Individual de Bancada
MS-	Juego de Cojinetes de Bancada
SH-	Cojinete de Árbol de Levas
SM-	Juego de Arandelas
TW-	Arandelas de Empuje

Sufijo Cojinetes

-AL	Aleación de Aluminio o Revestimiento de Aleación de Aluminio
-B.....	Respaldo de Acero o Bronce con Revestimiento de Babbit
-C.....	Respaldo de Acero con Revestimiento de Cobre - Plomo
-G.....	Respaldo de Acero con Revestimiento TriMetal Cobre - Plomo
-F	Cojinete con Ceja
-M	Respaldo de Acero con Revestimiento de Micro Babbit
-P	Respaldo de Acero con Capa Intermedia TriMetal Cobre - Plomo y Revestimiento de .001" de Babbit
-S	Indica "Juego"
-W	Arandela WL-Inferior, WU-Superior



3800180
1/1

Cylinder Components		
Cylinder Sleeve Assembly	Manufacturer	Line No.
226-1739	DETROIT DIESEL	17, 18, 19, 20
226-1990	DETROIT DIESEL	21, 22, 23
226-1991	DETROIT DIESEL	22, 23
226-1992	DETROIT DIESEL	21, 22, 23
226-1993	DETROIT DIESEL	22, 23
226-2021	KOMATSU	1, 2
226-2022	KOMATSU	1, 2
226-2023	KOMATSU	2
226-2027	VOLVO	4
226-2028	VOLVO	8, 1
226-2032	KOMATSU	5
226-2044	DETROIT DIESEL	24
226-2045	DETROIT DIESEL	24
226-2046	DETROIT DIESEL	24
226-2048	CATERPILLAR	49
226-2054	CATERPILLAR	49
226-2058	CUMMINS	12, 13
226-2079	MERCEDES-BENZ	6
226-2080	MERCEDES-BENZ	6
226-2081	MERCEDES-BENZ	6
226-2082	MERCEDES-BENZ	6
226-2083	MERCEDES-BENZ	7, 8
226-2086	MERCEDES-BENZ	1
226-2087	VOLVO	1

Cylinder Sleeve	Manufacturer	Line No.
226-4568	KOMATSU	3
226-4570	KOMATSU	7
226-4572	KOMATSU	3, 4
226-4581	VOLVO	2, 3, 5, 6, 8, 10, 11, 12, 1
226-4583	DETROIT DIESEL	24

Cylinder Sleeve (Bare)	Manufacturer	Line No.
226-4615	MACK	2, 4, 5

Cylinder Sleeve (Dry)	Manufacturer	Line No.
226-4569	KOMATSU	5
226-4571	KOMATSU	1, 2

Cylinder Block Repair Bushing	Manufacturer	Line No.
223-8146	CATERPILLAR	50, 52

Piston	Manufacturer	Line No.
223-4000	DETROIT DIESEL	21, 22, 23, 24
224-3364WR	MERCEDES-BENZ	3
224-3366WR	MERCEDES-BENZ	3
224-3379	KOMATSU	3
224-3380	KOMATSU	3
224-3381	KOMATSU	4
224-3382	KOMATSU	3, 4
224-3383	KOMATSU	3
224-3384	KOMATSU	3, 4
224-3385	KOMATSU	5
224-3386	KOMATSU	5

Cylinder Components (cont.)		
Piston	Manufacturer	Line No.
224-3387	KOMATSU	7
224-3388	KOMATSU	7
224-3389	KOMATSU	1, 2
224-3390	KOMATSU	1, 2
224-3391	KOMATSU	2
224-3501	DETROIT DIESEL	12
224-3502	DETROIT DIESEL	12
224-3585WR	MERCEDES-BENZ	4
224-3627	DETROIT DIESEL	21, 22, 23
224-3628	DETROIT DIESEL	22, 23
224-3629	DETROIT DIESEL	21, 22, 23
224-3630	DETROIT DIESEL	22, 23
224-3738	DETROIT DIESEL	24
224-3739	DETROIT DIESEL	24
224-3740	DETROIT DIESEL	24
224-3741	DETROIT DIESEL	24
224-3802	CUMMINS	9
224-3836	MERCEDES-BENZ	6
224-3837	MERCEDES-BENZ	6
224-3838	MERCEDES-BENZ	6
224-3839	MERCEDES-BENZ	6
224-3840	MERCEDES-BENZ	13
224-3841	MERCEDES-BENZ	7, 8
224-3842	MERCEDES-BENZ	7, 8

Piston (Bare)	Manufacturer	Line No.
224-3641X	CATERPILLAR	49
224-3748X	CATERPILLAR	33, 40
224-3750X	CATERPILLAR	51
224-3751X	CATERPILLAR	51
224-3791X	CATERPILLAR	13
224-3803X	CATERPILLAR	13
224-3804X	CATERPILLAR	13

Rebore Kit	Manufacturer	Line No.
225-3836	MERCEDES-BENZ	6
225-3837	MERCEDES-BENZ	6
225-3838	MERCEDES-BENZ	6
225-3839	MERCEDES-BENZ	6
225-3841	MERCEDES-BENZ	7, 8
225-3842	MERCEDES-BENZ	7, 8

Piston Crown	Manufacturer	Line No.
224-3738X	DETROIT DIESEL	24
224-3739X	DETROIT DIESEL	24
224-3740X	DETROIT DIESEL	24
224-3741X	DETROIT DIESEL	24

Piston Skirt	Manufacturer	Line No.
224-3583	DETROIT DIESEL	21, 22, 23
224-3714X	CATERPILLAR	11
224-3743X	DETROIT DIESEL	24
224-3794X	CATERPILLAR	12, 13

Ring Set	Manufacturer	Line No.
3007KM	MERCEDES-BENZ	6
42209	MERCEDES-BENZ	2
42210	MERCEDES-BENZ	7, 8

Cylinder Components (cont.)

Ring Set	Manufacturer	Line No.
S42064	KOMATSU	1, 2
S42065	KOMATSU	1, 2
S42127	MERCEDES-BENZ	9, 10
S42132	DETROIT DIESEL	24
S42133	DETROIT DIESEL	24
S42170	CUMMINS	5, 8
S42181	CATERPILLAR	49
S42220	MERCEDES-BENZ	11, 12, 13
S42221	CUMMINS	4, 6
S42223	CATERPILLAR	49

Piston Pin	Manufacturer	Line No.
223-1850	DETROIT DIESEL	22, 23
223-1851	DETROIT DIESEL	21, 22, 23
223-1933	DETROIT DIESEL	24
223-1964	CATERPILLAR	13
223-1965	MACK	5

Lock Ring	Manufacturer	Line No.
223-5531	CATERPILLAR	49
223-5543	CATERPILLAR	13, 14
223-5547	CATERPILLAR	13

Sleeve O-Ring Kit	Manufacturer	Line No.
223-7206	KOMATSU	3, 4

Sealing Shim	Manufacturer	Line No.
223-8015	CATERPILLAR	49, 51
223-8016	CATERPILLAR	49, 51
223-8017	CATERPILLAR	49, 51

Engine Gaskets

Engine Full Gasket Set	Manufacturer	Line No.
95-3614VR	MERCEDES-BENZ	3, 4
FS54157-A	DETROIT DIESEL	24
FS54838	MERCEDES-BENZ	8

Engine Cylinder Head Gasket Set	Manufacturer	Line No.
95-3623VR	CUMMINS	5
HS54626	KOMATSU	7
HS54626A	KOMATSU	7
HS54631	KOMATSU	7
HS54637	VOLVO	4
HS54637A	VOLVO	2, 3, 5, 7, 9, 10, 11, 12
HS54638	KOMATSU	4
HS54638A	KOMATSU	4
HS54650	KOMATSU	3
HS54816	MERCEDES-BENZ	1
HS54831-1	MACK	2, 4, 5
HS54831-2	MACK	5
HS54831-3	MACK	5
HS54836	MERCEDES-BENZ	6
HS54841-1	CATERPILLAR	13
HS54841-2	CATERPILLAR	13

Engine Gaskets (cont.)

Engine Cylinder Head Gasket Set	Manufacturer	Line No.
HS54841-3	CATERPILLAR	13
HS54841-4	CATERPILLAR	13
HS5858-4	CUMMINS	33

Engine Conversion Gasket Set	Manufacturer	Line No.
CS54626	KOMATSU	7
CS54626A	KOMATSU	7
CS54631	KOMATSU	7
CS54637	VOLVO	4
CS54637A	VOLVO	2, 3, 7, 9, 10, 11, 12
CS54638	KOMATSU	4
CS54638A	KOMATSU	4
CS54643-3	CATERPILLAR	49
CS54831-1	MACK	5
CS54831-2	MACK	5
CS54831-3	MACK	5
CS54841-1	CATERPILLAR	12, 13
CS54841-2	CATERPILLAR	13
CS54841-3	CATERPILLAR	13

Engine Cylinder Head Gasket	Manufacturer	Line No.
54626	KOMATSU	7
54631	KOMATSU	7
54637	VOLVO	2, 3, 5, 7, 9, 10
54638	KOMATSU	4
54650	KOMATSU	3
54744	MERCEDES-BENZ	9
54774	CUMMINS	9
54778	KOMATSU	3
54779	MERCEDES-BENZ	2
54831	MACK	5

Engine Cylinder Head Bolt Set	Manufacturer	Line No.
GS33662	MERCEDES-BENZ	11, 12, 13
GS33663	MERCEDES-BENZ	1

Engine Valve Cover Gasket Set	Manufacturer	Line No.
VS38793TC	CUMMINS	33
VS50377	MERCEDES-BENZ	3, 4
VS50404	DETROIT DIESEL	22, 23, 24
VS50456	VOLVO	4
VS50457	VOLVO	2, 3, 5, 7, 9, 10
VS50478	KOMATSU	3
VS50621	MERCEDES-BENZ	7, 9
VS50633	MERCEDES-BENZ	11, 12, 13
VS50634	MERCEDES-BENZ	1
VS50635	MERCEDES-BENZ	1

Engine Valve Cover Gasket	Manufacturer	Line No.
VS50625	CUMMINS	31
VS50626	CATERPILLAR	13
VS50630	CATERPILLAR	13

Engine Gaskets (cont.)		
Engine Valve Cover Gasket	Manufacturer	Line No.
VS50631	CATERPILLAR	13
Engine Valve Stem Seal Set	Manufacturer	Line No.
B45976	MERCEDES-BENZ	1
B45980	KOMATSU	7
B45984	MERCEDES-BENZ	7, 8, 9, 10
B45984	MERCEDES-BENZ	7, 8, 9, 10
B45985	KOMATSU	3
SS45885	MACK	2, 4, 5
SS46053	MERCEDES-BENZ	13
SS46054	MERCEDES-BENZ	1
SS46058	MERCEDES-BENZ	7, 9
SS46059	MERCEDES-BENZ	7, 9
SS46059	MERCEDES-BENZ	7, 9
SS46060	MERCEDES-BENZ	8, 10
SS46061	MERCEDES-BENZ	8, 10
Engine Intake Manifold Gasket Set	Manufacturer	Line No.
MS19445	KOMATSU	7
MS19496	KOMATSU	3, 4
MS19746	MERCEDES-BENZ	2
MS19856	CATERPILLAR	13
MS19860	MERCEDES-BENZ	11, 12, 13
MS19862	MERCEDES-BENZ	1
MS19863	MERCEDES-BENZ	1
Intake and Exhaust Manifolds Combination Gasket	Manufacturer	Line No.
MS19471	VOLVO	4
MS19472	VOLVO	2, 3, 5, 7, 9, 10, 11, 12
Exhaust Manifold Gasket Set	Manufacturer	Line No.
MS19271	MERCEDES-BENZ	3, 4
MS19444	KOMATSU	7
MS19485	KOMATSU	4
MS19486	KOMATSU	3
MS19824	DETROIT DIESEL	15
MS19855	CATERPILLAR	13
MS19861	MERCEDES-BENZ	11, 12, 13
MS19864	MERCEDES-BENZ	1
Engine Oil Pan Gasket Set	Manufacturer	Line No.
OS32292	KOMATSU	7
OS32295	VOLVO	2, 3, 4, 5, 7, 9, 10, 11, 12
OS32321	KOMATSU	4
OS32406	MERCEDES-BENZ	7, 9
OS32408	MACK	5
OS32412	CATERPILLAR	13
OS32413	MERCEDES-BENZ	13, 1

Engine Gaskets (cont.)		
Engine Timing Cover Gasket Set	Manufacturer	Line No.
JV5049	CATERPILLAR	48, 51, 53
JV5164	CATERPILLAR	13
JV5165	CATERPILLAR	12, 13
Engine Timing Cover Seal	Manufacturer	Line No.
67769	MERCEDES-BENZ	1, 2, 3, 4
67793	KOMATSU	7
67813	KOMATSU	3, 4, 5
67949	CATERPILLAR	13
67950	CATERPILLAR	12, 13
67960	MERCEDES-BENZ	11, 12, 13, 1
Rear Main Seal Set	Manufacturer	Line No.
JV1731	CATERPILLAR	12, 13
JV1732	CATERPILLAR	12, 13
Rear Main Seal	Manufacturer	Line No.
67946	MACK	5
67948	CATERPILLAR	12, 13
67956	CATERPILLAR	12, 13
67959	MERCEDES-BENZ	11, 12, 13, 1
Miscellaneous Gaskets		
Turbocharger Mounting Gasket Set	Manufacturer	Line No.
GS33660	CATERPILLAR	13
GS33666	CATERPILLAR	13
Turbocharger Gasket	Manufacturer	Line No.
G32545	MACK	5
Engine Oil Cooler Gasket Set	Manufacturer	Line No.
GS33655	CATERPILLAR	12, 13
Engine Oil Drain Plug Gasket	Manufacturer	Line No.
B32518	MERCEDES-BENZ	1
Fuel Injector Seal Kit	Manufacturer	Line No.
GS33649	MACK	2, 4, 5
GS33650	MACK	5
GS33657	CATERPILLAR	13
GS33658	CATERPILLAR	13
Engine Water Pump Housing Gasket	Manufacturer	Line No.
GS33659	CATERPILLAR	13
Bearings		
Connecting Rod Bearing	Manufacturer	Line No.
CB-1662P	DETROIT DIESEL	21, 22, 23
CB-1904P	KOMATSU	1, 2

Bearings (cont.)

Connecting Rod Bearing	Manufacturer	Line No.
CB-1906P	KOMATSU	3, 4, 5
CB-1907P	KOMATSU	3
CB-1932P	CATERPILLAR	14
CB-1933P	CATERPILLAR	49, 61, 62
CB-1941P	CATERPILLAR	43

Connecting Rod Bearing Set	Manufacturer	Line No.
CB-1842P(4)	MERCEDES-BENZ	2
CB-1888P(4)	MERCEDES-BENZ	7, 9
CB-1888P(6)	MERCEDES-BENZ	8, 10
CB-1952P(6)	MERCEDES-BENZ	5, 6

Main Bearing Set	Manufacturer	Line No.
MS-2277P	VOLVO	4
MS-2282P	MERCEDES-BENZ	7, 9
MS-2283P	MERCEDES-BENZ	8, 10
MS-2289P	KOMATSU	3
MS-2297P	CUMMINS	31
MS-2313P	DETROIT DIESEL	24
MS-2318P	CUMMINS	23, 24
MS-2328H	CUMMINS	5, 6, 7, 8, 9
MS-2328HX	CUMMINS	5, 6, 7, 8, 9
MS-2328P	CUMMINS	5, 6, 7, 8, 9
MS-2329P	CUMMINS	5, 8
MS-2331P	MERCEDES-BENZ	2
MS-2332P	MERCEDES-BENZ	13, 1
MS-2333P	MERCEDES-BENZ	5, 6

Thrust Washer Set	Manufacturer	Line No.
TW-412S	DETROIT DIESEL	1, 2, 3
TW-620S	MERCEDES-BENZ	2, 3, 4
TW-687S	CUMMINS	2
TW-687S	CUMMINS	2
TW-688S	KOMATSU	3, 4, 5
TW-689S	KOMATSU	3, 5
TW-693S	CATERPILLAR	15, 16, 17, 18, 19, 20, 21, 22, 24, 25, 33, 34, 35, 37, 38, 39, 40, 41
TW-703S	CUMMINS	23, 24
TW-705S	MERCEDES-BENZ	7, 8, 9, 10

Camshaft Bearing Set	Manufacturer	Line No.
SH-1450S	MACK	2, 3, 5, 6
SH-1764S	CATERPILLAR	11, 12, 13
SH-2128S	KOMATSU	1
SH-2129S	KOMATSU	2
SH-2130S	KOMATSU	7
SH-2135S	KOMATSU	3
SH-2178S	CATERPILLAR	16
SH-2181S	DETROIT DIESEL	12
SH-2182S	MERCEDES-BENZ	7, 9
SH-2184S	MERCEDES-BENZ	8, 10
SH-2188S	MERCEDES-BENZ	5, 6

Bearings (cont.)

Camshaft Bearing	Manufacturer	Line No.
SH-2174	CATERPILLAR	14
SH-2175	CATERPILLAR	14
SH-2183	CUMMINS	12, 13
SH-2183	CUMMINS	12, 13
SH-2186	CATERPILLAR	51, 55, 57, 58
SH-2187	CATERPILLAR	51, 55, 57, 58

Piston Pin Bushing	Manufacturer	Line No.
223-3680	KOMATSU	1, 2
223-3681	CUMMINS	2
223-3681	CUMMINS	2
223-3682	KOMATSU	1, 2
223-3683	MERCEDES-BENZ	11, 12, 13
223-3684	MERCEDES-BENZ	1
223-3685	MERCEDES-BENZ	7, 8, 9, 10
223-3686	MERCEDES-BENZ	7, 8, 9, 10
223-3688	KOMATSU	7
223-3689	KOMATSU	7
223-3690	KOMATSU	3, 4
223-3691	KOMATSU	3, 4
223-3692	KOMATSU	5
223-3693	VOLVO	4
223-3694	VOLVO	4
223-3699	CUMMINS	23
223-3700	CUMMINS	39
223-3701	CUMMINS	35
223-3703	CATERPILLAR	49, 51, 53
223-3704	CATERPILLAR	49, 53, 62
223-3705	CATERPILLAR	51, 58
223-3706	CATERPILLAR	33, 40
223-3707	CATERPILLAR	33, 40
223-3708	CATERPILLAR	33, 40
223-3709	CATERPILLAR	51
223-3710	CATERPILLAR	79, 81, 8
223-3712	CATERPILLAR	43
223-3717	CUMMINS	4, 6, 7
223-3718	CUMMINS	3, 4, 5, 9
223-3726	CUMMINS	14
223-3727	MERCEDES-BENZ	5, 6
223-3728	MERCEDES-BENZ	6

Balance Shaft Bearing	Manufacturer	Line No.
SH-2173	CATERPILLAR	33

Valve Train & Ancillary

Valve (Intake)	Manufacturer	Line No.
211-4301	MERCEDES-BENZ	6
211-4302	MERCEDES-BENZ	6
211-4303	MERCEDES-BENZ	6
211-4305	MERCEDES-BENZ	7, 8, 9, 10

Valve (Exhaust)	Manufacturer	Line No.
211-4299	MERCEDES-BENZ	6
211-4300	MERCEDES-BENZ	6
211-4304	MERCEDES-BENZ	7, 8, 9, 10
211-4306	MERCEDES-BENZ	6

Valve Train & Ancillary (cont.)

Valve Guide	Manufacturer	Line No.
217-3254	DETROIT DIESEL	12

Filters

Spin-on oil filter	Manufacturer	Line No.
OC 1001	CUMMINS	9

Turbochargers

Turbocharger	Manufacturer	Line No.
001 TC 31102 000	MERCEDES-BENZ	8
127 TC 21205 000	CATERPILLAR	44, 46
127 TC 21206 000	CATERPILLAR	13
127 TC 21208 000	CATERPILLAR	12
127 TC 24088 000	CATERPILLAR	42
127 TC 24164 000	CATERPILLAR	40
193 TC 24277 000	MACK	5
193 TC 24652 000	MACK	3
193 TC 24656 000	MACK	3
193 TC 24657 000	MACK	3, 5
286 TC 21201 000	CUMMINS	31
286 TC 31104 000	CUMMINS	12

Turbocharger Service Kit	Manufacturer	Line No.
127 TS 21206 100	CATERPILLAR	12
286 TS 21201 000	CUMMINS	31

Crankshaft

Crankshaft	Manufacturer	Line No.
247-5121	DETROIT DIESEL	25
247-5226	KOMATSU	
247-5232	CATERPILLAR	14
247-5237	CUMMINS	31

Model	Series	No. Cyls.	CID	Liter	Bore / Stroke	Line No.
3114		4	268	4.4	4.1 / 5	1
3208		8	636	10.4	4.5 / 5	2
3306	3306	6	638	10.5	4.8 / 6	3
3406	3406	6	893	14.6	5.4 / 6.5	4
3406E		6	893	14.6	5.4 / 6.5	6
C15		6	928	15.2	5.4 / 6.7	5

LINE #	NOTES	PART DESCRIPTION	OVERHAUL	QTY	IN-FRAME	QTY
1	4.1340" 268 CID (4.4L) 4 Cyl / 8 Valves Engine Code: '3114'					1
1.1	17.6:1 CR Contains OE # Piston 105-1710 Head Set 9X2192 OE Rod Bearing Number(s) 2246638	Kit Number			456-5056	
		Piston (Bare)			224-3361X	4
		Piston Pin			223-1853	4
		Lock Ring			223-5516	4
		Ring Set			S41771	4
		Connecting Rod Bearing			CB-1620P	4
		Undersizes			P-25MM-50MM	
		Main Bearing Set			MS-2064P	1
		Undersizes			P-25MM-50MM	
		Engine Cylinder Head Gasket Set			HS54215-1	1
		Engine Oil Pan Gasket Set			OS32217	1
1.2	17.6:1 CR Contains OE # Piston 105-1710 Head Set 9X6471 OE Rod Bearing Number(s) 2246638	Kit Number			456-5057	
		Piston (Bare)			224-3361X	4
		Piston Pin			223-1853	4
		Lock Ring			223-5516	4
		Ring Set			S41771	4
		Connecting Rod Bearing			CB-1620P	4
		Undersizes			P-25MM-50MM	
		Main Bearing Set			MS-2064P	1
		Undersizes			P-25MM-50MM	
		Engine Cylinder Head Gasket Set			HS54215-2	1
		Engine Oil Pan Gasket Set			OS32217	1
2	4.5000" 636 CID (10.4L) 8 Cyl / 16 Valves Engine Code: '3208'					2
2.1	16.5:1 CR Over 175 HP 2 Ring Piston Excluding California From Eng. S/N 40S1, 32Y1, 2Z1 Up Tapered Connecting Rod 1.010" Length Rod Bearing Non-Grooved Front Main Bearing Contains OE# Piston 2W4831 Head Gasket Set 234-7990 OE Rod Bearing Number(s) 7E7894	Kit Number		456-1014		456-5014
		Rebore Kit	225-2513	8	225-2513	8
		Oversizes	STD-020		STD-020	
		Connecting Rod Bearing	CB-1215P	8	CB-1215P	8
		Undersizes	P-10-20-30-40		P-10-20-30-40	
		Main Bearing Set	MS-1420P	1	MS-1420P	1
		Undersizes	P-10-20-30		P-10-20-30	
		Engine Cylinder Head Gasket Set	HS54151-4	1	HS54151-4	1
		Engine Conversion Gasket Set / Engine Oil Pan Gasket Set	CS4929C	1	OS32178	1
		2.2	16.5:1 CR Over 175 HP 2 Ring Piston Excluding California From Eng. S/N 40S1, 32Y1, 2Z1 Up Tapered Connecting Rod 1.010" Length Rod Bearing Non-Grooved Front Main Bearing Contains OE# Piston 2W4831 Head Gasket Set 234-8018 OE Rod Bearing Number(s) 7E7894	Kit Number		456-1015
Rebore Kit	225-2513			8	225-2513	8
Oversizes	STD-020				STD-020	
Connecting Rod Bearing	CB-1215P			8	CB-1215P	8
Undersizes	P-10-20-30-40				P-10-20-30-40	
Main Bearing Set	MS-1420P			1	MS-1420P	1
Undersizes	P-10-20-30				P-10-20-30	
Engine Cylinder Head Gasket Set	HS54151-8			1	HS54151-8	1
Engine Conversion Gasket Set / Engine Oil Pan Gasket Set	CS4929C			1	OS32178	1



LINE #	NOTES	PART DESCRIPTION	OVERHAUL	QTY	IN-FRAME	QTY
2 (cont.)	4.5000" 636 CID (10.4L) 8 Cyl / 16 Valves Engine Code: '3208'					2 (cont.)
2.3	16.5:1 CR 175 HP 2 Ring Piston Excluding California From Eng. S/N 40S1, 32Y1, 2Z1 Up Tapered Connecting Rod 1.010" Length Rod Bearing Grooved Front Main Bearing Contains OE# Piston 2W4831 Head Gasket Set 234-7990 OE Rod Bearing Number(s) 7E7894 OE Main Bearing Number(s) 8N8929	Kit Number	456-1016	456-5016		
		Rebore Kit	225-2513	8	225-2513	8
		Oversizes	STD-020		STD-020	
		Connecting Rod Bearing	CB-1215P	8	CB-1215P	8
		Undersizes	P-10-20-30-40		P-10-20-30-40	
		Main Bearing Set	MS-1422P	1	MS-1422P	1
		Undersizes	P-10-20-30		P-10-20-30	
		Engine Cylinder Head Gasket Set	HS54151-4	1	HS54151-4	1
		Engine Conversion Gasket Set / Engine Oil Pan Gasket Set	CS4929C	1	OS32178	1
2.4	16.5:1 CR 175 HP 2 Ring Piston Excluding California From Eng. S/N 40S1, 32Y1, 2Z1 Up Tapered Connecting Rod 1.010" Length Rod Bearing Grooved Front Main Bearing Contains OE# Piston 2W4831 Head Gasket Set 234-8018 OE Rod Bearing Number(s) 7E7894 OE Main Bearing Number(s) 8N8929	Kit Number	456-1017	456-5017		
		Rebore Kit	225-2513	8	225-2513	8
		Oversizes	STD-020		STD-020	
		Connecting Rod Bearing	CB-1215P	8	CB-1215P	8
		Undersizes	P-10-20-30-40		P-10-20-30-40	
		Main Bearing Set	MS-1422P	1	MS-1422P	1
		Undersizes	P-10-20-30		P-10-20-30	
		Engine Cylinder Head Gasket Set	HS54151-8	1	HS54151-8	1
		Engine Conversion Gasket Set / Engine Oil Pan Gasket Set	CS4929C	1	OS32178	1
2.5	16.5:1 CR Over 175 HP 3 Ring Piston Excluding California From Eng. S/N 40S1, 32Y1, 2Z1 Up Tapered Connecting Rod 1.010" Length Rod Bearing Non-Grooved Front Main Bearing Contains OE# Piston 7E4729 Head Gasket Set 234-7990 OE Rod Bearing Number(s) 7E7894	Kit Number	456-1018	456-5018		
		Rebore Kit	225-2738	8	225-2738	8
		Oversizes	STD-020-040		STD-020-040	
		Connecting Rod Bearing	CB-1215P	8	CB-1215P	8
		Undersizes	P-10-20-30-40		P-10-20-30-40	
		Main Bearing Set	MS-1420P	1	MS-1420P	1
		Undersizes	P-10-20-30		P-10-20-30	
		Engine Cylinder Head Gasket Set	HS54151-4	1	HS54151-4	1
		Engine Conversion Gasket Set / Engine Oil Pan Gasket Set	CS4929C	1	OS32178	1
2.6	16.5:1 CR Over 175 HP 3 Ring Piston Excluding California From Eng. S/N 40S1, 32Y1, 2Z1 Up Tapered Connecting Rod 1.010" Length Rod Bearing Non-Grooved Front Main Bearing Contains OE# Piston 7E4729 Head Gasket Set 234-8018 OE Rod Bearing Number(s) 7E7894	Kit Number	456-1019	456-5019		
		Rebore Kit	225-2738	8	225-2738	8
		Oversizes	STD-020-040		STD-020-040	
		Connecting Rod Bearing	CB-1215P	8	CB-1215P	8
		Undersizes	P-10-20-30-40		P-10-20-30-40	
		Main Bearing Set	MS-1420P	1	MS-1420P	1
		Undersizes	P-10-20-30		P-10-20-30	
		Engine Cylinder Head Gasket Set	HS54151-8	1	HS54151-8	1
		Engine Conversion Gasket Set / Engine Oil Pan Gasket Set	CS4929C	1	OS32178	1

LINE #	NOTES	PART DESCRIPTION	OVERHAUL	QTY	IN-FRAME	QTY
2 (cont.)	4.5000" 636 CID (10.4L) 8 Cyl / 16 Valves Engine Code: '3208'					2 (cont.)
2.7	16.5:1 CR 175 HP 3 Ring Piston Excluding California From Eng. S/N 40S1, 32Y1, 2Z1 Up Tapered Connecting Rod 1.010" Length Rod Bearing Grooved Front Main Bearing Contains OE# Piston 7E4729 Head Gasket Set 234-7990 OE Rod Bearing Number(s) 7E7894 OE Main Bearing Number(s) 8N8929	Kit Number	456-1020		456-5020	
		Rebore Kit	225-2738	8	225-2738	8
		Oversizes	STD-020-040		STD-020-040	
		Connecting Rod Bearing	CB-1215P	8	CB-1215P	8
		Undersizes	P-10-20-30-40		P-10-20-30-40	
		Main Bearing Set	MS-1422P	1	MS-1422P	1
		Undersizes	P-10-20-30		P-10-20-30	
		Engine Cylinder Head Gasket Set	HS54151-4	1	HS54151-4	1
		Engine Conversion Gasket Set / Engine Oil Pan Gasket Set	CS4929C	1	OS32178	1
2.8	16.5:1 CR 175 HP 3 Ring Piston Excluding California From Eng. S/N 40S1, 32Y1, 2Z1 Up Tapered Connecting Rod 1.010" Length Rod Bearing Grooved Front Main Bearing Contains OE# Piston 7E4729 Head Gasket Set 234-8018 OE Rod Bearing Number(s) 7E7894 OE Main Bearing Number(s) 8N8929	Kit Number	456-1021		456-5021	
		Rebore Kit	225-2738	8	225-2738	8
		Oversizes	STD-020-040		STD-020-040	
		Connecting Rod Bearing	CB-1215P	8	CB-1215P	8
		Undersizes	P-10-20-30-40		P-10-20-30-40	
		Main Bearing Set	MS-1422P	1	MS-1422P	1
		Undersizes	P-10-20-30		P-10-20-30	
		Engine Cylinder Head Gasket Set	HS54151-8	1	HS54151-8	1
		Engine Conversion Gasket Set / Engine Oil Pan Gasket Set	CS4929C	1	OS32178	1
3	4.7500" 638 CID (10.5L) 6 Cyl / 12 Valves; Sleeved Engine 3306 Series					3
3.1	Except S/N 3N0001 To 3N79762 No Heat Plug In Piston 1.500" Diameter Piston Pin Late Skirt Profile Contains OE# Piston 8N3182 OE Rod Bearing Number(s) 4W5739	Kit Number	456-1000		456-5000	
		Cylinder Sleeve Assembly	226-1967	6	226-1967	6
		Connecting Rod Bearing	CB-619AL	6	CB-619AL	6
		Undersizes	STD-10-20-30- 50		STD-10-20-30- 50	
		Main Bearing Set	MS-1114AL	1	MS-1114AL	1
		Undersizes	STD-10-20-30		STD-10-20-30	
		Thrust Washer Set	TW-252S	1	TW-252S	1
		Engine Cylinder Head Gasket Set	HS4966	1	HS4966	1
Engine Conversion Gasket Set / Engine Oil Pan Gasket Set	CS4930A	1	OS32224	1		
3.2	3N And 49V Series From S/N 76R371 To 76R1294 (Turbocharged only) 76R2779 Up (Turbocharged only) S/N 76R1 To 76R273 All With Bolt In Heat Plug 1.700" Diameter Piston Pin Contains OE# Piston 9N5250 OE Rod Bearing Number(s) 4W5739	Kit Number	456-1001		456-5001	
		Cylinder Sleeve Assembly	226-1695	6	226-1695	6
		Connecting Rod Bearing	CB-619AL	6	CB-619AL	6
		Undersizes	STD-10-20-30- 50		STD-10-20-30- 50	
		Main Bearing Set	MS-1114AL	1	MS-1114AL	1
		Undersizes	STD-10-20-30		STD-10-20-30	
		Thrust Washer Set	TW-252S	1	TW-252S	1
		Engine Cylinder Head Gasket Set	HS4966	1	HS4966	1
Engine Conversion Gasket Set / Engine Oil Pan Gasket Set	CS4930A	1	OS32224	1		

LINE #	NOTES	PART DESCRIPTION	OVERHAUL	QTY	IN-FRAME	QTY
3 (cont.)	4.7500" 638 CID (10.5L) 6 Cyl / 12 Valves; Sleeved Engine 3306 Series					3 (cont.)
3.3	From S/N 63Z1 To 63Z12477 No Heat Plug In Piston 1.700" Diameter Piston Pin Contains OE# Piston 165-4262 OE Rod Bearing Number(s) 4W5739	Kit Number	456-1028		456-5028	
		Cylinder Sleeve Assembly	226-1968	6	226-1968	6
		Connecting Rod Bearing	CB-619AL	6	CB-619AL	6
		Undersizes	STD-10-20-30- 50		STD-10-20-30- 50	
		Main Bearing Set	MS-1114AL	1	MS-1114AL	1
		Undersizes	STD-10-20-30		STD-10-20-30	
		Thrust Washer Set	TW-252S	1	TW-252S	1
		Engine Cylinder Head Gasket Set	HS54163-7	1	HS54163-7	1
		Engine Conversion Gasket Set / Engine Oil Pan Gasket Set	CS54163-4	1	OS32224	1
3.4	From S/N 76R4423 Up 16.0:1 CR 1.700" Diameter Piston Pin Contains OE# Piston 168-4531 Head Gasket Set 6V2531 OE Rod Bearing Number(s) 4W5739	Kit Number			456-5039	
		Cylinder Sleeve Assembly			226-1988	6
		Connecting Rod Bearing			CB-619AL	6
		Undersizes			STD-10-20-30- 50	
		Main Bearing Set			MS-1114AL	1
		Undersizes			STD-10-20-30	
		Thrust Washer Set			TW-252S	1
		Engine Cylinder Head Gasket Set			HS4966	1
		Engine Oil Pan Gasket Set			OS32224	1
3.5	3306C 17.0:1 CR Contains OE# Piston 1073565 Covers OE# Head Sets 2348002, 2348008, 2347988, 6V2527, 3E7471, 1551379 And Oil Pan Gasket 1694200 OE Rod Bearing Number(s) 4W5739	Kit Number			456-5058	
		Cylinder Sleeve Assembly			226-1974	6
		Connecting Rod Bearing			CB-619AL	6
		Undersizes			STD-10-20-30- 50	
		Main Bearing Set			MS-1114AL	1
		Undersizes			STD-10-20-30	
		Thrust Washer Set			TW-693S	1
		<i>Optional</i>			TW-252S	1
		<i>Optional</i>			TW-409S	1
		Engine Cylinder Head Gasket Set			HS54163-7	1
		<i>Optional</i>			HS54163-8	1
		<i>Optional</i>			HS54163-9	1
		<i>Optional</i>			HS54163-11	1
		<i>Optional</i>			HS54163-12	1
		Engine Oil Pan Gasket Set			OS32224	1
<i>Optional</i>			OS32166	1		

LINE #	NOTES	PART DESCRIPTION	OVERHAUL	QTY	IN-FRAME	QTY
4	5.4000" 893 CID (14.6L) 6 Cyl / 24 Valves 3406 Series					4
4.1	3406C 14.5:1 CR Keystone Compression Rings 9 Degree Wide Tapered Rod Standard Clearance Liner 7FB66677-Up w/arrangement # 7C5822 4MG1-4MG3230 w/arrangement # 7C5822 Contains OE# Piston 290-0017 OE Rod Bearing Number(s) 9Y9497	Kit Number	456-1047			
		Cylinder Sleeve Assembly	226-1734	6		
		Connecting Rod Bearing	CB-1262AL	6		
		Undersizes	STD-10-25-50			
		Main Bearings	MB-2848AL	7		
		Undersizes	STD-10-25-50			
		Thrust Washer Set	TW-583S	1		
		Engine Cylinder Head Gasket Set	HS54154-7	1		
		Engine Conversion Gasket Set	CS54154-8	1		
4.2	3406B From S/N 4MG43578 9 Degree Taper Spacer Plate Engine Contains OE# Piston 7E0539 Covers OE# 2193501, 2902060, 8C5704 Head Sets and 4N1151 Pan Gasket OE Rod Bearing Number(s) 9Y9497	Kit Number			456-5007	
		Cylinder Sleeve Assembly			226-1901	6
		Connecting Rod Bearing			CB-1262AL	6
		Undersizes			STD-10-25-50	
		Main Bearings			MB-2848AL	7
		Undersizes			STD-10-25-50	
		Thrust Washer Set			TW-583S	1
		In-frame Overhaul Set			EK0102VR	1
4.3	3406 From S/N 92U14043 To 92U28616 No Heat Plug In Piston 9 Degree Wide Tapered Rod With Rod Bearing Length Of 1.535" Contains OE# Piston 290-0017 OE Rod Bearing Number(s) 9Y9497	Kit Number			456-5030	
		Cylinder Sleeve Assembly			226-1734	6
		Connecting Rod Bearing			CB-1262AL	6
		Undersizes			STD-10-25-50	
		Main Bearings			MB-2848AL	7
		Undersizes			STD-10-25-50	
		Thrust Washer Set			TW-583S	1
		Engine Cylinder Head Gasket Set			HS4931B	1
Engine Oil Pan Gasket Set			OS32500A	1		
4.4	3406B From S/N 92U28617 9 Degree Wide Tapered Rod With Rod Bearing Length Of 1.535" Spacer Plate Engine Contains OE# Piston 290-0017 OE Rod Bearing Number(s) 9Y9497	Kit Number	456-1031		456-5031	
		Cylinder Sleeve Assembly	226-1734	6	226-1734	6
		Connecting Rod Bearing	CB-1262AL	6	CB-1262AL	6
		Undersizes	STD-10-25-50		STD-10-25-50	
		Main Bearings	MB-2848AL	7	MB-2848AL	7
		Undersizes	STD-10-25-50		STD-10-25-50	
		Thrust Washer Set	TW-583S	1	TW-583S	1
		Engine Full Gasket Set / In-frame Overhaul Set	FS4966A	1	EK0102VR	1

LINE #	NOTES	PART DESCRIPTION	OVERHAUL	QTY	IN-FRAME	QTY
4 (cont.)	5.4000" 893 CID (14.6L) 6 Cyl / 24 Valves 3406 Series					4 (cont.)
4.5	3406B From S/N 4MG8865-Up (Programable Electronic Engine Control) 8TC1413-Up 9 Degree Wide Tapered Rod With Rod Bearing Length Of 1.535" Spacer Plate Engine Contains OE# Piston 9Y7212 OE Rod Bearing Number(s) 9Y9497	Kit Number			456-5035	
		Cylinder Sleeve Assembly			226-1733	6
		Connecting Rod Bearing			CB-1262AL	6
		Undersizes			STD-10-25-50	
		Main Bearings			MB-2848AL	7
		Undersizes			STD-10-25-50	
		Thrust Washer Set			TW-583S	1
		In-frame Overhaul Set			EK0102VR	1
4.6	3406C 15.2:1 CR 2.000" Diameter Pin From S/N 4CK1 And From S/N 5KJ1 9 Degree Wide Tapered Rod Spacer Plate Engine Contains OE# Piston 7E8700 Covers OE# 2193501, 2902060, 8C5704 Head Sets and 4N1151 Pan Gasket OE Rod Bearing Number(s) 9Y7735	Kit Number			456-5036	
		Cylinder Sleeve Assembly			226-1918	6
		Connecting Rod Bearing			CB-1622P	6
		Undersizes			P-25-50	
		Main Bearings			MB-2848AL	7
		Undersizes			STD-10-25-50	
		Thrust Washer Set			TW-583S	1
		In-frame Overhaul Set			EK0102VR	1
4.7	3406B From S/N 4MG3600 Up 8TC1413-Up 9 Degree Tapered Connecting Rod With Rod Bearing Length Of 1.535" Spacer Plate Engine Contains OE# Piston 9Y9889 Covers OE# 2193501, 2902060, 8C5704 Head Sets and 4N1151 Pan Gasket OE Rod Bearing Number(s) 9Y9497	Kit Number			456-5040	
		Cylinder Sleeve Assembly			226-1855	6
		Connecting Rod Bearing			CB-1262AL	6
		Undersizes			STD-10-25-50	
		Main Bearings			MB-2848AL	7
		Undersizes			STD-10-25-50	
		Thrust Washer Set			TW-583S	1
		In-frame Overhaul Set			EK0102VR	1
4.8	3406B From S/N 7FB1 and 4MG1-3599 9 Degree Tapered Connecting Rod With Rod Bearing Length Of 1.535" Contains OE# Piston 9Y3116 OE Rod Bearing Number(s) 9Y9497	Kit Number	456-1041		456-5041	
		Cylinder Sleeve Assembly	226-1898	6	226-1898	6
		Connecting Rod Bearing	CB-1262AL	6	CB-1262AL	6
		Undersizes	STD-10-25-50		STD-10-25-50	
		Main Bearings	MB-2848AL	7	MB-2848AL	7
		Undersizes	STD-10-25-50		STD-10-25-50	
		Thrust Washer Set	TW-583S	1	TW-583S	1
		Engine Full Gasket Set / In-frame Overhaul Set	FS4966A	1	EK0102VR	1

LINE #	NOTES	PART DESCRIPTION	OVERHAUL	QTY	IN-FRAME	QTY
4 (cont.)	5.4000" 893 CID (14.6L) 6 Cyl / 24 Valves 3406 Series					4 (cont.)
4.9	15.2:1 CR 2.000" Diameter Pin S/N 2EK1-Up & 3ZJ1-Up 9 Degree Tapered Connecting Rod Contains OE# Piston 7E8700 Covers OE# 2193501, 2902060, 8C5704 Head Sets and 4N1151 Pan Gasket OE Rod Bearing Number(s) 9Y9497	Kit Number			456-5042	
		Cylinder Sleeve Assembly			226-1918	6
		Connecting Rod Bearing			CB-1262AL	6
		Undersizes			STD-10-25-50	
		Main Bearings			MB-2848AL	7
		Undersizes			STD-10-25-50	
		Thrust Washer Set			TW-583S	1
		In-frame Overhaul Set			EK0102VR	1
4.10	3406B From S/N 8TC6476 9 Degree Tapered Connecting Rod Spacer Plate Engine Contains OE# Piston 7E0539 OE Rod Bearing Number(s) 9Y7735	Kit Number			456-5043	
		Cylinder Sleeve Assembly			226-1901	6
		Connecting Rod Bearing			CB-1622P	6
		Undersizes			P-25-50	
		Main Bearings			MB-2848AL	7
		Undersizes			STD-10-25-50	
		Thrust Washer Set			TW-583S	1
		In-frame Overhaul Set			EK0102VR	1
4.11	3406C Arrangement # 4P1019 S/N 3ZJ36602 16.4:1 CR Contains OE# Piston 1010016 Covers OE# 2266070, 2310649 Head Sets and 4N1151(2) Pan Gasket OE Rod Bearing Number(s) 9Y7735	Kit Number			456-5046	
		Cylinder Sleeve Assembly			226-1922	6
		Connecting Rod Bearing			CB-1622P	6
		Undersizes			P-25-50	
		Main Bearings			MB-2848AL	7
		Undersizes			STD-10-25-50	
		Thrust Washer Set			TW-583S	1
		In-frame Overhaul Set			EK0202	1
5	5.4000" 928 CID (15.2L) 6 Cyl / 24 Valves Engine Code: 'C15'					5
5.1	18.0:1 CR Contains OE# Piston 3067460 Monotherm without Bushings For Serial number MSX-Up, BXS-Up OE Rod Bearing Number(s) 2243246, 9Y7735	Kit Number			456-5089	
		Cylinder Sleeve Assembly			226-2054	6
		Connecting Rod Bearing			CB-1933P	6
		Undersizes			P-25	
		Main Bearings			MB-2848AL	7
		Undersizes			STD-10-25-50	
		Thrust Washer Set			TW-583S	1
		In-frame Overhaul Set			EK3537	1
		Connecting Rod Bearing			CB-1622P	6
Undersizes			P-25-50			

LINE #	NOTES	PART DESCRIPTION	OVERHAUL	QTY	IN-FRAME	QTY
6	5.4000" 893 CID (14.6L) 6 Cyl / 24 Valves; Turbocharged Engine Code: '3406E'					6
6.1	Contains OE# Crown 2212305 15.9:1 CR OE Piston Pack# 0R8017 Industrial OE Rod Bearing Number(s) 9Y7735	Kit Number	456-1077			
		Cylinder Sleeve Assembly	226-1972	6		
		Connecting Rod Bearing	CB-1622P	6		
		Undersizes	P-25-50			
		Main Bearings	MB-2848AL	7		
		Undersizes	STD-10-25-50			
		Thrust Washer Set	TW-583S	1		
		Engine Cylinder Head Gasket Set	HS54214-2	1		
		Engine Conversion Gasket Set	CS54214-5	1		
		Rear Main Seal Set	JV1674	1		
Engine Timing Cover Gasket Set	JV5093	1				
6.2	16.25:1 CR 435-475 HP Contains OE# Crown 7C2888 OE Piston Pack# 0R4487, 0R8333 Engines With P.E.E.C. 1.645" Main Bearing Length For Engines With A Single Valve Cover Contains OE# Lower Gasket Set 124-8898 Timing Cover Gasket Set 234-1866 OE Rod Bearing Number(s) 9Y7735	Kit Number	456-1048		456-5048	
		Cylinder Sleeve Assembly	226-1973	6	226-1973	6
		Connecting Rod Bearing	CB-1622P	6	CB-1622P	6
		Undersizes	P-25-50		P-25-50	
		Main Bearings	MB-2848AL	7	MB-2848AL	7
		Undersizes	STD-10-25-50		STD-10-25-50	
		Thrust Washer Set	TW-583S	1	TW-583S	1
		Engine Cylinder Head Gasket Set / In-frame Overhaul Set	HS54214-1	1	EK3535VR	1
		Engine Conversion Gasket Set	CS54214-8	1		
		Rear Main Seal Set	JV1698	1		
Engine Timing Cover Gasket Set	JV5089	1				
6.3	16.25:1 CR 435-475 HP Contains OE# Crown 7C2888 OE Piston Pack# 0R4487, 0R8333 Engines With P.E.E.C. 1.645" Main Bearing Length For Engines With A Single Valve Cover Contains OE# Lower Gasket Set 115-9462 Timing Cover Gasket Set 234-1866 OE Rod Bearing Number(s) 9Y7735	Kit Number	456-1049		456-5048	
		Cylinder Sleeve Assembly	226-1973	6	226-1973	6
		Connecting Rod Bearing	CB-1622P	6	CB-1622P	6
		Undersizes	P-25-50		P-25-50	
		Main Bearings	MB-2848AL	7	MB-2848AL	7
		Undersizes	STD-10-25-50		STD-10-25-50	
		Thrust Washer Set	TW-583S	1	TW-583S	1
		Engine Cylinder Head Gasket Set / In-frame Overhaul Set	HS54214-1	1	EK3535VR	1
		Engine Conversion Gasket Set	CS54214-6	1		
		Rear Main Seal Set	JV1698	1		
Engine Timing Cover Gasket Set	JV5089	1				

LINE #	NOTES	PART DESCRIPTION	OVERHAUL	QTY	IN-FRAME	QTY
6 (cont.)	5.4000" 893 CID (14.6L) 6 Cyl / 24 Valves; Turbocharged Engine Code: '3406E'					6 (cont.)
6.4	16.25:1 CR 435-475 HP Contains OE# Crown 7C2888 OE Piston Pack# 0R4487, 0R8333 Engines With P.E.E.C. 1.645" Main Bearing Length For Engines With A Single Valve Cover Contains OE# Lower Gasket Set 130-9035 Timing Cover Gasket Set 234-1866 OE Rod Bearing Number(s) 9Y7735	Kit Number	456-1070		456-5048	
		Cylinder Sleeve Assembly	226-1973	6	226-1973	6
		Connecting Rod Bearing	CB-1622P	6	CB-1622P	6
		Undersizes	P-25-50		P-25-50	
		Main Bearings	MB-2848AL	7	MB-2848AL	7
		Undersizes	STD-10-25-50		STD-10-25-50	
		Thrust Washer Set	TW-583S	1	TW-583S	1
		Engine Cylinder Head Gasket Set / In-frame Overhaul Set	HS54214-1	1	EK3535VR	1
		Engine Conversion Gasket Set	CS54214-2	1		
		Rear Main Seal Set	JV1698	1		
Engine Timing Cover Gasket Set	JV5089	1				
6.5	16.25:1 CR 435-475 HP Contains OE# Crown 7C2888 OE Piston Pack# 0R4487, 0R8333 Engines With P.E.E.C. 1.645" Main Bearing Length For Engines With A Single Valve Cover Contains OE# Lower Gasket Set 214-4150 Timing Cover Gasket Set 233-6984 OE Rod Bearing Number(s) 9Y7735	Kit Number	456-1071		456-5048	
		Cylinder Sleeve Assembly	226-1973	6	226-1973	6
		Connecting Rod Bearing	CB-1622P	6	CB-1622P	6
		Undersizes	P-25-50		P-25-50	
		Main Bearings	MB-2848AL	7	MB-2848AL	7
		Undersizes	STD-10-25-50		STD-10-25-50	
		Thrust Washer Set	TW-583S	1	TW-583S	1
		Engine Cylinder Head Gasket Set / In-frame Overhaul Set	HS54214-1	1	EK3535VR	1
		Engine Conversion Gasket Set	CS54214-5	1		
		Rear Main Seal Set	JV1698	1		
Engine Timing Cover Gasket Set	JV5093	1				
6.6	16.25:1 CR 435-475 HP Engines With P.E.E.C. 1.645" Main Bearing Length For Engines With A Single Valve Cover OE Piston Pack# 0R4487, 0R8333 Contains OE# Crown 7C2888 Contains OE# Lower Gasket Set 115-9462 Timing Cover Gasket Set 233-6984 OE Rod Bearing Number(s) 9Y7735	Kit Number	456-1072		456-5048	
		Cylinder Sleeve Assembly	226-1973	6	226-1973	6
		Connecting Rod Bearing	CB-1622P	6	CB-1622P	6
		Undersizes	P-25-50		P-25-50	
		Main Bearings	MB-2848AL	7	MB-2848AL	7
		Undersizes	STD-10-25-50		STD-10-25-50	
		Thrust Washer Set	TW-583S	1	TW-583S	1
		Engine Cylinder Head Gasket Set / In-frame Overhaul Set	HS54214-1	1	EK3535VR	1
		Engine Conversion Gasket Set	CS54214-6	1		
		Rear Main Seal Set	JV1698	1		
Engine Timing Cover Gasket Set	JV5093	1				

LINE #	NOTES	PART DESCRIPTION	OVERHAUL	QTY	IN-FRAME	QTY
6 (cont.)	5.4000" 893 CID (14.6L) 6 Cyl / 24 Valves; Turbocharged Engine Code: '3406E'					6 (cont.)
6.7	16.25:1 CR 435-475 HP Contains OE# Crown 7C2888 OE Piston Pack# 0R4487, 0R8333 Engines With P.E.E.C. 1.645" Main Bearing Length For Engines With A Single Valve Cover Contains OE# Lower Gasket Set 214-4150 Timing Cover Gasket Set 234-1866 OE Rod Bearing Number(s) 9Y7735	Kit Number	456-1073	456-5048		
		Cylinder Sleeve Assembly	226-1973	6	226-1973	6
		Connecting Rod Bearing	CB-1622P	6	CB-1622P	6
		Undersizes	P-25-50		P-25-50	
		Main Bearings	MB-2848AL	7	MB-2848AL	7
		Undersizes	STD-10-25-50		STD-10-25-50	
		Thrust Washer Set	TW-583S	1	TW-583S	1
		Engine Cylinder Head Gasket Set / In-frame Overhaul Set	HS54214-1	1	EK3535VR	1
		Engine Conversion Gasket Set	CS54214-5	1		
		Rear Main Seal Set	JV1698	1		
Engine Timing Cover Gasket Set	JV5089	1				
6.8	16.25:1 CR 435-475 HP Contains OE# Crown 7C2888 OE Piston Pack# 0R4487, 0R8333 Engines With P.E.E.C. 1.645" Main Bearing Length For Engines With A Single Valve Cover Contains OE# Lower Set 119-0957 Timing Cover Gasket Set 234-1866 OE Rod Bearing Number(s) 9Y7735	Kit Number	456-1074	456-5048		
		Cylinder Sleeve Assembly	226-1973	6	226-1973	6
		Connecting Rod Bearing	CB-1622P	6	CB-1622P	6
		Undersizes	P-25-50		P-25-50	
		Main Bearings	MB-2848AL	7	MB-2848AL	7
		Undersizes	STD-10-25-50		STD-10-25-50	
		Thrust Washer Set	TW-583S	1	TW-583S	1
		Engine Cylinder Head Gasket Set / In-frame Overhaul Set	HS54214-1	1	EK3535VR	1
		Engine Conversion Gasket Set	CS54214-7	1		
		Rear Main Seal Set	JV1698	1		
Engine Timing Cover Gasket Set	JV5089	1				
6.9	16.25:1 CR 435-475 HP Contains OE# Crown 7C2888 OE Piston Pack# 0R4487, 0R8333 Engines With P.E.E.C. 1.645" Main Bearing Length For Engines With A Single Valve Cover Contains OE# Lower Set 120-9328 Timing Cover Gasket Set 234-1866 OE Rod Bearing Number(s) 9Y7735	Kit Number	456-1075	456-5048		
		Cylinder Sleeve Assembly	226-1973	6	226-1973	6
		Connecting Rod Bearing	CB-1622P	6	CB-1622P	6
		Undersizes	P-25-50		P-25-50	
		Main Bearings	MB-2848AL	7	MB-2848AL	7
		Undersizes	STD-10-25-50		STD-10-25-50	
		Thrust Washer Set	TW-583S	1	TW-583S	1
		Engine Cylinder Head Gasket Set / In-frame Overhaul Set	HS54214-1	1	EK3535VR	1
		Engine Conversion Gasket Set	CS54214-9	1		
		Rear Main Seal Set	JV1698	1		
Engine Timing Cover Gasket Set	JV5089	1				

LINE #	NOTES	PART DESCRIPTION	OVERHAUL	QTY	IN-FRAME	QTY
6 (cont.)	5.4000" 893 CID (14.6L) 6 Cyl / 24 Valves; Turbocharged Engine Code: '3406E'					6 (cont.)
6.10	16.25:1 CR 435-475 HP Contains OE# Crown 7C2888 OE Piston Pack# 0R4487, 0R8333 Engines With P.E.E.C. 1.645" Main Bearing Length For Engines With A Single Valve Cover Timing Cover Gasket Set 233-6984 Contains OE# Lower Gasket Set 130-9035 OE Rod Bearing Number(s) 9Y7735	Kit Number	456-1076		456-5048	
		Cylinder Sleeve Assembly	226-1973	6	226-1973	6
		Connecting Rod Bearing	CB-1622P	6	CB-1622P	6
		Undersizes	P-25-50		P-25-50	
		Main Bearings	MB-2848AL	7	MB-2848AL	7
		Undersizes	STD-10-25-50		STD-10-25-50	
		Thrust Washer Set	TW-583S	1	TW-583S	1
		Engine Cylinder Head Gasket Set / In-frame Overhaul Set	HS54214-1	1	EK3535VR	1
		Engine Conversion Gasket Set	CS54214-2	1		
		Rear Main Seal Set	JV1698	1		
Engine Timing Cover Gasket Set	JV5093	1				
6.11	16:6:1 CR Contains OE# Crown 1807352 OE Piston Pack# 0R8915, 10R8616 1.645" Main Bearing Length For Engines With A Single Valve Cover Contains OE# Lower Gasket Set 214-4150 Timing Cover Gasket Set 234-1866 OE Rod Bearing Number(s) 9Y7735	Kit Number	456-1051		456-5049	
		Cylinder Sleeve Assembly	226-1969	6	226-1969	6
		Connecting Rod Bearing	CB-1622P	6	CB-1622P	6
		Undersizes	P-25-50		P-25-50	
		Main Bearings	MB-2848AL	7	MB-2848AL	7
		Undersizes	STD-10-25-50		STD-10-25-50	
		Thrust Washer Set	TW-583S	1	TW-583S	1
		Engine Cylinder Head Gasket Set / In-frame Overhaul Set	HS54214-1	1	EK3535VR	1
		Engine Conversion Gasket Set	CS54214-5	1		
		Rear Main Seal Set	JV1698	1		
Engine Timing Cover Gasket Set	JV5089	1				
6.12	16:6:1 CR Contains OE# Crown 1807352 OE Piston Pack# 0R8915, 10R8616 1.645" Main Bearing Length For Engines With A Single Valve Cover Contains OE# Lower Gasket Set 214-4150 Timing Cover Gasket Set 233-6984 OE Rod Bearing Number(s) 9Y7735	Kit Number	456-1053		456-5049	
		Cylinder Sleeve Assembly	226-1969	6	226-1969	6
		Connecting Rod Bearing	CB-1622P	6	CB-1622P	6
		Undersizes	P-25-50		P-25-50	
		Main Bearings	MB-2848AL	7	MB-2848AL	7
		Undersizes	STD-10-25-50		STD-10-25-50	
		Thrust Washer Set	TW-583S	1	TW-583S	1
		Engine Cylinder Head Gasket Set / In-frame Overhaul Set	HS54214-1	1	EK3535VR	1
		Engine Conversion Gasket Set	CS54214-5	1		
		Rear Main Seal Set	JV1698	1		
Engine Timing Cover Gasket Set	JV5093	1				

LINE #	NOTES	PART DESCRIPTION	OVERHAUL	QTY	IN-FRAME	QTY
6 (cont.)	5.4000" 893 CID (14.6L) 6 Cyl / 24 Valves; Turbocharged Engine Code: '3406E'					6 (cont.)
6.13	16:6:1 CR Contains OE# Crown 1807352 OE Piston Pack# 0R8915, 10R8616 1.645" Main Bearing Length For Engines With A Single Valve Cover Contains OE# Lower Set 180-3446 Timing Cover Gasket Set 233-6984 OE Rod Bearing Number(s) 9Y7735	Kit Number	456-1069	456-5049		
		Cylinder Sleeve Assembly	226-1969	6	226-1969	6
		Connecting Rod Bearing	CB-1622P	6	CB-1622P	6
		Undersizes	P-25-50		P-25-50	
		Main Bearings	MB-2848AL	7	MB-2848AL	7
		Undersizes	STD-10-25-50		STD-10-25-50	
		Thrust Washer Set	TW-583S	1	TW-583S	1
		Engine Cylinder Head Gasket Set / In-frame Overhaul Set	HS54214-1	1	EK3535VR	1
		Engine Conversion Gasket Set	CS54214-4	1		
		Rear Main Seal Set	JV1698	1		
Engine Timing Cover Gasket Set	JV5093	1				
6.14	16:6:1 CR Contains OE# Crown 1807352 OE Piston Pack# 0R8915, 10R8616 1.645" Main Bearing Length For Engines with 3 Individual Valve Covers Contains OE# Lower Gasket Set 214-4150 Timing Cover Gasket Set 233-6984 OE Rod Bearing Number(s) 9Y7735	Kit Number	456-1054	456-5050		
		Cylinder Sleeve Assembly	226-1969	6	226-1969	6
		Connecting Rod Bearing	CB-1622P	6	CB-1622P	6
		Undersizes	P-25-50		P-25-50	
		Main Bearings	MB-2848AL	7	MB-2848AL	7
		Undersizes	STD-10-25-50		STD-10-25-50	
		Thrust Washer Set	TW-583S	1	TW-583S	1
		Engine Cylinder Head Gasket Set / In-frame Overhaul Set	HS54214-2	1	EK3536	1
		Engine Conversion Gasket Set	CS54214-5	1		
		Rear Main Seal Set	JV1698	1		
Engine Timing Cover Gasket Set	JV5093	1				
6.15	16:6:1 CR Contains OE# Crown 1807352 OE Piston Pack# 0R8915, 10R8616 1.645" Main Bearing Length For Engines with 3 Individual Valve Covers Contains OE# Lower Set 153-5527 Timing Cover Gasket Set 233-6984 OE Rod Bearing Number(s) 9Y7735	Kit Number	456-1067	456-5050		
		Cylinder Sleeve Assembly	226-1969	6	226-1969	6
		Connecting Rod Bearing	CB-1622P	6	CB-1622P	6
		Undersizes	P-25-50		P-25-50	
		Main Bearings	MB-2848AL	7	MB-2848AL	7
		Undersizes	STD-10-25-50		STD-10-25-50	
		Thrust Washer Set	TW-583S	1	TW-583S	1
		Engine Cylinder Head Gasket Set / In-frame Overhaul Set	HS54214-2	1	EK3536	1
		Engine Conversion Gasket Set	CS54214-11	1		
		Rear Main Seal Set	JV1698	1		
Engine Timing Cover Gasket Set	JV5093	1				

LINE #	NOTES	PART DESCRIPTION	OVERHAUL	QTY	IN-FRAME	QTY
6 (cont.)	5.4000" 893 CID (14.6L) 6 Cyl / 24 Valves; Turbocharged Engine Code: '3406E'					6 (cont.)
6.16	16:6:1 CR Contains OE# Crown 1807352 OE Piston Pack# 0R8915, 10R8616 1.645" Main Bearing Length For Engines with 3 Individual Valve Covers Contains OE# Lower Gasket Set 130-9035 Timing Cover Gasket Set 233-6984 OE Rod Bearing Number(s) 9Y7735	Kit Number	456-1068		456-5050	
		Cylinder Sleeve Assembly	226-1969	6	226-1969	6
		Connecting Rod Bearing	CB-1622P	6	CB-1622P	6
		Undersizes	P-25-50		P-25-50	
		Main Bearings	MB-2848AL	7	MB-2848AL	7
		Undersizes	STD-10-25-50		STD-10-25-50	
		Thrust Washer Set	TW-583S	1	TW-583S	1
		Engine Cylinder Head Gasket Set / In-frame Overhaul Set	HS54214-2	1	EK3536	1
		Engine Conversion Gasket Set	CS54214-2	1		
		Rear Main Seal Set	JV1698	1		
		Engine Timing Cover Gasket Set	JV5093	1		
6.17	16.25:1 CR 335-410 HP Contains OE# Crown 1352837 OE Piston Pack# 0R8333, 10R9554 1.645" Main Bearing Length For Engines With A Single Valve Cover Contains OE# Lower Gasket Set 142-9672 Timing Cover Gasket Set 234-1866 OE Rod Bearing Number(s) 9Y7735	Kit Number	456-1055		456-5051	
		Cylinder Sleeve Assembly	226-1970	6	226-1970	6
		Connecting Rod Bearing	CB-1622P	6	CB-1622P	6
		Undersizes	P-25-50		P-25-50	
		Main Bearings	MB-2848AL	7	MB-2848AL	7
		Undersizes	STD-10-25-50		STD-10-25-50	
		Thrust Washer Set	TW-583S	1	TW-583S	1
		Engine Cylinder Head Gasket Set / In-frame Overhaul Set	HS54214-1	1	EK3535VR	1
		Engine Conversion Gasket Set	CS54214-3	1		
		Rear Main Seal Set	JV1698	1		
		Engine Timing Cover Gasket Set	JV5089	1		
6.18	16.25:1 CR 335-410 HP Contains OE# Crown 1352837 OE Piston Pack# 0R8333, 10R9554 1.645" Main Bearing Length For Engines With A Single Valve Cover Contains OE# Lower Gasket Set 214-4150 Timing Cover Gasket Set 234-1866 OE Rod Bearing Number(s) 9Y7735	Kit Number	456-1056		456-5051	
		Cylinder Sleeve Assembly	226-1970	6	226-1970	6
		Connecting Rod Bearing	CB-1622P	6	CB-1622P	6
		Undersizes	P-25-50		P-25-50	
		Main Bearings	MB-2848AL	7	MB-2848AL	7
		Undersizes	STD-10-25-50		STD-10-25-50	
		Thrust Washer Set	TW-583S	1	TW-583S	1
		Engine Cylinder Head Gasket Set / In-frame Overhaul Set	HS54214-1	1	EK3535VR	1
		Engine Conversion Gasket Set	CS54214-5	1		
		Rear Main Seal Set	JV1698	1		
		Engine Timing Cover Gasket Set	JV5089	1		

LINE #	NOTES	PART DESCRIPTION	OVERHAUL	QTY	IN-FRAME	QTY
6 (cont.)	5.4000" 893 CID (14.6L) 6 Cyl / 24 Valves; Turbocharged Engine Code: '3406E'					6 (cont.)
6.19	16.25:1 CR 335-410 HP Contains OE# Crown 1352837 OE Piston Pack# 0R8333, 10R9554 1.645" Main Bearing Length For Engines With A Single Valve Cover Contains OE# Lower Set 153-5527 Timing Cover Gasket Set 233-6984 OE Rod Bearing Number(s) 9Y7735	Kit Number	456-1063	456-5051		
		Cylinder Sleeve Assembly	226-1970	6	226-1970	6
		Connecting Rod Bearing	CB-1622P	6	CB-1622P	6
		Undersizes	P-25-50		P-25-50	
		Main Bearings	MB-2848AL	7	MB-2848AL	7
		Undersizes	STD-10-25-50		STD-10-25-50	
		Thrust Washer Set	TW-583S	1	TW-583S	1
		Engine Cylinder Head Gasket Set / In-frame Overhaul Set	HS54214-1	1	EK3535VR	1
		Engine Conversion Gasket Set	CS54214-11	1		
		Rear Main Seal Set	JV1698	1		
		Engine Timing Cover Gasket Set	JV5093	1		
6.20	16.25:1 CR 335-410 HP Contains OE# Crown 1352837 OE Piston Pack# 0R8333, 10R9554 1.645" Main Bearing Length For Engines With A Single Valve Cover Contains OE# Lower Gasket Set 214-4150 Timing Cover Gasket Set 233-6984 OE Rod Bearing Number(s) 9Y7735	Kit Number	456-1064	456-5051		
		Cylinder Sleeve Assembly	226-1970	6	226-1970	6
		Connecting Rod Bearing	CB-1622P	6	CB-1622P	6
		Undersizes	P-25-50		P-25-50	
		Main Bearings	MB-2848AL	7	MB-2848AL	7
		Undersizes	STD-10-25-50		STD-10-25-50	
		Thrust Washer Set	TW-583S	1	TW-583S	1
		Engine Cylinder Head Gasket Set / In-frame Overhaul Set	HS54214-1	1	EK3535VR	1
		Engine Conversion Gasket Set	CS54214-5	1		
		Rear Main Seal Set	JV1698	1		
		Engine Timing Cover Gasket Set	JV5093	1		
6.21	16.25:1 CR 335-410 HP Contains OE# Crown 1352837 OE Piston Pack# 0R8333, 10R9554 1.645" Main Bearing Length For Engines With A Single Valve Cover Contains OE# Lower Gasket Set 130-9035 Timing Cover Gasket Set 234-1866 OE Rod Bearing Number(s) 9Y7735	Kit Number	456-1065	456-5051		
		Cylinder Sleeve Assembly	226-1970	6	226-1970	6
		Connecting Rod Bearing	CB-1622P	6	CB-1622P	6
		Undersizes	P-25-50		P-25-50	
		Main Bearings	MB-2848AL	7	MB-2848AL	7
		Undersizes	STD-10-25-50		STD-10-25-50	
		Thrust Washer Set	TW-583S	1	TW-583S	1
		Engine Cylinder Head Gasket Set / In-frame Overhaul Set	HS54214-1	1	EK3535VR	1
		Engine Conversion Gasket Set	CS54214-2	1		
		Rear Main Seal Set	JV1698	1		
		Engine Timing Cover Gasket Set	JV5089	1		

LINE #	NOTES	PART DESCRIPTION	OVERHAUL	QTY	IN-FRAME	QTY
6 (cont.)	5.4000" 893 CID (14.6L) 6 Cyl / 24 Valves; Turbocharged Engine Code: '3406E'					6 (cont.)
6.22	16.25:1 CR 335-410 HP Contains OE# Crown 1352837 OE Piston Pack# 0R8333, 10R9554 1.645" Main Bearing Length For Engines With A Single Valve Cover Contains OE# Lower Set 153-5527 Timing Cover Gasket Set 234-1866 OE Rod Bearing Number(s) 9Y7735	Kit Number	456-1066		456-5051	
		Cylinder Sleeve Assembly	226-1970	6	226-1970	6
		Connecting Rod Bearing	CB-1622P	6	CB-1622P	6
		Undersizes	P-25-50		P-25-50	
		Main Bearings	MB-2848AL	7	MB-2848AL	7
		Undersizes	STD-10-25-50		STD-10-25-50	
		Thrust Washer Set	TW-583S	1	TW-583S	1
		Engine Cylinder Head Gasket Set / In-frame Overhaul Set	HS54214-1	1	EK3535VR	1
		Engine Conversion Gasket Set	CS54214-11	1		
		Rear Main Seal Set	JV1698	1		
		Engine Timing Cover Gasket Set	JV5089	1		
6.23	16.25:1 CR Contains OE# Crown 1495566 OE Piston Pack# 0R8913 1.645" Main Bearing Length For Engines With A Single Valve Cover Contains OE# Lower Gasket Set 214-4150 Timing Cover Gasket Set 234-1866 OE Rod Bearing Number(s) 9Y7735	Kit Number	456-1057		456-5052	
		Cylinder Sleeve Assembly	226-1971	6	226-1971	6
		Connecting Rod Bearing	CB-1622P	6	CB-1622P	6
		Undersizes	P-25-50		P-25-50	
		Main Bearings	MB-2848AL	7	MB-2848AL	7
		Undersizes	STD-10-25-50		STD-10-25-50	
		Thrust Washer Set	TW-583S	1	TW-583S	1
		Engine Cylinder Head Gasket Set / In-frame Overhaul Set	HS54214-1	1	EK3535VR	1
		Engine Conversion Gasket Set	CS54214-5	1		
		Rear Main Seal Set	JV1698	1		
		Engine Timing Cover Gasket Set	JV5089	1		
6.24	16.25:1 CR Contains OE# Crown 1495566 OE Piston Pack# 0R8913 1.645" Main Bearing Length For Engines With A Single Valve Cover Contains OE# Lower Gasket Set 130-9035 Timing Cover Gasket Set 234-1866 OE Rod Bearing Number(s) 9Y7735	Kit Number	456-1059		456-5052	
		Cylinder Sleeve Assembly	226-1971	6	226-1971	6
		Connecting Rod Bearing	CB-1622P	6	CB-1622P	6
		Undersizes	P-25-50		P-25-50	
		Main Bearings	MB-2848AL	7	MB-2848AL	7
		Undersizes	STD-10-25-50		STD-10-25-50	
		Thrust Washer Set	TW-583S	1	TW-583S	1
		Engine Cylinder Head Gasket Set / In-frame Overhaul Set	HS54214-1	1	EK3535VR	1
		Engine Conversion Gasket Set	CS54214-2	1		
		Rear Main Seal Set	JV1698	1		
		Engine Timing Cover Gasket Set	JV5089	1		

LINE #	NOTES	PART DESCRIPTION	OVERHAUL	QTY	IN-FRAME	QTY
6 (cont.)	5.4000" 893 CID (14.6L) 6 Cyl / 24 Valves; Turbocharged Engine Code: '3406E'					6 (cont.)
6.25	16.25:1 CR Contains OE# Crown 1495566 OE Piston Pack# 0R8913 1.645" Main Bearing Length For Engines With A Single Valve Cover Contains OE# Lower Set 153-5527 Timing Cover Gasket Set 234-1866 OE Rod Bearing Number(s) 9Y7735	Kit Number	456-1061		456-5052	
		Cylinder Sleeve Assembly	226-1971	6	226-1971	6
		Connecting Rod Bearing	CB-1622P	6	CB-1622P	6
		Undersizes	P-25-50		P-25-50	
		Main Bearings	MB-2848AL	7	MB-2848AL	7
		Undersizes	STD-10-25-50		STD-10-25-50	
		Thrust Washer Set	TW-583S	1	TW-583S	1
		Engine Cylinder Head Gasket Set / In-frame Overhaul Set	HS54214-1	1	EK3535VR	1
		Engine Conversion Gasket Set	CS54214-11	1		
		Rear Main Seal Set	JV1698	1		
Engine Timing Cover Gasket Set	JV5089	1				
6.26	16.25:1 CR Contains OE# Crown 1495566 OE Piston Pack# 0R8913 1.645" Main Bearing Length For Engines With A Single Valve Cover Contains OE# Lower Set 153-5527 Timing Cover Gasket Set 233-6984 OE Rod Bearing Number(s) 9Y7735	Kit Number	456-1062		456-5052	
		Cylinder Sleeve Assembly	226-1971	6	226-1971	6
		Connecting Rod Bearing	CB-1622P	6	CB-1622P	6
		Undersizes	P-25-50		P-25-50	
		Main Bearings	MB-2848AL	7	MB-2848AL	7
		Undersizes	STD-10-25-50		STD-10-25-50	
		Thrust Washer Set	TW-583S	1	TW-583S	1
		Engine Cylinder Head Gasket Set / In-frame Overhaul Set	HS54214-1	1	EK3535VR	1
		Engine Conversion Gasket Set	CS54214-11	1		
		Rear Main Seal Set	JV1698	1		
Engine Timing Cover Gasket Set	JV5093	1				
6.27	15.9:1 CR For Engines With 3 Individual Valve Covers Contains OE# Crown 2212305 Contains OE# Head Set 2486740 And Pan Gasket 4N1151(2) OE Rod Bearing Number(s) 9Y7735	Kit Number			456-5053	
		Cylinder Sleeve Assembly			226-1972	6
		Connecting Rod Bearing			CB-1622P	6
		Undersizes			P-25-50	
		Main Bearings			MB-2848AL	7
		Undersizes			STD-10-25-50	
		Thrust Washer Set			TW-583S	1
		In-frame Overhaul Set			EK3536	1
6.28	15.9:1 CR For Engines With a Single Valve Cover Contains OE# Crown 2212305 Contains OE# 2161252 Head Set And 4N1151(2) Pan Gasket OE Rod Bearing Number(s) 9Y7735	Kit Number			456-5054	
		Cylinder Sleeve Assembly			226-1972	6
		Connecting Rod Bearing			CB-1622P	6
		Undersizes			P-25-50	
		Main Bearings			MB-2848AL	7
		Undersizes			STD-10-25-50	
		Thrust Washer Set			TW-583S	1
		In-frame Overhaul Set			EK3535VR	1

LINE #	NOTES	PART DESCRIPTION	OVERHAUL	QTY	IN-FRAME	QTY
6 (cont.)	5.4000" 893 CID (14.6L) 6 Cyl / 24 Valves; Turbocharged Engine Code: '3406E'					6 (cont.)
6.29	16.6:1 CR Contains OE# Crown 1807352 Contains OE# 2533442, 2572754, 2969934, 3211418 Head Sets, 1685248 Pan Gasket And 2401614(24) Oil Pan Grommets OE Rod Bearing Number(s) 9Y7735	Kit Number			456-5055	
		Cylinder Sleeve Assembly			226-1969	6
		Connecting Rod Bearing			CB-1622P	6
		Undersizes			P-25-50	
		Main Bearings			MB-2848AL	7
		Undersizes			STD-10-25-50	
		Thrust Washer Set			TW-583S	1
		In-frame Overhaul Set			EK3537	1

Model	Series	No. Cyls.	CID	Liter	Bore / Stroke	Line No.
3013		3	92	1.5	3.3 / 3.5	1
3014		4	122	2	3.3 / 3.5	2
3034		4	180	3	3.8 / 3.9	3
3054		4	243	4	3.9 / 5	4
3064		4	262	4.3	4 / 5.1	7
3114		4	268	4.4	4.1 / 5	10
3054E		4	269	4.4	4.1 / 5	8
3054C		4	269	4.4	4.1 / 5	9
3204		4	318	2.5	4.5 / 5	16
D330	D 330	4	350	5.7	4.5 / 5.5	15
1670		4	350	5.7	4.5 / 5.5	17
D315G		4	350	5.7	4.5 / 5.5	18
D315		4	350	5.7	4.5 / 5.5	18
3056		6	365	6	3.9 / 5	5
3066		6	389	6.4	4 / 5.1	6
3116		6	403	6.6	4.1 / 5	11
3304		4	425	7	4.8 / 6	33
G3304		4	425	7	4.8 / 6	34
D330C	D 330 C	4	425	7	4.8 / 6	35
C7		6	441	7.2	4.3 / 5	13
3126		6	442	7.2	4.3 / 5	12
1140		8	522	8.6	4.5 / 4.1	28
3145		8	522	8.6	4.5 / 4.1	31
1145		8	522	8.6	4.5 / 4.1	28
D333A		6	525	8.6	4.5 / 5.5	19
D318G		6	525	8.6	4.5 / 5.5	20
D333B		6	525	8.6	4.5 / 5.5	21
G333C		6	525	8.6	4.5 / 5.5	22
D333	D 333	6	525	8.6	4.5 / 5.5	23
D318		6	525	8.6	4.5 / 5.5	24
1673		6	525	8.6	4.5 / 5.5	25
G333B		6	525	8.6	4.5 / 5.5	22
C9		6	537	8.8	4.4 / 5.9	14
1150		8	573	9.4	4.5 / 4.5	27
3150		8	573	9.4	4.5 / 4.5	30
D340		4	595	9.8	5.4 / 6.5	47
3176		6	629	10.3	4.9 / 5.5	42
C10		6	629	10.3	4.9 / 5.5	43
1160		8	636	10.4	4.5 / 5	26
3208		8	636	10.4	4.5 / 5	29
3160		8	636	10.4	4.5 / 5	26
D333C		6	638	10.5	4.8 / 6	36
G3306		6	638	10.5	4.8 / 6	37
D334		6	638	10.5	4.8 / 6	38
1674		6	638	10.5	4.8 / 6	39
3306	3306	6	638	10.5	4.8 / 6	40
1673C		6	638	10.5	4.8 / 6	41
C11		6	667	11.1	5.1 / 5.5	44
D336		8	700	11.5	4.5 / 5.5	32

Model	Series	No. Cyls.	CID	Liter	Bore / Stroke	Line No.
C12		6	732	12	5.1 / 5.9	45
C13		6	763	15.2	5.1 / 6.8	46
D8841		4	831	13.6	5.8 / 8	63
D 339	D 339	4	831	13.6	5.8 / 8	64
D7700		4	831	13.6	5.8 / 8	63
D6600		4	831	13.6	5.8 / 8	63
D8800		4	831	13.6	5.8 / 8	63
G3406		6	893	14.6	5.4 / 6.5	48
D343		6	893	14.6	5.4 / 6.5	50
3406	3406	6	893	14.6	5.4 / 6.5	51
1693		6	893	14.6	5.4 / 6.5	52
3406E		6	893	14.6	5.4 / 6.5	53
C15		6	928	15.2	5.4 / 6.7	49
C16		6	964	15.8	5.5 / 6.8	61
3456		6	996	15.8	5.5 / 6.8	60
3408		8	1099	18	5.4 / 6	55
C18		6	1106	18.1	5.7 / 7.2	62
D346		8	1191	19.5	5.4 / 6.5	54
G342		6	1246	20.4	5.8 / 8	65
D 342	D 342	6	1246	20.4	5.8 / 8	66
D 13000	D 13000	6	1246	20.4	5.8 / 8	67
D353		6	1473	24.2	6.2 / 8	70
G353		6	1473	24.2	6.2 / 8	71
G3412		12	1649	27	5.4 / 6	57
3412		12	1649	27	5.4 / 6	58
D 364	D 364	8	1662	27.3	5.8 / 6.5	68
D 375 D	D 375 D	8	1662	27.3	5.8 / 6.5	68
D 375	D 375	8	1662	27.3	5.8 / 6.5	68
D348		12	1786	29.3	5.4 / 6.5	56
D379		8	1964	32.2	6.2 / 8	72
G379		8	1964	32.2	6.2 / 8	73
G3508		8	2115	34.7	6.7 / 7.5	78
3508		8	2115	34.7	6.7 / 7.5	79
D349		16	2382	39.1	5.4 / 6.5	59
D 386	D 386	12	2493	40.9	5.8 / 0	69
D 397	D 397	12	2493	40.9	5.8 / 0	69
D397D	D 397 D	12	2493	40.9	5.8 / 0	69
D398		12	2946	48.3	6.2 / 8	74
G398		12	2946	48.3	6.2 / 8	75
G3512		12	3173	52	6.7 / 7.5	80
3512		12	3173	52	6.7 / 7.5	81
G399		16	3298	64.4	6.2 / 8	77
D399		16	3928	64.4	6.2 / 8	76
G3516		16	4210	69	6.7 / 7.5	82
3516		16	4210	69	6.7 / 7.5	83

PART	NOTES	OE INTERCHANGE NUMBER	PART NUMBER	PER ENGINE QTY
1	3.3100" 92 CID (1.5L) 3 Cyl / 6 Valves Engine Code: '3013'			1
Filters				
Spin-on fuel filter		1006374 1174089 1383100	KC 227	1
2	3.3100" 122 CID (2.0L) 4 Cyl / 8 Valves Engine Code: '3014'			2
Filters				
Spin-on fuel filter		1006374 1174089 1383100	KC 227	1
3	3.8200" 180 CID (3.0L) 4 Cyl / 8 Valves Engine Code: '3034'			3
Filters				
Spin-on fuel filter		1006374 1174089 1383100	KC 227	1
4	3.9370" 243 CID (4.0L) 4 Cyl / 8 Valves Engine Code: '3054'			4
Filters				
Spin-on oil filter		7W2327 7W6221 9Y4479	OC 37	1
		5C1791 7W2326 9Y4458	OC 42	1
Spin-on fuel filter		1006374 1174089 1383100	KC 227	1
5	3.9370" 365 CID (6.0L) 6 Cyl Engine Code: '3056'			5
Engine Gaskets				
Engine Cylinder Head Gasket Set	Consolidated Set, Covers OE# Head Sets 1873615, 2400205	See Note	HS54515	1
Filters				
Spin-on oil filter		7W2327 7W6221 9Y4479	OC 37	1
Spin-on fuel filter		1006374 1174089 1383100	KC 227	1
6	4.0160" 389 CID (6.4L) 6 Cyl / 12 Valves Engine Code: '3066'			6
Turbochargers				
Turbocharger		see at page 485	127 TC 15123 000	1
Crankshaft				
Crankshaft		1253005	247-5235	1

PART	NOTES	OE INTERCHANGE NUMBER	PART NUMBER	PER ENGINE QTY
7	4.0200" 262 CID (4.3L) 4 Cyl / 8 Valves Engine Code: '3064'			7
Filters				
Spin-on fuel filter		1006374 1174089 1383100	KC 227	1
8	4.1300" 269 CID (4.4L) 4 Cyl / 8 Valves Engine Code: '3054E'			8
Filters				
Spin-on oil filter		5C1791 7W2326 9Y4458	OC 42	1
9	4.1300" 269 CID (4.4L) 4 Cyl / 8 Valves Engine Code: '3054C'			9
Filters				
Spin-on fuel filter		1006374 1174089 1383100	KC 227	1
10	4.1340" 268 CID (4.4L) 4 Cyl / 8 Valves Engine Code: '3114'			10
Cylinder Components				
Piston	17.6:1 CR	1051710	224-3361	4
Piston (Bare)	17.6:1 CR, Use With Part Number 223-1853 And 223-5516	1051710	224-3361X	4
Ring Set	Top OE# 1077787, Intermediate OE# 4P1807, Oil OE# 4P1806	7E5213	S41771	4
Piston Pin	1.5748" Diameter, 3.346" Length	7C0115	223-1853	4
		7C3901	223-1930	4
Lock Ring	2 Per Package	7C0111	223-5516	4
Engine Gaskets				
Engine Cylinder Head Gasket		6I4689 7W9955	54215	1
Engine Valve Stem Seal Set	Sold in Package of 2	1193036	B45898	8
Miscellaneous Gaskets				
Engine Coolant Thermostat Seal	Packaged in Quantities of 20	3S9643	GS27706	20
Bearings				
Connecting Rod Bearing		2246638	CB-1620P	4
		7C6976	CB-1620P-.25MM	
		7C6977	CB-1620P-.50MM	
Main Bearing Set	Standard Size Set Contains OE# 1011530(3), 1077708, 2124893, .25MM Undersize Set Contains OE# 1450162, 1450163(3), 2295153, .50MM Undersize Set Contains OE# 1450164, 1650165(3), 2295154	See Note	MS-2064P	1
		See Note	MS-2064P-.25MM	
		See Note	MS-2064P-.50MM	
Camshaft Bearing Set	Contains 2W7213(4) And 216-5586	See Note	SH-1765S	1
Piston Pin Bushing		2W0027	223-3695	4
Valve Train & Ancillary				
Valve (Intake)	1.850" Head Diameter, 6.976" Length, .315" Stem, 30 Degree, 1 Groove, 12 Valve	7W8064	211-4193	4

PART	NOTES	OE INTERCHANGE NUMBER	PART NUMBER	PER ENGINE QTY
10 (cont.)	4.1340" 268 CID (4.4L) 4 Cyl / 8 Valves Engine Code: '3114'			10 (cont.)

Filters

Spin-on fuel filter		1006374 1174089 1383100	KC 227	1
----------------------------	--	-------------------------------	---------------	---

11	4.1340" 403 CID (6.6L) 6 Cyl / 12 Valves; Turbocharged Engine Code: '3116'			11
-----------	--	--	--	-----------

Cylinder Components

Cylinder Sleeve (Dry)		7C6208	226-4579	6
Piston	16.0:1 CR	4P2990	224-3360	6
Piston (Bare)	16.0:1 CR	4P2990	224-3360X	6
		7E3428	224-3749X	6
Piston Skirt		238-2716	224-3714X•	6
		Exclusive	224-3749X.50MM	
Ring Set	Top OE# 1077787, Intermediate OE# 4P1807, Oil OE# 4P1806	7E5213	S41771	6
	Supersedes To S41771	See Note	S41772	6
Piston Pin	1.5748" Diameter, 3.346" Length	7C0115	223-1853	6
		7C3901	223-1930	6
Lock Ring	2 Per Package	7C0111	223-5516	6

Engine Gaskets

Engine Cylinder Head Gasket Set		1002953	HS54156-1	1
	Supersedes To HS54192-2	See Note	HS54192-1	1
	Consolidated Set	1002951 2812813	HS54192-2	1
		2646898	HS54192-3	1
		7X2829	HS54192-6	1
Engine Conversion Gasket Set		2664325	CS54192	1
In-frame Overhaul Set	Covers OE# 2812813, 2682932 Head Sets And 2163816 Pan Gasket	See Note	EK3529	1
	Covers OE# 2648929 Head Set And 2163816 Pan Gasket, For Non Cover Plate Engines	See Note	EK3530	1
Engine Cylinder Head Gasket		1077832	54156	1
Engine Valve Stem Seal Set	Sold in Package of 2	1193036	B45898	12
Engine Oil Pan Gasket Set	Gaskets And Seals	2613816	OS32216	1

Miscellaneous Gaskets

Engine Coolant Thermostat Seal	Packaged in Quantities of 20	3S9643	GS27706	20
---------------------------------------	------------------------------	--------	----------------	----

Bearings

Connecting Rod Bearing		2246638	CB-1620P	6
		7C6976	CB-1620P-.25MM	
		7C6977	CB-1620P-.50MM	

PART	NOTES	OE INTERCHANGE NUMBER	PART NUMBER	PER ENGINE QTY
11 (cont.)	4.1340" 403 CID (6.6L) 6 Cyl / 12 Valves; Turbocharged Engine Code: '3116'			11 (cont.)

Bearings (cont.)

Main Bearing Set	Blocks With Grooved Main Housing Bore, Standard Size Set Contains OE# 1011530(3), 1077708(3), 2124893, .25MM Undersize Set Contains OE# 1450162(3), 1450163(3), 2295153, .50MM Undersize Set Contains OE# 1450164(3),1450165(3), 2295154	See Note	MS-2065P	1
		See Note	MS-2065P-.25MM	
		See Note	MS-2065P-.50MM	
	Except Blocks With Grooved Main Housing Bore, .25MM Undersize Set Contains OE# 1450162(6), 2295153, .50MM Undersize Set Contains OE# 1450164(6), 2295154	1969519	MS-2219P	1
See Note	MS-2219P-.25MM			
See Note	MS-2219P-.50MM			
Camshaft Bearing Set	Contains OE# 2W7213(6) And 216-5586	See Note	SH-1764S•	1
Piston Pin Bushing		2W0027	223-3695	6

Valve Train & Ancillary

Valve (Intake)	1.850" Head Diameter, 6.976" Length, .315" Stem, 30 Degree, 1 Groove, 12 Valve	7W8064	211-4193	6
-----------------------	--	--------	-----------------	---

Filters

Spin-on oil filter		3Y900 3Y900X	OC 121	1
Spin-on fuel filter		1006374 1174089 1383100	KC 227	1
		1P2299 1R0711	KC 28	1

Turbochargers

Turbocharger		see at page 485	127 TC 21101 000	1
---------------------	--	-----------------	-------------------------	---

Crankshaft

Crankshaft		1051725	247-5203	1
-------------------	--	---------	-----------------	---

12 **4.3300" 442 CID (7.2L) 6 Cyl**
Engine Code: '3126'

12

Cylinder Components

Piston Skirt		2382726	224-3794X•	6
		Exclusive	224-3794X.020	
Ring Set	3.5MM Top Ring	See Note	S42205	6

Engine Gaskets

Engine Conversion Gasket Set		2664325	CS54192	1
	Consolidated Set	2974835 3341066	CS54841-1•	1
Engine Valve Stem Seal Set	Sold in Package of 2	1193036	B45898	12
Valve Stem Seal (Intake)	3 Valve Version	1478214	B45957	12
Valve Stem Seal (Exhaust)	3 Valve Version	1632478	B45978	6
Engine Oil Pan Gasket Set	Gaskets And Seals	2613816	OS32216	1
Engine Timing Cover Gasket Set		2974827 3125775 3255169	JV5165•	1
Engine Timing Cover Seal		4R8831	67950•	1

PART	NOTES	OE INTERCHANGE NUMBER	PART NUMBER	PER ENGINE QTY
12 (cont.)	4.3300" 442 CID (7.2L) 6 Cyl Engine Code: '3126'			12 (cont.)
Engine Gaskets (cont.)				
Rear Main Seal Set		2900528 2919157	JV1731•	1
		2908676	JV1732•	1
Rear Main Seal		2223910	67948•	1
		2223909	67956•	1
Miscellaneous Gaskets				
Engine Oil Cooler Gasket Set		2974829	GS33655•	1
Bearings				
Connecting Rod Bearing		2246638	CB-1620P	6
		7C6976	CB-1620P-.25MM	
		7C6977	CB-1620P-.50MM	
Main Bearing Set	Blocks With Grooved Main Housing Bore, Standard Size Set Contains OE# 1011530(3), 1077708(3), 2124893, .25MM Undersize Set Contains OE# 1450162(3), 1450163(3), 2295153, .50MM Undersize Set Contains OE# 1450164(3),1450165(3), 2295154	See Note	MS-2065P	1
		See Note	MS-2065P-.25MM	
		See Note	MS-2065P-.50MM	
	Except Blocks With Grooved Main Housing Bore, .25MM Undersize Set Contains OE# 1450162(6), 2295153, .50MM Undersize Set Contains OE# 1450164(6), 2295154	1969519	MS-2219P	1
See Note	MS-2219P-.25MM			
See Note	MS-2219P-.50MM			
Camshaft Bearing Set	Contains OE# 2W7213(6) And 216-5586	See Note	SH-1764S•	1
Piston Pin Bushing		2W0027	223-3695	6
Filters				
Spin-on oil filter		1R0716 2P4005	OC 484	1
Spin-on fuel filter		1006374 1174089 1383100	KC 227	1
	Water Separator	1335673	KC 430D	1
Turbochargers				
Turbocharger	For 3126B 1997-2000	see at page 485	127 TC 21005 000	1
		see at page 485	127 TC 21208 000•	1
		see at page 485	127 TC 21211 000	1
		see at page 485	127 TC 21213 000	1
Turbocharger Service Kit		Exclusive	127 TS 21206 100•	1
Crankshaft				
Crankshaft		1051725	247-5203	1

13	4.3310" 441 CID (7.2L) 6 Cyl / 18 Valves; Turbocharged Engine Code: 'C7'			13
-----------	--	--	--	-----------

Cylinder Components				
Piston (Bare)		2382698	224-3791X•	6
		2629288	224-3803X•	6
		262-7330	224-3804X•	6
Piston Skirt		2382726	224-3794X•	6
		Exclusive	224-3794X.020	
Ring Set	3.5MM Top Ring	See Note	S42205	6



PART	NOTES	OE INTERCHANGE NUMBER	PART NUMBER	PER ENGINE QTY
13 (cont.)	4.3310" 441 CID (7.2L) 6 Cyl / 18 Valves; Turbocharged Engine Code: 'C7'			13 (cont.)
Cylinder Components (cont.)				
Piston Pin		1687224	223-1962	6
		1687226	223-1964•	6
Lock Ring	2 Per Package	7X2908	223-5543•	6
	2 Per Package	1979372	223-5547•	6
Engine Gaskets				
Engine Cylinder Head Gasket Set		308-5931 308-6320	HS54841-1•	1
		3205170 3259472 3313950	HS54841-2•	1
		297-4830 297-5350 298-2111	HS54841-3•	1
		3184327	HS54841-4•	1
Engine Conversion Gasket Set	Consolidated Set	2974835 3341066	CS54841-1•	1
	Isolation Pan Gasket	3087214 3259469	CS54841-2•	1
		Exclusive	CS54841-3•	1
Engine Valve Cover Gasket		2720388	VS50626•	1
		3044924	VS50630•	1
		2175701	VS50631•	1
Valve Stem Seal (Intake)		1478214	B45957	12
Valve Stem Seal (Exhaust)		1632478	B45978	6
Engine Intake Manifold Gasket Set		1443472	MS19856•	1
Exhaust Manifold Gasket Set		2721956	MS19855•	6
Engine Oil Pan Gasket Set	Gaskets And Seals	2613816	OS32216	1
		1662905	OS32412•	1
Engine Timing Cover Gasket Set		2974828 3291383	JV5164•	1
		2974827 3125775 3255169	JV5165•	1
		2457339	67949•	1
Engine Timing Cover Seal		4R8831	67950•	1
		2900528 2919157	JV1731•	1
Rear Main Seal Set		2908676	JV1732•	1
		2223910	67948•	1
Rear Main Seal		2223909	67956•	1

PART	NOTES	OE INTERCHANGE NUMBER	PART NUMBER	PER ENGINE QTY
13 (cont.)	4.3310" 441 CID (7.2L) 6 Cyl / 18 Valves; Turbocharged Engine Code: 'C7'			13 (cont.)

Miscellaneous Gaskets

Turbocharger Mounting Gasket Set		2690064	GS33660•	1
		3184328	GS33666•	1
Engine Oil Cooler Gasket Set		2974829	GS33655•	1
Fuel Injector Seal Kit	Contains Fuel Injector O-Rings 1482903, 1093207, 1698598, 290730 And 1495240	See Note	GS33657•	6
	Contains Fuel Injector O-Rings 2634016 And 2730302	See Note	GS33658•	6
Engine Water Pump Housing Gasket		Exclusive	GS33659•	1

Bearings

Connecting Rod Bearing		2246638	CB-1620P	6
		7C6976	CB-1620P-.25MM	
		7C6977	CB-1620P-.50MM	
Main Bearing Set	Except Blocks With Grooved Main Housing Bore, .25MM Undersize Set Contains OE# 1450162(6), 2295153, .50MM Undersize Set Contains OE# 1450164(6), 2295154	1969519	MS-2219P	1
		See Note	MS-2219P-.25MM	
		See Note	MS-2219P-.50MM	
Camshaft Bearing Set	Contains OE# 2W7213(6) And 216-5586	See Note	SH-1764S•	1
Piston Pin Bushing		2W0027	223-3695	6

Turbochargers

Turbocharger		see at page 485	127 TC 21204 000	1
		see at page 485	127 TC 21206 000•	1
		see at page 485	127 TC 21211 000	1

14	4.4100" 537 CID (8.8L) 6 Cyl / 24 Valves; Turbocharged Engine Code: 'C9'			14
-----------	--	--	--	-----------

Cylinder Components

Lock Ring	2 Per Package	7X2908	223-5543•	6
------------------	---------------	--------	------------------	---

Bearings

Connecting Rod Bearing		2133190	CB-1932P•	6
		2822478	CB-1932P-.25MM	
Main Bearings		1512939	MB-3977P	7
		2821771	MB-3977P-.25MM	
Thrust Washer Set	Contains 2 Pieces	2463150	TW-702S	1
Camshaft Bearing	Intermediate, Position 2-3	20 3580 5	SH-2174•	2
	Rear, Position Number 4	20 3609 0	SH-2175•	1
	Front, Position Number 1	21 6558 6	SH-2176	1
Piston Pin Bushing		1608194	223-3702	6

Filters

Spin-on fuel filter	Water Separator	1335673	KC 430D	1
----------------------------	-----------------	---------	----------------	---

Turbochargers

Turbocharger		see at page 485	127 TC 21202 000	1
---------------------	--	-----------------	-------------------------	---

Crankshaft

Crankshaft		2611544	247-5232•	1
-------------------	--	---------	------------------	---

PART	NOTES	OE INTERCHANGE NUMBER	PART NUMBER	PER ENGINE QTY
15	4.5000" 350 CID (5.7L) 4 Cyl / 8 Valves D 330 Series			15

Cylinder Components

Cylinder Sleeve Assembly	Contains Piston OE# 2M5558	see at page 146	226-1685	4
Cylinder Sleeve		8S2240	226-4518	4
Cylinder Sleeve (Bare)	Use With Part Number 223-7132	8S2240	226-4518X	4
Piston (Bare)	No Heat Plug, Contained Within 226-1685, Use With Part Number 223-1829, 223-5503 And S40574	2M5558	224-3202X	4
Ring Set	3 Ring Piston, Top OE# 3S4027, Intermediate OE# 3S4026, Oil OE# 9S4867	9S8704	S40574	4
Piston Pin	1.500" Diameter, 3.730" Length	7N9804	223-1829	4
Lock Ring	2 Per Package	9H4015	223-5503	4
Sleeve O-Ring Kit		3S3977	223-7132	4

Bearings

Connecting Rod Bearing		4W5739	CB-619AL	4	
		8N8221	CB-619AL-10		
		8N8222	CB-619AL-20		
		8N8223	CB-619AL-30		
		Exclusive	CB-619AL-50		
Main Bearing Set	Contains Straight Shell Bearings, Thin Wall .156", Requires Thrust Washers, Not Included	2323233	MS-1113AL	1	
		8N8225	MS-1113AL-10		
		8N8226	MS-1113AL-20		
		8N8227	MS-1113AL-30		
Main Bearings	Straight Shell Bearing	2323233	MB-2580AL	4	
		8N8225	MB-2580AL-10		
		8N8226	MB-2580AL-20		
Thrust Washer Set	Contains 2 Pieces .232" Oversize Length, Contains 2 Pieces .215" Oversize Length, Contains 2 Pieces	6N8940	TW-252S	1	
		9S3037	TW-409S	1	
		1003652	TW-693S•	1	
		6N8940	MB-2580W	2	
Thrust Washer (Individual)		6N8940	MB-2580W	2	
		.232" Oversize Length	9S3037	MB-3057W	2
		.215" Oversize Length	1003652	MB-3451W	2

Valve Train & Ancillary

Valve (Intake)	1.895" Head Diameter, 6.562" Length, .3717" Stem, 30 Degree Seat, 2 Groove	7M7358	211-2490	4
Valve (Exhaust)	Stellite, 1.770" Head Diameter, 6.562" Length, .3717" Stem, 30 Degree Seat, 2 Groove	9M4163	211-2489	4
Valve Guide (Intake & Exhaust)	.3771" ID, .6577" OD, 3.220" Length, Old Style Flanged	5M8023 5S4507	217-4053	8



PART	NOTES	OE INTERCHANGE NUMBER	PART NUMBER	PER ENGINE QTY
15 (cont.)	4.5000" 350 CID (5.7L) 4 Cyl / 8 Valves D 330 Series			15 (cont.)
Valve Train & Ancillary (cont.)				
Valve Spring	Intake And Exhaust	9H9164	212-1398	8
Filters				
Spin-on fuel filter		1P2299 1R0711	KC 28	1
Crankshaft				
Crankshaft	Without Gear	8M4505	247-5136	1

16	4.5000" 318 CID (2.5L) 4 Cyl / 8 Valves Engine Code: '3204'			16
Cylinder Components				
Cylinder Sleeve	Semi-Finished, Install Bore and Hone Sleeve, Sleeve Has .0265"-.0295" Extra Stock Of Material On ID Of Sleeve For Boring, 4.500" Bore, .0937" Wall, 7.740" Length, Honable	9N6275	226-4487	4
	Semi-Finished, Install and Hone Sleeve, Sleeve ID Is 4.4965"/4.4945", Allowing It To Be Honed To 4.5020"/4.5005", .0937" Wall, 7.740" Length, Boreable	7W2293	226-4510	4
Piston	16.5:1 CR, 2 Ring, Tapered Rod	2W4831	224-2188	4
	16.5:1 CR, 3 Ring Piston, Tapered Rod, Dual Ni-Resist Inserts	7E4729	224-2568	4
		Exclusive	224-2568.020	
Exclusive	224-2568.040			
Piston (Bare)	16.5:1 CR, Not For Arrangement Numbers 4N0169 And 4N0303, Pistons On These Engines Have Valve Relief And Less Clearance, 2 Ring, Tapered Rod, Contained Within 225-2513, Use With Part Number 223-1836 And 223-5506	2W4831	224-2188X	4
		2W8410	224-2188X.020	
	16.5:1 CR, 3 Ring Piston, Tapered Rod, Dual Ni-Resist Inserts, Contained Within 225-2738, Not For Arrangement Numbers 4N0169 And 4N0303, Pistons On These Engines Have Valve Relief And Less Clearance, Use With Part Number 223-1836 And 223-5506	7E4729	224-2568X	4
Rebore Kit	Supersedes To 225-2513	See Note	224-2513	4
		See Note	224-2513.020	
	Supersedes To 225-2738	See Note	224-2738	4
		See Note	224-2738.020	
		See Note	224-2738.040	
	16.5:1 CR, 2 Ring Piston, Tapered Rod, Set Contains OE# 2W4831 Piston, 7N9803 Pin, 8N7294 Locks And OE Rings Set 2W8646	1W5793	225-2513	4
2W4831				
1W2071		225-2513.020		
16.5:1 CR, 3 Ring Piston, Tapered Rod, Dual Ni-Resist Inserts, Offset Mexican Hat Recessed Head, Contains Piston OE# 7E4729, Pin OE# 7N9803, Locks OE#8N7294 , Contains Rings: Top OE# 1303987, Intermediate OE# 1303997, Oil OE# 7E9297	7E4729	225-2738	4	
	7E4729(.020)	225-2738.020		
	2W8647	225-2738.040		
	7E4729(.040)			
Ring Set	3 Ring Keystone, Top OE# 1303987, Intermediate OE# 1303997, Oil OE# 7E9297	2W8265(3R)(KS)	S41542	4
		2W8646(3R)(KS)	S41542.020	
		2W8647(3R)(KS)	S41542.040	
	2 Ring Piston	2W8265	S41883	4
		2W8646	S41883.020	
Piston Pin	1.499" Diameter, 3.205" Length	7N9803	223-1836	4
Lock Ring	2 Per Package	8N7294	223-5506	4

PART	NOTES	OE INTERCHANGE NUMBER	PART NUMBER	PER ENGINE QTY
16 (cont.)	4.5000" 318 CID (2.5L) 4 Cyl / 8 Valves Engine Code: '3204'			16 (cont.)
Engine Gaskets				
Engine Cylinder Head Gasket		7W2059	54151	1
Engine Valve Stem Seal Set		7W9143	B46016	8
Engine Timing Cover Seal		7K9201	49353	1
Bearings				
Connecting Rod Bearing		8N6308	CB-1599P	4
		1N3821	CB-1599P-10	
		1N3822	CB-1599P-20	
Main Bearing Set	Standard Size OE# 1003652(2), 1W0312(3), 1W0311(2), .010" Undersize Set Contains OE# 1003652 (2), 1W1661(3), 1W1655(2)	See Note	MS-2000P	1
		See Note	MS-2000P-10	
	From Engine Serial Number 45V1 Standard Size Set Contains OE# 4W8093(3), 4W8092(2), .010" Undersize Set Contains OE# 8N8976(3), 8N9022(2), .020" Undersize Set Contains OE# 8N8972(3), 8N9023(2)	See Note	MS-2020P	1
		See Note	MS-2020P-10	
		See Note	MS-2020P-20	
See Note	MS-2020P-30			
Main Bearings	From Engine Serial Number 45V1 Straight Shell Bearing, Center Locating Lug, 3 Oil Holes, Non-Grooved Bearing	4W8093	MB-2733P	3
		8N8976	MB-2733P-10	
		8N8972	MB-2733P-20	
		4W8093(.030)	MB-2733P-30	
	From Engine Serial Number 45V1 Straight Shell Bearing	4W8092	MB-2734P	2
		8N9022	MB-2734P-10	
		8N9023	MB-2734P-20	
		4W8092(.030)	MB-2734P-30	
	Position 2 and 4, Straight Shell Bearing	1W0311	MB-3414P	2
		1W1665	MB-3414P-10	
	Position 1, 3 and 5, Straight Shell Bearing	1W0312	MB-3415P	3
		1W1661	MB-3415P-10	
	Thrust Washer Set	From Engine Serial Number 45V1 Contains 2 Pieces	6N8940	TW-252S
.232" Oversize Length, Contains 2 Pieces		9S3037	TW-409S	1
.215" Oversize Length, Contains 2 Pieces		1003652	TW-693S•	1
Thrust Washer (Individual)		6N8940	MB-2580W	2
	.232" Oversize Length	9S3037	MB-3057W	2
	.215" Oversize Length	1003652	MB-3451W	2
Camshaft Bearing Set	Contains OE# 9N5246(2) And 1W5920	See Note	SH-2178S•	1
Valve Train & Ancillary				
Valve Seat Insert (Intake)	1.562" ID, 1.812" OD, .3650" Depth	4N5893	218-7806	4
Turbochargers				
Turbocharger		see at page 485	127 TC 15121 000	1
Crankshaft				
Crankshaft	With Gear	1W9771	247-5103	1

PART	NOTES	OE INTERCHANGE NUMBER	PART NUMBER	PER ENGINE QTY
17	4.5000" 350 CID (5.7L) 4 Cyl / 8 Valves; Turbocharged Engine Code: '1670'			17

Bearings

Connecting Rod Bearing		4W5739	CB-619AL	4
		8N8221	CB-619AL-10	
		8N8222	CB-619AL-20	
		8N8223	CB-619AL-30	
		Exclusive	CB-619AL-50	
Main Bearing Set	Contains Straight Shell Bearings, Thin Wall .156", Requires Thrust Washers, Not Included	2323233	MS-1113AL	1
		8N8225	MS-1113AL-10	
		8N8226	MS-1113AL-20	
		8N8227	MS-1113AL-30	
	Contains Lower Half Flanged Bearing, Thin Wall .156", Standard Set Contains OE# 2323233(4), 7S9439, .010" Undersize Set Contains OE# 3148652(4), 7S9844, .020" Undersize Set Contains OE# 8N8226(4), 7S9845	See Note	MS-957AL	1
		See Note	MS-957AL-10	
		See Note	MS-957AL-20	
Main Bearings	Straight Shell Bearing	2323233	MB-2580AL	4
		8N8225	MB-2580AL-10	
		8N8226	MB-2580AL-20	
		8N8227	MB-2580AL-30	
	Flanged Bearing	7S9439	MB-2581AL	1
		7S9844	MB-2581AL-10	
		7S9845	MB-2581AL-20	
Thrust Washer Set	Contains 2 Pieces	6N8940	TW-252S	1
	.232" Oversize Length, Contains 2 Pieces	9S3037	TW-409S	1
	.215" Oversize Length, Contains 2 Pieces	1003652	TW-693S•	1
Thrust Washer (Individual)		6N8940	MB-2580W	2
	.232" Oversize Length	9S3037	MB-3057W	2
	.215" Oversize Length	1003652	MB-3451W	2

18	4.5000" 350 CID (5.7L) 4 Cyl / 8 Valves; Sleeved Engine Engine Codes: 'D315, D315G'			18
-----------	---	--	--	-----------

Cylinder Components

Cylinder Sleeve		4F6486	226-4532	4
Cylinder Sleeve (Bare)	Use With Part Number 223-7107	4F6486	226-4532X	4
Piston (Bare)	No Heat Plug, Use With Part Number 223-1828 And 223-5504	8H2000	224-3228X	4
Piston Pin	1.812" Diameter, 3.781" Length	4M5489	223-1828	4
Lock Ring	2 Per Package	4F7021	223-5504	4
Sleeve O-Ring Kit		3S3977	223-7107	4

Bearings

Connecting Rod Bearing		4W5739	CB-619AL	4
		8N8221	CB-619AL-10	
		8N8222	CB-619AL-20	
		8N8223	CB-619AL-30	
		Exclusive	CB-619AL-50	

PART	NOTES	OE INTERCHANGE NUMBER	PART NUMBER	PER ENGINE QTY
18 (cont.)	4.5000" 350 CID (5.7L) 4 Cyl / 8 Valves; Sleeved Engine Engine Codes: 'D315, D315G'			18 (cont.)

Bearings (cont.)

Main Bearing Set	Contains Straight Shell Bearings, Thin Wall .156", Requires Thrust Washers, Not Included	2323233	MS-1113AL	1
		8N8225	MS-1113AL-10	
		8N8226	MS-1113AL-20	
		8N8227	MS-1113AL-30	
	Contains Lower Half Flanged Bearing, Thin Wall .156", Standard Set Contains OE# 2323233(4), 7S9439, .010" Undersize Set Contains OE# 3148652(4), 7S9844, .020" Undersize Set Contains OE# 8N8226(4), 7S9845	See Note	MS-957AL	1
		See Note	MS-957AL-10	
See Note		MS-957AL-20		
Main Bearings	Straight Shell Bearing	2323233	MB-2580AL	4
		8N8225	MB-2580AL-10	
		8N8226	MB-2580AL-20	
		8N8227	MB-2580AL-30	
	Flanged Bearing	7S9439	MB-2581AL	1
		7S9844	MB-2581AL-10	
		7S9845	MB-2581AL-20	
Thrust Washer Set	Contains 2 Pieces	6N8940	TW-252S	1
	.232" Oversize Length, Contains 2 Pieces	9S3037	TW-409S	1
	.215" Oversize Length, Contains 2 Pieces	1003652	TW-693S•	1
Thrust Washer (Individual)		6N8940	MB-2580W	2
	.232" Oversize Length	9S3037	MB-3057W	2
	.215" Oversize Length	1003652	MB-3451W	2

Valve Train & Ancillary

Valve (Intake)	2.028 Head Diameter, 7.788" Length, .0365" Stem, 44 Degree Seat, Tapered Lock Groove	6H3026	211-3350	4
Valve Guide	.4405" ID, .8140" OD, 4.250" Length	4H0621	217-3283	8
Valve Spring	Inner	5F3111	212-1395	8
Valve Seat Insert (Intake)	1.562" ID, 1.812" OD, .3650" Depth	4N5893	218-7806	4

19	4.5000" 525 CID (8.6L) 6 Cyl / 12 Valves Engine Code: 'D333A'			19
-----------	---	--	--	-----------

Cylinder Components

Cylinder Sleeve Assembly	Contains Piston OE# 2M5558	see at page 146	226-1685	6
Cylinder Sleeve		8S2240	226-4518	6
Cylinder Sleeve (Bare)	Use With Part Number 223-7132	8S2240	226-4518X	6
Piston (Bare)	No Heat Plug, Contained Within 226-1685, Use With Part Number 223-1829, 223-5503 And S40574	2M5558	224-3202X	6
Ring Set	3 Ring Piston, Top OE# 3S4027, Intermediate OE# 3S4026, Oil OE# 9S4867	9S8704	S40574	6
Piston Pin	1.500" Diameter, 3.730" Length	7N9804	223-1829	6
Lock Ring	2 Per Package	9H4015	223-5503	6
Sleeve O-Ring Kit		3S3977	223-7132	6

PART	NOTES	OE INTERCHANGE NUMBER	PART NUMBER	PER ENGINE QTY
19 (cont.)	4.5000" 525 CID (8.6L) 6 Cyl / 12 Valves Engine Code: 'D333A'			19 (cont.)

Bearings

Connecting Rod Bearing		4W5739	CB-619AL	6
		8N8221	CB-619AL-10	
		8N8222	CB-619AL-20	
		8N8223	CB-619AL-30	
		Exclusive	CB-619AL-50	
Main Bearing Set	Contains Straight Shell Bearings, Requires Thrust Washers, Not Included	2323233	MS-1114AL	1
		8N8225	MS-1114AL-10	
		8N8226	MS-1114AL-20	
		8N8227	MS-1114AL-30	
	Contains Flanged Bearing, Standard Size Set Contains OE# 2323233(6), 7S9439, .010" Undersize Set Contains OE# 3148652(6), 7S9844, .020" Undersize Set Contains OE# 8N8226(6), 7S9845	See Note	MS-958AL	1
		See Note	MS-958AL-10	
		See Note	MS-958AL-20	
Main Bearings	Straight Shell Bearing	2323233	MB-2580AL	6
		8N8225	MB-2580AL-10	
		8N8226	MB-2580AL-20	
		8N8227	MB-2580AL-30	
	Flanged Bearing	7S9439	MB-2581AL	1
		7S9844	MB-2581AL-10	
		7S9845	MB-2581AL-20	
Thrust Washer Set	Contains 2 Pieces	6N8940	TW-252S	1
	.232" Oversize Length, Contains 2 Pieces	9S3037	TW-409S	1
	.215" Oversize Length, Contains 2 Pieces	1003652	TW-693S•	1
Thrust Washer (Individual)		6N8940	MB-2580W	2
	.232" Oversize Length	9S3037	MB-3057W	2
	.215" Oversize Length	1003652	MB-3451W	2

Valve Train & Ancillary

Valve (Intake)	1.895" Head Diameter, 6.562" Length, .3717" Stem, 30 Degree Seat, 2 Groove	7M7358	211-2490	6
Valve (Exhaust)	Stellite, 1.770" Head Diameter, 6.562" Length, .3717" Stem, 30 Degree Seat, 2 Groove	9M4163	211-2489	6
Valve Guide (Intake & Exhaust)	.3771" ID, .6577" OD, 3.220" Length, Old Style Flanged	5M8023 5S4507	217-4053	12
Valve Spring	Intake And Exhaust	9H9164	212-1398	12

20	4.5000" 525 CID (8.6L) 6 Cyl / 12 Valves Engine Code: 'D318G'			20
-----------	---	--	--	-----------

Cylinder Components

Cylinder Sleeve		4F6486	226-4532	6
Cylinder Sleeve (Bare)	Use With Part Number 223-7107	4F6486	226-4532X	6
Piston (Bare)	No Heat Plug, Use With Part Number 223-1828 And 223-5504	8H2000	224-3228X	6
Piston Pin	1.812" Diameter, 3.781" Length	4M5489	223-1828	6
Lock Ring	2 Per Package	4F7021	223-5504	6
Sleeve O-Ring Kit		3S3977	223-7107	6

PART	NOTES	OE INTERCHANGE NUMBER	PART NUMBER	PER ENGINE QTY
20 (cont.)	4.5000" 525 CID (8.6L) 6 Cyl / 12 Valves Engine Code: 'D318G'			20 (cont.)

Bearings

Connecting Rod Bearing		4W5739	CB-619AL	6
		8N8221	CB-619AL-10	
		8N8222	CB-619AL-20	
		8N8223	CB-619AL-30	
		Exclusive	CB-619AL-50	
Main Bearing Set	Contains Straight Shell Bearings, Requires Thrust Washers, Not Included	2323233	MS-1114AL	1
		8N8225	MS-1114AL-10	
		8N8226	MS-1114AL-20	
		8N8227	MS-1114AL-30	
	Contains Flanged Bearing, Standard Size Set Contains OE# 2323233(6), 7S9439, .010" Undersize Set Contains OE# 3148652(6), 7S9844, .020" Undersize Set Contains OE# 8N8226(6), 7S9845	See Note	MS-958AL	1
		See Note	MS-958AL-10	
		See Note	MS-958AL-20	
Main Bearings	Straight Shell Bearing	2323233	MB-2580AL	6
		8N8225	MB-2580AL-10	
		8N8226	MB-2580AL-20	
		8N8227	MB-2580AL-30	
	Flanged Bearing	7S9439	MB-2581AL	1
		7S9844	MB-2581AL-10	
		7S9845	MB-2581AL-20	
Thrust Washer Set	Contains 2 Pieces	6N8940	TW-252S	1
	.232" Oversize Length, Contains 2 Pieces	9S3037	TW-409S	1
	.215" Oversize Length, Contains 2 Pieces	1003652	TW-693S•	1
Thrust Washer (Individual)		6N8940	MB-2580W	2
	.232" Oversize Length	9S3037	MB-3057W	2
	.215" Oversize Length	1003652	MB-3451W	2

Valve Train & Ancillary

Valve (Intake)	2.028 Head Diameter, 7.788" Length, .0365" Stem, 44 Degree Seat, Tapered Lock Groove	6H3026	211-3350	6
Valve Guide	.4405" ID, .8140" OD, 4.250" Length	4H0621	217-3283	12
Valve Spring	Inner	5F3111	212-1395	12
Valve Seat Insert	Exhaust, 1.625" ID, 1.912" OD, .281" Depth	9N2837	218-7807	6
	Intake, 1.859" ID, 2.150" OD, .2920" Depth	2N8943	218-7808	6

21	4.5000" 525 CID (8.6L) 6 Cyl Engine Code: 'D333B'			21
-----------	---	--	--	-----------

Cylinder Components

Cylinder Sleeve		8S2240	226-4518	6
Cylinder Sleeve (Bare)	Use With Part Number 223-7132	8S2240	226-4518X	6
Ring Set	3 Ring Piston, Top OE# 3S4027, Intermediate OE# 3S4026, Oil OE# 9S4867	9S8704	S40574	6
Piston Pin	1.699" Diameter, 3.730" Length	7N9805	223-1835	6
Lock Ring	2 Per Package	1S9543	223-5502	6
Sleeve O-Ring Kit		3S3977	223-7132	6

PART	NOTES	OE INTERCHANGE NUMBER	PART NUMBER	PER ENGINE QTY
21 (cont.)	4.5000" 525 CID (8.6L) 6 Cyl Engine Code: 'D333B'			21 (cont.)

Bearings

Connecting Rod Bearing		4W5739	CB-619AL	6
		8N8221	CB-619AL-10	
		8N8222	CB-619AL-20	
		8N8223	CB-619AL-30	
		Exclusive	CB-619AL-50	
Main Bearing Set	Contains Straight Shell Bearings, Requires Thrust Washers, Not Included	2323233	MS-1114AL	1
		8N8225	MS-1114AL-10	
		8N8226	MS-1114AL-20	
		8N8227	MS-1114AL-30	
	Contains Flanged Bearing, Standard Size Set Contains OE# 2323233(6), 7S9439, .010" Undersize Set Contains OE# 3148652(6), 7S9844, .020" Undersize Set Contains OE# 8N8226(6), 7S9845	See Note	MS-958AL	1
		See Note	MS-958AL-10	
		See Note	MS-958AL-20	
Main Bearings	Straight Shell Bearing	2323233	MB-2580AL	6
		8N8225	MB-2580AL-10	
		8N8226	MB-2580AL-20	
		8N8227	MB-2580AL-30	
	Flanged Bearing	7S9439	MB-2581AL	1
		7S9844	MB-2581AL-10	
		7S9845	MB-2581AL-20	
Thrust Washer Set	Contains 2 Pieces	6N8940	TW-252S	1
	.232" Oversize Length, Contains 2 Pieces	9S3037	TW-409S	1
	.215" Oversize Length, Contains 2 Pieces	1003652	TW-693S•	1
Thrust Washer (Individual)		6N8940	MB-2580W	2
	.232" Oversize Length	9S3037	MB-3057W	2
	.215" Oversize Length	1003652	MB-3451W	2

Valve Train & Ancillary

Valve (Intake)	1.895" Head Diameter, 6.562" Length, .3717" Stem, 30 Degree Seat, 2 Groove	7M7358	211-2490	6
Valve (Exhaust)	Stellite, 1.770" Head Diameter, 6.562" Length, .3717" Stem, 30 Degree Seat, 2 Groove	9M4163	211-2489	6

22	4.5000" 525 CID (8.6L) 6 Cyl Engine Codes: 'G333B, G333C'			22
-----------	---	--	--	-----------

Cylinder Components

Piston Pin	1.699" Diameter, 3.730" Length	7N9805	223-1835	6
Lock Ring	2 Per Package	1S9543	223-5502	6

Engine Gaskets

Engine Oil Pan Gasket Set	Gasket And Seals, 2 Piece Oil Pan	1694199	OS32224	1
----------------------------------	-----------------------------------	---------	----------------	---

PART	NOTES	OE INTERCHANGE NUMBER	PART NUMBER	PER ENGINE QTY
22 (cont.)	4.5000" 525 CID (8.6L) 6 Cyl Engine Codes: 'G333B, G333C'			22 (cont.)

Bearings

Connecting Rod Bearing		4W5739	CB-619AL	6
		8N8221	CB-619AL-10	
		8N8222	CB-619AL-20	
		8N8223	CB-619AL-30	
		Exclusive	CB-619AL-50	
Main Bearing Set	Contains Straight Shell Bearings, Requires Thrust Washers, Not Included	2323233	MS-1114AL	1
		8N8225	MS-1114AL-10	
		8N8226	MS-1114AL-20	
		8N8227	MS-1114AL-30	
	Contains Flanged Bearing, Standard Size Set Contains OE# 2323233(6), 7S9439, .010" Undersize Set Contains OE# 3148652(6), 7S9844, .020" Undersize Set Contains OE# 8N8226(6), 7S9845	See Note	MS-958AL	1
		See Note	MS-958AL-10	
		See Note	MS-958AL-20	
Main Bearings	Straight Shell Bearing	2323233	MB-2580AL	6
		8N8225	MB-2580AL-10	
		8N8227	MB-2580AL-30	
	Flanged Bearing	7S9439	MB-2581AL	1
		7S9844	MB-2581AL-10	
		7S9845	MB-2581AL-20	
Thrust Washer Set	Contains 2 Pieces	6N8940	TW-252S	1
	.232" Oversize Length, Contains 2 Pieces	9S3037	TW-409S	1
	.215" Oversize Length, Contains 2 Pieces	1003652	TW-693S•	1
Thrust Washer (Individual)		6N8940	MB-2580W	2
	.232" Oversize Length	9S3037	MB-3057W	2
	.215" Oversize Length	1003652	MB-3451W	2

Valve Train & Ancillary

Valve (Intake)	Stellite, 2.020" Head Diameter, 5.510" Length, .3717" Stem, 30 Degree Seat, 2 Groove, Indirect Injection, Turbocharged, 2 Valve, Spark Ignited, Short Valve	2W2621	211-2491	6
-----------------------	---	--------	-----------------	---

Crankshaft

Crankshaft	Without Gear	2W7458	247-5050	1
-------------------	--------------	--------	-----------------	---

23	4.5000" 525 CID (8.6L) 6 Cyl / 12 Valves D 333 Series			23
-----------	---	--	--	-----------

Cylinder Components

Cylinder Sleeve Assembly	Contains Piston OE# 2M5558	see at page 146	226-1685	6
Cylinder Sleeve		8S2240	226-4518	6
Cylinder Sleeve (Bare)	Use With Part Number 223-7132	8S2240	226-4518X	6
Piston (Bare)	No Heat Plug, Contained Within 226-1685, Use With Part Number 223-1829, 223-5503 And S40574	2M5558	224-3202X	6
Ring Set	3 Ring Piston, Top OE# 3S4027, Intermediate OE# 3S4026, Oil OE# 9S4867	9S8704	S40574	6
Piston Pin	1.500" Diameter, 3.730" Length	7N9804	223-1829	6
	1.699" Diameter, 3.730" Length	7N9805	223-1835	6

PART	NOTES	OE INTERCHANGE NUMBER	PART NUMBER	PER ENGINE QTY
23 (cont.)	4.5000" 525 CID (8.6L) 6 Cyl / 12 Valves D 333 Series			23 (cont.)

Cylinder Components (cont.)

Lock Ring	2 Per Package	1S9543	223-5502	6
	2 Per Package	9H4015	223-5503	6
Sleeve O-Ring Kit		3S3977	223-7132	6

Engine Gaskets

Engine Oil Pan Gasket Set	Oil Pan Gasket Only, 1 Piece Pan, Segmented for both 4 And 6 Cylinder Engines	1694200	OS32166	1
	Gasket And Seals, 2 Piece Oil Pan	1694199	OS32224	1

Valve Train & Ancillary

Valve (Intake)	1.895" Head Diameter, 6.562" Length, .3717" Stem, 30 Degree Seat, 2 Groove	7M7358	211-2490	6
	Stellite, 2.020" Head Diameter, 5.510" Length, .3717" Stem, 30 Degree Seat, 2 Groove, Indirect Injection, Turbocharged, 2 Valve, Spark Ignited, Short Valve	2W2621	211-2491	6
	Supersedes To 211-2491	2476892	211-2752	6
	Non-Stellite, 2.020" Head Diameter, 5.350" Length, .3717" Stem, 30 Degree Seat, 2 Groove, Small Margin Valve, 2 Valve	1007860	211-3339	6
Valve (Exhaust)	Stellite, 1.770" Head Diameter, 6.562" Length, .3717" Stem, 30 Degree Seat, 2 Groove	9M4163	211-2489	6
	Stellite, 1.896" Head Diameter, 5.469" Length, .3717" Stem, 30 Degree Seat, 2 Groove, Indirect Injection, Turbocharged, 2 Valve	8N0875	211-2492	6
	Supersedes To 211-2492	5S6449	211-2753	6
	1.896" Head Diameter, 5.300" Length, Stellite Face Small Margin Valve, Direct Injection	1487455	211-3306	6
Valve Guide (Intake & Exhaust)		1787502	217-3260	12
	.3771" ID, .6577" OD, 3.220" Length, Old Style Flanged	5M8023 5S4507	217-4053	12
Valve Spring	Intake And Exhaust	9H9164	212-1398	12

Filters

Spin-on fuel filter		1P2299 1R0711	KC 28	1
----------------------------	--	------------------	--------------	---

Crankshaft

Crankshaft	Without Gear	2W7458	247-5050	1
-------------------	--------------	--------	-----------------	---

24	4.5000" 525 CID (8.6L) 6 Cyl / 12 Valves Engine Code: 'D318'			24
-----------	--	--	--	-----------

Cylinder Components

Cylinder Sleeve		4F6486	226-4532	6
Cylinder Sleeve (Bare)	Use With Part Number 223-7107	4F6486	226-4532X	6
Piston (Bare)	No Heat Plug, Use With Part Number 223-1828 And 223-5504	8H2000	224-3228X	6
Ring Set	3 Ring Piston, Top OE# 3S4027, Intermediate OE# 3S4026, Oil OE# 9S4867	9S8704	S40574	6
Piston Pin	1.812" Diameter, 3.781" Length	4M5489	223-1828	6
Lock Ring	2 Per Package	4F7021	223-5504	6
Sleeve O-Ring Kit		3S3977	223-7107	6

PART	NOTES	OE INTERCHANGE NUMBER	PART NUMBER	PER ENGINE QTY
24 (cont.)	4.5000" 525 CID (8.6L) 6 Cyl / 12 Valves Engine Code: 'D318'			24 (cont.)

Bearings

Connecting Rod Bearing		4W5739	CB-619AL	6
		8N8221	CB-619AL-10	
		8N8222	CB-619AL-20	
		8N8223	CB-619AL-30	
		Exclusive	CB-619AL-50	
Main Bearing Set	Contains Straight Shell Bearings, Requires Thrust Washers, Not Included	2323233	MS-1114AL	1
		8N8225	MS-1114AL-10	
		8N8226	MS-1114AL-20	
		8N8227	MS-1114AL-30	
	Contains Flanged Bearing, Standard Size Set Contains OE# 2323233(6), 7S9439, .010" Undersize Set Contains OE# 3148652(6), 7S9844, .020" Undersize Set Contains OE# 8N8226(6), 7S9845	See Note	MS-958AL	1
		See Note	MS-958AL-10	
		See Note	MS-958AL-20	
Main Bearings	Straight Shell Bearing	2323233	MB-2580AL	6
		8N8225	MB-2580AL-10	
		8N8226	MB-2580AL-20	
		8N8227	MB-2580AL-30	
	Flanged Bearing	7S9439	MB-2581AL	1
		7S9844	MB-2581AL-10	
		7S9845	MB-2581AL-20	
Thrust Washer Set	Contains 2 Pieces	6N8940	TW-252S	1
	.232" Oversize Length, Contains 2 Pieces	9S3037	TW-409S	1
	.215" Oversize Length, Contains 2 Pieces	1003652	TW-693S•	1
Thrust Washer (Individual)		6N8940	MB-2580W	2
	.232" Oversize Length	9S3037	MB-3057W	2
	.215" Oversize Length	1003652	MB-3451W	2

Valve Train & Ancillary

Valve (Intake)	2.028 Head Diameter, 7.788" Length, .0365" Stem, 44 Degree Seat, Tapered Lock Groove	6H3026	211-3350	6
Valve Guide	.4405" ID, .8140" OD, 4.250" Length	4H0621	217-3283	12
Valve Spring	Inner	5F3111	212-1395	12
Valve Seat Insert	Exhaust, 1.625" ID, 1.912" OD, .281" Depth	9N2837	218-7807	6
	Intake, 1.859" ID, 2.150" OD, .2920" Depth	2N8943	218-7808	6

25	4.5000" 525 CID (8.6L) 6 Cyl / 12 Valves Engine Code: '1673'			25
-----------	--	--	--	-----------

Cylinder Components

Cylinder Sleeve Assembly	Contains Piston OE# 2M5558	see at page 146	226-1685	6
Cylinder Sleeve		8S2240	226-4518	6
Cylinder Sleeve (Bare)	Use With Part Number 223-7132	8S2240	226-4518X	6
Piston (Bare)	No Heat Plug, Contained Within 226-1685, Use With Part Number 223-1829, 223-5503 And S40574	2M5558	224-3202X	6
Ring Set	3 Ring Piston, Top OE# 3S4027, Intermediate OE# 3S4026, Oil OE# 9S4867	9S8704	S40574	6

PART	NOTES	OE INTERCHANGE NUMBER	PART NUMBER	PER ENGINE QTY
25 (cont.)	4.5000" 525 CID (8.6L) 6 Cyl / 12 Valves Engine Code: '1673'			25 (cont.)
Cylinder Components (cont.)				
Piston Pin	1.500" Diameter, 3.730" Length	7N9804	223-1829	6
Lock Ring	2 Per Package	9H4015	223-5503	6
Sleeve O-Ring Kit		3S3977	223-7132	6
Engine Gaskets				
Rear Main Seal Set		6V2982	JV1706	1
Bearings				
Connecting Rod Bearing		4W5739	CB-619AL	6
		8N8221	CB-619AL-10	
		8N8222	CB-619AL-20	
		8N8223	CB-619AL-30	
		Exclusive	CB-619AL-50	
Main Bearing Set	Contains Straight Shell Bearings, Requires Thrust Washers, Not Included	2323233	MS-1114AL	1
		8N8225	MS-1114AL-10	
		8N8226	MS-1114AL-20	
		8N8227	MS-1114AL-30	
Main Bearings	Straight Shell Bearing	2323233	MB-2580AL	6
		8N8225	MB-2580AL-10	
		8N8226	MB-2580AL-20	
	8N8227	MB-2580AL-30		
Main Bearings	Flanged Bearing	7S9439	MB-2581AL	1
		7S9844	MB-2581AL-10	
		7S9845	MB-2581AL-20	
Thrust Washer Set	Contains 2 Pieces	6N8940	TW-252S	1
	.232" Oversize Length, Contains 2 Pieces	9S3037	TW-409S	1
	.215" Oversize Length, Contains 2 Pieces	1003652	TW-693S	1
Thrust Washer (Individual)		6N8940	MB-2580W	2
	.232" Oversize Length	9S3037	MB-3057W	2
	.215" Oversize Length	1003652	MB-3451W	2
Valve Train & Ancillary				
Valve (Intake)	1.895" Head Diameter, 6.562" Length, .3717" Stem, 30 Degree Seat, 2 Groove	7M7358	211-2490	6
Valve (Exhaust)	Stellite, 1.770" Head Diameter, 6.562" Length, .3717" Stem, 30 Degree Seat, 2 Groove	9M4163	211-2489	6
Valve Guide (Intake & Exhaust)	.3771" ID, .6577" OD, 3.220" Length, Old Style Flanged	5M8023 5S4507	217-4053	12
Filters				
Spin-on fuel filter		1P2299 1R0711	KC 28	1

PART	NOTES	OE INTERCHANGE NUMBER	PART NUMBER	PER ENGINE QTY
26	4.5000" 636 CID (10.4L) 8 Cyl / 16 Valves Engine Codes: '1160, 3160'			26

Cylinder Components

Cylinder Sleeve	Semi-Finished, Install Bore and Hone Sleeve, Sleeve Has .0265"-.0295" Extra Stock Of Material On ID Of Sleeve For Boring, 4.500" Bore, .0937" Wall, 7.740" Length, Honable	9N6275	226-4487	8
	Semi-Finished, Install and Hone Sleeve, Sleeve ID Is 4.4965"/4.4945", Allowing It To Be Honed To 4.5020"/4.5005", .0937" Wall, 7.740" Length, Boreable	7W2293	226-4510	8
Ring Set	2 Rectangular Rings .094", Oil Ring .187"	2W8265	S41685	8
		2W8646(3R)(RECT)	S41685.020	
		2W8647(3R)(RECT)	S41685.040	
	2 Ring Piston	2W8265	S41883	8
		2W8646	S41883.020	
Piston Pin	1.499" Diameter, 3.205" Length	7N9803	223-1836	8
Lock Ring	2 Per Package	8N7294	223-5506	8

Bearings

Connecting Rod Bearing	.955" Bearing Length	9N5923	CB-972P	8
		9N5924	CB-972P-10	
		9N5925	CB-972P-20	
		Exclusive	CB-972P-30	
Main Bearing Set	Contains Upper Half Flanged Bearing, 1.253" Length Upper Half Flanged, Standard Size Set Contains OE# 4W8092(4), 4W8091, .010" Undersize Set Contains OE# 8N9022(4), 8N9065, .020" Undersize Set Contains OE# 8N9023(4), 8N9064	See Note	MS-1421P	1
		See Note	MS-1421P-10	
		See Note	MS-1421P-20	
		Exclusive	MS-1421P-30	
Main Bearing Set	Contains Upper Half Flanged Bearing, 1.253" Length Upper Half Flanged, .010" Oversize On OD, Standard Size Set Contains OE# 8N9021(4), 8N9067, .020" Undersize Set Contains OE# 8N9019(4), 8N9068	See Note	MS-1592P	1
		See Note	MS-1592P-20	
Main Bearings	Straight Shell Bearing	4W8092	MB-2734P	4
		8N9022	MB-2734P-10	
		8N9023	MB-2734P-20	
		4W8092(.030)	MB-2734P-30	
	Flanged Bearing	4W8091	MB-2735P	1
		8N9065	MB-2735P-10	
		8N9064	MB-2735P-20	
Camshaft Bearing Set		9N5246	SH-1245S	1
Piston Pin Bushing	Engines With Cylindrical Pin Bushings, Requires Boring	8N0701	223-3569	8

Valve Train & Ancillary

Valve (Intake)	2.094" Head Diameter, 5.698" Length, .3725" Stem, 45 Degree, 2 Groove, Natural And Turbo	9L9851	211-2455	8
Valve (Exhaust)	1.804" Head Diameter, 5.693" Length, .3715" Stem, 45 Degree, 2 Groove, Naturally Aspirated	9L7683	211-2456	8
Valve Guide (Intake)	2.625" OD, For Upgrading To A Replaceable Guide	6I2864	217-3307	8
Valve Guide (Exhaust)	2.9765" OD, For Upgrading To A Replaceable Guide	6I2865	217-3306	8
Valve Spring	Intake And Exhaust, Late Non-Turbo	9N3617	212-1288	16
	Intake And Exhaust, Inner	9L9172	212-1289	16
Valve Seat Insert	Exhaust, 1.625" ID, 1.912" OD, .281" Depth	9N2837	218-7807	8
	Intake, 1.859" ID, 2.150" OD, .2920" Depth	2N8943	218-7808	8

PART	NOTES	OE INTERCHANGE NUMBER	PART NUMBER	PER ENGINE QTY
26 (cont.)	4.5000" 636 CID (10.4L) 8 Cyl / 16 Valves Engine Codes: '1160, 3160'			26 (cont.)
Crankshaft				
Crankshaft	With Gear	9L6266	247-5216	1
27	4.5000" 573 CID (9.4L) 8 Cyl / 16 Valves Engine Code: '1150'			27
Cylinder Components				
Cylinder Sleeve	Semi-Finished, Install Bore and Hone Sleeve, Sleeve Has .0265"-.0295" Extra Stock Of Material On ID Of Sleeve For Boring, 4.500" Bore, .0937" Wall, 7.740" Length, Honable	9N6275	226-4487	8
	Semi-Finished, Install and Hone Sleeve, Sleeve ID Is 4.4965"/4.4945", Allowing It To Be Honed To 4.5020"/4.5005", .0937" Wall, 7.740" Length, Boreable	7W2293	226-4510	8
Ring Set	3 Ring Keystone, Top OE# 1303987, Intermediate OE# 1303997, Oil OE# 7E9297	2W8265(3R)(KS)	S41542	8
		2W8646(3R)(KS)	S41542.020	
		2W8647(3R)(KS)	S41542.040	
	2 Ring Piston	2W8265	S41883	8
	2W8646	S41883.020		
Piston Pin	1.499" Diameter, 3.205" Length	7N9803	223-1836	8
Lock Ring	2 Per Package	8N7294	223-5506	8
Engine Gaskets				
Engine Cylinder Head Gasket		7W2059	54151	2
Bearings				
Connecting Rod Bearing	.955" Bearing Length	9N5923	CB-972P	8
		9N5924	CB-972P-10	
		9N5925	CB-972P-20	
		Exclusive	CB-972P-30	
Main Bearing Set	Contains Upper Half Flanged Bearing, 1.253" Length Upper Half Flanged, Standard Size Set Contains OE# 4W8092(4), 4W8091, .010" Undersize Set Contains OE# 8N9022(4), 8N9065, .020" Undersize Set Contains OE# 8N9023(4), 8N9064	See Note	MS-1421P	1
		See Note	MS-1421P-10	
		See Note	MS-1421P-20	
		Exclusive	MS-1421P-30	
Main Bearing Set	Contains Upper Half Flanged Bearing, 1.253" Length Upper Half Flanged, .010" Oversize On OD, Standard Size Set Contains OE# 8N9021(4), 8N9067, .020" Undersize Set Contains OE# 8N9019(4), 8N9068	See Note	MS-1592P	1
		See Note	MS-1592P-20	
Main Bearings	Straight Shell Bearing	4W8092	MB-2734P	4
		8N9022	MB-2734P-10	
		8N9023	MB-2734P-20	
		4W8092(.030)	MB-2734P-30	
	Flanged Bearing	4W8091	MB-2735P	1
		8N9065	MB-2735P-10	
8N9064		MB-2735P-20		
Camshaft Bearing Set		9N5246	SH-1245S	1
Valve Train & Ancillary				
Valve (Intake)	2.094" Head Diameter, 5.698" Length, .3725" Stem, 45 Degree, 2 Groove, Natural And Turbo	9L9851	211-2455	8
Valve (Exhaust)	1.804" Head Diameter, 5.693" Length, .3715" Stem, 45 Degree, 2 Groove, Naturally Aspirated	9L7683	211-2456	8
Valve Guide (Intake)	2.625" OD, For Upgrading To A Replaceable Guide	6I2864	217-3307	8

PART	NOTES	OE INTERCHANGE NUMBER	PART NUMBER	PER ENGINE QTY
27 (cont.)	4.5000" 573 CID (9.4L) 8 Cyl / 16 Valves Engine Code: '1150'			27 (cont.)

Valve Train & Ancillary (cont.)

Valve Guide (Exhaust)	2.9765" OD, For Upgrading To A Replaceable Guide	6I2865	217-3306	8
Valve Spring	Intake And Exhaust, Late Non-Turbo	9N3617	212-1288	8
	Intake And Exhaust, Inner	9L9172	212-1289	8
Valve Seat Insert	Exhaust, 1.625" ID, 1.912" OD, .281" Depth	9N2837	218-7807	8

28	4.5000" 522 CID (8.6L) 8 Cyl / 16 Valves Engine Codes: '1140, 1145'			28
-----------	---	--	--	-----------

Cylinder Components

Ring Set	2 Ring Piston	2W8265	S41883	8
		2W8646	S41883.020	

Bearings

Connecting Rod Bearing	.955" Bearing Length	9N5923	CB-972P	8
		9N5924	CB-972P-10	
		9N5925	CB-972P-20	
		Exclusive	CB-972P-30	
Main Bearing Set	Contains Upper Half Flanged Bearing, 1.253" Length Upper Half Flanged, Standard Size Set Contains OE# 4W8092(4), 4W8091, .010" Undersize Set Contains OE# 8N9022(4), 8N9065, .020" Undersize Set Contains OE# 8N9023(4), 8N9064	See Note	MS-1421P	1
		See Note	MS-1421P-10	
		See Note	MS-1421P-20	
		Exclusive	MS-1421P-30	
Main Bearing Set	Contains Upper Half Flanged Bearing, 1.253" Length Upper Half Flanged, .010" Oversize On OD, Standard Size Set Contains OE# 8N9021(4), 8N9067, .020" Undersize Set Contains OE# 8N9019(4), 8N9068	See Note	MS-1592P	1
		See Note	MS-1592P-20	

Valve Train & Ancillary

Valve (Intake)	2.094" Head Diameter, 5.698" Length, .3725" Stem, 45 Degree, 2 Groove, Natural And Turbo	9L9851	211-2455	8
Valve (Exhaust)	1.804" Head Diameter, 5.693" Length, .3715" Stem, 45 Degree, 2 Groove, Naturally Aspirated	9L7683	211-2456	8
Valve Guide (Intake)	2.625" OD, For Upgrading To A Replaceable Guide	6I2864	217-3307	8
Valve Guide (Exhaust)	2.9765" OD, For Upgrading To A Replaceable Guide	6I2865	217-3306	8
Valve Spring	Intake And Exhaust, Late Non-Turbo	9N3617	212-1288	8
Valve Seat Insert	Exhaust, 1.625" ID, 1.912" OD, .281" Depth	9N2837	218-7807	8
	Intake, 1.859" ID, 2.150" OD, .2920" Depth	2N8943	218-7808	8

29	4.5000" 636 CID (10.4L) 8 Cyl / 16 Valves Engine Code: '3208'			29
-----------	---	--	--	-----------

Cylinder Components

Cylinder Sleeve	Semi-Finished, Install Bore and Hone Sleeve, Sleeve Has .0265"-.0295" Extra Stock Of Material On ID Of Sleeve For Boring, 4.500" Bore, .0937" Wall, 7.740" Length, Honable	9N6275	226-4487	8
	Semi-Finished, Install and Hone Sleeve, Sleeve ID Is 4.4965"/4.4945", Allowing It To Be Honed To 4.5020"/4.5005", .0937" Wall, 7.740" Length, Boreable	7W2293	226-4510	8
Piston	16.5:1 CR, 2 Ring, Tapered Rod	2W4831	224-2188	8
	16.5:1 CR, 3 Ring Piston, Tapered Rod, Dual Ni-Resist Inserts	7E4729	224-2568	8
		Exclusive	224-2568.020	
		Exclusive	224-2568.040	



PART	NOTES	OE INTERCHANGE NUMBER	PART NUMBER	PER ENGINE QTY
29 (cont.)	4.5000" 636 CID (10.4L) 8 Cyl / 16 Valves Engine Code: '3208'			29 (cont.)

Cylinder Components (cont.)

Piston (Bare)	16.5:1 CR, Not For Arrangement Numbers 4N0169 And 4N0303, Pistons On These Engines Have Valve Relief And Less Clearance, 2 Ring, Tapered Rod, Contained Within 225-2513, Use With Part Number 223-1836 And 223-5506	2W4831	224-2188X	8
		2W8410	224-2188X.020	
	16.5:1 CR, 3 Ring Piston, Tapered Rod, Dual Ni-Resist Inserts, Contained Within 225-2738, Not For Arrangement Numbers 4N0169 And 4N0303, Pistons On These Engines Have Valve Relief And Less Clearance, Use With Part Number 223-1836 And 223-5506	7E4729	224-2568X	8
		Exclusive	224-2568X.020	
		Exclusive	224-2568X.040	
	Rebore Kit	Supersedes To 225-2513	See Note	224-2513
See Note			224-2513.020	
Supersedes To 225-2738		See Note	224-2738	8
		See Note	224-2738.020	
		See Note	224-2738.040	
16.5:1 CR, 2 Ring Piston, Tapered Rod, Set Contains OE# 2W4831 Piston, 7N9803 Pin, 8N7294 Locks And OE Rings Set 2W8646		1W5793	225-2513	8
		2W4831		
		1W2071	225-2513.020	
16.5:1 CR, 3 Ring Piston, Tapered Rod, Dual Ni-Resist Inserts, Offset Mexican Hat Recessed Head, Contains Piston OE# 7E4729, Pin OE# 7N9803, Locks OE#8N7294 , Contains Rings: Top OE# 1303987, Intermediate OE# 1303997, Oil OE# 7E9297	7E4729	225-2738	8	
	7E4729(.020)	225-2738.020		
	2W8647	225-2738.040		
	7E4729(.040)			
Ring Set	3 Ring Keystone, Top OE# 1303987, Intermediate OE# 1303997, Oil OE# 7E9297	2W8265(3R)(KS)	S41542	8
		2W8646(3R)(KS)	S41542.020	
		2W8647(3R)(KS)	S41542.040	
	2 Rectangular Rings .094", Oil Ring .187"	2W8265	S41685	8
		2W8646(3R)(RECT)	S41685.020	
		2W8647(3R)(RECT)	S41685.040	
	2 Ring Piston	2W8265	S41883	8
		2W8646	S41883.020	
	Piston Pin	1.499" Diameter, 3.205" Length	7N9803	223-1836
Lock Ring	2 Per Package	8N7294	223-5506	8

Engine Gaskets

Engine Conversion Gasket Set		Exclusive	CS4929C	1
Engine Cylinder Head Gasket		7W2059	54151	2
Engine Valve Stem Seal Set		7W9143	B46016	16
Engine Oil Pan Gasket Set	Pan Set Includes Gasket and O-rings	9L8016	OS32178	1

Bearings

Connecting Rod Bearing	1.010" Bearing Length	7E7894	CB-1215P	8
		9N5920	CB-1215P-10	
		9N5921	CB-1215P-20	
		Exclusive	CB-1215P-30	
		Exclusive	CB-1215P-40	

PART	NOTES	OE INTERCHANGE NUMBER	PART NUMBER	PER ENGINE QTY	
29 (cont.)	4.5000" 636 CID (10.4L) 8 Cyl / 16 Valves Engine Code: '3208'			29 (cont.)	
Bearings (cont.)					
Connecting Rod Bearing (cont.)	.955" Bearing Length	9N5923	CB-972P	8	
		9N5924	CB-972P-10		
		9N5925	CB-972P-20		
		Exclusive	CB-972P-30		
Main Bearing Set	Non-Grooved Front Main Bearing, Standard Size Set Contains OE# 4W8093, 4W8092(3), 4W8091, .010" Undersize Set Contains OE# 8N8976, 8N9022(3), 8N9065, .020" Undersize Set Contains OE# 8N8972, 8N9023(3), 8N9064	See Note	MS-1420P	1	
		See Note	MS-1420P-10		
		See Note	MS-1420P-20		
		See Note	MS-1420P-30		
	Contains Upper Half Flanged Bearing, 1.253" Length Upper Half Flanged, Standard Size Set Contains OE# 4W8092(4), 4W8091, .010" Undersize Set Contains OE# 8N9022(4), 8N9065, .020" Undersize Set Contains OE# 8N9023(4), 8N9064	See Note	MS-1421P	1	
		See Note	MS-1421P-10		
		See Note	MS-1421P-20		
		Exclusive	MS-1421P-30		
	Grooved Front Bearing, Standard Size Set Contains OE# 8N8929, 4W8092(3), 4W8091, .010" Undersize Set Contains OE# 8N8926, 4W9022(3), 4N9065, .020" Undersize Set Contains OE# 8N8931, 4W9023(3), 4N9064	See Note	MS-1422P	1	
		See Note	MS-1422P-10		
		See Note	MS-1422P-20		
		See Note	MS-1422P-30		
	Contains Upper Half Flanged Bearing, 1.253" Length Upper Half Flanged, .010" Oversize On OD, Standard Size Set Contains OE# 8N9021(4), 8N9067, .020" Undersize Set Contains OE# 8N9019(4), 8N9068	See Note	MS-1592P	1	
		See Note	MS-1592P-20		
	Non-Grooved Front Main Bearing, .010" Oversize On OD, Standard Size Set Contains OE# 8N8973, 8N9021(3), 8N9067, .020" Undersize Set Contains OE# 8N8971, 8N9019(3), 8N9068	See Note	MS-1593P	1	
		See Note	MS-1593P-20		
Main Bearings	Straight Shell Bearing, Center Locating Lug, 3 Oil Holes, Non-Grooved Bearing	4W8093	MB-2733P	1	
		8N8976	MB-2733P-10		
		8N8972	MB-2733P-20		
		4W8093(.030)	MB-2733P-30		
	Early And Late Engines Straight Shell Bearing	4W8092	MB-2734P	3	
		8N9022	MB-2734P-10		
		8N9023	MB-2734P-20		
		4W8092(.030)	MB-2734P-30		
	Early And Late Engines Flanged Bearing	4W8091	MB-2735P	1	
		8N9065	MB-2735P-10		
		8N9064	MB-2735P-20		
	Early And Late Engines Flanged Bearings, .010" Oversize On OD	8N9067	MB-2930P	1	
	Camshaft Bearing Set		9N5246	SH-1245S	1
	Piston Pin Bushing	Engines With Cylindrical Pin Bushings, Requires Boring	8N0701	223-3569	8
		Engines With Taper Pin Bushings, Requires Boring	9N5082	223-3628	8
	Valve Train & Ancillary				
Valve (Intake)	2.094" Head Diameter, 5.698" Length, .3725" Stem, 45 Degree, 2 Groove, Natural And Turbo	9L9851	211-2455	8	
Valve (Exhaust)	1.804" Head Diameter, 5.693" Length, .3715" Stem, 45 Degree, 2 Groove, Naturally Aspirated	9L7683	211-2456	8	
	Stellite	1196772	211-3307	8	
Valve Guide (Intake)	2.625" OD, For Upgrading To A Replaceable Guide	6I2864	217-3307	8	
Valve Guide (Exhaust)	2.9765" OD, For Upgrading To A Replaceable Guide	6I2865	217-3306	8	



PART	NOTES	OE INTERCHANGE NUMBER	PART NUMBER	PER ENGINE QTY
29 (cont.)	4.5000" 636 CID (10.4L) 8 Cyl / 16 Valves Engine Code: '3208'			29 (cont.)
Valve Train & Ancillary (cont.)				
Valve Spring	Intake And Exhaust, Late Non-Turbo	9N3617	212-1288	16
	Intake And Exhaust, Inner	9L9172	212-1289	16
Valve Seat Insert	Exhaust, 1.625" ID, 1.912" OD, .281" Depth	9N2837	218-7807	8
	Intake, 1.859" ID, 2.150" OD, .2920" Depth	2N8943	218-7808	1
Filters				
Spin-on fuel filter		1006374 1174089 1383100	KC 227	1
Crankshaft				
Crankshaft	Includes Turbo Application, Forging 9N0300, Without Gear	9N6221	247-5007	1
30	4.5000" 573 CID (9.4L) 8 Cyl / 16 Valves Engine Code: '3150'			30
Cylinder Components				
Cylinder Sleeve	Semi-Finished, Install Bore and Hone Sleeve, Sleeve Has .0265"-.0295" Extra Stock Of Material On ID Of Sleeve For Boring, 4.500" Bore, .0937" Wall, 7.740" Length, Honable	9N6275	226-4487	8
	Semi-Finished, Install and Hone Sleeve, Sleeve ID Is 4.4965"/4.4945", Allowing It To Be Honed To 4.5020"/4.5005", .0937" Wall, 7.740" Length, Boreable	7W2293	226-4510	8
Ring Set	3 Ring Keystone, Top OE# 1303987, Intermediate OE# 1303997, Oil OE# 7E9297	2W8265(3R)(KS)	S41542	8
		2W8646(3R)(KS)	S41542.020	
		2W8647(3R)(KS)	S41542.040	
	2 Ring Piston	2W8265	S41883	8
		2W8646	S41883.020	
Piston Pin	1.499" Diameter, 3.205" Length	7N9803	223-1836	8
Lock Ring	2 Per Package	8N7294	223-5506	8
Engine Gaskets				
Engine Cylinder Head Gasket		7W2059	54151	2
Bearings				
Connecting Rod Bearing	.955" Bearing Length	9N5923	CB-972P	8
		9N5924	CB-972P-10	
		9N5925	CB-972P-20	
		Exclusive	CB-972P-30	
Main Bearing Set	Contains Upper Half Flanged Bearing, 1.253" Length Upper Half Flanged, Standard Size Set Contains OE# 4W8092(4), 4W8091, .010" Undersize Set Contains OE# 8N9022(4), 8N9065, .020" Undersize Set Contains OE# 8N9023(4), 8N9064	See Note	MS-1421P	1
		See Note	MS-1421P-10	
		See Note	MS-1421P-20	
		Exclusive	MS-1421P-30	
Main Bearing Set	Contains Upper Half Flanged Bearing, 1.253" Length Upper Half Flanged, .010" Oversize On OD, Standard Size Set Contains OE# 8N9021(4), 8N9067, .020" Undersize Set Contains OE# 8N9019(4), 8N9068	See Note	MS-1592P	1
		See Note	MS-1592P-20	
Main Bearings	Straight Shell Bearing	4W8092	MB-2734P	4
		8N9022	MB-2734P-10	
		8N9023	MB-2734P-20	
		4W8092(.030)	MB-2734P-30	

PART	NOTES	OE INTERCHANGE NUMBER	PART NUMBER	PER ENGINE QTY
30 (cont.)	4.5000" 573 CID (9.4L) 8 Cyl / 16 Valves Engine Code: '3150'			30 (cont.)

Bearings (cont.)

Main Bearings (cont.)	Flanged Bearing	4W8091	MB-2735P	1
		8N9065	MB-2735P-10	
		8N9064	MB-2735P-20	
Camshaft Bearing Set		9N5246	SH-1245S	1

Valve Train & Ancillary

Valve (Intake)	2.094" Head Diameter, 5.698" Length, .3725" Stem, 45 Degree, 2 Groove, Natural And Turbo	9L9851	211-2455	8
Valve (Exhaust)	1.804" Head Diameter, 5.693" Length, .3715" Stem, 45 Degree, 2 Groove, Naturally Aspirated	9L7683	211-2456	8
Valve Guide (Intake)	2.625" OD, For Upgrading To A Replaceable Guide	6I2864	217-3307	8
Valve Guide (Exhaust)	2.9765" OD, For Upgrading To A Replaceable Guide	6I2865	217-3306	8
Valve Spring	Intake And Exhaust, Late Non-Turbo	9N3617	212-1288	16
	Intake And Exhaust, Inner	9L9172	212-1289	16
Valve Seat Insert	Exhaust, 1.625" ID, 1.912" OD, .281" Depth	9N2837	218-7807	8

31	4.5000" 522 CID (8.6L) 8 Cyl / 16 Valves Engine Code: '3145'			31
-----------	--	--	--	-----------

Cylinder Components

Ring Set	2 Ring Piston	2W8265	S41883	8
		2W8646	S41883.020	
Piston Pin	1.499" Diameter, 3.205" Length	7N9803	223-1836	8
Lock Ring	2 Per Package	8N7294	223-5506	8

Bearings

Connecting Rod Bearing	.955" Bearing Length	9N5923	CB-972P	8
		9N5924	CB-972P-10	
		9N5925	CB-972P-20	
		Exclusive	CB-972P-30	
Main Bearing Set	Contains Upper Half Flanged Bearing, 1.253" Length Upper Half Flanged, Standard Size Set Contains OE# 4W8092(4), 4W8091, .010" Undersize Set Contains OE# 8N9022(4), 8N9065, .020" Undersize Set Contains OE# 8N9023(4), 8N9064	See Note	MS-1421P	1
		See Note	MS-1421P-10	
		See Note	MS-1421P-20	
		Exclusive	MS-1421P-30	
Main Bearing Set	Contains Upper Half Flanged Bearing, 1.253" Length Upper Half Flanged, .010" Oversize On OD, Standard Size Set Contains OE# 8N9021(4), 8N9067, .020" Undersize Set Contains OE# 8N9019(4), 8N9068	See Note	MS-1592P	1
		See Note	MS-1592P-20	
Main Bearings	Straight Shell Bearing	4W8092	MB-2734P	4
		8N9022	MB-2734P-10	
		8N9023	MB-2734P-20	
		4W8092(.030)	MB-2734P-30	
	Flanged Bearing	4W8091	MB-2735P	1
		8N9065	MB-2735P-10	
		8N9064	MB-2735P-20	

Valve Train & Ancillary

Valve (Intake)	2.094" Head Diameter, 5.698" Length, .3725" Stem, 45 Degree, 2 Groove, Natural And Turbo	9L9851	211-2455	8
-----------------------	--	--------	-----------------	---

PART	NOTES	OE INTERCHANGE NUMBER	PART NUMBER	PER ENGINE QTY
31 (cont.)	4.5000" 522 CID (8.6L) 8 Cyl / 16 Valves Engine Code: '3145'			31 (cont.)
Valve Train & Ancillary (cont.)				
Valve (Exhaust)	1.804" Head Diameter, 5.693" Length, .3715" Stem, 45 Degree, 2 Groove, Naturally Aspirated	9L7683	211-2456	8
Valve Spring	Intake And Exhaust, Late Non-Turbo	9N3617	212-1288	16
	Intake And Exhaust, Inner	9L9172	212-1289	16
32	4.5000" 700 CID (11.5L) 8 Cyl / 32 Valves; Sleeved Engine Engine Code: 'D336'			32
Cylinder Components				
Ring Set	3 Ring Piston, Top OE# 3S4027, Intermediate OE# 3S4026, Oil OE# 9S4867	9S8704	S40574	8
Filters				
Spin-on fuel filter		1P2299 1R0711	KC 28	1
33	4.7500" 425 CID (7.0L) 4 Cyl / 8 Valves Engine Code: '3304'			33
Cylinder Components				
Cylinder Sleeve Assembly	15.0:1 CR, Contains OE# Piston 9N5250, 1.700" Diameter Pin, Rectangular Compression Rings, Dual Ni-Resist Inserts, Bolt In Heat Plug, OE Piston Pack# OR1694	see at page 146	226-1695	4
	Contains OE# Piston 9N5403, 1.700" Diameter Pin, Keystone Compression Rings, Dual Ni-Resist Inserts, Bolt In Heat Plug, Precombustion, OE Piston Pack# OR1695	see at page 146	226-1882	4
	15.1:1 CR, Contains OE# Piston 1290358, Rectangular Rings, No Heat Plug, Direct Injection, Tapered Rod, 3MM/.125" Oil Ring, OE Piston Pack# OR1696	see at page 146	226-1889	4
	Contains OE# Piston 8N3182, 1.500" Diameter Pin, Dual Ni-Resist Inserts, 4MM/.156" Oil Ring, Late Skirt Profile, OE Piston Pack# OR1692	see at page 146	226-1967	4
	15.0:1 CR, Contains OE# Piston 165-4262, 1.700" Diameter Pin, 4MM/.156" Oil Ring, OE Piston Pack# OR1697	see at page 146	226-1968	4
	16.0:1 CR, Rectangular Compression Rings, 4MM Oil Rings	see at page 146	226-2047	4
Cylinder Sleeve		1105800	226-4493	4
Cylinder Sleeve (Bare)	Use With Part Number 223-7188	1105800	226-4493X	4
Piston	15.0:1 CR, 1.700" Diameter Pin, Rectangular Compression Rings, Dual Ni-Resist Inserts, Bolt In Heat Plug	9N5250	224-3034	4
	10.5:1 CR, Spark Ignited, Rectangular Compression Rings	4P2654	224-3271	4
	15.1:1 CR, Rectangular Compression Rings, 3MM/.125" Oil Ring, No Heat Plug, Direct Injection, Tapered Rod	1290358	224-3297	4
	15.0:1 CR, 1.700" Diameter Pin, 4MM/.156" Oil Ring, Requires Ring Set S41942 Sold Separately	1654262	224-3368	4
	1.500" Diameter Pin, Dual Ni-Resist Inserts, 4MM/.156" Oil Ring, Late Skirt Profile, Requires Ring Set S40963 Sold Separately	8N3182	224-3369	4
Piston (Bare)	15.0:1 CR, 1.700" Diameter Pin, Rectangular Compression Rings, Dual Ni-Resist Inserts, Bolt In Heat Plug, Contained Within 226-1695, Use With Part Number 223-1835 And 223-5502	9N5250	224-3034X	4

PART	NOTES	OE INTERCHANGE NUMBER	PART NUMBER	PER ENGINE QTY
33 (cont.)	4.7500" 425 CID (7.0L) 4 Cyl / 8 Valves Engine Code: '3304'			33 (cont.)

Cylinder Components (cont.)

Piston (Bare) (cont.)	1.700" Diameter Pin, Keystone Compression Rings, Dual Ni-Resist Inserts, Bolt In Heat Plug, Precombustion, Contained Within 226-1882, Use With Part Number 223-1835 And 223-5502	9N5403	224-3251X	4
	15.1:1 CR, Retangular Rings, 3MM/.125" Oil Ring, No Heat Plug, Direct Injection, Tapered Rod, Contained Within 226-1889, Requires Ring Set S41653 Sold Separately, Use With Part Number 223-1835 And 223-5502	1290358	224-3297X	4
	15.0:1 CR, 1.700" Diameter Pin, 4MM/.156" Oil Ring, Contained Within 226-1968, Requires Ring Set S41942 Sold Separately, Use With Part Number 223-1835 And 223-5502	1654262	224-3368X	4
	1.500" Diameter Pin, Dual Ni-Resist Inserts, 4MM/.156" Oil Ring, Late Skirt Profile, Contained Within 226-1967, Requires Ring Set S40963 Sold Separately, Use With Part Number 223-1829 And 223-5503	8N3182	224-3369X	4
	16.0:1 CR, Contained Within 226-2047, Use With Part Number 223-1835 And 223-5502	1646560	224-3748X•	4
Ring Set	Top OE# 9S3029, Intermediate OE# 5S6750, Oil OE# 9S7788, .219"/5.5MM Oil Ring	9S3068	S40963	4
	Top OE# 2W1707, Intermediate OE# 2W1708, Oil OE# 7E6047, .118"/3MM Oil Ring, Keystone Compression Rings	2W1709	S41394	4
	Top OE# 9S3029, Intermediate OE# 5S6750, Oil OE# 7E6047, .118"/3MM Oil Ring, Rectangular Compression Rings	2W6091	S41653	4
	Top OE# 2W1707, Intermediate OE# 2W1708, Oil OE# 6I0497, .156"/4MM Oil Ring, Keystone Compression Rings	2114321	S41942	4
Piston Pin	1.500" Diameter, 3.730" Length	7N9804	223-1829	4
	1.699" Diameter, 3.730" Length	7N9805	223-1835	4
Lock Ring	2 Per Package	1S9543	223-5502	4
	2 Per Package	9H4015	223-5503	4
Sleeve O-Ring Kit	Contains OE# 5S6670(3), 9L5854	5P8768	223-7188	4

Engine Gaskets

Engine Cylinder Head Gasket Set		6V0602	HS54100-4	1
		8T1606	HS54100-6	1
		5P9414	HS54218-1	1
	Consolidated Set	6V0260 6V2246	HS54218-3	1
Engine Conversion Gasket Set		6V0605	CS54100-2	1
		8T9486	CS54100-3	1
	Consolidated Set	6V4778 8C8432	CS54100-4	1
	Consolidated Set	1208883 1417274 1417953	CS54100-5	1
		5P9415	CS54100-6	1
		6V0607	CS54100-7	1
In-frame Overhaul Set	Covers OE# 6V602, 6V0603 Head Sets And 5S6045, 8S1963 Oil Pan Gaskets For Engines Without Cylinder Head Shim	See Note	EK3531	1

PART	NOTES	OE INTERCHANGE NUMBER	PART NUMBER	PER ENGINE QTY
33 (cont.)	4.7500" 425 CID (7.0L) 4 Cyl / 8 Valves Engine Code: '3304'			33 (cont.)

Engine Gaskets (cont.)

In-frame Overhaul Set (cont.)	Covers OE# 6V2209, 6V2523, 2348020 Head Sets And 5S6045, 8S1963 Oil Pan Gaskets, For Engines With Cylinder Head Shim	See Note	EK3532	1	
Engine Cylinder Head Gasket		4P8915	54100	1	
		7N7386	54218	1	
Engine Valve Stem Seal Set		6N7174	B45886	8	
Engine Oil Pan Gasket Set	2 Piece Oil Pan, Gasket Set	4338194	OS32274	1	
Engine Timing Cover Gasket Set		1402246	JV5115	1	
		6V1658	JV5117	1	
		6V4763	JV5118	1	
		1208998	JV5120	1	
		1387720	JV5121	1	
		6V1549	JV5122	1	
		6V2466	JV5123	1	
		8T9485	JV5125	1	
		6V0611	JV5126	1	
		6V4785	JV5127	1	
		Consolidated Set	8C5051	JV5128	1
			5P9416	JV5147	1
			5P9568	JV5148	1
Engine Timing Cover Seal		7K9201	49353	1	
	93.98MM Diameter, 12.7MM Width, For 63.55 Shaft	9Y9895	67767	1	
Rear Main Seal Set		1383069	JV1686	1	
		6V2982	JV1706	1	
		6V2983	JV1707	1	
		6V5976	JV1708	1	
		Consolidated Set	1417278 8C8741	JV1713	1
Rear Main Seal	Late Engine, 4.336" OD, Directional	4W0452	67645	1	
		7C4297	67821	1	

Bearings

Connecting Rod Bearing		4W5739	CB-619AL	4
		8N8221	CB-619AL-10	
		8N8222	CB-619AL-20	
		8N8223	CB-619AL-30	
		Exclusive	CB-619AL-50	

PART	NOTES	OE INTERCHANGE NUMBER	PART NUMBER	PER ENGINE QTY
33 (cont.)	4.7500" 425 CID (7.0L) 4 Cyl / 8 Valves Engine Code: '3304'			33 (cont.)

Bearings (cont.)

Main Bearing Set	Contains Straight Shell Bearings, Thin Wall .156", Requires Thrust Washers, Not Included	2323233	MS-1113AL	1
		8N8225	MS-1113AL-10	
		8N8226	MS-1113AL-20	
		8N8227	MS-1113AL-30	
	Contains Lower Half Flanged Bearing, Thin Wall .156", Standard Set Contains OE# 2323233(4), 7S9439, .010" Undersize Set Contains OE# 3148652(4), 7S9844, .020" Undersize Set Contains OE# 8N8226(4), 7S9845	See Note	MS-957AL	1
		See Note	MS-957AL-10	
		See Note	MS-957AL-20	
	Main Bearings	Straight Shell Bearing	2323233	MB-2580AL
8N8225			MB-2580AL-10	
8N8226			MB-2580AL-20	
8N8227			MB-2580AL-30	
Flanged Bearing		7S9439	MB-2581AL	1
		7S9844	MB-2581AL-10	
		7S9845	MB-2581AL-20	
Thrust Washer Set	Contains 2 Pieces	6N8940	TW-252S	1
	.232" Oversize Length, Contains 2 Pieces	9S3037	TW-409S	1
	.215" Oversize Length, Contains 2 Pieces	1003652	TW-693S•	1
Thrust Washer (Individual)		6N8940	MB-2580W	2
	.232" Oversize Length	9S3037	MB-3057W	2
	.215" Oversize Length	1003652	MB-3451W	2
Camshaft Bearing		7M4046	SH-2170	1
		9M5477	SH-2171	1
Piston Pin Bushing	Tapered Rod, Large Pin 1.700"	8N1849	223-3706•	4
	Straight Rod, Small Pin 1.500"	8N 0702	223-3707•	4
	Tapered Rod, Small Pin 1.500"	8N1985	223-3708•	4
Balance Shaft Bearing		3775833	SH-2172	1
		3256032	SH-2173•	1

Valve Train & Ancillary

Valve (Intake)	Stellite, 2.020" Head Diameter, 5.510" Length, .3717" Stem, 30 Degree Seat, 2 Groove, Indirect Injection, Turbocharged, 2 Valve, Spark Ignited, Short Valve	2W2621	211-2491	4
	Supersedes To 211-2491	2476892	211-2752	4
	Non-Stellite, 2.020" Head Diameter, 5.350" Length, .3717" Stem, 30 Degree Seat, 2 Groove, Small Margin Valve, 2 Valve	1007860	211-3339	4
Valve (Exhaust)	Stellite, 1.896" Head Diameter, 5.469" Length, .3717" Stem, 30 Degree Seat, 2 Groove, Indirect Injection, Turbocharged, 2 Valve	8N0875	211-2492	4
	Supersedes To 211-2492	5S6449	211-2753	4
	1.896" Head Diameter, 5.300" Length, Stellite Face Small Margin Valve, Direct Injection	1487455	211-3306	4
Valve Guide (Intake & Exhaust)		1787502	217-3260	8

Turbochargers

Turbocharger		see at page 485	127 TC 15120 000	1
---------------------	--	-----------------	-------------------------	---



PART	NOTES	OE INTERCHANGE NUMBER	PART NUMBER	PER ENGINE QTY
33 (cont.)	4.7500" 425 CID (7.0L) 4 Cyl / 8 Valves Engine Code: '3304'			33 (cont.)
Turbochargers (cont.)				
Turbocharger (cont.)		see at page 486	127 TC 27057 000	1
Crankshaft				
Crankshaft	Without Gear, Short Nose	4N7692	247-5067	1
	With Gear, Short Nose	4N7692	247-5217	1

34	4.7500" 425 CID (7.0L) 4 Cyl / 8 Valves Engine Code: 'G3304'			34
Cylinder Components				
Cylinder Sleeve Assembly	10.5:1 CR, Contains OE# Piston 4P2654, Spark Ignited, Rectangular Compression Rings, OE Piston Pack# 0R3661	see at page 146	226-1861	4
Cylinder Sleeve		1105800	226-4493	4
Cylinder Sleeve (Bare)	Use With Part Number 223-7188	1105800	226-4493X	4
Ring Set	Top OE# 5S7570, Oil OE# 7E6047, Natural Gas, 2 Ring Piston	See Note	S41670	4
	Top OE# 4P2656, Intermediate OE# 4P2657, Oil OE# 4P2658, 3 Ring Piston, Rectangular Compression Rings	See Note	S41841	4
Piston Pin	1.500" Diameter, 3.730" Length	7N9804	223-1829	4
Lock Ring	2 Per Package	9H4015	223-5503	4
Sleeve O-Ring Kit	Contains OE# 5S6670(3), 9L5854	5P8768	223-7188	4

Engine Gaskets				
Engine Conversion Gasket Set		6V0605	CS54100-2	1
Engine Cylinder Head Gasket		4P8915	54100	1
Engine Valve Stem Seal Set		7W9143	B46016	8
Engine Oil Pan Gasket Set	2 Piece Oil Pan, Gasket Set	4338194	OS32274	1
Engine Timing Cover Gasket Set		6V1658	JV5117	1
		6V4763	JV5118	1
	Consolidated Set	8C5051	JV5128	1
Engine Timing Cover Seal	93.98MM Diameter, 12.7MM Width, For 63.55 Shaft	9Y9895	67767	1
Rear Main Seal Set		1383069	JV1686	1
		6V2982	JV1706	1
Rear Main Seal	Late Engine, 4.336" OD, Directional	4W0452	67645	1

Bearings				
Connecting Rod Bearing		4W5739	CB-619AL	4
		8N8221	CB-619AL-10	
		8N8222	CB-619AL-20	
		8N8223	CB-619AL-30	
		Exclusive	CB-619AL-50	

PART	NOTES	OE INTERCHANGE NUMBER	PART NUMBER	PER ENGINE QTY
34 (cont.)	4.7500" 425 CID (7.0L) 4 Cyl / 8 Valves Engine Code: 'G3304'			34 (cont.)

Bearings (cont.)

Main Bearing Set	Contains Straight Shell Bearings, Thin Wall .156", Requires Thrust Washers, Not Included	2323233	MS-1113AL	1
		8N8225	MS-1113AL-10	
		8N8226	MS-1113AL-20	
		8N8227	MS-1113AL-30	
	Contains Lower Half Flanged Bearing, Thin Wall .156", Standard Set Contains OE# 2323233(4), 7S9439, .010" Undersize Set Contains OE# 3148652(4), 7S9844, .020" Undersize Set Contains OE# 8N8226(4), 7S9845	See Note	MS-957AL	1
		See Note	MS-957AL-10	
See Note		MS-957AL-20		
Main Bearings	Straight Shell Bearing	2323233	MB-2580AL	4
		8N8225	MB-2580AL-10	
		8N8226	MB-2580AL-20	
		8N8227	MB-2580AL-30	
	Flanged Bearing	7S9439	MB-2581AL	1
		7S9844	MB-2581AL-10	
		7S9845	MB-2581AL-20	
Thrust Washer Set	Contains 2 Pieces	6N8940	TW-252S	1
	.232" Oversize Length, Contains 2 Pieces	9S3037	TW-409S	1
	.215" Oversize Length, Contains 2 Pieces	1003652	TW-693S•	1
Thrust Washer (Individual)		6N8940	MB-2580W	2
	.232" Oversize Length	9S3037	MB-3057W	2
	.215" Oversize Length	1003652	MB-3451W	2

Valve Train & Ancillary

Valve (Intake)	Stellite, 2.020" Head Diameter, 5.510" Length, .3717" Stem, 30 Degree Seat, 2 Groove, Indirect Injection, Turbocharged, 2 Valve, Spark Ignited, Short Valve	2W2621	211-2491	4
Valve Guide (Intake & Exhaust)		1787502	217-3260	8

Crankshaft

Crankshaft	Without Gear, Short Nose	4N7692	247-5067	1
	With Gear	9L6266	247-5216	1

35	4.7500" 425 CID (7.0L) 4 Cyl / 8 Valves; Sleeved Engine D 330 C Series			35
-----------	--	--	--	-----------

Cylinder Components

Cylinder Sleeve Assembly	15.0:1 CR, Contains OE# Piston 9N5250, 1.700" Diameter Pin, Rectangular Compression Rings, Dual Ni-Resist Inserts, Bolt In Heat Plug, OE Piston Pack# 0R1694	see at page 146	226-1695	4
	Contains OE# Piston 8N3182, 1.500" Diameter Pin, Dual Ni-Resist Inserts, 4MM/.156" Oil Ring, Late Skirt Profile, OE Piston Pack# 0R1692	see at page 146	226-1967	4
Cylinder Sleeve		1105800	226-4493	4
Cylinder Sleeve (Bare)	Use With Part Number 223-7188	1105800	226-4493X	4
Piston	15.0:1 CR, 1.700" Diameter Pin, Rectangular Compression Rings, Dual Ni-Resist Inserts, Bolt In Heat Plug	9N5250	224-3034	4
	1.500" Diameter Pin, Dual Ni-Resist Inserts, 4MM/.156" Oil Ring, Late Skirt Profile, Requires Ring Set S40963 Sold Separately	8N3182	224-3369	4

PART	NOTES	OE INTERCHANGE NUMBER	PART NUMBER	PER ENGINE QTY
35 (cont.)	4.7500" 425 CID (7.0L) 4 Cyl / 8 Valves; Sleeved Engine D 330 C Series			35 (cont.)
Cylinder Components (cont.)				
Piston (Bare)	15.0:1 CR, 1.700" Diameter Pin, Rectangular Compression Rings, Dual Ni-Resist Inserts, Bolt In Heat Plug, Contained Within 226-1695, Use With Part Number 223-1835 And 223-5502	9N5250	224-3034X	4
	1.500" Diameter Pin, Dual Ni-Resist Inserts, 4MM/.156" Oil Ring, Late Skirt Profile, Contained Within 226-1967, Requires Ring Set S40963 Sold Separately, Use With Part Number 223-1829 And 223-5503	8N3182	224-3369X	4
Ring Set	Top OE# 9S3029, Intermediate OE# 5S6750, Oil OE# 9S7788, .219"/5.5MM Oil Ring	9S3068	S40963	4
	Top OE# 2W1707, Intermediate OE# 2W1708, Oil OE# 7E6047, .118"/3MM Oil Ring, Keystone Compression Rings	2W1709	S41394	4
Piston Pin	1.500" Diameter, 3.730" Length	7N9804	223-1829	4
	1.699" Diameter, 3.730" Length	7N9805	223-1835	4
Lock Ring	2 Per Package	1S9543	223-5502	4
	2 Per Package	9H4015	223-5503	4
Sleeve O-Ring Kit	Contains OE# 5S6670(3), 9L5854	5P8768	223-7188	4
Engine Gaskets				
Engine Valve Stem Seal Set		6N7174	B45886	8
Engine Oil Pan Gasket Set	2 Piece Oil Pan, Gasket Set	4338194	OS32274	1
Engine Timing Cover Seal	93.98MM Diameter, 12.7MM Width, For 63.55 Shaft	9Y9895	67767	1
Bearings				
Connecting Rod Bearing		4W5739	CB-619AL	4
		8N8221	CB-619AL-10	
		8N8222	CB-619AL-20	
		8N8223	CB-619AL-30	
		Exclusive	CB-619AL-50	
Main Bearing Set	Contains Straight Shell Bearings, Thin Wall .156", Requires Thrust Washers, Not Included	2323233	MS-1113AL	1
		8N8225	MS-1113AL-10	
		8N8226	MS-1113AL-20	
		8N8227	MS-1113AL-30	
	Contains Lower Half Flanged Bearing, Thin Wall .156", Standard Set Contains OE# 2323233(4), 7S9439, .010" Undersize Set Contains OE# 3148652(4), 7S9844, .020" Undersize Set Contains OE# 8N8226(4), 7S9845	See Note	MS-957AL	1
	See Note	MS-957AL-10		
	See Note	MS-957AL-20		
Main Bearings	Straight Shell Bearing	2323233	MB-2580AL	4
		8N8225	MB-2580AL-10	
		8N8226	MB-2580AL-20	
		8N8227	MB-2580AL-30	
	Flanged Bearing	7S9439	MB-2581AL	1
		7S9844	MB-2581AL-10	
		7S9845	MB-2581AL-20	
Thrust Washer Set	Contains 2 Pieces	6N8940	TW-252S	1
	.232" Oversize Length, Contains 2 Pieces	9S3037	TW-409S	1
	.215" Oversize Length, Contains 2 Pieces	1003652	TW-693S•	1

PART	NOTES	OE INTERCHANGE NUMBER	PART NUMBER	PER ENGINE QTY
35 (cont.)	4.7500" 425 CID (7.0L) 4 Cyl / 8 Valves; Sleeved Engine D 330 C Series			35 (cont.)

Bearings (cont.)

Thrust Washer (Individual)		6N8940	MB-2580W	2
	.232" Oversize Length	9S3037	MB-3057W	2
	.215" Oversize Length	1003652	MB-3451W	2

Valve Train & Ancillary

Valve (Intake)	Stellite, 2.020" Head Diameter, 5.510" Length, .3717" Stem, 30 Degree Seat, 2 Groove, Indirect Injection, Turbocharged, 2 Valve, Spark Ignited, Short Valve	2W2621	211-2491	4
	Supersedes To 211-2491	2476892	211-2752	4
	Non-Stellite, 2.020" Head Diameter, 5.350" Length, .3717" Stem, 30 Degree Seat, 2 Groove, Small Margin Valve, 2 Valve	1007860	211-3339	4
Valve (Exhaust)	Stellite, 1.896" Head Diameter, 5.469" Length, .3717" Stem, 30 Degree Seat, 2 Groove, Indirect Injection, Turbocharged, 2 Valve	8N0875	211-2492	4
	Supersedes To 211-2492	5S6449	211-2753	4
	1.896" Head Diameter, 5.300" Length, Stellite Face Small Margin Valve, Direct Injection	1487455	211-3306	4
Valve Guide (Intake & Exhaust)		1787502	217-3260	8

Crankshaft

Crankshaft	Without Gear, Short Nose	4N7692	247-5067	1
-------------------	--------------------------	--------	-----------------	---

36	4.7500" 638 CID (10.5L) 6 Cyl / 12 Valves Engine Code: 'D333C'			36
-----------	--	--	--	-----------

Cylinder Components

Cylinder Sleeve Assembly	15.0:1 CR, Contains OE# Piston 9N5250, 1.700" Diameter Pin, Rectangular Compression Rings, Dual Ni-Resist Inserts, Bolt In Heat Plug, OE Piston Pack# 0R1694	see at page 146	226-1695	6
	Contains OE# Piston 8N3182, 1.500" Diameter Pin, Dual Ni-Resist Inserts, 4MM/.156" Oil Ring, Late Skirt Profile, OE Piston Pack# 0R1692	see at page 146	226-1967	6
Cylinder Sleeve		1105800	226-4493	6
Cylinder Sleeve (Bare)	Use With Part Number 223-7188	1105800	226-4493X	6
Piston	15.0:1 CR, 1.700" Diameter Pin, Rectangular Compression Rings, Dual Ni-Resist Inserts, Bolt In Heat Plug	9N5250	224-3034	6
	1.500" Diameter Pin, Dual Ni-Resist Inserts, 4MM/.156" Oil Ring, Late Skirt Profile, Requires Ring Set S40963 Sold Separately	8N3182	224-3369	6
Piston (Bare)	15.0:1 CR, 1.700" Diameter Pin, Rectangular Compression Rings, Dual Ni-Resist Inserts, Bolt In Heat Plug, Contained Within 226-1695, Use With Part Number 223-1835 And 223-5502	9N5250	224-3034X	6
	1.500" Diameter Pin, Dual Ni-Resist Inserts, 4MM/.156" Oil Ring, Late Skirt Profile, Contained Within 226-1967, Requires Ring Set S40963 Sold Separately, Use With Part Number 223-1829 And 223-5503	8N3182	224-3369X	6
Ring Set	Top OE# 9S3029, Intermediate OE# 5S6750, Oil OE# 9S7788, .219"/5.5MM Oil Ring	9S3068	S40963	6
	Top OE# 2W1707, Intermediate OE# 2W1708, Oil OE# 7E6047, .118"/3MM Oil Ring, Keystone Compression Rings	2W1709	S41394	6
Piston Pin	1.500" Diameter, 3.730" Length	7N9804	223-1829	6

PART	NOTES	OE INTERCHANGE NUMBER	PART NUMBER	PER ENGINE QTY
36 (cont.)	4.7500" 638 CID (10.5L) 6 Cyl / 12 Valves Engine Code: 'D333C'			36 (cont.)
Cylinder Components (cont.)				
Piston Pin (cont.)	1.699" Diameter, 3.730" Length	7N9805	223-1835	6
Lock Ring	2 Per Package	1S9543	223-5502	6
	2 Per Package	9H4015	223-5503	6
Sleeve O-Ring Kit	Contains OE# 5S6670(3), 9L5854	5P8768	223-7188	6
Bearings				
Connecting Rod Bearing		4W5739	CB-619AL	6
		8N8221	CB-619AL-10	
		8N8222	CB-619AL-20	
		8N8223	CB-619AL-30	
		Exclusive	CB-619AL-50	
Main Bearing Set	Contains Straight Shell Bearings, Requires Thrust Washers, Not Included	2323233	MS-1114AL	1
		8N8225	MS-1114AL-10	
		8N8226	MS-1114AL-20	
		8N8227	MS-1114AL-30	
Main Bearings	Straight Shell Bearing	2323233	MB-2580AL	6
		8N8225	MB-2580AL-10	
		8N8226	MB-2580AL-20	
Main Bearings	Flanged Bearing	7S9439	MB-2581AL	1
		7S9844	MB-2581AL-10	
		7S9845	MB-2581AL-20	
		See Note	MS-958AL	
Main Bearings	Contains Flanged Bearing, Standard Size Set Contains OE# 2323233(6), 7S9439, .010" Undersize Set Contains OE# 3148652(6), 7S9844, .020" Undersize Set Contains OE# 8N8226(6), 7S9845	See Note	MS-958AL-10	1
		See Note	MS-958AL-20	
		See Note	MS-958AL-20	
Thrust Washer Set	Contains 2 Pieces	6N8940	TW-252S	1
	.232" Oversize Length, Contains 2 Pieces	9S3037	TW-409S	1
Thrust Washer (Individual)		6N8940	MB-2580W	2
	.232" Oversize Length	9S3037	MB-3057W	2
	.215" Oversize Length	1003652	MB-3451W	2
Valve Train & Ancillary				
Valve (Intake)	Stellite, 2.020" Head Diameter, 5.510" Length, .3717" Stem, 30 Degree Seat, 2 Groove, Indirect Injection, Turbocharged, 2 Valve, Spark Ignited, Short Valve	2W2621	211-2491	6
	Supersedes To 211-2491	2476892	211-2752	6
	Non-Stellite, 2.020" Head Diameter, 5.350" Length, .3717" Stem, 30 Degree Seat, 2 Groove, Small Margin Valve, 2 Valve	1007860	211-3339	6
Valve (Exhaust)	Stellite, 1.896" Head Diameter, 5.469" Length, .3717" Stem, 30 Degree Seat, 2 Groove, Indirect Injection, Turbocharged, 2 Valve	8N0875	211-2492	6
	Supersedes To 211-2492	5S6449	211-2753	6
	1.896" Head Diameter, 5.300" Length, Stellite Face Small Margin Valve, Direct Injection	1487455	211-3306	6
Valve Guide (Intake & Exhaust)		1787502	217-3260	12

PART	NOTES	OE INTERCHANGE NUMBER	PART NUMBER	PER ENGINE QTY
36 (cont.)	4.7500" 638 CID (10.5L) 6 Cyl / 12 Valves Engine Code: 'D333C'			36 (cont.)

Turbochargers

Turbocharger		see at page 485	127 TC 17332 000	1
---------------------	--	-----------------	-------------------------	---

Crankshaft

Crankshaft	Without Gear	2W7458	247-5050	1
-------------------	--------------	--------	-----------------	---

37	4.7500" 638 CID (10.5L) 6 Cyl / 12 Valves; Turbocharged-Aftercooled Engine Code: 'G3306'			37
-----------	--	--	--	-----------

Cylinder Components

Cylinder Sleeve Assembly	10.5:1 CR, Contains OE# Piston 4P2654, Spark Ignited, Rectangular Compression Rings, OE Piston Pack# 0R3661	see at page 146	226-1861	6
Cylinder Sleeve		1105800	226-4493	6
Cylinder Sleeve (Bare)	Use With Part Number 223-7188	1105800	226-4493X	6
Piston	10.5:1 CR, Spark Ignited, Rectangular Compression Rings	4P2654	224-3271	6
Ring Set	Top OE# 5S7570, Oil OE# 7E6047, Natural Gas, 2 Ring Piston	See Note	S41670	6
	Top OE# 4P2656, Intermediate OE# 4P2657, Oil OE# 4P2658, 3 Ring Piston, Rectangular Compression Rings	See Note	S41841	6
Piston Pin	1.500" Diameter, 3.730" Length	7N9804	223-1829	6
Lock Ring	2 Per Package	9H4015	223-5503	6
Sleeve O-Ring Kit	Contains OE# 5S6670(3), 9L5854	5P8768	223-7188	6

Engine Gaskets

Engine Conversion Gasket Set		1870605	CS54163-1	1
		5P9099	CS54163-3	1
Engine Cylinder Head Gasket		1118015	54163	1
		6N7263	54235	1
Engine Valve Stem Seal Set		7W9143	B46016	12
Engine Oil Pan Gasket Set	Oil Pan Gasket Only, 1 Piece Pan, Segmented for both 4 And 6 Cylinder Engines	1694200	OS32166	1
	Gasket And Seals, 2 Piece Oil Pan	1694199	OS32224	1
Engine Timing Cover Gasket Set		6V4763	JV5118	1
Engine Timing Cover Seal	93.98MM Diameter, 12.7MM Width, For 63.55 Shaft	9Y9895	67767	1
Rear Main Seal Set		1383069	JV1686	1
		6V2983	JV1707	1
Rear Main Seal	Late Engine, 4.336" OD, Directional	4W0452	67645	1

Bearings

Connecting Rod Bearing		4W5739	CB-619AL	6
		8N8221	CB-619AL-10	
		8N8222	CB-619AL-20	
		8N8223	CB-619AL-30	
		Exclusive	CB-619AL-50	

PART	NOTES	OE INTERCHANGE NUMBER	PART NUMBER	PER ENGINE QTY
37 (cont.)	4.7500" 638 CID (10.5L) 6 Cyl / 12 Valves; Turbocharged-Aftercooled Engine Code: 'G3306'			37 (cont.)

Bearings (cont.)

Main Bearing Set	Contains Straight Shell Bearings, Requires Thrust Washers, Not Included	2323233	MS-1114AL	1
		8N8225	MS-1114AL-10	
		8N8226	MS-1114AL-20	
		8N8227	MS-1114AL-30	
	Contains Flanged Bearing, Standard Size Set Contains OE# 2323233(6), 7S9439, .010" Undersize Set Contains OE# 3148652(6), 7S9844, .020" Undersize Set Contains OE# 8N8226(6), 7S9845	See Note	MS-958AL	1
See Note		MS-958AL-10		
See Note		MS-958AL-20		
Main Bearings	Straight Shell Bearing	2323233	MB-2580AL	6
		8N8225	MB-2580AL-10	
		8N8226	MB-2580AL-20	
		8N8227	MB-2580AL-30	
	Flanged Bearing	7S9439	MB-2581AL	1
		7S9844	MB-2581AL-10	
		7S9845	MB-2581AL-20	
Thrust Washer Set	Contains 2 Pieces	6N8940	TW-252S	1
	.232" Oversize Length, Contains 2 Pieces	9S3037	TW-409S	1
	.215" Oversize Length, Contains 2 Pieces	1003652	TW-693S•	1
Thrust Washer (Individual)		6N8940	MB-2580W	2
	.232" Oversize Length	9S3037	MB-3057W	2
	.215" Oversize Length	1003652	MB-3451W	2

Valve Train & Ancillary

Valve (Intake)	Stellite, 2.020" Head Diameter, 5.510" Length, .3717" Stem, 30 Degree Seat, 2 Groove, Indirect Injection, Turbocharged, 2 Valve, Spark Ignited, Short Valve	2W2621	211-2491	6
-----------------------	---	--------	-----------------	---

Crankshaft

Crankshaft	Without Gear	2W7458	247-5050	1
	With Gear	2423439	247-5218	1

38	4.7500" 638 CID (10.5L) 6 Cyl / 12 Valves Engine Code: 'D334'			38
-----------	---	--	--	-----------

Cylinder Components

Cylinder Sleeve		1105800	226-4493	6
Cylinder Sleeve (Bare)	Use With Part Number 223-7188	1105800	226-4493X	6
Ring Set	Top OE# 9S3029, Intermediate OE# 5S6750, Oil OE# 9S7788, .219"/5.5MM Oil Ring	9S3068	S40963	6
Piston Pin	1.699" Diameter, 3.730" Length	7N9805	223-1835	6
Lock Ring	2 Per Package	1S9543	223-5502	6
Sleeve O-Ring Kit	Contains OE# 5S6670(3), 9L5854	5P8768	223-7188	6

PART	NOTES	OE INTERCHANGE NUMBER	PART NUMBER	PER ENGINE QTY
38 (cont.)	4.7500" 638 CID (10.5L) 6 Cyl / 12 Valves Engine Code: 'D334'			38 (cont.)

Bearings

Connecting Rod Bearing		4W5739	CB-619AL	6
		8N8221	CB-619AL-10	
		8N8222	CB-619AL-20	
		8N8223	CB-619AL-30	
		Exclusive	CB-619AL-50	
Main Bearing Set	Contains Straight Shell Bearings, Requires Thrust Washers, Not Included	2323233	MS-1114AL	1
		8N8225	MS-1114AL-10	
		8N8226	MS-1114AL-20	
		8N8227	MS-1114AL-30	
	Contains Flanged Bearing, Standard Size Set Contains OE# 2323233(6), 7S9439, .010" Undersize Set Contains OE# 3148652(6), 7S9844, .020" Undersize Set Contains OE# 8N8226(6), 7S9845	See Note	MS-958AL	1
		See Note	MS-958AL-10	
		See Note	MS-958AL-20	
Main Bearings	Straight Shell Bearing	2323233	MB-2580AL	6
		8N8225	MB-2580AL-10	
		8N8226	MB-2580AL-20	
		8N8227	MB-2580AL-30	
	Flanged Bearing	7S9439	MB-2581AL	1
		7S9844	MB-2581AL-10	
		7S9845	MB-2581AL-20	
Thrust Washer Set	Contains 2 Pieces	6N8940	TW-252S	1
	.232" Oversize Length, Contains 2 Pieces	9S3037	TW-409S	1
	.215" Oversize Length, Contains 2 Pieces	1003652	TW-693S•	1
Thrust Washer (Individual)		6N8940	MB-2580W	2
	.232" Oversize Length	9S3037	MB-3057W	2
	.215" Oversize Length	1003652	MB-3451W	2

Valve Train & Ancillary

Valve Keeper	2 Exhaust Valves Per Cylinder, Valves with Rotocap Assembly, Engines with Rotocap Assembly, Except Roto Valve, Late Design, 1 Lock Groove Valve, Iron, .500" OD, 2.500" Length	3B1143	216-5234	24
---------------------	--	--------	-----------------	----

Filters

Spin-on fuel filter		1P2299 1R0711	KC 28	1
----------------------------	--	------------------	--------------	---

39	4.7500" 638 CID (10.5L) 6 Cyl / 12 Valves; Turbocharged Engine Code: '1674'			39
-----------	---	--	--	-----------

Cylinder Components

Cylinder Sleeve		1105800	226-4493	6
Cylinder Sleeve (Bare)	Use With Part Number 223-7188	1105800	226-4493X	6
Ring Set	Top OE# 9S3029, Intermediate OE# 5S6750, Oil OE# 9S7788, .219"/5.5MM Oil Ring	9S3068	S40963	6
Piston Pin	1.699" Diameter, 3.730" Length	7N9805	223-1835	6
Lock Ring	2 Per Package	1S9543	223-5502	6
Sleeve O-Ring Kit	Contains OE# 5S6670(3), 9L5854	5P8768	223-7188	6

PART	NOTES	OE INTERCHANGE NUMBER	PART NUMBER	PER ENGINE QTY
39 (cont.)	4.7500" 638 CID (10.5L) 6 Cyl / 12 Valves; Turbocharged Engine Code: '1674'			39 (cont.)

Bearings

Connecting Rod Bearing		4W5739	CB-619AL	6
		8N8221	CB-619AL-10	
		8N8222	CB-619AL-20	
		8N8223	CB-619AL-30	
		Exclusive	CB-619AL-50	
Main Bearing Set	Contains Straight Shell Bearings, Requires Thrust Washers, Not Included	2323233	MS-1114AL	1
		8N8225	MS-1114AL-10	
		8N8226	MS-1114AL-20	
		8N8227	MS-1114AL-30	
	Contains Flanged Bearing, Standard Size Set Contains OE# 2323233(6), 7S9439, .010" Undersize Set Contains OE# 3148652(6), 7S9844, .020" Undersize Set Contains OE# 8N8226(6), 7S9845	See Note	MS-958AL	1
		See Note	MS-958AL-10	
		See Note	MS-958AL-20	
Main Bearings	Straight Shell Bearing	2323233	MB-2580AL	6
		8N8225	MB-2580AL-10	
		8N8226	MB-2580AL-20	
		8N8227	MB-2580AL-30	
	Flanged Bearing	7S9439	MB-2581AL	1
		7S9844	MB-2581AL-10	
		7S9845	MB-2581AL-20	
	Thrust Washer Set	Contains 2 Pieces	6N8940	TW-252S
.232" Oversize Length, Contains 2 Pieces		9S3037	TW-409S	1
.215" Oversize Length, Contains 2 Pieces		1003652	TW-693S•	1
Thrust Washer (Individual)		6N8940	MB-2580W	2
	.232" Oversize Length	9S3037	MB-3057W	2
	.215" Oversize Length	1003652	MB-3451W	2

Filters

Spin-on fuel filter		1P2299 1R0711	KC 28	1
----------------------------	--	------------------	--------------	---

40	4.7500" 638 CID (10.5L) 6 Cyl / 12 Valves; Sleeved Engine 3306 Series			40
-----------	---	--	--	-----------

Cylinder Components

Cylinder Sleeve Assembly	15.0:1 CR, Contains OE# Piston 9N5250, 1.700" Diameter Pin, Rectangular Compression Rings, Dual Ni-Resist Inserts, Bolt In Heat Plug, OE Piston Pack# OR1694	see at page 146	226-1695	6
	Contains OE# Piston 9N5403, 1.700" Diameter Pin, Keystone Compression Rings, Dual Ni-Resist Inserts, Bolt In Heat Plug, Precombustion, OE Piston Pack# OR1695	see at page 146	226-1882	6
	15.1:1 CR, Contains OE# Piston 1290358, Retangular Rings, No Heat Plug, Direct Injection, Tapered Rod, 3MM/.125" Oil Ring, OE Piston Pack# OR1696	see at page 146	226-1889	6
	Contains OE# Piston 8N3182, 1.500" Diameter Pin, Dual Ni-Resist Inserts, 4MM/.156" Oil Ring, Late Skirt Profile, OE Piston Pack# OR1692	see at page 146	226-1967	6

PART	NOTES	OE INTERCHANGE NUMBER	PART NUMBER	PER ENGINE QTY
40 (cont.)	4.7500" 638 CID (10.5L) 6 Cyl / 12 Valves; Sleeved Engine 3306 Series			40 (cont.)
Cylinder Components (cont.)				
Cylinder Sleeve Assembly (cont.)	15.0:1 CR, Contains OE# Piston 165-4262, 1.700" Diameter Pin, 4MM/.156" Oil Ring, OE Piston Pack# OR1697	see at page 146	226-1968	6
	17.0:1 CR, Contains OE# Piston 1073565, Keystone Compression Rings, Direct Injection, 285-305 HP, OE Piston Pack# OR4635	see at page 146	226-1974	6
	17.0:1 CR, Contains OE# Piston 1548087, 1.700" Diameter Pin, Direct Injection, 285-305 HP, OE Piston Pack# OR4506	see at page 146	226-1975	6
	16.0:1 CR, Contains OE# Piston 168-4531, 1.700" Diameter Pin, Direct Injection, 4MM/.156" Oil Ring, OE Piston Pack# OR3043	see at page 146	226-1988	6
	16.0:1 CR, Rectangular Compression Rings, 4MM Oil Rings	see at page 146	226-2047	6
Cylinder Sleeve		1105800	226-4493	6
Cylinder Sleeve (Bare)	Use With Part Number 223-7188	1105800	226-4493X	6
Piston	15.0:1 CR, 1.700" Diameter Pin, Rectangular Compression Rings, Dual Ni-Resist Inserts, Bolt In Heat Plug	9N5250	224-3034	6
	15.1:1 CR, Rectangular Compression Rings, 3MM/.125" Oil Ring, No Heat Plug, Direct Injection, Tapered Rod	1290358	224-3297	6
	15.0:1 CR, 1.700" Diameter Pin, 4MM/.156" Oil Ring, Requires Ring Set S41942 Sold Separately	1654262	224-3368	6
	1.500" Diameter Pin, Dual Ni-Resist Inserts, 4MM/.156" Oil Ring, Late Skirt Profile, Requires Ring Set S40963 Sold Separately	8N3182	224-3369	6
	17.0:1 CR, 1.700" Diameter Pin, Direct Injection, 285-305 HP	1548087	224-3396	6
	16.0:1 CR, 1.700" Diameter Pin, Direct Injection, 4MM/.156" Oil Ring	1684531	224-3586	6
Piston (Bare)	15.0:1 CR, 1.700" Diameter Pin, Rectangular Compression Rings, Dual Ni-Resist Inserts, Bolt In Heat Plug, Contained Within 226-1695, Use With Part Number 223-1835 And 223-5502	9N5250	224-3034X	6
	1.700" Diameter Pin, Keystone Compression Rings, Dual Ni-Resist Inserts, Bolt In Heat Plug, Precombustion, Contained Within 226-1882, Use With Part Number 223-1835 And 223-5502	9N5403	224-3251X	6
	15.1:1 CR, Retangular Rings, 3MM/.125" Oil Ring, No Heat Plug, Direct Injection, Tapered Rod, Contained Within 226-1889, Requires Ring Set S41653 Sold Separately, Use With Part Number 223-1835 And 223-5502	1290358	224-3297X	6
	15.0:1 CR, 1.700" Diameter Pin, 4MM/.156" Oil Ring, Contained Within 226-1968, Requires Ring Set S41942 Sold Separately, Use With Part Number 223-1835 And 223-5502	1654262	224-3368X	6
	1.500" Diameter Pin, Dual Ni-Resist Inserts, 4MM/.156" Oil Ring, Late Skirt Profile, Contained Within 226-1967, Requires Ring Set S40963 Sold Separately, Use With Part Number 223-1829 And 223-5503	8N3182	224-3369X	6
	17.0:1 CR, 1.700" Diameter Pin, Direct Injection, 285-305 HP, Contained Within 226-1975, Use With Part Number 223-1835 And 223-5502	1548087	224-3396X	6
	16.0:1 CR, 1.700" Diameter Pin, Direct Injection, 4MM/.156" Oil Ring, Contained Within 226-1988, Use With Part Number 223-1835 And 223-5502, OE Piston Pack# OR3043	1684531	224-3586X	6
	16.0:1 CR, Contained Within 226-2047, Use With Part Number 223-1835 And 223-5502	1646560	224-3748X•	6

PART	NOTES	OE INTERCHANGE NUMBER	PART NUMBER	PER ENGINE QTY
40 (cont.)	4.7500" 638 CID (10.5L) 6 Cyl / 12 Valves; Sleeved Engine 3306 Series			40 (cont.)

Cylinder Components (cont.)

Ring Set	Top OE# 9S3029, Intermediate OE# 5S6750, Oil OE# 9S7788, .219"/5.5MM Oil Ring	9S3068	S40963	6
	Top OE# 2W1707, Intermediate OE# 2W1708, Oil OE# 7E6047, .118"/3MM Oil Ring, Keystone Compression Rings	2W1709	S41394	6
	Top OE# 9S3029, Intermediate OE# 5S6750, Oil OE# 7E6047, .118"/3MM Oil Ring, Rectangular Compression Rings	2W6091	S41653	6
	Top OE# 2W1707, Intermediate OE# 2W1708, Oil OE# 6I0497, .156"/4MM Oil Ring, Keystone Compression Rings	2114321	S41942	6
	Top OE# 1006694, Intermediate OE# 1006695, Oil OE# 6I0497, 2 Keystone, Reverse Twist Intermediate, 0.156/4MM Thick	See Note	S42054	6
	Supersedes To S42054	See Note	S42085	6
	Top OE# 9S3029, Intermediate OE# 5S6750, Oil OE# 6I0497	See Note	S42139	6
Piston Pin	1.500" Diameter, 3.730" Length	7N9804	223-1829	6
	1.699" Diameter, 3.730" Length	7N9805	223-1835	6
Lock Ring	2 Per Package	1S9543	223-5502	6
	2 Per Package	9H4015	223-5503	6
	2 Per Package	8N7296	223-5508	6
Sleeve O-Ring Kit	Contains OE# 5S6670(3), 9L5854	5P8768	223-7188	6

Engine Gaskets

Engine Cylinder Head Gasket Set		6V2531	HS4966	1
		1551380	HS54163-1	1
		3E7471	HS54163-11	1
		1551379	HS54163-12	1
		9X2224	HS54163-2	1
		8T1622	HS54163-3	1
		2348021	HS54163-4	1
	Consolidated Set	2348002 2348008	HS54163-7	1
		2347988	HS54163-8	1
		6V2527	HS54163-9	1
	Consolidated Set	5P9098 6V0712	HS54235-2	1
		6V0715	HS54235-3	1
Conversion Set		6V2514	CS54163-5	1
		6V8023	CS54163-6	1
		8T7039	CS54163-7	1
Engine Conversion Gasket Set		1873252	CS4930A	1
		1870605	CS54163-1	1
		5P8767	CS54163-2	1

PART	NOTES	OE INTERCHANGE NUMBER	PART NUMBER	PER ENGINE QTY	
40 (cont.)	4.7500" 638 CID (10.5L) 6 Cyl / 12 Valves; Sleeved Engine 3306 Series			40 (cont.)	
Engine Gaskets (cont.)					
Engine Conversion Gasket Set (cont.)		5P9099	CS54163-3	1	
		1873255	CS54163-4	1	
Engine Cylinder Head Gasket		1118015	54163	1	
		6N7263	54235	1	
Engine Valve Cover Gasket Set		8S1605	VS50315	1	
Engine Valve Cover Gasket	Rocker Gasket, Seal Stock, 3 Meters Long, 4.19 MM X 9.52 MM	5P5678	VS50518	1	
Engine Valve Stem Seal Set		6N7174	B45886	12	
Engine Oil Pan Gasket Set	Oil Pan Gasket Only, 1 Piece Pan, Segmented for both 4 And 6 Cylinder Engines	1694200	OS32166	1	
	Gasket And Seals, 2 Piece Oil Pan	1694199	OS32224	1	
Engine Timing Cover Gasket Set		1402246	JV5115	1	
		5P9100	JV5116	1	
		6V1658	JV5117	1	
		6V4763	JV5118	1	
		1208998	JV5120	1	
		1387720	JV5121	1	
		6V1549	JV5122	1	
		7X2833	JV5124	1	
		8T9485	JV5125	1	
		6V0611	JV5126	1	
		6V4785	JV5127	1	
		Consolidated Set	8C5051	JV5128	1
			5P9416	JV5147	1
			5P9568	JV5148	1
	Engine Timing Cover Seal		7K9201	49353	1
93.98MM Diameter, 12.7MM Width, For 63.55 Shaft		9Y9895	67767	1	
Rear Main Seal Set		1383069	JV1686	1	
		6V2982	JV1706	1	
		6V2983	JV1707	1	
		6V5976	JV1708	1	
		2801470	JV1710	1	
		8C8745	JV1711	1	
		8T2466	JV1712	1	

PART	NOTES	OE INTERCHANGE NUMBER	PART NUMBER	PER ENGINE QTY
40 (cont.)	4.7500" 638 CID (10.5L) 6 Cyl / 12 Valves; Sleeved Engine 3306 Series			40 (cont.)
Engine Gaskets (cont.)				
Rear Main Seal Set (cont.)	Consolidated Set	1417278 8C8741	JV1713	1
		8C8744	JV1714	1
Rear Main Seal	Late Engine, 4.336" OD, Directional	4W0452	67645	1
		7C4297	67821	1
Bearings				
Connecting Rod Bearing		4W5739	CB-619AL	6
		8N8221	CB-619AL-10	
		8N8222	CB-619AL-20	
		8N8223	CB-619AL-30	
		Exclusive	CB-619AL-50	
Main Bearing Set	Contains Straight Shell Bearings, Requires Thrust Washers, Not Included	2323233	MS-1114AL	1
		8N8225	MS-1114AL-10	
		8N8226	MS-1114AL-20	
		8N8227	MS-1114AL-30	
	Contains Flanged Bearing, Standard Size Set Contains OE# 2323233(6), 7S9439, .010" Undersize Set Contains OE# 3148652(6), 7S9844, .020" Undersize Set Contains OE# 8N8226(6), 7S9845	See Note	MS-958AL	1
		See Note	MS-958AL-10	
		See Note	MS-958AL-20	
Main Bearings	Straight Shell Bearing	2323233	MB-2580AL	6
		8N8225	MB-2580AL-10	
		8N8226	MB-2580AL-20	
		8N8227	MB-2580AL-30	
	Flanged Bearing	7S9439	MB-2581AL	1
		7S9844	MB-2581AL-10	
		7S9845	MB-2581AL-20	
Thrust Washer Set	Contains 2 Pieces	6N8940	TW-252S	1
	.232" Oversize Length, Contains 2 Pieces	9S3037	TW-409S	1
	.215" Oversize Length, Contains 2 Pieces	1003652	TW-693S•	1
Thrust Washer (Individual)		6N8940	MB-2580W	2
	.232" Oversize Length	9S3037	MB-3057W	2
	.215" Oversize Length	1003652	MB-3451W	2
Camshaft Bearing		7M4046	SH-2170	1
		9M5477	SH-2171	1
Piston Pin Bushing	Tapered Rod, Large Pin 1.700"	8N1849	223-3706•	6
	Straight Rod, Small Pin 1.500"	8N 0702	223-3707•	6
	Tapered Rod, Small Pin 1.500"	8N1985	223-3708•	6
Valve Train & Ancillary				
Valve (Intake)	Stellite, 2.020" Head Diameter, 5.510" Length, .3717" Stem, 30 Degree Seat, 2 Groove, Indirect Injection, Turbocharged, 2 Valve, Spark Ignited, Short Valve	2W2621	211-2491	6
	Supersedes To 211-2491	2476892	211-2752	6
	Non-Stellite, 2.020" Head Diameter, 5.350" Length, .3717" Stem, 30 Degree Seat, 2 Groove, Small Margin Valve, 2 Valve	1007860	211-3339	6

PART	NOTES	OE INTERCHANGE NUMBER	PART NUMBER	PER ENGINE QTY
40 (cont.)	4.7500" 638 CID (10.5L) 6 Cyl / 12 Valves; Sleeved Engine 3306 Series			40 (cont.)

Valve Train & Ancillary (cont.)

Valve (Exhaust)	Stellite, 1.896" Head Diameter, 5.469" Length, .3717" Stem, 30 Degree Seat, 2 Groove, Indirect Injection, Turbocharged, 2 Valve	8N0875	211-2492	6
	Supersedes To 211-2492	5S6449	211-2753	6
	1.896" Head Diameter, 5.300" Length, Stellite Face Small Margin Valve, Direct Injection	1487455	211-3306	6
Valve Guide (Intake & Exhaust)		1787502	217-3260	12

Filters

Spin-on fuel filter		1006374 1174089 1383100	KC 227	1
	Water Separator	1335673	KC 430D	1

Turbochargers

Turbocharger		see at page 485	127 TC 15122 000	1
		see at page 485	127 TC 17332 000	1
		see at page 485	127 TC 21102 000	1
		see at page 485	127 TC 21103 000	1
		see at page 485	127 TC 21104 000	1
		see at page 486	127 TC 24164 000•	1
		see at page 486	127 TC 24169 000	1
		see at page 486	127 TC 24174 000	1
		see at page 486	127 TC 27057 000	1

Crankshaft

Crankshaft	Without Gear	2W7458	247-5050	1
	With Gear	2423439	247-5218	1

41 4.7500" 638 CID (10.5L) 6 Cyl / 12 Valves; Turbocharged Sleeved Engine
Engine Code: '1673C'

41

Cylinder Components

Cylinder Sleeve Assembly	15.0:1 CR, Contains OE# Piston 9N5250, 1.700" Diameter Pin, Rectangular Compression Rings, Dual Ni-Resist Inserts, Bolt In Heat Plug, OE Piston Pack# 0R1694	see at page 146	226-1695	6
Cylinder Sleeve		1105800	226-4493	6
Cylinder Sleeve (Bare)	Use With Part Number 223-7188	1105800	226-4493X	6
Piston	15.0:1 CR, 1.700" Diameter Pin, Rectangular Compression Rings, Dual Ni-Resist Inserts, Bolt In Heat Plug	9N5250	224-3034	6
Piston (Bare)	15.0:1 CR, 1.700" Diameter Pin, Rectangular Compression Rings, Dual Ni-Resist Inserts, Bolt In Heat Plug, Contained Within 226-1695, Use With Part Number 223-1835 And 223-5502	9N5250	224-3034X	6
Ring Set	3 Ring Piston, Top OE# 3S4027, Intermediate OE# 3S4026, Oil OE# 9S4867	9S8704	S40574	6
Piston Pin	1.699" Diameter, 3.730" Length	7N9805	223-1835	6
Lock Ring	2 Per Package	1S9543	223-5502	6
Sleeve O-Ring Kit	Contains OE# 5S6670(3), 9L5854	5P8768	223-7188	6

Engine Gaskets

Engine Valve Stem Seal Set		6N7174	B45886	12
-----------------------------------	--	--------	---------------	----

PART	NOTES	OE INTERCHANGE NUMBER	PART NUMBER	PER ENGINE QTY
41 (cont.)	4.7500" 638 CID (10.5L) 6 Cyl / 12 Valves; Turbocharged Sleeved Engine Engine Code: '1673C'			41 (cont.)

Bearings

Connecting Rod Bearing		4W5739	CB-619AL	6
		8N8221	CB-619AL-10	
		8N8222	CB-619AL-20	
		8N8223	CB-619AL-30	
		Exclusive	CB-619AL-50	
Main Bearing Set	Contains Straight Shell Bearings, Requires Thrust Washers, Not Included	2323233	MS-1114AL	1
		8N8225	MS-1114AL-10	
		8N8226	MS-1114AL-20	
		8N8227	MS-1114AL-30	
	Contains Flanged Bearing, Standard Size Set Contains OE# 2323233(6), 7S9439, .010" Undersize Set Contains OE# 3148652(6), 7S9844, .020" Undersize Set Contains OE# 8N8226(6), 7S9845	See Note	MS-958AL	1
		See Note	MS-958AL-10	
		See Note	MS-958AL-20	
Main Bearings	Straight Shell Bearing	2323233	MB-2580AL	6
		8N8225	MB-2580AL-10	
		8N8226	MB-2580AL-20	
		8N8227	MB-2580AL-30	
	Flanged Bearing	7S9439	MB-2581AL	1
		7S9844	MB-2581AL-10	
		7S9845	MB-2581AL-20	
Thrust Washer Set	Contains 2 Pieces	6N8940	TW-252S	1
	.232" Oversize Length, Contains 2 Pieces	9S3037	TW-409S	1
	.215" Oversize Length, Contains 2 Pieces	1003652	TW-693S•	1
Thrust Washer (Individual)		6N8940	MB-2580W	2
	.232" Oversize Length	9S3037	MB-3057W	2
	.215" Oversize Length	1003652	MB-3451W	2

Valve Train & Ancillary

Valve (Intake)	Stellite, 2.020" Head Diameter, 5.510" Length, .3717" Stem, 30 Degree Seat, 2 Groove, Indirect Injection, Turbocharged, 2 Valve, Spark Ignited, Short Valve	2W2621	211-2491	6
Valve (Exhaust)	Stellite, 1.896" Head Diameter, 5.469" Length, .3717" Stem, 30 Degree Seat, 2 Groove, Indirect Injection, Turbocharged, 2 Valve	8N0875	211-2492	6
Valve Guide (Intake & Exhaust)		1787502	217-3260	12

42	4.9200" 629 CID (10.3L) 6 Cyl / 24 Valves; Turbocharged OHV Engine Code: '3176'			42
-----------	---	--	--	-----------

Valve Train & Ancillary

Valve (Intake)	1.772" Head Diameter	7E9578	211-4194	12
Valve Guide (Intake)	2.625" OD, For Upgrading To A Replaceable Guide	6I2864	217-3307	6
Valve Guide (Exhaust)	2.9765" OD, For Upgrading To A Replaceable Guide	6I2865	217-3306	12

Filters

Spin-on oil filter		1W8845 7C4228 9Y4468	OC 282	1
---------------------------	--	----------------------------	---------------	---

PART	NOTES	OE INTERCHANGE NUMBER	PART NUMBER	PER ENGINE QTY
42 (cont.)	4.9200" 629 CID (10.3L) 6 Cyl / 24 Valves; Turbocharged OHV Engine Code: '3176'			42 (cont.)

Filters (cont.)

Spin-on oil filter (cont.)		1R0716 2P4005	OC 484	1
Spin-on fuel filter	Water Separator	1335673	KC 430D	1

Turbochargers

Turbocharger		see at page 485	127 TC 24088 000•	1
--------------	--	-----------------	--------------------------	---

43	4.9210" 629 CID (10.3L) 6 Cyl / 24 Valves Engine Code: 'C10'			43
-----------	--	--	--	-----------

Bearings

Connecting Rod Bearing		2170577	CB-1941P•	6
		1280390	CB-1941P-.50MM	
Main Bearings		2110588	MB-3975P	3
		1280382	MB-3975P-.50MM	
		2110587	MB-3976P	4
		1280400	MB-3976P-.50MM	
Thrust Washer Set		2463144	TW-701S	1
Camshaft Bearing	Intermediate	2165583	SH-2166	5
	Front	2165584	SH-2167	1
	Rear	2165585	SH-2168	1
Piston Pin Bushing		7W5844	223-3712•	6

Valve Train & Ancillary

Valve (Intake)	1.772" Head Diameter	7E9578	211-4194	12
----------------	----------------------	--------	-----------------	----

Filters

Spin-on oil filter		1W8845 7C4228 9Y4468	OC 282	1
		1R0716 2P4005	OC 484	1

44	5.1180" 667 CID (11.1L) 6 Cyl; Turbocharged Engine Code: 'C11'			44
-----------	--	--	--	-----------

Bearings

Connecting Rod Bearing	Bearing With Oil Hole	1161089	CB-1931P	6
		1280395	CB-1931P-.50MM	
Main Bearings		2110588	MB-3975P	3
		1280382	MB-3975P-.50MM	
		2110587	MB-3976P	4
		1280400	MB-3976P-.50MM	
Thrust Washer Set		2463144	TW-701S	1
Camshaft Bearing	Intermediate	2165583	SH-2166	5
	Front	2165584	SH-2167	1
	Rear	2165585	SH-2168	1
		1878969	SH-2180	1
Piston Pin Bushing		1152972	223-3697	6

PART	NOTES	OE INTERCHANGE NUMBER	PART NUMBER	PER ENGINE QTY
44 (cont.)	5.1180" 667 CID (11.1L) 6 Cyl; Turbocharged Engine Code: 'C11'			44 (cont.)

Turbochargers

Turbocharger		see at page 485	127 TC 21205 000•	1
--------------	--	-----------------	--------------------------	---

Crankshaft

Crankshaft		3133996	247-5233	1
------------	--	---------	-----------------	---

45	5.1180" 732 CID (12.0L) 6 Cyl / 24 Valves; Turbocharged OHV Engine Code: 'C12'			45
-----------	--	--	--	-----------

Bearings

Connecting Rod Bearing	Bearing With Oil Hole	1161089	CB-1931P	6
		1280395	CB-1931P-.50MM	
Main Bearings		2110588	MB-3975P	3
		1280382	MB-3975P-.50MM	
		2110587	MB-3976P	4
		1280400	MB-3976P-.50MM	
Thrust Washer Set		2463144	TW-701S	1
Camshaft Bearing	Intermediate	2165583	SH-2166	5
	Front	2165584	SH-2167	1
	Rear	2165585	SH-2168	1
Piston Pin Bushing		1152972	223-3697	6

Valve Train & Ancillary

Valve (Intake)	1.772" Head Diameter	7E9578	211-4194	12
----------------	----------------------	--------	-----------------	----

Filters

Spin-on oil filter		1W8845 7C4228 9Y4468	OC 282	1
		1R0716 2P4005	OC 484	1

46	5.1200" 763 CID (15.2L) 6 Cyl; Turbocharged Engine Code: 'C13'			46
-----------	--	--	--	-----------

Bearings

Camshaft Bearing	Intermediate	2165583	SH-2166	5
		1878969	SH-2180	1

Turbochargers

Turbocharger		see at page 485	127 TC 21205 000•	1
--------------	--	-----------------	--------------------------	---

Crankshaft

Crankshaft		3133997	247-5234	1
------------	--	---------	-----------------	---

47	5.4000" 595 CID (9.8L) 4 Cyl / 16 Valves Engine Code: 'D340'			47
-----------	--	--	--	-----------

Cylinder Components

Ring Set	Top OE# 8N0502, Intermediate OE# 2P2817, Oil OE# 7N7078, Keystone Compression Rings	8N0822	S41159	4
----------	---	--------	---------------	---

Bearings

Connecting Rod Bearing		7W2136	CB-694AL	4
		8N5339	CB-694AL-25	

PART	NOTES	OE INTERCHANGE NUMBER	PART NUMBER	PER ENGINE QTY
48	5.4000" 893 CID (14.6L) 6 Cyl / 24 Valves Engine Code: 'G3406'			48

Cylinder Components

Cylinder Sleeve Assembly	10.0:1 CR, Contains OE# Piston 7E3888, 2.000" Diameter Pin, Rectangular Compression Rings, Spark Ignited, Dual Ni-Resist Inserts	see at page 148	226-2020	6
Cylinder Sleeve		1979322	226-4506	6
Cylinder Sleeve (Bare)	Use With Part Number 223-7195	1979322	226-4506X	6
Piston	10.0:1 CR, 2.000" Diameter Pin, Rectangular Compression Rings, Spark Ignited, Dual Ni-Resist Inserts	7E3888	224-3588	6
Piston (Bare)	10.0:1 CR, 2.000" Diameter Pin, Rectangular Compression Rings, Spark Ignited, Dual Ni-Resist Inserts, Contained Within 226-2020, Use With Part Number 223-1830 And 223-5507	7E3888	224-3588X	6
Ring Set	Top OE# 9S2263, Intermediate OE# 7C8939, Oil OE# 7W6952	See Note	S41908	6
Piston Pin	2.000" Diameter, 4.405" Length	8N1608	223-1830	6
Lock Ring	2 Per Package	7E5665	223-5507	6
Sleeve O-Ring Kit	Contains OE# 9L5854, 1102220, 1427072, 1426217	1609874	223-7195	6

Engine Gaskets

Engine Cylinder Head Gasket Set	Consolidated Set	1464229 2339474	HS54154-7	1
Engine Conversion Gasket Set		8T6930	CS54154-13	1
		8C4455	CS54154-14	1
		3E4326	CS54154-6	1
Engine Cylinder Head Gasket		6I3066	54154	1
Engine Valve Cover Gasket	Rocker Gasket, Seal Stock, 3 Meters Long, 4.19 MM X 9.52 MM	5P5678	VS50518	1
Engine Valve Stem Seal Set		6N7174	B45886	24
Exhaust Manifold Gasket Set	Contains 6 Pieces	1299452 7N8175	MS19416	1
Engine Oil Pan Gasket Set	1 Pan Gasket Only, Puzzle Gasket, Paper, For Both Inline and V Series	4N1151	OS32183	1
Engine Timing Cover Gasket Set		1018643	JV5047	1
		2341874	JV5049•	1
		2341866	JV5089	1
Engine Timing Cover Seal	Includes Repair Sleeve	1425867	67741	1
Rear Main Seal Set	Consolidated Set	2326574 6V8608 7X2863	JV1672	1
		2322922 8C5799	JV1674	1
		2323679	JV1698	1
Rear Main Seal	Includes Repair Sleeve	1425868	67656	1

PART	NOTES	OE INTERCHANGE NUMBER	PART NUMBER	PER ENGINE QTY
49	5.4000" 928 CID (15.2L) 6 Cyl / 24 Valves Engine Code: 'C15'			49

Cylinder Components

Cylinder Sleeve Assembly	15.9:1 CR, Industrial, Contains OE# Crown 2212305, OE Piston Pack# 0R8017	see at page 148	226-1972	6
	18.0:1 CR, Ferrotherm, Bainitic Material, Contains OE# 180-7351 Crown, 132-6663 Skirt, 168-7246 Pin And 7E1177 Locks	see at page 147	226-2048•	6
	16.6:1 CR, Ferrotherm	see at page 147	226-2049	6
	18.0:1 CR, Monotherm, Bushingless Piston	see at page 148	226-2054•	6
Cylinder Sleeve (Bare)	Use With Part Number 223-7195	1979322	226-4506X	6
	Bainitic Material	1979322	226-4617X	6
Piston	15.9:1 CR, Industrial, Contains OE# Crown 2212305, 1326663 Skirt, 1687246 Pin, 7E1177 Locks, Contained Within 226-1972	See Note	224-3587	6
	16.6:1 CR, Ferrotherm	2250115	224-3636	6
Piston (Bare)	18.0:1 CR, Monotherm, Bushingless Piston	3067460	224-3641X•	6
Piston Crown	15.9:1 CR, Industrial, Contained Within 226-1972	221-2305	224-3377X	6
	18.0:1 CR, Ferrotherm, Contained Within 226-2048	1917855	224-3635X	6
	16.6:1 CR, Ferrotherm, Contained Within 226-2049	2250115	224-3636X	6
Piston Skirt		1326663	224-3347X	6
Ring Set	Top OE# 1777496, Intermediate OE# 1765749, Oil OE# 1899771	See Note	S41927	6
	For Ferrotherm Piston, 16.6:1 CR, Top OE# 2257010, Intermediate OE# 1765749, Oil OE# 1899771	See Note	S42181•	6
	Top OE# 2370194, Intermediate OE# 2384737, Oil OE# 2380294	See Note	S42223•	6
Piston Pin	1.574" Diameter, 3.346" Length	1687246	223-1846	6
	For Bushingless Monotherm Piston	1807350	223-1952	6
Lock Ring	2 Per Package	7E1177	223-5511	6
	2 Per Package, For Bushingless Monotherm Piston	2502940	223-5531•	6
Sleeve O-Ring Kit	Contains OE# 9L5854, 1102220, 1427072, 1426217	1609874	223-7195	6
Sealing Shim	Liner Shim, .0304" / .772MM Thick	6I4361	223-8015•	6
	Liner Shim, .0324" / .822MM Thick	9Y3368	223-8016•	6
	Liner Shim, .0343" / .871MM Thick	6I4362	223-8017•	6

Engine Gaskets

Engine Cylinder Head Gasket Set		2572754	HS54643-3	1
	Consolidated Set, Covers European Models	2969934 3211418	HS54643-4	1
	Contains OE# 2720390 Valve Cover Gasket And 1384611(6) Exhaust Manifold Gaskets	See Note	HS54643-6	1
	Consolidated Set, Contains OE# 2720390 Valve Cover Gasket	See Note	HS54643-7	1
Engine Conversion Gasket Set	Consolidated Set, Covers OE# 1905978, 2572756, 3211415, Contains OE# 1685248 Isolation Seal Oil Pan Gasket And OE #2401614(24) Oil Pan Grommets	See Note	CS54643-1	1
	Contains OE# 1685248 Isolation Seal Oil Pan Gasket And OE #2401614(24) Oil Pan Grommets	2969949	CS54643-2	1
	2 Piece Oil Pan, Contains OE# 4N1151(2), 3K0360, 1090078(4)	See Note	CS54643-3•	1

PART	NOTES	OE INTERCHANGE NUMBER	PART NUMBER	PER ENGINE QTY
49 (cont.)	5.4000" 928 CID (15.2L) 6 Cyl / 24 Valves Engine Code: 'C15'			49 (cont.)

Engine Gaskets (cont.)

In-frame Overhaul Set	Contains OE# 2533442, 2572754, 2969934, 3211418 Head Sets, 1685248 Pan Gasket And 2401614(24) Oil Pan Grommets	See Note	EK3537	1
	Covers OE# 2533442, 2572754, 2969934, 3211418 Head Sets And 4N1151(2) Pan Gasket	See Note	EK3538	1
Engine Cylinder Head Gasket	Can Be Used On 3406E When Head Has Been Upgraded To C15 Design	2245122	54643	1
Engine Valve Cover Gasket Set	For Engines With 3 Individual Valve Covers, Includes OE# Valve Cover Gasket 242-9537 And Valve Cover Grommets 149-7378(6)	See Note	VS50445	3
	Injector Removal and Replacement Gasket Kit, Contains OE# Valve Cover Gasket 242-9537(3), Rocker Cover Gasket 272-0390, Valve Cover Grommets 149-7378(18), Injector O Rings 9X7417(6), 9X7418(6), 9X7419(6)	See Note	VS50471	1
Engine Valve Cover Gasket	Rocker Gasket, Seal Stock, 3 Meters Long, 4.19 MM X 9.52 MM	5P5678	VS50518	1
Engine Valve Stem Seal Set		1632478	B45978	24
Exhaust Manifold Gasket Set	Exhaust Manifold Pipe/Sleeve with Gasket	2818261	MS19528	6
Engine Oil Pan Gasket Set	1 Pan Gasket Only, Puzzle Gasket, Paper, For Both Inline and V Series	4N1151	OS32183	1
	Contains OE# 1685248 Isolation Seal Oil Pan Gasket And OE #2401614(24) Oil Pan Grommets	See Note	OS32300	1
	2 Pan Gaskets, Puzzle Gasket, Contains OE# 4N1151(2), 1090078, 5P5846	4N1151	OS32500A	1
Engine Timing Cover Gasket Set		2341633	JV5104	1
	Consolidated set, Covers OE# 2341904 and 3211416	See Note	JV5105	1
		2390998	JV5106	1
		3483681	JV5107	1
Engine Timing Cover Seal	Includes Repair Sleeve	1425867	67741	1
Rear Main Seal Set	Consolidated Set, Covers OE# 2341877 and 3211417	See Note	JV1700	1
		2853200	JV1701	1
Rear Main Seal	Includes Repair Sleeve	1425868	67656	1

Miscellaneous Gaskets

Engine Coolant Thermostat Seal	Packaged in Quantities of 20	3S9643	GS27706	20
Engine Oil Cooler Gasket Set		1891814	GS33635	1
		305-6220	GS33636	1
Fuel Injection Nozzle O-Ring	Contains OE# 9X7317, 9X7319, 9X7318	2481394	GS33521	6

Bearings

Connecting Rod Bearing	1.930" Length	9Y7735	CB-1622P	6
		7E0558	CB-1622P-25	
		7E0559	CB-1622P-50	
	4 Bolt Connecting Rod	2243246	CB-1933P•	6
		2323235	CB-1933P-25	

PART	NOTES	OE INTERCHANGE NUMBER	PART NUMBER	PER ENGINE QTY
49 (cont.)	5.4000" 928 CID (15.2L) 6 Cyl / 24 Valves Engine Code: 'C15'			49 (cont.)

Bearings (cont.)

Main Bearings	1.645" Bearing Length	2170390	MB-2848AL	7
		Exclusive	MB-2848AL-10	
		4W5698	MB-2848AL-25	
		4W5699	MB-2848AL-50	
Thrust Washer Set	Set Includes OE# 2531752(2)	7E9262	TW-583S	1
Thrust Washer (Individual)		2531752	MB-3448W	2
Camshaft Bearing		2165582	SH-1979	7
Piston Pin Bushing	Wide Taper, Big Pin 2.16"	6I2726	223-3703•	6
	Late With 4 Bolt Connecting Rod	2296259	223-3704•	6

Valve Train & Ancillary

Valve (Intake)	1.850" Head Diameter, Inconel, 2 Groove	1537023	211-4166	12
Valve (Exhaust)	1.646" Head Diameter, Inconel, 2 Groove	1537024	211-4167	12
Valve Guide	.3745" ID, .6298" OD, 3.358" Length	1227375	217-4110	24
Valve Seat Insert (Exhaust)	1.4375" ID, 1.687" OD, .3650" Depth	1W5283	218-7805	12

Turbochargers

Turbocharger		see at page 485	127 TC 21201 000	1
---------------------	--	-----------------	-------------------------	---

Crankshaft

Crankshaft		1601799	247-5231	1
-------------------	--	---------	-----------------	---

50	5.4000" 893 CID (14.6L) 6 Cyl / 24 Valves Engine Code: 'D343'			50
-----------	---	--	--	-----------

Cylinder Components

Cylinder Block Repair Bushing	Upper Repair Block Bushing, For Use On Non-Blated Blocks- S/N 65B11052-Up	5P4173	223-8146•	6
Piston	Keystone Compression Rings, Dual Ni-Resist Inserts, Bolt In Heat Plug, Precombustion	9N2874	224-3275	6
Piston (Bare)	Keystone Compression Rings, Dual Ni-Resist Inserts, Bolt In Heat Plug, Precombustion	9N2874	224-3275X	6
Ring Set	Top OE# 8N0502, Intermediate OE# 2P2817, Oil OE# 7N7078, Keystone Compression Rings	8N0822	S41159	6
Piston Pin	1.999" Diameter, 4.525" Length	7N9806	223-1833	6
Lock Ring	2 Per Package	7E5665	223-5507	6
Sleeve O-Ring Kit	Contains OE# 3S3978(3), 9L5854	5P8789	223-7146	6

Bearings

Connecting Rod Bearing		7W2136	CB-694AL	6
		8N5339	CB-694AL-25	

Valve Train & Ancillary

Valve Guide (Intake & Exhaust)	.3750" ID, .6892" OD, 2.815" Length, For Rotators	4N3668	217-4063	24
Valve Seat Insert (Intake)	1.562" ID, 1.812" OD, .3650" Depth	4N5893	218-7806	12
Valve Seat Insert (Exhaust)	1.4375" ID, 1.687" OD, .3650" Depth	1W5283	218-7805	12

Filters

Spin-on fuel filter		1P2299 1R0711	KC 28	1
----------------------------	--	------------------	--------------	---

PART	NOTES	OE INTERCHANGE NUMBER	PART NUMBER	PER ENGINE QTY
51	5.4000" 893 CID (14.6L) 6 Cyl / 24 Valves 3406 Series			51

Cylinder Components

Cylinder Sleeve Assembly	15.6:1 CR, Up to 310 HP, Contains OE# Piston 9Y7212, B, ATAAC, Keystone Compression Rings, Dual Ni-Resist Inserts, Direct Injection, 9 Degree Wide Tapered Rod, OE Piston Pack# 0R2862 (Inline), 0R1572 (V Series), Standard Clearance Liner	see at page 147	226-1733	6
	14.5:1 CR, Contains OE# Piston 290-0017, B&C, DITA, Keystone Compression Rings, Dual Ni-Resist Inserts, No Heat Plug, Direct Injection, 9 Degree Wide Tapered Rod, Standard Clearance Liner	see at page 147	226-1734	6
	15.2:1 CR, Contains OE# Piston 9Y9889, Keystone Compression Rings, Dual Ni-Resist Inserts, ATAAC, 350-425 HP, Standard Clearance Liner	see at page 147	226-1855	6
	15.2:1 CR, Up To 310 HP, Contains OE# Piston 9Y3116, OE Piston Pack# 0R2413, 9 Degree Wide Tapered Rod, JWAC/ATAAC, Keystone Compression Rings, Dual Ni-Resist Inserts, No Heat Plug, Direct Injection, Replace In Sets Only, Applicable For 3406B Truck Engines EPA Code E, S/N 7FB27302-99999, 4MG1-3599	see at page 147	226-1898	6
	15.2:1 CR, 350-425 HP, Contains OE# Piston 7E0539, PEEC, Keystone Compression Rings, Wide Taper, 1990, OE Piston Pack# 0R2975	see at page 147	226-1901	6
	15.2:1 CR, 350-425 HP, Contains OE# Piston 7E8700, 2.000" Diameter Pin, B&C, Keystone Compression Rings, No Heat Plug, 9 Degree Wide Tapered Rod, OE Piston Pack# 0R4596 (B Model), 0R3782 (C Model)	see at page 147	226-1918	6
	16.4:1 CR, 310-425 HP, S/N From 3ZJ30054, Contains OE# Piston 1010016, C, OE Piston Pack# 0R4281-10R3787	see at page 147	226-1922	6
	14.5:1 CR, Gallery Cooled, Contains OE# Piston 1601131	see at page 148	226-2038	6
15.9:1 CR, Contains OE# Piston 1168154	see at page 149	226-2057	6	
Cylinder Sleeve		1979322	226-4506	6
Cylinder Sleeve (Bare)	Use With Part Number 223-7195	1979322	226-4506X	6
	Bainitic Material	1979322	226-4617X	6
Piston	15.2:1 CR, Keystone Compression Rings, Dual Ni-Resist Inserts, ATAAC	9Y9889	224-3023	6
	15.2:1 CR, PEEC, Keystone Compression Rings, Wide Taper	7E0539	224-3028	6
	14.5:1 CR, B&C, DITA, Keystone Compression Rings, Dual Ni-Resist Inserts, No Heat Plug, Direct Injection, 9 Degree Wide Tapered Rod	2900017	224-3244	6
	15.6:1 CR, ATAAC, Up To 310 HP, Keystone Compression Rings, Dual Ni-Resist Inserts, No Heat Plug, Direct Injection, 9 Degree Wide Tapered Rod	9Y7212	224-3245	6
	15.2:1 CR, Applicable For 3406B Truck Engines EPA Code E, S/N 7FB27302-99999, Up To 310 HP, JWAC/ATAAC, Keystone Compression Rings, Dual Ni-Resist Inserts, No Heat plug, Direct Injection, 9 Degree Wide Tapered Rod, Replace In Sets Only, 4MG1-3599	9Y3116	224-3268	6
	15.2:1 CR, 350-425 HP, 2.000" Diameter Pin, S/N Up To 3ZJ02847, Keystone Compression Rings, No Heat plug, 9 Degree Wide Tapered Rod	7E8700	224-3291	6
	16.4:1 CR, 310-425 HP, 3ZJ30054 And Up	1010016	224-3298	6
	17.0:1 CR, Keystone Compression Rings, Direct Injection, 285-305 HP	1073565	224-3395	6

PART	NOTES	OE INTERCHANGE NUMBER	PART NUMBER	PER ENGINE QTY
51 (cont.)	5.4000" 893 CID (14.6L) 6 Cyl / 24 Valves 3406 Series			51 (cont.)
Cylinder Components (cont.)				
Piston (Bare)	15.2:1 CR, 350-425 HP, Keystone Compression Rings, Dual Ni-Resist Inserts, ATAAC, Contained Within 226-1855, Use With Part Number 223-1830 And 223-5507	9Y9889	224-3023X	6
	15.2:1 CR, 350-425 HP, PEEC, Keystone Compression Rings, Wide Taper, 1990, Contained Within 226-1901, Use With Part Number 223-1830 And 223-5507	7E0539	224-3028X	6
	14.5:1 CR, B&C, DITA, Keystone Compression Rings, Dual Ni-Resist Inserts, No Heat Plug, Direct Injection, 9 Degree Wide Tapered Rod, Contained Within 226-1734, Use With Part Number 223-1830 And 223-5507	2900017	224-3244X	6
	15.6:1 CR, Up To 310 HP, B, ATAAC, Keystone Compression Rings, Dual Ni-Resist Inserts, No Heat Plug, Direct Injection, 9 Degree Wide Tapered Rod, Contained Within 226-1733, Use With Part Number 223-1830 And 223-5507	9Y7212	224-3245X	6
	15.2:1 CR, Up to 310 HP, Applicable For 3406B Truck Engines EPA Code E, S/N 7FB27302-99999, 4MG1-3599, JWAC/ATAAC, Keystone Compression Rings, Dual Ni-Resist Inserts, No Heat plug, Direct Injection, 9 Degree Wide Tapered Rod, Replace In Sets Only, Contained Within 226-1898, Use With Part Number 223-1830 And 223-5507	9Y3116	224-3268X	6
	15.2:1 CR, 350-425 HP, S/N Up To 3ZJ02847, 2.000" Diameter Pin, Keystone Compression Rings, No Heat Plug, 9 Degree Wide Tapered Rod, Contained Within 226-1918, Use With Part Number 223-1835 And 223-5502	7E8700	224-3291X	6
	16.4:1 CR, 310-425 HP, 3ZJ30054 And Up, C, Contained Within 226-1922, Use With Part Number 223-1846 And 223-5511	1010016	224-3298X	6
	17.0:1 CR, 285-305 HP, Keystone Compression Rings, Direct Injection, Contained Within 226-1974, Use With Part Number 223-1835 And 223-5502	1073565	224-3395X	6
	15.9:1 CR, Gallery Cooled	1168154	224-3750X•	6
	14.5:1 CR	1601131	224-3751X•	6
Ring Set	Top OE# 8N0502, Intermediate OE# 2P2817, Oil OE# 7N7078, Keystone Compression Rings	8N0822	S41159	6
	Covers 1W8922, Top OE# 1343761, Intermediate OE# 2P2817, Oil OE# 7N7078	See Note	S41890	6
Piston Pin	2.000" Diameter, 4.405" Length	8N1608	223-1830	6
	1.999" Diameter, 4.525" Length	7N9806	223-1833	6
	1.999" Diameter, 3.996" Length	7N9807	223-1839	6
Lock Ring	2 Per Package	7E5665	223-5507	6
	2 Per Package	7E1177	223-5511	6
Sleeve O-Ring Kit	Contains OE# 9L5854, 1102220, 1427072, 1426217	1609874	223-7195	6
Sealing Shim	Liner Shim, .0304" / .772MM Thick	6I4361	223-8015•	6
	Liner Shim, .0324" / .822MM Thick	9Y3368	223-8016•	6
	Liner Shim, .0343" / .871MM Thick	6I4362	223-8017•	6
Engine Gaskets				
Engine Full Gasket Set	Contains OE# 2322922, 2326574, 2341874, 3E4328, 5P8366, 6V9221, 7X7657, 8C5704, 9X6425	See Note	FS4966A	1
Engine Cylinder Head Gasket Set		Exclusive	HS4931B	1
		2266070	HS54154-1	1
		2310649	HS54154-15	1

PART	NOTES	OE INTERCHANGE NUMBER	PART NUMBER	PER ENGINE QTY
51 (cont.)	5.4000" 893 CID (14.6L) 6 Cyl / 24 Valves 3406 Series			51 (cont.)
Engine Gaskets (cont.)				
Engine Cylinder Head Gasket Set (cont.)		2193501	HS54154-17	1
		1412222	HS54154-18	1
	Consolidated Set	2326652 5P8053	HS54154-2	1
	Consolidated Set	2902060 8C5704	HS54154-4	1
	Consolidated Set	1464229 2339474	HS54154-7	1
		5P8366	HS54154-9	1
Engine Conversion Gasket Set		8T6930	CS54154-13	1
		8C4455	CS54154-14	1
		1104899	CS54154-15	1
		1294498	CS54154-16	1
		3E4328	CS54154-2	1
		6V9221	CS54154-4	1
		9X6473	CS54154-5	1
		3E4326	CS54154-6	1
		5P8108	CS54154-7	1
	Supersedes To CS54214-3	1309035	CS54214-2	1
		1429672	CS54214-3	1
		1190957	CS54214-7	1
In-frame Overhaul Set	Covers OE# 2193501, 2902060, 8C5704 Head Sets and 4N1151 Pan Gasket	See Note	EK0102VR	1
	Covers OE# 2266070, 2310649 Head Sets and 4N1151(2) Pan Gasket	See Note	EK0202	1
	Covers OE# 1464229, 2339474, 7X7657 Head Sets And 4N1151(2) Pan Gasket	See Note	EK3533VR	1
	Covers OE# 2326652, 5P8053 Head Sets and 4N1151(2) Pan Gasket	See Note	EK3534VR	1
Engine Cylinder Head Gasket		6I3066	54154	1
Exhaust Manifold Gasket Set	Contains 6 Pieces	1299452 7N8175	MS19416	1
	Contains 6 Pieces	1384611	MS19417	1
Engine Oil Pan Gasket Set	1 Pan Gasket Only, Puzzle Gasket, Paper, For Both Inline and V Series	4N1151	OS32183	1
	2 Pan Gaskets, Puzzle Gasket, Contains OE# 4N1151(2), 1090078, 5P5846	4N1151	OS32500A	1
Engine Timing Cover Gasket Set		2341874	JV5049•	1
		2341866	JV5089	1

PART	NOTES	OE INTERCHANGE NUMBER	PART NUMBER	PER ENGINE QTY
51 (cont.)	5.4000" 893 CID (14.6L) 6 Cyl / 24 Valves 3406 Series			51 (cont.)
Engine Gaskets (cont.)				
Engine Timing Cover Seal	Includes Repair Sleeve	1425867	67741	1
Rear Main Seal Set	Consolidated Set	2326574 6V8608 7X2863	JV1672	1
		2322922 8C5799	JV1674	1
		2323679	JV1698	1
Rear Main Seal	Includes Repair Sleeve	1425868	67656	1
Miscellaneous Gaskets				
Engine Coolant Thermostat Seal	Packaged in Quantities of 20	3S9643	GS27706	20
Fuel Injection Nozzle O-Ring	Contains OE# 9L9098, 5P2060, 8L2779, 1143364, 7W4487	See Note	GS33506	6
Bearings				
Connecting Rod Bearing	Locking Lug On Left Hand Side	9Y9497	CB-1262AL	6
		Exclusive	CB-1262AL-10	
		4W5702	CB-1262AL-25	
		4W5703	CB-1262AL-50	
	1.930" Length	9Y7735	CB-1622P	6
		7E0558	CB-1622P-25	
7E0559		CB-1622P-50		
Main Bearings	1.645" Bearing Length	2170390	MB-2848AL	7
		Exclusive	MB-2848AL-10	
		4W5698	MB-2848AL-25	
		4W5699	MB-2848AL-50	
Thrust Washer Set	Set Includes OE# 2531752(2)	7E9262	TW-583S	1
Thrust Washer (Individual)		2531752	MB-3448W	2
Camshaft Bearing	Supersedes To SH-2186	See Note	SH-1487	6
	Supersedes To SH-2187	See Note	SH-1488	1
	Position Number 2-3-4-5-6-7	3790191 4N0685	SH-2186•	6
	Position Number 1	3731885 4N6658	SH-2187•	1
Piston Pin Bushing	Supersedes To 223-3709	See Note	223-3577	6
	9 Degree, Wide Tapered Connecting Rod Requires Boring	4P8495	223-3586	6
	Wide Taper, Big Pin 2.16"	6I2726	223-3703•	6
	Straight Side Bushing	8N0705	223-3705•	6
	6 Degree Narrow Taper	8N0706	223-3709•	6
Valve Train & Ancillary				
Valve (Intake)	Stellite Face, 7.1377" Length, 1.771" Head Diameter	1152368	211-2493	12
Valve (Exhaust)	Stellite Face, 7.139" Length, 1.646" Head Diameter	1152367	211-2494	12
	3400 C Series Only, Stellite Face, 1.646" Head Diameter, With Hydraulic Electronic Injection, Non-Dowel Valve Bridge	1220321	211-4281	12
Valve Guide (Intake & Exhaust)	.3750" ID, .6890" OD, 3.250" Length, High Strength Alloy	1737188	217-3259	24

PART	NOTES	OE INTERCHANGE NUMBER	PART NUMBER	PER ENGINE QTY
51 (cont.)	5.4000" 893 CID (14.6L) 6 Cyl / 24 Valves 3406 Series			51 (cont.)

Valve Train & Ancillary (cont.)

Valve Seat Insert (Intake)	1.562" ID, 1.812" OD, .3650" Depth	4N5893	218-7806	12
Valve Seat Insert (Exhaust)	1.4375" ID, 1.687" OD, .3650" Depth	1W5283	218-7805	12

Filters

Spin-on oil filter		1R0716 2P4005	OC 484	1
Spin-on fuel filter	Water Separator	1335673	KC 430D	1

Turbochargers

Turbocharger		see at page 485	127 TC 15120 000	1
		see at page 485	127 TC 21003 000	1
		see at page 485	127 TC 24094 000	1
		see at page 485	127 TC 24100 000	1
	For 3406C And 3406E Engine	see at page 485	127 TC 24111 000	1
		see at page 485	127 TC 24112 000	1
		see at page 485	127 TC 24113 000	1
		see at page 485	127 TC 24114 000	1
		see at page 485	127 TC 24116 000	1
		see at page 486	127 TC 24162 000	1
	see at page 486	127 TC 24163 000	1	

Crankshaft

Crankshaft	Without Gear, 12 Bolt Nose, Narrow Journal	7C4859	247-5026	1
	With Gear, OE# 7N7571, 12 Bolt Nose, Narrow Journal	7C4859	247-5219	1

52	5.4000" 893 CID (14.6L) 6 Cyl / 24 Valves Engine Code: '1693'			52
-----------	---	--	--	-----------

Cylinder Components

Cylinder Block Repair Bushing	Upper Repair Block Bushing, For Use On Non-Blated Blocks- S/N 65B11052-Up	5P4173	223-8146•	6
Piston	Keystone Compression Rings, Dual Ni-Resist Inserts, Bolt In Heat Plug, Precombustion	9N2874	224-3275	6
Piston (Bare)	Keystone Compression Rings, Dual Ni-Resist Inserts, Bolt In Heat Plug, Precombustion	9N2874	224-3275X	6
Ring Set	Top OE# 8N0502, Intermediate OE# 2P2817, Oil OE# 7N7078, Keystone Compression Rings	8N0822	S41159	6
Piston Pin	1.999" Diameter, 4.525" Length	7N9806	223-1833	6
Lock Ring	2 Per Package	7E5665	223-5507	6
Sleeve O-Ring Kit	Contains OE# 3S3978(3), 9L5854	5P8789	223-7146	6

Bearings

Connecting Rod Bearing		7W2136	CB-694AL	6
		8N5339	CB-694AL-25	

Valve Train & Ancillary

Valve Guide	.3750" ID, .6892" OD, 2.815" Length, For Rotators	4N3668	217-4063	24
Valve Seat Insert	1.4375" ID, 1.687" OD, .3650" Depth	1W5283	218-7805	12
	1.562" ID, 1.812" OD, .3650" Depth	4N5893	218-7806	12

PART	NOTES	OE INTERCHANGE NUMBER	PART NUMBER	PER ENGINE QTY
52 (cont.)	5.4000" 893 CID (14.6L) 6 Cyl / 24 Valves Engine Code: '1693'			52 (cont.)

Filters

Spin-on fuel filter		1P2299 1R0711	KC 28	1
----------------------------	--	------------------	--------------	---

53	5.4000" 893 CID (14.6L) 6 Cyl / 24 Valves; Turbocharged Engine Code: '3406E'			53
-----------	--	--	--	-----------

Cylinder Components

Cylinder Sleeve Assembly	16:6:1 CR, Contains OE# Crown 1807352, OE Piston Pack# 0R8915, 10R8616	see at page 147	226-1969	6
	16.25:1 CR, 335-410 HP, Contains OE# Crown 1352837, OE Piston Pack# 0R8333, 10R9554	see at page 148	226-1970	6
	16.25:1 CR, Contains OE# Crown 1495566, OE Piston Pack# 0R8913	see at page 148	226-1971	6
	15.9:1 CR, Industrial, Contains OE# Crown 2212305, OE Piston Pack# 0R8017	see at page 148	226-1972	6
	16.25:1 CR, 435-475 HP, Contains OE# Crown 7C2888, OE Piston Pack# 0R4487, 0R8333	see at page 148	226-1973	6
	Crownless Kit Includes Rings, Skirt, Pin, Locks, Liner and O Rings, Contains Piston Skirt 224-3347X (OE#1326663), Ring Set S41927 Contains Top OE# 1777496, Intermediate OE# 1765749, Oil OE# 1899771	see at page 148	226-1994	6
	Crownless Kit Includes Rings, Skirt, Pin, Locks, Liner and O Rings, Contains Piston Skirt 224-3346X (OE# 1300241), Contains Ring Set S41890 (OE# 1W8922 Ring Set Includes Gray Armor Top Ring)	see at page 148	226-1995	6
Cylinder Sleeve		1979322	226-4506	6
Cylinder Sleeve (Bare)	Use With Part Number 223-7195	1979322	226-4506X	6
Piston	16.6:1 CR, Contains OE# 1807352 Crown, 1326663 Skirt, 1687246 Pin, 7E1177 Locks, Contained Within 226-1969	See Note	224-3397	6
	16.25:1 CR, 335-410 HP, Contains OE# 1352837 Crown, 1300241 Skirt, 1687246 Pin, 7E1177 Locks, Contained Within 226-1970	See Note	224-3398	6
	16.25:1 CR, Contains OE# 1495566 Crown, 1300241 Skirt, 1687246 Pin, 7E1177 Locks, Contained Within 226-1971	See Note	224-3399	6
	16.25:1 CR, 435-475 HP, Contains OE# 7C2888 Crown, 1300241 Skirt, 1687246 Pin, 7E1177 Locks, Contained Within 226-1973	See Note	224-3400	6
	15.9:1 CR, Industrial, Contains OE# Crown 2212305, 1326663 Skirt, 1687246 Pin, 7E1177 Locks, Contained Within 226-1972	See Note	224-3587	6
Piston Crown	16:6:1 CR, Contained Within 226-1969	1807352	224-3374X	6
	16.25:1 CR, 335-410 HP, Contained Within 226-1970	1352837	224-3375X	6
	16.25:1 CR, Contained Within 226-1971	1495566	224-3376X	6
	15.9:1 CR, Industrial, Contained Within 226-1972	221-2305	224-3377X	6
	16.25:1 CR, 435-475 HP, Contained Within 226-1973	7C2888	224-3378X	6
Piston Skirt		1300241	224-3346X	6
		1326663	224-3347X	6
Ring Set	Covers 1W8922, Top OE# 1343761, Intermediate OE# 2P2817, Oil OE# 7N7078	See Note	S41890	6
	Top OE# 1777496, Intermediate OE# 1765749, Oil OE# 1899771	See Note	S41927	6
	Top OE# 1347496, Intermediate OE# 1765749, Oil OE# 1899771	See Note	S41943	6
Piston Pin	1.574" Diameter, 3.346" Length	1687246	223-1846	6

PART	NOTES	OE INTERCHANGE NUMBER	PART NUMBER	PER ENGINE QTY
53 (cont.)	5.4000" 893 CID (14.6L) 6 Cyl / 24 Valves; Turbocharged Engine Code: '3406E'			53 (cont.)
Cylinder Components (cont.)				
Lock Ring	2 Per Package	7E1177	223-5511	6
Sleeve O-Ring Kit	Contains OE# 9L5854, 1102220, 1427072, 1426217	1609874	223-7195	6
Engine Gaskets				
Engine Cylinder Head Gasket Set	For Engines With a Single Valve Cover	2161252	HS54214-1	1
	For Engines With 3 Individual Valve Covers	2486740	HS54214-2	1
Engine Conversion Gasket Set		1294498	CS54154-16	1
		1248899	CS54214-1	1
		1535527	CS54214-11	1
	Supersedes To CS54214-3	1309035	CS54214-2	1
		1429672	CS54214-3	1
		1803446	CS54214-4	1
		2144150	CS54214-5	1
	Supersedes To CS54214-1	1159462	CS54214-6	1
		1190957	CS54214-7	1
		1248898	CS54214-8	1
	1209328	CS54214-9	1	
In-frame Overhaul Set	For Engines With a Single Valve Cover, Contains OE# 2161252 Head Set And 4N1151(2) Pan Gasket	See Note	EK3535VR	1
	For Engines with 3 Individual Valve Covers, Contains Head Set and Oil Pan Set, Contains OE# Head Set 2486740 And Pan Gasket 4N1151(2)	See Note	EK3536	1
Engine Cylinder Head Gasket		1539653	54214	1
	Can Be Used On 3406E When Head Has Been Upgraded To C15 Design	2245122	54643	1
Engine Valve Cover Gasket Set	For Engines With 3 Individual Valve Covers, Includes OE# Valve Cover Gasket 242-9537 And Valve Cover Grommets 149-7378(6)	See Note	VS50445	3
	Injector Removal and Replacement Gasket Kit, Includes OE# 242-9537(3) Valve Cover Gasket, 5P5678 Rocker Cover Seal (3 Meters), 149-7378(18) Valve Cover Grommets, 9X7417(6), 9X7418(6), 9X7419(6) Injector O Rings	See Note	VS50464	1
Engine Valve Cover Gasket	Rocker Gasket, Seal Stock, 3 Meters Long, 4.19 MM X 9.52 MM	5P5678	VS50518	1
Engine Valve Stem Seal Set		1632478	B45978	24
Exhaust Manifold Gasket Set	Contains 6 Pieces	1384611	MS19417	1
Engine Oil Pan Gasket Set	1 Pan Gasket Only, Puzzle Gasket, Paper, For Both Inline and V Series	4N1151	OS32183	1
	2 Pan Gaskets, Puzzle Gasket, Contains OE# 4N1151(2), 1090078, 5P5846	4N1151	OS32500A	1
Engine Timing Cover Gasket Set		2341874	JV5049•	1

PART	NOTES	OE INTERCHANGE NUMBER	PART NUMBER	PER ENGINE QTY
53 (cont.)	5.4000" 893 CID (14.6L) 6 Cyl / 24 Valves; Turbocharged Engine Code: '3406E'			53 (cont.)
Engine Gaskets (cont.)				
Engine Timing Cover Gasket Set (cont.)		2341866	JV5089	1
		2336984	JV5093	1
Engine Timing Cover Seal	Includes Repair Sleeve	1425867	67741	1
Rear Main Seal Set		2322922 8C5799	JV1674	1
		2323679	JV1698	1
Rear Main Seal	Includes Repair Sleeve	1425868	67656	1
Miscellaneous Gaskets				
Engine Coolant Thermostat Seal	Packaged in Quantities of 20	3S9643	GS27706	20
Fuel Injection Nozzle O-Ring	Injector Sleeve O-Rings, For OD Of Injector Cup, Contains OE# 1662903, 1662904, 9X7430	See Note	GS33507	1
	Contains OE# 9X7317, 9X7319, 9X7318	2481394	GS33521	1
Bearings				
Connecting Rod Bearing	Locking Lug On Left Hand Side	9Y9497	CB-1262AL	6
		Exclusive	CB-1262AL-10	
		4W5702	CB-1262AL-25	
		4W5703	CB-1262AL-50	
	1.930" Length	9Y7735	CB-1622P	6
		7E0558	CB-1622P-25	
7E0559		CB-1622P-50		
Main Bearings	1.645" Bearing Length	2170390	MB-2848AL	7
		Exclusive	MB-2848AL-10	
		4W5698	MB-2848AL-25	
		4W5699	MB-2848AL-50	
Thrust Washer Set	Set Includes OE# 2531752(2)	7E9262	TW-583S	1
Thrust Washer (Individual)		2531752	MB-3448W	2
Camshaft Bearing		2165582	SH-1979	7
Piston Pin Bushing	Wide Taper, Big Pin 2.16"	6I2726	223-3703•	6
	Late With 4 Bolt Connecting Rod	2296259	223-3704•	6
Valve Train & Ancillary				
Valve Guide	.3745" ID, .6298" OD, 3.358" Length	1227375	217-4110	24
Valve Seat Insert (Exhaust)	1.4375" ID, 1.687" OD, .3650" Depth	1W5283	218-7805	12
Filters				
Spin-on fuel filter	Water Separator	1335673	KC 430D	1
Turbochargers				
Turbocharger	For 3406C And 3406E Engine	see at page 485	127 TC 24111 000	1
		see at page 485	127 TC 24112 000	1
		see at page 485	127 TC 24113 000	1
		see at page 485	127 TC 24114 000	1
		see at page 485	127 TC 24116 000	1

PART	NOTES	OE INTERCHANGE NUMBER	PART NUMBER	PER ENGINE QTY
53 (cont.)	5.4000" 893 CID (14.6L) 6 Cyl / 24 Valves; Turbocharged Engine Code: '3406E'			53 (cont.)

Crankshaft

Crankshaft	Without Gear	6I1453	247-5146	1
-------------------	--------------	--------	-----------------	---

54	5.4000" 1191 CID (19.5L) 8 Cyl / 32 Valves Engine Code: 'D346'			54
-----------	--	--	--	-----------

Cylinder Components

Piston (Bare)	Keystone Compression Rings, Dual Ni-Resist Inserts, Bolt In Heat Plug, Use With Part Number 223-5507	8N0931	224-3235X	8
Ring Set	Top OE# 8N0502, Intermediate OE# 2P2817, Oil OE# 7N7078, Keystone Compression Rings	8N0822	S41159	8
Lock Ring	2 Per Package	7E5665	223-5507	8
Sleeve O-Ring Kit	Contains OE# 3S3978(3), 9L5854	5P8789	223-7146	8

Bearings

Connecting Rod Bearing	Slot For Dowel Pin In Rod Bore	1W8539	CB-1232AL	8
-------------------------------	--------------------------------	--------	------------------	---

Valve Train & Ancillary

Valve Guide	.3750" ID, .6892" OD, 2.815" Length, For Rotators	4N3668	217-4063	32
Valve Seat Insert (Intake)	1.562" ID, 1.812" OD, .3650" Depth	4N5893	218-7806	16
Valve Seat Insert (Exhaust)	1.4375" ID, 1.687" OD, .3650" Depth	1W5283	218-7805	16

55	5.4000" 1099 CID (18.0L) 8 Cyl / 32 Valves; Sleeved Engine Engine Code: '3408'			55
-----------	--	--	--	-----------

Cylinder Components

Cylinder Sleeve Assembly	15.6:1 CR, Up to 310 HP, Contains OE# Piston 9Y7212, B, ATAAC, Keystone Compression Rings, Dual Ni-Resist Inserts, Direct Injection, 9 Degree Wide Tapered Rod, OE Piston Pack# 0R2862 (Inline), 0R1572 (V Series), Standard Clearance Liner	see at page 147	226-1733	8
	Contains OE# Piston 1723280, Keystone Compression Rings	see at page 148	226-2042	8
Cylinder Sleeve		1979322	226-4506	8
Cylinder Sleeve (Bare)	Use With Part Number 223-7195	1979322	226-4506X	8
	Bainitic Material	1979322	226-4617X	8
Piston	15.6:1 CR, ATAAC, Up To 310 HP, Keystone Compression Rings, Dual Ni-Resist Inserts, No Heat Plug, Direct Injection, 9 Degree Wide Tapered Rod	9Y7212	224-3245	8
Piston (Bare)	15.6:1 CR, Up To 310 HP, B, ATAAC, Keystone Compression Rings, Dual Ni-Resist Inserts, No Heat Plug, Direct Injection, 9 Degree Wide Tapered Rod, Contained Within 226-1733, Use With Part Number 223-1830 And 223-5507	9Y7212	224-3245X	8
		1723280	224-3764X	8
Ring Set	Top OE# 8N0502, Intermediate OE# 2P2817, Oil OE# 7N7078, Keystone Compression Rings	8N0822	S41159	8
	Covers 1W8922, Top OE# 1343761, Intermediate OE# 2P2817, Oil OE# 7N7078	See Note	S41890	8
Piston Pin	2.000" Diameter, 4.405" Length	8N1608	223-1830	8
	1.999" Diameter, 4.525" Length	7N9806	223-1833	8
	1.999" Diameter, 3.996" Length	7N9807	223-1839	8

PART	NOTES	OE INTERCHANGE NUMBER	PART NUMBER	PER ENGINE QTY
55 (cont.)	5.4000" 1099 CID (18.0L) 8 Cyl / 32 Valves; Sleeved Engine Engine Code: '3408'			55 (cont.)

Cylinder Components (cont.)

Lock Ring	2 Per Package	7E5665	223-5507	8
Sleeve O-Ring Kit	Contains OE# 9L5854, 1102220, 1427072, 1426217	1609874	223-7195	8

Bearings

Connecting Rod Bearing	Locking Lug On Left Hand Side	9Y9497	CB-1262AL	8
		Exclusive	CB-1262AL-10	
		4W5702	CB-1262AL-25	
		4W5703	CB-1262AL-50	
Main Bearings	1.645" Bearing Length	2170390	MB-2848AL	5
		Exclusive	MB-2848AL-10	
		4W5698	MB-2848AL-25	
		4W5699	MB-2848AL-50	
Thrust Washer Set	Set Includes OE# 2531752(2)	7E9262	TW-583S	1
Thrust Washer (Individual)		2531752	MB-3448W	2
Camshaft Bearing	Supersedes To SH-2186	See Note	SH-1487	3
	Supersedes To SH-2187	See Note	SH-1488	2
	Position Number 2,3,4	3790191 4N0685	SH-2186•	3
	Position Number 1 And 5	3731885 4N6658	SH-2187•	2
Piston Pin Bushing	9 Degree, Wide Tapered Connecting Rod Requires Boring	4P8495	223-3586	8

Valve Train & Ancillary

Valve (Intake)	Stellite Face, 7.1377" Length, 1.771" Head Diameter	1152368	211-2493	16
Valve (Exhaust)	Stellite Face, 7.139" Length, 1.646" Head Diameter	1152367	211-2494	16
Valve Guide (Intake & Exhaust)	.3750" ID, .6890" OD, 3.250" Length, High Strength Alloy	1737188	217-3259	32
Valve Seat Insert (Intake)	1.562" ID, 1.812" OD, .3650" Depth	4N5893	218-7806	16
Valve Seat Insert (Exhaust)	1.4375" ID, 1.687" OD, .3650" Depth	1W5283	218-7805	16

Filters

Spin-on oil filter		1R0716 2P4005	OC 484	1
Spin-on fuel filter	Water Separator	1335673	KC 430D	1

Crankshaft

Crankshaft	3408B Only, With Gear	1W5009	247-5147	1
-------------------	-----------------------	--------	-----------------	---

56	5.4000" 1786 CID (29.3L) 12 Cyl / 48 Valves Engine Code: 'D348'			56
-----------	---	--	--	-----------

Cylinder Components

Piston (Bare)	Keystone Compression Rings, Dual Ni-Resist Inserts, Bolt In Heat Plug, Use With Part Number 223-5507	8N0931	224-3235X	12
Ring Set	Top OE# 8N0502, Intermediate OE# 2P2817, Oil OE# 7N7078, Keystone Compression Rings	8N0822	S41159	12
Lock Ring	2 Per Package	7E5665	223-5507	12
Sleeve O-Ring Kit	Contains OE# 3S3978(3), 9L5854	5P8789	223-7146	12

PART	NOTES	OE INTERCHANGE NUMBER	PART NUMBER	PER ENGINE QTY
56 (cont.)	5.4000" 1786 CID (29.3L) 12 Cyl / 48 Valves Engine Code: 'D348'			56 (cont.)

Bearings

Connecting Rod Bearing	Slot For Dowel Pin In Rod Bore	1W8539	CB-1232AL	12
-------------------------------	--------------------------------	--------	------------------	----

Valve Train & Ancillary

Valve Guide	.3750" ID, .6892" OD, 2.815" Length, For Rotators	4N3668	217-4063	48
Valve Seat Insert (Intake)	1.562" ID, 1.812" OD, .3650" Depth	4N5893	218-7806	24
Valve Seat Insert (Exhaust)	1.4375" ID, 1.687" OD, .3650" Depth	1W5283	218-7805	24

57	5.4000" 1649 CID (27.0L) 12 Cyl / 48 Valves Engine Code: 'G3412'			57
-----------	--	--	--	-----------

Cylinder Components

Cylinder Sleeve Assembly	10.0:1 CR, Contains OE# Piston 7E3888, 2.000" Diameter Pin, Rectangular Compression Rings, Spark Ignited, Dual Ni-Resist Inserts	see at page 148	226-2020	12
Cylinder Sleeve		1979322	226-4506	12
Cylinder Sleeve (Bare)	Use With Part Number 223-7195	1979322	226-4506X	12
Piston	10.0:1 CR, 2.000" Diameter Pin, Rectangular Compression Rings, Spark Ignited, Dual Ni-Resist Inserts	7E3888	224-3588	12
Piston (Bare)	10.0:1 CR, 2.000" Diameter Pin, Rectangular Compression Rings, Spark Ignited, Dual Ni-Resist Inserts, Contained Within 226-2020, Use With Part Number 223-1830 And 223-5507	7E3888	224-3588X	12
Ring Set	Top OE# 9S2263, Intermediate OE# 7C8939, Oil OE# 7W6952	See Note	S41908	12
Piston Pin	2.000" Diameter, 4.405" Length	8N1608	223-1830	12
Lock Ring	2 Per Package	7E5665	223-5507	12
Sleeve O-Ring Kit	Contains OE# 9L5854, 1102220, 1427072, 1426217	1609874	223-7195	12

Engine Gaskets

Engine Valve Cover Gasket	Rocker Gasket, Seal Stock, 3 Meters Long, 4.19 MM X 9.52 MM	5P5678	VS50518	2
Exhaust Manifold Gasket Set	Contains 6 Pieces	1299452 7N8175	MS19416	2
Engine Oil Pan Gasket Set	1 Pan Gasket Only, Puzzle Gasket, Paper, For Both Inline and V Series	4N1151	OS32183	1
Engine Timing Cover Seal	Includes Repair Sleeve	1425867	67741	1
Rear Main Seal	Includes Repair Sleeve	1425868	67656	1

Miscellaneous Gaskets

Engine Coolant Thermostat Seal	Packaged in Quantities of 20	3S9643	GS27706	20
---------------------------------------	------------------------------	--------	----------------	----

Bearings

Connecting Rod Bearing	Locking Lug On Left Hand Side	9Y9497	CB-1262AL	12
		Exclusive	CB-1262AL-10	
		4W5702	CB-1262AL-25	
		4W5703	CB-1262AL-50	

PART	NOTES	OE INTERCHANGE NUMBER	PART NUMBER	PER ENGINE QTY
57 (cont.)	5.4000" 1649 CID (27.0L) 12 Cyl / 48 Valves Engine Code: 'G3412'			57 (cont.)

Bearings (cont.)

Main Bearings	1.645" Bearing Length	2170390	MB-2848AL	7
		Exclusive	MB-2848AL-10	
		4W5698	MB-2848AL-25	
		4W5699	MB-2848AL-50	
Thrust Washer Set	Set Includes OE# 2531752(2)	7E9262	TW-583S	1
Thrust Washer (Individual)		2531752	MB-3448W	2
Camshaft Bearing	Supersedes To SH-2186	See Note	SH-1487	5
	Supersedes To SH-2187	See Note	SH-1488	2
	Position Number 2-3-4-5-6	3790191 4N0685	SH-2186•	5
	Position Number 1 And 7	3731885 4N6658	SH-2187•	2

Filters

Spin-on oil filter		1R0716 2P4005	OC 484	1
---------------------------	--	------------------	---------------	---

Crankshaft

Crankshaft	Straight Tooth Gear	2619648	247-5150	1
	Heliod Tooth Gear, Older Version	1W6213	247-5151	1

58	5.4000" 1649 CID (27.0L) 12 Cyl / 48 Valves Engine Code: '3412'			58
-----------	---	--	--	-----------

Cylinder Components

Cylinder Sleeve Assembly	15.6:1 CR, Up to 310 HP, Contains OE# Piston 9Y7212, B, ATAAC, Keystone Compression Rings, Dual Ni-Resist Inserts, Direct Injection, 9 Degree Wide Tapered Rod, OE Piston Pack# 0R2862 (Inline), 0R1572 (V Series), Standard Clearance Liner	see at page 147	226-1733	12
	Crownless Kit Includes Rings, Skirt, Pin, Locks, Liner and O Rings, Contains Piston Skirt 224-3347X (OE#1326663), Ring Set S41927 Contains Top OE# 1777496, Intermediate OE# 1765749, Oil OE# 1899771	see at page 148	226-1994	12
	Crownless Kit Includes Rings, Skirt, Pin, Locks, Liner and O Rings, Contains Piston Skirt 224-3346X (OE# 1300241), Contains Ring Set S41890 (OE# 1W8922 Ring Set Includes Gray Armor Top Ring)	see at page 148	226-1995	12
	Contains OE# Piston 1723280, Keystone Compression Rings	see at page 148	226-2042	12
Cylinder Sleeve		1979322	226-4506	12
Cylinder Sleeve (Bare)	Use With Part Number 223-7195	1979322	226-4506X	12
	Bainitic Material	1979322	226-4617X	12
Piston	15.6:1 CR, ATAAC, Up To 310 HP, Keystone Compression Rings, Dual Ni-Resist Inserts, No Heat Plug, Direct Injection, 9 Degree Wide Tapered Rod	9Y7212	224-3245	12
Piston (Bare)	15.6:1 CR, Up To 310 HP, B, ATAAC, Keystone Compression Rings, Dual Ni-Resist Inserts, No Heat Plug, Direct Injection, 9 Degree Wide Tapered Rod, Contained Within 226-1733, Use With Part Number 223-1830 And 223-5507	9Y7212	224-3245X	12
		1723280	224-3764X	12
Ring Set	Top OE# 8N0502, Intermediate OE# 2P2817, Oil OE# 7N7078, Keystone Compression Rings	8N0822	S41159	12

PART	NOTES	OE INTERCHANGE NUMBER	PART NUMBER	PER ENGINE QTY
58 (cont.)	5.4000" 1649 CID (27.0L) 12 Cyl / 48 Valves Engine Code: '3412'			58 (cont.)
Cylinder Components (cont.)				
Ring Set (cont.)	Covers 1W8922, Top OE# 1343761, Intermediate OE# 2P2817, Oil OE# 7N7078	See Note	S41890	12
Piston Pin	2.000" Diameter, 4.405" Length	8N1608	223-1830	12
	1.999" Diameter, 4.525" Length	7N9806	223-1833	12
	1.999" Diameter, 3.996" Length	7N9807	223-1839	12
Lock Ring	2 Per Package	7E5665	223-5507	12
Sleeve O-Ring Kit	Contains OE# 9L5854, 1102220, 1427072, 1426217	1609874	223-7195	12
Miscellaneous Gaskets				
Engine Coolant Thermostat Seal	Packaged in Quantities of 20	3S9643	GS27706	20
Bearings				
Connecting Rod Bearing	Locking Lug On Left Hand Side	9Y9497	CB-1262AL	12
		Exclusive	CB-1262AL-10	
		4W5702	CB-1262AL-25	
		4W5703	CB-1262AL-50	
Main Bearings	1.645" Bearing Length	2170390	MB-2848AL	7
		Exclusive	MB-2848AL-10	
		4W5698	MB-2848AL-25	
		4W5699	MB-2848AL-50	
Thrust Washer Set	Set Includes OE# 2531752(2)	7E9262	TW-583S	1
Thrust Washer (Individual)		2531752	MB-3448W	2
Camshaft Bearing	Supersedes To SH-2186	See Note	SH-1487	5
	Supersedes To SH-2187	See Note	SH-1488	2
	Position Number 2-3-4-5-6	3790191 4N0685	SH-2186•	5
	Position Number 1 And 7	3731885 4N6658	SH-2187•	2
Piston Pin Bushing	9 Degree, Wide Tapered Connecting Rod Requires Boring	4P8495	223-3586	12
	Straight Side Bushing	8N0705	223-3705•	12
Valve Train & Ancillary				
Valve (Intake)	Stellite Face, 7.1377" Length, 1.771" Head Diameter	1152368	211-2493	24
Valve (Exhaust)	Stellite Face, 7.139" Length, 1.646" Head Diameter	1152367	211-2494	24
Valve Guide	.3745" ID, .6298" OD, 3.358" Length	1227375	217-4110	48
Valve Guide (Intake & Exhaust)	.3750" ID, .6890" OD, 3.250" Length, High Strength Alloy	1737188	217-3259	48
Valve Seat Insert (Intake)	1.562" ID, 1.812" OD, .3650" Depth	4N5893	218-7806	24
Valve Seat Insert (Exhaust)	1.4375" ID, 1.687" OD, .3650" Depth	1W5283	218-7805	24
Filters				
Spin-on oil filter		1R0716 2P4005	OC 484	1
Spin-on fuel filter	Water Separator	1335673	KC 430D	1
Crankshaft				
Crankshaft	Straight Tooth Gear	2619648	247-5150	1
	Heliod Tooth Gear, Older Version	1W6213	247-5151	1

PART	NOTES	OE INTERCHANGE NUMBER	PART NUMBER	PER ENGINE QTY
59	5.4000" 2382 CID (39.1L) 16 Cyl / 64 Valves Engine Code: 'D349'			59
Cylinder Components				
Piston (Bare)	Keystone Compression Rings, Dual Ni-Resist Inserts, Bolt In Heat Plug, Use With Part Number 223-5507	8N0931	224-3235X	16
Ring Set	Top OE# 8N0502, Intermediate OE# 2P2817, Oil OE# 7N7078, Keystone Compression Rings	8N0822	S41159	16
Lock Ring	2 Per Package	7E5665	223-5507	16
Sleeve O-Ring Kit	Contains OE# 3S3978(3), 9L5854	5P8789	223-7146	16
Bearings				
Connecting Rod Bearing	Slot For Dowel Pin In Rod Bore	1W8539	CB-1232AL	16
Valve Train & Ancillary				
Valve Guide	.3750" ID, .6892" OD, 2.815" Length, For Rotators	4N3668	217-4063	64
Valve Seat Insert (Intake)	1.562" ID, 1.812" OD, .3650" Depth	4N5893	218-7806	32
Valve Seat Insert (Exhaust)	1.4375" ID, 1.687" OD, .3650" Depth	1W5283	218-7805	32
60	5.5000" 996 CID (15.8L) 6 Cyl / 24 Valves; Turbocharged-Aftercooled Engine Code: '3456'			60
Cylinder Components				
Lock Ring	2 Per Package	7E1177	223-5511	6
Engine Gaskets				
Engine Valve Stem Seal Set		1632478	B45978	24
Exhaust Manifold Gasket Set	Contains 6 Pieces	1384611	MS19417	1
Engine Oil Pan Gasket Set	1 Pan Gasket Only, Puzzle Gasket, Paper, For Both Inline and V Series	4N1151	OS32183	1
Bearings				
Connecting Rod Bearing	1.930" Length	9Y7735	CB-1622P	6
		7E0558	CB-1622P-25	
		7E0559	CB-1622P-50	
Main Bearings	1.645" Bearing Length	2170390	MB-2848AL	7
		Exclusive	MB-2848AL-10	
		4W5698	MB-2848AL-25	
		4W5699	MB-2848AL-50	
Thrust Washer Set	Set Includes OE# 2531752(2)	7E9262	TW-583S	1
Thrust Washer (Individual)		2531752	MB-3448W	2
Camshaft Bearing		2165582	SH-1979	7
Filters				
Spin-on oil filter		1R0716 2P4005	OC 484	1
Spin-on fuel filter	Water Separator	1335673	KC 430D	1
Turbochargers				
Turbocharger		see at page 485	127 TC 24113 000	1

PART	NOTES	OE INTERCHANGE NUMBER	PART NUMBER	PER ENGINE QTY
61	5.5120" 964 CID (15.8L) 6 Cyl / 24 Valves; Turbocharged Engine Code: 'C16'			61

Engine Gaskets

Engine Valve Stem Seal Set		1632478	B45978	24
Exhaust Manifold Gasket Set	Contains 6 Pieces	1384611	MS19417	1
Engine Oil Pan Gasket Set	Contains OE# 1685248 Isolation Seal Oil Pan Gasket And OE #2401614(24) Oil Pan Grommets	See Note	OS32300	1

Miscellaneous Gaskets

Fuel Injection Nozzle O-Ring	Injector Sleeve O-Rings, For OD Of Injector Cup, Contains OE# 1662903, 1662904, 9X7430	See Note	GS33507	6
-------------------------------------	--	----------	----------------	---

Bearings

Connecting Rod Bearing	1.930" Length	9Y7735	CB-1622P	6
		7E0558	CB-1622P-25	
		7E0559	CB-1622P-50	
	4 Bolt Connecting Rod	2243246	CB-1933P•	6
2323235		CB-1933P-25		
Main Bearings	1.645" Bearing Length	2170390	MB-2848AL	7
		Exclusive	MB-2848AL-10	
		4W5698	MB-2848AL-25	
		4W5699	MB-2848AL-50	
Thrust Washer Set	Set Includes OE# 2531752(2)	7E9262	TW-583S	1
Thrust Washer (Individual)		2531752	MB-3448W	2
Camshaft Bearing		2165582	SH-1979	7

Valve Train & Ancillary

Valve (Intake)	1.850" Head Diameter, Inconel, 2 Groove	1537023	211-4166	12
Valve (Exhaust)	1.646" Head Diameter, Inconel, 2 Groove	1537024	211-4167	12

Turbochargers

Turbocharger		see at page 485	127 TC 24113 000	1
---------------------	--	-----------------	-------------------------	---

62	5.7090" 1106 CID (18.1L) 6 Cyl Engine Code: 'C18'			62
-----------	---	--	--	-----------

Bearings

Connecting Rod Bearing	4 Bolt Connecting Rod	2243246	CB-1933P•	6
		2323235	CB-1933P-25	
Piston Pin Bushing	Late With 4 Bolt Connecting Rod	2296259	223-3704•	6

Filters

Spin-on oil filter		1R0716 2P4005	OC 484	1
---------------------------	--	------------------	---------------	---

63	5.7500" 831 CID (13.6L) 4 Cyl Engine Codes: 'D6600, D7700, D8800, D8841'			63
-----------	--	--	--	-----------

Bearings

Connecting Rod Bearing	2.000" Length	8N7933	CB-964AL	4
		8N7934	CB-964AL-25	
		8N7935	CB-964AL-50	

PART	NOTES	OE INTERCHANGE NUMBER	PART NUMBER	PER ENGINE QTY
64	5.7500" 831 CID (13.6L) 4 Cyl / 8 Valves D 339 Series			64

Cylinder Components

Cylinder Sleeve Assembly	Contains OE# Piston 4M9111, Rectangular Compression Rings, Bolt In Heat Plug, Can Upgrade To 226-1721 (Keystone Compression Rings-0R3756) In Sets	see at page 149	226-1697	4
Cylinder Sleeve		8N5676	226-4465	4
Cylinder Sleeve (Bare)	Use With Part Number 223-7115	8N5676	226-4465X	4
Piston	Rectangular Compression Rings, Bolt In Heat Plug	4M9111	224-3189	4
Piston (Bare)	Rectangular Compression Rings, Bolt In Heat Plug, Contained Within 226-1697, Can Upgrade To 224-3185X In Sets, Use With Part Number 223-1831 And 223-5501	4M9111	224-3189X	4
Ring Set	Top OE# 5M4281, Intermediate OE# 5M9053, Oil OE# 5M5697, Rectangular Top Ring	3S4031	S41822	4
Piston Pin	2.390" Diameter, 4.726" Length	7N9809	223-1831	4
Lock Ring	Supersedes To 223-5505	See Note	223-5501	4
	2 Per Package	7M4926	223-5505	4
Sleeve O-Ring Kit	Contains OE# 8N4638, 6L7812(3)	5P9221	223-7115	4

Bearings

Connecting Rod Bearing	2.000" Length	8N7933	CB-964AL	4
		8N7934	CB-964AL-25	
		8N7935	CB-964AL-50	

Valve Train & Ancillary

Valve (Intake)	2.343" Head Diameter, Stellite Face, Tapered Groove, With .4955" Stem Diameter	8H1993	211-2351	4
Valve (Exhaust)	2.282" Head Diameter, Stellite Face, Tapered Groove, With .4955" Stem Diameter	8H1994	211-2352	4

65	5.7500" 1246 CID (20.4L) 6 Cyl / 12 Valves Engine Code: 'G342'			65
-----------	--	--	--	-----------

Cylinder Components

Cylinder Sleeve		8N5676	226-4465	6
Cylinder Sleeve (Bare)	Use With Part Number 223-7115	8N5676	226-4465X	6
Piston Pin	2.390" Diameter, 4.726" Length	7N9809	223-1831	6
Lock Ring	Supersedes To 223-5505	See Note	223-5501	6
	2 Per Package	7M4926	223-5505	6
Sleeve O-Ring Kit	Contains OE# 8N4638, 6L7812(3)	5P9221	223-7115	6

Bearings

Connecting Rod Bearing	2.000" Length	8N7933	CB-964AL	6
		8N7934	CB-964AL-25	
		8N7935	CB-964AL-50	

Valve Train & Ancillary

Valve (Intake)	2.343" Head Diameter, Stellite Face, Tapered Groove, With .4955" Stem Diameter	8H1993	211-2351	6
Valve (Exhaust)	2.282" Head Diameter, Stellite Face, Tapered Groove, With .4955" Stem Diameter	8H1994	211-2352	6
Valve Spring	Outer	9M5350	212-1387	24

PART	NOTES	OE INTERCHANGE NUMBER	PART NUMBER	PER ENGINE QTY
66	5.7500" 1246 CID (20.4L) 6 Cyl / 12 Valves D 342 Series			66

Cylinder Components

Cylinder Sleeve Assembly	Contains OE# Piston 4M9111, Rectangular Compression Rings, Bolt In Heat Plug, Can Upgrade To 226-1721 (Keystone Compression Rings-0R3756) In Sets	see at page 149	226-1697	6
	Contains OE# Piston 7N1366, Keystone Compression Rings, Dual Ni-Resist Inserts, Bolt In Heat Plug, OE Piston Pack# 0R3756	see at page 149	226-1721	6
Cylinder Sleeve		8N5676	226-4465	6
Cylinder Sleeve (Bare)	Use With Part Number 223-7115	8N5676	226-4465X	6
Piston	Keystone Compression Rings, Dual Ni-Resist Inserts, Bolt In Heat Plug	7N1366	224-3185	6
	Rectangular Compression Rings, Bolt In Heat Plug	4M9111	224-3189	6
Piston (Bare)	Keystone Compression Rings, Dual Ni-Resist Inserts, Bolt In Heat Plug, Contained Within 226-1721, Use With Part Number 223-1831 And 223-5501	7N1366	224-3185X	6
	Rectangular Compression Rings, Bolt In Heat Plug, Contained Within 226-1697, Can Upgrade To 224-3185X In Sets, Use With Part Number 223-1831 And 223-5501	4M9111	224-3189X	6
Ring Set	Late Design, Turbocharged, 3 Ring Piston, Top OE# 8N5654, Intermediate OE# 2S8884, Oil OE# 3H0881, Keystone Compression Rings	8N5760	S41329	6
	Top OE# 5M4281, Intermediate OE# 5M9053, Oil OE# 5M5697, Rectangular Top Ring	3S4031	S41822	6
Piston Pin	2.390" Diameter, 4.726" Length	7N9809	223-1831	6
Lock Ring	Supersedes To 223-5505	See Note	223-5501	6
	2 Per Package	7M4926	223-5505	6
Sleeve O-Ring Kit	Contains OE# 8N4638, 6L7812(3)	5P9221	223-7115	6

Bearings

Connecting Rod Bearing	2.000" Length	8N7933	CB-964AL	6
		8N7934	CB-964AL-25	
		8N7935	CB-964AL-50	

Valve Train & Ancillary

Valve (Intake)	2.343" Head Diameter, Stellite Face, Tapered Groove, With .4955" Stem Diameter	8H1993	211-2351	6
Valve (Exhaust)	2.282" Head Diameter, Stellite Face, Tapered Groove, With .4955" Stem Diameter	8H1994	211-2352	6

67	5.7500" 1246 CID (20.4L) 6 Cyl / 12 Valves D 13000 Series			67
-----------	---	--	--	-----------

Cylinder Components

Cylinder Sleeve Assembly	Contains OE# Piston 4M9111, Rectangular Compression Rings, Bolt In Heat Plug, Can Upgrade To 226-1721 (Keystone Compression Rings-0R3756) In Sets	see at page 149	226-1697	6
Cylinder Sleeve		8N5676	226-4465	6
Cylinder Sleeve (Bare)	Use With Part Number 223-7115	8N5676	226-4465X	6
Piston	Rectangular Compression Rings, Bolt In Heat Plug	4M9111	224-3189	6
Piston (Bare)	Rectangular Compression Rings, Bolt In Heat Plug, Contained Within 226-1697, Can Upgrade To 224-3185X In Sets, Use With Part Number 223-1831 And 223-5501	4M9111	224-3189X	6

PART	NOTES	OE INTERCHANGE NUMBER	PART NUMBER	PER ENGINE QTY
67 (cont.)	5.7500" 1246 CID (20.4L) 6 Cyl / 12 Valves D 13000 Series			67 (cont.)

Cylinder Components (cont.)

Ring Set	Late Design, Turbocharged, 3 Ring Piston, Top OE# 8N5654, Intermediate OE# 2S8884, Oil OE# 3H0881, Keystone Compression Rings	8N5760	S41329	6
	Top OE# 5M4281, Intermediate OE# 5M9053, Oil OE# 5M5697, Rectangular Top Ring	3S4031	S41822	6
Piston Pin	2.390" Diameter, 4.726" Length	7N9809	223-1831	6
Lock Ring	Supersedes To 223-5505	See Note	223-5501	6
	2 Per Package	7M4926	223-5505	6
Sleeve O-Ring Kit	Contains OE# 8N4638, 6L7812(3)	5P9221	223-7115	6

Bearings

Connecting Rod Bearing	2.000" Length	8N7933	CB-964AL	6
		8N7934	CB-964AL-25	
		8N7935	CB-964AL-50	

Valve Train & Ancillary

Valve (Intake)	2.343" Head Diameter, Stellite Face, Tapered Groove, With .4955" Stem Diameter	8H1993	211-2351	6
Valve (Exhaust)	2.282" Head Diameter, Stellite Face, Tapered Groove, With .4955" Stem Diameter	8H1994	211-2352	6

68	5.7500" 1662 CID (27.3L) 8 Cyl / 16 Valves D 364 Series			68
-----------	---	--	--	-----------

Cylinder Components

Cylinder Sleeve Assembly	Contains OE# Piston 4M9111, Rectangular Compression Rings, Bolt In Heat Plug, Can Upgrade To 226-1721 (Keystone Compression Rings-0R3756) In Sets	see at page 149	226-1697	8
Cylinder Sleeve		8N5676	226-4465	8
Cylinder Sleeve (Bare)	Use With Part Number 223-7115	8N5676	226-4465X	8
Piston	Rectangular Compression Rings, Bolt In Heat Plug	4M9111	224-3189	8
Piston (Bare)	Rectangular Compression Rings, Bolt In Heat Plug, Contained Within 226-1697, Can Upgrade To 224-3185X In Sets, Use With Part Number 223-1831 And 223-5501	4M9111	224-3189X	8
Ring Set	Top OE# 5M4281, Intermediate OE# 5M9053, Oil OE# 5M5697, Rectangular Top Ring	3S4031	S41822	8
Piston Pin	2.390" Diameter, 4.726" Length	7N9809	223-1831	8
Lock Ring	Supersedes To 223-5505	See Note	223-5501	8
	2 Per Package	7M4926	223-5505	8
Sleeve O-Ring Kit	Contains OE# 8N4638, 6L7812(3)	5P9221	223-7115	8

Valve Train & Ancillary

Valve (Intake)	2.343" Head Diameter, Stellite Face, Tapered Groove, With .4955" Stem Diameter	8H1993	211-2351	8
Valve (Exhaust)	2.282" Head Diameter, Stellite Face, Tapered Groove, With .4955" Stem Diameter	8H1994	211-2352	8

PART	NOTES	OE INTERCHANGE NUMBER	PART NUMBER	PER ENGINE QTY
69	5.7500" 2493 CID (40.9L) 12 Cyl / 24 Valves D 386 Series			69

Cylinder Components

Cylinder Sleeve Assembly	Contains OE# Piston 4M9111, Rectangular Compression Rings, Bolt In Heat Plug, Can Upgrade To 226-1721 (Keystone Compression Rings-0R3756) In Sets	see at page 149	226-1697	12
Cylinder Sleeve		8N5676	226-4465	12
Cylinder Sleeve (Bare)	Use With Part Number 223-7115	8N5676	226-4465X	12
Piston	Rectangular Compression Rings, Bolt In Heat Plug	4M9111	224-3189	12
Piston (Bare)	Rectangular Compression Rings, Bolt In Heat Plug, Contained Within 226-1697, Can Upgrade To 224-3185X In Sets, Use With Part Number 223-1831 And 223-5501	4M9111	224-3189X	12
Ring Set	Top OE# 5M4281, Intermediate OE# 5M9053, Oil OE# 5M5697, Rectangular Top Ring	3S4031	S41822	12
Piston Pin	2.390" Diameter, 4.726" Length	7N9809	223-1831	12
Lock Ring	Supersedes To 223-5505	See Note	223-5501	12
	2 Per Package	7M4926	223-5505	12

Valve Train & Ancillary

Valve (Intake)	2.343" Head Diameter, Stellite Face, Tapered Groove, With .4955" Stem Diameter	8H1993	211-2351	12
Valve (Exhaust)	2.282" Head Diameter, Stellite Face, Tapered Groove, With .4955" Stem Diameter	8H1994	211-2352	12

70	6.2500" 1473 CID (24.2L) 6 Cyl / 12 Valves; Sleeved Engine Engine Code: 'D353'			70
-----------	--	--	--	-----------

Cylinder Components

Cylinder Sleeve Assembly	Contains OE# Piston 7N5036, Keystone Compression Rings, Bolt In Heat Plug, OE Piston Pack# 0R3296	see at page 149	226-1690	6
	Contains OE# Piston 7N4515, Rectangular Compression Rings, Bolt In Heat Plug, Can Upgrade To 226-1690 (Keystone Compression Rings-0R3296) In Sets	see at page 149	226-1844	6
Cylinder Sleeve		8N9174	226-4505	6
Cylinder Sleeve (Bare)	Use With Part Number 223-7124	8N9174	226-4505X	6
Piston	Keystone Compression Rings, Bolt In Heat Plug	7N5036	224-3022	6
	Rectangular Compression Rings, Bolt In Heat Plug	7N4515	224-3026	6
Piston (Bare)	Keystone Compression Rings, Bolt In Heat Plug, Contained Within 226-1690, Dual Ni-Resist Inserts, Use With Part Number 223-1832 And 223-5505	7N5036	224-3022X	6
	Rectangular Compression Rings, Bolt In Heat Plug, Contained Within 226-1844, Can Upgrade To 224-3022 In Sets, Use With Part Number 223-1832 And 223-5505	7N4515	224-3026X	6
Ring Set	Consolidated Set, Top OE# 9S7507, Intermediate OE# 3S4059, Oil OE# 1W5104, Rectangular Compression Rings	1W5105 1W6055	S40538	6
	Top OE# 1N3592, Intermediate OE# 6N6640, Oil OE# 1W5104, Keystone Compression Rings	1N3601	S41287	6
Piston Pin	1.500" Diameter, 3.730" Length	7N9804	223-1829	6
		7N9810	223-1832	6
Lock Ring	2 Per Package	7M4926	223-5505	6
Sleeve O-Ring Kit	Contains OE# 6L7815(3), 8N4708	5P8970	223-7124	6

PART	NOTES	OE INTERCHANGE NUMBER	PART NUMBER	PER ENGINE QTY
70 (cont.)	6.2500" 1473 CID (24.2L) 6 Cyl / 12 Valves; Sleeved Engine Engine Code: 'D353'			70 (cont.)

Bearings

Connecting Rod Bearing		1N4336	CB-778AL	6
		1N4337	CB-778AL-25	
Piston Pin Bushing	Straight Sided, 2.260" Length, Requires Boring	8N2275	223-3570	6

Valve Train & Ancillary

Valve (Intake)	2.505" Head Diameter, Stellite Face, Tapered Groove, .4955" Stem Diameter	7M7817	211-3353	6
Valve (Exhaust)	2.350" Head Diameter, Stellite Face, Tapered Groove, .4955" Stem Diameter	8N3723	211-3324	6

Filters

Spin-on fuel filter		1P2299 1R0711	KC 28	1
----------------------------	--	------------------	--------------	---

71	6.2500" 1473 CID (24.2L) 6 Cyl / 12 Valves; Sleeved Engine Engine Code: 'G353'			71
-----------	--	--	--	-----------

Cylinder Components

Cylinder Sleeve		8N9174	226-4505	6
Cylinder Sleeve (Bare)	Use With Part Number 223-7124	8N9174	226-4505X	6
Piston	10.0:1 CR, Natural Gas, No Heat Plug	3S1826	224-3231	6
Piston (Bare)	10.0:1 CR, Natural Gas, No Heat Plug, Use With Part Number 223-1832 And 223-5505	3S1826	224-3231X	6
Ring Set	Consolidated Set, Top OE# 9S7507, Intermediate OE# 3S4059, Oil OE# 1W5104, Rectangular Compression Rings	1W5105 1W6055	S40538	6
Piston Pin		7N9810	223-1832	6
Lock Ring	2 Per Package	7M4926	223-5505	6
Sleeve O-Ring Kit	Contains OE# 6L7815(3), 8N4708	5P8970	223-7124	6

Bearings

Connecting Rod Bearing		1N4336	CB-778AL	6
		1N4337	CB-778AL-25	
Piston Pin Bushing	Straight Sided, 2.260" Length, Requires Boring	8N2275	223-3570	6

Valve Train & Ancillary

Valve (Intake)	2.505" Head Diameter, Stellite Face, Tapered Groove, .4955" Stem Diameter	7M7817	211-3353	6
Valve (Exhaust)	2.350" Head Diameter, Stellite Face, Tapered Groove, .4955" Stem Diameter	8N3723	211-3324	6

72	6.2500" 1964 CID (32.2L) 8 Cyl / 16 Valves Engine Code: 'D379'			72
-----------	--	--	--	-----------

Cylinder Components

Cylinder Sleeve Assembly	Contains OE# Piston 7N5036, Keystone Compression Rings, Bolt In Heat Plug, OE Piston Pack# 0R3296	see at page 149	226-1690	8
	Contains OE# Piston 7N4515, Rectangular Compression Rings, Bolt In Heat Plug, Can Upgrade To 226-1690 (Keystone Compression Rings-0R3296) In Sets	see at page 149	226-1844	8
Cylinder Sleeve		8N9174	226-4505	8
Cylinder Sleeve (Bare)	Use With Part Number 223-7124	8N9174	226-4505X	8
Piston	Keystone Compression Rings, Bolt In Heat Plug	7N5036	224-3022	8

PART	NOTES	OE INTERCHANGE NUMBER	PART NUMBER	PER ENGINE QTY
72 (cont.)	6.2500" 1964 CID (32.2L) 8 Cyl / 16 Valves Engine Code: 'D379'			72 (cont.)

Cylinder Components (cont.)

Piston (cont.)	Rectangular Compression Rings, Bolt In Heat Plug	7N4515	224-3026	8
Piston (Bare)	Keystone Compression Rings, Bolt In Heat Plug, Contained Within 226-1690, Dual Ni-Resist Inserts, Use With Part Number 223-1832 And 223-5505	7N5036	224-3022X	8
	Rectangular Compression Rings, Bolt In Heat Plug, Contained Within 226-1844, Can Upgrade To 224-3022 In Sets, Use With Part Number 223-1832 And 223-5505	7N4515	224-3026X	8
Ring Set	Consolidated Set, Top OE# 9S7507, Intermediate OE# 3S4059, Oil OE# 1W5104, Rectangular Compression Rings	1W5105 1W6055	S40538	8
	Top OE# 1N3592, Intermediate OE# 6N6640, Oil OE# 1W5104, Keystone Compression Rings	1N3601	S41287	8
Piston Pin		7N9810	223-1832	8
Lock Ring	2 Per Package	7M4926	223-5505	8
Sleeve O-Ring Kit	Contains OE# 6L7815(3), 8N4708	5P8970	223-7124	8

Bearings

Connecting Rod Bearing		8N7769	CB-970AL	8
		8N7770	CB-970AL-25	
Main Bearing Set	Requires Thrust Washer Set, Not Included	8N7764	MS-1058AL	1
Main Bearings		8N7764	MB-2597AL	5
Thrust Washer Set	Contains 2 Pieces	4L4653	TW-226S	1
Piston Pin Bushing	Straight Sided, 2.260" Length, Requires Boring	8N2275	223-3570	8

Valve Train & Ancillary

Valve (Intake)	2.505" Head Diameter, Stellite Face, Tapered Groove, .4955" Stem Diameter	7M7817	211-3353	8
Valve (Exhaust)	2.350" Head Diameter, Stellite Face, Tapered Groove, .4955" Stem Diameter	8N3723	211-3324	8

73	6.2500" 1964 CID (32.2L) 8 Cyl / 16 Valves; Sleeved Engine Engine Code: 'G379'			73
-----------	--	--	--	-----------

Cylinder Components

Cylinder Sleeve		8N9174	226-4505	8
Cylinder Sleeve (Bare)	Use With Part Number 223-7124	8N9174	226-4505X	8
Piston	10.0:1 CR, Natural Gas, No Heat Plug	3S1826	224-3231	8
Piston (Bare)	10.0:1 CR, Natural Gas, No Heat Plug, Use With Part Number 223-1832 And 223-5505	3S1826	224-3231X	8
Ring Set	Consolidated Set, Top OE# 9S7507, Intermediate OE# 3S4059, Oil OE# 1W5104, Rectangular Compression Rings	1W5105 1W6055	S40538	8
Piston Pin		7N9810	223-1832	8
Lock Ring	2 Per Package	7M4926	223-5505	8
Sleeve O-Ring Kit	Contains OE# 6L7815(3), 8N4708	5P8970	223-7124	8

Bearings

Connecting Rod Bearing		8N7769	CB-970AL	8
		8N7770	CB-970AL-25	
Main Bearing Set	Requires Thrust Washer Set, Not Included	8N7764	MS-1058AL	1
Main Bearings		8N7764	MB-2597AL	5
Thrust Washer Set	Contains 2 Pieces	4L4653	TW-226S	1



PART	NOTES	OE INTERCHANGE NUMBER	PART NUMBER	PER ENGINE QTY
73 (cont.)	6.2500" 1964 CID (32.2L) 8 Cyl / 16 Valves; Sleeved Engine Engine Code: 'G379'			73 (cont.)

Bearings (cont.)

Piston Pin Bushing	Straight Sided, 2.260" Length, Requires Boring	8N2275	223-3570	8
---------------------------	--	--------	-----------------	---

Valve Train & Ancillary

Valve (Intake)	2.505" Head Diameter, Stellite Face, Tapered Groove, .4955" Stem Diameter	7M7817	211-3353	8
Valve Spring	Outer	9M5350	212-1387	16

74	6.2500" 2946 CID (48.3L) 12 Cyl / 24 Valves Engine Code: 'D398'			74
-----------	---	--	--	-----------

Cylinder Components

Cylinder Sleeve Assembly	Contains OE# Piston 7N5036, Keystone Compression Rings, Bolt In Heat Plug, OE Piston Pack# 0R3296	see at page 149	226-1690	12
	Contains OE# Piston 7N4515, Rectangular Compression Rings, Bolt In Heat Plug, Can Upgrade To 226-1690 (Keystone Compression Rings-0R3296) In Sets	see at page 149	226-1844	12
Cylinder Sleeve		8N9174	226-4505	12
Cylinder Sleeve (Bare)	Use With Part Number 223-7124	8N9174	226-4505X	12
Piston	Keystone Compression Rings, Bolt In Heat Plug	7N5036	224-3022	12
	Rectangular Compression Rings, Bolt In Heat Plug	7N4515	224-3026	12
Piston (Bare)	Keystone Compression Rings, Bolt In Heat Plug, Contained Within 226-1690, Dual Ni-Resist Inserts, Use With Part Number 223-1832 And 223-5505	7N5036	224-3022X	12
	Rectangular Compression Rings, Bolt In Heat Plug, Contained Within 226-1844, Can Upgrade To 224-3022 In Sets, Use With Part Number 223-1832 And 223-5505	7N4515	224-3026X	12
Ring Set	Consolidated Set, Top OE# 9S7507, Intermediate OE# 3S4059, Oil OE# 1W5104, Rectangular Compression Rings	1W5105 1W6055	S40538	12
	Top OE# 1N3592, Intermediate OE# 6N6640, Oil OE# 1W5104, Keystone Compression Rings	1N3601	S41287	12
Piston Pin		7N9810	223-1832	12
Lock Ring	2 Per Package	7M4926	223-5505	12
Sleeve O-Ring Kit	Contains OE# 6L7815(3), 8N4708	5P8970	223-7124	12

Bearings

Connecting Rod Bearing		8N7769	CB-970AL	12
		8N7770	CB-970AL-25	
Main Bearing Set	Requires Thrust Washer Set, Not Included	8N7764	MS-1059AL	1
Main Bearings		8N7764	MB-2597AL	7
Thrust Washer Set	Contains 2 Pieces	4L4653	TW-226S	1
Piston Pin Bushing	Straight Sided, 2.260" Length, Requires Boring	8N2275	223-3570	12

Valve Train & Ancillary

Valve (Intake)	2.505" Head Diameter, Stellite Face, Tapered Groove, .4955" Stem Diameter	7M7817	211-3353	12
Valve (Exhaust)	2.350" Head Diameter, Stellite Face, Tapered Groove, .4955" Stem Diameter	8N3723	211-3324	12

PART	NOTES	OE INTERCHANGE NUMBER	PART NUMBER	PER ENGINE QTY
75	6.2500" 2946 CID (48.3L) 12 Cyl / 24 Valves Engine Code: 'G398'			75

Cylinder Components

Cylinder Sleeve		8N9174	226-4505	12
Cylinder Sleeve (Bare)	Use With Part Number 223-7124	8N9174	226-4505X	12
Piston	10.0:1 CR, Natural Gas, No Heat Plug	3S1826	224-3231	12
Piston (Bare)	10.0:1 CR, Natural Gas, No Heat Plug, Use With Part Number 223-1832 And 223-5505	3S1826	224-3231X	12
Ring Set	Consolidated Set, Top OE# 9S7507, Intermediate OE# 3S4059, Oil OE# 1W5104, Rectangular Compression Rings	1W5105 1W6055	S40538	12
Piston Pin		7N9810	223-1832	12
Lock Ring	2 Per Package	7M4926	223-5505	12
Sleeve O-Ring Kit	Contains OE# 6L7815(3), 8N4708	5P8970	223-7124	12

Bearings

Connecting Rod Bearing		8N7769	CB-970AL	12
		8N7770	CB-970AL-25	
Main Bearing Set	Requires Thrust Washer Set, Not Included	8N7764	MS-1059AL	1
Main Bearings		8N7764	MB-2597AL	7
Thrust Washer Set	Contains 2 Pieces	4L4653	TW-226S	1
Piston Pin Bushing	Straight Sided, 2.260" Length, Requires Boring	8N2275	223-3570	12

Valve Train & Ancillary

Valve (Intake)	2.505" Head Diameter, Stellite Face, Tapered Groove, .4955" Stem Diameter	7M7817	211-3353	12
Valve Spring	Outer	9M5350	212-1387	24

76	6.2500" 3928 CID (64.4L) 16 Cyl / 32 Valves Engine Code: 'D399'			76
-----------	---	--	--	-----------

Cylinder Components

Cylinder Sleeve Assembly	Contains OE# Piston 7N5036, Keystone Compression Rings, Bolt In Heat Plug, OE Piston Pack# 0R3296	see at page 149	226-1690	16
	Contains OE# Piston 7N4515, Rectangular Compression Rings, Bolt In Heat Plug, Can Upgrade To 226-1690 (Keystone Compression Rings-0R3296) In Sets	see at page 149	226-1844	16
Cylinder Sleeve		8N9174	226-4505	16
Cylinder Sleeve (Bare)	Use With Part Number 223-7124	8N9174	226-4505X	16
Piston	Keystone Compression Rings, Bolt In Heat Plug	7N5036	224-3022	16
	Rectangular Compression Rings, Bolt In Heat Plug	7N4515	224-3026	16
Piston (Bare)	Keystone Compression Rings, Bolt In Heat Plug, Contained Within 226-1690, Dual Ni-Resist Inserts, Use With Part Number 223-1832 And 223-5505	7N5036	224-3022X	16
	Rectangular Compression Rings, Bolt In Heat Plug, Contained Within 226-1844, Can Upgrade To 224-3022 In Sets, Use With Part Number 223-1832 And 223-5505	7N4515	224-3026X	16
Ring Set	Consolidated Set, Top OE# 9S7507, Intermediate OE# 3S4059, Oil OE# 1W5104, Rectangular Compression Rings	1W5105 1W6055	S40538	16
	Top OE# 1N3592, Intermediate OE# 6N6640, Oil OE# 1W5104, Keystone Compression Rings	1N3601	S41287	16
Piston Pin		7N9810	223-1832	16
Lock Ring	2 Per Package	7M4926	223-5505	16
Sleeve O-Ring Kit	Contains OE# 6L7815(3), 8N4708	5P8970	223-7124	16

PART	NOTES	OE INTERCHANGE NUMBER	PART NUMBER	PER ENGINE QTY
76 (cont.)	6.2500" 3928 CID (64.4L) 16 Cyl / 32 Valves Engine Code: 'D399'			76 (cont.)

Bearings

Connecting Rod Bearing		8N7769	CB-970AL	16
		8N7770	CB-970AL-25	
Main Bearings		8N7764	MB-2597AL	9
Thrust Washer Set	Contains 2 Pieces	4L4653	TW-226S	1
Piston Pin Bushing	Straight Sided, 2.260" Length, Requires Boring	8N2275	223-3570	16

Valve Train & Ancillary

Valve (Intake)	2.505" Head Diameter, Stellite Face, Tapered Groove, .4955" Stem Diameter	7M7817	211-3353	16
Valve (Exhaust)	2.350" Head Diameter, Stellite Face, Tapered Groove, .4955" Stem Diameter	8N3723	211-3324	16

77	6.2500" 3298 CID (64.4L) 16 Cyl / 32 Valves Engine Code: 'G399'			77
-----------	---	--	--	-----------

Cylinder Components

Cylinder Sleeve		8N9174	226-4505	16
Cylinder Sleeve (Bare)	Use With Part Number 223-7124	8N9174	226-4505X	16
Piston	10.0:1 CR, Natural Gas, No Heat Plug	3S1826	224-3231	16
Piston (Bare)	10.0:1 CR, Natural Gas, No Heat Plug, Use With Part Number 223-1832 And 223-5505	3S1826	224-3231X	16
Ring Set	Consolidated Set, Top OE# 9S7507, Intermediate OE# 3S4059, Oil OE# 1W5104, Rectangular Compression Rings	1W5105 1W6055	S40538	16
Piston Pin		7N9810	223-1832	16
Lock Ring	2 Per Package	7M4926	223-5505	16
Sleeve O-Ring Kit	Contains OE# 6L7815(3), 8N4708	5P8970	223-7124	16

Bearings

Connecting Rod Bearing		8N7769	CB-970AL	16
		8N7770	CB-970AL-25	
Main Bearings		8N7764	MB-2597AL	9
Thrust Washer Set	Contains 2 Pieces	4L4653	TW-226S	1
Piston Pin Bushing	Straight Sided, 2.260" Length, Requires Boring	8N2275	223-3570	16

Valve Train & Ancillary

Valve (Intake)	2.505" Head Diameter, Stellite Face, Tapered Groove, .4955" Stem Diameter	7M7817	211-3353	16
Valve Spring	Outer	9M5350	212-1387	32

78	6.7000" 2115 CID (34.7L) 8 Cyl / 32 Valves Engine Code: 'G3508'			78
-----------	---	--	--	-----------

Cylinder Components

Cylinder Sleeve Assembly	8.0:1 CR, Spark Ignited, Includes Wide Flange Liner, Contains OE# Piston 1014140, Contains Ring Set S42074, OE Piston Pack# 0R4449	see at page 149	226-1976	8
	11.0:1 CR, Spark Ignited, Aluminum, Includes Wide Flange Liner, Contains OE# Piston 6L4609, Contains Ring Set S42074, OE Piston Pack# 0R4451	see at page 149	226-1977	8
Cylinder Sleeve	8.148" Narrow Flange OD	1238206	226-4542	8
Cylinder Sleeve (Bare)	8.148" Narrow Flange OD, Use With Part Number 223-7192	1238206	226-4542X	8

PART	NOTES	OE INTERCHANGE NUMBER	PART NUMBER	PER ENGINE QTY
78 (cont.)	6.7000" 2115 CID (34.7L) 8 Cyl / 32 Valves Engine Code: 'G3508'			78 (cont.)

Cylinder Components (cont.)

Cylinder Sleeve (Bare) (cont.)	8.330" Wide Flange OD, Use With Part Number 223-7192	2117826	226-4557X	8
Piston	8.0:1 CR, Spark Ignited, Use With Wide Flange Liner	1014140	224-3392	8
	11.0:1 CR, Spark Ignited, Aluminum, Use With Wide Flange Liner	6I4609	224-3393	8
Piston (Bare)	8.0:1 CR, Spark Ignited, Use With Wide Flange Liner, Contained Within 226-1976, Use With Part Number 223-1840 And 223-5508	1014140	224-3392X	8
	11.0:1 CR, Spark Ignited, Aluminum, Use With Wide Flange Liner, Contained Within 226-1977, Use With Part Number 223-1840 And 223-5508	6I4609	224-3393X	8
Ring Set	Top OE# 7E7581, Intermediate OE# 8N1234, Oil OE# 7W2221	7E2899	S42074	8
Piston Pin	2.754" Diameter, 5.417" Length	1388506	223-1840	8
Lock Ring	2 Per Package	8N7296	223-5508	8
Sleeve O-Ring Kit	Contains OE# 7N2046(3), 8N4707	6V3774	223-7192	8

Bearings

Connecting Rod Bearing		1077330	CB-1621P	8
Main Bearings		1496031	MB-3466P	5

79	6.7000" 2115 CID (34.7L) 8 Cyl / 32 Valves Engine Code: '3508'			79
-----------	--	--	--	-----------

Cylinder Components

Cylinder Sleeve Assembly	13.5:1 CR, Contains OE# Piston 9Y5124, Wide Flange Contains Late 8.330" Wide Flange Liner Contains Ring Set S41832, OE Piston Pack# 0R4446	see at page 149	226-1978	8
Cylinder Sleeve	8.148" Narrow Flange OD	1238206	226-4542	8
Cylinder Sleeve (Bare)	8.148" Narrow Flange OD, Use With Part Number 223-7192	1238206	226-4542X	8
	8.330" Wide Flange OD, Use With Part Number 223-7192	2117826	226-4557X	8
Piston	13.0:1 CR	7C2431	224-3265	8
	13.0:1 CR, Use With Wide Flange Liner	9Y4124	224-3394	8
Piston (Bare)	13.0:1 CR, Use With Part Number 223-1830 And 223-5507	7C2431	224-3265X	8
	13.0:1 CR, Use With Wide Flange Liner, Contained Within 226-1978, Use With Part Number 223-1840 And 223-5508	9Y4124	224-3394X	8
Ring Set	Top OE# 8N1233, Intermediate OE# 8N7810, Oil OE# 7W2221	1N3967	S41832	8
	Top OE# 7E7581, Intermediate OE# 8N1234, Oil OE# 7W2221	7E2899	S42074	8
Piston Pin	2.754" Diameter, 5.417" Length	1388506	223-1840	8
Lock Ring	2 Per Package	8N7296	223-5508	8
Sleeve O-Ring Kit	Contains OE# 7N2046(3), 8N4707	6V3774	223-7192	8

Bearings

Connecting Rod Bearing		1077330	CB-1621P	8
Main Bearings		1496031	MB-3466P	5
Thrust Washer (Individual)		7C6209	MB-3466W	2
Camshaft Bearing	Early Engines, 3.6200" OD	7N2048	SH-2169	1

PART	NOTES	OE INTERCHANGE NUMBER	PART NUMBER	PER ENGINE QTY
79 (cont.)	6.7000" 2115 CID (34.7L) 8 Cyl / 32 Valves Engine Code: '3508'			79 (cont.)

Bearings (cont.)

Camshaft	Late Engines, 3.8600" OD	1161359	SH-2177	1
Bearing (cont.)				
Piston Pin Bushing		1181655	223-3710*	8

Crankshaft

Crankshaft	Early, Counterweight Radius 221MM	1533928	247-5222	1
	Late, Counterweight Radius 225MM	1527625	247-5227	1

80	6.7000" 3173 CID (52.0L) 12 Cyl / 48 Valves Engine Code: 'G3512'			80
-----------	--	--	--	-----------

Cylinder Components

Cylinder Sleeve Assembly	8.0:1 CR, Spark Ignited, Includes Wide Flange Liner, Contains OE# Piston 1014140, Contains Ring Set S42074, OE Piston Pack# 0R4449	see at page 149	226-1976	12
	11.0:1 CR, Spark Ignited, Aluminum, Includes Wide Flange Liner, Contains OE# Piston 6I4609, Contains Ring Set S42074, OE Piston Pack# 0R4451	see at page 149	226-1977	12
Cylinder Sleeve	8.148" Narrow Flange OD	1238206	226-4542	12
Cylinder Sleeve (Bare)	8.148" Narrow Flange OD, Use With Part Number 223-7192	1238206	226-4542X	12
	8.330" Wide Flange OD, Use With Part Number 223-7192	2117826	226-4557X	12
Piston	8.0:1 CR, Spark Ignited, Use With Wide Flange Liner	1014140	224-3392	12
	11.0:1 CR, Spark Ignited, Aluminum, Use With Wide Flange Liner	6I4609	224-3393	12
Piston (Bare)	8.0:1 CR, Spark Ignited, Use With Wide Flange Liner, Contained Within 226-1976, Use With Part Number 223-1840 And 223-5508	1014140	224-3392X	12
	11.0:1 CR, Spark Ignited, Aluminum, Use With Wide Flange Liner, Contained Within 226-1977, Use With Part Number 223-1840 And 223-5508	6I4609	224-3393X	12
Ring Set	Top OE# 7E7581, Intermediate OE# 8N1234, Oil OE# 7W2221	7E2899	S42074	12
Piston Pin	2.754" Diameter, 5.417" Length	1388506	223-1840	12
Lock Ring	2 Per Package	8N7296	223-5508	12
Sleeve O-Ring Kit	Contains OE# 7N2046(3), 8N4707	6V3774	223-7192	12

Bearings

Connecting Rod Bearing		1077330	CB-1621P	12
Main Bearings		1496031	MB-3466P	7

81	6.7000" 3173 CID (52.0L) 12 Cyl / 48 Valves Engine Code: '3512'			81
-----------	---	--	--	-----------

Cylinder Components

Cylinder Sleeve Assembly	8.0:1 CR, Spark Ignited, Includes Wide Flange Liner, Contains OE# Piston 1014140, Contains Ring Set S42074, OE Piston Pack# 0R4449	see at page 149	226-1976	12
	11.0:1 CR, Spark Ignited, Aluminum, Includes Wide Flange Liner, Contains OE# Piston 6I4609, Contains Ring Set S42074, OE Piston Pack# 0R4451	see at page 149	226-1977	12
	13.5:1 CR, Contains OE# Piston 9Y5124, Wide Flange Contains Late 8.330" Wide Flange Liner Contains Ring Set S41832, OE Piston Pack# 0R4446	see at page 149	226-1978	12
Cylinder Sleeve	8.148" Narrow Flange OD	1238206	226-4542	12



PART	NOTES	OE INTERCHANGE NUMBER	PART NUMBER	PER ENGINE QTY
81 (cont.)	6.7000" 3173 CID (52.0L) 12 Cyl / 48 Valves Engine Code: '3512'			81 (cont.)

Cylinder Components (cont.)

Cylinder Sleeve (Bare)	8.148" Narrow Flange OD, Use With Part Number 223-7192	1238206	226-4542X	12
	8.330" Wide Flange OD, Use With Part Number 223-7192	2117826	226-4557X	12
Piston	13.0:1 CR	7C2431	224-3265	12
	8.0:1 CR, Spark Ignited, Use With Wide Flange Liner	1014140	224-3392	12
	11.0:1 CR, Spark Ignited, Aluminum, Use With Wide Flange Liner	6I4609	224-3393	12
	13.0:1 CR, Use With Wide Flange Liner	9Y4124	224-3394	12
Piston (Bare)	13.0:1 CR, Use With Part Number 223-1830 And 223-5507	7C2431	224-3265X	12
	8.0:1 CR, Spark Ignited, Use With Wide Flange Liner, Contained Within 226-1976, Use With Part Number 223-1840 And 223-5508	1014140	224-3392X	12
	11.0:1 CR, Spark Ignited, Aluminum, Use With Wide Flange Liner, Contained Within 226-1977, Use With Part Number 223-1840 And 223-5508	6I4609	224-3393X	12
	13.0:1 CR, Use With Wide Flange Liner, Contained Within 226-1978, Use With Part Number 223-1840 And 223-5508	9Y4124	224-3394X	12
Ring Set	Top OE# 8N1233, Intermediate OE# 8N7810, Oil OE# 7W2221	1N3967	S41832	12
	Top OE# 7E7581, Intermediate OE# 8N1234, Oil OE# 7W2221	7E2899	S42074	12
Piston Pin	2.754" Diameter, 5.417" Length	1388506	223-1840	12
Lock Ring	2 Per Package	8N7296	223-5508	12
Sleeve O-Ring Kit	Contains OE# 7N2046(3), 8N4707	6V3774	223-7192	12

Bearings

Connecting Rod Bearing		1077330	CB-1621P	12
Main Bearings		1496031	MB-3466P	7
Thrust Washer (Individual)		7C6209	MB-3466W	2
Camshaft Bearing	Early Engines, 3.6200" OD	7N2048	SH-2169	1
	Late Engines, 3.8600" OD	1161359	SH-2177	1
Piston Pin Bushing		1181655	223-3710•	12

Valve Train & Ancillary

Valve Seat Insert (Exhaust)	1.4375" ID, 1.687" OD, .3650" Depth	1W5283	218-7805	24
------------------------------------	-------------------------------------	--------	-----------------	----

82	6.7000" 4210 CID (69.0L) 16 Cyl / 64 Valves Engine Code: 'G3516'			82
-----------	--	--	--	-----------

Cylinder Components

Cylinder Sleeve Assembly	8.0:1 CR, Spark Ignited, Includes Wide Flange Liner, Contains OE# Piston 1014140, Contains Ring Set S42074, OE Piston Pack# 0R4449	see at page 149	226-1976	16
	11.0:1 CR, Spark Ignited, Aluminum, Includes Wide Flange Liner, Contains OE# Piston 6I4609, Contains Ring Set S42074, OE Piston Pack# 0R4451	see at page 149	226-1977	16
Cylinder Sleeve	8.148" Narrow Flange OD	1238206	226-4542	16
Cylinder Sleeve (Bare)	8.148" Narrow Flange OD, Use With Part Number 223-7192	1238206	226-4542X	16
	8.330" Wide Flange OD, Use With Part Number 223-7192	2117826	226-4557X	16

PART	NOTES	OE INTERCHANGE NUMBER	PART NUMBER	PER ENGINE QTY
82 (cont.)	6.7000" 4210 CID (69.0L) 16 Cyl / 64 Valves Engine Code: 'G3516'			82 (cont.)

Cylinder Components (cont.)

Piston	8.0:1 CR, Spark Ignited, Use With Wide Flange Liner	1014140	224-3392	16
	11.0:1 CR, Spark Ignited, Aluminum, Use With Wide Flange Liner	6I4609	224-3393	16
Piston (Bare)	8.0:1 CR, Spark Ignited, Use With Wide Flange Liner, Contained Within 226-1976, Use With Part Number 223-1840 And 223-5508	1014140	224-3392X	16
	11.0:1 CR, Spark Ignited, Aluminum, Use With Wide Flange Liner, Contained Within 226-1977, Use With Part Number 223-1840 And 223-5508	6I4609	224-3393X	16
Ring Set	Top OE# 7E7581, Intermediate OE# 8N1234, Oil OE# 7W2221	7E2899	S42074	16
Piston Pin	2.754" Diameter, 5.417" Length	1388506	223-1840	16
Lock Ring	2 Per Package	8N7296	223-5508	16
Sleeve O-Ring Kit	Contains OE# 7N2046(3), 8N4707	6V3774	223-7192	16

Bearings

Connecting Rod Bearing		1077330	CB-1621P	16
Main Bearings		1496031	MB-3466P	9

83	6.7000" 4210 CID (69.0L) 16 Cyl / 64 Valves Engine Code: '3516'			83
-----------	---	--	--	-----------

Cylinder Components

Cylinder Sleeve Assembly	13.5:1 CR, Contains OE# Piston 9Y5124, Wide Flange Contains Late 8.330" Wide Flange Liner Contains Ring Set S41832, OE Piston Pack# 0R4446	see at page 149	226-1978	16
Cylinder Sleeve	8.148" Narrow Flange OD	1238206	226-4542	16
Cylinder Sleeve (Bare)	8.148" Narrow Flange OD, Use With Part Number 223-7192	1238206	226-4542X	16
	8.330" Wide Flange OD, Use With Part Number 223-7192	2117826	226-4557X	16
Piston	13.0:1 CR	7C2431	224-3265	16
	13.0:1 CR, Use With Wide Flange Liner	9Y4124	224-3394	16
Piston (Bare)	13.0:1 CR, Use With Part Number 223-1830 And 223-5507	7C2431	224-3265X	16
	13.0:1 CR, Use With Wide Flange Liner, Contained Within 226-1978, Use With Part Number 223-1840 And 223-5508	9Y4124	224-3394X	16
Ring Set	Top OE# 8N1233, Intermediate OE# 8N7810, Oil OE# 7W2221	1N3967	S41832	16
	Top OE# 7E7581, Intermediate OE# 8N1234, Oil OE# 7W2221	7E2899	S42074	16
Piston Pin	2.754" Diameter, 5.417" Length	1388506	223-1840	16
Lock Ring	2 Per Package	8N7296	223-5508	16
Sleeve O-Ring Kit	Contains OE# 7N2046(3), 8N4707	6V3774	223-7192	16

Bearings

Connecting Rod Bearing		1077330	CB-1621P	16
Main Bearings		1496031	MB-3466P	9
Thrust Washer (Individual)		7C6209	MB-3466W	2
Camshaft Bearing	Early Engines, 3.6200" OD	7N2048	SH-2169	1
	Late Engines, 3.8600" OD	1161359	SH-2177	1
Piston Pin Bushing		1181655	223-3710•	16

Bore	Part No.	OE Interchange Number	Qty
4.500	226-1685		
Cylinder Sleeve (Bare):	226-4518X	8S2240	1
Sleeve O-Ring Kit:	223-7132	3S3977	1
Piston (Bare):	224-3202X	2M5558	1
Piston Pin:	223-1829	7N9804	1
Lock Ring:	223-5503	9H4015	1
Ring Set:	S40574	9S8704	1

Bore	Part No.	OE Interchange Number	Qty
4.750	226-1695		
Cylinder Sleeve (Bare):	226-4493X	1105800	1
Sleeve O-Ring Kit:	223-7188	5P8768	1
Piston (Bare):	224-3034X	9N5250	1
Piston Pin:	223-1835	7N9805	1
Lock Ring:	223-5502	1S9543	1
Ring Set:	S40963	9S3068	1

Bore	Part No.	OE Interchange Number	Qty
4.750	226-1861		
Cylinder Sleeve (Bare):	226-4493X	1105800	1
Sleeve O-Ring Kit:	223-7188	5P8768	1
Piston (Bare):	224-3271X	4P2654	1
Piston Pin:	223-1829	7N9804	1
Lock Ring:	223-5503	9H4015	1
Ring Set:	S41841	4P2656 4P2657 4P2658	1

Bore	Part No.	OE Interchange Number	Qty
4.750	226-1882		
Cylinder Sleeve (Bare):	226-4493X	1105800	1
Sleeve O-Ring Kit:	223-7188	5P8768	1
Piston (Bare):	224-3251X	9N5403	1
Piston Pin:	223-1835	7N9805	1
Lock Ring:	223-5502	1S9543	1
Ring Set:	S41394	2W1709	1

Bore	Part No.	OE Interchange Number	Qty
4.750	226-1889		
Cylinder Sleeve (Bare):	226-4493X	1105800	1
Sleeve O-Ring Kit:	223-7188	5P8768	1
Piston (Bare):	224-3297X	1290358	1
Piston Pin:	223-1835	7N9805	1
Lock Ring:	223-5502	1S9543	1
Ring Set:	S41653	2W6091	1

Bore	Part No.	OE Interchange Number	Qty
4.750	226-1967		
Cylinder Sleeve (Bare):	226-4493X	1105800	1
Sleeve O-Ring Kit:	223-7188	5P8768	1
Piston (Bare):	224-3369X	8N3182	1
Piston Pin:	223-1829	7N9804	1
Lock Ring:	223-5503	9H4015	1
Ring Set:	S40963	9S3068	1

Bore	Part No.	OE Interchange Number	Qty
4.750	226-1968		
Cylinder Sleeve (Bare):	226-4493X	1105800	1
Sleeve O-Ring Kit:	223-7188	5P8768	1
Piston (Bare):	224-3368X	1654262	1
Piston Pin:	223-1835	7N9805	1
Lock Ring:	223-5502	1S9543	1
Ring Set:	S41942	2114321	1

Bore	Part No.	OE Interchange Number	Qty
4.750	226-1974		
Cylinder Sleeve (Bare):	226-4493X	1105800	1
Sleeve O-Ring Kit:	223-7188	5P8768	1
Piston (Bare):	224-3395X	1073565	1
Piston Pin:	223-1835	7N9805	1
Lock Ring:	223-5502	1S9543	1
Ring Set:	S42054	1006694 1006695 6I0497	1

Bore	Part No.	OE Interchange Number	Qty
4.750	226-1975		
Cylinder Sleeve (Bare):	226-4493X	1105800	1
Sleeve O-Ring Kit:	223-7188	5P8768	1
Piston (Bare):	224-3396X	1548087	1
Piston Pin:	223-1835	7N9805	1
Lock Ring:	223-5502	1S9543	1
Ring Set:	S41942	2114321	1

Bore	Part No.	OE Interchange Number	Qty
4.750	226-1988		
Cylinder Sleeve (Bare):	226-4493X	1105800	1
Sleeve O-Ring Kit:	223-7188	5P8768	1
Piston (Bare):	224-3586X	1684531	1
Piston Pin:	223-1835	7N9805	1
Lock Ring:	223-5502	1S9543	1
Ring Set:	S41942	2114321	1

Bore	Part No.	OE Interchange Number	Qty
4.750	226-2047		
Cylinder Sleeve (Bare):	226-4493X	1105800	1
Sleeve O-Ring Kit:	223-7188	5P8768	1
Piston (Bare):	224-3748X	1646560	1
Piston Pin:	223-1835	7N9805	1
Lock Ring:	223-5502	1S9543	1
Ring Set:	S42139	5S6750 6I0497 9S3029	1

CATERPILLAR CYLINDER SLEEVE ASSEMBLY COMPONENT INTERCHANGES

MAHLE

Bore	Part No.	OE Interchange Number	Qty
5.394 226-2048			
Cylinder Sleeve (Bare):	226-4617X	1979322	1
Sleeve O-Ring Kit:	223-7195	1609874	1
Piston Crown:	224-3635X	1917855	1
Piston Skirt:	224-3347X	1326663	1
Piston Pin:	223-1846	1687246	1
Lock Ring:	223-5511	7E1177	1
Ring Set:	S41927	1765749 1777496 1899771	1
5.394 226-2049			
Cylinder Sleeve (Bare):	226-4506X	1979322	1
Sleeve O-Ring Kit:	223-7195	1609874	1
Piston Crown:	224-3636X	2250115	1
Piston Skirt:	224-3347X	1326663	1
Piston Pin:	223-1846	1687246	1
Lock Ring:	223-5511	7E1177	1
Ring Set:	S42181	1765749 1899771 2257010	1
5.400 226-1733			
Cylinder Sleeve (Bare):	226-4617X	1979322	1
Sleeve O-Ring Kit:	223-7195	1609874	1
Piston (Bare):	224-3245X	9Y7212	1
Piston Pin:	223-1830	8N1608	1
Lock Ring:	223-5507	7E5665	1
Ring Set:	S41890	1W8922	1
5.400 226-1734			
Cylinder Sleeve (Bare):	226-4617X	1979322	1
Sleeve O-Ring Kit:	223-7195	1609874	1
Piston (Bare):	224-3244X	2900017	1
Piston Pin:	223-1830	8N1608	1
Lock Ring:	223-5507	7E5665	1
Ring Set:	S41890	1W8922	1
5.400 226-1855			
Cylinder Sleeve (Bare):	226-4617X	1979322	1
Sleeve O-Ring Kit:	223-7195	1609874	1
Piston (Bare):	224-3023X	9Y9889	1
Piston Pin:	223-1830	8N1608	1
Lock Ring:	223-5507	7E5665	1
Ring Set:	S41890	1W8922	1

Bore	Part No.	OE Interchange Number	Qty
5.400 226-1898			
Cylinder Sleeve (Bare):	226-4506X	1979322	1
Sleeve O-Ring Kit:	223-7195	1609874	1
Piston (Bare):	224-3268X	9Y3116	1
Piston Pin:	223-1830	8N1608	1
Lock Ring:	223-5507	7E5665	1
Ring Set:	S41890	1W8922	1
5.400 226-1901			
Cylinder Sleeve (Bare):	226-4617X	1979322	1
Sleeve O-Ring Kit:	223-7195	1609874	1
Piston (Bare):	224-3028X	7E0539	1
Piston Pin:	223-1830	8N1608	1
Lock Ring:	223-5507	7E5665	1
Ring Set:	S41890	1W8922	1
5.400 226-1918			
Cylinder Sleeve (Bare):	226-4617X	1979322	1
Sleeve O-Ring Kit:	223-7195	1609874	1
Piston (Bare):	224-3291X	7E8700	1
Piston Pin:	223-1830	8N1608	1
Lock Ring:	223-5507	7E5665	1
Ring Set:	S41890	1W8922	1
5.400 226-1922			
Cylinder Sleeve (Bare):	226-4617X	1979322	1
Sleeve O-Ring Kit:	223-7195	1609874	1
Piston (Bare):	224-3298X	1010016	1
Piston Pin:	223-1846	1687246	1
Lock Ring:	223-5511	7E1177	1
Ring Set:	S41890	1W8922	1
5.400 226-1969			
Cylinder Sleeve (Bare):	226-4617X	1979322	1
Sleeve O-Ring Kit:	223-7195	1609874	1
Piston Crown:	224-3374X	1807352	1
Piston Skirt:	224-3347X	1326663	1
Piston Pin:	223-1846	1687246	1
Lock Ring:	223-5511	7E1177	1
Ring Set:	S41927	1765749 1777496 1899771	1

VICTOR REINZ
Sealing Products

LEVITE

MAHLE
ORIGINAL

Bore	Part No.	OE Interchange Number	Qty
5.400 226-1970			
Cylinder Sleeve (Bare):	226-4506X	1979322	1
Sleeve O-Ring Kit:	223-7195	1609874	1
Piston Crown:	224-3375X	1352837	1
Piston Skirt:	224-3346X	1300241	1
Piston Pin:	223-1846	1687246	1
Lock Ring:	223-5511	7E1177	1
Ring Set:	S41890	1W8922	1
5.400 226-1971			
Cylinder Sleeve (Bare):	226-4506X	1979322	1
Sleeve O-Ring Kit:	223-7195	1609874	1
Piston Crown:	224-3376X	1495566	1
Piston Skirt:	224-3346X	1300241	1
Piston Pin:	223-1846	1687246	1
Lock Ring:	223-5511	7E1177	1
Ring Set:	S41890	1W8922	1
5.400 226-1972			
Cylinder Sleeve (Bare):	226-4506X	1979322	1
Sleeve O-Ring Kit:	223-7195	1609874	1
Piston Crown:	224-3377X	221-2305	1
Piston Skirt:	224-3347X	1326663	1
Piston Pin:	223-1846	1687246	1
Lock Ring:	223-5511	7E1177	1
Ring Set:	S41943	1343761 1765749 1899771	1
5.400 226-1973			
Cylinder Sleeve (Bare):	226-4506X	1979322	1
Sleeve O-Ring Kit:	223-7195	1609874	1
Piston Crown:	224-3378X	7C2888	1
Piston Skirt:	224-3346X	1300241	1
Piston Pin:	223-1846	1687246	1
Lock Ring:	223-5511	7E1177	1
Ring Set:	S41890	1W8922	1
5.400 226-1994			
Cylinder Sleeve (Bare):	226-4506X	1979322	1
Sleeve O-Ring Kit:	223-7195	1609874	1
Piston Skirt:	224-3347X	1326663	1
Piston Pin:	223-1846	1687246	1
Lock Ring:	223-5511	7E1177	1
Ring Set:	S41927	1765749 1777496 1899771	1

Bore	Part No.	OE Interchange Number	Qty
5.400 226-1995			
Cylinder Sleeve (Bare):	226-4506X	1979322	1
Sleeve O-Ring Kit:	223-7195	1609874	1
Piston Skirt:	224-3346X	1300241	1
Piston Pin:	223-1846	1687246	1
Lock Ring:	223-5511	7E1177	1
Ring Set:	S41890	1W8922	1
5.400 226-2020			
Cylinder Sleeve (Bare):	226-4506X	1979322	1
Sleeve O-Ring Kit:	223-7195	1609874	1
Piston (Bare):	224-3588X	7E3888	1
Piston Pin:	223-1830	8N1608	1
Lock Ring:	223-5507	7E5665	1
Ring Set:	S41908	7C8939 7W6952 9S2263	1
5.400 226-2038			
Cylinder Sleeve (Bare):	226-4617X	1979322	1
Sleeve O-Ring Kit:	223-7195	1609874	1
Piston (Bare):	224-3751X	1601131	1
Piston Pin:	223-1830	8N1608	1
Lock Ring:	223-5507	7E5665	1
Ring Set:	S41890	1W8922	1
5.400 226-2042			
Cylinder Sleeve (Bare):	226-4617X	1979322	1
Sleeve O-Ring Kit:	223-7195	1609874	1
Piston (Bare):	224-3764X	1723280	1
Piston Pin:	223-1830	8N1608	1
Lock Ring:	223-5507	7E5665	1
Ring Set:	S41890	1W8922	1
5.400 226-2054			
Cylinder Sleeve (Bare):	226-4617X	1979322	1
Sleeve O-Ring Kit:	223-7195	1609874	1
Piston (Bare):	224-3641X	3067460	1
Piston Pin:	223-1952	1807350	1 1
Lock Ring:	223-5531	2502940	1
Ring Set:	S42223	2370194 2380294 2384737	1

CATERPILLAR CYLINDER SLEEVE ASSEMBLY COMPONENT INTERCHANGES

MAHLE

Bore	Part No.	OE Interchange Number	Qty
5.400 226-2057			
Cylinder Sleeve (Bare):	226-4617X	1979322	1
Sleeve O-Ring Kit:	223-7195	1609874	1
Piston (Bare):	224-3750X	1168154	1
Piston Pin:	223-1830	8N1608	1
Lock Ring:	223-5507	7E5665	1
Ring Set:	S41890	1W8922	1
5.750 226-1697			
Cylinder Sleeve (Bare):	226-4465X	8N5676	1
Sleeve O-Ring Kit:	223-7115	5P9221	1
Piston (Bare):	224-3189X	4M9111	1
Piston Pin:	223-1831	7N9809	1
Lock Ring:	223-5505	7M4926	1
Ring Set:	S41822	3S4031	1
5.750 226-1721			
Cylinder Sleeve (Bare):	226-4465X	8N5676	1
Sleeve O-Ring Kit:	223-7115	5P9221	1
Piston (Bare):	224-3185X	7N1366	1
Piston Pin:	223-1831	7N9809	1
Lock Ring:	223-5505	7M4926	1
Ring Set:	S41329	8N5760	1
6.250 226-1690			
Cylinder Sleeve (Bare):	226-4505X	8N9174	1
Sleeve O-Ring Kit:	223-7124	5P8970	1
Piston (Bare):	224-3022X	7N5036	1
Piston Pin:	223-1832	7N9810	1
Lock Ring:	223-5505	7M4926	1
Ring Set:	S41287	1N3601	1
6.250 226-1844			
Cylinder Sleeve (Bare):	226-4505X	8N9174	1
Sleeve O-Ring Kit:	223-7124	5P8970	1
Piston (Bare):	224-3026X	7N4515	1
Piston Pin:	223-1832	7N9810	1
Lock Ring:	223-5505	7M4926	1
Ring Set:	S40538	1W5105 1W6055	1
6.700 226-1976			
Cylinder Sleeve (Bare):	226-4557X	2117826	1
Sleeve O-Ring Kit:	223-7192	6V3774	1
Piston (Bare):	224-3392X	1014140	1
Piston Pin:	223-1840	1388506	1
Lock Ring:	223-5508	8N7296	1
Ring Set:	S42074	7E2899	1

Bore	Part No.	OE Interchange Number	Qty
6.700 226-1977			
Cylinder Sleeve (Bare):	226-4557X	2117826	1
Sleeve O-Ring Kit:	223-7192	6V3774	1
Piston (Bare):	224-3393X	6I4609	1
Piston Pin:	223-1840	1388506	1
Lock Ring:	223-5508	8N7296	1
Ring Set:	S42074	7E2899	1
6.700 226-1978			
Cylinder Sleeve (Bare):	226-4557X	2117826	1
Sleeve O-Ring Kit:	223-7192	6V3774	1
Piston (Bare):	224-3394X	9Y4124	1
Piston Pin:	223-1840	1388506	1
Lock Ring:	223-5508	8N7296	1
Ring Set:	S41832	1N3967	1

VICTOR REINZ
Sealing Products

LEVITE

MAHLE
ORIGINAL

PART NO	LINE #	PAGE
CPL NO. 1		
459-1010	8.1	180
459-5010	8.1	180
459-1183	8.2	180
CPL NO. 2		
459-1010	8.1	180
459-5010	8.1	180
459-1183	8.2	180
CPL NO. 3		
459-1010	8.1	180
459-5010	8.1	180
459-1183	8.2	180
CPL NO. 4		
459-1010	8.1	180
459-5010	8.1	180
459-1183	8.2	180
CPL NO. 5		
459-1010	8.1	180
459-5010	8.1	180
459-1183	8.2	180
CPL NO. 6		
459-1010	8.1	180
459-5010	8.1	180
459-1183	8.2	180
CPL NO. 7		
459-1010	8.1	180
459-5010	8.1	180
459-1183	8.2	180
CPL NO. 8		
459-1010	8.1	180
459-5010	8.1	180
459-1183	8.2	180
CPL NO. 9		
459-1010	8.1	180
459-5010	8.1	180
459-1183	8.2	180
CPL NO. 10		
459-1010	8.1	180
459-5010	8.1	180
459-1183	8.2	180
CPL NO. 11		
459-1010	8.1	180
459-5010	8.1	180
459-1183	8.2	180
CPL NO. 12		
459-1010	8.1	180
459-5010	8.1	180
459-1183	8.2	180

PART NO	LINE #	PAGE
CPL NO. 13		
459-1010	8.1	180
459-5010	8.1	180
459-1183	8.2	180
CPL NO. 14		
459-1029	8.52	190
459-5029	8.52	190
459-1140	8.53	190
CPL NO. 16		
459-1029	8.52	190
459-5029	8.52	190
459-1140	8.53	190
CPL NO. 17		
459-1032	8.56	191
459-5032	8.56	191
459-1143	8.57	191
CPL NO. 18		
459-1029	8.52	190
459-5029	8.52	190
459-1140	8.53	190
CPL NO. 19		
459-1010	8.1	180
459-5010	8.1	180
459-1183	8.2	180
CPL NO. 20		
459-1010	8.1	180
459-5010	8.1	180
459-1183	8.2	180
CPL NO. 21		
459-1010	8.1	180
459-5010	8.1	180
459-1183	8.2	180
CPL NO. 22		
459-1010	8.1	180
459-5010	8.1	180
459-1183	8.2	180
CPL NO. 23		
459-1033	8.59	191
459-5033	8.59	191
459-1146	8.60	191
CPL NO. 24		
459-1029	8.52	190
459-5029	8.52	190
459-1140	8.53	190
CPL NO. 25		
459-1010	8.1	180
459-5010	8.1	180
459-1183	8.2	180

PART NO	LINE #	PAGE
CPL NO. 26		
459-1032	8.56	191
459-5032	8.56	191
459-1143	8.57	191
CPL NO. 69		
459-1010	8.1	180
459-5010	8.1	180
459-1183	8.2	180
CPL NO. 70		
459-1010	8.1	180
459-5010	8.1	180
459-1183	8.2	180
CPL NO. 71		
459-1010	8.1	180
459-5010	8.1	180
459-1183	8.2	180
CPL NO. 75		
459-1010	8.1	180
459-5010	8.1	180
459-1183	8.2	180
CPL NO. 76		
459-1033	8.59	191
459-5033	8.59	191
459-1146	8.60	191
CPL NO. 77		
459-1010	8.1	180
459-5010	8.1	180
459-1183	8.2	180
CPL NO. 85		
459-1010	8.1	180
459-5010	8.1	180
459-1183	8.2	180
CPL NO. 101		
459-1010	8.1	180
459-5010	8.1	180
459-1183	8.2	180
CPL NO. 102		
459-1029	8.52	190
459-5029	8.52	190
459-1140	8.53	190
CPL NO. 104		
459-1029	8.52	190
459-5029	8.52	190
459-1140	8.53	190
CPL NO. 107		
459-1033	8.59	191
459-5033	8.59	191
459-1146	8.60	191

PART NO	LINE #	PAGE
CPL NO. 108		
459-1010	8.1	180
459-5010	8.1	180
459-1183	8.2	180
CPL NO. 109		
459-1010	8.1	180
459-5010	8.1	180
459-1183	8.2	180
CPL NO. 113		
459-1014	8.9	181
459-5014	8.9	181
459-1071	8.10	181
CPL NO. 117		
459-1029	8.52	190
459-5029	8.52	190
459-1140	8.53	190
CPL NO. 120		
459-1010	8.1	180
459-5010	8.1	180
459-1183	8.2	180
CPL NO. 121		
459-1042	8.72	194
459-5042	8.72	194
459-1117	8.73	194
CPL NO. 123		
459-1010	8.1	180
459-5010	8.1	180
459-1183	8.2	180
CPL NO. 132		
459-1010	8.1	180
459-5010	8.1	180
459-1183	8.2	180
CPL NO. 135		
459-1033	8.59	191
459-5033	8.59	191
459-1146	8.60	191
CPL NO. 144		
459-1010	8.1	180
459-5010	8.1	180
459-1183	8.2	180
CPL NO. 146		
459-1010	8.1	180
459-5010	8.1	180
459-1183	8.2	180
CPL NO. 147		
459-1010	8.1	180
459-5010	8.1	180
459-1183	8.2	180

PART NO	LINE #	PAGE
CPL NO. 152		
459-1010	8.1	180
459-5010	8.1	180
459-1183	8.2	180
CPL NO. 154		
459-1010	8.1	180
459-5010	8.1	180
459-1183	8.2	180
CPL NO. 155		
459-1010	8.1	180
459-5010	8.1	180
459-1183	8.2	180
CPL NO. 156		
459-1010	8.1	180
459-5010	8.1	180
459-1183	8.2	180
CPL NO. 160		
459-1010	8.1	180
459-5010	8.1	180
459-1183	8.2	180
CPL NO. 162		
459-1033	8.59	191
459-5033	8.59	191
459-1146	8.60	191
CPL NO. 163		
459-1033	8.59	191
459-5033	8.59	191
459-1146	8.60	191
CPL NO. 164		
459-1032	8.56	191
459-5032	8.56	191
459-1143	8.57	191
CPL NO. 166		
459-1010	8.1	180
459-5010	8.1	180
459-1183	8.2	180
CPL NO. 168		
459-1010	8.1	180
459-5010	8.1	180
459-1183	8.2	180
CPL NO. 170		
459-1032	8.56	191
459-5032	8.56	191
459-1143	8.57	191
CPL NO. 172		
459-1032	8.56	191
459-5032	8.56	191
459-1143	8.57	191

PART NO	LINE #	PAGE
CPL NO. 173		
459-1029	8.52	190
459-5029	8.52	190
459-1140	8.53	190
CPL NO. 174		
459-1010	8.1	180
459-5010	8.1	180
459-1183	8.2	180
CPL NO. 175		
459-1014	8.9	181
459-5014	8.9	181
459-1071	8.10	181
CPL NO. 176		
459-1014	8.9	181
459-5014	8.9	181
459-1071	8.10	181
CPL NO. 178		
459-1014	8.9	181
459-5014	8.9	181
459-1071	8.10	181
CPL NO. 180		
459-1010	8.1	180
459-5010	8.1	180
459-1183	8.2	180
CPL NO. 181		
459-1014	8.9	181
459-5014	8.9	181
459-1071	8.10	181
CPL NO. 182		
459-1010	8.1	180
459-5010	8.1	180
459-1183	8.2	180
CPL NO. 187		
459-1010	8.1	180
459-5010	8.1	180
459-1183	8.2	180
CPL NO. 188		
459-1014	8.9	181
459-5014	8.9	181
459-1071	8.10	181
CPL NO. 189		
459-1014	8.9	181
459-5014	8.9	181
459-1071	8.10	181
CPL NO. 190		
459-1010	8.1	180
459-5010	8.1	180
459-1183	8.2	180

PART NO	LINE #	PAGE
CPL NO. 196		
459-1010	8.1	180
459-5010	8.1	180
459-1183	8.2	180
CPL NO. 197		
459-1010	8.1	180
459-5010	8.1	180
459-1183	8.2	180
CPL NO. 198		
459-1010	8.1	180
459-5010	8.1	180
459-1183	8.2	180
CPL NO. 199		
459-1014	8.9	181
459-5014	8.9	181
459-1071	8.10	181
CPL NO. 200		
459-1032	8.56	191
459-5032	8.56	191
459-1143	8.57	191
CPL NO. 201		
459-1010	8.1	180
459-5010	8.1	180
459-1183	8.2	180
CPL NO. 202		
459-1033	8.59	191
459-5033	8.59	191
459-1146	8.60	191
CPL NO. 204		
459-1010	8.1	180
459-5010	8.1	180
459-1183	8.2	180
CPL NO. 205		
459-1033	8.59	191
459-5033	8.59	191
459-1146	8.60	191
CPL NO. 207		
459-1014	8.9	181
459-5014	8.9	181
459-1071	8.10	181
CPL NO. 214		
459-1032	8.56	191
459-5032	8.56	191
459-1143	8.57	191
CPL NO. 215		
459-1010	8.1	180
459-5010	8.1	180
459-1183	8.2	180

PART NO	LINE #	PAGE
CPL NO. 217		
459-1014	8.9	181
459-5014	8.9	181
459-1071	8.10	181
CPL NO. 221		
459-1014	8.9	181
459-5014	8.9	181
459-1071	8.10	181
CPL NO. 222		
459-1014	8.9	181
459-5014	8.9	181
459-1071	8.10	181
CPL NO. 226		
459-1010	8.1	180
459-5010	8.1	180
459-1183	8.2	180
CPL NO. 227		
459-1010	8.1	180
459-5010	8.1	180
459-1183	8.2	180
CPL NO. 233		
459-1014	8.9	181
459-5014	8.9	181
459-1071	8.10	181
CPL NO. 246		
459-1010	8.1	180
459-5010	8.1	180
459-1183	8.2	180
CPL NO. 248		
459-1010	8.1	180
459-5010	8.1	180
459-1183	8.2	180
CPL NO. 249		
459-1014	8.9	181
459-5014	8.9	181
459-1071	8.10	181
CPL NO. 250		
459-1017	8.21	184
459-5017	8.21	184
459-1080	8.22	184
CPL NO. 254		
459-1017	8.21	184
459-5017	8.21	184
459-1080	8.22	184
CPL NO. 255		
459-1032	8.56	191
459-5032	8.56	191
459-1143	8.57	191

PART NO	LINE #	PAGE
CPL NO. 256		
459-1010	8.1	180
459-5010	8.1	180
459-1183	8.2	180
CPL NO. 258		
459-1032	8.56	191
459-5032	8.56	191
459-1143	8.57	191
CPL NO. 259		
459-1033	8.59	191
459-5033	8.59	191
459-1146	8.60	191
CPL NO. 260		
459-1010	8.1	180
459-5010	8.1	180
459-1183	8.2	180
CPL NO. 266		
459-1017	8.21	184
459-5017	8.21	184
459-1080	8.22	184
CPL NO. 267		
459-1010	8.1	180
459-5010	8.1	180
459-1183	8.2	180
CPL NO. 271		
459-1032	8.56	191
459-5032	8.56	191
459-1143	8.57	191
CPL NO. 272		
459-1033	8.59	191
459-5033	8.59	191
459-1146	8.60	191
CPL NO. 276		
459-1010	8.1	180
459-5010	8.1	180
459-1183	8.2	180
CPL NO. 277		
459-1017	8.21	184
459-5017	8.21	184
459-1080	8.22	184
CPL NO. 278		
459-1010	8.1	180
459-5010	8.1	180
459-1183	8.2	180
CPL NO. 281		
459-1010	8.1	180
459-5010	8.1	180
459-1183	8.2	180

PART NO	LINE #	PAGE
CPL NO. 288		
459-1010	8.1	180
459-5010	8.1	180
459-1183	8.2	180
CPL NO. 294		
459-1017	8.21	184
459-5017	8.21	184
459-1080	8.22	184
CPL NO. 298		
459-1017	8.21	184
459-5017	8.21	184
459-1080	8.22	184
CPL NO. 299		
459-1010	8.1	180
459-5010	8.1	180
459-1183	8.2	180
CPL NO. 300		
459-1010	8.1	180
459-5010	8.1	180
459-1183	8.2	180
CPL NO. 306		
459-1017	8.21	184
459-5017	8.21	184
459-1080	8.22	184
CPL NO. 307		
459-1010	8.1	180
459-5010	8.1	180
459-1183	8.2	180
CPL NO. 308		
459-1010	8.1	180
459-5010	8.1	180
459-1183	8.2	180
CPL NO. 309		
459-1020	8.31	186
459-5020	8.31	186
459-1088	8.32	186
CPL NO. 310		
459-1010	8.1	180
459-5010	8.1	180
459-1183	8.2	180
CPL NO. 312		
459-1032	8.56	191
459-5032	8.56	191
459-1143	8.57	191
CPL NO. 314		
459-1010	8.1	180
459-5010	8.1	180
459-1183	8.2	180

PART NO	LINE #	PAGE
CPL NO. 315		
459-1017	8.21	184
459-5017	8.21	184
459-1080	8.22	184
CPL NO. 316		
459-1033	8.59	191
459-5033	8.59	191
459-1146	8.60	191
CPL NO. 317		
459-1010	8.1	180
459-5010	8.1	180
459-1183	8.2	180
CPL NO. 318		
459-1010	8.1	180
459-5010	8.1	180
459-1183	8.2	180
CPL NO. 319		
459-1033	8.59	191
459-5033	8.59	191
459-1146	8.60	191
CPL NO. 320		
459-1017	8.21	184
459-5017	8.21	184
459-1080	8.22	184
CPL NO. 322		
459-1014	8.9	181
459-5014	8.9	181
459-1071	8.10	181
CPL NO. 323		
459-1014	8.9	181
459-5014	8.9	181
459-1071	8.10	181
CPL NO. 324		
459-1010	8.1	180
459-5010	8.1	180
459-1183	8.2	180
CPL NO. 325		
459-1010	8.1	180
459-5010	8.1	180
459-1183	8.2	180
CPL NO. 326		
459-1010	8.1	180
459-5010	8.1	180
459-1183	8.2	180
CPL NO. 327		
459-1010	8.1	180
459-5010	8.1	180
459-1183	8.2	180

PART NO	LINE #	PAGE
CPL NO. 328		
459-1010	8.1	180
459-5010	8.1	180
459-1183	8.2	180
CPL NO. 329		
459-1010	8.1	180
459-5010	8.1	180
459-1183	8.2	180
CPL NO. 331		
459-1010	8.1	180
459-5010	8.1	180
459-1183	8.2	180
CPL NO. 332		
459-1010	8.1	180
459-5010	8.1	180
459-1183	8.2	180
CPL NO. 338		
459-1017	8.21	184
459-5017	8.21	184
459-1080	8.22	184
CPL NO. 339		
459-1010	8.1	180
459-5010	8.1	180
459-1183	8.2	180
CPL NO. 344		
459-1014	8.9	181
459-5014	8.9	181
459-1071	8.10	181
CPL NO. 345		
459-1014	8.9	181
459-5014	8.9	181
459-1071	8.10	181
CPL NO. 346		
459-1010	8.1	180
459-5010	8.1	180
459-1183	8.2	180
CPL NO. 348		
459-1010	8.1	180
459-5010	8.1	180
459-1183	8.2	180
CPL NO. 349		
459-1010	8.1	180
459-5010	8.1	180
459-1183	8.2	180
CPL NO. 353		
459-1017	8.21	184
459-5017	8.21	184
459-1080	8.22	184

PART NO	LINE #	PAGE
CPL NO. 354		
459-1017	8.21	184
459-5017	8.21	184
459-1080	8.22	184
CPL NO. 356		
459-1017	8.21	184
459-5017	8.21	184
459-1080	8.22	184
CPL NO. 357		
459-1017	8.21	184
459-5017	8.21	184
459-1080	8.22	184
CPL NO. 359		
459-1017	8.21	184
459-5017	8.21	184
459-1080	8.22	184
CPL NO. 360		
459-1010	8.1	180
459-5010	8.1	180
459-1183	8.2	180
CPL NO. 361		
459-1010	8.1	180
459-5010	8.1	180
459-1183	8.2	180
CPL NO. 362		
459-1010	8.1	180
459-5010	8.1	180
459-1183	8.2	180
CPL NO. 363		
459-1010	8.1	180
459-5010	8.1	180
459-1183	8.2	180
CPL NO. 364		
459-1010	8.1	180
459-5010	8.1	180
459-1183	8.2	180
CPL NO. 365		
459-1010	8.1	180
459-5010	8.1	180
459-1183	8.2	180
CPL NO. 366		
459-1010	8.1	180
459-5010	8.1	180
459-1183	8.2	180
CPL NO. 369		
459-1010	8.1	180
459-5010	8.1	180
459-1183	8.2	180

PART NO	LINE #	PAGE
CPL NO. 370		
459-1010	8.1	180
459-5010	8.1	180
459-1183	8.2	180
CPL NO. 371		
459-1014	8.9	181
459-5014	8.9	181
459-1071	8.10	181
CPL NO. 372		
459-1014	8.9	181
459-5014	8.9	181
459-1071	8.10	181
CPL NO. 373		
459-1014	8.9	181
459-5014	8.9	181
459-1071	8.10	181
CPL NO. 374		
459-1014	8.9	181
459-5014	8.9	181
459-1071	8.10	181
CPL NO. 375		
459-1010	8.1	180
459-5010	8.1	180
459-1183	8.2	180
CPL NO. 376		
459-1010	8.1	180
459-5010	8.1	180
459-1183	8.2	180
CPL NO. 377		
459-1017	8.21	184
459-5017	8.21	184
459-1080	8.22	184
CPL NO. 380		
459-1017	8.21	184
459-5017	8.21	184
459-1080	8.22	184
CPL NO. 381		
459-1017	8.21	184
459-5017	8.21	184
459-1080	8.22	184
CPL NO. 382		
459-1010	8.1	180
459-5010	8.1	180
459-1183	8.2	180
CPL NO. 384		
459-1010	8.1	180
459-5010	8.1	180
459-1183	8.2	180

PART NO	LINE #	PAGE
CPL NO. 391		
459-1010	8.1	180
459-5010	8.1	180
459-1183	8.2	180
CPL NO. 392		
459-1010	8.1	180
459-5010	8.1	180
459-1183	8.2	180
CPL NO. 393		
459-1010	8.1	180
459-5010	8.1	180
459-1183	8.2	180
CPL NO. 394		
459-1010	8.1	180
459-5010	8.1	180
459-1183	8.2	180
CPL NO. 395		
459-1010	8.1	180
459-5010	8.1	180
459-1183	8.2	180
CPL NO. 396		
459-1017	8.21	184
459-5017	8.21	184
459-1080	8.22	184
CPL NO. 397		
459-1017	8.21	184
459-5017	8.21	184
459-1080	8.22	184
CPL NO. 402		
459-1017	8.21	184
459-5017	8.21	184
459-1080	8.22	184
CPL NO. 413		
459-1032	8.56	191
459-5032	8.56	191
459-1143	8.57	191
CPL NO. 414		
459-1017	8.21	184
459-5017	8.21	184
459-1080	8.22	184
CPL NO. 416		
459-1033	8.59	191
459-5033	8.59	191
459-1146	8.60	191
CPL NO. 419		
459-1010	8.1	180
459-5010	8.1	180
459-1183	8.2	180

PART NO	LINE #	PAGE
CPL NO. 431		
459-1010	8.1	180
459-5010	8.1	180
459-1183	8.2	180
CPL NO. 432		
459-1017	8.21	184
459-5017	8.21	184
459-1080	8.22	184
CPL NO. 433		
459-1017	8.21	184
459-5017	8.21	184
459-1080	8.22	184
CPL NO. 435		
459-1010	8.1	180
459-5010	8.1	180
459-1183	8.2	180
CPL NO. 436		
459-1010	8.1	180
459-5010	8.1	180
459-1183	8.2	180
CPL NO. 437		
459-1032	8.56	191
459-5032	8.56	191
459-1143	8.57	191
CPL NO. 448		
459-1032	8.56	191
459-5032	8.56	191
459-1143	8.57	191
CPL NO. 449		
459-1023	8.43	188
459-5023	8.43	188
459-1103	8.44	188
CPL NO. 450		
459-1010	8.1	180
459-5010	8.1	180
459-1183	8.2	180
CPL NO. 454		
459-1010	8.1	180
459-5010	8.1	180
459-1183	8.2	180
CPL NO. 455		
459-1010	8.1	180
459-5010	8.1	180
459-1183	8.2	180
CPL NO. 456		
459-1017	8.21	184
459-5017	8.21	184
459-1080	8.22	184



PART NO	LINE #	PAGE
CPL NO. 457		
459-1010	8.1	180
459-5010	8.1	180
459-1183	8.2	180
CPL NO. 458		
459-1010	8.1	180
459-5010	8.1	180
459-1183	8.2	180
CPL NO. 459		
459-1017	8.21	184
459-5017	8.21	184
459-1080	8.22	184
CPL NO. 460		
459-1017	8.21	184
459-5017	8.21	184
459-1080	8.22	184
CPL NO. 461		
459-1017	8.21	184
459-5017	8.21	184
459-1080	8.22	184
CPL NO. 462		
459-1010	8.1	180
459-5010	8.1	180
459-1183	8.2	180
CPL NO. 463		
459-1010	8.1	180
459-5010	8.1	180
459-1183	8.2	180
CPL NO. 469		
459-1010	8.1	180
459-5010	8.1	180
459-1183	8.2	180
CPL NO. 470		
459-1010	8.1	180
459-5010	8.1	180
459-1183	8.2	180
CPL NO. 471		
459-1042	8.72	194
459-5042	8.72	194
459-1117	8.73	194
CPL NO. 472		
459-1017	8.21	184
459-5017	8.21	184
459-1080	8.22	184
CPL NO. 473		
459-1017	8.21	184
459-5017	8.21	184
459-1080	8.22	184

PART NO	LINE #	PAGE
CPL NO. 479		
459-1017	8.21	184
459-5017	8.21	184
459-1080	8.22	184
CPL NO. 481		
459-1023	8.43	188
459-5023	8.43	188
459-1103	8.44	188
CPL NO. 482		
459-1023	8.43	188
459-5023	8.43	188
459-1103	8.44	188
CPL NO. 483		
459-1010	8.1	180
459-5010	8.1	180
459-1183	8.2	180
CPL NO. 485		
459-1017	8.21	184
459-5017	8.21	184
459-1080	8.22	184
CPL NO. 491		
459-1017	8.21	184
459-5017	8.21	184
459-1080	8.22	184
CPL NO. 492		
459-1017	8.21	184
459-5017	8.21	184
459-1080	8.22	184
CPL NO. 494		
459-1017	8.21	184
459-5017	8.21	184
459-1080	8.22	184
CPL NO. 495		
459-1010	8.1	180
459-5010	8.1	180
459-1183	8.2	180
CPL NO. 498		
459-1032	8.56	191
459-5032	8.56	191
459-1143	8.57	191
CPL NO. 499		
459-1017	8.21	184
459-5017	8.21	184
459-1080	8.22	184
CPL NO. 500		
459-1023	8.43	188
459-5023	8.43	188
459-1103	8.44	188

PART NO	LINE #	PAGE
CPL NO. 506		
459-1042	8.72	194
459-5042	8.72	194
459-1117	8.73	194
CPL NO. 509		
459-1010	8.1	180
459-5010	8.1	180
459-1183	8.2	180
CPL NO. 510		
459-1023	8.43	188
459-5023	8.43	188
459-1103	8.44	188
CPL NO. 511		
459-1010	8.1	180
459-5010	8.1	180
459-1183	8.2	180
CPL NO. 516		
459-1010	8.1	180
459-5010	8.1	180
459-1183	8.2	180
CPL NO. 517		
459-1017	8.21	184
459-5017	8.21	184
459-1080	8.22	184
CPL NO. 527		
459-5414	6.1	175
459-5415	6.2	176
459-1416	6.3	176
459-5416	6.3	176
459-1431	6.7	177
459-5431	6.7	177
459-1432	6.8	177
459-5432	6.8	177
459-1433	6.9	177
459-5433	6.9	177
CPL NO. 528		
459-5414	6.1	175
459-5415	6.2	176
459-1416	6.3	176
459-5416	6.3	176
459-1431	6.7	177
459-5431	6.7	177
459-1432	6.8	177
459-5432	6.8	177
459-1433	6.9	177
459-5433	6.9	177
CPL NO. 529		
459-1042	8.72	194

PART NO	LINE #	PAGE
CPL NO. 529 (cont.)		
459-5042	8.72	194
459-1117	8.73	194
CPL NO. 530		
459-1010	8.1	180
459-5010	8.1	180
459-1183	8.2	180
CPL NO. 531		
459-1052	8.91	198
459-5052	8.91	198
459-1132	8.92	198
CPL NO. 534		
459-5414	6.1	175
459-5415	6.2	176
459-1416	6.3	176
459-5416	6.3	176
459-1431	6.7	177
459-5431	6.7	177
459-1432	6.8	177
459-5432	6.8	177
459-1433	6.9	177
459-5433	6.9	177
CPL NO. 535		
459-5414	6.1	175
459-5415	6.2	176
459-1416	6.3	176
459-5416	6.3	176
459-1431	6.7	177
459-5431	6.7	177
459-1432	6.8	177
459-5432	6.8	177
459-1433	6.9	177
459-5433	6.9	177
CPL NO. 536		
459-1017	8.21	184
459-5017	8.21	184
459-1080	8.22	184
CPL NO. 537		
459-1032	8.56	191
459-5032	8.56	191
459-1143	8.57	191
CPL NO. 538		
459-1017	8.21	184
459-5017	8.21	184
459-1080	8.22	184
CPL NO. 539		
459-1010	8.1	180
459-5010	8.1	180

PART NO	LINE #	PAGE
CPL NO. 979 (cont.)		
459-5433	6.9	177
CPL NO. 980		
459-5417	6.4	176
459-5418	6.5	176
459-1419	6.6	177
459-5419	6.6	177
459-1434	6.10	178
459-5434	6.10	178
459-1441	6.11	178
459-5435	6.11	178
459-1436	6.12	178
459-5436	6.12	178
CPL NO. 988		
459-1059	8.101	200
459-5059	8.101	200
459-1154	8.102	200
CPL NO. 991		
459-1052	8.91	198
459-5052	8.91	198
459-1132	8.92	198
CPL NO. 995		
459-5417	6.4	176
459-5418	6.5	176
459-1419	6.6	177
459-5419	6.6	177
459-1434	6.10	178
459-5434	6.10	178
459-1441	6.11	178
459-5435	6.11	178
459-1436	6.12	178
459-5436	6.12	178
CPL NO. 996		
459-5417	6.4	176
459-5418	6.5	176
459-1419	6.6	177
459-5419	6.6	177
459-1434	6.10	178
459-5434	6.10	178
459-1441	6.11	178
459-5435	6.11	178
459-1436	6.12	178
459-5436	6.12	178
CPL NO. 1164		
459-5414	6.1	175
459-5415	6.2	176
459-1416	6.3	176
459-5416	6.3	176

PART NO	LINE #	PAGE
CPL NO. 1164 (cont.)		
459-1431	6.7	177
459-5431	6.7	177
459-1432	6.8	177
459-5432	6.8	177
459-1433	6.9	177
459-5433	6.9	177
CPL NO. 1167		
459-1023	8.43	188
459-5023	8.43	188
459-1103	8.44	188
CPL NO. 1171		
459-1023	8.43	188
459-5023	8.43	188
459-1103	8.44	188
CPL NO. 1179		
459-1023	8.43	188
459-5023	8.43	188
459-1103	8.44	188
CPL NO. 1181		
459-1010	8.1	180
459-5010	8.1	180
459-1183	8.2	180
CPL NO. 1183		
459-1023	8.43	188
459-5023	8.43	188
459-1103	8.44	188
CPL NO. 1185		
459-1272	8.178	215
459-5272	8.178	215
459-1274	8.179	215
459-5274	8.179	215
CPL NO. 1186		
459-1046	8.82	196
459-5046	8.82	196
459-1450	8.83	196
CPL NO. 1187		
459-1230	8.161	212
459-5230	8.161	212
459-1231	8.162	212
CPL NO. 1188		
459-1272	8.178	215
459-5272	8.178	215
459-1274	8.179	215
459-5274	8.179	215
CPL NO. 1193		
459-1052	8.91	198
459-5052	8.91	198

PART NO	LINE #	PAGE
CPL NO. 1193 (cont.)		
459-1132	8.92	198
CPL NO. 1194		
459-1023	8.43	188
459-5023	8.43	188
459-1103	8.44	188
CPL NO. 1197		
459-1023	8.43	188
459-5023	8.43	188
459-1103	8.44	188
CPL NO. 1198		
459-5414	6.1	175
459-5415	6.2	176
459-1416	6.3	176
459-5416	6.3	176
459-1431	6.7	177
459-5431	6.7	177
459-1432	6.8	177
459-5432	6.8	177
459-1433	6.9	177
459-5433	6.9	177
CPL NO. 1204		
459-1010	8.1	180
459-5010	8.1	180
459-1183	8.2	180
CPL NO. 1205		
459-1017	8.21	184
459-5017	8.21	184
459-1080	8.22	184
CPL NO. 1208		
459-5414	6.1	175
459-5415	6.2	176
459-1416	6.3	176
459-5416	6.3	176
459-1431	6.7	177
459-5431	6.7	177
459-1432	6.8	177
459-5432	6.8	177
459-1433	6.9	177
459-5433	6.9	177
CPL NO. 1211		
459-1272	8.178	215
459-5272	8.178	215
459-1274	8.179	215
459-5274	8.179	215
CPL NO. 1215		
459-1046	8.82	196
459-5046	8.82	196

PART NO	LINE #	PAGE
CPL NO. 1215 (cont.)		
459-1450	8.83	196
CPL NO. 1223		
459-5417	6.4	176
459-5418	6.5	176
459-1419	6.6	177
459-5419	6.6	177
459-1434	6.10	178
459-5434	6.10	178
459-1441	6.11	178
459-5435	6.11	178
459-1436	6.12	178
459-5436	6.12	178
CPL NO. 1224		
459-5417	6.4	176
459-5418	6.5	176
459-1419	6.6	177
459-5419	6.6	177
459-1434	6.10	178
459-5434	6.10	178
459-1441	6.11	178
459-5435	6.11	178
459-1436	6.12	178
459-5436	6.12	178
CPL NO. 1225		
459-5417	6.4	176
459-5418	6.5	176
459-1419	6.6	177
459-5419	6.6	177
459-1434	6.10	178
459-5434	6.10	178
459-1441	6.11	178
459-5435	6.11	178
459-1436	6.12	178
459-5436	6.12	178
CPL NO. 1226		
459-5417	6.4	176
459-5418	6.5	176
459-1419	6.6	177
459-5419	6.6	177
459-1434	6.10	178
459-5434	6.10	178
459-1441	6.11	178
459-5435	6.11	178
459-1436	6.12	178
459-5436	6.12	178
CPL NO. 1234		
459-5414	6.1	175

PART NO	LINE #	PAGE
CPL NO. 1441 (cont.)		
459-5434	6.10	178
459-1441	6.11	178
459-5435	6.11	178
459-1436	6.12	178
459-5436	6.12	178
CPL NO. 1442		
459-5417	6.4	176
459-5418	6.5	176
459-1419	6.6	177
459-5419	6.6	177
459-1434	6.10	178
459-5434	6.10	178
459-1441	6.11	178
459-5435	6.11	178
459-1436	6.12	178
459-5436	6.12	178
CPL NO. 1443		
459-5414	6.1	175
459-5415	6.2	176
459-1416	6.3	176
459-5416	6.3	176
459-1431	6.7	177
459-5431	6.7	177
459-1432	6.8	177
459-5432	6.8	177
459-1433	6.9	177
459-5433	6.9	177
CPL NO. 1444		
459-5414	6.1	175
459-5415	6.2	176
459-1416	6.3	176
459-5416	6.3	176
459-1431	6.7	177
459-5431	6.7	177
459-1432	6.8	177
459-5432	6.8	177
459-1433	6.9	177
459-5433	6.9	177
CPL NO. 1453		
459-5414	6.1	175
459-5415	6.2	176
459-1416	6.3	176
459-5416	6.3	176
459-1431	6.7	177
459-5431	6.7	177
459-1432	6.8	177
459-5432	6.8	177

PART NO	LINE #	PAGE
CPL NO. 1453 (cont.)		
459-1433	6.9	177
459-5433	6.9	177
CPL NO. 1459		
459-5414	6.1	175
459-5415	6.2	176
459-1416	6.3	176
459-5416	6.3	176
459-1431	6.7	177
459-5431	6.7	177
459-1432	6.8	177
459-5432	6.8	177
459-1433	6.9	177
459-5433	6.9	177
CPL NO. 1502		
459-1064	8.106	201
459-5064	8.106	201
459-1167	8.107	201
CPL NO. 1546		
459-1064	8.106	201
459-5064	8.106	201
459-1167	8.107	201
CPL NO. 1557		
459-1052	8.91	198
459-5052	8.91	198
459-1132	8.92	198
CPL NO. 1615		
459-1424	4.1	172
459-5424	4.1	172
459-1426	4.2	172
459-5426	4.2	172
459-1423	5.1	173
459-5423	5.1	173
459-1425	5.2	173
459-5425	5.2	173
CPL NO. 1618		
459-1424	4.1	172
459-5424	4.1	172
459-1426	4.2	172
459-5426	4.2	172
459-1423	5.1	173
459-5423	5.1	173
459-1425	5.2	173
459-5425	5.2	173
CPL NO. 1619		
459-5417	6.4	176
459-5418	6.5	176
459-1419	6.6	177

PART NO	LINE #	PAGE
CPL NO. 1619 (cont.)		
459-5419	6.6	177
459-1434	6.10	178
459-5434	6.10	178
459-1441	6.11	178
459-5435	6.11	178
459-1436	6.12	178
459-5436	6.12	178
CPL NO. 1620		
459-5417	6.4	176
459-5418	6.5	176
459-1419	6.6	177
459-5419	6.6	177
459-1434	6.10	178
459-5434	6.10	178
459-1441	6.11	178
459-5435	6.11	178
459-1436	6.12	178
459-5436	6.12	178
CPL NO. 1621		
459-5417	6.4	176
459-5418	6.5	176
459-1419	6.6	177
459-5419	6.6	177
459-1434	6.10	178
459-5434	6.10	178
459-1441	6.11	178
459-5435	6.11	178
459-1436	6.12	178
459-5436	6.12	178
CPL NO. 1622		
459-5417	6.4	176
459-5418	6.5	176
459-1419	6.6	177
459-5419	6.6	177
459-1434	6.10	178
459-5434	6.10	178
459-1441	6.11	178
459-5435	6.11	178
459-1436	6.12	178
459-5436	6.12	178
CPL NO. 1623		
459-5417	6.4	176
459-5418	6.5	176
459-1419	6.6	177
459-5419	6.6	177
459-1434	6.10	178
459-5434	6.10	178

PART NO	LINE #	PAGE
CPL NO. 1623 (cont.)		
459-1441	6.11	178
459-5435	6.11	178
459-1436	6.12	178
459-5436	6.12	178
CPL NO. 1624		
459-5417	6.4	176
459-5418	6.5	176
459-1419	6.6	177
459-5419	6.6	177
459-1434	6.10	178
459-5434	6.10	178
459-1441	6.11	178
459-5435	6.11	178
459-1436	6.12	178
459-5436	6.12	178
CPL NO. 1625		
459-5417	6.4	176
459-5418	6.5	176
459-1419	6.6	177
459-5419	6.6	177
459-1434	6.10	178
459-5434	6.10	178
459-1441	6.11	178
459-5435	6.11	178
459-1436	6.12	178
459-5436	6.12	178
CPL NO. 1648		
459-5417	6.4	176
459-5418	6.5	176
459-1419	6.6	177
459-5419	6.6	177
459-1434	6.10	178
459-5434	6.10	178
459-1441	6.11	178
459-5435	6.11	178
459-1436	6.12	178
459-5436	6.12	178
CPL NO. 1660		
459-5414	6.1	175
459-5415	6.2	176
459-1416	6.3	176
459-5416	6.3	176
459-1431	6.7	177
459-5431	6.7	177
459-1432	6.8	177
459-5432	6.8	177
459-1433	6.9	177

PART NO	LINE #	PAGE
CPL NO. 1900 (cont.)		
459-5414	6.1	175
459-5415	6.2	176
459-1416	6.3	176
459-5416	6.3	176
459-1431	6.7	177
459-5431	6.7	177
459-1432	6.8	177
459-5432	6.8	177
459-1433	6.9	177
459-5433	6.9	177
CPL NO. 1921		
459-1483	9.23	230
459-5443	9.23	230
459-1484	9.24	230
CPL NO. 1924		
459-1483	9.23	230
459-5443	9.23	230
459-1484	9.24	230
CPL NO. 1943		
459-1430	4.4	173
459-5430	4.4	173
459-1429	5.4	174
459-5429	5.4	174
CPL NO. 1949		
459-1430	4.4	173
459-5430	4.4	173
459-1429	5.4	174
459-5429	5.4	174
CPL NO. 1987		
459-1483	9.23	230
459-5443	9.23	230
459-1484	9.24	230
CPL NO. 2003		
459-1483	9.23	230
459-5443	9.23	230
459-1484	9.24	230
CPL NO. 2007		
459-1430	4.4	173
459-5430	4.4	173
459-1429	5.4	174
459-5429	5.4	174
CPL NO. 2025		
459-1483	9.23	230
459-5443	9.23	230
459-1484	9.24	230
CPL NO. 2026		
459-1467	9.7	227

PART NO	LINE #	PAGE
CPL NO. 2026 (cont.)		
459-5441	9.7	227
459-1468	9.8	227
CPL NO. 2027		
459-1475	9.15	228
459-5442	9.15	228
459-1476	9.16	229
CPL NO. 2033		
459-1483	9.23	230
459-5443	9.23	230
459-1484	9.24	230
CPL NO. 2034		
459-1430	4.4	173
459-5430	4.4	173
459-1429	5.4	174
459-5429	5.4	174
CPL NO. 2038		
459-1475	9.15	228
459-5442	9.15	228
459-1476	9.16	229
CPL NO. 2054		
459-1430	4.4	173
459-5430	4.4	173
459-1429	5.4	174
459-5429	5.4	174
CPL NO. 2055		
459-1430	4.4	173
459-5430	4.4	173
459-1429	5.4	174
459-5429	5.4	174
CPL NO. 2056		
459-1430	4.4	173
459-5430	4.4	173
459-1429	5.4	174
459-5429	5.4	174
CPL NO. 2057		
459-1430	4.4	173
459-5430	4.4	173
459-1429	5.4	174
459-5429	5.4	174
CPL NO. 2060		
459-1430	4.4	173
459-5430	4.4	173
459-1429	5.4	174
459-5429	5.4	174
CPL NO. 2061		
459-1430	4.4	173
459-5430	4.4	173

PART NO	LINE #	PAGE
CPL NO. 2061 (cont.)		
459-1429	5.4	174
459-5429	5.4	174
CPL NO. 2062		
459-1430	4.4	173
459-5430	4.4	173
459-1429	5.4	174
459-5429	5.4	174
CPL NO. 2082		
459-1430	4.4	173
459-5430	4.4	173
459-1429	5.4	174
459-5429	5.4	174
CPL NO. 2100		
459-1424	4.1	172
459-5424	4.1	172
459-1426	4.2	172
459-5426	4.2	172
459-1423	5.1	173
459-5423	5.1	173
459-1425	5.2	173
459-5425	5.2	173
CPL NO. 2118		
459-1430	4.4	173
459-5430	4.4	173
459-1429	5.4	174
459-5429	5.4	174
CPL NO. 2120		
459-1430	4.4	173
459-5430	4.4	173
459-1429	5.4	174
459-5429	5.4	174
CPL NO. 2126		
459-1430	4.4	173
459-5430	4.4	173
459-1429	5.4	174
459-5429	5.4	174
CPL NO. 2143		
459-1483	9.23	230
459-5443	9.23	230
459-1484	9.24	230
CPL NO. 2185		
459-1430	4.4	173
459-5430	4.4	173
459-1429	5.4	174
459-5429	5.4	174
CPL NO. 2196		
459-1430	4.4	173

PART NO	LINE #	PAGE
CPL NO. 2196 (cont.)		
459-5430	4.4	173
459-1429	5.4	174
459-5429	5.4	174
CPL NO. 2216		
459-1430	4.4	173
459-5430	4.4	173
459-1429	5.4	174
459-5429	5.4	174
CPL NO. 2218		
459-1430	4.4	173
459-5430	4.4	173
459-1429	5.4	174
459-5429	5.4	174
CPL NO. 2219		
459-1430	4.4	173
459-5430	4.4	173
459-1429	5.4	174
459-5429	5.4	174
CPL NO. 2250		
459-1430	4.4	173
459-5430	4.4	173
459-1429	5.4	174
459-5429	5.4	174
CPL NO. 2261		
459-1483	9.23	230
459-5443	9.23	230
459-1484	9.24	230
CPL NO. 2287		
459-1483	9.23	230
459-5443	9.23	230
459-1484	9.24	230
CPL NO. 2306		
459-1483	9.23	230
459-5443	9.23	230
459-1484	9.24	230
CPL NO. 2307		
459-1430	4.4	173
459-5430	4.4	173
459-1429	5.4	174
459-5429	5.4	174
CPL NO. 2330		
459-1475	9.15	228
459-5442	9.15	228
459-1476	9.16	229
CPL NO. 2367		
459-1424	4.1	172
459-5424	4.1	172

PART NO	LINE #	PAGE
CPL NO. 2367 (cont.)		
459-1426	4.2	172
459-5426	4.2	172
459-1423	5.1	173
459-5423	5.1	173
459-1425	5.2	173
459-5425	5.2	173
CPL NO. 2368		
459-1424	4.1	172
459-5424	4.1	172
459-1426	4.2	172
459-5426	4.2	172
459-1423	5.1	173
459-5423	5.1	173
459-1425	5.2	173
459-5425	5.2	173
CPL NO. 2388		
459-1483	9.23	230
459-5443	9.23	230
459-1484	9.24	230
CPL NO. 2389		
459-1475	9.15	228
459-5442	9.15	228
459-1476	9.16	229
CPL NO. 2390		
459-1483	9.23	230
459-5443	9.23	230
459-1484	9.24	230
CPL NO. 2391		
459-1483	9.23	230
459-5443	9.23	230
459-1484	9.24	230
CPL NO. 2398		
459-1467	9.7	227
459-5441	9.7	227
459-1468	9.8	227
CPL NO. 2403		
459-1483	9.23	230
459-5443	9.23	230
459-1484	9.24	230
CPL NO. 2453		
459-1483	9.23	230
459-5443	9.23	230
459-1484	9.24	230
CPL NO. 2492		
459-1483	9.23	230
459-5443	9.23	230
459-1484	9.24	230

PART NO	LINE #	PAGE
CPL NO. 2529		
459-1483	9.23	230
459-5443	9.23	230
459-1484	9.24	230
CPL NO. 2531		
459-1424	4.1	172
459-5424	4.1	172
459-1426	4.2	172
459-5426	4.2	172
459-1423	5.1	173
459-5423	5.1	173
459-1425	5.2	173
459-5425	5.2	173
CPL NO. 2549		
459-1430	4.4	173
459-5430	4.4	173
459-1429	5.4	174
459-5429	5.4	174
CPL NO. 2590		
459-1475	9.15	228
459-5442	9.15	228
459-1476	9.16	229
CPL NO. 2591		
459-1483	9.23	230
459-5443	9.23	230
459-1484	9.24	230
CPL NO. 2592		
459-1483	9.23	230
459-5443	9.23	230
459-1484	9.24	230
CPL NO. 2642		
459-1430	4.4	173
459-5430	4.4	173
459-1429	5.4	174
459-5429	5.4	174
CPL NO. 2659		
459-1483	9.23	230
459-5443	9.23	230
459-1484	9.24	230
CPL NO. 2664		
459-1430	4.4	173
459-5430	4.4	173
459-1429	5.4	174
459-5429	5.4	174
CPL NO. 2833		
459-1430	4.4	173
459-5430	4.4	173
459-1429	5.4	174

PART NO	LINE #	PAGE
CPL NO. 2833 (cont.)		
459-5429	5.4	174
CPL NO. 2861		
459-1483	9.23	230
459-5443	9.23	230
459-1484	9.24	230
CPL NO. 2862		
459-1483	9.23	230
459-5443	9.23	230
459-1484	9.24	230
CPL NO. 2873		
459-1430	4.4	173
459-5430	4.4	173
459-1429	5.4	174
459-5429	5.4	174
CPL NO. 2874		
459-1430	4.4	173
459-5430	4.4	173
459-1429	5.4	174
459-5429	5.4	174
CPL NO. 2894		
459-1430	4.4	173
459-5430	4.4	173
459-1429	5.4	174
459-5429	5.4	174
CPL NO. 2898		
459-1475	9.15	228
459-5442	9.15	228
459-1476	9.16	229
CPL NO. 2951		
459-1430	4.4	173
459-5430	4.4	173
459-1429	5.4	174
459-5429	5.4	174
CPL NO. 2995		
459-1424	4.1	172
459-5424	4.1	172
459-1426	4.2	172
459-5426	4.2	172
459-1423	5.1	173
459-5423	5.1	173
459-1425	5.2	173
459-5425	5.2	173

Model	Series	No. Cyls.	CID	Liter	Bore / Stroke	Line No.
4 B 3.9	4B	4	239	3.9	4 / 4.7	1
4 BT 3.9	4B	4	239	3.9	4 / 4.7	1
4 BTA 3.9	4B	4	239	3.9	4 / 4.7	1
6 BTA 5.9	6B	6	359	5.9	4 / 4.7	2
ISB-235	ISB	6	359	5.9	4 / 4.7	3
6 BT5.9	6B	6	359	5.9	4 / 4.7	2
6 B 5.9	6B	6	359	5.9	4 / 4.7	2
ISC		6	505	8.3	4.5 / 5.3	4
6 CTA 8.3	C	6	505	8.3	4.5 / 5.3	5
L10	L	6	611	10	4.9 / 5.4	6
NT855 Series	NT	6	855	14	5.5 / 6	8
N14	N14	6	855	14	5.5 / 6	9
NT420	NT	6	855	14	5.5 / 6	8
NT855-310	NT	6	855	14	5.5 / 6	8
NT855-210	NT	6	855	14	5.5 / 6	8
NT855B335	NT	6	855	14	5.5 / 6	8
NT855B310	NT	6	855	14	5.5 / 6	8
NT855C	NT	6	855	14	5.5 / 6	8
NT855B380	NT	6	855	14	5.5 / 6	8
NT855C250	NT	6	855	14	5.5 / 6	8
NT855C280	NT	6	855	14	5.5 / 6	8
NT855C335	NT	6	855	14	5.5 / 6	8
NT855C310	NT	6	855	14	5.5 / 6	8
NT855F1	NT	6	855	14	5.5 / 6	8
NT855C380	NT	6	855	14	5.5 / 6	8
NT855F3	NT	6	855	14	5.5 / 6	8
NT855F2	NT	6	855	14	5.5 / 6	8
NTE 370	NT	6	855	14	5.5 / 6	8
NTE 400	NT	6	855	14	5.5 / 6	8
NT270	NT	6	855	14	5.5 / 6	8
NT270GC	NT	6	855	14	5.5 / 6	8
NT270GS	NT	6	855	14	5.5 / 6	8
NTE 290	NT	6	855	14	5.5 / 6	8
NT320	NT	6	855	14	5.5 / 6	8
NT370	NT	6	855	14	5.5 / 6	8
NT400	NT	6	855	14	5.5 / 6	8
NT		6	855	14	5.5 / 6	8
NTA855C	NT	6	855	14	5.5 / 6	8
NTA855-450	NT	6	855	14	5.5 / 6	8
NTA855-420	NT	6	855	14	5.5 / 6	8
NTA855-400	NT	6	855	14	5.5 / 6	8
NTA855C420	NT	6	855	14	5.5 / 6	8
NTA855C400	NT	6	855	14	5.5 / 6	8
N927		6	855	14	5.5 / 6	8
NTA855C380	NT	6	855	14	5.5 / 6	8
NTA855C360	NT	6	855	14	5.5 / 6	8
NTA855L	NT	6	855	14	5.5 / 6	8
NTA855GS	NT	6	855	14	5.5 / 6	8
NTA855GC	NT	6	855	14	5.5 / 6	8

Model	Series	No. Cyls.	CID	Liter	Bore / Stroke	Line No.
NTA855F	NT	6	855	14	5.5 / 6	8
NTA855L400	NT	6	855	14	5.5 / 6	8
NTA855L4	NT	6	855	14	5.5 / 6	8
NTA855L3 (400)	NT	6	855	14	5.5 / 6	8
NTA855L3	NT	6	855	14	5.5 / 6	8
NT855L335	NT	6	855	14	5.5 / 6	8
NT855L4 (335)	NT	6	855	14	5.5 / 6	8
NT855F4	NT	6	855	14	5.5 / 6	8
NT855L	NT	6	855	14	5.5 / 6	8
NT855P280	NT	6	855	14	5.5 / 6	8
NT855P310	NT	6	855	14	5.5 / 6	8
NT855M	NT	6	855	14	5.5 / 6	8
NT855P	NT	6	855	14	5.5 / 6	8
NT855R	NT	6	855	14	5.5 / 6	8
NT855R1	NT	6	855	14	5.5 / 6	8
NT855P335	NT	6	855	14	5.5 / 6	8
NT855P380	NT	6	855	14	5.5 / 6	8
NTA400	NT	6	855	14	5.5 / 6	8
NTA855	NT	6	855	14	5.5 / 6	8
NT855R2	NT	6	855	14	5.5 / 6	8
NT855R4	NT	6	855	14	5.5 / 6	8
NTCC290 Formula	NT	6	855	14	5.5 / 6	8
NTCC290	NT	6	855	14	5.5 / 6	8
NTCC300 Formula	NT	6	855	14	5.5 / 6	8
NTCC300	NT	6	855	14	5.5 / 6	8
NTCC240	NT	6	855	14	5.5 / 6	8
NTCC230	NT	6	855	14	5.5 / 6	8
NTCC280	NT	6	855	14	5.5 / 6	8
NTCC250	NT	6	855	14	5.5 / 6	8
NTCE240	NT	6	855	14	5.5 / 6	8
NTCE Series	NT	6	855	14	5.5 / 6	8
NTCE290	NT	6	855	14	5.5 / 6	8
NTCE250	NT	6	855	14	5.5 / 6	8
NTCC350	NT	6	855	14	5.5 / 6	8
NTCC335	NT	6	855	14	5.5 / 6	8
NTCC400	NT	6	855	14	5.5 / 6	8
NTCC350 Formula	NT	6	855	14	5.5 / 6	8
NTA855R	NT	6	855	14	5.5 / 6	8
NTAG	NT	6	855	14	5.5 / 6	8
NTAGC	NT	6	855	14	5.5 / 6	8
NTAGS	NT	6	855	14	5.5 / 6	8
NTA855M	NT	6	855	14	5.5 / 6	8
NTA855P	NT	6	855	14	5.5 / 6	8
NTA855P360	NT	6	855	14	5.5 / 6	8
NTA855P400	NT	6	855	14	5.5 / 6	8
NTC444	NT	6	855	14	5.5 / 6	8
NTC855	NT	6	855	14	5.5 / 6	8



Model	Series	No. Cyls.	CID	Liter	Bore / Stroke	Line No.
NTC855P335	NT	6	855	14	5.5 / 6	8
NTCC Series	NT	6	855	14	5.5 / 6	8
NTC240	NT	6	855	14	5.5 / 6	8
NTC310	NT	6	855	14	5.5 / 6	8
NTC320	NT	6	855	14	5.5 / 6	8
NTC425	NT	6	855	14	5.5 / 6	8
NTO280	NT	6	855	14	5.5 / 6	8
SUPER 270	NT	6	855	14	5.5 / 6	8
SUPER 250	NT	6	855	14	5.5 / 6	8
NT4	NT	6	855	14	5.5 / 6	8
NTO262	NT	6	855	14	5.5 / 6	8
NTE235	NT	6	855	14	5.5 / 6	8
NT743	NT	6	855	14	5.5 / 6	8
NT6	NT	6	855	14	5.5 / 6	8
NTF255-255 hp	NT	6	855	14	5.5 / 6	8
NTF295	NT	6	855	14	5.5 / 6	8
NTF250	NT	6	855	14	5.5 / 6	8
NTE350	NT	6	855	14	5.5 / 6	8
NTE250	NT	6	855	14	5.5 / 6	8
NTA370-370 hp	NT	6	855	14	5.5 / 6	8
NTTA855GC	NT	6	855	14	5.5 / 6	8
NTTA855GS	NT	6	855	14	5.5 / 6	8
NTF365	NT	6	855	14	5.5 / 6	8
NTO335	NT	6	855	14	5.5 / 6	8
ISX, QSX	ISX, QSX	6	912	15	5.4 / 0	7

LINE #	NOTES	PART DESCRIPTION	OVERHAUL	QTY	IN-FRAME	QTY
1	4.0160" 239 CID (3.9L) 4 Cyl 4B Series					1
1.1	Naturally Aspirated Engines OE Rod Bearing Number(s) 3901170 OE Main Bearing Number(s) 3802010	Kit Number	409-1003	409-5003		
		Rebore Kit	225-3526	4	225-3526	4
		Oversizes	STD-020-030- 040		STD-020-030- 040	
		Connecting Rod Bearing	CB-1413P	4	CB-1413P	4
		Undersizes	P-25MM-50MM-75MM		P-25MM-50MM-75MM	
		Main Bearing Set	MS-1718P	1	MS-1718P	1
		Undersizes	P-25MM-50MM-75MM		P-25MM-50MM-75MM	
		Engine Cylinder Head Gasket Set	HS4961	1	HS4961	1
		Oversizes	STD-2-3		STD-2-3	
	Engine Conversion Gasket Set / Engine Oil Pan Gasket Set	CS4961	1	OS32172	1	
1.2	Turbocharged Engines OE Rod Bearing Number(s) 3901170 OE Main Bearing Number(s) 3802010	Kit Number	409-1012	409-5012		
		Rebore Kit	225-3525	4	225-3525	4
		Oversizes	STD-020-030- 040		STD-020-030- 040	
		Connecting Rod Bearing	CB-1413P	4	CB-1413P	4
		Undersizes	P-25MM-50MM-75MM		P-25MM-50MM-75MM	
		Main Bearing Set	MS-1718P	1	MS-1718P	1
		Undersizes	P-25MM-50MM-75MM		P-25MM-50MM-75MM	
		Engine Cylinder Head Gasket Set	HS4961	1	HS4961	1
		Oversizes	STD-2-3		STD-2-3	
	Engine Conversion Gasket Set / Engine Oil Pan Gasket Set	CS4961	1	OS32172	1	
1.3	Turbocharged and Aftercooled Engines OE Rod Bearing Number(s) 3901170 OE Main Bearing Number(s) 3802010	Kit Number	409-1018	409-5018		
		Rebore Kit	225-3523	4	225-3523	4
		Oversizes	STD-020-040		STD-020-040	
		Connecting Rod Bearing	CB-1413P	4	CB-1413P	4
		Undersizes	P-25MM-50MM-75MM		P-25MM-50MM-75MM	
		Main Bearing Set	MS-1718P	1	MS-1718P	1
		Undersizes	P-25MM-50MM-75MM		P-25MM-50MM-75MM	
		Engine Cylinder Head Gasket Set	HS4961	1	HS4961	1
		Oversizes	STD-2-3		STD-2-3	
	Engine Conversion Gasket Set / Engine Oil Pan Gasket Set	CS4961	1	OS32172	1	

LINE #	NOTES	PART DESCRIPTION	OVERHAUL	QTY	IN-FRAME	QTY
1 (cont.)	4.0160" 239 CID (3.9L) 4 Cyl 4B Series					1 (cont.)
1.4	Turbocharged and Aftercooled Engines OE Rod Bearing Number(s) 3901170 OE Main Bearing Number(s) 3802010	Kit Number	409-1024		409-5024	
		Rebore Kit	225-3323	4	225-3323	4
		<i>Optional</i>	225-3323.040	4	225-3323.040	4
		Connecting Rod Bearing	CB-1413P	4	CB-1413P	4
		Undersizes	P-25MM-50MM-75MM		P-25MM-50MM-75MM	
		Main Bearing Set	MS-1718P	1	MS-1718P	1
		Undersizes	P-25MM-50MM-75MM		P-25MM-50MM-75MM	
		Engine Cylinder Head Gasket Set	HS4961	1	HS4961	1
		Oversizes	STD-2-3		STD-2-3	
	Engine Conversion Gasket Set / Engine Oil Pan Gasket Set	CS4961	1	OS32172	1	
1.5	OE Rod Bearing Number(s) 3901170 OE Main Bearing Number(s) 3802010	Kit Number	409-1036		409-5036	
		Rebore Kit	225-3513	4	225-3513	4
		Oversizes	STD-020-030- 040		STD-020-030- 040	
		<i>Optional</i>	225-3513B	4	225-3513B	4
		Connecting Rod Bearing	CB-1413P	4	CB-1413P	4
		Undersizes	P-25MM-50MM-75MM		P-25MM-50MM-75MM	
		Main Bearing Set	MS-1718P	1	MS-1718P	1
		Undersizes	P-25MM-50MM-75MM		P-25MM-50MM-75MM	
		Engine Cylinder Head Gasket Set	HS4961	1	HS4961	1
		Oversizes	STD-2-3		STD-2-3	
			Engine Conversion Gasket Set / Engine Oil Pan Gasket Set	CS4961	1	OS32172
	<i>Optional</i>	CS4961-1	1			
2	4.0160" 359 CID (5.9L) 6 Cyl 6B Series					2
2.1	Naturally Aspirated Engines OE Rod Bearing Number(s) 3901170 OE Main Bearing Number(s) 3802070	Kit Number	409-1006		409-5006	
		Rebore Kit	225-3526	6	225-3526	6
		Oversizes	STD-020-030- 040		STD-020-030- 040	
		Connecting Rod Bearing	CB-1413P	6	CB-1413P	6
		Undersizes	P-25MM-50MM-75MM		P-25MM-50MM-75MM	
		Main Bearing Set	MS-2328P	1	MS-2328P	1
		Undersizes	P-25MM-50MM-75MM		P-25MM-50MM-75MM	
		Engine Cylinder Head Gasket Set	HS4068	1	HS4068	1
		Oversizes	STD-A-B		STD-A-B	
	Engine Conversion Gasket Set / Engine Oil Pan Gasket Set	CS4068	1	OS32139	1	

LINE #	NOTES	PART DESCRIPTION	OVERHAUL	QTY	IN-FRAME	QTY
2 (cont.)	4.0160" 359 CID (5.9L) 6 Cyl 6B Series					2 (cont.)
2.2	Turbocharged Engines OE Rod Bearing Number(s) 3901170 OE Main Bearing Number(s) 3802070	Kit Number	409-1015	409-5015		
		Rebore Kit	225-3525	6	225-3525	6
		Oversizes	STD-020-030- 040		STD-020-030- 040	
		Connecting Rod Bearing	CB-1413P	6	CB-1413P	6
		Undersizes	P-25MM-50MM-75MM		P-25MM-50MM-75MM	
		Main Bearing Set	MS-2328P	1	MS-2328P	1
		Undersizes	P-25MM-50MM-75MM		P-25MM-50MM-75MM	
		Engine Cylinder Head Gasket Set	HS4068	1	HS4068	1
		Oversizes	STD-A-B		STD-A-B	
		Engine Conversion Gasket Set / Engine Oil Pan Gasket Set	CS4068	1	OS32139	1
2.3	Turbocharged and Aftercooled Engines OE Rod Bearing Number(s) 3901170 OE Main Bearing Number(s) 3802070	Kit Number	409-1021	409-5021		
		Rebore Kit	225-3523	6	225-3523	6
		Oversizes	STD-020-040		STD-020-040	
		Connecting Rod Bearing	CB-1413P	6	CB-1413P	6
		Undersizes	P-25MM-50MM-75MM		P-25MM-50MM-75MM	
		Main Bearing Set	MS-2328P	1	MS-2328P	1
		Undersizes	P-25MM-50MM-75MM		P-25MM-50MM-75MM	
		Engine Cylinder Head Gasket Set	HS4068	1	HS4068	1
		Oversizes	STD-A-B		STD-A-B	
		Engine Conversion Gasket Set / Engine Oil Pan Gasket Set	CS4068	1	OS32139	1
2.4	Turbocharged and Aftercooled Engines OE Rod Bearing Number(s) 3901170 OE Main Bearing Number(s) 3802070	Kit Number	409-1025	409-5025		
		Rebore Kit	225-3520	6	225-3520	6
		Oversizes	STD-020-040		STD-020-040	
		Connecting Rod Bearing	CB-1413P	6	CB-1413P	6
		Undersizes	P-25MM-50MM-75MM		P-25MM-50MM-75MM	
		Main Bearing Set	MS-2328P	1	MS-2328P	1
		Undersizes	P-25MM-50MM-75MM		P-25MM-50MM-75MM	
		Engine Cylinder Head Gasket Set	HS4068	1	HS4068	1
		Oversizes	STD-A-B		STD-A-B	
		Engine Conversion Gasket Set / Engine Oil Pan Gasket Set	CS4068	1	OS32139	1

LINE #	NOTES	PART DESCRIPTION	OVERHAUL	QTY	IN-FRAME	QTY
2 (cont.)	4.0160" 359 CID (5.9L) 6 Cyl 6B Series					2 (cont.)
2.5	OE Rod Bearing Number(s) 3901170 OE Main Bearing Number(s) 3802070	Kit Number	409-1029	409-5029		
		Rebore Kit	225-3323	6	225-3323	6
		<i>Optional</i>	225-3323.020	6	225-3323.020	6
		Oversizes	STD-		STD-	
		Connecting Rod Bearing	CB-1413P	6	CB-1413P	6
		Undersizes	P-25MM-50MM-75MM		P-25MM-50MM-75MM	
		Main Bearing Set	MS-2328P	1	MS-2328P	1
		Undersizes	P-25MM-50MM-75MM		P-25MM-50MM-75MM	
		Engine Cylinder Head Gasket Set	HS4068	1	HS4068	1
		Oversizes	STD-A-B		STD-A-B	
	Engine Conversion Gasket Set / Engine Oil Pan Gasket Set	CS4068	1	OS32139	1	
2.6	OE Rod Bearing Number(s) 3901170 OE Main Bearing Number(s) 3802070	Kit Number	409-1035	409-5035		
		Rebore Kit	225-3322	6	225-3322	6
		Oversizes	STD-020-040		STD-020-040	
		Connecting Rod Bearing	CB-1413P	6	CB-1413P	6
		Undersizes	P-25MM-50MM-75MM		P-25MM-50MM-75MM	
		Main Bearing Set	MS-2328P	1	MS-2328P	1
		Undersizes	P-25MM-50MM-75MM		P-25MM-50MM-75MM	
		Engine Cylinder Head Gasket Set	HS4068	1	HS4068	1
		Oversizes	STD-A-B		STD-A-B	
			Engine Conversion Gasket Set / Engine Oil Pan Gasket Set	CS4068	1	OS32139
2.7	Contains OE# 3802561 Piston Ceramic Chrome Top Ring Keystone Top Compression Ring Reverse Twist Second Ring OE Rod Bearing Number(s) 3901170 OE Main Bearing Number(s) 3802070	Kit Number	409-1037	409-5037		
		Rebore Kit	225-3513	6	225-3513	6
		Oversizes	STD-020-030- 040		STD-020-030- 040	
		<i>Optional</i>	225-3513B	6	225-3513B	6
		Connecting Rod Bearing	CB-1413P	6	CB-1413P	6
		Undersizes	P-25MM-50MM-75MM		P-25MM-50MM-75MM	
		Main Bearing Set	MS-2328P	1	MS-2328P	1
		Undersizes	P-25MM-50MM-75MM		P-25MM-50MM-75MM	
		Engine Cylinder Head Gasket Set	HS4068	1	HS4068	1
		Oversizes	STD-A-B		STD-A-B	
	Engine Conversion Gasket Set / Engine Oil Pan Gasket Set	CS4068	1	OS32139	1	

LINE #	NOTES	PART DESCRIPTION	OVERHAUL	QTY	IN-FRAME	QTY
3	4.0160" 359 CID (5.9L) 6 Cyl ; 1998 - 2002 ISB Series					3
3.1	OE Rod Bearing Number(s) 3901170 OE Main Bearing Number(s) 3802070	Kit Number	409-1026		409-5026	
		Rebore Kit	225-3355	6	225-3355	6
		Oversizes	STD-020-040		STD-020-040	
		Connecting Rod Bearing	CB-1413P	6	CB-1413P	6
		Undersizes	P-25MM-50MM-75MM		P-25MM-50MM-75MM	
		Main Bearing Set	MS-2328P	1	MS-2328P	1
		Undersizes	P-25MM-50MM-75MM		P-25MM-50MM-75MM	
		Engine Cylinder Head Gasket Set / Engine Oil Pan Gasket Set	HS54174-1	1	HS54174-1	1
3.2	OE Rod Bearing Number(s) 3901170 OE Main Bearing Number(s) 3802070	Kit Number	409-1027		409-5027	
		Rebore Kit	225-3354	6	225-3354	6
		Oversizes	STD-020-030-040		STD-020-030-040	
		Connecting Rod Bearing	CB-1413P	6	CB-1413P	6
		Undersizes	P-25MM-50MM-75MM		P-25MM-50MM-75MM	
		Main Bearing Set	MS-2328P	1	MS-2328P	1
		Undersizes	P-25MM-50MM-75MM		P-25MM-50MM-75MM	
		Engine Cylinder Head Gasket Set / Engine Oil Pan Gasket Set	HS54174-1	1	HS54174-1	1
4	4.4880" 505 CID (8.3L) 6 Cyl / 24 Valves; Turbocharged-Aftercooled Engine Code: 'ISC'					4
4.1	Standard ISC Engines Thru 1991 Thin Wall Block Thick Wall Liner OE Rod Bearing Number(s) 3901430 OE Main Bearing Number(s) 3802210	Kit Number	459-1424		459-5424	
		Cylinder Sleeve Assembly	226-1894	6	226-1894	6
		Connecting Rod Bearing	CB-1409P	6	CB-1409P	6
		Undersizes	P-100MM-25MM-50MM-75MM		P-100MM-25MM-50MM-75MM	
		Main Bearing Set	MS-1740P	1	MS-1740P	1
		Undersizes	P-25MM-50MM		P-25MM-50MM	
		Engine Cylinder Head Gasket Set / Engine Oil Pan Gasket Set	HS54132	1	OS32205	1
		Engine Conversion Gasket Set / Engine Cylinder Head Gasket Set	CS54132-1	1	HS54132	1
4.2	Standard ISC Engines 1992-Up Thick Wall Block Thin Wall Liner OE Rod Bearing Number(s) 3901430 OE Main Bearing Number(s) 3802210	Kit Number	459-1426		459-5426	
		Cylinder Sleeve Assembly	226-1899	6	226-1899	6
		Connecting Rod Bearing	CB-1409P	6	CB-1409P	6
		Undersizes	P-100MM-25MM-50MM-75MM		P-100MM-25MM-50MM-75MM	
		Main Bearing Set	MS-1740P	1	MS-1740P	1
		Undersizes	P-25MM-50MM		P-25MM-50MM	
		Engine Cylinder Head Gasket Set / Engine Oil Pan Gasket Set	HS54132	1	HS54132	1
		Engine Conversion Gasket Set / Engine Oil Pan Gasket Set	CS54132-1	1	OS32205	1

LINE #	NOTES	PART DESCRIPTION	OVERHAUL	QTY	IN-FRAME	QTY
4 (cont.)	4.4880" 505 CID (8.3L) 6 Cyl / 24 Valves; Turbocharged-Aftercooled Engine Code: 'ISC'					4 (cont.)
4.3	Standard ISC Series Select Engines Thru 1991 Thin Wall Block Thick Wall Liner OE Rod Bearing Number(s) 3901430 OE Main Bearing Number(s) 3802210	Kit Number	459-1428	459-5428		
		Cylinder Sleeve Assembly	226-1916	6	226-1916	6
		Connecting Rod Bearing	CB-1409P	6	CB-1409P	6
		Undersizes	P-100MM-25MM-50MM-75MM		P-100MM-25MM-50MM-75MM	
		Main Bearing Set	MS-1740P	1	MS-1740P	1
		Undersizes	P-25MM-50MM		P-25MM-50MM	
		Engine Cylinder Head Gasket Set	HS54132	1	HS54132	1
		Engine Conversion Gasket Set / Engine Oil Pan Gasket Set	CS54132-1	1	OS32205	1
4.4	Standard ISC Series Select Engines 1992-Up Thick Wall Block Thin Wall Liner OE Rod Bearing Number(s) 3901430 OE Main Bearing Number(s) 3802210	Kit Number	459-1430	459-5430		
		Cylinder Sleeve Assembly	226-1917	6	226-1917	6
		Connecting Rod Bearing	CB-1409P	6	CB-1409P	6
		Undersizes	P-100MM-25MM-50MM-75MM		P-100MM-25MM-50MM-75MM	
		Main Bearing Set	MS-1740P	1	MS-1740P	1
		Undersizes	P-25MM-50MM		P-25MM-50MM	
		Engine Cylinder Head Gasket Set	HS54132	1	HS54132	1
		Engine Conversion Gasket Set / Engine Oil Pan Gasket Set	CS54132-1	1	OS32205	1
5	4.4880" 505 CID (8.3L) 6 Cyl ; Turbocharged-Aftercooled C Series					5
5.1	Standard C Series Engines Thru 1991 Thin Wall Block Thick Wall Liner OE Rod Bearing Number(s) 3901430 OE Main Bearing Number(s) 3802210	Kit Number	459-1423	459-5423		
		Cylinder Sleeve Assembly	226-1894	6	226-1894	6
		Connecting Rod Bearing	CB-1409P	6	CB-1409P	6
		Undersizes	P-100MM-25MM-50MM-75MM		P-100MM-25MM-50MM-75MM	
		Main Bearing Set	MS-1740P	1	MS-1740P	1
		Undersizes	P-25MM-50MM		P-25MM-50MM	
		Engine Cylinder Head Gasket Set	HS54126	1	HS54126	1
		Engine Conversion Gasket Set / Engine Oil Pan Gasket Set	CS54126-1	1	OS32205	1
5.2	Standard C Series Engines 1992-Up Thick Wall Block Thin Wall Liner OE Rod Bearing Number(s) 3901430 OE Main Bearing Number(s) 3802210	Kit Number	459-1425	459-5425		
		Cylinder Sleeve Assembly	226-1899	6	226-1899	6
		Connecting Rod Bearing	CB-1409P	6	CB-1409P	6
		Undersizes	P-100MM-25MM-50MM-75MM		P-100MM-25MM-50MM-75MM	
		Main Bearing Set	MS-1740P	1	MS-1740P	1
		Undersizes	P-25MM-50MM		P-25MM-50MM	
		Engine Cylinder Head Gasket Set	HS54126	1	HS54126	1
		Engine Conversion Gasket Set / Engine Oil Pan Gasket Set	CS54126-1	1	OS32205	1

LINE #	NOTES	PART DESCRIPTION	OVERHAUL	QTY	IN-FRAME	QTY
5 (cont.)	4.4880" 505 CID (8.3L) 6 Cyl ; Turbocharged-Aftercooled C Series					5 (cont.)
5.3	Standard C Series Select Engines Thru 1991 Thin Wall Block Thick Wall Liner OE Rod Bearing Number(s) 3901430 OE Main Bearing Number(s) 3802210	Kit Number	459-1427	459-5427		
		Cylinder Sleeve Assembly	226-1916	6	226-1916	6
		Connecting Rod Bearing	CB-1409P	6	CB-1409P	6
		Undersizes	P-100MM-25MM-50MM-75MM		P-100MM-25MM-50MM-75MM	
		Main Bearing Set	MS-1740P	1	MS-1740P	1
		Undersizes	P-25MM-50MM		P-25MM-50MM	
		Engine Cylinder Head Gasket Set	HS54126	1	HS54126	1
		Engine Conversion Gasket Set / Engine Oil Pan Gasket Set	CS54126-1	1	OS32205	1
5.4	Standard C Series Select Engines 1992-Up Thick Wall Block Thin Wall Liner OE Rod Bearing Number(s) 3901430 OE Main Bearing Number(s) 3802210	Kit Number	459-1429	459-5429		
		Cylinder Sleeve Assembly	226-1917	6	226-1917	6
		Connecting Rod Bearing	CB-1409P	6	CB-1409P	6
		Undersizes	P-100MM-25MM-50MM-75MM		P-100MM-25MM-50MM-75MM	
		Main Bearing Set	MS-1740P	1	MS-1740P	1
		Undersizes	P-25MM-50MM		P-25MM-50MM	
		Engine Cylinder Head Gasket Set	HS54126	1	HS54126	1
		Engine Conversion Gasket Set / Engine Oil Pan Gasket Set	CS54126-1	1	OS32205	1
5.5	Contains OE# 3917707 Piston, 3800328 Liner And 3802429 Ring Set OE Rod Bearing Number(s) 3901430 OE Main Bearing Number(s) 3802210	Kit Number		459-5440		
		Cylinder Sleeve Assembly			226-2058	6
		Connecting Rod Bearing			CB-1409P	6
		Undersizes			P-100MM-25MM-50MM-75MM	
		Main Bearing Set			MS-1740P	1
		Undersizes			P-25MM-50MM	
		Engine Cylinder Head Gasket Set			HS54126	1
		Engine Oil Pan Gasket Set			OS32205	1
5.6	Thin Wall Block Thick Wall Liner Thru 1991 OE Rod Bearing Number(s) 3901430 OE Main Bearing Number(s) 3802210	Kit Number	459-1491	459-5491		
		Piston	224-3326	6	224-3326	6
		Cylinder Sleeve	226-4496	6	226-4496	6
		Ring Set	S41677	6	S41677	6
		Connecting Rod Bearing	CB-1409P	6	CB-1409P	6
		Undersizes	P-100MM-25MM-50MM-75MM		P-100MM-25MM-50MM-75MM	
		Main Bearing Set	MS-1740P	1	MS-1740P	1
		Undersizes	P-25MM-50MM		P-25MM-50MM	
		Engine Cylinder Head Gasket Set	HS54126	1	HS54126	1
		Engine Conversion Gasket Set / Engine Oil Pan Gasket Set	CS54126-1	1	OS32205	1

LINE #	NOTES	PART DESCRIPTION	OVERHAUL	QTY	IN-FRAME	QTY
5 (cont.)	4.4880" 505 CID (8.3L) 6 Cyl ; Turbocharged-Aftercooled C Series					5 (cont.)
5.7	Thick Wall Block Thin Wall Liner 1992-Up OE Rod Bearing Number(s) 3901430 OE Main Bearing Number(s) 3802210	Kit Number	459-1492		459-5492	
		Piston	224-3326	6	224-3326	6
		Cylinder Sleeve	226-4547	6	226-4547	6
		Ring Set	S41677	6	S41677	6
		Connecting Rod Bearing	CB-1409P	6	CB-1409P	6
		Undersizes	P-100MM-25MM-50MM-75MM		P-100MM-25MM-50MM-75MM	
		Main Bearing Set	MS-1740P	1	MS-1740P	1
		Undersizes	P-25MM-50MM		P-25MM-50MM	
		Engine Cylinder Head Gasket Set	HS54126	1	HS54126	1
		Engine Conversion Gasket Set / Engine Oil Pan Gasket Set	CS54126-1	1	OS32205	1
5.8	Contains OE# 3800328 Liner And 3919930 Piston OE Rod Bearing Number(s) 3901430 OE Main Bearing Number(s) 3802210	Kit Number	459-1493		459-5493	
		Piston	224-3326	6	224-3326	6
		Cylinder Sleeve	226-4566	6	226-4566	6
		Ring Set	S41677	6	S41677	6
		Connecting Rod Bearing	CB-1409P	6	CB-1409P	6
		Undersizes	P-100MM-25MM-50MM-75MM		P-100MM-25MM-50MM-75MM	
		Main Bearing Set	MS-1740P	1	MS-1740P	1
		Undersizes	P-25MM-50MM		P-25MM-50MM	
		Engine Cylinder Head Gasket Set	HS54126	1	HS54126	1
		Engine Conversion Gasket Set / Engine Oil Pan Gasket Set	CS54126-1	1	OS32205	1
6	4.9210" 611 CID (10.0L) 6 Cyl ; L10 Natural Aspirated, Turbocharged and Turbocharged w/ Aftercooler. L Series					6
6.1	Narrow L10 STC/CELECT .377" Depth Bowl OE Rod Bearing Number(s) 3016760 OE Main Bearing Number(s) 4025125	Kit Number			459-5414	
		Cylinder Sleeve Assembly			226-1851	6
		Connecting Rod Bearing			CB-1382P	6
		Undersizes			P-25MM-50MM-75MM	
		Main Bearing Set			MS-1716P	1
		Undersizes			P-25MM-50MM-75MM	
		Engine Cylinder Head Gasket Set			HS54146-1	1
Engine Oil Pan Gasket Set			OS32209	1		

LINE #	NOTES	PART DESCRIPTION	OVERHAUL	QTY	IN-FRAME	QTY
6 (cont.)	4.9210" 611 CID (10.0L) 6 Cyl ; L10 Natural Aspirated, Turbocharged and Turbocharged w/ Aftercooler. L Series					6 (cont.)
6.2	Horizontal L10 STC/CELECT .377" Depth Bowl OE Rod Bearing Number(s) 3016760 OE Main Bearing Number(s) 4025125	Kit Number			459-5415	
		Cylinder Sleeve Assembly			226-1851	6
		Connecting Rod Bearing			CB-1382P	6
		Undersizes			P-25MM-50MM-75MM	
		Main Bearing Set			MS-1716P	1
		Undersizes			P-25MM-50MM-75MM	
		Engine Cylinder Head Gasket Set			HS54146-1	1
		Engine Oil Pan Gasket Set			OS32210	1
6.3	Wide L10 STC/CELECT .377" Depth Bowl OE Rod Bearing Number(s) 3016760 OE Main Bearing Number(s) 4025125	Kit Number	459-1416		459-5416	
		Cylinder Sleeve Assembly	226-1851	6	226-1851	6
		Connecting Rod Bearing	CB-1382P	6	CB-1382P	6
		Undersizes	P-25MM-50MM-75MM		P-25MM-50MM-75MM	
		Main Bearing Set	MS-1716P	1	MS-1716P	1
		Undersizes	P-25MM-50MM-75MM		P-25MM-50MM-75MM	
		Engine Cylinder Head Gasket Set	HS54146-1	1	HS54146-1	1
		Engine Conversion Gasket Set / Engine Oil Pan Gasket Set	CS54132	1	OS32219	1
6.4	Narrow L10 STC/CELECT .425" Depth Bowl OE Rod Bearing Number(s) 3016760 OE Main Bearing Number(s) 4025125	Kit Number			459-5417	
		Cylinder Sleeve Assembly			226-1852	6
		Connecting Rod Bearing			CB-1382P	6
		Undersizes			P-25MM-50MM-75MM	
		Main Bearing Set			MS-1716P	1
		Undersizes			P-25MM-50MM-75MM	
		Engine Cylinder Head Gasket Set			HS54146-1	1
		Engine Oil Pan Gasket Set			OS32209	1
6.5	Horizontal L10 STC/CELECT .425" Depth Bowl OE Rod Bearing Number(s) 3016760 OE Main Bearing Number(s) 4025125	Kit Number			459-5418	
		Cylinder Sleeve Assembly			226-1852	6
		Connecting Rod Bearing			CB-1382P	6
		Undersizes			P-25MM-50MM-75MM	
		Main Bearing Set			MS-1716P	1
		Undersizes			P-25MM-50MM-75MM	
		Engine Cylinder Head Gasket Set			HS54146-1	1
		Engine Oil Pan Gasket Set			OS32210	1

LINE #	NOTES	PART DESCRIPTION	OVERHAUL	QTY	IN-FRAME	QTY
6 (cont.)	4.9210" 611 CID (10.0L) 6 Cyl ; L10 Natural Aspirated, Turbocharged and Turbocharged w/ Aftercooler. L Series					6 (cont.)
6.6	Wide L10 STC/CELECT .425" Depth Bowl OE Rod Bearing Number(s) 3016760 OE Main Bearing Number(s) 4025125	Kit Number	459-1419	459-5419		
		Cylinder Sleeve Assembly	226-1852	6	226-1852	6
		Connecting Rod Bearing	CB-1382P	6	CB-1382P	6
		Undersizes	P-25MM-50MM-75MM		P-25MM-50MM-75MM	
		Main Bearing Set	MS-1716P	1	MS-1716P	1
		Undersizes	P-25MM-50MM-75MM		P-25MM-50MM-75MM	
		Engine Cylinder Head Gasket Set	HS54146-1	1	HS54146-1	1
		Engine Conversion Gasket Set / Engine Oil Pan Gasket Set	CS54132	1	OS32219	1
6.7	Narrow L10 Standard .377" Depth Bowl OE Rod Bearing Number(s) 3016760 OE Main Bearing Number(s) 4025125	Kit Number	459-1431	459-5431		
		Cylinder Sleeve Assembly	226-1851	6	226-1851	6
		Connecting Rod Bearing	CB-1382P	6	CB-1382P	6
		Undersizes	P-25MM-50MM-75MM		P-25MM-50MM-75MM	
		Main Bearing Set	MS-1716P	1	MS-1716P	1
		Undersizes	P-25MM-50MM-75MM		P-25MM-50MM-75MM	
		Engine Cylinder Head Gasket Set	HS54146-2	1	HS54146-2	1
		Engine Conversion Gasket Set / Engine Oil Pan Gasket Set	CS54147	1	OS32209	1
6.8	Horizontal L10 Standard .377" Depth Bowl OE Rod Bearing Number(s) 3016760 OE Main Bearing Number(s) 4025125	Kit Number	459-1432	459-5432		
		Cylinder Sleeve Assembly	226-1851	6	226-1851	6
		Connecting Rod Bearing	CB-1382P	6	CB-1382P	6
		Undersizes	P-25MM-50MM-75MM		P-25MM-50MM-75MM	
		Main Bearing Set	MS-1716P	1	MS-1716P	1
		Undersizes	P-25MM-50MM-75MM		P-25MM-50MM-75MM	
		Engine Cylinder Head Gasket Set	HS54146-2	1	HS54146-2	1
		Engine Conversion Gasket Set / Engine Oil Pan Gasket Set	CS54147-1	1	OS32210	1
6.9	Wide L10 Standard .377" Depth Bowl OE Rod Bearing Number(s) 3016760 OE Main Bearing Number(s) 4025125	Kit Number	459-1433	459-5433		
		Cylinder Sleeve Assembly	226-1851	6	226-1851	6
		Connecting Rod Bearing	CB-1382P	6	CB-1382P	6
		Undersizes	P-25MM-50MM-75MM		P-25MM-50MM-75MM	
		Main Bearing Set	MS-1716P	1	MS-1716P	1
		Undersizes	P-25MM-50MM-75MM		P-25MM-50MM-75MM	
		Engine Cylinder Head Gasket Set	HS54146-2	1	HS54146-2	1
		Engine Conversion Gasket Set / Engine Oil Pan Gasket Set	CS54147	1	OS32219	1

LINE #	NOTES	PART DESCRIPTION	OVERHAUL	QTY	IN-FRAME	QTY
6 (cont.)	4.9210" 611 CID (10.0L) 6 Cyl ; L10 Natural Aspirated, Turbocharged and Turbocharged w/ Aftercooler. L Series					6 (cont.)
6.10	Narrow L10 Standard .425" Depth Bowl OE Rod Bearing Number(s) 3016760 OE Main Bearing Number(s) 4025125	Kit Number	459-1434	459-5434		
		Cylinder Sleeve Assembly	226-1852	6	226-1852	6
		Connecting Rod Bearing	CB-1382P	6	CB-1382P	6
		Undersizes	P-25MM-50MM-75MM		P-25MM-50MM-75MM	
		Main Bearing Set	MS-1716P	1	MS-1716P	1
		Undersizes	P-25MM-50MM-75MM		P-25MM-50MM-75MM	
		Engine Cylinder Head Gasket Set	HS54146-2	1	HS54146-2	1
		Engine Conversion Gasket Set / Engine Oil Pan Gasket Set	CS54147	1	OS32209	1
6.11	Horizontal L10 Standard .425" Depth Bowl OE Rod Bearing Number(s) 3016760 OE Main Bearing Number(s) 4025125	Kit Number	459-1441	459-5435		
		Cylinder Sleeve Assembly	226-1852	6	226-1852	6
		Connecting Rod Bearing	CB-1382P	6	CB-1382P	6
		Undersizes	P-25MM-50MM-75MM		P-25MM-50MM-75MM	
		Main Bearing Set	MS-1716P	1	MS-1716P	1
		Undersizes	P-25MM-50MM-75MM		P-25MM-50MM-75MM	
		Engine Cylinder Head Gasket Set	HS54146-2	1	HS54146-2	1
		Engine Conversion Gasket Set / Engine Oil Pan Gasket Set	CS54147-1	1	OS32210	1
6.12	Wide L10 Standard .425" Depth Bowl OE Rod Bearing Number(s) 3016760 OE Main Bearing Number(s) 4025125	Kit Number	459-1436	459-5436		
		Cylinder Sleeve Assembly	226-1852	6	226-1852	6
		Connecting Rod Bearing	CB-1382P	6	CB-1382P	6
		Undersizes	P-25MM-50MM-75MM		P-25MM-50MM-75MM	
		Main Bearing Set	MS-1716P	1	MS-1716P	1
		Undersizes	P-25MM-50MM-75MM		P-25MM-50MM-75MM	
		Engine Cylinder Head Gasket Set	HS54146-2	1	HS54146-2	1
		Engine Conversion Gasket Set / Engine Oil Pan Gasket Set	CS54147	1	OS32219	1

LINE #	NOTES	PART DESCRIPTION	OVERHAUL	QTY	IN-FRAME	QTY		
7	5.4000" 912 CID (15.0L) 6 Cyl ISX, QSX Series					7		
7.1	ISX Early Model OE Rod Bearing Number(s) 4089405 OE Main Bearing Number(s) 3800298	Kit Number	459-1495	459-5495				
		Cylinder Sleeve	226-4596	6	226-4596	6		
		Ring Set	S42153	6	S42153	6		
		Lock Ring	223-5540	6	223-5540	6		
		Piston Pin	223-1968	6	223-1968	6		
		Connecting Rod Bearing	CB-1908P	6	CB-1908P	6		
		Undersizes	P-25MM-50MM		P-25MM-50MM			
		Main Bearing Set	MS-2297P	1	MS-2297P	1		
		Undersizes	P-25MM-50MM		P-25MM-50MM			
		Engine Cylinder Head Gasket Set	HS54775-1	1	HS54775-1	1		
		Engine Conversion Gasket Set / Engine Oil Pan Gasket Set	CS54775-1	1	OS32376	1		
7.2	ISX Late Model Exhaust Gas Recirculation (EGR) Engines OE Rod Bearing Number(s) 4089405 OE Main Bearing Number(s) 3800298	Kit Number	459-1496	459-5496				
		Cylinder Sleeve	226-4596	6	226-4596	6		
		Ring Set	S42153	6	S42153	6		
		Lock Ring	223-5540	6	223-5540	6		
		Piston Pin	223-1968	6	223-1968	6		
		Connecting Rod Bearing	CB-1908P	6	CB-1908P	6		
		Undersizes	P-25MM-50MM		P-25MM-50MM			
		Main Bearing Set	MS-2297P	1	MS-2297P	1		
		Undersizes	P-25MM-50MM		P-25MM-50MM			
		Engine Cylinder Head Gasket Set	HS54775-2	1	HS54775-2	1		
		Engine Conversion Gasket Set / Engine Oil Pan Gasket Set	CS54775-2	1	OS32376	1		
7.3	ISX Early Model Without Pins or Locks OE Rod Bearing Number(s) 4089405 OE Main Bearing Number(s) 3800298	Kit Number	459-1497	459-5497				
		Cylinder Sleeve	226-4596	6	226-4596	6		
		Ring Set	S42153	6	S42153	6		
		Connecting Rod Bearing	CB-1908P	6	CB-1908P	6		
		Undersizes	P-25MM-50MM		P-25MM-50MM			
		Main Bearing Set	MS-2297P	1	MS-2297P	1		
		Undersizes	P-25MM-50MM		P-25MM-50MM			
		Engine Cylinder Head Gasket Set	HS54775-1	1	HS54775-1	1		
		Engine Conversion Gasket Set / Engine Oil Pan Gasket Set	CS54775-1	1	OS32376	1		
		7.4	ISX Late Model Exhaust Gas Recirculation (EGR) Engines Without Pins or Locks OE Rod Bearing Number(s) 4089405 OE Main Bearing Number(s) 3800298	Kit Number	459-1498	459-5498		
				Cylinder Sleeve	226-4596	6	226-4596	6
Ring Set	S42153			6	S42153	6		
Connecting Rod Bearing	CB-1908P			6	CB-1908P	6		
Undersizes	P-25MM-50MM				P-25MM-50MM			
Main Bearing Set	MS-2297P			1	MS-2297P	1		
Undersizes	P-25MM-50MM				P-25MM-50MM			
Engine Cylinder Head Gasket Set	HS54775-2			1	HS54775-2	1		
Engine Conversion Gasket Set / Engine Oil Pan Gasket Set	CS54775-2			1	OS32376	1		

LINE #	NOTES	PART DESCRIPTION	OVERHAUL	QTY	IN-FRAME	QTY
8	5.5000" 855 CID (14.0L) 6 Cyl ; Turbocharged-Aftercooled NT Series					8
8.1	Big Cam Connecting Rod Bearings C3 Premium Sleeve Assembly With Standard Size Sleeves OE Rod Bearing Number(s) 214950 OE Main Bearing Number(s) 3801260	Kit Number	459-1010	459-5010		
		Cylinder Sleeve Assembly	226-1905	6	226-1905	6
		Connecting Rod Bearing	CB-1226P	6	CB-1226P	6
		Undersizes	P-10-20-30-40		P-10-20-30-40	
		Main Bearing Set	MS-1687P	1	MS-1687P	1
		Undersizes	P-10-20-30		P-10-20-30	
		Engine Cylinder Head Gasket Set / In-frame Overhaul Set	HS5858-3	1	EK3518-1	1
		Engine Conversion Gasket Set	CS5858-4	1		
8.2	Big Cam Connecting Rod Bearings C3 Premium Sleeve Assembly With Standard Size Sleeves OE Rod Bearing Number(s) 214950 OE Main Bearing Number(s) 3801260	Kit Number	459-1183	459-5010		
		Cylinder Sleeve Assembly	226-1905	6	226-1905	6
		Connecting Rod Bearing	CB-1226P	6	CB-1226P	6
		Undersizes	P-10-20-30-40		P-10-20-30-40	
		Main Bearing Set	MS-1687P	1	MS-1687P	1
		Undersizes	P-10-20-30		P-10-20-30	
		Engine Cylinder Head Gasket Set / In-frame Overhaul Set	HS5858-3	1	EK3518-1	1
		Engine Conversion Gasket Set	CS5858-5	1		
8.3	Big Cam Connecting Rod Bearings C3 Premium Sleeve Assembly With Standard Size Sleeves OE Rod Bearing Number(s) 214950 OE Main Bearing Number(s) 3801260	Kit Number	459-1369	459-5010		
		Cylinder Sleeve Assembly	226-1905	6	226-1905	6
		Connecting Rod Bearing	CB-1226P	6	CB-1226P	6
		Undersizes	P-10-20-30-40		P-10-20-30-40	
		Main Bearing Set	MS-1687P	1	MS-1687P	1
		Undersizes	P-10-20-30		P-10-20-30	
		Engine Cylinder Head Gasket Set / In-frame Overhaul Set	HS5858-3	1	EK3518-1	1
		Engine Conversion Gasket Set	CS5858-13	1		
8.4	Big Cam Connecting Rod Bearings C3 Premium Sleeve Assembly With Standard Size Sleeves OE Rod Bearing Number(s) 214950 OE Main Bearing Number(s) 3801260	Kit Number	459-1370	459-5010		
		Cylinder Sleeve Assembly	226-1905	6	226-1905	6
		Connecting Rod Bearing	CB-1226P	6	CB-1226P	6
		Undersizes	P-10-20-30-40		P-10-20-30-40	
		Main Bearing Set	MS-1687P	1	MS-1687P	1
		Undersizes	P-10-20-30		P-10-20-30	
		Engine Cylinder Head Gasket Set / In-frame Overhaul Set	HS5858-3	1	EK3518-1	1
		Engine Conversion Gasket Set	CS5858-2	1		
8.5	Big Cam Connecting Rod Bearings C3 Premium Sleeve Assembly With 0.020"/0.040" Oversized Lower Press Fit Sleeves OE Rod Bearing Number(s) 214950 OE Main Bearing Number(s) 3801260	Kit Number	459-1011	459-5011		
		Cylinder Sleeve Assembly	226-1907	6	226-1907	6
		Connecting Rod Bearing	CB-1226P	6	CB-1226P	6
		Undersizes	P-10-20-30-40		P-10-20-30-40	
		Main Bearing Set	MS-1687P	1	MS-1687P	1
		Undersizes	P-10-20-30		P-10-20-30	
		Engine Cylinder Head Gasket Set / In-frame Overhaul Set	HS5858-3	1	EK3518-1	1
		Engine Conversion Gasket Set	CS5858-4	1		

LINE #	NOTES	PART DESCRIPTION	OVERHAUL	QTY	IN-FRAME	QTY
8 (cont.)	5.5000" 855 CID (14.0L) 6 Cyl ; Turbocharged-Aftercooled NT Series					8 (cont.)
8.6	Big Cam Connecting Rod Bearings C3 Premium Sleeve Assembly With 0.020"/0.040" Oversized Lower Press Fit Sleeves OE Rod Bearing Number(s) 214950 OE Main Bearing Number(s) 3801260	Kit Number	459-1184		459-5011	
		Cylinder Sleeve Assembly	226-1907	6	226-1907	6
		Connecting Rod Bearing	CB-1226P	6	CB-1226P	6
		Undersizes	P-10-20-30-40		P-10-20-30-40	
		Main Bearing Set	MS-1687P	1	MS-1687P	1
		Undersizes	P-10-20-30		P-10-20-30	
		Engine Cylinder Head Gasket Set / In-frame Overhaul Set	HS5858-3	1	EK3518-1	1
		Engine Conversion Gasket Set	CS5858-2	1		
8.7	Big Cam Connecting Rod Bearings C3 Premium Sleeve Assembly With 0.020"/0.040" Oversized Lower Press Fit Sleeves OE Rod Bearing Number(s) 214950 OE Main Bearing Number(s) 3801260	Kit Number	459-1401		459-5011	
		Cylinder Sleeve Assembly	226-1907	6	226-1907	6
		Connecting Rod Bearing	CB-1226P	6	CB-1226P	6
		Undersizes	P-10-20-30-40		P-10-20-30-40	
		Main Bearing Set	MS-1687P	1	MS-1687P	1
		Undersizes	P-10-20-30		P-10-20-30	
		Engine Cylinder Head Gasket Set / In-frame Overhaul Set	HS5858-3	1	EK3518-1	1
		Engine Conversion Gasket Set	CS5858-13	1		
8.8	Big Cam Connecting Rod Bearings C3 Premium Sleeve Assembly With 0.020"/0.040" Oversized Lower Press Fit Sleeves OE Rod Bearing Number(s) 214950 OE Main Bearing Number(s) 3801260	Kit Number	459-1402		459-5011	
		Cylinder Sleeve Assembly	226-1907	6	226-1907	6
		Connecting Rod Bearing	CB-1226P	6	CB-1226P	6
		Undersizes	P-10-20-30-40		P-10-20-30-40	
		Main Bearing Set	MS-1687P	1	MS-1687P	1
		Undersizes	P-10-20-30		P-10-20-30	
		Engine Cylinder Head Gasket Set / In-frame Overhaul Set	HS5858-3	1	EK3518-1	1
		Engine Conversion Gasket Set	CS5858-5	1		
8.9	Big Cam Connecting Rod Bearings Premium Sleeve Assembly With Standard Size Sleeves OE Rod Bearing Number(s) 214950 OE Main Bearing Number(s) 3801260	Kit Number	459-1014		459-5014	
		Cylinder Sleeve Assembly	226-1769	6	226-1769	6
		Connecting Rod Bearing	CB-1226P	6	CB-1226P	6
		Undersizes	P-10-20-30-40		P-10-20-30-40	
		Main Bearing Set	MS-1687P	1	MS-1687P	1
		Undersizes	P-10-20-30		P-10-20-30	
		Engine Cylinder Head Gasket Set / In-frame Overhaul Set	HS5858-3	1	EK3518-1	1
		Engine Conversion Gasket Set	CS5858-2	1		
8.10	Big Cam Connecting Rod Bearings Premium Sleeve Assembly With Standard Size Sleeves OE Rod Bearing Number(s) 214950 OE Main Bearing Number(s) 3801260	Kit Number	459-1071		459-5014	
		Cylinder Sleeve Assembly	226-1769	6	226-1769	6
		Connecting Rod Bearing	CB-1226P	6	CB-1226P	6
		Undersizes	P-10-20-30-40		P-10-20-30-40	
		Main Bearing Set	MS-1687P	1	MS-1687P	1
		Undersizes	P-10-20-30		P-10-20-30	
		Engine Cylinder Head Gasket Set / In-frame Overhaul Set	HS5858-3	1	EK3518-1	1
		Engine Conversion Gasket Set	CS5858-7	1		

LINE #	NOTES	PART DESCRIPTION	OVERHAUL	QTY	IN-FRAME	QTY
8 (cont.)	5.5000" 855 CID (14.0L) 6 Cyl ; Turbocharged-Aftercooled NT Series					8 (cont.)
8.11	Big Cam Connecting Rod Bearings Premium Sleeve Assembly With Standard Size Sleeves OE Rod Bearing Number(s) 214950 OE Main Bearing Number(s) 3801260	Kit Number	459-1072	459-5014		
		Cylinder Sleeve Assembly	226-1769	6	226-1769	6
		Connecting Rod Bearing	CB-1226P	6	CB-1226P	6
		Undersizes	P-10-20-30-40	P-10-20-30-40		
		Main Bearing Set	MS-1687P	1	MS-1687P	1
		Undersizes	P-10-20-30	P-10-20-30		
		Engine Cylinder Head Gasket Set / In-frame Overhaul Set	HS5858-3	1	EK3518-1	1
		Engine Conversion Gasket Set	CS5858-4	1		
8.12	Big Cam Connecting Rod Bearings Premium Sleeve Assembly With Standard Size Sleeves OE Rod Bearing Number(s) 214950 OE Main Bearing Number(s) 3801260	Kit Number	459-1073	459-5014		
		Cylinder Sleeve Assembly	226-1769	6	226-1769	6
		Connecting Rod Bearing	CB-1226P	6	CB-1226P	6
		Undersizes	P-10-20-30-40	P-10-20-30-40		
		Main Bearing Set	MS-1687P	1	MS-1687P	1
		Undersizes	P-10-20-30	P-10-20-30		
		Engine Cylinder Head Gasket Set / In-frame Overhaul Set	HS5858-3	1	EK3518-1	1
		Engine Conversion Gasket Set	CS5858-13	1		
8.13	Big Cam Connecting Rod Bearings Premium Plus Sleeve Assembly With Standard Size Sleeves OE Rod Bearing Number(s) 214950 OE Main Bearing Number(s) 3801260	Kit Number	459-1015	459-5015		
		Cylinder Sleeve Assembly	226-1748	6	226-1748	6
		Connecting Rod Bearing	CB-1226P	6	CB-1226P	6
		Undersizes	P-10-20-30-40	P-10-20-30-40		
		Main Bearing Set	MS-1687P	1	MS-1687P	1
		Undersizes	P-10-20-30	P-10-20-30		
		Engine Cylinder Head Gasket Set / In-frame Overhaul Set	HS5858-3	1	EK3518-1	1
		Engine Conversion Gasket Set	CS5858-2	1		
8.14	Big Cam Connecting Rod Bearings Premium Plus Sleeve Assembly With Standard Size Sleeves OE Rod Bearing Number(s) 214950 OE Main Bearing Number(s) 3801260	Kit Number	459-1074	459-5015		
		Cylinder Sleeve Assembly	226-1748	6	226-1748	6
		Connecting Rod Bearing	CB-1226P	6	CB-1226P	6
		Undersizes	P-10-20-30-40	P-10-20-30-40		
		Main Bearing Set	MS-1687P	1	MS-1687P	1
		Undersizes	P-10-20-30	P-10-20-30		
		Engine Cylinder Head Gasket Set / In-frame Overhaul Set	HS5858-3	1	EK3518-1	1
		Engine Conversion Gasket Set	CS5858-7	1		
8.15	Big Cam Connecting Rod Bearings Premium Plus Sleeve Assembly With Standard Size Sleeves OE Rod Bearing Number(s) 214950 OE Main Bearing Number(s) 3801260	Kit Number	459-1075	459-5015		
		Cylinder Sleeve Assembly	226-1748	6	226-1748	6
		Connecting Rod Bearing	CB-1226P	6	CB-1226P	6
		Undersizes	P-10-20-30-40	P-10-20-30-40		
		Main Bearing Set	MS-1687P	1	MS-1687P	1
		Undersizes	P-10-20-30	P-10-20-30		
		Engine Cylinder Head Gasket Set / In-frame Overhaul Set	HS5858-3	1	EK3518-1	1
		Engine Conversion Gasket Set	CS5858-4	1		

LINE #	NOTES	PART DESCRIPTION	OVERHAUL	QTY	IN-FRAME	QTY
8 (cont.)	5.5000" 855 CID (14.0L) 6 Cyl ; Turbocharged-Aftercooled NT Series					8 (cont.)
8.16	Big Cam Connecting Rod Bearings Premium Plus Sleeve Assembly With Standard Size Sleeves OE Rod Bearing Number(s) 214950 OE Main Bearing Number(s) 3801260	Kit Number	459-1076	459-5015		
		Cylinder Sleeve Assembly	226-1748	6	226-1748	6
		Connecting Rod Bearing	CB-1226P	6	CB-1226P	6
		Undersizes	P-10-20-30-40	P-10-20-30-40		
		Main Bearing Set	MS-1687P	1	MS-1687P	1
		Undersizes	P-10-20-30	P-10-20-30		
		Engine Cylinder Head Gasket Set / In-frame Overhaul Set	HS5858-3	1	EK3518-1	1
		Engine Conversion Gasket Set	CS5858-13	1		
8.17	Big Cam Connecting Rod Bearings Premium Plus Sleeve Assembly With 0.020"/0.040" Oversized Lower Press Fit Sleeves OE Rod Bearing Number(s) 214950 OE Main Bearing Number(s) 3801260	Kit Number	459-1016	459-5016		
		Cylinder Sleeve Assembly	226-1796	6	226-1796	6
		Connecting Rod Bearing	CB-1226P	6	CB-1226P	6
		Undersizes	P-10-20-30-40	P-10-20-30-40		
		Main Bearing Set	MS-1687P	1	MS-1687P	1
		Undersizes	P-10-20-30	P-10-20-30		
		Engine Cylinder Head Gasket Set / In-frame Overhaul Set	HS5858-3	1	EK3518-1	1
		Engine Conversion Gasket Set	CS5858-2	1		
8.18	Big Cam Connecting Rod Bearings Premium Plus Sleeve Assembly With 0.020"/0.040" Oversized Lower Press Fit Sleeves OE Rod Bearing Number(s) 214950 OE Main Bearing Number(s) 3801260	Kit Number	459-1077	459-5016		
		Cylinder Sleeve Assembly	226-1796	6	226-1796	6
		Connecting Rod Bearing	CB-1226P	6	CB-1226P	6
		Undersizes	P-10-20-30-40	P-10-20-30-40		
		Main Bearing Set	MS-1687P	1	MS-1687P	1
		Undersizes	P-10-20-30	P-10-20-30		
		Engine Cylinder Head Gasket Set / In-frame Overhaul Set	HS5858-3	1	EK3518-1	1
		Engine Conversion Gasket Set	CS5858-7	1		
8.19	Big Cam Connecting Rod Bearings Premium Plus Sleeve Assembly With 0.020"/0.040" Oversized Lower Press Fit Sleeves OE Rod Bearing Number(s) 214950 OE Main Bearing Number(s) 3801260	Kit Number	459-1078	459-5016		
		Cylinder Sleeve Assembly	226-1796	6	226-1796	6
		Connecting Rod Bearing	CB-1226P	6	CB-1226P	6
		Undersizes	P-10-20-30-40	P-10-20-30-40		
		Main Bearing Set	MS-1687P	1	MS-1687P	1
		Undersizes	P-10-20-30	P-10-20-30		
		Engine Cylinder Head Gasket Set / In-frame Overhaul Set	HS5858-3	1	EK3518-1	1
		Engine Conversion Gasket Set	CS5858-4	1		
8.20	Big Cam Connecting Rod Bearings Premium Plus Sleeve Assembly With 0.020"/0.040" Oversized Lower Press Fit Sleeves OE Rod Bearing Number(s) 214950 OE Main Bearing Number(s) 3801260	Kit Number	459-1079	459-5016		
		Cylinder Sleeve Assembly	226-1796	6	226-1796	6
		Connecting Rod Bearing	CB-1226P	6	CB-1226P	6
		Undersizes	P-10-20-30-40	P-10-20-30-40		
		Main Bearing Set	MS-1687P	1	MS-1687P	1
		Undersizes	P-10-20-30	P-10-20-30		
		Engine Cylinder Head Gasket Set / In-frame Overhaul Set	HS5858-3	1	EK3518-1	1
		Engine Conversion Gasket Set	CS5858-13	1		

LINE #	NOTES	PART DESCRIPTION	OVERHAUL	QTY	IN-FRAME	QTY
8 (cont.)	5.5000" 855 CID (14.0L) 6 Cyl ; Turbocharged-Aftercooled NT Series					8 (cont.)
8.21	Big Cam Connecting Rod Bearings Premium Sleeve Assembly With Standard Size Sleeves OE Rod Bearing Number(s) 214950 OE Main Bearing Number(s) 3801260	Kit Number	459-1017	459-5017		
		Cylinder Sleeve Assembly	226-1771	6	226-1771	6
		Connecting Rod Bearing	CB-1226P	6	CB-1226P	6
		Undersizes	P-10-20-30-40		P-10-20-30-40	
		Main Bearing Set	MS-1687P	1	MS-1687P	1
		Undersizes	P-10-20-30		P-10-20-30	
		Engine Cylinder Head Gasket Set / In-frame Overhaul Set	HS5858-3	1	EK3518-1	1
		Engine Conversion Gasket Set	CS5858-4	1		
8.22	Big Cam Connecting Rod Bearings Premium Sleeve Assembly With Standard Size Sleeves OE Rod Bearing Number(s) 214950 OE Main Bearing Number(s) 3801260	Kit Number	459-1080	459-5017		
		Cylinder Sleeve Assembly	226-1771	6	226-1771	6
		Connecting Rod Bearing	CB-1226P	6	CB-1226P	6
		Undersizes	P-10-20-30-40		P-10-20-30-40	
		Main Bearing Set	MS-1687P	1	MS-1687P	1
		Undersizes	P-10-20-30		P-10-20-30	
		Engine Cylinder Head Gasket Set / In-frame Overhaul Set	HS5858-3	1	EK3518-1	1
		Engine Conversion Gasket Set	CS5858-2	1		
8.23	Big Cam Connecting Rod Bearings Premium Sleeve Assembly With Standard Size Sleeves OE Rod Bearing Number(s) 214950 OE Main Bearing Number(s) 3801260	Kit Number	459-1082	459-5017		
		Cylinder Sleeve Assembly	226-1771	6	226-1771	6
		Connecting Rod Bearing	CB-1226P	6	CB-1226P	6
		Undersizes	P-10-20-30-40		P-10-20-30-40	
		Main Bearing Set	MS-1687P	1	MS-1687P	1
		Undersizes	P-10-20-30		P-10-20-30	
		Engine Cylinder Head Gasket Set / In-frame Overhaul Set	HS5858-3	1	EK3518-1	1
		Engine Conversion Gasket Set	CS5858-5	1		
8.24	Big Cam Connecting Rod Bearings Premium Sleeve Assembly With Standard Size Sleeves OE Rod Bearing Number(s) 214950 OE Main Bearing Number(s) 3801260	Kit Number	459-1442	459-5017		
		Cylinder Sleeve Assembly	226-1771	6	226-1771	6
		Connecting Rod Bearing	CB-1226P	6	CB-1226P	6
		Undersizes	P-10-20-30-40		P-10-20-30-40	
		Main Bearing Set	MS-1687P	1	MS-1687P	1
		Undersizes	P-10-20-30		P-10-20-30	
		Engine Cylinder Head Gasket Set / In-frame Overhaul Set	HS5858-3	1	EK3518-1	1
		Engine Conversion Gasket Set	CS5858-13	1		
8.25	Big Cam Connecting Rod Bearings Premium Plus Sleeve Assembly With Standard Size Sleeves OE Rod Bearing Number(s) 214950 OE Main Bearing Number(s) 3801260	Kit Number	459-1018	459-5018		
		Cylinder Sleeve Assembly	226-1750	6	226-1750	6
		Connecting Rod Bearing	CB-1226P	6	CB-1226P	6
		Undersizes	P-10-20-30-40		P-10-20-30-40	
		Main Bearing Set	MS-1687P	1	MS-1687P	1
		Undersizes	P-10-20-30		P-10-20-30	
		Engine Cylinder Head Gasket Set / In-frame Overhaul Set	HS5858-3	1	EK3518-1	1
		Engine Conversion Gasket Set	CS5858-4	1		

LINE #	NOTES	PART DESCRIPTION	OVERHAUL	QTY	IN-FRAME	QTY
8 (cont.)	5.5000" 855 CID (14.0L) 6 Cyl ; Turbocharged-Aftercooled NT Series					8 (cont.)
8.26	Big Cam Connecting Rod Bearings Premium Plus Sleeve Assembly With Standard Size Sleeves OE Rod Bearing Number(s) 214950 OE Main Bearing Number(s) 3801260	Kit Number	459-1085		459-5018	
		Cylinder Sleeve Assembly	226-1750	6	226-1750	6
		Connecting Rod Bearing	CB-1226P	6	CB-1226P	6
		Undersizes	P-10-20-30-40		P-10-20-30-40	
		Main Bearing Set	MS-1687P	1	MS-1687P	1
		Undersizes	P-10-20-30		P-10-20-30	
		Engine Cylinder Head Gasket Set / In-frame Overhaul Set	HS5858-3	1	EK3518-1	1
		Engine Conversion Gasket Set	CS5858-5	1		
8.27	Big Cam Connecting Rod Bearings Premium Plus Sleeve Assembly With 0.020"/0.040" Oversized Lower Press Fit Sleeves OE Rod Bearing Number(s) 214950 OE Main Bearing Number(s) 3801260	Kit Number	459-1019		459-5019	
		Cylinder Sleeve Assembly	226-1794	6	226-1794	6
		Connecting Rod Bearing	CB-1226P	6	CB-1226P	6
		Undersizes	P-10-20-30-40		P-10-20-30-40	
		Main Bearing Set	MS-1687P	1	MS-1687P	1
		Undersizes	P-10-20-30		P-10-20-30	
		Engine Cylinder Head Gasket Set / In-frame Overhaul Set	HS5858-3	1	EK3518-1	1
		Engine Conversion Gasket Set	CS5858-4	1		
8.28	Big Cam Connecting Rod Bearings Premium Plus Sleeve Assembly With 0.020"/0.040" Oversized Lower Press Fit Sleeves OE Rod Bearing Number(s) 214950 OE Main Bearing Number(s) 3801260	Kit Number	459-1086		459-5019	
		Cylinder Sleeve Assembly	226-1794	6	226-1794	6
		Connecting Rod Bearing	CB-1226P	6	CB-1226P	6
		Undersizes	P-10-20-30-40		P-10-20-30-40	
		Main Bearing Set	MS-1687P	1	MS-1687P	1
		Undersizes	P-10-20-30		P-10-20-30	
		Engine Cylinder Head Gasket Set / In-frame Overhaul Set	HS5858-3	1	EK3518-1	1
		Engine Conversion Gasket Set	CS5858-2	1		
8.29	Big Cam Connecting Rod Bearings Premium Plus Sleeve Assembly With 0.020"/0.040" Oversized Lower Press Fit Sleeves OE Rod Bearing Number(s) 214950 OE Main Bearing Number(s) 3801260	Kit Number	459-1087		459-5019	
		Cylinder Sleeve Assembly	226-1794	6	226-1794	6
		Connecting Rod Bearing	CB-1226P	6	CB-1226P	6
		Undersizes	P-10-20-30-40		P-10-20-30-40	
		Main Bearing Set	MS-1687P	1	MS-1687P	1
		Undersizes	P-10-20-30		P-10-20-30	
		Engine Cylinder Head Gasket Set / In-frame Overhaul Set	HS5858-3	1	EK3518-1	1
		Engine Conversion Gasket Set	CS5858-5	1		
8.30	Big Cam Connecting Rod Bearings Premium Plus Sleeve Assembly With 0.020"/0.040" Oversized Lower Press Fit Sleeves OE Rod Bearing Number(s) 214950 OE Main Bearing Number(s) 3801260	Kit Number	459-1443		459-5019	
		Cylinder Sleeve Assembly	226-1794	6	226-1794	6
		Connecting Rod Bearing	CB-1226P	6	CB-1226P	6
		Undersizes	P-10-20-30-40		P-10-20-30-40	
		Main Bearing Set	MS-1687P	1	MS-1687P	1
		Undersizes	P-10-20-30		P-10-20-30	
		Engine Cylinder Head Gasket Set / In-frame Overhaul Set	HS5858-3	1	EK3518-1	1
		Engine Conversion Gasket Set	CS5858-13	1		

LINE #	NOTES	PART DESCRIPTION	OVERHAUL	QTY	IN-FRAME	QTY
8 (cont.)	5.5000" 855 CID (14.0L) 6 Cyl ; Turbocharged-Aftercooled NT Series					8 (cont.)
8.31	Big Cam Connecting Rod Bearings Premium Sleeve Assembly With Standard Size Sleeves OE Rod Bearing Number(s) 214950 OE Main Bearing Number(s) 3801260	Kit Number	459-1020	459-5020		
		Cylinder Sleeve Assembly	226-1772	6	226-1772	6
		Connecting Rod Bearing	CB-1226P	6	CB-1226P	6
		Undersizes	P-10-20-30-40	P-10-20-30-40		
		Main Bearing Set	MS-1687P	1	MS-1687P	1
		Undersizes	P-10-20-30	P-10-20-30		
		Engine Cylinder Head Gasket Set / In-frame Overhaul Set	HS5858-3	1	EK3518-1	1
		Engine Conversion Gasket Set	CS5858-2	1		
8.32	Big Cam Connecting Rod Bearings Premium Sleeve Assembly With Standard Size Sleeves OE Rod Bearing Number(s) 214950 OE Main Bearing Number(s) 3801260	Kit Number	459-1088	459-5020		
		Cylinder Sleeve Assembly	226-1772	6	226-1772	6
		Connecting Rod Bearing	CB-1226P	6	CB-1226P	6
		Undersizes	P-10-20-30-40	P-10-20-30-40		
		Main Bearing Set	MS-1687P	1	MS-1687P	1
		Undersizes	P-10-20-30	P-10-20-30		
		Engine Cylinder Head Gasket Set / In-frame Overhaul Set	HS5858-3	1	EK3518-1	1
		Engine Conversion Gasket Set	CS5858-13	1		
8.33	Big Cam Connecting Rod Bearings Premium Sleeve Assembly With Standard Size Sleeves OE Rod Bearing Number(s) 214950 OE Main Bearing Number(s) 3801260	Kit Number	459-1091	459-5020		
		Cylinder Sleeve Assembly	226-1772	6	226-1772	6
		Connecting Rod Bearing	CB-1226P	6	CB-1226P	6
		Undersizes	P-10-20-30-40	P-10-20-30-40		
		Main Bearing Set	MS-1687P	1	MS-1687P	1
		Undersizes	P-10-20-30	P-10-20-30		
		Engine Cylinder Head Gasket Set / In-frame Overhaul Set	HS5858-3	1	EK3518-1	1
		Engine Conversion Gasket Set	CS5858-4	1		
8.34	Big Cam Connecting Rod Bearings Premium Plus Sleeve Assembly With Standard Size Sleeves OE Rod Bearing Number(s) 214950 OE Main Bearing Number(s) 3801260	Kit Number	459-1092	459-5020		
		Cylinder Sleeve Assembly	226-1772	6	226-1772	6
		Connecting Rod Bearing	CB-1226P	6	CB-1226P	6
		Undersizes	P-10-20-30-40	P-10-20-30-40		
		Main Bearing Set	MS-1687P	1	MS-1687P	1
		Undersizes	P-10-20-30	P-10-20-30		
		Engine Cylinder Head Gasket Set / In-frame Overhaul Set	HS5858-3	1	EK3518-1	1
		Engine Conversion Gasket Set	CS5858-5	1		
8.35	Big Cam Connecting Rod Bearings Premium Plus Sleeve Assembly With Standard Size Sleeves OE Rod Bearing Number(s) 214950 OE Main Bearing Number(s) 3801260	Kit Number	459-1021	459-5021		
		Cylinder Sleeve Assembly	226-1749	6	226-1749	6
		Connecting Rod Bearing	CB-1226P	6	CB-1226P	6
		Undersizes	P-10-20-30-40	P-10-20-30-40		
		Main Bearing Set	MS-1687P	1	MS-1687P	1
		Undersizes	P-10-20-30	P-10-20-30		
		Engine Cylinder Head Gasket Set / In-frame Overhaul Set	HS5858-3	1	EK3518-1	1
		Engine Conversion Gasket Set	CS5858-2	1		

LINE #	NOTES	PART DESCRIPTION	OVERHAUL	QTY	IN-FRAME	QTY
8 (cont.)	5.5000" 855 CID (14.0L) 6 Cyl ; Turbocharged-Aftercooled NT Series					8 (cont.)
8.36	Big Cam Connecting Rod Bearings Premium Plus Sleeve Assembly With Standard Size Sleeves OE Rod Bearing Number(s) 214950 OE Main Bearing Number(s) 3801260	Kit Number	459-1093		459-5021	
		Cylinder Sleeve Assembly	226-1749	6	226-1749	6
		Connecting Rod Bearing	CB-1226P	6	CB-1226P	6
		Undersizes	P-10-20-30-40		P-10-20-30-40	
		Main Bearing Set	MS-1687P	1	MS-1687P	1
		Undersizes	P-10-20-30		P-10-20-30	
		Engine Cylinder Head Gasket Set / In-frame Overhaul Set	HS5858-3	1	EK3518-1	1
		Engine Conversion Gasket Set	CS5858-13	1		
8.37	Big Cam Connecting Rod Bearings Premium Plus Sleeve Assembly With Standard Size Sleeves OE Rod Bearing Number(s) 214950 OE Main Bearing Number(s) 3801260	Kit Number	459-1096		459-5021	
		Cylinder Sleeve Assembly	226-1749	6	226-1749	6
		Connecting Rod Bearing	CB-1226P	6	CB-1226P	6
		Undersizes	P-10-20-30-40		P-10-20-30-40	
		Main Bearing Set	MS-1687P	1	MS-1687P	1
		Undersizes	P-10-20-30		P-10-20-30	
		Engine Cylinder Head Gasket Set / In-frame Overhaul Set	HS5858-3	1	EK3518-1	1
		Engine Conversion Gasket Set	CS5858-4	1		
8.38	Big Cam Connecting Rod Bearings Premium Plus Sleeve Assembly With Standard Size Sleeves OE Rod Bearing Number(s) 214950 OE Main Bearing Number(s) 3801260	Kit Number	459-1097		459-5021	
		Cylinder Sleeve Assembly	226-1749	6	226-1749	6
		Connecting Rod Bearing	CB-1226P	6	CB-1226P	6
		Undersizes	P-10-20-30-40		P-10-20-30-40	
		Main Bearing Set	MS-1687P	1	MS-1687P	1
		Undersizes	P-10-20-30		P-10-20-30	
		Engine Cylinder Head Gasket Set / In-frame Overhaul Set	HS5858-3	1	EK3518-1	1
		Engine Conversion Gasket Set	CS5858-5	1		
8.39	Big Cam Connecting Rod Bearings Premium Plus Sleeve Assembly With 0.020"/0.040" Oversized Lower Press Fit Sleeves OE Rod Bearing Number(s) 214950 OE Main Bearing Number(s) 3801260	Kit Number	459-1022		459-5022	
		Cylinder Sleeve Assembly	226-1792	6	226-1792	6
		Connecting Rod Bearing	CB-1226P	6	CB-1226P	6
		Undersizes	P-10-20-30-40		P-10-20-30-40	
		Main Bearing Set	MS-1687P	1	MS-1687P	1
		Undersizes	P-10-20-30		P-10-20-30	
		Engine Cylinder Head Gasket Set	HS5858-3	1	HS5858-3	1
		Engine Conversion Gasket Set / Engine Oil Pan Gasket Set	CS5858-2	1	OS21996	1
8.40	Big Cam Connecting Rod Bearings Premium Plus Sleeve Assembly With 0.020"/0.040" Oversized Lower Press Fit Sleeves OE Rod Bearing Number(s) 214950 OE Main Bearing Number(s) 3801260	Kit Number	459-1098		459-5022	
		Cylinder Sleeve Assembly	226-1792	6	226-1792	6
		Connecting Rod Bearing	CB-1226P	6	CB-1226P	6
		Undersizes	P-10-20-30-40		P-10-20-30-40	
		Main Bearing Set	MS-1687P	1	MS-1687P	1
		Undersizes	P-10-20-30		P-10-20-30	
		Engine Cylinder Head Gasket Set	HS5858-3	1	HS5858-3	1
		Engine Conversion Gasket Set / Engine Oil Pan Gasket Set	CS5858-13	1	OS21996	1

LINE #	NOTES	PART DESCRIPTION	OVERHAUL	QTY	IN-FRAME	QTY
8 (cont.)	5.5000" 855 CID (14.0L) 6 Cyl ; Turbocharged-Aftercooled NT Series					8 (cont.)
8.41	Big Cam Connecting Rod Bearings Premium Plus Sleeve Assembly With 0.020"/0.040" Oversized Lower Press Fit Sleeves OE Rod Bearing Number(s) 214950 OE Main Bearing Number(s) 3801260	Kit Number	459-1100	459-5022		
		Cylinder Sleeve Assembly	226-1792	6	226-1792	6
		Connecting Rod Bearing	CB-1226P	6	CB-1226P	6
		Undersizes	P-10-20-30-40		P-10-20-30-40	
		Main Bearing Set	MS-1687P	1	MS-1687P	1
		Undersizes	P-10-20-30		P-10-20-30	
		Engine Cylinder Head Gasket Set	HS5858-3	1	HS5858-3	1
		Engine Conversion Gasket Set / Engine Oil Pan Gasket Set	CS5858-4	1	OS21996	1
8.42	Big Cam Connecting Rod Bearings Premium Plus Sleeve Assembly With 0.020"/0.040" Oversized Lower Press Fit Sleeves OE Rod Bearing Number(s) 214950 OE Main Bearing Number(s) 3801260	Kit Number	459-1102	459-5022		
		Cylinder Sleeve Assembly	226-1792	6	226-1792	6
		Connecting Rod Bearing	CB-1226P	6	CB-1226P	6
		Undersizes	P-10-20-30-40		P-10-20-30-40	
		Main Bearing Set	MS-1687P	1	MS-1687P	1
		Undersizes	P-10-20-30		P-10-20-30	
		Engine Cylinder Head Gasket Set	HS5858-3	1	HS5858-3	1
		Engine Conversion Gasket Set / Engine Oil Pan Gasket Set	CS5858-5	1	OS21996	1
8.43	Big Cam Connecting Rod Bearings Premium Sleeve Assembly With Standard Size Sleeves OE Rod Bearing Number(s) 214950 OE Main Bearing Number(s) 3801260	Kit Number	459-1023	459-5023		
		Cylinder Sleeve Assembly	226-1773	6	226-1773	6
		Connecting Rod Bearing	CB-1226P	6	CB-1226P	6
		Undersizes	P-10-20-30-40		P-10-20-30-40	
		Main Bearing Set	MS-1687P	1	MS-1687P	1
		Undersizes	P-10-20-30		P-10-20-30	
		Engine Cylinder Head Gasket Set / In-frame Overhaul Set	HS5858-3	1	EK3518-1	1
		Engine Conversion Gasket Set	CS5858-4	1		
8.44	Big Cam Connecting Rod Bearings Premium Sleeve Assembly With Standard Size Sleeves OE Rod Bearing Number(s) 214950 OE Main Bearing Number(s) 3801260	Kit Number	459-1103	459-5023		
		Cylinder Sleeve Assembly	226-1773	6	226-1773	6
		Connecting Rod Bearing	CB-1226P	6	CB-1226P	6
		Undersizes	P-10-20-30-40		P-10-20-30-40	
		Main Bearing Set	MS-1687P	1	MS-1687P	1
		Undersizes	P-10-20-30		P-10-20-30	
		Engine Cylinder Head Gasket Set / In-frame Overhaul Set	HS5858-3	1	EK3518-1	1
		Engine Conversion Gasket Set	CS5858-5	1		
8.45	Big Cam Connecting Rod Bearings Premium Sleeve Assembly With Standard Size Sleeves OE Rod Bearing Number(s) 214950 OE Main Bearing Number(s) 3801260	Kit Number	459-1104	459-5023		
		Cylinder Sleeve Assembly	226-1773	6	226-1773	6
		Connecting Rod Bearing	CB-1226P	6	CB-1226P	6
		Undersizes	P-10-20-30-40		P-10-20-30-40	
		Main Bearing Set	MS-1687P	1	MS-1687P	1
		Undersizes	P-10-20-30		P-10-20-30	
		Engine Cylinder Head Gasket Set / In-frame Overhaul Set	HS5858-3	1	EK3518-1	1
		Engine Conversion Gasket Set	CS5858-13	1		

LINE #	NOTES	PART DESCRIPTION	OVERHAUL	QTY	IN-FRAME	QTY
8 (cont.)	5.5000" 855 CID (14.0L) 6 Cyl ; Turbocharged-Aftercooled NT Series					8 (cont.)
8.46	Big Cam Connecting Rod Bearings Premium Plus Sleeve Assembly With Standard Size Sleeves OE Rod Bearing Number(s) 214950 OE Main Bearing Number(s) 3801260	Kit Number	459-1024		459-5024	
		Cylinder Sleeve Assembly	226-1745	6	226-1745	6
		Connecting Rod Bearing	CB-1226P	6	CB-1226P	6
		Undersizes	P-10-20-30-40		P-10-20-30-40	
		Main Bearing Set	MS-1687P	1	MS-1687P	1
		Undersizes	P-10-20-30		P-10-20-30	
		Engine Cylinder Head Gasket Set / In-frame Overhaul Set	HS5858-3	1	EK3518-1	1
		Engine Conversion Gasket Set	CS5858-4	1		
8.47	Big Cam Connecting Rod Bearings Premium Plus Sleeve Assembly With Standard Size Sleeves OE Rod Bearing Number(s) 214950 OE Main Bearing Number(s) 3801260	Kit Number	459-1105		459-5024	
		Cylinder Sleeve Assembly	226-1745	6	226-1745	6
		Connecting Rod Bearing	CB-1226P	6	CB-1226P	6
		Undersizes	P-10-20-30-40		P-10-20-30-40	
		Main Bearing Set	MS-1687P	1	MS-1687P	1
		Undersizes	P-10-20-30		P-10-20-30	
		Engine Cylinder Head Gasket Set / In-frame Overhaul Set	HS5858-3	1	EK3518-1	1
		Engine Conversion Gasket Set	CS5858-5	1		
8.48	Big Cam Connecting Rod Bearings Premium Plus Sleeve Assembly With Standard Size Sleeves OE Rod Bearing Number(s) 214950 OE Main Bearing Number(s) 3801260	Kit Number	459-1106		459-5024	
		Cylinder Sleeve Assembly	226-1745	6	226-1745	6
		Connecting Rod Bearing	CB-1226P	6	CB-1226P	6
		Undersizes	P-10-20-30-40		P-10-20-30-40	
		Main Bearing Set	MS-1687P	1	MS-1687P	1
		Undersizes	P-10-20-30		P-10-20-30	
		Engine Cylinder Head Gasket Set / In-frame Overhaul Set	HS5858-3	1	EK3518-1	1
		Engine Conversion Gasket Set	CS5858-6	1		
8.49	Big Cam Connecting Rod Bearings Premium Plus Sleeve Assembly With 0.020"/0.040" Oversized Lower Press Fit Sleeves OE Rod Bearing Number(s) 214950 OE Main Bearing Number(s) 3801260	Kit Number	459-1025		459-5025	
		Cylinder Sleeve Assembly	226-1793	6	226-1793	6
		Connecting Rod Bearing	CB-1226P	6	CB-1226P	6
		Undersizes	P-10-20-30-40		P-10-20-30-40	
		Main Bearing Set	MS-1687P	1	MS-1687P	1
		Undersizes	P-10-20-30		P-10-20-30	
		Engine Cylinder Head Gasket Set / In-frame Overhaul Set	HS5858-3	1	EK3518-1	1
		Engine Conversion Gasket Set	CS5858-4	1		
8.50	Big Cam Connecting Rod Bearings Premium Plus Sleeve Assembly With 0.020"/0.040" Oversized Lower Press Fit Sleeves OE Rod Bearing Number(s) 214950 OE Main Bearing Number(s) 3801260	Kit Number	459-1107		459-5025	
		Cylinder Sleeve Assembly	226-1793	6	226-1793	6
		Connecting Rod Bearing	CB-1226P	6	CB-1226P	6
		Undersizes	P-10-20-30-40		P-10-20-30-40	
		Main Bearing Set	MS-1687P	1	MS-1687P	1
		Undersizes	P-10-20-30		P-10-20-30	
		Engine Cylinder Head Gasket Set / In-frame Overhaul Set	HS5858-3	1	EK3518-1	1
		Engine Conversion Gasket Set	CS5858-5	1		

LINE #	NOTES	PART DESCRIPTION	OVERHAUL	QTY	IN-FRAME	QTY
8 (cont.)	5.5000" 855 CID (14.0L) 6 Cyl ; Turbocharged-Aftercooled NT Series					8 (cont.)
8.51	Big Cam Connecting Rod Bearings Premium Plus Sleeve Assembly With 0.020"/0.040" Oversized Lower Press Fit Sleeves OE Rod Bearing Number(s) 214950 OE Main Bearing Number(s) 3801260	Kit Number	459-1108	459-5025		
		Cylinder Sleeve Assembly	226-1793	6	226-1793	6
		Connecting Rod Bearing	CB-1226P	6	CB-1226P	6
		Undersizes	P-10-20-30-40		P-10-20-30-40	
		Main Bearing Set	MS-1687P	1	MS-1687P	1
		Undersizes	P-10-20-30		P-10-20-30	
		Engine Cylinder Head Gasket Set / In-frame Overhaul Set	HS5858-3	1	EK3518-1	1
		Engine Conversion Gasket Set	CS5858-13	1		
8.52	Big Cam Connecting Rod Bearings Premium Sleeve Assembly With Standard Size Sleeves OE Rod Bearing Number(s) 214950 OE Main Bearing Number(s) 3801260	Kit Number	459-1029	459-5029		
		Cylinder Sleeve Assembly	226-1646	6	226-1646	6
		Connecting Rod Bearing	CB-1226P	6	CB-1226P	6
		Undersizes	P-10-20-30-40		P-10-20-30-40	
		Main Bearing Set	MS-1687P	1	MS-1687P	1
		Undersizes	P-10-20-30		P-10-20-30	
		Engine Cylinder Head Gasket Set / In-frame Overhaul Set	HS5858-3	1	EK3518-1	1
		Engine Conversion Gasket Set	CS5858-7	1		
8.53	Big Cam Connecting Rod Bearings Premium Sleeve Assembly With Standard Size Sleeves OE Rod Bearing Number(s) 214950 OE Main Bearing Number(s) 3801260	Kit Number	459-1140	459-5029		
		Cylinder Sleeve Assembly	226-1646	6	226-1646	6
		Connecting Rod Bearing	CB-1226P	6	CB-1226P	6
		Undersizes	P-10-20-30-40		P-10-20-30-40	
		Main Bearing Set	MS-1687P	1	MS-1687P	1
		Undersizes	P-10-20-30		P-10-20-30	
		Engine Cylinder Head Gasket Set / In-frame Overhaul Set	HS5858-3	1	EK3518-1	1
		Engine Conversion Gasket Set	CS5858-2	1		
8.54	Big Cam Connecting Rod Bearings Premium Plus Sleeve Assembly With Standard Size Sleeves OE Rod Bearing Number(s) 214950 OE Main Bearing Number(s) 3801260	Kit Number	459-1030	459-5030		
		Cylinder Sleeve Assembly	226-1775	6	226-1775	6
		Connecting Rod Bearing	CB-1226P	6	CB-1226P	6
		Undersizes	P-10-20-30-40		P-10-20-30-40	
		Main Bearing Set	MS-1687P	1	MS-1687P	1
		Undersizes	P-10-20-30		P-10-20-30	
		Engine Cylinder Head Gasket Set / In-frame Overhaul Set	HS5858-3	1	EK3518-1	1
		Engine Conversion Gasket Set	CS5858-7	1		
8.55	Big Cam Connecting Rod Bearings Premium Plus Sleeve Assembly With Standard Size Sleeves OE Rod Bearing Number(s) 214950 OE Main Bearing Number(s) 3801260	Kit Number	459-1141	459-5030		
		Cylinder Sleeve Assembly	226-1775	6	226-1775	6
		Connecting Rod Bearing	CB-1226P	6	CB-1226P	6
		Undersizes	P-10-20-30-40		P-10-20-30-40	
		Main Bearing Set	MS-1687P	1	MS-1687P	1
		Undersizes	P-10-20-30		P-10-20-30	
		Engine Cylinder Head Gasket Set / In-frame Overhaul Set	HS5858-3	1	EK3518-1	1
		Engine Conversion Gasket Set	CS5858-2	1		

LINE #	NOTES	PART DESCRIPTION	OVERHAUL	QTY	IN-FRAME	QTY
8 (cont.)	5.5000" 855 CID (14.0L) 6 Cyl ; Turbocharged-Aftercooled NT Series					8 (cont.)
8.56	Big Cam Connecting Rod Bearings Premium Sleeve Assembly With Standard Size Sleeves OE Rod Bearing Number(s) 214950 OE Main Bearing Number(s) 3801260	Kit Number	459-1032		459-5032	
		Cylinder Sleeve Assembly	226-1747	6	226-1747	6
		Connecting Rod Bearing	CB-1226P	6	CB-1226P	6
		Undersizes	P-10-20-30-40		P-10-20-30-40	
		Main Bearing Set	MS-1687P	1	MS-1687P	1
		Undersizes	P-10-20-30		P-10-20-30	
		Engine Cylinder Head Gasket Set / In-frame Overhaul Set	HS5858-3	1	EK3518-1	1
		Engine Conversion Gasket Set	CS5858-7	1		
8.57	Big Cam Connecting Rod Bearings Premium Sleeve Assembly With Standard Size Sleeves OE Rod Bearing Number(s) 214950 OE Main Bearing Number(s) 3801260	Kit Number	459-1143		459-5032	
		Cylinder Sleeve Assembly	226-1747	6	226-1747	6
		Connecting Rod Bearing	CB-1226P	6	CB-1226P	6
		Undersizes	P-10-20-30-40		P-10-20-30-40	
		Main Bearing Set	MS-1687P	1	MS-1687P	1
		Undersizes	P-10-20-30		P-10-20-30	
		Engine Cylinder Head Gasket Set / In-frame Overhaul Set	HS5858-3	1	EK3518-1	1
		Engine Conversion Gasket Set	CS5858-2	1		
8.58	Big Cam Connecting Rod Bearings Premium Sleeve Assembly With Standard Size Sleeves OE Rod Bearing Number(s) 214950 OE Main Bearing Number(s) 3801260	Kit Number	459-1144		459-5032	
		Cylinder Sleeve Assembly	226-1747	6	226-1747	6
		Connecting Rod Bearing	CB-1226P	6	CB-1226P	6
		Undersizes	P-10-20-30-40		P-10-20-30-40	
		Main Bearing Set	MS-1687P	1	MS-1687P	1
		Undersizes	P-10-20-30		P-10-20-30	
		Engine Cylinder Head Gasket Set / In-frame Overhaul Set	HS5858-3	1	EK3518-1	1
		Engine Conversion Gasket Set	CS5858-4	1		
8.59	Big Cam Connecting Rod Bearings Premium Sleeve Assembly With Standard Size Sleeves OE Rod Bearing Number(s) 214950 OE Main Bearing Number(s) 3801260	Kit Number	459-1033		459-5033	
		Cylinder Sleeve Assembly	226-1774	6	226-1774	6
		Connecting Rod Bearing	CB-1226P	6	CB-1226P	6
		Undersizes	P-10-20-30-40		P-10-20-30-40	
		Main Bearing Set	MS-1687P	1	MS-1687P	1
		Undersizes	P-10-20-30		P-10-20-30	
		Engine Cylinder Head Gasket Set / In-frame Overhaul Set	HS5858-3	1	EK3518-1	1
		Engine Conversion Gasket Set	CS5858-13	1		
8.60	Big Cam Connecting Rod Bearings Premium Sleeve Assembly With Standard Size Sleeves OE Rod Bearing Number(s) 214950 OE Main Bearing Number(s) 3801260	Kit Number	459-1146		459-5033	
		Cylinder Sleeve Assembly	226-1774	6	226-1774	6
		Connecting Rod Bearing	CB-1226P	6	CB-1226P	6
		Undersizes	P-10-20-30-40		P-10-20-30-40	
		Main Bearing Set	MS-1687P	1	MS-1687P	1
		Undersizes	P-10-20-30		P-10-20-30	
		Engine Cylinder Head Gasket Set / In-frame Overhaul Set	HS5858-3	1	EK3518-1	1
		Engine Conversion Gasket Set	CS5858-2	1		

LINE #	NOTES	PART DESCRIPTION	OVERHAUL	QTY	IN-FRAME	QTY
8 (cont.)	5.5000" 855 CID (14.0L) 6 Cyl ; Turbocharged-Aftercooled NT Series					8 (cont.)
8.61	Big Cam Connecting Rod Bearings Premium Sleeve Assembly With Standard Size Sleeves OE Rod Bearing Number(s) 214950 OE Main Bearing Number(s) 3801260	Kit Number	459-1147		459-5033	
		Cylinder Sleeve Assembly	226-1774	6	226-1774	6
		Connecting Rod Bearing	CB-1226P	6	CB-1226P	6
		Undersizes	P-10-20-30-40		P-10-20-30-40	
		Main Bearing Set	MS-1687P	1	MS-1687P	1
		Undersizes	P-10-20-30		P-10-20-30	
		Engine Cylinder Head Gasket Set / In-frame Overhaul Set	HS5858-3	1	EK3518-1	1
		Engine Conversion Gasket Set	CS5858-4	1		
8.62	Big Cam Connecting Rod Bearings Dual Ni-Resist Piston Sleeve Assembly With Standard Size Sleeves OE Rod Bearing Number(s) 214950 OE Main Bearing Number(s) 3801260	Kit Number	459-1038		459-5038	
		Cylinder Sleeve Assembly	226-1831	6	226-1831	6
		Connecting Rod Bearing	CB-1226P	6	CB-1226P	6
		Undersizes	P-10-20-30-40		P-10-20-30-40	
		Main Bearing Set	MS-1687P	1	MS-1687P	1
		Undersizes	P-10-20-30		P-10-20-30	
		Engine Cylinder Head Gasket Set / In-frame Overhaul Set	HS5858-3	1	EK3518-1	1
		Engine Conversion Gasket Set	CS5858-2	1		
8.63	Big Cam Connecting Rod Bearings Dual Ni-Resist Piston Sleeve Assembly With Standard Size Sleeves OE Rod Bearing Number(s) 214950 OE Main Bearing Number(s) 3801260	Kit Number	459-1109		459-5038	
		Cylinder Sleeve Assembly	226-1831	6	226-1831	6
		Connecting Rod Bearing	CB-1226P	6	CB-1226P	6
		Undersizes	P-10-20-30-40		P-10-20-30-40	
		Main Bearing Set	MS-1687P	1	MS-1687P	1
		Undersizes	P-10-20-30		P-10-20-30	
		Engine Cylinder Head Gasket Set / In-frame Overhaul Set	HS5858-3	1	EK3518-1	1
		Engine Conversion Gasket Set	CS5858-13	1		
8.64	Big Cam Connecting Rod Bearings Dual Ni-Resist Piston Sleeve Assembly With Standard Size Sleeves OE Rod Bearing Number(s) 214950 OE Main Bearing Number(s) 3801260	Kit Number	459-1110		459-5038	
		Cylinder Sleeve Assembly	226-1831	6	226-1831	6
		Connecting Rod Bearing	CB-1226P	6	CB-1226P	6
		Undersizes	P-10-20-30-40		P-10-20-30-40	
		Main Bearing Set	MS-1687P	1	MS-1687P	1
		Undersizes	P-10-20-30		P-10-20-30	
		Engine Cylinder Head Gasket Set / In-frame Overhaul Set	HS5858-3	1	EK3518-1	1
		Engine Conversion Gasket Set	CS5858-4	1		
8.65	Big Cam Connecting Rod Bearings Dual Ni-Resist Piston Sleeve Assembly With Standard Size Sleeves OE Rod Bearing Number(s) 214950 OE Main Bearing Number(s) 3801260	Kit Number	459-1112		459-5038	
		Cylinder Sleeve Assembly	226-1831	6	226-1831	6
		Connecting Rod Bearing	CB-1226P	6	CB-1226P	6
		Undersizes	P-10-20-30-40		P-10-20-30-40	
		Main Bearing Set	MS-1687P	1	MS-1687P	1
		Undersizes	P-10-20-30		P-10-20-30	
		Engine Cylinder Head Gasket Set / In-frame Overhaul Set	HS5858-3	1	EK3518-1	1
		Engine Conversion Gasket Set	CS5858-5	1		



LINE #	NOTES	PART DESCRIPTION	OVERHAUL	QTY	IN-FRAME	QTY
8 (cont.)	5.5000" 855 CID (14.0L) 6 Cyl ; Turbocharged-Aftercooled NT Series					8 (cont.)
8.66	Big Cam Connecting Rod Bearings Dual Ni-Resist Piston Sleeve Assembly With Standard Size Sleeves OE Rod Bearing Number(s) 214950 OE Main Bearing Number(s) 3801260	Kit Number	459-1039	459-5039		
		Cylinder Sleeve Assembly	226-1831	6	226-1831	6
		Connecting Rod Bearing	CB-1226P	6	CB-1226P	6
		Undersizes	P-10-20-30-40	P-10-20-30-40		
		Main Bearing Set	MS-1687P	1	MS-1687P	1
		Undersizes	P-10-20-30	P-10-20-30		
		Engine Cylinder Head Gasket Set / In-frame Overhaul Set	HS5858-16	1	EK3520-1	1
		Engine Conversion Gasket Set	CS5858-6	1		
8.67	Big Cam Connecting Rod Bearings Dual Ni-Resist Piston Sleeve Assembly With 0.020"/0.040" Oversized Lower Press Fit Sleeves OE Rod Bearing Number(s) 214950 OE Main Bearing Number(s) 3801260	Kit Number	459-1040	459-5040		
		Cylinder Sleeve Assembly	226-1832	6	226-1832	6
		Connecting Rod Bearing	CB-1226P	6	CB-1226P	6
		Undersizes	P-10-20-30-40	P-10-20-30-40		
		Main Bearing Set	MS-1687P	1	MS-1687P	1
		Undersizes	P-10-20-30	P-10-20-30		
		Engine Cylinder Head Gasket Set / In-frame Overhaul Set	HS5858-3	1	EK3518-1	1
		Engine Conversion Gasket Set	CS5858-2	1		
8.68	Big Cam Connecting Rod Bearings Dual Ni-Resist Piston Sleeve Assembly With 0.020"/0.040" Oversized Lower Press Fit Sleeves OE Rod Bearing Number(s) 214950 OE Main Bearing Number(s) 3801260	Kit Number	459-1113	459-5040		
		Cylinder Sleeve Assembly	226-1832	6	226-1832	6
		Connecting Rod Bearing	CB-1226P	6	CB-1226P	6
		Undersizes	P-10-20-30-40	P-10-20-30-40		
		Main Bearing Set	MS-1687P	1	MS-1687P	1
		Undersizes	P-10-20-30	P-10-20-30		
		Engine Cylinder Head Gasket Set / In-frame Overhaul Set	HS5858-3	1	EK3518-1	1
		Engine Conversion Gasket Set	CS5858-13	1		
8.69	Big Cam Connecting Rod Bearings Dual Ni-Resist Piston Sleeve Assembly With 0.020"/0.040" Oversized Lower Press Fit Sleeves OE Rod Bearing Number(s) 214950 OE Main Bearing Number(s) 3801260	Kit Number	459-1114	459-5040		
		Cylinder Sleeve Assembly	226-1832	6	226-1832	6
		Connecting Rod Bearing	CB-1226P	6	CB-1226P	6
		Undersizes	P-10-20-30-40	P-10-20-30-40		
		Main Bearing Set	MS-1687P	1	MS-1687P	1
		Undersizes	P-10-20-30	P-10-20-30		
		Engine Cylinder Head Gasket Set / In-frame Overhaul Set	HS5858-3	1	EK3518-1	1
		Engine Conversion Gasket Set	CS5858-4	1		
8.70	Big Cam Connecting Rod Bearings Dual Ni-Resist Piston Sleeve Assembly With 0.020"/0.040" Oversized Lower Press Fit Sleeves OE Rod Bearing Number(s) 214950 OE Main Bearing Number(s) 3801260	Kit Number	459-1116	459-5040		
		Cylinder Sleeve Assembly	226-1832	6	226-1832	6
		Connecting Rod Bearing	CB-1226P	6	CB-1226P	6
		Undersizes	P-10-20-30-40	P-10-20-30-40		
		Main Bearing Set	MS-1687P	1	MS-1687P	1
		Undersizes	P-10-20-30	P-10-20-30		
		Engine Cylinder Head Gasket Set / In-frame Overhaul Set	HS5858-3	1	EK3518-1	1
		Engine Conversion Gasket Set	CS5858-5	1		

LINE #	NOTES	PART DESCRIPTION	OVERHAUL	QTY	IN-FRAME	QTY
8 (cont.)	5.5000" 855 CID (14.0L) 6 Cyl ; Turbocharged-Aftercooled NT Series					8 (cont.)
8.71	Big Cam Connecting Rod Bearings Dual Ni-Resist Piston Sleeve Assembly With 0.020"/0.040" Oversized Lower Press Fit Sleeves OE Rod Bearing Number(s) 214950 OE Main Bearing Number(s) 3801260	Kit Number	459-1041		459-5041	
		Cylinder Sleeve Assembly	226-1832	6	226-1832	6
		Connecting Rod Bearing	CB-1226P	6	CB-1226P	6
		Undersizes	P-10-20-30-40		P-10-20-30-40	
		Main Bearing Set	MS-1687P	1	MS-1687P	1
		Undersizes	P-10-20-30		P-10-20-30	
		Engine Cylinder Head Gasket Set / In-frame Overhaul Set	HS5858-16	1	EK3520-1	1
		Engine Conversion Gasket Set	CS5858-6	1		
8.72	Big Cam Connecting Rod Bearings Premium Sleeve Assembly With Standard Size Sleeves OE Rod Bearing Number(s) 214950 OE Main Bearing Number(s) 3801260	Kit Number	459-1042		459-5042	
		Cylinder Sleeve Assembly	226-1770	6	226-1770	6
		Connecting Rod Bearing	CB-1226P	6	CB-1226P	6
		Undersizes	P-10-20-30-40		P-10-20-30-40	
		Main Bearing Set	MS-1687P	1	MS-1687P	1
		Undersizes	P-10-20-30		P-10-20-30	
		Engine Cylinder Head Gasket Set / In-frame Overhaul Set	HS5858-3	1	EK3518-1	1
		Engine Conversion Gasket Set	CS5858-2	1		
8.73	Big Cam Connecting Rod Bearings Premium Sleeve Assembly With Standard Size Sleeves OE Rod Bearing Number(s) 214950 OE Main Bearing Number(s) 3801260	Kit Number	459-1117		459-5042	
		Cylinder Sleeve Assembly	226-1770	6	226-1770	6
		Connecting Rod Bearing	CB-1226P	6	CB-1226P	6
		Undersizes	P-10-20-30-40		P-10-20-30-40	
		Main Bearing Set	MS-1687P	1	MS-1687P	1
		Undersizes	P-10-20-30		P-10-20-30	
		Engine Cylinder Head Gasket Set / In-frame Overhaul Set	HS5858-3	1	EK3518-1	1
		Engine Conversion Gasket Set	CS5858-4	1		
8.74	Big Cam Connecting Rod Bearings Premium Sleeve Assembly With Standard Size Sleeves OE Rod Bearing Number(s) 214950 OE Main Bearing Number(s) 3801260	Kit Number	459-1118		459-5042	
		Cylinder Sleeve Assembly	226-1770	6	226-1770	6
		Connecting Rod Bearing	CB-1226P	6	CB-1226P	6
		Undersizes	P-10-20-30-40		P-10-20-30-40	
		Main Bearing Set	MS-1687P	1	MS-1687P	1
		Undersizes	P-10-20-30		P-10-20-30	
		Engine Cylinder Head Gasket Set / In-frame Overhaul Set	HS5858-3	1	EK3518-1	1
		Engine Conversion Gasket Set	CS5858-5	1		
8.75	Big Cam Connecting Rod Bearings Premium Sleeve Assembly With Standard Size Sleeves OE Rod Bearing Number(s) 214950 OE Main Bearing Number(s) 3801260	Kit Number	459-1119		459-5042	
		Cylinder Sleeve Assembly	226-1770	6	226-1770	6
		Connecting Rod Bearing	CB-1226P	6	CB-1226P	6
		Undersizes	P-10-20-30-40		P-10-20-30-40	
		Main Bearing Set	MS-1687P	1	MS-1687P	1
		Undersizes	P-10-20-30		P-10-20-30	
		Engine Cylinder Head Gasket Set / In-frame Overhaul Set	HS5858-3	1	EK3518-1	1
		Engine Conversion Gasket Set	CS5858-13	1		

LINE #	NOTES	PART DESCRIPTION	OVERHAUL	QTY	IN-FRAME	QTY
8 (cont.)	5.5000" 855 CID (14.0L) 6 Cyl ; Turbocharged-Aftercooled NT Series					8 (cont.)
8.76	Big Cam Connecting Rod Bearings Premium Sleeve Assembly With Standard Size Sleeves OE Rod Bearing Number(s) 214950 OE Main Bearing Number(s) 3801260	Kit Number	459-1043		459-5043	
		Cylinder Sleeve Assembly	226-1770	6	226-1770	6
		Connecting Rod Bearing	CB-1226P	6	CB-1226P	6
		Undersizes	P-10-20-30-40		P-10-20-30-40	
		Main Bearing Set	MS-1687P	1	MS-1687P	1
		Undersizes	P-10-20-30		P-10-20-30	
		Engine Cylinder Head Gasket Set / In-frame Overhaul Set	HS5858-16	1	EK3520-1	1
		Engine Conversion Gasket Set	CS5858-6	1		
8.77	Big Cam Connecting Rod Bearings Premium Plus Sleeve Assembly With Standard Size Sleeves OE Rod Bearing Number(s) 214950 OE Main Bearing Number(s) 3801260	Kit Number	459-1044		459-5044	
		Cylinder Sleeve Assembly	226-1760	6	226-1760	6
		Connecting Rod Bearing	CB-1226P	6	CB-1226P	6
		Undersizes	P-10-20-30-40		P-10-20-30-40	
		Main Bearing Set	MS-1687P	1	MS-1687P	1
		Undersizes	P-10-20-30		P-10-20-30	
		Engine Cylinder Head Gasket Set / In-frame Overhaul Set	HS5858-3	1	EK3518-1	1
		Engine Conversion Gasket Set	CS5858-2	1		
8.78	Big Cam Connecting Rod Bearings Premium Plus Sleeve Assembly With Standard Size Sleeves OE Rod Bearing Number(s) 214950 OE Main Bearing Number(s) 3801260	Kit Number	459-1120		459-5044	
		Cylinder Sleeve Assembly	226-1760	6	226-1760	6
		Connecting Rod Bearing	CB-1226P	6	CB-1226P	6
		Undersizes	P-10-20-30-40		P-10-20-30-40	
		Main Bearing Set	MS-1687P	1	MS-1687P	1
		Undersizes	P-10-20-30		P-10-20-30	
		Engine Cylinder Head Gasket Set / In-frame Overhaul Set	HS5858-3	1	EK3518-1	1
		Engine Conversion Gasket Set	CS5858-4	1		
8.79	Big Cam Connecting Rod Bearings Premium Plus Sleeve Assembly With Standard Size Sleeves OE Rod Bearing Number(s) 214950 OE Main Bearing Number(s) 3801260	Kit Number	459-1121		459-5044	
		Cylinder Sleeve Assembly	226-1760	6	226-1760	6
		Connecting Rod Bearing	CB-1226P	6	CB-1226P	6
		Undersizes	P-10-20-30-40		P-10-20-30-40	
		Main Bearing Set	MS-1687P	1	MS-1687P	1
		Undersizes	P-10-20-30		P-10-20-30	
		Engine Cylinder Head Gasket Set / In-frame Overhaul Set	HS5858-3	1	EK3518-1	1
		Engine Conversion Gasket Set	CS5858-5	1		
8.80	Big Cam Connecting Rod Bearings Premium Plus Sleeve Assembly With Standard Size Sleeves OE Rod Bearing Number(s) 214950 OE Main Bearing Number(s) 3801260	Kit Number	459-1122		459-5044	
		Cylinder Sleeve Assembly	226-1760	6	226-1760	6
		Connecting Rod Bearing	CB-1226P	6	CB-1226P	6
		Undersizes	P-10-20-30-40		P-10-20-30-40	
		Main Bearing Set	MS-1687P	1	MS-1687P	1
		Undersizes	P-10-20-30		P-10-20-30	
		Engine Cylinder Head Gasket Set / In-frame Overhaul Set	HS5858-3	1	EK3518-1	1
		Engine Conversion Gasket Set	CS5858-13	1		

LINE #	NOTES	PART DESCRIPTION	OVERHAUL	QTY	IN-FRAME	QTY
8 (cont.)	5.5000" 855 CID (14.0L) 6 Cyl ; Turbocharged-Aftercooled NT Series					8 (cont.)
8.81	Big Cam Connecting Rod Bearings Premium Plus Sleeve Assembly With Standard Size Sleeves OE Rod Bearing Number(s) 214950 OE Main Bearing Number(s) 3801260	Kit Number	459-1045	459-5045		
		Cylinder Sleeve Assembly	226-1760	6	226-1760	6
		Connecting Rod Bearing	CB-1226P	6	CB-1226P	6
		Undersizes	P-10-20-30-40	P-10-20-30-40		
		Main Bearing Set	MS-1687P	1	MS-1687P	1
		Undersizes	P-10-20-30	P-10-20-30		
		Engine Cylinder Head Gasket Set / In-frame Overhaul Set	HS5858-16	1	EK3520-1	1
		Engine Conversion Gasket Set	CS5858-6	1		
8.82	Big Cam Connecting Rod Bearings Dual Ni-Resist Piston Sleeve Assembly With Standard Size Sleeves OE Rod Bearing Number(s) 214950 OE Main Bearing Number(s) 3801260	Kit Number	459-1046	459-5046		
		Cylinder Sleeve Assembly	226-1839	6	226-1839	6
		Connecting Rod Bearing	CB-1226P	6	CB-1226P	6
		Undersizes	P-10-20-30-40	P-10-20-30-40		
		Main Bearing Set	MS-1687P	1	MS-1687P	1
		Undersizes	P-10-20-30	P-10-20-30		
		Engine Cylinder Head Gasket Set / In-frame Overhaul Set	HS5858-3	1	EK3518-1	1
		Engine Conversion Gasket Set	CS5858-6	1		
8.83	Big Cam Connecting Rod Bearings Dual Ni-Resist Piston Sleeve Assembly With Standard Size Sleeves OE Rod Bearing Number(s) 214950 OE Main Bearing Number(s) 3801260	Kit Number	459-1450	459-5046		
		Cylinder Sleeve Assembly	226-1839	6	226-1839	6
		Connecting Rod Bearing	CB-1226P	6	CB-1226P	6
		Undersizes	P-10-20-30-40	P-10-20-30-40		
		Main Bearing Set	MS-1687P	1	MS-1687P	1
		Undersizes	P-10-20-30	P-10-20-30		
		Engine Cylinder Head Gasket Set / In-frame Overhaul Set	HS5858-3	1	EK3518-1	1
		Engine Conversion Gasket Set	CS5858-5	1		
8.84	Big Cam Connecting Rod Bearings Dual Ni-Resist Piston Sleeve Assembly With Standard Size Sleeves OE Rod Bearing Number(s) 214950 OE Main Bearing Number(s) 3801260	Kit Number	459-1047	459-5047		
		Cylinder Sleeve Assembly	226-1839	6	226-1839	6
		Connecting Rod Bearing	CB-1226P	6	CB-1226P	6
		Undersizes	P-10-20-30-40	P-10-20-30-40		
		Main Bearing Set	MS-1687P	1	MS-1687P	1
		Undersizes	P-10-20-30	P-10-20-30		
		Engine Cylinder Head Gasket Set / In-frame Overhaul Set	HS5858-16	1	EK3520-1	1
		Engine Conversion Gasket Set	CS5858-6	1		
8.85	Big Cam Connecting Rod Bearings Dual Ni-Resist Piston Sleeve Assembly With 0.020"/0.040" Oversized Lower Press Fit Sleeves OE Rod Bearing Number(s) 214950 OE Main Bearing Number(s) 3801260	Kit Number	459-1048	459-5048		
		Cylinder Sleeve Assembly	226-1840	6	226-1840	6
		Connecting Rod Bearing	CB-1226P	6	CB-1226P	6
		Undersizes	P-10-20-30-40	P-10-20-30-40		
		Main Bearing Set	MS-1687P	1	MS-1687P	1
		Undersizes	P-10-20-30	P-10-20-30		
		Engine Cylinder Head Gasket Set / In-frame Overhaul Set	HS5858-3	1	EK3518-1	1
		Engine Conversion Gasket Set	CS5858-6	1		

LINE #	NOTES	PART DESCRIPTION	OVERHAUL	QTY	IN-FRAME	QTY
8 (cont.)	5.5000" 855 CID (14.0L) 6 Cyl ; Turbocharged-Aftercooled NT Series					8 (cont.)
8.86	Big Cam Connecting Rod Bearings Dual Ni-Resist Piston Sleeve Assembly With 0.020"/0.040" Oversized Lower Press Fit Sleeves OE Rod Bearing Number(s) 214950 OE Main Bearing Number(s) 3801260	Kit Number	459-1447		459-5048	
		Cylinder Sleeve Assembly	226-1840	6	226-1840	6
		Connecting Rod Bearing	CB-1226P	6	CB-1226P	6
		Undersizes	P-10-20-30-40		P-10-20-30-40	
		Main Bearing Set	MS-1687P	1	MS-1687P	1
		Undersizes	P-10-20-30		P-10-20-30	
		Engine Cylinder Head Gasket Set / In-frame Overhaul Set	HS5858-3	1	EK3518-1	1
		Engine Conversion Gasket Set	CS5858-5	1		
8.87	Big Cam Connecting Rod Bearings Dual Ni-Resist Piston Sleeve Assembly With 0.020"/0.040" Oversized Lower Press Fit Sleeves OE Rod Bearing Number(s) 214950 OE Main Bearing Number(s) 3801260	Kit Number	459-1049		459-5049	
		Cylinder Sleeve Assembly	226-1840	6	226-1840	6
		Connecting Rod Bearing	CB-1226P	6	CB-1226P	6
		Undersizes	P-10-20-30-40		P-10-20-30-40	
		Main Bearing Set	MS-1687P	1	MS-1687P	1
		Undersizes	P-10-20-30		P-10-20-30	
		Engine Cylinder Head Gasket Set / In-frame Overhaul Set	HS5858-16	1	EK3520-1	1
		Engine Conversion Gasket Set	CS5858-6	1		
8.88	Big Cam Connecting Rod Bearings Dual Ni-Resist Piston Sleeve Assembly With Standard Size Sleeves OE Rod Bearing Number(s) 214950 OE Main Bearing Number(s) 3801260	Kit Number	459-1050		459-5050	
		Cylinder Sleeve Assembly	226-1839	6	226-1839	6
		Connecting Rod Bearing	CB-1226P	6	CB-1226P	6
		Undersizes	P-10-20-30-40		P-10-20-30-40	
		Main Bearing Set	MS-1687P	1	MS-1687P	1
		Undersizes	P-10-20-30		P-10-20-30	
		Engine Cylinder Head Gasket Set / In-frame Overhaul Set	HS5858B	1	EK3522VR	1
		Engine Conversion Gasket Set	CS5858-6	1		
8.89	Big Cam Connecting Rod Bearings Dual Ni-Resist Piston Sleeve Assembly With Standard Size Sleeves OE Rod Bearing Number(s) 214950 OE Main Bearing Number(s) 3801260	Kit Number	459-1268		459-5050	
		Cylinder Sleeve Assembly	226-1839	6	226-1839	6
		Connecting Rod Bearing	CB-1226P	6	CB-1226P	6
		Undersizes	P-10-20-30-40		P-10-20-30-40	
		Main Bearing Set	MS-1687P	1	MS-1687P	1
		Undersizes	P-10-20-30		P-10-20-30	
		Engine Cylinder Head Gasket Set / In-frame Overhaul Set	HS5858B	1	EK3522VR	1
		Engine Conversion Gasket Set	CS5858-6	1		
8.90	Big Cam Connecting Rod Bearings Dual Ni-Resist Piston Sleeve Assembly With 0.020"/0.040" Oversized Lower Press Fit Sleeves OE Rod Bearing Number(s) 214950 OE Main Bearing Number(s) 3801260	Kit Number	459-1051		459-5051	
		Cylinder Sleeve Assembly	226-1840	6	226-1840	6
		Connecting Rod Bearing	CB-1226P	6	CB-1226P	6
		Undersizes	P-10-20-30-40		P-10-20-30-40	
		Main Bearing Set	MS-1687P	1	MS-1687P	1
		Undersizes	P-10-20-30		P-10-20-30	
		Engine Cylinder Head Gasket Set / In-frame Overhaul Set	HS5858B	1	EK3522VR	1
		Engine Conversion Gasket Set	CS5858-6	1		

LINE #	NOTES	PART DESCRIPTION	OVERHAUL	QTY	IN-FRAME	QTY
8 (cont.)	5.5000" 855 CID (14.0L) 6 Cyl ; Turbocharged-Aftercooled NT Series					8 (cont.)
8.91	Big Cam Connecting Rod Bearings Dual Ni-Resist Piston Sleeve Assembly With Standard Size Sleeves OE Rod Bearing Number(s) 214950 OE Main Bearing Number(s) 3801260	Kit Number	459-1052	459-5052		
		Cylinder Sleeve Assembly	226-1835	6	226-1835	6
		Connecting Rod Bearing	CB-1226P	6	CB-1226P	6
		Undersizes	P-10-20-30-40		P-10-20-30-40	
		Main Bearing Set	MS-1687P	1	MS-1687P	1
		Undersizes	P-10-20-30		P-10-20-30	
		Engine Cylinder Head Gasket Set / In-frame Overhaul Set	HS5858-3	1	EK3518-1	1
		Engine Conversion Gasket Set	CS5858-4	1		
8.92	Big Cam Connecting Rod Bearings Dual Ni-Resist Piston Sleeve Assembly With Standard Size Sleeves OE Rod Bearing Number(s) 214950 OE Main Bearing Number(s) 3801260	Kit Number	459-1132	459-5052		
		Cylinder Sleeve Assembly	226-1835	6	226-1835	6
		Connecting Rod Bearing	CB-1226P	6	CB-1226P	6
		Undersizes	P-10-20-30-40		P-10-20-30-40	
		Main Bearing Set	MS-1687P	1	MS-1687P	1
		Undersizes	P-10-20-30		P-10-20-30	
		Engine Cylinder Head Gasket Set / In-frame Overhaul Set	HS5858-3	1	EK3518-1	1
		Engine Conversion Gasket Set	CS5858-5	1		
8.93	Big Cam Connecting Rod Bearings Dual Ni-Resist Piston Sleeve Assembly With Standard Size Sleeves OE Rod Bearing Number(s) 214950 OE Main Bearing Number(s) 3801260	Kit Number	459-1133	459-5052		
		Cylinder Sleeve Assembly	226-1835	6	226-1835	6
		Connecting Rod Bearing	CB-1226P	6	CB-1226P	6
		Undersizes	P-10-20-30-40		P-10-20-30-40	
		Main Bearing Set	MS-1687P	1	MS-1687P	1
		Undersizes	P-10-20-30		P-10-20-30	
		Engine Cylinder Head Gasket Set / In-frame Overhaul Set	HS5858-3	1	EK3518-1	1
		Engine Conversion Gasket Set	CS5858-13	1		
8.94	Big Cam Connecting Rod Bearings Dual Ni-Resist Piston Sleeve Assembly With Standard Size Sleeves OE Rod Bearing Number(s) 214950 OE Main Bearing Number(s) 3801260	Kit Number	459-1053	459-5053		
		Cylinder Sleeve Assembly	226-1835	6	226-1835	6
		Connecting Rod Bearing	CB-1226P	6	CB-1226P	6
		Undersizes	P-10-20-30-40		P-10-20-30-40	
		Main Bearing Set	MS-1687P	1	MS-1687P	1
		Undersizes	P-10-20-30		P-10-20-30	
		Engine Cylinder Head Gasket Set / In-frame Overhaul Set	HS5858B	1	EK3522VR	1
		Engine Conversion Gasket Set	CS5858-4	1		
8.95	Big Cam Connecting Rod Bearings Dual Ni-Resist Piston Sleeve Assembly With Standard Size Sleeves OE Rod Bearing Number(s) 214950 OE Main Bearing Number(s) 3801260	Kit Number	459-1054	459-5054		
		Cylinder Sleeve Assembly	226-1835	6	226-1835	6
		Connecting Rod Bearing	CB-1226P	6	CB-1226P	6
		Undersizes	P-10-20-30-40		P-10-20-30-40	
		Main Bearing Set	MS-1687P	1	MS-1687P	1
		Undersizes	P-10-20-30		P-10-20-30	
		Engine Cylinder Head Gasket Set / In-frame Overhaul Set	HS5858A	1	EK3523VR	1
		Engine Conversion Gasket Set	CS5858-3	1		

LINE #	NOTES	PART DESCRIPTION	OVERHAUL	QTY	IN-FRAME	QTY
8 (cont.)	5.5000" 855 CID (14.0L) 6 Cyl ; Turbocharged-Aftercooled NT Series					8 (cont.)
8.96	Big Cam Connecting Rod Bearings Dual Ni-Resist Piston Sleeve Assembly With 0.020"/0.040" Oversized Lower Press Fit Sleeves OE Rod Bearing Number(s) 214950 OE Main Bearing Number(s) 3801260	Kit Number	459-1055	459-5055		
		Cylinder Sleeve Assembly	226-1836	6	226-1836	6
		Connecting Rod Bearing	CB-1226P	6	CB-1226P	6
		Undersizes	P-10-20-30-40		P-10-20-30-40	
		Main Bearing Set	MS-1687P	1	MS-1687P	1
		Undersizes	P-10-20-30		P-10-20-30	
		Engine Cylinder Head Gasket Set / In-frame Overhaul Set	HS5858-3	1	EK3518-1	1
		Engine Conversion Gasket Set	CS5858-4	1		
8.97	Big Cam Connecting Rod Bearings Dual Ni-Resist Piston Sleeve Assembly With 0.020"/0.040" Oversized Lower Press Fit Sleeves OE Rod Bearing Number(s) 214950 OE Main Bearing Number(s) 3801260	Kit Number	459-1136	459-5055		
		Cylinder Sleeve Assembly	226-1836	6	226-1836	6
		Connecting Rod Bearing	CB-1226P	6	CB-1226P	6
		Undersizes	P-10-20-30-40		P-10-20-30-40	
		Main Bearing Set	MS-1687P	1	MS-1687P	1
		Undersizes	P-10-20-30		P-10-20-30	
		Engine Cylinder Head Gasket Set / In-frame Overhaul Set	HS5858-3	1	EK3518-1	1
		Engine Conversion Gasket Set	CS5858-5	1		
8.98	Big Cam Connecting Rod Bearings Dual Ni-Resist Piston Sleeve Assembly With 0.020"/0.040" Oversized Lower Press Fit Sleeves OE Rod Bearing Number(s) 214950 OE Main Bearing Number(s) 3801260	Kit Number	459-1137	459-5055		
		Cylinder Sleeve Assembly	226-1836	6	226-1836	6
		Connecting Rod Bearing	CB-1226P	6	CB-1226P	6
		Undersizes	P-10-20-30-40		P-10-20-30-40	
		Main Bearing Set	MS-1687P	1	MS-1687P	1
		Undersizes	P-10-20-30		P-10-20-30	
		Engine Cylinder Head Gasket Set / In-frame Overhaul Set	HS5858-3	1	EK3518-1	1
		Engine Conversion Gasket Set	CS5858-13	1		
8.99	Big Cam Connecting Rod Bearings Dual Ni-Resist Piston Sleeve Assembly With 0.020"/0.040" Oversized Lower Press Fit Sleeves OE Rod Bearing Number(s) 214950 OE Main Bearing Number(s) 3801260	Kit Number	459-1056	459-5056		
		Cylinder Sleeve Assembly	226-1836	6	226-1836	6
		Connecting Rod Bearing	CB-1226P	6	CB-1226P	6
		Undersizes	P-10-20-30-40		P-10-20-30-40	
		Main Bearing Set	MS-1687P	1	MS-1687P	1
		Undersizes	P-10-20-30		P-10-20-30	
		Engine Cylinder Head Gasket Set / In-frame Overhaul Set	HS5858B	1	EK3522VR	1
		Engine Conversion Gasket Set	CS5858-4	1		
8.100	Big Cam Connecting Rod Bearings Dual Ni-Resist Piston Sleeve Assembly With 0.020"/0.040" Oversized Lower Press Fit Sleeves OE Rod Bearing Number(s) 214950 OE Main Bearing Number(s) 3801260	Kit Number	459-1057	459-5057		
		Cylinder Sleeve Assembly	226-1836	6	226-1836	6
		Connecting Rod Bearing	CB-1226P	6	CB-1226P	6
		Undersizes	P-10-20-30-40		P-10-20-30-40	
		Main Bearing Set	MS-1687P	1	MS-1687P	1
		Undersizes	P-10-20-30		P-10-20-30	
		Engine Cylinder Head Gasket Set / In-frame Overhaul Set	HS5858A	1	EK3523VR	1
		Engine Conversion Gasket Set	CS5858-3	1		

LINE #	NOTES	PART DESCRIPTION	OVERHAUL	QTY	IN-FRAME	QTY
8 (cont.)	5.5000" 855 CID (14.0L) 6 Cyl ; Turbocharged-Aftercooled NT Series					8 (cont.)
8.101	Big Cam Connecting Rod Bearings Dual Ni-Resist Piston Sleeve Assembly With Standard Size Sleeves OE Rod Bearing Number(s) 214950 OE Main Bearing Number(s) 3801260	Kit Number	459-1059		459-5059	
		Cylinder Sleeve Assembly	226-1837	6	226-1837	6
		Connecting Rod Bearing	CB-1226P	6	CB-1226P	6
		Undersizes	P-10-20-30-40		P-10-20-30-40	
		Main Bearing Set	MS-1687P	1	MS-1687P	1
		Undersizes	P-10-20-30		P-10-20-30	
		Engine Cylinder Head Gasket Set / In-frame Overhaul Set	HS5858-3	1	EK3518-1	1
		Engine Conversion Gasket Set	CS5858-4	1		
8.102	Big Cam Connecting Rod Bearings Dual Ni-Resist Piston Sleeve Assembly With Standard Size Sleeves OE Rod Bearing Number(s) 214950 OE Main Bearing Number(s) 3801260	Kit Number	459-1154		459-5059	
		Cylinder Sleeve Assembly	226-1837	6	226-1837	6
		Connecting Rod Bearing	CB-1226P	6	CB-1226P	6
		Undersizes	P-10-20-30-40		P-10-20-30-40	
		Main Bearing Set	MS-1687P	1	MS-1687P	1
		Undersizes	P-10-20-30		P-10-20-30	
		Engine Cylinder Head Gasket Set / In-frame Overhaul Set	HS5858-3	1	EK3518-1	1
		Engine Conversion Gasket Set	CS5858-5	1		
8.103	Big Cam Connecting Rod Bearings Dual Ni-Resist Piston Sleeve Assembly With Standard Size Sleeves OE Rod Bearing Number(s) 214950 OE Main Bearing Number(s) 3801260	Kit Number	459-1156		459-5059	
		Cylinder Sleeve Assembly	226-1837	6	226-1837	6
		Connecting Rod Bearing	CB-1226P	6	CB-1226P	6
		Undersizes	P-10-20-30-40		P-10-20-30-40	
		Main Bearing Set	MS-1687P	1	MS-1687P	1
		Undersizes	P-10-20-30		P-10-20-30	
		Engine Cylinder Head Gasket Set / In-frame Overhaul Set	HS5858-3	1	EK3518-1	1
		Engine Conversion Gasket Set	CS5858-13	1		
8.104	Big Cam Connecting Rod Bearings Dual Ni-Resist Piston Sleeve Assembly With Standard Size Sleeves OE Rod Bearing Number(s) 214950 OE Main Bearing Number(s) 3801260	Kit Number	459-1060		459-5060	
		Cylinder Sleeve Assembly	226-1837	6	226-1837	6
		Connecting Rod Bearing	CB-1226P	6	CB-1226P	6
		Undersizes	P-10-20-30-40		P-10-20-30-40	
		Main Bearing Set	MS-1687P	1	MS-1687P	1
		Undersizes	P-10-20-30		P-10-20-30	
		Engine Cylinder Head Gasket Set / In-frame Overhaul Set	HS5858-16	1	EK3520-1	1
		Engine Conversion Gasket Set	CS5858-6	1		
8.105	Big Cam Connecting Rod Bearings Dual Ni-Resist Piston Sleeve Assembly With Standard Size Sleeves OE Rod Bearing Number(s) 214950 OE Main Bearing Number(s) 3801260	Kit Number			459-5061	
		Cylinder Sleeve Assembly			226-1745	6
		Connecting Rod Bearing			CB-1226P	6
		Undersizes			P-10-20-30-40	
		Main Bearing Set			MS-1687P	1
		Undersizes			P-10-20-30	
		In-frame Overhaul Set			EK3522VR	1

LINE #	NOTES	PART DESCRIPTION	OVERHAUL	QTY	IN-FRAME	QTY
8 (cont.)	5.5000" 855 CID (14.0L) 6 Cyl ; Turbocharged-Aftercooled NT Series					8 (cont.)
8.106	Big Cam Connecting Rod Bearings Dual Ni-Resist Piston Sleeve Assembly With Standard Size Sleeves OE Rod Bearing Number(s) 214950 OE Main Bearing Number(s) 3801260	Kit Number	459-1064	459-5064		
		Cylinder Sleeve Assembly	226-1833	6	226-1833	6
		Connecting Rod Bearing	CB-1226P	6	CB-1226P	6
		Undersizes	P-10-20-30-40	P-10-20-30-40		
		Main Bearing Set	MS-1687P	1	MS-1687P	1
		Undersizes	P-10-20-30	P-10-20-30		
		Engine Cylinder Head Gasket Set / In-frame Overhaul Set	HS5858-3	1	EK3518-1	1
		Engine Conversion Gasket Set	CS5858-4	1		
8.107	Big Cam Connecting Rod Bearings Dual Ni-Resist Piston Sleeve Assembly With Standard Size Sleeves OE Rod Bearing Number(s) 214950 OE Main Bearing Number(s) 3801260	Kit Number	459-1167	459-5064		
		Cylinder Sleeve Assembly	226-1833	6	226-1833	6
		Connecting Rod Bearing	CB-1226P	6	CB-1226P	6
		Undersizes	P-10-20-30-40	P-10-20-30-40		
		Main Bearing Set	MS-1687P	1	MS-1687P	1
		Undersizes	P-10-20-30	P-10-20-30		
		Engine Cylinder Head Gasket Set / In-frame Overhaul Set	HS5858-16	1	EK3518-1	1
		Engine Conversion Gasket Set	CS5858-6	1		
8.108	Big Cam Connecting Rod Bearings Dual Ni-Resist Piston Sleeve Assembly With Standard Size Sleeves OE Rod Bearing Number(s) 214950 OE Main Bearing Number(s) 3801260	Kit Number	459-1168	459-5064		
		Cylinder Sleeve Assembly	226-1833	6	226-1833	6
		Connecting Rod Bearing	CB-1226P	6	CB-1226P	6
		Undersizes	P-10-20-30-40	P-10-20-30-40		
		Main Bearing Set	MS-1687P	1	MS-1687P	1
		Undersizes	P-10-20-30	P-10-20-30		
		Engine Cylinder Head Gasket Set / In-frame Overhaul Set	HS5858-3	1	EK3518-1	1
		Engine Conversion Gasket Set	CS5858-5	1		
8.109	Big Cam Connecting Rod Bearings Dual Ni-Resist Piston Sleeve Assembly With Standard Size Sleeves OE Rod Bearing Number(s) 214950 OE Main Bearing Number(s) 3801260	Kit Number	459-1444	459-5064		
		Cylinder Sleeve Assembly	226-1833	6	226-1833	6
		Connecting Rod Bearing	CB-1226P	6	CB-1226P	6
		Undersizes	P-10-20-30-40	P-10-20-30-40		
		Main Bearing Set	MS-1687P	1	MS-1687P	1
		Undersizes	P-10-20-30	P-10-20-30		
		Engine Cylinder Head Gasket Set / In-frame Overhaul Set	HS5858-3	1	EK3518-1	1
		Engine Conversion Gasket Set	CS5858-13	1		
8.110	Big Cam Connecting Rod Bearings Dual Ni-Resist Piston Sleeve Assembly With Standard Size Sleeves OE Rod Bearing Number(s) 214950 OE Main Bearing Number(s) 3801260	Kit Number	459-1065	459-5065		
		Cylinder Sleeve Assembly	226-1833	6	226-1833	6
		Connecting Rod Bearing	CB-1226P	6	CB-1226P	6
		Undersizes	P-10-20-30-40	P-10-20-30-40		
		Main Bearing Set	MS-1687P	1	MS-1687P	1
		Undersizes	P-10-20-30	P-10-20-30		
		Engine Cylinder Head Gasket Set / In-frame Overhaul Set	HS5858-16	1	EK3520-1	1
		Engine Conversion Gasket Set	CS5858-6	1		

LINE #	NOTES	PART DESCRIPTION	OVERHAUL	QTY	IN-FRAME	QTY
8 (cont.)	5.5000" 855 CID (14.0L) 6 Cyl ; Turbocharged-Aftercooled NT Series					8 (cont.)
8.111	Big Cam Connecting Rod Bearings Dual Ni-Resist Piston Sleeve Assembly With 0.020"/0.040" Oversized Lower Press Fit Sleeves OE Rod Bearing Number(s) 214950 OE Main Bearing Number(s) 3801260	Kit Number	459-1066	459-5066		
		Cylinder Sleeve Assembly	226-1834	6	226-1834	6
		Connecting Rod Bearing	CB-1226P	6	CB-1226P	6
		Undersizes	P-10-20-30-40		P-10-20-30-40	
		Main Bearing Set	MS-1687P	1	MS-1687P	1
		Undersizes	P-10-20-30		P-10-20-30	
		Engine Cylinder Head Gasket Set / In-frame Overhaul Set	HS5858-3	1	EK3518-1	1
		Engine Conversion Gasket Set	CS5858-4	1		
8.112	Big Cam Connecting Rod Bearings Dual Ni-Resist Piston Sleeve Assembly With 0.020"/0.040" Oversized Lower Press Fit Sleeves OE Rod Bearing Number(s) 214950 OE Main Bearing Number(s) 3801260	Kit Number	459-1067	459-5066		
		Cylinder Sleeve Assembly	226-1834	6	226-1834	6
		Connecting Rod Bearing	CB-1226P	6	CB-1226P	6
		Undersizes	P-10-20-30-40		P-10-20-30-40	
		Main Bearing Set	MS-1687P	1	MS-1687P	1
		Undersizes	P-10-20-30		P-10-20-30	
		Engine Cylinder Head Gasket Set / In-frame Overhaul Set	HS5858-16	1	EK3518-1	1
		Engine Conversion Gasket Set	CS5858-6	1		
8.113	Big Cam Connecting Rod Bearings Dual Ni-Resist Piston Sleeve Assembly With 0.020"/0.040" Oversized Lower Press Fit Sleeves OE Rod Bearing Number(s) 214950 OE Main Bearing Number(s) 3801260	Kit Number	459-1252	459-5066		
		Cylinder Sleeve Assembly	226-1834	6	226-1834	6
		Connecting Rod Bearing	CB-1226P	6	CB-1226P	6
		Undersizes	P-10-20-30-40		P-10-20-30-40	
		Main Bearing Set	MS-1687P	1	MS-1687P	1
		Undersizes	P-10-20-30		P-10-20-30	
		Engine Cylinder Head Gasket Set / In-frame Overhaul Set	HS5858-3	1	EK3518-1	1
		Engine Conversion Gasket Set	CS5858-5	1		
8.114	Big Cam Connecting Rod Bearings Dual Ni-Resist Piston Sleeve Assembly With 0.020"/0.040" Oversized Lower Press Fit Sleeves OE Rod Bearing Number(s) 214950 OE Main Bearing Number(s) 3801260	Kit Number	459-1445	459-5066		
		Cylinder Sleeve Assembly	226-1834	6	226-1834	6
		Connecting Rod Bearing	CB-1226P	6	CB-1226P	6
		Undersizes	P-10-20-30-40		P-10-20-30-40	
		Main Bearing Set	MS-1687P	1	MS-1687P	1
		Undersizes	P-10-20-30		P-10-20-30	
		Engine Cylinder Head Gasket Set / In-frame Overhaul Set	HS5858-3	1	EK3518-1	1
		Engine Conversion Gasket Set	CS5858-13	1		
8.115	Big Cam Connecting Rod Bearings Dual Ni-Resist Piston Sleeve Assembly With 0.020"/0.040" Oversized Lower Press Fit Sleeves OE Rod Bearing Number(s) 214950 OE Main Bearing Number(s) 3801260	Kit Number	459-1069	459-5069		
		Cylinder Sleeve Assembly	226-1834	6	226-1834	6
		Connecting Rod Bearing	CB-1226P	6	CB-1226P	6
		Undersizes	P-10-20-30-40		P-10-20-30-40	
		Main Bearing Set	MS-1687P	1	MS-1687P	1
		Undersizes	P-10-20-30		P-10-20-30	
		Engine Cylinder Head Gasket Set / In-frame Overhaul Set	HS5858-16	1	EK3520-1	1
		Engine Conversion Gasket Set	CS5858-6	1		

LINE #	NOTES	PART DESCRIPTION	OVERHAUL	QTY	IN-FRAME	QTY
8 (cont.)	5.5000" 855 CID (14.0L) 6 Cyl ; Turbocharged-Aftercooled NT Series					8 (cont.)
8.116	Small Cam Connecting Rod Bearings Premium Plus Sleeve Assembly With Standard Size Sleeves OE Rod Bearing Number(s) 203660 OE Main Bearing Number(s) 3801260	Kit Number	459-1090	459-5090		
		Cylinder Sleeve Assembly	226-1745	6	226-1745	6
		Connecting Rod Bearing	CB-625P	6	CB-625P	6
		Undersizes	P-10-20-30		P-10-20-30	
		Main Bearing Set	MS-1687P	1	MS-1687P	1
		Undersizes	P-10-20-30		P-10-20-30	
		Engine Cylinder Head Gasket Set / In-frame Overhaul Set	HS5858-3	1	EK3518-1	1
		Engine Conversion Gasket Set	CS5858-13	1		
8.117	Small Cam Connecting Rod Bearings Dual Ni-Resist Piston Sleeve Assembly With Standard Size Sleeves OE Rod Bearing Number(s) 214950 OE Main Bearing Number(s) 3801260	Kit Number	459-1123	459-5123		
		Cylinder Sleeve Assembly	226-1839	6	226-1839	6
		Connecting Rod Bearing	CB-1226P	6	CB-1226P	6
		Undersizes	P-10-20-30-40		P-10-20-30-40	
		Main Bearing Set	MS-1687P	1	MS-1687P	1
		Undersizes	P-10-20-30		P-10-20-30	
		Engine Cylinder Head Gasket Set / In-frame Overhaul Set	HS5858A	1	EK3523VR	1
		Engine Conversion Gasket Set	CS5858-3	1		
8.118	Small Cam Connecting Rod Bearings Dual Ni-Resist Piston Sleeve Assembly With 0.020"/0.040" Oversized Lower Press Fit Sleeves OE Rod Bearing Number(s) 214950 OE Main Bearing Number(s) 3801260	Kit Number	459-1124	459-5124		
		Cylinder Sleeve Assembly	226-1840	6	226-1840	6
		Connecting Rod Bearing	CB-1226P	6	CB-1226P	6
		Undersizes	P-10-20-30-40		P-10-20-30-40	
		Main Bearing Set	MS-1687P	1	MS-1687P	1
		Undersizes	P-10-20-30		P-10-20-30	
		Engine Cylinder Head Gasket Set / In-frame Overhaul Set	HS5858A	1	EK3523VR	1
		Engine Conversion Gasket Set	CS5858-3	1		
8.119	Small Cam Connecting Rod Bearings Premium Sleeve Assembly With Standard Size Sleeves OE Rod Bearing Number(s) 203660 OE Main Bearing Number(s) 3801260	Kit Number	459-1139	459-5139		
		Cylinder Sleeve Assembly	226-1646	6	226-1646	6
		Connecting Rod Bearing	CB-625P	6	CB-625P	6
		Undersizes	P-10-20-30		P-10-20-30	
		Main Bearing Set	MS-1687P	1	MS-1687P	1
		Undersizes	P-10-20-30		P-10-20-30	
		Engine Cylinder Head Gasket Set / In-frame Overhaul Set	HS5858-3	1	EK3518-1	1
		Engine Conversion Gasket Set	CS5858-7	1		
8.120	Small Cam Connecting Rod Bearings Premium Sleeve Assembly With Standard Size Sleeves OE Rod Bearing Number(s) 203660 OE Main Bearing Number(s) 3801260	Kit Number	459-1150	459-5139		
		Cylinder Sleeve Assembly	226-1646	6	226-1646	6
		Connecting Rod Bearing	CB-625P	6	CB-625P	6
		Undersizes	P-10-20-30		P-10-20-30	
		Main Bearing Set	MS-1687P	1	MS-1687P	1
		Undersizes	P-10-20-30		P-10-20-30	
		Engine Cylinder Head Gasket Set / In-frame Overhaul Set	HS5858-3	1	EK3518-1	1
		Engine Conversion Gasket Set	CS5858-2	1		

LINE #	NOTES	PART DESCRIPTION	OVERHAUL	QTY	IN-FRAME	QTY
8 (cont.)	5.5000" 855 CID (14.0L) 6 Cyl ; Turbocharged-Aftercooled NT Series					8 (cont.)
8.121	Small Cam Connecting Rod Bearings Premium Sleeve Assembly With Standard Size Sleeves OE Rod Bearing Number(s) 203660 OE Main Bearing Number(s) 3801260	Kit Number	459-1155	459-5155		
		Cylinder Sleeve Assembly	226-1747	6	226-1747	6
		Connecting Rod Bearing	CB-625P	6	CB-625P	6
		Undersizes	P-10-20-30		P-10-20-30	
		Main Bearing Set	MS-1687P	1	MS-1687P	1
		Undersizes	P-10-20-30		P-10-20-30	
		Engine Cylinder Head Gasket Set / In-frame Overhaul Set	HS5858-3	1	EK3518-1	1
		Engine Conversion Gasket Set	CS5858-7	1		
8.122	Small Cam Connecting Rod Bearings Premium Sleeve Assembly With Standard Size Sleeves OE Rod Bearing Number(s) 203660 OE Main Bearing Number(s) 3801260	Kit Number	459-1157	459-5155		
		Cylinder Sleeve Assembly	226-1747	6	226-1747	6
		Connecting Rod Bearing	CB-625P	6	CB-625P	6
		Undersizes	P-10-20-30		P-10-20-30	
		Main Bearing Set	MS-1687P	1	MS-1687P	1
		Undersizes	P-10-20-30		P-10-20-30	
		Engine Cylinder Head Gasket Set / In-frame Overhaul Set	HS5858-3	1	EK3518-1	1
		Engine Conversion Gasket Set	CS5858-2	1		
8.123	Small Cam Connecting Rod Bearings Premium Plus Sleeve Assembly With Standard Size Sleeves OE Rod Bearing Number(s) 203660 OE Main Bearing Number(s) 3801260	Kit Number	459-1159	459-5159		
		Cylinder Sleeve Assembly	226-1748	6	226-1748	6
		Connecting Rod Bearing	CB-625P	6	CB-625P	6
		Undersizes	P-10-20-30		P-10-20-30	
		Main Bearing Set	MS-1687P	1	MS-1687P	1
		Undersizes	P-10-20-30		P-10-20-30	
		Engine Cylinder Head Gasket Set / In-frame Overhaul Set	HS5858-3	1	EK3518-1	1
		Engine Conversion Gasket Set	CS5858-13	1		
8.124	Small Cam Connecting Rod Bearings Premium Plus Sleeve Assembly With Standard Size Sleeves OE Rod Bearing Number(s) 203660 OE Main Bearing Number(s) 3801260	Kit Number	459-1160	459-5159		
		Cylinder Sleeve Assembly	226-1748	6	226-1748	6
		Connecting Rod Bearing	CB-625P	6	CB-625P	6
		Undersizes	P-10-20-30		P-10-20-30	
		Main Bearing Set	MS-1687P	1	MS-1687P	1
		Undersizes	P-10-20-30		P-10-20-30	
		Engine Cylinder Head Gasket Set / In-frame Overhaul Set	HS5858-3	1	EK3518-1	1
		Engine Conversion Gasket Set	CS5858-7	1		
8.125	Small Cam Connecting Rod Bearings Premium Plus Sleeve Assembly With Standard Size Sleeves OE Rod Bearing Number(s) 203660 OE Main Bearing Number(s) 3801260	Kit Number	459-1162	459-5159		
		Cylinder Sleeve Assembly	226-1748	6	226-1748	6
		Connecting Rod Bearing	CB-625P	6	CB-625P	6
		Undersizes	P-10-20-30		P-10-20-30	
		Main Bearing Set	MS-1687P	1	MS-1687P	1
		Undersizes	P-10-20-30		P-10-20-30	
		Engine Cylinder Head Gasket Set / In-frame Overhaul Set	HS5858-3	1	EK3518-1	1
		Engine Conversion Gasket Set	CS5858-2	1		

LINE #	NOTES	PART DESCRIPTION	OVERHAUL	QTY	IN-FRAME	QTY
8 (cont.)	5.5000" 855 CID (14.0L) 6 Cyl ; Turbocharged-Aftercooled NT Series					8 (cont.)
8.126	Small Cam Connecting Rod Bearings Premium Plus Sleeve Assembly With Standard Size Sleeves OE Rod Bearing Number(s) 203660 OE Main Bearing Number(s) 3801260	Kit Number	459-1164		459-5164	
		Cylinder Sleeve Assembly	226-1749	6	226-1749	6
		Connecting Rod Bearing	CB-625P	6	CB-625P	6
		Undersizes	P-10-20-30		P-10-20-30	
		Main Bearing Set	MS-1687P	1	MS-1687P	1
		Undersizes	P-10-20-30		P-10-20-30	
		Engine Cylinder Head Gasket Set / In-frame Overhaul Set	HS5858-3	1	EK3518-1	1
		Engine Conversion Gasket Set	CS5858-13	1		
8.127	Small Cam Connecting Rod Bearings Premium Plus Sleeve Assembly With Standard Size Sleeves OE Rod Bearing Number(s) 203660 OE Main Bearing Number(s) 3801260	Kit Number	459-1165		459-5164	
		Cylinder Sleeve Assembly	226-1749	6	226-1749	6
		Connecting Rod Bearing	CB-625P	6	CB-625P	6
		Undersizes	P-10-20-30		P-10-20-30	
		Main Bearing Set	MS-1687P	1	MS-1687P	1
		Undersizes	P-10-20-30		P-10-20-30	
		Engine Cylinder Head Gasket Set / In-frame Overhaul Set	HS5858-3	1	EK3518-1	1
		Engine Conversion Gasket Set	CS5858-4	1		
8.128	Small Cam Connecting Rod Bearings Premium Plus Sleeve Assembly With Standard Size Sleeves OE Rod Bearing Number(s) 203660 OE Main Bearing Number(s) 3801260	Kit Number	459-1169		459-5164	
		Cylinder Sleeve Assembly	226-1749	6	226-1749	6
		Connecting Rod Bearing	CB-625P	6	CB-625P	6
		Undersizes	P-10-20-30		P-10-20-30	
		Main Bearing Set	MS-1687P	1	MS-1687P	1
		Undersizes	P-10-20-30		P-10-20-30	
		Engine Cylinder Head Gasket Set / In-frame Overhaul Set	HS5858-3	1	EK3518-1	1
		Engine Conversion Gasket Set	CS5858-2	1		
8.129	Small Cam Connecting Rod Bearings Premium Plus Sleeve Assembly With Standard Size Sleeves OE Rod Bearing Number(s) 203660 OE Main Bearing Number(s) 3801260	Kit Number	459-1174		459-5174	
		Cylinder Sleeve Assembly	226-1750	6	226-1750	6
		Connecting Rod Bearing	CB-625P	6	CB-625P	6
		Undersizes	P-10-20-30		P-10-20-30	
		Main Bearing Set	MS-1687P	1	MS-1687P	1
		Undersizes	P-10-20-30		P-10-20-30	
		Engine Cylinder Head Gasket Set / In-frame Overhaul Set	HS5858-3	1	EK3518-1	1
		Engine Conversion Gasket Set	CS5858-4	1		
8.130	Small Cam Connecting Rod Bearings Premium Plus Sleeve Assembly With Standard Size Sleeves OE Rod Bearing Number(s) 203660 OE Main Bearing Number(s) 3801260	Kit Number	459-1175		459-5174	
		Cylinder Sleeve Assembly	226-1750	6	226-1750	6
		Connecting Rod Bearing	CB-625P	6	CB-625P	6
		Undersizes	P-10-20-30		P-10-20-30	
		Main Bearing Set	MS-1687P	1	MS-1687P	1
		Undersizes	P-10-20-30		P-10-20-30	
		Engine Cylinder Head Gasket Set / In-frame Overhaul Set	HS5858-3	1	EK3518-1	1
		Engine Conversion Gasket Set	CS5858-2	1		

LINE #	NOTES	PART DESCRIPTION	OVERHAUL	QTY	IN-FRAME	QTY
8 (cont.)	5.5000" 855 CID (14.0L) 6 Cyl ; Turbocharged-Aftercooled NT Series					8 (cont.)
8.131	Small Cam Connecting Rod Bearings Premium Plus Sleeve Assembly With Standard Size Sleeves OE Rod Bearing Number(s) 203660 OE Main Bearing Number(s) 3801260	Kit Number	459-1176		459-5176	
		Cylinder Sleeve Assembly	226-1760	6	226-1760	6
		Connecting Rod Bearing	CB-625P	6	CB-625P	6
		Undersizes	P-10-20-30		P-10-20-30	
		Main Bearing Set	MS-1687P	1	MS-1687P	1
		Undersizes	P-10-20-30		P-10-20-30	
		Engine Cylinder Head Gasket Set / In-frame Overhaul Set	HS5858-3	1	EK3518-1	1
		Engine Conversion Gasket Set	CS5858-13	1		
8.132	Small Cam Connecting Rod Bearings Premium Plus Sleeve Assembly With Standard Size Sleeves OE Rod Bearing Number(s) 203660 OE Main Bearing Number(s) 3801260	Kit Number	459-1177		459-5176	
		Cylinder Sleeve Assembly	226-1760	6	226-1760	6
		Connecting Rod Bearing	CB-625P	6	CB-625P	6
		Undersizes	P-10-20-30		P-10-20-30	
		Main Bearing Set	MS-1687P	1	MS-1687P	1
		Undersizes	P-10-20-30		P-10-20-30	
		Engine Cylinder Head Gasket Set / In-frame Overhaul Set	HS5858-3	1	EK3518-1	1
		Engine Conversion Gasket Set	CS5858-2	1		
8.133	Small Cam Connecting Rod Bearings Premium Sleeve Assembly With Standard Size Sleeves OE Rod Bearing Number(s) 203660 OE Main Bearing Number(s) 3801260	Kit Number	459-1179		459-5179	
		Cylinder Sleeve Assembly	226-1769	6	226-1769	6
		Connecting Rod Bearing	CB-625P	6	CB-625P	6
		Undersizes	P-10-20-30		P-10-20-30	
		Main Bearing Set	MS-1687P	1	MS-1687P	1
		Undersizes	P-10-20-30		P-10-20-30	
		Engine Cylinder Head Gasket Set / In-frame Overhaul Set	HS5858-3	1	EK3518-1	1
		Engine Conversion Gasket Set	CS5858-2	1		
8.134	Small Cam Connecting Rod Bearings Premium Sleeve Assembly With Standard Size Sleeves OE Rod Bearing Number(s) 203660 OE Main Bearing Number(s) 3801260	Kit Number	459-1190		459-5179	
		Cylinder Sleeve Assembly	226-1769	6	226-1769	6
		Connecting Rod Bearing	CB-625P	6	CB-625P	6
		Undersizes	P-10-20-30		P-10-20-30	
		Main Bearing Set	MS-1687P	1	MS-1687P	1
		Undersizes	P-10-20-30		P-10-20-30	
		Engine Cylinder Head Gasket Set / In-frame Overhaul Set	HS5858-3	1	EK3518-1	1
		Engine Conversion Gasket Set	CS5858-13	1		
8.135	Small Cam Connecting Rod Bearings Premium Sleeve Assembly With Standard Size Sleeves OE Rod Bearing Number(s) 203660 OE Main Bearing Number(s) 3801260	Kit Number	459-1191		459-5179	
		Cylinder Sleeve Assembly	226-1769	6	226-1769	6
		Connecting Rod Bearing	CB-625P	6	CB-625P	6
		Undersizes	P-10-20-30		P-10-20-30	
		Main Bearing Set	MS-1687P	1	MS-1687P	1
		Undersizes	P-10-20-30		P-10-20-30	
		Engine Cylinder Head Gasket Set / In-frame Overhaul Set	HS5858-3	1	EK3518-1	1
		Engine Conversion Gasket Set	CS5858-7	1		

LINE #	NOTES	PART DESCRIPTION	OVERHAUL	QTY	IN-FRAME	QTY
8 (cont.)	5.5000" 855 CID (14.0L) 6 Cyl ; Turbocharged-Aftercooled NT Series					8 (cont.)
8.136	Big Cam Connecting Rod Bearings Premium Sleeve Assembly With Standard Size Sleeves OE Rod Bearing Number(s) 214950 OE Main Bearing Number(s) 3801260	Kit Number	459-1186		459-5186	
		Cylinder Sleeve Assembly	226-1863	6	226-1863	6
		Connecting Rod Bearing	CB-1226P	6	CB-1226P	6
		Undersizes	P-10-20-30-40		P-10-20-30-40	
		Main Bearing Set	MS-1687P	1	MS-1687P	1
		Undersizes	P-10-20-30		P-10-20-30	
		Engine Cylinder Head Gasket Set / In-frame Overhaul Set	HS5858-3	1	EK3518-1	1
		Engine Conversion Gasket Set	CS5858-5	1		
8.137	Small Cam Connecting Rod Bearings Premium Sleeve Assembly With Standard Size Sleeves OE Rod Bearing Number(s) 203660 OE Main Bearing Number(s) 3801260	Kit Number	459-1192		459-5192	
		Cylinder Sleeve Assembly	226-1770	6	226-1770	6
		Connecting Rod Bearing	CB-625P	6	CB-625P	6
		Undersizes	P-10-20-30		P-10-20-30	
		Main Bearing Set	MS-1687P	1	MS-1687P	1
		Undersizes	P-10-20-30		P-10-20-30	
		Engine Cylinder Head Gasket Set / In-frame Overhaul Set	HS5858-3	1	EK3518-1	1
		Engine Conversion Gasket Set	CS5858-13	1		
8.138	Small Cam Connecting Rod Bearings Premium Sleeve Assembly With Standard Size Sleeves OE Rod Bearing Number(s) 203660 OE Main Bearing Number(s) 3801260	Kit Number	459-1193		459-5192	
		Cylinder Sleeve Assembly	226-1770	6	226-1770	6
		Connecting Rod Bearing	CB-625P	6	CB-625P	6
		Undersizes	P-10-20-30		P-10-20-30	
		Main Bearing Set	MS-1687P	1	MS-1687P	1
		Undersizes	P-10-20-30		P-10-20-30	
		Engine Cylinder Head Gasket Set / In-frame Overhaul Set	HS5858-3	1	EK3518-1	1
		Engine Conversion Gasket Set	CS5858-2	1		
8.139	Small Cam Connecting Rod Bearings Premium Sleeve Assembly With Standard Size Sleeves OE Rod Bearing Number(s) 203660 OE Main Bearing Number(s) 3801260	Kit Number	459-1196		459-5196	
		Cylinder Sleeve Assembly	226-1771	6	226-1771	6
		Connecting Rod Bearing	CB-625P	6	CB-625P	6
		Undersizes	P-10-20-30		P-10-20-30	
		Main Bearing Set	MS-1687P	1	MS-1687P	1
		Undersizes	P-10-20-30		P-10-20-30	
		Engine Cylinder Head Gasket Set / In-frame Overhaul Set	HS5858-3	1	EK3518-1	1
		Engine Conversion Gasket Set	CS5858-4	1		
8.140	Small Cam Connecting Rod Bearings Premium Sleeve Assembly With Standard Size Sleeves OE Rod Bearing Number(s) 203660 OE Main Bearing Number(s) 3801260	Kit Number	459-1197		459-5196	
		Cylinder Sleeve Assembly	226-1771	6	226-1771	6
		Connecting Rod Bearing	CB-625P	6	CB-625P	6
		Undersizes	P-10-20-30		P-10-20-30	
		Main Bearing Set	MS-1687P	1	MS-1687P	1
		Undersizes	P-10-20-30		P-10-20-30	
		Engine Cylinder Head Gasket Set / In-frame Overhaul Set	HS5858-3	1	EK3518-1	1
		Engine Conversion Gasket Set	CS5858-2	1		

LINE #	NOTES	PART DESCRIPTION	OVERHAUL	QTY	IN-FRAME	QTY
8 (cont.)	5.5000" 855 CID (14.0L) 6 Cyl ; Turbocharged-Aftercooled NT Series					8 (cont.)
8.141	Small Cam Connecting Rod Bearings Premium Sleeve Assembly With Standard Size Sleeves OE Rod Bearing Number(s) 203660 OE Main Bearing Number(s) 3801260	Kit Number	459-1200	459-5200		
		Cylinder Sleeve Assembly	226-1772	6	226-1772	6
		Connecting Rod Bearing	CB-625P	6	CB-625P	6
		Undersizes	P-10-20-30		P-10-20-30	
		Main Bearing Set	MS-1687P	1	MS-1687P	1
		Undersizes	P-10-20-30		P-10-20-30	
		Engine Cylinder Head Gasket Set / In-frame Overhaul Set	HS5858-3	1	EK3518-1	1
		Engine Conversion Gasket Set	CS5858-4	1		
8.142	Small Cam Connecting Rod Bearings Premium Sleeve Assembly With Standard Size Sleeves OE Rod Bearing Number(s) 203660 OE Main Bearing Number(s) 3801260	Kit Number	459-1201	459-5200		
		Cylinder Sleeve Assembly	226-1772	6	226-1772	6
		Connecting Rod Bearing	CB-625P	6	CB-625P	6
		Undersizes	P-10-20-30		P-10-20-30	
		Main Bearing Set	MS-1687P	1	MS-1687P	1
		Undersizes	P-10-20-30		P-10-20-30	
		Engine Cylinder Head Gasket Set / In-frame Overhaul Set	HS5858-3	1	EK3518-1	1
		Engine Conversion Gasket Set	CS5858-13	1		
8.143	Small Cam Connecting Rod Bearings Premium Sleeve Assembly With Standard Size Sleeves OE Rod Bearing Number(s) 203660 OE Main Bearing Number(s) 3801260	Kit Number	459-1202	459-5200		
		Cylinder Sleeve Assembly	226-1772	6	226-1772	6
		Connecting Rod Bearing	CB-625P	6	CB-625P	6
		Undersizes	P-10-20-30		P-10-20-30	
		Main Bearing Set	MS-1687P	1	MS-1687P	1
		Undersizes	P-10-20-30		P-10-20-30	
		Engine Cylinder Head Gasket Set / In-frame Overhaul Set	HS5858-3	1	EK3518-1	1
		Engine Conversion Gasket Set	CS5858-2	1		
8.144	Big Cam Connecting Rod Bearings Premium Sleeve Assembly With Standard Size Sleeves OE Rod Bearing Number(s) 214950 OE Main Bearing Number(s) 3801260	Kit Number		459-5203		
		Cylinder Sleeve Assembly			226-1773	6
		Connecting Rod Bearing			CB-1226P	6
		Undersizes			P-10-20-30-40	
		Main Bearing Set			MS-1687P	1
		Undersizes			P-10-20-30	
		In-frame Overhaul Set			EK3522VR	1
8.145	Small Cam Connecting Rod Bearings Premium Sleeve Assembly With Standard Size Sleeves OE Rod Bearing Number(s) 203660 OE Main Bearing Number(s) 3801260	Kit Number	459-1205	459-5205		
		Cylinder Sleeve Assembly	226-1773	6	226-1773	6
		Connecting Rod Bearing	CB-625P	6	CB-625P	6
		Undersizes	P-10-20-30		P-10-20-30	
		Main Bearing Set	MS-1687P	1	MS-1687P	1
		Undersizes	P-10-20-30		P-10-20-30	
		Engine Cylinder Head Gasket Set / In-frame Overhaul Set	HS5858-3	1	EK3518-1	1
		Engine Conversion Gasket Set	CS5858-13	1		

LINE #	NOTES	PART DESCRIPTION	OVERHAUL	QTY	IN-FRAME	QTY
8 (cont.)	5.5000" 855 CID (14.0L) 6 Cyl ; Turbocharged-Aftercooled NT Series					8 (cont.)
8.146	Small Cam Connecting Rod Bearings Premium Sleeve Assembly With Standard Size Sleeves OE Rod Bearing Number(s) 203660 OE Main Bearing Number(s) 3801260	Kit Number	459-1206		459-5206	
		Cylinder Sleeve Assembly	226-1774	6	226-1774	6
		Connecting Rod Bearing	CB-625P	6	CB-625P	6
		Undersizes	P-10-20-30		P-10-20-30	
		Main Bearing Set	MS-1687P	1	MS-1687P	1
		Undersizes	P-10-20-30		P-10-20-30	
		Engine Cylinder Head Gasket Set / In-frame Overhaul Set	HS5858-3	1	EK3518-1	1
		Engine Conversion Gasket Set	CS5858-4	1		
8.147	Small Cam Connecting Rod Bearings Premium Sleeve Assembly With Standard Size Sleeves OE Rod Bearing Number(s) 203660 OE Main Bearing Number(s) 3801260	Kit Number	459-1207		459-5206	
		Cylinder Sleeve Assembly	226-1774	6	226-1774	6
		Connecting Rod Bearing	CB-625P	6	CB-625P	6
		Undersizes	P-10-20-30		P-10-20-30	
		Main Bearing Set	MS-1687P	1	MS-1687P	1
		Undersizes	P-10-20-30		P-10-20-30	
		Engine Cylinder Head Gasket Set / In-frame Overhaul Set	HS5858-3	1	EK3518-1	1
		Engine Conversion Gasket Set	CS5858-13	1		
8.148	Small Cam Connecting Rod Bearings Premium Sleeve Assembly With Standard Size Sleeves OE Rod Bearing Number(s) 203660 OE Main Bearing Number(s) 3801260	Kit Number	459-1208		459-5206	
		Cylinder Sleeve Assembly	226-1774	6	226-1774	6
		Connecting Rod Bearing	CB-625P	6	CB-625P	6
		Undersizes	P-10-20-30		P-10-20-30	
		Main Bearing Set	MS-1687P	1	MS-1687P	1
		Undersizes	P-10-20-30		P-10-20-30	
		Engine Cylinder Head Gasket Set / In-frame Overhaul Set	HS5858-3	1	EK3518-1	1
		Engine Conversion Gasket Set	CS5858-2	1		
8.149	Small Cam Connecting Rod Bearings Premium Plus Sleeve Assembly With Standard Size Sleeves OE Rod Bearing Number(s) 203660 OE Main Bearing Number(s) 3801260	Kit Number	459-1209		459-5209	
		Cylinder Sleeve Assembly	226-1775	6	226-1775	6
		Connecting Rod Bearing	CB-625P	6	CB-625P	6
		Undersizes	P-10-20-30		P-10-20-30	
		Main Bearing Set	MS-1687P	1	MS-1687P	1
		Undersizes	P-10-20-30		P-10-20-30	
		Engine Cylinder Head Gasket Set / In-frame Overhaul Set	HS5858-3	1	EK3518-1	1
		Engine Conversion Gasket Set	CS5858-7	1		
8.150	Small Cam Connecting Rod Bearings Premium Plus Sleeve Assembly With Standard Size Sleeves OE Rod Bearing Number(s) 203660 OE Main Bearing Number(s) 3801260	Kit Number	459-1210		459-5209	
		Cylinder Sleeve Assembly	226-1775	6	226-1775	6
		Connecting Rod Bearing	CB-625P	6	CB-625P	6
		Undersizes	P-10-20-30		P-10-20-30	
		Main Bearing Set	MS-1687P	1	MS-1687P	1
		Undersizes	P-10-20-30		P-10-20-30	
		Engine Cylinder Head Gasket Set / In-frame Overhaul Set	HS5858-3	1	EK3518-1	1
		Engine Conversion Gasket Set	CS5858-2	1		

LINE #	NOTES	PART DESCRIPTION	OVERHAUL	QTY	IN-FRAME	QTY
8 (cont.)	5.5000" 855 CID (14.0L) 6 Cyl ; Turbocharged-Aftercooled NT Series					8 (cont.)
8.151	Small Cam Connecting Rod Bearings Premium Plus Sleeve Assembly With 0.020"/0.040" Oversized Lower Press Fit Sleeves OE Rod Bearing Number(s) 203660 OE Main Bearing Number(s) 3801260	Kit Number	459-1216		459-5216	
		Cylinder Sleeve Assembly	226-1792	6	226-1792	6
		Connecting Rod Bearing	CB-625P	6	CB-625P	6
		Undersizes	P-10-20-30		P-10-20-30	
		Main Bearing Set	MS-1687P	1	MS-1687P	1
		Undersizes	P-10-20-30		P-10-20-30	
		Engine Cylinder Head Gasket Set / In-frame Overhaul Set	HS5858-3	1	EK3518-1	1
		Engine Conversion Gasket Set	CS5858-4	1		
8.152	Small Cam Connecting Rod Bearings Premium Plus Sleeve Assembly With 0.020"/0.040" Oversized Lower Press Fit Sleeves OE Rod Bearing Number(s) 203660 OE Main Bearing Number(s) 3801260	Kit Number	459-1217		459-5216	
		Cylinder Sleeve Assembly	226-1792	6	226-1792	6
		Connecting Rod Bearing	CB-625P	6	CB-625P	6
		Undersizes	P-10-20-30		P-10-20-30	
		Main Bearing Set	MS-1687P	1	MS-1687P	1
		Undersizes	P-10-20-30		P-10-20-30	
		Engine Cylinder Head Gasket Set / In-frame Overhaul Set	HS5858-3	1	EK3518-1	1
		Engine Conversion Gasket Set	CS5858-13	1		
8.153	Small Cam Connecting Rod Bearings Premium Plus Sleeve Assembly With 0.020"/0.040" Oversized Lower Press Fit Sleeves OE Rod Bearing Number(s) 203660 OE Main Bearing Number(s) 3801260	Kit Number	459-1218		459-5216	
		Cylinder Sleeve Assembly	226-1792	6	226-1792	6
		Connecting Rod Bearing	CB-625P	6	CB-625P	6
		Undersizes	P-10-20-30		P-10-20-30	
		Main Bearing Set	MS-1687P	1	MS-1687P	1
		Undersizes	P-10-20-30		P-10-20-30	
		Engine Cylinder Head Gasket Set / In-frame Overhaul Set	HS5858-3	1	EK3518-1	1
		Engine Conversion Gasket Set	CS5858-2	1		
8.154	Big Cam Connecting Rod Bearings Premium Plus Sleeve Assembly With 0.020"/0.040" Oversized Lower Press Fit Sleeves OE Rod Bearing Number(s) 214950 OE Main Bearing Number(s) 3801260	Kit Number			459-5219	
		Cylinder Sleeve Assembly			226-1793	6
		Connecting Rod Bearing			CB-1226P	6
		Undersizes			P-10-20-30-40	
		Main Bearing Set			MS-1687P	1
		Undersizes			P-10-20-30	
		In-frame Overhaul Set			EK3522VR	1
		8.155	Small Cam Connecting Rod Bearings Premium Plus Sleeve Assembly With 0.020"/0.040" Oversized Lower Press Fit Sleeves OE Rod Bearing Number(s) 203660 OE Main Bearing Number(s) 3801260	Kit Number	459-1221	
Cylinder Sleeve Assembly	226-1793			6	226-1793	6
Connecting Rod Bearing	CB-625P			6	CB-625P	6
Undersizes	P-10-20-30				P-10-20-30	
Main Bearing Set	MS-1687P			1	MS-1687P	1
Undersizes	P-10-20-30				P-10-20-30	
Engine Cylinder Head Gasket Set / In-frame Overhaul Set	HS5858-3			1	EK3518-1	1
Engine Conversion Gasket Set	CS5858-13			1		

LINE #	NOTES	PART DESCRIPTION	OVERHAUL	QTY	IN-FRAME	QTY
8 (cont.)	5.5000" 855 CID (14.0L) 6 Cyl ; Turbocharged-Aftercooled NT Series					8 (cont.)
8.156	Small Cam Connecting Rod Bearings Premium Plus Sleeve Assembly With 0.020"/0.040" Oversized Lower Press Fit Sleeves OE Rod Bearing Number(s) 203660, 214950 OE Main Bearing Number(s) 3801260	Kit Number	459-1224	459-5224		
		Cylinder Sleeve Assembly	226-1794	6	226-1794	6
		Connecting Rod Bearing	CB-1226P	6	CB-625P	6
		Undersizes	P-10-20-30-40		P-10-20-30	
		Main Bearing Set	MS-1687P	1	MS-1687P	1
		Undersizes	P-10-20-30		P-10-20-30	
		Engine Cylinder Head Gasket Set / In-frame Overhaul Set	HS5858-3	1	EK3518-1	1
		Engine Conversion Gasket Set	CS5858-4	1		
8.157	Small Cam Connecting Rod Bearings Premium Plus Sleeve Assembly With 0.020"/0.040" Oversized Lower Press Fit Sleeves OE Rod Bearing Number(s) 203660 OE Main Bearing Number(s) 3801260	Kit Number	459-1225	459-5224		
		Cylinder Sleeve Assembly	226-1794	6	226-1794	6
		Connecting Rod Bearing	CB-625P	6	CB-625P	6
		Undersizes	P-10-20-30		P-10-20-30	
		Main Bearing Set	MS-1687P	1	MS-1687P	1
		Undersizes	P-10-20-30		P-10-20-30	
		Engine Cylinder Head Gasket Set / In-frame Overhaul Set	HS5858-3	1	EK3518-1	1
		Engine Conversion Gasket Set	CS5858-2	1		
8.158	Small Cam Connecting Rod Bearings Premium Plus Sleeve Assembly With 0.020"/0.040" Oversized Lower Press Fit Sleeves OE Rod Bearing Number(s) 203660 OE Main Bearing Number(s) 3801260	Kit Number	459-1227	459-5227		
		Cylinder Sleeve Assembly	226-1796	6	226-1796	6
		Connecting Rod Bearing	CB-625P	6	CB-625P	6
		Undersizes	P-10-20-30		P-10-20-30	
		Main Bearing Set	MS-1687P	1	MS-1687P	1
		Undersizes	P-10-20-30		P-10-20-30	
		Engine Cylinder Head Gasket Set	HS5858-3	1	HS5858-3	1
		Engine Conversion Gasket Set / Engine Oil Pan Gasket Set	CS5858-13	1	OS21996	1
8.159	Small Cam Connecting Rod Bearings Premium Plus Sleeve Assembly With 0.020"/0.040" Oversized Lower Press Fit Sleeves OE Rod Bearing Number(s) 203660 OE Main Bearing Number(s) 3801260	Kit Number	459-1228	459-5227		
		Cylinder Sleeve Assembly	226-1796	6	226-1796	6
		Connecting Rod Bearing	CB-625P	6	CB-625P	6
		Undersizes	P-10-20-30		P-10-20-30	
		Main Bearing Set	MS-1687P	1	MS-1687P	1
		Undersizes	P-10-20-30		P-10-20-30	
		Engine Cylinder Head Gasket Set	HS5858-3	1	HS5858-3	1
		Engine Conversion Gasket Set / Engine Oil Pan Gasket Set	CS5858-7	1	OS21996	1
8.160	Small Cam Connecting Rod Bearings Premium Plus Sleeve Assembly With 0.020"/0.040" Oversized Lower Press Fit Sleeves OE Rod Bearing Number(s) 203660 OE Main Bearing Number(s) 3801260	Kit Number	459-1229	459-5227		
		Cylinder Sleeve Assembly	226-1796	6	226-1796	6
		Connecting Rod Bearing	CB-625P	6	CB-625P	6
		Undersizes	P-10-20-30		P-10-20-30	
		Main Bearing Set	MS-1687P	1	MS-1687P	1
		Undersizes	P-10-20-30		P-10-20-30	
		Engine Cylinder Head Gasket Set	HS5858-3	1	HS5858-3	1
		Engine Conversion Gasket Set / Engine Oil Pan Gasket Set	CS5858-2	1	OS21996	1

LINE #	NOTES	PART DESCRIPTION	OVERHAUL	QTY	IN-FRAME	QTY
8 (cont.)	5.5000" 855 CID (14.0L) 6 Cyl ; Turbocharged-Aftercooled NT Series					8 (cont.)
8.161	Big Cam Connecting Rod Bearings Dual Ni-Resist Piston Sleeve Assembly With Standard Size Sleeves OE Rod Bearing Number(s) 214950 OE Main Bearing Number(s) 3801260	Kit Number	459-1230	459-5230		
		Cylinder Sleeve Assembly	226-1821	6	226-1821	6
		Connecting Rod Bearing	CB-1226P	6	CB-1226P	6
		Undersizes	P-10-20-30-40		P-10-20-30-40	
		Main Bearing Set	MS-1687P	1	MS-1687P	1
		Undersizes	P-10-20-30		P-10-20-30	
		Engine Cylinder Head Gasket Set / In-frame Overhaul Set	HS5858A	1	EK3523VR	1
		Engine Conversion Gasket Set	CS5858-3	1		
8.162	Big Cam Connecting Rod Bearings Dual Ni-Resist Piston Sleeve Assembly With Standard Size Sleeves OE Rod Bearing Number(s) 214950 OE Main Bearing Number(s) 3801260	Kit Number	459-1231	459-5230		
		Cylinder Sleeve Assembly	226-1821	6	226-1821	6
		Connecting Rod Bearing	CB-1226P	6	CB-1226P	6
		Undersizes	P-10-20-30-40		P-10-20-30-40	
		Main Bearing Set	MS-1687P	1	MS-1687P	1
		Undersizes	P-10-20-30		P-10-20-30	
		Engine Cylinder Head Gasket Set / In-frame Overhaul Set	HS5858A	1	EK3523VR	1
		Engine Conversion Gasket Set	CS5858-6	1		
8.163	Big Cam Connecting Rod Bearings Dual Ni-Resist Piston Sleeve Assembly With 0.020"/0.040" Oversized Lower Press Fit Sleeves OE Rod Bearing Number(s) 214950 OE Main Bearing Number(s) 3801260	Kit Number	459-1232	459-5232		
		Cylinder Sleeve Assembly	226-1822	6	226-1822	6
		Connecting Rod Bearing	CB-1226P	6	CB-1226P	6
		Undersizes	P-10-20-30-40		P-10-20-30-40	
		Main Bearing Set	MS-1687P	1	MS-1687P	1
		Undersizes	P-10-20-30		P-10-20-30	
		Engine Cylinder Head Gasket Set / In-frame Overhaul Set	HS5858A	1	EK3523VR	1
		Engine Conversion Gasket Set	CS5858-3	1		
8.164	Big Cam Connecting Rod Bearings Dual Ni-Resist Piston Sleeve Assembly With 0.020"/0.040" Oversized Lower Press Fit Sleeves OE Rod Bearing Number(s) 214950 OE Main Bearing Number(s) 3801260	Kit Number	459-1233	459-5232		
		Cylinder Sleeve Assembly	226-1822	6	226-1822	6
		Connecting Rod Bearing	CB-1226P	6	CB-1226P	6
		Undersizes	P-10-20-30-40		P-10-20-30-40	
		Main Bearing Set	MS-1687P	1	MS-1687P	1
		Undersizes	P-10-20-30		P-10-20-30	
		Engine Cylinder Head Gasket Set / In-frame Overhaul Set	HS5858A	1	EK3523VR	1
		Engine Conversion Gasket Set	CS5858-6	1		
8.165	Small Cam Connecting Rod Bearings Dual Ni-Resist Piston Sleeve Assembly With Standard Size Sleeves OE Rod Bearing Number(s) 203660 OE Main Bearing Number(s) 3801260	Kit Number	459-1236	459-5236		
		Cylinder Sleeve Assembly	226-1831	6	226-1831	6
		Connecting Rod Bearing	CB-625P	6	CB-625P	6
		Undersizes	P-10-20-30		P-10-20-30	
		Main Bearing Set	MS-1687P	1	MS-1687P	1
		Undersizes	P-10-20-30		P-10-20-30	
		Engine Cylinder Head Gasket Set / In-frame Overhaul Set	HS5858-3	1	EK3518-1	1
		Engine Conversion Gasket Set	CS5858-4	1		

LINE #	NOTES	PART DESCRIPTION	OVERHAUL	QTY	IN-FRAME	QTY
8 (cont.)	5.5000" 855 CID (14.0L) 6 Cyl ; Turbocharged-Aftercooled NT Series					8 (cont.)
8.166	Small Cam Connecting Rod Bearings Dual Ni-Resist Piston Sleeve Assembly With Standard Size Sleeves OE Rod Bearing Number(s) 203660 OE Main Bearing Number(s) 3801260	Kit Number	459-1237		459-5236	
		Cylinder Sleeve Assembly	226-1831	6	226-1831	6
		Connecting Rod Bearing	CB-625P	6	CB-625P	6
		Undersizes	P-10-20-30		P-10-20-30	
		Main Bearing Set	MS-1687P	1	MS-1687P	1
		Undersizes	P-10-20-30		P-10-20-30	
		Engine Cylinder Head Gasket Set / In-frame Overhaul Set	HS5858-3	1	EK3518-1	1
		Engine Conversion Gasket Set	CS5858-13	1		
8.167	Small Cam Connecting Rod Bearings Dual Ni-Resist Piston Sleeve Assembly With Standard Size Sleeves OE Rod Bearing Number(s) 203660 OE Main Bearing Number(s) 3801260	Kit Number	459-1238		459-5236	
		Cylinder Sleeve Assembly	226-1831	6	226-1831	6
		Connecting Rod Bearing	CB-625P	6	CB-625P	6
		Undersizes	P-10-20-30		P-10-20-30	
		Main Bearing Set	MS-1687P	1	MS-1687P	1
		Undersizes	P-10-20-30		P-10-20-30	
		Engine Cylinder Head Gasket Set / In-frame Overhaul Set	HS5858-3	1	EK3518-1	1
		Engine Conversion Gasket Set	CS5858-2	1		
8.168	Small Cam Connecting Rod Bearings Dual Ni-Resist Piston Sleeve Assembly With 0.020"/0.040" Oversized Lower Press Fit Sleeves OE Rod Bearing Number(s) 203660 OE Main Bearing Number(s) 3801260	Kit Number	459-1242		459-5242	
		Cylinder Sleeve Assembly	226-1832	6	226-1832	6
		Connecting Rod Bearing	CB-625P	6	CB-625P	6
		Undersizes	P-10-20-30		P-10-20-30	
		Main Bearing Set	MS-1687P	1	MS-1687P	1
		Undersizes	P-10-20-30		P-10-20-30	
		Engine Cylinder Head Gasket Set / In-frame Overhaul Set	HS5858-3	1	EK3518-1	1
		Engine Conversion Gasket Set	CS5858-4	1		
8.169	Small Cam Connecting Rod Bearings Dual Ni-Resist Piston Sleeve Assembly With 0.020"/0.040" Oversized Lower Press Fit Sleeves OE Rod Bearing Number(s) 203660 OE Main Bearing Number(s) 3801260	Kit Number	459-1243		459-5242	
		Cylinder Sleeve Assembly	226-1832	6	226-1832	6
		Connecting Rod Bearing	CB-625P	6	CB-625P	6
		Undersizes	P-10-20-30		P-10-20-30	
		Main Bearing Set	MS-1687P	1	MS-1687P	1
		Undersizes	P-10-20-30		P-10-20-30	
		Engine Cylinder Head Gasket Set / In-frame Overhaul Set	HS5858-3	1	EK3518-1	1
		Engine Conversion Gasket Set	CS5858-13	1		
8.170	Small Cam Connecting Rod Bearings Dual Ni-Resist Piston Sleeve Assembly With 0.020"/0.040" Oversized Lower Press Fit Sleeves OE Rod Bearing Number(s) 203660 OE Main Bearing Number(s) 3801260	Kit Number	459-1244		459-5242	
		Cylinder Sleeve Assembly	226-1832	6	226-1832	6
		Connecting Rod Bearing	CB-625P	6	CB-625P	6
		Undersizes	P-10-20-30		P-10-20-30	
		Main Bearing Set	MS-1687P	1	MS-1687P	1
		Undersizes	P-10-20-30		P-10-20-30	
		Engine Cylinder Head Gasket Set / In-frame Overhaul Set	HS5858-3	1	EK3518-1	1
		Engine Conversion Gasket Set	CS5858-2	1		

LINE #	NOTES	PART DESCRIPTION	OVERHAUL	QTY	IN-FRAME	QTY
8 (cont.)	5.5000" 855 CID (14.0L) 6 Cyl ; Turbocharged-Aftercooled NT Series					8 (cont.)
8.171	Small Cam Connecting Rod Bearings Dual Ni-Resist Piston Sleeve Assembly With Standard Size Sleeves OE Rod Bearing Number(s) 203660 OE Main Bearing Number(s) 3801260	Kit Number	459-1248		459-5248	
		Cylinder Sleeve Assembly	226-1833	6	226-1833	6
		Connecting Rod Bearing	CB-625P	6	CB-625P	6
		Undersizes	P-10-20-30		P-10-20-30	
		Main Bearing Set	MS-1687P	1	MS-1687P	1
		Undersizes	P-10-20-30		P-10-20-30	
		Engine Cylinder Head Gasket Set / In-frame Overhaul Set	HS5858-3	1	EK3518-1	1
		Engine Conversion Gasket Set	CS5858-4	1		
8.172	Small Cam Connecting Rod Bearings Dual Ni-Resist Piston Sleeve Assembly With 0.020"/0.040" Oversized Lower Press Fit Sleeves OE Rod Bearing Number(s) 203660 OE Main Bearing Number(s) 3801260	Kit Number	459-1251		459-5251	
		Cylinder Sleeve Assembly	226-1834	6	226-1834	6
		Connecting Rod Bearing	CB-625P	6	CB-625P	6
		Undersizes	P-10-20-30		P-10-20-30	
		Main Bearing Set	MS-1687P	1	MS-1687P	1
		Undersizes	P-10-20-30		P-10-20-30	
		Engine Cylinder Head Gasket Set / In-frame Overhaul Set	HS5858-3	1	EK3518-1	1
		Engine Conversion Gasket Set	CS5858-4	1		
8.173	Small Cam Connecting Rod Bearings Dual Ni-Resist Piston Sleeve Assembly With Standard Size Sleeves OE Rod Bearing Number(s) 203660 OE Main Bearing Number(s) 3801260	Kit Number	459-1256		459-5256	
		Cylinder Sleeve Assembly	226-1835	6	226-1835	6
		Connecting Rod Bearing	CB-625P	6	CB-625P	6
		Undersizes	P-10-20-30		P-10-20-30	
		Main Bearing Set	MS-1687P	1	MS-1687P	1
		Undersizes	P-10-20-30		P-10-20-30	
		Engine Cylinder Head Gasket Set / In-frame Overhaul Set	HS5858-3	1	EK3518-1	1
		Engine Conversion Gasket Set	CS5858-13	1		
8.174	Big Cam Connecting Rod Bearings Dual Ni-Resist Piston Sleeve Assembly With Standard Size Sleeves OE Rod Bearing Number(s) 214950 OE Main Bearing Number(s) 3801260	Kit Number	459-1257		459-5257	
		Cylinder Sleeve Assembly	226-1835	6	226-1835	6
		Connecting Rod Bearing	CB-1226P	6	CB-1226P	6
		Undersizes	P-10-20-30-40		P-10-20-30-40	
		Main Bearing Set	MS-1687P	1	MS-1687P	1
		Undersizes	P-10-20-30		P-10-20-30	
		Engine Cylinder Head Gasket Set / In-frame Overhaul Set	HS5858-16	1	EK3520-1	1
		Engine Conversion Gasket Set	CS5858-6	1		
8.175	Small Cam Connecting Rod Bearings Dual Ni-Resist Piston Sleeve Assembly With 0.020"/0.040" Oversized Lower Press Fit Sleeves OE Rod Bearing Number(s) 203660 OE Main Bearing Number(s) 3801260	Kit Number	459-1259		459-5259	
		Cylinder Sleeve Assembly	226-1836	6	226-1836	6
		Connecting Rod Bearing	CB-625P	6	CB-625P	6
		Undersizes	P-10-20-30		P-10-20-30	
		Main Bearing Set	MS-1687P	1	MS-1687P	1
		Undersizes	P-10-20-30		P-10-20-30	
		Engine Cylinder Head Gasket Set / In-frame Overhaul Set	HS5858-3	1	EK3518-1	1
		Engine Conversion Gasket Set	CS5858-13	1		

LINE #	NOTES	PART DESCRIPTION	OVERHAUL	QTY	IN-FRAME	QTY
8 (cont.)	5.5000" 855 CID (14.0L) 6 Cyl ; Turbocharged-Aftercooled NT Series					8 (cont.)
8.176	Big Cam Connecting Rod Bearings Dual Ni-Resist Piston Sleeve Assembly With 0.020"/0.040" Oversized Lower Press Fit Sleeves OE Rod Bearing Number(s) 214950 OE Main Bearing Number(s) 3801260	Kit Number	459-1260	459-5260		
		Cylinder Sleeve Assembly	226-1836	6	226-1836	6
		Connecting Rod Bearing	CB-1226P	6	CB-1226P	6
		Undersizes	P-10-20-30-40		P-10-20-30-40	
		Main Bearing Set	MS-1687P	1	MS-1687P	1
		Undersizes	P-10-20-30		P-10-20-30	
		Engine Cylinder Head Gasket Set / In-frame Overhaul Set	HS5858-16	1	EK3520-1	1
		Engine Conversion Gasket Set	CS5858-6	1		
8.177	Small Cam Connecting Rod Bearings Dual Ni-Resist Piston Sleeve Assembly With Standard Size Sleeves OE Rod Bearing Number(s) 203660 OE Main Bearing Number(s) 3801260	Kit Number	459-1261	459-5261		
		Cylinder Sleeve Assembly	226-1837	6	226-1837	6
		Connecting Rod Bearing	CB-625P	6	CB-625P	6
		Undersizes	P-10-20-30		P-10-20-30	
		Main Bearing Set	MS-1687P	1	MS-1687P	1
		Undersizes	P-10-20-30		P-10-20-30	
		Engine Cylinder Head Gasket Set / In-frame Overhaul Set	HS5858-3	1	EK3518-1	1
		Engine Conversion Gasket Set	CS5858-13	1		
8.178	Big Cam Connecting Rod Bearings Dual Ni-Resist Piston Sleeve Assembly With Standard Size Sleeves OE Rod Bearing Number(s) 214950 OE Main Bearing Number(s) 3801260	Kit Number	459-1272	459-5272		
		Cylinder Sleeve Assembly	226-1841	6	226-1841	6
		Connecting Rod Bearing	CB-1226P	6	CB-1226P	6
		Undersizes	P-10-20-30-40		P-10-20-30-40	
		Main Bearing Set	MS-1687P	1	MS-1687P	1
		Undersizes	P-10-20-30		P-10-20-30	
		Engine Cylinder Head Gasket Set / In-frame Overhaul Set	HS5858A	1	EK3523VR	1
		Engine Conversion Gasket Set	CS5858-3	1		
8.179	Big Cam Connecting Rod Bearings Dual Ni-Resist Piston Sleeve Assembly With 0.020"/0.040" Oversized Lower Press Fit Sleeves OE Rod Bearing Number(s) 214950 OE Main Bearing Number(s) 3801260	Kit Number	459-1274	459-5274		
		Cylinder Sleeve Assembly	226-1842	6	226-1842	6
		Connecting Rod Bearing	CB-1226P	6	CB-1226P	6
		Undersizes	P-10-20-30-40		P-10-20-30-40	
		Main Bearing Set	MS-1687P	1	MS-1687P	1
		Undersizes	P-10-20-30		P-10-20-30	
		Engine Cylinder Head Gasket Set / In-frame Overhaul Set	HS5858A	1	EK3523VR	1
		Engine Conversion Gasket Set	CS5858-3	1		
8.180	Big Cam Connecting Rod Bearings Premium Sleeve Assembly With 0.020"/0.040" Oversized Lower Press Fit Sleeves OE Rod Bearing Number(s) 214950 OE Main Bearing Number(s) 3801260	Kit Number	459-1281	459-5281		
		Cylinder Sleeve Assembly	226-1847	6	226-1847	6
		Connecting Rod Bearing	CB-1226P	6	CB-1226P	6
		Undersizes	P-10-20-30-40		P-10-20-30-40	
		Main Bearing Set	MS-1687P	1	MS-1687P	1
		Undersizes	P-10-20-30		P-10-20-30	
		Engine Cylinder Head Gasket Set / In-frame Overhaul Set	HS5858-3	1	EK3518-1	1
		Engine Conversion Gasket Set	CS5858-4	1		

LINE #	NOTES	PART DESCRIPTION	OVERHAUL	QTY	IN-FRAME	QTY
8 (cont.)	5.5000" 855 CID (14.0L) 6 Cyl ; Turbocharged-Aftercooled NT Series					8 (cont.)
8.181	Big Cam Connecting Rod Bearings Premium Sleeve Assembly With 0.020"/0.040" Oversized Lower Press Fit Sleeves OE Rod Bearing Number(s) 214950 OE Main Bearing Number(s) 3801260	Kit Number	459-1282	459-5281		
		Cylinder Sleeve Assembly	226-1847	6	226-1847	6
		Connecting Rod Bearing	CB-1226P	6	CB-1226P	6
		Undersizes	P-10-20-30-40		P-10-20-30-40	
		Main Bearing Set	MS-1687P	1	MS-1687P	1
		Undersizes	P-10-20-30		P-10-20-30	
		Engine Cylinder Head Gasket Set / In-frame Overhaul Set	HS5858-3	1	EK3518-1	1
		Engine Conversion Gasket Set	CS5858-13	1		
8.182	Big Cam Connecting Rod Bearings Premium Sleeve Assembly With 0.020"/0.040" Oversized Lower Press Fit Sleeves OE Rod Bearing Number(s) 214950 OE Main Bearing Number(s) 3801260	Kit Number	459-1283	459-5281		
		Cylinder Sleeve Assembly	226-1847	6	226-1847	6
		Connecting Rod Bearing	CB-1226P	6	CB-1226P	6
		Undersizes	P-10-20-30-40		P-10-20-30-40	
		Main Bearing Set	MS-1687P	1	MS-1687P	1
		Undersizes	P-10-20-30		P-10-20-30	
		Engine Cylinder Head Gasket Set / In-frame Overhaul Set	HS5858-3	1	EK3518-1	1
		Engine Conversion Gasket Set	CS5858-7	1		
8.183	Big Cam Connecting Rod Bearings Premium Sleeve Assembly With 0.020"/0.040" Oversized Lower Press Fit Sleeves OE Rod Bearing Number(s) 214950 OE Main Bearing Number(s) 3801260	Kit Number	459-1284	459-5281		
		Cylinder Sleeve Assembly	226-1847	6	226-1847	6
		Connecting Rod Bearing	CB-1226P	6	CB-1226P	6
		Undersizes	P-10-20-30-40		P-10-20-30-40	
		Main Bearing Set	MS-1687P	1	MS-1687P	1
		Undersizes	P-10-20-30		P-10-20-30	
		Engine Cylinder Head Gasket Set / In-frame Overhaul Set	HS5858-3	1	EK3518-1	1
		Engine Conversion Gasket Set	CS5858-2	1		
8.184	Small Cam Connecting Rod Bearings Premium Sleeve Assembly With 0.020"/0.040" Oversized Lower Press Fit Sleeves OE Rod Bearing Number(s) 203660 OE Main Bearing Number(s) 3801260	Kit Number	459-1285	459-5285		
		Cylinder Sleeve Assembly	226-1847	6	226-1847	6
		Connecting Rod Bearing	CB-625P	6	CB-625P	6
		Undersizes	P-10-20-30		P-10-20-30	
		Main Bearing Set	MS-1687P	1	MS-1687P	1
		Undersizes	P-10-20-30		P-10-20-30	
		Engine Cylinder Head Gasket Set / In-frame Overhaul Set	HS5858-3	1	EK3518-1	1
		Engine Conversion Gasket Set	CS5858-13	1		
8.185	Small Cam Connecting Rod Bearings Premium Sleeve Assembly With 0.020"/0.040" Oversized Lower Press Fit Sleeves OE Rod Bearing Number(s) 203660 OE Main Bearing Number(s) 3801260	Kit Number	459-1286	459-5285		
		Cylinder Sleeve Assembly	226-1847	6	226-1847	6
		Connecting Rod Bearing	CB-625P	6	CB-625P	6
		Undersizes	P-10-20-30		P-10-20-30	
		Main Bearing Set	MS-1687P	1	MS-1687P	1
		Undersizes	P-10-20-30		P-10-20-30	
		Engine Cylinder Head Gasket Set / In-frame Overhaul Set	HS5858-3	1	EK3518-1	1
		Engine Conversion Gasket Set	CS5858-7	1		

LINE #	NOTES	PART DESCRIPTION	OVERHAUL	QTY	IN-FRAME	QTY
8 (cont.)	5.5000" 855 CID (14.0L) 6 Cyl ; Turbocharged-Aftercooled NT Series					8 (cont.)
8.186	Small Cam Connecting Rod Bearings Premium Sleeve Assembly With 0.020"/0.040" Oversized Lower Press Fit Sleeves OE Rod Bearing Number(s) 203660 OE Main Bearing Number(s) 3801260	Kit Number	459-1287		459-5285	
		Cylinder Sleeve Assembly	226-1847	6	226-1847	6
		Connecting Rod Bearing	CB-625P	6	CB-625P	6
		Undersizes	P-10-20-30		P-10-20-30	
		Main Bearing Set	MS-1687P	1	MS-1687P	1
		Undersizes	P-10-20-30		P-10-20-30	
		Engine Cylinder Head Gasket Set / In-frame Overhaul Set	HS5858-3	1	EK3518-1	1
		Engine Conversion Gasket Set	CS5858-2	1		
8.187	Big Cam Connecting Rod Bearings Premium Sleeve Assembly With 0.020"/0.040" Oversized Lower Press Fit Sleeves OE Rod Bearing Number(s) 214950 OE Main Bearing Number(s) 3801260	Kit Number	459-1288		459-5288	
		Cylinder Sleeve Assembly	226-1848	6	226-1848	6
		Connecting Rod Bearing	CB-1226P	6	CB-1226P	6
		Undersizes	P-10-20-30-40		P-10-20-30-40	
		Main Bearing Set	MS-1687P	1	MS-1687P	1
		Undersizes	P-10-20-30		P-10-20-30	
		Engine Cylinder Head Gasket Set / In-frame Overhaul Set	HS5858-3	1	EK3518-1	1
		Engine Conversion Gasket Set	CS5858-4	1		
8.188	Big Cam Connecting Rod Bearings Premium Sleeve Assembly With 0.020"/0.040" Oversized Lower Press Fit Sleeves OE Rod Bearing Number(s) 214950 OE Main Bearing Number(s) 3801260	Kit Number	459-1289		459-5288	
		Cylinder Sleeve Assembly	226-1848	6	226-1848	6
		Connecting Rod Bearing	CB-1226P	6	CB-1226P	6
		Undersizes	P-10-20-30-40		P-10-20-30-40	
		Main Bearing Set	MS-1687P	1	MS-1687P	1
		Undersizes	P-10-20-30		P-10-20-30	
		Engine Cylinder Head Gasket Set / In-frame Overhaul Set	HS5858-3	1	EK3518-1	1
		Engine Conversion Gasket Set	CS5858-7	1		
8.189	Big Cam Connecting Rod Bearings Premium Sleeve Assembly With 0.020"/0.040" Oversized Lower Press Fit Sleeves OE Rod Bearing Number(s) 214950 OE Main Bearing Number(s) 3801260	Kit Number	459-1290		459-5288	
		Cylinder Sleeve Assembly	226-1848	6	226-1848	6
		Connecting Rod Bearing	CB-1226P	6	CB-1226P	6
		Undersizes	P-10-20-30-40		P-10-20-30-40	
		Main Bearing Set	MS-1687P	1	MS-1687P	1
		Undersizes	P-10-20-30		P-10-20-30	
		Engine Cylinder Head Gasket Set / In-frame Overhaul Set	HS5858-3	1	EK3518-1	1
		Engine Conversion Gasket Set	CS5858-2	1		
8.190	Small Cam Connecting Rod Bearings Premium Sleeve Assembly With 0.020"/0.040" Oversized Lower Press Fit Sleeves OE Rod Bearing Number(s) 203660 OE Main Bearing Number(s) 3801260	Kit Number	459-1292		459-5292	
		Cylinder Sleeve Assembly	226-1848	6	226-1848	6
		Connecting Rod Bearing	CB-625P	6	CB-625P	6
		Undersizes	P-10-20-30		P-10-20-30	
		Main Bearing Set	MS-1687P	1	MS-1687P	1
		Undersizes	P-10-20-30		P-10-20-30	
		Engine Cylinder Head Gasket Set / In-frame Overhaul Set	HS5858-3	1	EK3518-1	1
		Engine Conversion Gasket Set	CS5858-7	1		

LINE #	NOTES	PART DESCRIPTION	OVERHAUL	QTY	IN-FRAME	QTY
8 (cont.)	5.5000" 855 CID (14.0L) 6 Cyl ; Turbocharged-Aftercooled NT Series					8 (cont.)
8.191	Small Cam Connecting Rod Bearings Premium Sleeve Assembly With 0.020"/0.040" Oversized Lower Press Fit Sleeves OE Rod Bearing Number(s) 203660 OE Main Bearing Number(s) 3801260	Kit Number	459-1293	459-5292		
		Cylinder Sleeve Assembly	226-1848	6	226-1848	6
		Connecting Rod Bearing	CB-625P	6	CB-625P	6
		Undersizes	P-10-20-30		P-10-20-30	
		Main Bearing Set	MS-1687P	1	MS-1687P	1
		Undersizes	P-10-20-30		P-10-20-30	
		Engine Cylinder Head Gasket Set / In-frame Overhaul Set	HS5858-3	1	EK3518-1	1
	Engine Conversion Gasket Set	CS5858-2	1			
8.192	Big Cam Connecting Rod Bearings Premium Sleeve Assembly With 0.020"/0.040" Oversized Lower Press Fit Sleeves OE Rod Bearing Number(s) 214950 OE Main Bearing Number(s) 3801260	Kit Number		459-5301		
		Cylinder Sleeve Assembly			226-1860	6
		Connecting Rod Bearing			CB-1226P	6
		Undersizes			P-10-20-30-40	
		Main Bearing Set			MS-1687P	1
		Undersizes			P-10-20-30	
		In-frame Overhaul Set			EK3522VR	1
8.193	Big Cam Connecting Rod Bearings Premium Sleeve Assembly With 0.020"/0.040" Oversized Lower Press Fit Sleeves OE Rod Bearing Number(s) 214950 OE Main Bearing Number(s) 3801260	Kit Number	459-1302	459-5302		
		Cylinder Sleeve Assembly	226-1860	6	226-1860	6
		Connecting Rod Bearing	CB-1226P	6	CB-1226P	6
		Undersizes	P-10-20-30-40		P-10-20-30-40	
		Main Bearing Set	MS-1687P	1	MS-1687P	1
		Undersizes	P-10-20-30		P-10-20-30	
		Engine Cylinder Head Gasket Set	HS5858-3	1	HS5858-3	1
	Engine Conversion Gasket Set / Engine Oil Pan Gasket Set	CS5858-4	1	OS21996	1	
8.194	Big Cam Connecting Rod Bearings Premium Sleeve Assembly With 0.020"/0.040" Oversized Lower Press Fit Sleeves OE Rod Bearing Number(s) 214950 OE Main Bearing Number(s) 3801260	Kit Number	459-1303	459-5302		
		Cylinder Sleeve Assembly	226-1860	6	226-1860	6
		Connecting Rod Bearing	CB-1226P	6	CB-1226P	6
		Undersizes	P-10-20-30-40		P-10-20-30-40	
		Main Bearing Set	MS-1687P	1	MS-1687P	1
		Undersizes	P-10-20-30		P-10-20-30	
		Engine Cylinder Head Gasket Set	HS5858-3	1	HS5858-3	1
	Engine Conversion Gasket Set / Engine Oil Pan Gasket Set	CS5858-13	1	OS21996	1	
8.195	Big Cam Connecting Rod Bearings Premium Sleeve Assembly With 0.020"/0.040" Oversized Lower Press Fit Sleeves OE Rod Bearing Number(s) 214950 OE Main Bearing Number(s) 3801260	Kit Number	459-1305	459-5302		
		Cylinder Sleeve Assembly	226-1860	6	226-1860	6
		Connecting Rod Bearing	CB-1226P	6	CB-1226P	6
		Undersizes	P-10-20-30-40		P-10-20-30-40	
		Main Bearing Set	MS-1687P	1	MS-1687P	1
		Undersizes	P-10-20-30		P-10-20-30	
		Engine Cylinder Head Gasket Set	HS5858-3	1	HS5858-3	1
	Engine Conversion Gasket Set / Engine Oil Pan Gasket Set	CS5858-5	1	OS21996	1	

LINE #	NOTES	PART DESCRIPTION	OVERHAUL	QTY	IN-FRAME	QTY
8 (cont.)	5.5000" 855 CID (14.0L) 6 Cyl ; Turbocharged-Aftercooled NT Series					8 (cont.)
8.196	Small Cam Connecting Rod Bearings Premium Sleeve Assembly With 0.020"/0.040" Oversized Lower Press Fit Sleeves OE Rod Bearing Number(s) 203660 OE Main Bearing Number(s) 3801260	Kit Number	459-1304	459-5304		
		Cylinder Sleeve Assembly	226-1860	6	226-1860	6
		Connecting Rod Bearing	CB-625P	6	CB-625P	6
		Undersizes	P-10-20-30		P-10-20-30	
		Main Bearing Set	MS-1687P	1	MS-1687P	1
		Undersizes	P-10-20-30		P-10-20-30	
		Engine Cylinder Head Gasket Set / In-frame Overhaul Set	HS5858-3	1	EK3518-1	1
		Engine Conversion Gasket Set	CS5858-13	1		
8.197	Big Cam Connecting Rod Bearings Premium Sleeve Assembly With 0.020"/0.040" Oversized Lower Press Fit Sleeves OE Rod Bearing Number(s) 214950 OE Main Bearing Number(s) 3801260	Kit Number	459-1306	459-5306		
		Cylinder Sleeve Assembly	226-1862	6	226-1862	6
		Connecting Rod Bearing	CB-1226P	6	CB-1226P	6
		Undersizes	P-10-20-30-40		P-10-20-30-40	
		Main Bearing Set	MS-1687P	1	MS-1687P	1
		Undersizes	P-10-20-30		P-10-20-30	
		Engine Cylinder Head Gasket Set / In-frame Overhaul Set	HS5858-3	1	EK3518-1	1
		Engine Conversion Gasket Set	CS5858-4	1		
8.198	Big Cam Connecting Rod Bearings Premium Sleeve Assembly With 0.020"/0.040" Oversized Lower Press Fit Sleeves OE Rod Bearing Number(s) 214950 OE Main Bearing Number(s) 3801260	Kit Number	459-1307	459-5306		
		Cylinder Sleeve Assembly	226-1862	6	226-1862	6
		Connecting Rod Bearing	CB-1226P	6	CB-1226P	6
		Undersizes	P-10-20-30-40		P-10-20-30-40	
		Main Bearing Set	MS-1687P	1	MS-1687P	1
		Undersizes	P-10-20-30		P-10-20-30	
		Engine Cylinder Head Gasket Set / In-frame Overhaul Set	HS5858-3	1	EK3518-1	1
		Engine Conversion Gasket Set	CS5858-5	1		
8.199	Big Cam Connecting Rod Bearings Premium Sleeve Assembly With 0.020"/0.040" Oversized Lower Press Fit Sleeves OE Rod Bearing Number(s) 214950 OE Main Bearing Number(s) 3801260	Kit Number	459-1308	459-5306		
		Cylinder Sleeve Assembly	226-1862	6	226-1862	6
		Connecting Rod Bearing	CB-1226P	6	CB-1226P	6
		Undersizes	P-10-20-30-40		P-10-20-30-40	
		Main Bearing Set	MS-1687P	1	MS-1687P	1
		Undersizes	P-10-20-30		P-10-20-30	
		Engine Cylinder Head Gasket Set / In-frame Overhaul Set	HS5858-3	1	EK3518-1	1
		Engine Conversion Gasket Set	CS5858-2	1		
8.200	Big Cam Connecting Rod Bearings Premium Sleeve Assembly With 0.020"/0.040" Oversized Lower Press Fit Sleeves OE Rod Bearing Number(s) 214950 OE Main Bearing Number(s) 3801260	Kit Number	459-1398	459-5306		
		Cylinder Sleeve Assembly	226-1862	6	226-1862	6
		Connecting Rod Bearing	CB-1226P	6	CB-1226P	6
		Undersizes	P-10-20-30-40		P-10-20-30-40	
		Main Bearing Set	MS-1687P	1	MS-1687P	1
		Undersizes	P-10-20-30		P-10-20-30	
		Engine Cylinder Head Gasket Set / In-frame Overhaul Set	HS5858-3	1	EK3518-1	1
		Engine Conversion Gasket Set	CS5858-13	1		

LINE #	NOTES	PART DESCRIPTION	OVERHAUL	QTY	IN-FRAME	QTY
8 (cont.)	5.5000" 855 CID (14.0L) 6 Cyl ; Turbocharged-Aftercooled NT Series					8 (cont.)
8.201	Big Cam Connecting Rod Bearings Premium Sleeve Assembly With 0.020"/0.040" Oversized Lower Press Fit Sleeves OE Rod Bearing Number(s) 214950 OE Main Bearing Number(s) 3801260	Kit Number	459-1309	459-5309		
		Cylinder Sleeve Assembly	226-1862	6	226-1862	6
		Connecting Rod Bearing	CB-1226P	6	CB-1226P	6
		Undersizes	P-10-20-30-40		P-10-20-30-40	
		Main Bearing Set	MS-1687P	1	MS-1687P	1
		Undersizes	P-10-20-30		P-10-20-30	
		Engine Cylinder Head Gasket Set / In-frame Overhaul Set	HS5858-16	1	EK3520-1	1
		Engine Conversion Gasket Set	CS5858-6	1		
8.202	Small Cam Connecting Rod Bearings Premium Sleeve Assembly With 0.020"/0.040" Oversized Lower Press Fit Sleeves OE Rod Bearing Number(s) 203660 OE Main Bearing Number(s) 3801260	Kit Number	459-1310	459-5310		
		Cylinder Sleeve Assembly	226-1862	6	226-1862	6
		Connecting Rod Bearing	CB-625P	6	CB-625P	6
		Undersizes	P-10-20-30		P-10-20-30	
		Main Bearing Set	MS-1687P	1	MS-1687P	1
		Undersizes	P-10-20-30		P-10-20-30	
		Engine Cylinder Head Gasket Set / In-frame Overhaul Set	HS5858-3	1	EK3518-1	1
		Engine Conversion Gasket Set	CS5858-13	1		
8.203	Small Cam Connecting Rod Bearings Premium Sleeve Assembly With 0.020"/0.040" Oversized Lower Press Fit Sleeves OE Rod Bearing Number(s) 203660 OE Main Bearing Number(s) 3801260	Kit Number	459-1311	459-5310		
		Cylinder Sleeve Assembly	226-1862	6	226-1862	6
		Connecting Rod Bearing	CB-625P	6	CB-625P	6
		Undersizes	P-10-20-30		P-10-20-30	
		Main Bearing Set	MS-1687P	1	MS-1687P	1
		Undersizes	P-10-20-30		P-10-20-30	
		Engine Cylinder Head Gasket Set / In-frame Overhaul Set	HS5858-3	1	EK3518-1	1
		Engine Conversion Gasket Set	CS5858-2	1		
8.204	Big Cam Connecting Rod Bearings Premium Plus Sleeve Assembly With 0.020"/0.040" Oversized Lower Press Fit Sleeves OE Rod Bearing Number(s) 214950 OE Main Bearing Number(s) 3801260	Kit Number	459-1329	459-5329		
		Cylinder Sleeve Assembly	226-1873	6	226-1873	6
		Connecting Rod Bearing	CB-1226P	6	CB-1226P	6
		Undersizes	P-10-20-30-40		P-10-20-30-40	
		Main Bearing Set	MS-1687P	1	MS-1687P	1
		Undersizes	P-10-20-30		P-10-20-30	
		Engine Cylinder Head Gasket Set / In-frame Overhaul Set	HS5858-3	1	EK3518-1	1
		Engine Conversion Gasket Set	CS5858-4	1		
8.205	Big Cam Connecting Rod Bearings Premium Plus Sleeve Assembly With 0.020"/0.040" Oversized Lower Press Fit Sleeves OE Rod Bearing Number(s) 214950 OE Main Bearing Number(s) 3801260	Kit Number	459-1330	459-5329		
		Cylinder Sleeve Assembly	226-1873	6	226-1873	6
		Connecting Rod Bearing	CB-1226P	6	CB-1226P	6
		Undersizes	P-10-20-30-40		P-10-20-30-40	
		Main Bearing Set	MS-1687P	1	MS-1687P	1
		Undersizes	P-10-20-30		P-10-20-30	
		Engine Cylinder Head Gasket Set / In-frame Overhaul Set	HS5858-3	1	EK3518-1	1
		Engine Conversion Gasket Set	CS5858-13	1		

LINE #	NOTES	PART DESCRIPTION	OVERHAUL	QTY	IN-FRAME	QTY
8 (cont.)	5.5000" 855 CID (14.0L) 6 Cyl ; Turbocharged-Aftercooled NT Series					8 (cont.)
8.206	Big Cam Connecting Rod Bearings Premium Plus Sleeve Assembly With 0.020"/0.040" Oversized Lower Press Fit Sleeves OE Rod Bearing Number(s) 214950 OE Main Bearing Number(s) 3801260	Kit Number	459-1331	459-5329		
		Cylinder Sleeve Assembly	226-1873	6	226-1873	6
		Connecting Rod Bearing	CB-1226P	6	CB-1226P	6
		Undersizes	P-10-20-30-40		P-10-20-30-40	
		Main Bearing Set	MS-1687P	1	MS-1687P	1
		Undersizes	P-10-20-30		P-10-20-30	
		Engine Cylinder Head Gasket Set / In-frame Overhaul Set	HS5858-3	1	EK3518-1	1
		Engine Conversion Gasket Set	CS5858-5	1		
8.207	Big Cam Connecting Rod Bearings Premium Plus Sleeve Assembly With 0.020"/0.040" Oversized Lower Press Fit Sleeves OE Rod Bearing Number(s) 214950 OE Main Bearing Number(s) 3801260	Kit Number	459-1332	459-5329		
		Cylinder Sleeve Assembly	226-1873	6	226-1873	6
		Connecting Rod Bearing	CB-1226P	6	CB-1226P	6
		Undersizes	P-10-20-30-40		P-10-20-30-40	
		Main Bearing Set	MS-1687P	1	MS-1687P	1
		Undersizes	P-10-20-30		P-10-20-30	
		Engine Cylinder Head Gasket Set / In-frame Overhaul Set	HS5858-3	1	EK3518-1	1
		Engine Conversion Gasket Set	CS5858-2	1		
8.208	Big Cam Connecting Rod Bearings Premium Plus Sleeve Assembly With 0.020"/0.040" Oversized Lower Press Fit Sleeves OE Rod Bearing Number(s) 214950 OE Main Bearing Number(s) 3801260	Kit Number	459-1333	459-5333		
		Cylinder Sleeve Assembly	226-1873	6	226-1873	6
		Connecting Rod Bearing	CB-1226P	6	CB-1226P	6
		Undersizes	P-10-20-30-40		P-10-20-30-40	
		Main Bearing Set	MS-1687P	1	MS-1687P	1
		Undersizes	P-10-20-30		P-10-20-30	
		Engine Cylinder Head Gasket Set / In-frame Overhaul Set	HS5858-16	1	EK3520-1	1
		Engine Conversion Gasket Set	CS5858-6	1		
8.209	Small Cam Connecting Rod Bearings Premium Plus Sleeve Assembly With 0.020"/0.040" Oversized Lower Press Fit Sleeves OE Rod Bearing Number(s) 203660 OE Main Bearing Number(s) 3801260	Kit Number	459-1334	459-5334		
		Cylinder Sleeve Assembly	226-1873	6	226-1873	6
		Connecting Rod Bearing	CB-625P	6	CB-625P	6
		Undersizes	P-10-20-30		P-10-20-30	
		Main Bearing Set	MS-1687P	1	MS-1687P	1
		Undersizes	P-10-20-30		P-10-20-30	
		Engine Cylinder Head Gasket Set / In-frame Overhaul Set	HS5858-3	1	EK3518-1	1
		Engine Conversion Gasket Set	CS5858-13	1		
8.210	Small Cam Connecting Rod Bearings Premium Plus Sleeve Assembly With 0.020"/0.040" Oversized Lower Press Fit Sleeves OE Rod Bearing Number(s) 203660 OE Main Bearing Number(s) 3801260	Kit Number	459-1335	459-5334		
		Cylinder Sleeve Assembly	226-1873	6	226-1873	6
		Connecting Rod Bearing	CB-625P	6	CB-625P	6
		Undersizes	P-10-20-30		P-10-20-30	
		Main Bearing Set	MS-1687P	1	MS-1687P	1
		Undersizes	P-10-20-30		P-10-20-30	
		Engine Cylinder Head Gasket Set / In-frame Overhaul Set	HS5858-3	1	EK3518-1	1
		Engine Conversion Gasket Set	CS5858-2	1		

LINE #	NOTES	PART DESCRIPTION	OVERHAUL	QTY	IN-FRAME	QTY
8 (cont.)	5.5000" 855 CID (14.0L) 6 Cyl ; Turbocharged-Aftercooled NT Series					8 (cont.)
8.211	Big Cam Connecting Rod Bearings Premium Sleeve Assembly With 0.020"/0.040" Oversized Lower Press Fit Sleeves OE Rod Bearing Number(s) 214950 OE Main Bearing Number(s) 3801260	Kit Number	459-1344	459-5342		
		Cylinder Sleeve Assembly	226-1883	6	226-1883	6
		Connecting Rod Bearing	CB-1226P	6	CB-1226P	6
		Undersizes	P-10-20-30-40		P-10-20-30-40	
		Main Bearing Set	MS-1687P	1	MS-1687P	1
		Undersizes	P-10-20-30		P-10-20-30	
		Engine Cylinder Head Gasket Set / In-frame Overhaul Set	HS5858-3	1	EK3518-1	1
		Engine Conversion Gasket Set	CS5858-4	1		
8.212	Big Cam Connecting Rod Bearings Premium Sleeve Assembly With 0.020"/0.040" Oversized Lower Press Fit Sleeves OE Rod Bearing Number(s) 214950 OE Main Bearing Number(s) 3801260	Kit Number	459-1345	459-5342		
		Cylinder Sleeve Assembly	226-1883	6	226-1883	6
		Connecting Rod Bearing	CB-1226P	6	CB-1226P	6
		Undersizes	P-10-20-30-40		P-10-20-30-40	
		Main Bearing Set	MS-1687P	1	MS-1687P	1
		Undersizes	P-10-20-30		P-10-20-30	
		Engine Cylinder Head Gasket Set / In-frame Overhaul Set	HS5858-3	1	EK3518-1	1
		Engine Conversion Gasket Set	CS5858-5	1		
8.213	Big Cam Connecting Rod Bearings Premium Sleeve Assembly With 0.020"/0.040" Oversized Lower Press Fit Sleeves OE Rod Bearing Number(s) 214950 OE Main Bearing Number(s) 3801260	Kit Number	459-1346	459-5342		
		Cylinder Sleeve Assembly	226-1883	6	226-1883	6
		Connecting Rod Bearing	CB-1226P	6	CB-1226P	6
		Undersizes	P-10-20-30-40		P-10-20-30-40	
		Main Bearing Set	MS-1687P	1	MS-1687P	1
		Undersizes	P-10-20-30		P-10-20-30	
		Engine Cylinder Head Gasket Set / In-frame Overhaul Set	HS5858-3	1	EK3518-1	1
		Engine Conversion Gasket Set	CS5858-2	1		
8.214	Big Cam Connecting Rod Bearings Premium Sleeve Assembly With 0.020"/0.040" Oversized Lower Press Fit Sleeves OE Rod Bearing Number(s) 214950 OE Main Bearing Number(s) 3801260	Kit Number	459-1449	459-5342		
		Cylinder Sleeve Assembly	226-1883	6	226-1883	6
		Connecting Rod Bearing	CB-1226P	6	CB-1226P	6
		Undersizes	P-10-20-30-40		P-10-20-30-40	
		Main Bearing Set	MS-1687P	1	MS-1687P	1
		Undersizes	P-10-20-30		P-10-20-30	
		Engine Cylinder Head Gasket Set / In-frame Overhaul Set	HS5858-3	1	EK3518-1	1
		Engine Conversion Gasket Set	CS5858-13	1		
8.215	Small Cam Connecting Rod Bearings Premium Sleeve Assembly With 0.020"/0.040" Oversized Lower Press Fit Sleeves OE Rod Bearing Number(s) 203660 OE Main Bearing Number(s) 3801260	Kit Number	459-1348	459-5348		
		Cylinder Sleeve Assembly	226-1883	6	226-1883	6
		Connecting Rod Bearing	CB-625P	6	CB-625P	6
		Undersizes	P-10-20-30		P-10-20-30	
		Main Bearing Set	MS-1687P	1	MS-1687P	1
		Undersizes	P-10-20-30		P-10-20-30	
		Engine Cylinder Head Gasket Set / In-frame Overhaul Set	HS5858-3	1	EK3518-1	1
		Engine Conversion Gasket Set	CS5858-4	1		

LINE #	NOTES	PART DESCRIPTION	OVERHAUL	QTY	IN-FRAME	QTY
8 (cont.)	5.5000" 855 CID (14.0L) 6 Cyl ; Turbocharged-Aftercooled NT Series					8 (cont.)
8.216	Small Cam Connecting Rod Bearings Premium Sleeve Assembly With 0.020"/0.040" Oversized Lower Press Fit Sleeves OE Rod Bearing Number(s) 203660 OE Main Bearing Number(s) 3801260	Kit Number	459-1349	459-5348		
		Cylinder Sleeve Assembly	226-1883	6	226-1883	6
		Connecting Rod Bearing	CB-625P	6	CB-625P	6
		Undersizes	P-10-20-30		P-10-20-30	
		Main Bearing Set	MS-1687P	1	MS-1687P	1
		Undersizes	P-10-20-30		P-10-20-30	
		Engine Cylinder Head Gasket Set / In-frame Overhaul Set	HS5858-3	1	EK3518-1	1
		Engine Conversion Gasket Set	CS5858-2	1		
8.217	Big Cam Connecting Rod Bearings Premium Sleeve Assembly With 0.020"/0.040" Oversized Lower Press Fit Sleeves OE Rod Bearing Number(s) 214950 OE Main Bearing Number(s) 3801260	Kit Number	459-1350	459-5350		
		Cylinder Sleeve Assembly	226-1884	6	226-1884	6
		Connecting Rod Bearing	CB-1226P	6	CB-1226P	6
		Undersizes	P-10-20-30-40		P-10-20-30-40	
		Main Bearing Set	MS-1687P	1	MS-1687P	1
		Undersizes	P-10-20-30		P-10-20-30	
		Engine Cylinder Head Gasket Set / In-frame Overhaul Set	HS5858-3	1	EK3518-1	1
		Engine Conversion Gasket Set	CS5858-13	1		
8.218	Big Cam Connecting Rod Bearings Premium Sleeve Assembly With 0.020"/0.040" Oversized Lower Press Fit Sleeves OE Rod Bearing Number(s) 214950 OE Main Bearing Number(s) 3801260	Kit Number	459-1351	459-5351		
		Cylinder Sleeve Assembly	226-1884	6	226-1884	6
		Connecting Rod Bearing	CB-1226P	6	CB-1226P	6
		Undersizes	P-10-20-30-40		P-10-20-30-40	
		Main Bearing Set	MS-1687P	1	MS-1687P	1
		Undersizes	P-10-20-30		P-10-20-30	
		Engine Cylinder Head Gasket Set / In-frame Overhaul Set	HS5858-3	1	EK3518-1	1
		Engine Conversion Gasket Set	CS5858-4	1		
8.219	Big Cam Connecting Rod Bearings Premium Sleeve Assembly With 0.020"/0.040" Oversized Lower Press Fit Sleeves OE Rod Bearing Number(s) 214950 OE Main Bearing Number(s) 3801260	Kit Number	459-1353	459-5351		
		Cylinder Sleeve Assembly	226-1884	6	226-1884	6
		Connecting Rod Bearing	CB-1226P	6	CB-1226P	6
		Undersizes	P-10-20-30-40		P-10-20-30-40	
		Main Bearing Set	MS-1687P	1	MS-1687P	1
		Undersizes	P-10-20-30		P-10-20-30	
		Engine Cylinder Head Gasket Set / In-frame Overhaul Set	HS5858-3	1	EK3518-1	1
		Engine Conversion Gasket Set	CS5858-13	1		
8.220	Big Cam Connecting Rod Bearings Premium Sleeve Assembly With 0.020"/0.040" Oversized Lower Press Fit Sleeves OE Rod Bearing Number(s) 214950 OE Main Bearing Number(s) 3801260	Kit Number	459-1354	459-5351		
		Cylinder Sleeve Assembly	226-1884	6	226-1884	6
		Connecting Rod Bearing	CB-1226P	6	CB-1226P	6
		Undersizes	P-10-20-30-40		P-10-20-30-40	
		Main Bearing Set	MS-1687P	1	MS-1687P	1
		Undersizes	P-10-20-30		P-10-20-30	
		Engine Cylinder Head Gasket Set / In-frame Overhaul Set	HS5858-3	1	EK3518-1	1
		Engine Conversion Gasket Set	CS5858-5	1		

LINE #	NOTES	PART DESCRIPTION	OVERHAUL	QTY	IN-FRAME	QTY
8 (cont.)	5.5000" 855 CID (14.0L) 6 Cyl ; Turbocharged-Aftercooled NT Series					8 (cont.)
8.221	Big Cam Connecting Rod Bearings Premium Sleeve Assembly With 0.020"/0.040" Oversized Lower Press Fit Sleeves OE Rod Bearing Number(s) 214950 OE Main Bearing Number(s) 3801260	Kit Number	459-1355	459-5351		
		Cylinder Sleeve Assembly	226-1884	6	226-1884	6
		Connecting Rod Bearing	CB-1226P	6	CB-1226P	6
		Undersizes	P-10-20-30-40		P-10-20-30-40	
		Main Bearing Set	MS-1687P	1	MS-1687P	1
		Undersizes	P-10-20-30		P-10-20-30	
		Engine Cylinder Head Gasket Set / In-frame Overhaul Set	HS5858-3	1	EK3518-1	1
		Engine Conversion Gasket Set	CS5858-2	1		
8.222	Small Cam Connecting Rod Bearings Premium Sleeve Assembly With 0.020"/0.040" Oversized Lower Press Fit Sleeves OE Rod Bearing Number(s) 203660 OE Main Bearing Number(s) 3801260	Kit Number	459-1357	459-5357		
		Cylinder Sleeve Assembly	226-1884	6	226-1884	6
		Connecting Rod Bearing	CB-625P	6	CB-625P	6
		Undersizes	P-10-20-30		P-10-20-30	
		Main Bearing Set	MS-1687P	1	MS-1687P	1
		Undersizes	P-10-20-30		P-10-20-30	
		Engine Cylinder Head Gasket Set / In-frame Overhaul Set	HS5858-3	1	EK3518-1	1
		Engine Conversion Gasket Set	CS5858-4	1		
8.223	Small Cam Connecting Rod Bearings Premium Sleeve Assembly With 0.020"/0.040" Oversized Lower Press Fit Sleeves OE Rod Bearing Number(s) 203660 OE Main Bearing Number(s) 3801260	Kit Number	459-1358	459-5357		
		Cylinder Sleeve Assembly	226-1884	6	226-1884	6
		Connecting Rod Bearing	CB-625P	6	CB-625P	6
		Undersizes	P-10-20-30		P-10-20-30	
		Main Bearing Set	MS-1687P	1	MS-1687P	1
		Undersizes	P-10-20-30		P-10-20-30	
		Engine Cylinder Head Gasket Set / In-frame Overhaul Set	HS5858-3	1	EK3518-1	1
		Engine Conversion Gasket Set	CS5858-13	1		
8.224	Small Cam Connecting Rod Bearings Premium Sleeve Assembly With 0.020"/0.040" Oversized Lower Press Fit Sleeves OE Rod Bearing Number(s) 203660 OE Main Bearing Number(s) 3801260	Kit Number	459-1359	459-5357		
		Cylinder Sleeve Assembly	226-1884	6	226-1884	6
		Connecting Rod Bearing	CB-625P	6	CB-625P	6
		Undersizes	P-10-20-30		P-10-20-30	
		Main Bearing Set	MS-1687P	1	MS-1687P	1
		Undersizes	P-10-20-30		P-10-20-30	
		Engine Cylinder Head Gasket Set / In-frame Overhaul Set	HS5858-3	1	EK3518-1	1
		Engine Conversion Gasket Set	CS5858-2	1		
8.225	Small Cam Connecting Rod Bearings C3 Premium Plus Sleeve Assembly With Standard Size Sleeves OE Rod Bearing Number(s) 203660 OE Main Bearing Number(s) 3801260	Kit Number	459-1365	459-5365		
		Cylinder Sleeve Assembly	226-1905	6	226-1905	6
		Connecting Rod Bearing	CB-625P	6	CB-625P	6
		Undersizes	P-10-20-30		P-10-20-30	
		Main Bearing Set	MS-1687P	1	MS-1687P	1
		Undersizes	P-10-20-30		P-10-20-30	
		Engine Cylinder Head Gasket Set / In-frame Overhaul Set	HS5858-3	1	EK3518-1	1
		Engine Conversion Gasket Set	CS5858-13	1		

LINE #	NOTES	PART DESCRIPTION	OVERHAUL	QTY	IN-FRAME	QTY
8 (cont.)	5.5000" 855 CID (14.0L) 6 Cyl ; Turbocharged-Aftercooled NT Series					8 (cont.)
8.226	Small Cam Connecting Rod Bearings C3 Premium Plus Sleeve Assembly With Standard Size Sleeves OE Rod Bearing Number(s) 203660 OE Main Bearing Number(s) 3801260	Kit Number	459-1366		459-5365	
		Cylinder Sleeve Assembly	226-1905	6	226-1905	6
		Connecting Rod Bearing	CB-625P	6	CB-625P	6
		Undersizes	P-10-20-30		P-10-20-30	
		Main Bearing Set	MS-1687P	1	MS-1687P	1
		Undersizes	P-10-20-30		P-10-20-30	
		Engine Cylinder Head Gasket Set / In-frame Overhaul Set	HS5858-3	1	EK3518-1	1
		Engine Conversion Gasket Set	CS5858-4	1		
8.227	Small Cam Connecting Rod Bearings C3 Premium Plus Sleeve Assembly With Standard Size Sleeves OE Rod Bearing Number(s) 203660 OE Main Bearing Number(s) 3801260	Kit Number	459-1367		459-5365	
		Cylinder Sleeve Assembly	226-1905	6	226-1905	6
		Connecting Rod Bearing	CB-625P	6	CB-625P	6
		Undersizes	P-10-20-30		P-10-20-30	
		Main Bearing Set	MS-1687P	1	MS-1687P	1
		Undersizes	P-10-20-30		P-10-20-30	
		Engine Cylinder Head Gasket Set / In-frame Overhaul Set	HS5858-3	1	EK3518-1	1
		Engine Conversion Gasket Set	CS5858-2	1		
8.228	Small Cam Connecting Rod Bearings C3 Premium Plus Sleeve Assembly With 0.020"/0.040" Oversized Lower Press Fit Sleeves OE Rod Bearing Number(s) 203660 OE Main Bearing Number(s) 3801260	Kit Number	459-1378		459-5378	
		Cylinder Sleeve Assembly	226-1907	6	226-1907	6
		Connecting Rod Bearing	CB-625P	6	CB-625P	6
		Undersizes	P-10-20-30		P-10-20-30	
		Main Bearing Set	MS-1687P	1	MS-1687P	1
		Undersizes	P-10-20-30		P-10-20-30	
		Engine Cylinder Head Gasket Set / In-frame Overhaul Set	HS5858-3	1	EK3518-1	1
		Engine Conversion Gasket Set	CS5858-13	1		
8.229	Small Cam Connecting Rod Bearings C3 Premium Plus Sleeve Assembly With 0.020"/0.040" Oversized Lower Press Fit Sleeves OE Rod Bearing Number(s) 203660 OE Main Bearing Number(s) 3801260	Kit Number	459-1379		459-5378	
		Cylinder Sleeve Assembly	226-1907	6	226-1907	6
		Connecting Rod Bearing	CB-625P	6	CB-625P	6
		Undersizes	P-10-20-30		P-10-20-30	
		Main Bearing Set	MS-1687P	1	MS-1687P	1
		Undersizes	P-10-20-30		P-10-20-30	
		Engine Cylinder Head Gasket Set / In-frame Overhaul Set	HS5858-3	1	EK3518-1	1
		Engine Conversion Gasket Set	CS5858-4	1		
8.230	Small Cam Connecting Rod Bearings C3 Premium Plus Sleeve Assembly With 0.020"/0.040" Oversized Lower Press Fit Sleeves OE Rod Bearing Number(s) 203660 OE Main Bearing Number(s) 3801260	Kit Number	459-1380		459-5378	
		Cylinder Sleeve Assembly	226-1907	6	226-1907	6
		Connecting Rod Bearing	CB-625P	6	CB-625P	6
		Undersizes	P-10-20-30		P-10-20-30	
		Main Bearing Set	MS-1687P	1	MS-1687P	1
		Undersizes	P-10-20-30		P-10-20-30	
		Engine Cylinder Head Gasket Set / In-frame Overhaul Set	HS5858-3	1	EK3518-1	1
		Engine Conversion Gasket Set	CS5858-2	1		

LINE #	NOTES	PART DESCRIPTION	OVERHAUL	QTY	IN-FRAME	QTY
9	5.5000" 855 CID (14.0L) 6 Cyl ; Turbocharged-Aftercooled N14 Series					9
9.1	All Pistons Are Dual Ni-Resist Type And Must Be Used In Full Sets Only Or Used In Replacing Existing Dual Ni-Resist Pistons With Standard Size Sleeves STC Engines OE Rod Bearing Number(s) 3055145 OE Main Bearing Number(s) 3801260	Kit Number	459-1187	459-5187		
		Cylinder Sleeve Assembly	226-1903	6	226-1903	6
		Connecting Rod Bearing	CB-1616P	6	CB-1616P	6
		Undersizes	P-10-20		P-10-20	
		Main Bearing Set	MS-1687P	1	MS-1687P	1
		Undersizes	P-10-20-30		P-10-20-30	
		Engine Cylinder Head Gasket Set	HS5858AH	1	HS5858AH	1
		Engine Conversion Gasket Set / Engine Oil Pan Gasket Set	CS54123-1	1	OS32201	1
9.2	All Pistons Are Dual Ni-Resist Type And Must Be Used In Full Sets Only Or Used In Replacing Existing Dual Ni-Resist Pistons With Standard Size Sleeves CELECT Engines OE Rod Bearing Number(s) 3055145 OE Main Bearing Number(s) 3801260	Kit Number	459-1188	459-5188		
		Cylinder Sleeve Assembly	226-1911	6	226-1911	6
		Connecting Rod Bearing	CB-1616P	6	CB-1616P	6
		Undersizes	P-10-20		P-10-20	
		Main Bearing Set	MS-1687P	1	MS-1687P	1
		Undersizes	P-10-20-30		P-10-20-30	
		Engine Cylinder Head Gasket Set	HS54123	1	HS54123	1
		Engine Conversion Gasket Set / Engine Oil Pan Gasket Set	CS54123-2	1	OS32201	1
9.3	Premium Plus Sleeve Assembly With Standard Size Sleeves STC Engines OE Rod Bearing Number(s) 3055145 OE Main Bearing Number(s) 3801260	Kit Number	459-1189	459-5189		
		Cylinder Sleeve Assembly	226-1903	6	226-1903	6
		Connecting Rod Bearing	CB-1616P	6	CB-1616P	6
		Undersizes	P-10-20		P-10-20	
		Main Bearing Set	MS-1687P	1	MS-1687P	1
		Undersizes	P-10-20-30		P-10-20-30	
		Engine Cylinder Head Gasket Set	HS5858AH	1	HS5858AH	1
		Engine Conversion Gasket Set / Engine Oil Pan Gasket Set	CS54123-1	1	OS32201	1
9.4	Contains Pistons With Dual Ni-Resist Inserts With 0.020"/0.040" Oversized Lower Press Fit Sleeves STC Engines OE Rod Bearing Number(s) 3055145 OE Main Bearing Number(s) 3801260	Kit Number	459-1381	459-5381		
		Cylinder Sleeve Assembly	226-1908	6	226-1908	6
		Connecting Rod Bearing	CB-1616P	6	CB-1616P	6
		Undersizes	P-10-20		P-10-20	
		Main Bearing Set	MS-1687P	1	MS-1687P	1
		Undersizes	P-10-20-30		P-10-20-30	
		Engine Cylinder Head Gasket Set	HS5858AH	1	HS5858AH	1
		Engine Conversion Gasket Set / Engine Oil Pan Gasket Set	CS54123-1	1	OS32201	1
9.5	Contains Pistons With Dual Ni-Resist Inserts With 0.020"/0.040" Oversized Lower Press Fit Sleeves CELECT Engines OE Rod Bearing Number(s) 3055145 OE Main Bearing Number(s) 3801260	Kit Number	459-1396	459-5396		
		Cylinder Sleeve Assembly	226-1912	6	226-1912	6
		Connecting Rod Bearing	CB-1616P	6	CB-1616P	6
		Undersizes	P-10-20		P-10-20	
		Main Bearing Set	MS-1687P	1	MS-1687P	1
		Undersizes	P-10-20-30		P-10-20-30	
		Engine Cylinder Head Gasket Set	HS54123	1	HS54123	1
		Engine Conversion Gasket Set / Engine Oil Pan Gasket Set	CS54123-2	1	OS32201	1

LINE #	NOTES	PART DESCRIPTION	OVERHAUL	QTY	IN-FRAME	QTY
9 (cont.)	5.5000" 855 CID (14.0L) 6 Cyl ; Turbocharged-Aftercooled N14 Series					9 (cont.)
9.6	Contains Pistons With Dual Ni-Resist Inserts With 0.020"/0.040" Oversized Lower Press Fit Sleeves STC Engines OE Rod Bearing Number(s) 3055145 OE Main Bearing Number(s) 3801260	Kit Number	459-1397		459-5397	
		Cylinder Sleeve Assembly	226-1914	6	226-1914	6
		Connecting Rod Bearing	CB-1616P	6	CB-1616P	6
		Undersizes	P-10-20		P-10-20	
		Main Bearing Set	MS-1687P	1	MS-1687P	1
		Undersizes	P-10-20-30		P-10-20-30	
		Engine Cylinder Head Gasket Set	HS5858AH	1	HS5858AH	1
		Engine Conversion Gasket Set / Engine Oil Pan Gasket Set	CS54123-1	1	OS32201	1
9.7	Select Large Shaft Accessory Drive OE Rod Bearing Number(s) 3055145 OE Main Bearing Number(s) 3801260	Kit Number	459-1467		459-5441	
		Cylinder Sleeve Assembly	226-2041	6	226-2041	6
		Connecting Rod Bearing	CB-1616P	6	CB-1616P	6
		Undersizes	P-10-20		P-10-20	
		Main Bearing Set	MS-1687P	1	MS-1687P	1
		Undersizes	P-10-20-30		P-10-20-30	
		Engine Cylinder Head Gasket Set / In-frame Overhaul Set	HS54123	1	EK3539	1
		Engine Conversion Gasket Set	CS54123-2	1		
9.8	Select Small Shaft Accessory Drive OE Rod Bearing Number(s) 3055145 OE Main Bearing Number(s) 3801260	Kit Number	459-1468		459-5441	
		Cylinder Sleeve Assembly	226-2041	6	226-2041	6
		Connecting Rod Bearing	CB-1616P	6	CB-1616P	6
		Undersizes	P-10-20		P-10-20	
		Main Bearing Set	MS-1687P	1	MS-1687P	1
		Undersizes	P-10-20-30		P-10-20-30	
		Engine Cylinder Head Gasket Set / In-frame Overhaul Set	HS54123	1	EK3539	1
		Engine Conversion Gasket Set	CS54123-1	1		
9.9	STC Large Shaft Accessory Drive OE Rod Bearing Number(s) 3055145 OE Main Bearing Number(s) 3801260	Kit Number	459-1469		459-5441	
		Cylinder Sleeve Assembly	226-2041	6	226-2041	6
		Connecting Rod Bearing	CB-1616P	6	CB-1616P	6
		Undersizes	P-10-20		P-10-20	
		Main Bearing Set	MS-1687P	1	MS-1687P	1
		Undersizes	P-10-20-30		P-10-20-30	
		Engine Cylinder Head Gasket Set / In-frame Overhaul Set	HS5858AH	1	EK3539	1
		Engine Conversion Gasket Set	CS54123-2	1		
9.10	STC Small Shaft Accessory Drive OE Rod Bearing Number(s) 3055145 OE Main Bearing Number(s) 3801260	Kit Number	459-1470		459-5441	
		Cylinder Sleeve Assembly	226-2041	6	226-2041	6
		Connecting Rod Bearing	CB-1616P	6	CB-1616P	6
		Undersizes	P-10-20		P-10-20	
		Main Bearing Set	MS-1687P	1	MS-1687P	1
		Undersizes	P-10-20-30		P-10-20-30	
		Engine Cylinder Head Gasket Set / In-frame Overhaul Set	HS5858AH	1	EK3539	1
		Engine Conversion Gasket Set	CS54123-1	1		

LINE #	NOTES	PART DESCRIPTION	OVERHAUL	QTY	IN-FRAME	QTY
9 (cont.)	5.5000" 855 CID (14.0L) 6 Cyl ; Turbocharged-Aftercooled N14 Series					9 (cont.)
9.11	Celect With External Oil Lines Small Shaft Accessory Drive OE Rod Bearing Number(s) 3055145 OE Main Bearing Number(s) 3801260	Kit Number	459-1471	459-5441		
		Cylinder Sleeve Assembly	226-2041	6	226-2041	6
		Connecting Rod Bearing	CB-1616P	6	CB-1616P	6
		Undersizes	P-10-20		P-10-20	
		Main Bearing Set	MS-1687P	1	MS-1687P	1
		Undersizes	P-10-20-30		P-10-20-30	
		Engine Cylinder Head Gasket Set / In-frame Overhaul Set	HS54123-1	3	EK3539	1
		Engine Conversion Gasket Set	CS54123-1	1		
9.12	Celect With External Oil Lines Large Shaft Accessory Drive OE Rod Bearing Number(s) 3055145 OE Main Bearing Number(s) 3801260	Kit Number	459-1472	459-5441		
		Cylinder Sleeve Assembly	226-2041	6	226-2041	6
		Connecting Rod Bearing	CB-1616P	6	CB-1616P	6
		Undersizes	P-10-20		P-10-20	
		Main Bearing Set	MS-1687P	1	MS-1687P	1
		Undersizes	P-10-20-30		P-10-20-30	
		Engine Cylinder Head Gasket Set / In-frame Overhaul Set	HS54123-1	3	EK3539	1
		Engine Conversion Gasket Set	CS54123-2	1		
9.13	Celect Celect Plus Small Shaft Accessory Drive OE Rod Bearing Number(s) 3055145 OE Main Bearing Number(s) 3801260	Kit Number	459-1473	459-5441		
		Cylinder Sleeve Assembly	226-2041	6	226-2041	6
		Connecting Rod Bearing	CB-1616P	6	CB-1616P	6
		Undersizes	P-10-20		P-10-20	
		Main Bearing Set	MS-1687P	1	MS-1687P	1
		Undersizes	P-10-20-30		P-10-20-30	
		Engine Cylinder Head Gasket Set / In-frame Overhaul Set	HS54123-4	3	EK3539	1
		Engine Conversion Gasket Set	CS54123-1	1		
9.14	Celect Celect Plus Large Shaft Accessory Drive OE Rod Bearing Number(s) 3055145 OE Main Bearing Number(s) 3801260	Kit Number	459-1474	459-5441		
		Cylinder Sleeve Assembly	226-2041	6	226-2041	6
		Connecting Rod Bearing	CB-1616P	6	CB-1616P	6
		Undersizes	P-10-20		P-10-20	
		Main Bearing Set	MS-1687P	1	MS-1687P	1
		Undersizes	P-10-20-30		P-10-20-30	
		Engine Cylinder Head Gasket Set / In-frame Overhaul Set	HS54123-4	3	EK3539	1
		Engine Conversion Gasket Set	CS54123-2	1		
9.15	Celect Large Shaft Accessory Drive OE Rod Bearing Number(s) 3055145 OE Main Bearing Number(s) 3801260	Kit Number	459-1475	459-5442		
		Cylinder Sleeve Assembly	226-2040	6	226-2040	6
		Connecting Rod Bearing	CB-1616P	6	CB-1616P	6
		Undersizes	P-10-20		P-10-20	
		Main Bearing Set	MS-1687P	1	MS-1687P	1
		Undersizes	P-10-20-30		P-10-20-30	
		Engine Cylinder Head Gasket Set / In-frame Overhaul Set	HS54123	1	EK3539	1
		Engine Conversion Gasket Set	CS54123-2	1		

LINE #	NOTES	PART DESCRIPTION	OVERHAUL	QTY	IN-FRAME	QTY
9 (cont.)	5.5000" 855 CID (14.0L) 6 Cyl ; Turbocharged-Aftercooled N14 Series					9 (cont.)
9.16	Select Small Shaft Accessory Drive OE Rod Bearing Number(s) 3055145 OE Main Bearing Number(s) 3801260	Kit Number	459-1476		459-5442	
		Cylinder Sleeve Assembly	226-2040	6	226-2040	6
		Connecting Rod Bearing	CB-1616P	6	CB-1616P	6
		Undersizes	P-10-20		P-10-20	
		Main Bearing Set	MS-1687P	1	MS-1687P	1
		Undersizes	P-10-20-30		P-10-20-30	
		Engine Cylinder Head Gasket Set / In-frame Overhaul Set	HS54123	1	EK3539	1
		Engine Conversion Gasket Set	CS54123-1	1		
9.17	STC Large Shaft Accessory Drive OE Rod Bearing Number(s) 3055145 OE Main Bearing Number(s) 3801260	Kit Number	459-1477		459-5442	
		Cylinder Sleeve Assembly	226-2040	6	226-2040	6
		Connecting Rod Bearing	CB-1616P	6	CB-1616P	6
		Undersizes	P-10-20		P-10-20	
		Main Bearing Set	MS-1687P	1	MS-1687P	1
		Undersizes	P-10-20-30		P-10-20-30	
		Engine Cylinder Head Gasket Set / In-frame Overhaul Set	HS5858AH	1	EK3539	1
		Engine Conversion Gasket Set	CS54123-2	1		
9.18	STC Small Shaft Accessory Drive OE Rod Bearing Number(s) 3055145 OE Main Bearing Number(s) 3801260	Kit Number	459-1478		459-5442	
		Cylinder Sleeve Assembly	226-2040	6	226-2040	6
		Connecting Rod Bearing	CB-1616P	6	CB-1616P	6
		Undersizes	P-10-20		P-10-20	
		Main Bearing Set	MS-1687P	1	MS-1687P	1
		Undersizes	P-10-20-30		P-10-20-30	
		Engine Cylinder Head Gasket Set / In-frame Overhaul Set	HS5858AH	1	EK3539	1
		Engine Conversion Gasket Set	CS54123-1	1		
9.19	Select With External Oil Lines Small Shaft Accessory Drive OE Rod Bearing Number(s) 3055145 OE Main Bearing Number(s) 3801260	Kit Number	459-1479		459-5442	
		Cylinder Sleeve Assembly	226-2040	6	226-2040	6
		Connecting Rod Bearing	CB-1616P	6	CB-1616P	6
		Undersizes	P-10-20		P-10-20	
		Main Bearing Set	MS-1687P	1	MS-1687P	1
		Undersizes	P-10-20-30		P-10-20-30	
		Engine Cylinder Head Gasket Set / In-frame Overhaul Set	HS54123-1	3	EK3539	1
		Engine Conversion Gasket Set	CS54123-1	1		
9.20	Select With External Oil Lines Large Shaft Accessory Drive OE Rod Bearing Number(s) 3055145 OE Main Bearing Number(s) 3801260	Kit Number	459-1480		459-5442	
		Cylinder Sleeve Assembly	226-2040	6	226-2040	6
		Connecting Rod Bearing	CB-1616P	6	CB-1616P	6
		Undersizes	P-10-20		P-10-20	
		Main Bearing Set	MS-1687P	1	MS-1687P	1
		Undersizes	P-10-20-30		P-10-20-30	
		Engine Cylinder Head Gasket Set / In-frame Overhaul Set	HS54123-1	3	EK3539	1
		Engine Conversion Gasket Set	CS54123-2	1		

LINE #	NOTES	PART DESCRIPTION	OVERHAUL	QTY	IN-FRAME	QTY
9 (cont.)	5.5000" 855 CID (14.0L) 6 Cyl ; Turbocharged-Aftercooled N14 Series					9 (cont.)
9.21	Celect Celect Plus Small Shaft Accessory Drive OE Rod Bearing Number(s) 3055145 OE Main Bearing Number(s) 3801260	Kit Number	459-1481	459-5442		
		Cylinder Sleeve Assembly	226-2040	6	226-2040	6
		Connecting Rod Bearing	CB-1616P	6	CB-1616P	6
		Undersizes	P-10-20		P-10-20	
		Main Bearing Set	MS-1687P	1	MS-1687P	1
		Undersizes	P-10-20-30		P-10-20-30	
		Engine Cylinder Head Gasket Set / In-frame Overhaul Set	HS54123-4	3	EK3539	1
		Engine Conversion Gasket Set	CS54123-1	1		
9.22	Celect Celect Plus Large Shaft Accessory Drive OE Rod Bearing Number(s) 3055145 OE Main Bearing Number(s) 3801260	Kit Number	459-1482	459-5442		
		Cylinder Sleeve Assembly	226-2040	6	226-2040	6
		Connecting Rod Bearing	CB-1616P	6	CB-1616P	6
		Undersizes	P-10-20		P-10-20	
		Main Bearing Set	MS-1687P	1	MS-1687P	1
		Undersizes	P-10-20-30		P-10-20-30	
		Engine Cylinder Head Gasket Set / In-frame Overhaul Set	HS54123-4	3	EK3539	1
		Engine Conversion Gasket Set	CS54123-2	1		
9.23	Celect Large Shaft Accessory Drive OE Rod Bearing Number(s) 3055145 OE Main Bearing Number(s) 3801260	Kit Number	459-1483	459-5443		
		Cylinder Sleeve Assembly	226-2039	6	226-2039	6
		Connecting Rod Bearing	CB-1616P	6	CB-1616P	6
		Undersizes	P-10-20		P-10-20	
		Main Bearing Set	MS-1687P	1	MS-1687P	1
		Undersizes	P-10-20-30		P-10-20-30	
		Engine Cylinder Head Gasket Set / In-frame Overhaul Set	HS54123	1	EK3539	1
		Engine Conversion Gasket Set	CS54123-2	1		
9.24	Celect Small Shaft Accessory Drive OE Rod Bearing Number(s) 3055145 OE Main Bearing Number(s) 3801260	Kit Number	459-1484	459-5443		
		Cylinder Sleeve Assembly	226-2039	6	226-2039	6
		Connecting Rod Bearing	CB-1616P	6	CB-1616P	6
		Undersizes	P-10-20		P-10-20	
		Main Bearing Set	MS-1687P	1	MS-1687P	1
		Undersizes	P-10-20-30		P-10-20-30	
		Engine Cylinder Head Gasket Set / In-frame Overhaul Set	HS54123	1	EK3539	1
		Engine Conversion Gasket Set	CS54123-1	1		
9.25	STC Small Shaft Accessory Drive OE Rod Bearing Number(s) 3055145 OE Main Bearing Number(s) 3801260	Kit Number	459-1485	459-5443		
		Cylinder Sleeve Assembly	226-2039	6	226-2039	6
		Connecting Rod Bearing	CB-1616P	6	CB-1616P	6
		Undersizes	P-10-20		P-10-20	
		Main Bearing Set	MS-1687P	1	MS-1687P	1
		Undersizes	P-10-20-30		P-10-20-30	
		Engine Cylinder Head Gasket Set / In-frame Overhaul Set	HS5858AH	1	EK3539	1
		Engine Conversion Gasket Set	CS54123-2	1		

LINE #	NOTES	PART DESCRIPTION	OVERHAUL	QTY	IN-FRAME	QTY
9 (cont.)	5.5000" 855 CID (14.0L) 6 Cyl ; Turbocharged-Aftercooled N14 Series					9 (cont.)
9.26	STC Small Shaft Accessory Drive OE Rod Bearing Number(s) 3055145 OE Main Bearing Number(s) 3801260	Kit Number	459-1486		459-5443	
		Cylinder Sleeve Assembly	226-2039	6	226-2039	6
		Connecting Rod Bearing	CB-1616P	6	CB-1616P	6
		Undersizes	P-10-20		P-10-20	
		Main Bearing Set	MS-1687P	1	MS-1687P	1
		Undersizes	P-10-20-30		P-10-20-30	
		Engine Cylinder Head Gasket Set / In-frame Overhaul Set	HS5858AH	1	EK3539	1
		Engine Conversion Gasket Set	CS54123-1	1		
9.27	Select With External Oil Lines Small Shaft Accessory Drive OE Rod Bearing Number(s) 3055145 OE Main Bearing Number(s) 3801260	Kit Number	459-1487		459-5443	
		Cylinder Sleeve Assembly	226-2039	6	226-2039	6
		Connecting Rod Bearing	CB-1616P	6	CB-1616P	6
		Undersizes	P-10-20		P-10-20	
		Main Bearing Set	MS-1687P	1	MS-1687P	1
		Undersizes	P-10-20-30		P-10-20-30	
		Engine Cylinder Head Gasket Set / In-frame Overhaul Set	HS54123-1	3	EK3539	1
		Engine Conversion Gasket Set	CS54123-1	1		
9.28	Select With External Oil Lines Large Shaft Accessory Drive OE Rod Bearing Number(s) 3055145 OE Main Bearing Number(s) 3801260	Kit Number	459-1488		459-5443	
		Cylinder Sleeve Assembly	226-2039	6	226-2039	6
		Connecting Rod Bearing	CB-1616P	6	CB-1616P	6
		Undersizes	P-10-20		P-10-20	
		Main Bearing Set	MS-1687P	1	MS-1687P	1
		Undersizes	P-10-20-30		P-10-20-30	
		Engine Cylinder Head Gasket Set / In-frame Overhaul Set	HS54123-1	3	EK3539	1
		Engine Conversion Gasket Set	CS54123-2	1		
9.29	Select Select Plus Small Shaft Accessory Drive OE Rod Bearing Number(s) 3055145 OE Main Bearing Number(s) 3801260	Kit Number	459-1489		459-5443	
		Cylinder Sleeve Assembly	226-2039	6	226-2039	6
		Connecting Rod Bearing	CB-1616P	6	CB-1616P	6
		Undersizes	P-10-20		P-10-20	
		Main Bearing Set	MS-1687P	1	MS-1687P	1
		Undersizes	P-10-20-30		P-10-20-30	
		Engine Cylinder Head Gasket Set / In-frame Overhaul Set	HS54123-4	3	EK3539	1
		Engine Conversion Gasket Set	CS54123-1	1		
9.30	Select Select Plus Large Shaft Accessory Drive OE Rod Bearing Number(s) 3055145 OE Main Bearing Number(s) 3801260	Kit Number	459-1490		459-5443	
		Cylinder Sleeve Assembly	226-2039	6	226-2039	6
		Connecting Rod Bearing	CB-1616P	6	CB-1616P	6
		Undersizes	P-10-20		P-10-20	
		Main Bearing Set	MS-1687P	1	MS-1687P	1
		Undersizes	P-10-20-30		P-10-20-30	
		Engine Cylinder Head Gasket Set / In-frame Overhaul Set	HS54123-4	3	EK3539	1
		Engine Conversion Gasket Set	CS54123-2	1		

Part Type	Part No.	Block
CPL NO. 14		
Camshaft	229-1923	27
Camshaft	229-1923	28
Camshaft	229-1923	33
CPL NO. 16		
Camshaft	229-1923	27
Camshaft	229-1923	28
Camshaft	229-1923	33
CPL NO. 17		
Camshaft	229-1923	27
Camshaft	229-1923	28
Camshaft	229-1923	33
CPL NO. 18		
Camshaft	229-1923	27
Camshaft	229-1923	28
Camshaft	229-1923	33
CPL NO. 19		
Camshaft	229-1923	27
Camshaft	229-1923	28
Camshaft	229-1923	33
CPL NO. 24		
Camshaft	229-1923	27
Camshaft	229-1923	28
Camshaft	229-1923	33
CPL NO. 26		
Camshaft	229-1923	27
Camshaft	229-1923	28
Camshaft	229-1923	33
CPL NO. 102		
Camshaft	229-1923	27
Camshaft	229-1923	28
Camshaft	229-1923	33
CPL NO. 104		
Camshaft	229-1923	27
Camshaft	229-1923	28
Camshaft	229-1923	33
CPL NO. 117		
Camshaft	229-1923	27
Camshaft	229-1923	28
Camshaft	229-1923	33
CPL NO. 120		
Camshaft	229-1923	27
Camshaft	229-1923	28
Camshaft	229-1923	33
CPL NO. 121		
Camshaft	229-1923	27
Camshaft	229-1923	28
Camshaft	229-1923	33

Part Type	Part No.	Block
CPL NO. 162		
Camshaft	229-1923	27
Camshaft	229-1923	28
Camshaft	229-1923	33
CPL NO. 163		
Camshaft	229-1923	27
Camshaft	229-1923	28
Camshaft	229-1923	33
CPL NO. 164		
Camshaft	229-1923	27
Camshaft	229-1923	28
Camshaft	229-1923	33
CPL NO. 170		
Camshaft	229-1923	27
Camshaft	229-1923	28
Camshaft	229-1923	33
CPL NO. 180		
Camshaft	229-1923	27
Camshaft	229-1923	28
Camshaft	229-1923	33
CPL NO. 200		
Camshaft	229-1923	27
Camshaft	229-1923	28
Camshaft	229-1923	33
CPL NO. 205		
Camshaft	229-1923	27
Camshaft	229-1923	28
Camshaft	229-1923	33
CPL NO. 249		
Camshaft	229-1923	27
Camshaft	229-1923	28
Camshaft	229-1923	33
CPL NO. 250		
Camshaft	229-1923	27
Camshaft	229-1923	28
Camshaft	229-1923	33
CPL NO. 255		
Camshaft	229-1923	27
Camshaft	229-1923	28
Camshaft	229-1923	33
CPL NO. 258		
Camshaft	229-1923	27
Camshaft	229-1923	28
Camshaft	229-1923	33
CPL NO. 271		
Camshaft	229-1923	27
Camshaft	229-1923	28
Camshaft	229-1923	33

Part Type	Part No.	Block
CPL NO. 277		
Camshaft	229-1923	27
Camshaft	229-1923	28
Camshaft	229-1923	33
CPL NO. 281		
Camshaft	229-1923	27
Camshaft	229-1923	28
Camshaft	229-1923	33
CPL NO. 312		
Camshaft	229-1923	27
Camshaft	229-1923	28
Camshaft	229-1923	33
CPL NO. 356		
Camshaft	229-1923	27
Camshaft	229-1923	28
Camshaft	229-1923	33
CPL NO. 357		
Camshaft	229-1923	27
Camshaft	229-1923	28
Camshaft	229-1923	33
CPL NO. 517		
Camshaft	229-1874	33
CPL NO. 538		
Camshaft	229-1874	33
CPL NO. 539		
Camshaft	229-1874	33
CPL NO. 540		
Camshaft	229-1874	33
CPL NO. 542		
Camshaft	229-1874	33
CPL NO. 544		
Camshaft	229-1923	27
Camshaft	229-1923	28
Camshaft	229-1923	33
CPL NO. 553		
Camshaft	229-1874	33
CPL NO. 554		
Camshaft	229-1874	33
CPL NO. 567		
Camshaft	229-1874	33
CPL NO. 573		
Camshaft	229-1874	33
CPL NO. 574		
Camshaft	229-1874	33
CPL NO. 575		
Camshaft	229-1874	33
CPL NO. 582		
Camshaft	229-1874	33

Part Type	Part No.	Block
CPL NO. 583		
Camshaft	229-1874	33
CPL NO. 585		
Camshaft	229-1874	33
CPL NO. 588		
Camshaft	229-1874	33
CPL NO. 591		
Camshaft	229-2430	4
CPL NO. 594		
Camshaft	229-2430	4
CPL NO. 606		
Camshaft	229-1874	33
CPL NO. 609		
Camshaft	229-1874	33
CPL NO. 611		
Camshaft	229-1874	33
CPL NO. 612		
Camshaft	229-1874	33
CPL NO. 642		
Camshaft	229-2233	33
CPL NO. 647		
Camshaft	229-2233	33
CPL NO. 650		
Camshaft	229-1874	33
CPL NO. 651		
Camshaft	229-2233	33
CPL NO. 657		
Camshaft	229-1874	33
CPL NO. 659		
Camshaft	229-2233	33
CPL NO. 670		
Camshaft	229-1874	33
CPL NO. 673		
Camshaft	229-1874	33
CPL NO. 674		
Camshaft	229-1874	33
CPL NO. 675		
Camshaft	229-1874	33
CPL NO. 676		
Camshaft	229-2233	33
CPL NO. 699		
Camshaft	229-1874	33
CPL NO. 700		
Camshaft	229-1874	33
CPL NO. 701		
Camshaft	229-1874	33
CPL NO. 706		
Camshaft	229-1874	33

Part Type	Part No.	Block
CPL NO. 709		
Camshaft	229-1923	27
Camshaft	229-1923	28
Camshaft	229-1923	33
CPL NO. 718		
Camshaft	229-1874	33
CPL NO. 721		
Camshaft	229-2430	4
CPL NO. 730		
Camshaft	229-2430	4
CPL NO. 731		
Camshaft	229-1874	33
CPL NO. 732		
Camshaft	229-1874	33
CPL NO. 733		
Camshaft	229-1874	33
CPL NO. 741		
Camshaft	229-2430	4
CPL NO. 743		
Camshaft	229-1874	33
CPL NO. 744		
Camshaft	229-1874	33
CPL NO. 745		
Camshaft	229-1874	33
CPL NO. 749		
Camshaft	229-1874	33
CPL NO. 796		
Camshaft	229-1874	33
CPL NO. 797		
Camshaft	229-1874	33
CPL NO. 811		
Camshaft	229-1874	33
CPL NO. 812		
Camshaft	229-1874	33
CPL NO. 813		
Camshaft	229-1874	33
CPL NO. 814		
Camshaft	229-2233	33
CPL NO. 832		
Camshaft	229-1874	33
CPL NO. 849		
Camshaft	229-1874	33
CPL NO. 891		
Camshaft	229-1874	33
CPL NO. 905		
Camshaft	229-1874	33
CPL NO. 907		
Camshaft	229-1874	33

Part Type	Part No.	Block
CPL NO. 909		
Camshaft	229-1874	33
CPL NO. 937		
Camshaft	229-2430	4
CPL NO. 963		
Camshaft	229-1874	33
CPL NO. 972		
Camshaft	229-1874	33
CPL NO. 974		
Camshaft	229-1874	33
CPL NO. 1144		
Camshaft	229-1874	33
CPL NO. 1171		
Camshaft	229-1874	33
CPL NO. 1194		
Camshaft	229-1874	33
CPL NO. 1204		
Camshaft	229-1874	33
CPL NO. 1205		
Camshaft	229-1874	33
CPL NO. 1259		
Camshaft	229-2430	4
CPL NO. 1268		
Camshaft	229-2430	4
CPL NO. 1277		
Camshaft	229-2430	4
CPL NO. 1312		
Camshaft	229-2430	4
CPL NO. 1381		
Camshaft	229-1874	33
CPL NO. 1382		
Camshaft	229-1874	33
CPL NO. 1397		
Camshaft	229-2430	4
CPL NO. 1409		
Camshaft	229-1874	33
CPL NO. 1410		
Camshaft	229-1874	33
CPL NO. 1411		
Camshaft	229-1874	33
CPL NO. 1415		
Camshaft	229-1874	33
CPL NO. 1416		
Camshaft	229-1874	33
CPL NO. 1417		
Camshaft	229-1874	33
CPL NO. 1418		
Camshaft	229-1874	33

Part Type	Part No.	Block
CPL NO. 1508		
Camshaft	229-2430	4
CPL NO. 1520		
Camshaft	229-2430	4
CPL NO. 1522		
Camshaft	229-2430	4
CPL NO. 1525		
Camshaft	229-2430	4
CPL NO. 1526		
Camshaft	229-2430	4
CPL NO. 1557		
Camshaft	229-1874	33
CPL NO. 1839		
Camshaft	229-2429	4
CPL NO. 1932		
Camshaft	229-2430	4
CPL NO. 1941		
Camshaft	229-2430	4
CPL NO. 1963		
Camshaft	229-2429	4
CPL NO. 1965		
Camshaft	229-2429	4
CPL NO. 1966		
Camshaft	229-2429	4
CPL NO. 1967		
Camshaft	229-2429	4
CPL NO. 2021		
Camshaft	229-2430	4
CPL NO. 2109		
Camshaft	229-2429	4
CPL NO. 2142		
Camshaft	229-2429	4
CPL NO. 2144		
Camshaft	229-2429	4
CPL NO. 2195		
Camshaft	229-2429	4
CPL NO. 2246		
Camshaft	229-2430	4
CPL NO. 2248		
Camshaft	229-2430	4
CPL NO. 2251		
Camshaft	229-2429	4
CPL NO. 2264		
Camshaft	229-2429	4
CPL NO. 2293		
Camshaft	229-2430	4
CPL NO. 2302		
Camshaft	229-2429	4

Part Type	Part No.	Block
CPL NO. 2304		
Camshaft	229-2429	4
CPL NO. 2340		
Camshaft	229-2430	4
CPL NO. 2351		
Camshaft	229-2429	4
CPL NO. 2359		
Camshaft	229-2429	4
CPL NO. 2361		
Camshaft	229-2430	4
CPL NO. 2374		
Camshaft	229-2430	4
CPL NO. 2377		
Camshaft	229-2430	4
CPL NO. 2396		
Camshaft	229-2429	4
CPL NO. 2414		
Camshaft	229-2430	4
CPL NO. 2478		
Camshaft	229-2429	4
CPL NO. 2486		
Camshaft	229-2430	4
CPL NO. 2521		
Camshaft	229-2429	4
CPL NO. 2528		
Camshaft	229-2429	4
CPL NO. 2567		
Camshaft	229-2430	4
CPL NO. 2599		
Camshaft	229-2430	4
CPL NO. 2601		
Camshaft	229-2430	4
CPL NO. 2623		
Camshaft	229-2429	4
CPL NO. 2808		
Camshaft	229-2429	4
CPL NO. 2881		
Camshaft	229-2429	4
CPL NO. 8064		
Camshaft	229-2429	4
CPL NO. 8100		
Camshaft	229-2430	4
CPL NO. 8204		
Camshaft	229-2431	4
CPL NO. 8263		
Camshaft	229-2431	4
CPL NO. 8275		
Camshaft	229-2430	4

Part Type	Part No.	Block
CPL NO. 8375		
Camshaft	229-2430	4
CPL NO. 8401		
Camshaft	229-2431	4
CPL NO. 8402		
Camshaft	229-2431	4
CPL NO. 8454		
Camshaft	229-2431	4
CPL NO. 8534		
Camshaft	229-2430	4
CPL NO. 8653		
Camshaft	229-2431	4
CPL NO. 8658		
Camshaft	229-2431	4
CPL NO. 8659		
Camshaft	229-2431	4
CPL NO. 8711		
Camshaft	229-2430	4
CPL NO. 41482		
Camshaft	229-2431	4
CPL NO. 41483		
Camshaft	229-2431	4
CPL NO. 41493		
Camshaft	229-2431	4
CPL NO. 42473		
Camshaft	229-2430	4
CPL NO. 42798		
Camshaft	229-2431	4

Model	Series	No. Cyls.	CID	Liter	Bore / Stroke	Line No.	Model	Series	No. Cyls.	CID	Liter	Bore / Stroke	Line No.
Air Compressor		1			3.6 /	1	6 B	6B	6	359	5.9	4 / 4.7	6
QSB		4	201	3.3	3.7 / 4.5	2	6-590	6B	6	359	5.9	4 / 4.7	6
4 BT-3.9 M	4B	4	239	3.9	4 / 4.7	4	6 BT		6	359	5.9	4 / 4.7	6
4 BT	4B	4	239	3.9	4 / 4.7	4	6 BTA 5.9	6B	6	359	5.9	4 / 4.7	6
4T-390	4B	4	239	3.9	4 / 4.7	4	BT5.9-CE	6B	6	359	5.9	4 / 4.7	6
4 BTA 3.9M	4B	4	239	3.9	4 / 4.7	4	BT5.9-195G	6B	6	359	5.9	4 / 4.7	6
4 BT 3.9M	4B	4	239	3.9	4 / 4.7	4	BT5.9-195G	6B	6	359	5.9	4 / 4.7	7
4 BTA	4B	4	239	3.9	4 / 4.7	4	G6B5.9		6	359	5.9	4 / 4.7	7
4 B3.9M	4B	4	239	3.9	4 / 4.7	4	V6-155	Small V	6	378	6.2	4.6 / 3.8	16
4B	4B	4	239	3.9	4 / 4.7	4	V378	Small V	6	378	6.2	4.6 / 3.8	16
4 BT 3.9	4B	4	239	3.9	4 / 4.7	4	ISB 200	ISB	6	408	6.7	4.2 / 4.1	9
4 BTA 3.9	4B	4	239	3.9	4 / 4.7	4	ETJ	ISB	6	408	6.7	4.2 / 4.1	9
4 BT-G4	4B	4	239	3.9	4 / 4.7	4	H4		4	448	7.3	4.9 / 6	21
4 BT-G3	4B	4	239	3.9	4 / 4.7	4	C195		6	464	7.6	4.4 / 5	10
B3.9-105	4B	4	239	3.9	4 / 4.7	4	C190B		6	464	7.6	4.4 / 5	10
4-390	4B	4	239	3.9	4 / 4.7	4	GNH180		8	464	7.6	4.4 / 5	11
4 B 3.9	4B	4	239	3.9	4 / 4.7	4	V470		8	470	7.7	4.6 / 3.5	18
4 BTA G1	4B	4	239	3.9	4 / 4.7	4	V8-185		8	470	7.7	4.6 / 3.5	18
3.9	4B	4	239	3.9	4 / 4.7	4	NHC4		4	495	8.1	5.1 / 6	25
QSB		4	275	4.5	4 / 5.4	3	HR4		4	495	8.1	5.1 / 6	26
V352		6	352	5.8	4.6 / 3.5	15	HRC		4	495	8.1	5.1 / 6	26
V6-140B		6	352	5.8	4.6 / 3.5	15	NT4		4	495	8.1	5.1 / 6	25
V6-140		6	352	5.8	4.6 / 3.5	15	V504	Small V	8	504	8.3	4.6 / 3.8	19
ISB-195	ISB	6	359	5.9	4 / 4.7	5	V8-210	Small V	8	504	8.3	4.6 / 3.8	19
6 BTA 5.9M2	6B	6	359	5.9	4 / 4.7	6	6T-830	C	6	505	8.3	4.5 / 5.3	12
G6BTAA5.9		6	359	5.9	4 / 4.7	7	ISC		6	505	8.3	4.5 / 5.3	13
QSB		6	359	5.9	4 / 4.7	8	6 C 8.3M	C	6	505	8.3	4.5 / 5.3	12
ISB-190	ISB	6	359	5.9	4 / 4.7	5	6 CTA-830	C	6	505	8.3	4.5 / 5.3	12
ISB-215	ISB	6	359	5.9	4 / 4.7	5	6 CTA 8.3M	C	6	505	8.3	4.5 / 5.3	12
ISB-210	ISB	6	359	5.9	4 / 4.7	5	6 CT 8.3M	C	6	505	8.3	4.5 / 5.3	12
ISB-175	ISB	6	359	5.9	4 / 4.7	5	6 CT	C	6	505	8.3	4.5 / 5.3	12
ISB-235	ISB	6	359	5.9	4 / 4.7	5	6 CTA 8.3	C	6	505	8.3	4.5 / 5.3	12
ISBe		6	359	5.9	4 / 4.7	8	ISL		6	543	8.9	4.5 / 5.7	14
B5.9-M3-315	6B	6	359	5.9	4 / 4.7	6	VT555C		8	555	9.1	4.6 / 4.1	17
6 BTAA-1	6B	6	359	5.9	4 / 4.7	6	VT555		8	555	9.1	4.6 / 4.1	20
6 BTA 5.9M1	6B	6	359	5.9	4 / 4.7	6	VT225 Big CAM I		8	555	9.1	4.6 / 4.1	17
B5.9-230	6B	6	359	5.9	4 / 4.7	6	V8-555		8	555	9.1	4.6 / 4.1	20
6 BTAA 5.9	6B	6	359	5.9	4 / 4.7	6	VT225		8	555	9.1	4.6 / 4.1	20
B5.9-215	6B	6	359	5.9	4 / 4.7	6	V555		8	555	9.1	4.6 / 4.1	20
B5.9-180	6B	6	359	5.9	4 / 4.7	6	VT588		6	588	9.6	5.5 / 4.1	32
B5.9-210	6B	6	359	5.9	4 / 4.7	6	V6-200		6	588	9.6	5.5 / 4.1	32
B5.9-160	6B	6	359	5.9	4 / 4.7	6	V588		6	588	9.6	5.5 / 4.1	32
B5.9-175	6B	6	359	5.9	4 / 4.7	6	L10	L	6	611	10	4.9 / 5.4	24
B5.9-130	6B	6	359	5.9	4 / 4.7	6	LTA10		6	611	10	4.9 / 5.4	24
6 BTA 5.9M	6B	6	359	5.9	4 / 4.7	6	M11, ISM		6	661	10.8	4.9 / 5.8	23
6 BTA	6B	6	359	5.9	4 / 4.7	6	H672		6	672	11	4.9 / 6	22
6 BT5.9	6B	6	359	5.9	4 / 4.7	6	H6		6	672	11	4.9 / 6	22
6 B 5.9	6B	6	359	5.9	4 / 4.7	6	HR6		6	743	12.2	5.1 / 6	27
6 B5.9M	6B	6	359	5.9	4 / 4.7	6	NS743		6	743	12.2	5.1 / 6	28



Model	Series	No. Cyls.	CID	Liter	Bore / Stroke	Line No.
HRF		6	743	12.2	5.1 / 6	27
H743		6	743	12.2	5.1 / 6	27
H6		6	743	12.2	5.1 / 6	27
NH		6	743	12.2	5.1 / 6	27
NHHRTO		6	743	12.2	5.1 / 6	28
NHHRT		6	743	12.2	5.1 / 6	28
NHHTO		6	743	12.2	5.1 / 6	28
NHHRS		6	743	12.2	5.1 / 6	28
NRT		6	743	12.2	5.1 / 6	28
NRTO		6	743	12.2	5.1 / 6	28
NHRS		6	743	12.2	5.1 / 6	28
NHS		6	743	12.2	5.1 / 6	28
NH200		6	743	12.2	5.1 / 6	28
NHHT		6	743	12.2	5.1 / 6	28
NHE195		6	743	12.2	5.1 / 6	28
NHE180		6	743	12.2	5.1 / 6	28
NH220		6	743	12.2	5.1 / 6	28
NTO262	NT	6	743	12.2	5.1 / 6	28
NTE235	NT	6	743	12.2	5.1 / 6	28
NT6		6	743	12.2	5.1 / 6	28
NT743		6	743	12.2	5.1 / 6	28
N743		6	743	12.2	5.1 / 6	28
NTO280	NT	6	743	12.2	5.1 / 6	28
V8-265		8	785	12.9	5.5 / 4.1	37
V785		8	785	12.9	5.5 / 4.1	37
Large V8 Short Stroke		8	785	12.9	5.5 / 4.1	37
Large V8 Long Stroke		8	785	12.9	5.5 / 4.1	37
VT785		8	785	12.9	5.5 / 4.1	37
NT855 Series	NT	6	855	14	5.5 / 6	33
G855		6	855	14	5.5 / 6	34
N14	N14	6	855	14	5.5 / 6	35
NT420	NT	6	855	14	5.5 / 6	33
NT855-310	NT	6	855	14	5.5 / 6	33
NT855-210	NT	6	855	14	5.5 / 6	33
NT855B335	NT	6	855	14	5.5 / 6	33
NT855B310	NT	6	855	14	5.5 / 6	33
NT855C	NT	6	855	14	5.5 / 6	33
NT855B380	NT	6	855	14	5.5 / 6	33
NT855C250	NT	6	855	14	5.5 / 6	33
NT855C335	NT	6	855	14	5.5 / 6	33
NT855C310	NT	6	855	14	5.5 / 6	33
NT855F1	NT	6	855	14	5.5 / 6	33
NT855C380	NT	6	855	14	5.5 / 6	33
NT855F3	NT	6	855	14	5.5 / 6	33
NT855F2	NT	6	855	14	5.5 / 6	33
NTE 370	NT	6	855	14	5.5 / 6	33
NTE 400	NT	6	855	14	5.5 / 6	33

Model	Series	No. Cyls.	CID	Liter	Bore / Stroke	Line No.
NT270	NT	6	855	14	5.5 / 6	33
NT270GC	NT	6	855	14	5.5 / 6	33
NTE 290	NT	6	855	14	5.5 / 6	33
NT270GS	NT	6	855	14	5.5 / 6	33
NT320	NT	6	855	14	5.5 / 6	33
NT370	NT	6	855	14	5.5 / 6	33
NT400	NT	6	855	14	5.5 / 6	33
NT		6	855	14	5.5 / 6	33
NTA855C	NT	6	855	14	5.5 / 6	33
NTA855-450	NT	6	855	14	5.5 / 6	33
NTA855-420	NT	6	855	14	5.5 / 6	33
NTA855-400	NT	6	855	14	5.5 / 6	33
NTA855C420	NT	6	855	14	5.5 / 6	33
NTA855C400	NT	6	855	14	5.5 / 6	33
NTA855C380	NT	6	855	14	5.5 / 6	33
NTA855C360	NT	6	855	14	5.5 / 6	33
NTA855L	NT	6	855	14	5.5 / 6	33
NTA855GS	NT	6	855	14	5.5 / 6	33
NTA855GC	NT	6	855	14	5.5 / 6	33
NTA855F	NT	6	855	14	5.5 / 6	33
NTA855L400	NT	6	855	14	5.5 / 6	33
NTA855L4	NT	6	855	14	5.5 / 6	33
NTA855L3 (400)	NT	6	855	14	5.5 / 6	33
NTA855L3	NT	6	855	14	5.5 / 6	33
NT855L335	NT	6	855	14	5.5 / 6	33
NT855L4 (335)	NT	6	855	14	5.5 / 6	33
NT855F4	NT	6	855	14	5.5 / 6	33
NT855L	NT	6	855	14	5.5 / 6	33
NT855P280	NT	6	855	14	5.5 / 6	33
NT855P310	NT	6	855	14	5.5 / 6	33
NT855M	NT	6	855	14	5.5 / 6	33
NT855P	NT	6	855	14	5.5 / 6	33
NT855R	NT	6	855	14	5.5 / 6	33
NT855R1	NT	6	855	14	5.5 / 6	33
NT855P335	NT	6	855	14	5.5 / 6	33
NT855P380	NT	6	855	14	5.5 / 6	33
NTA400	NT	6	855	14	5.5 / 6	33
NTA855	NT	6	855	14	5.5 / 6	33
NT855R2	NT	6	855	14	5.5 / 6	33
NT855R4	NT	6	855	14	5.5 / 6	33
NTCC290 Formula	NT	6	855	14	5.5 / 6	33
NTCC290	NT	6	855	14	5.5 / 6	33
NTCC300 Formula	NT	6	855	14	5.5 / 6	33
NTCC300	NT	6	855	14	5.5 / 6	33
NTCC300	NT	6	855	14	5.5 / 6	33
NTCC240	NT	6	855	14	5.5 / 6	33
NTCC230	NT	6	855	14	5.5 / 6	33
NTCC280	NT	6	855	14	5.5 / 6	33



Model	Series	No. Cyls.	CID	Liter	Bore / Stroke	Line No.	Model	Series	No. Cyls.	CID	Liter	Bore / Stroke	Line No.
NTCC250	NT	6	855	14	5.5 / 6	33	ISX, QSX	ISX, QSX	6	912	15	5.4 / 0	31
NTCE240	NT	6	855	14	5.5 / 6	33	KTA1150-C525		6	1150	18.8	6.2 / 6.2	39
NTCE Series	NT	6	855	14	5.5 / 6	33	KTA600		6	1150	18.8	6.2 / 6.2	39
NTCE290	NT	6	855	14	5.5 / 6	33	KT450		6	1150	18.8	6.2 / 6.2	39
NTCE250	NT	6	855	14	5.5 / 6	33	KT1150-C450		6	1150	18.8	6.2 / 6.2	39
NTCC350	NT	6	855	14	5.5 / 6	33	KTA1150-C600		6	1150	18.8	6.2 / 6.2	39
NTCC335	NT	6	855	14	5.5 / 6	33	K6		6	1150	18.8	6.2 / 6.2	39
NTCC400	NT	6	855	14	5.5 / 6	33	KT19		6	1150	18.8	6.2 / 6.2	39
NTCC350 Formula	NT	6	855	14	5.5 / 6	33	KTA19		6	1150	18.8	6.2 / 6.2	39
NTA855R	NT	6	855	14	5.5 / 6	33	VT1486		12	1485	24.4	5.1 / 6	29
NTAG	NT	6	855	14	5.5 / 6	33	NVH		12	1485	24.4	5.1 / 6	30
NTAGC	NT	6	855	14	5.5 / 6	33	NVHS		12	1485	24.4	5.1 / 6	30
NTAGS	NT	6	855	14	5.5 / 6	33	VT600		12	1485	24.4	5.1 / 6	29
NTA855M	NT	6	855	14	5.5 / 6	33	VTA1710		12	1710	28	5.5 / 6	38
NTA855P	NT	6	855	14	5.5 / 6	33	VTR1710		12	1710	28	5.5 / 6	38
NTA855P360	NT	6	855	14	5.5 / 6	33	VT12R-600		12	1710	28	5.5 / 6	38
NTA855P400	NT	6	855	14	5.5 / 6	33	VT1710		12	1710	28	5.5 / 6	38
NTC444	NT	6	855	14	5.5 / 6	33	VT12-700		12	1710	28	5.5 / 6	38
NTC855	NT	6	855	14	5.5 / 6	33	KTA2300C		12	2301	37.7	6.2 / 6.2	40
NTC855P335	NT	6	855	14	5.5 / 6	33	K38		12	2301	37.7	6.2 / 6.2	40
NTCC Series	NT	6	855	14	5.5 / 6	33	KT38		12	2301	37.7	6.2 / 6.2	40
NTC240	NT	6	855	14	5.5 / 6	33	KTA38		12	2301	37.7	6.2 / 6.2	40
NTC310	NT	6	855	14	5.5 / 6	33	KV12		12	2301	37.7	6.2 / 6.2	40
NTC320	NT	6	855	14	5.5 / 6	33	KTTA38		12	2301	37.7	6.2 / 6.2	40
NTC425	NT	6	855	14	5.5 / 6	33	KTTA50		16	3068	50.3	6.2 / 6.2	41
SUPER 270	NT	6	855	14	5.5 / 6	33	KTA50		16	3068	50.3	6.2 / 6.2	41
SUPER 250	NT	6	855	14	5.5 / 6	33	KV16		16	3068	50.3	6.2 / 6.2	41
NTF255-255 hp	NT	6	855	14	5.5 / 6	33	KTA3067C		16	3068	50.3	6.2 / 6.2	41
NTF295	NT	6	855	14	5.5 / 6	33	KT50		16	3068	50.3	6.2 / 6.2	41
NTF250	NT	6	855	14	5.5 / 6	33	KT3067		16	3068	50.3	6.2 / 6.2	41
NTE350	NT	6	855	14	5.5 / 6	33	K50		16	3068	50.3	6.2 / 6.2	41
NTE250	NT	6	855	14	5.5 / 6	33							
NTA370-370 hp	NT	6	855	14	5.5 / 6	33							
NTTA855GC	NT	6	855	14	5.5 / 6	33							
NTTA855GS	NT	6	855	14	5.5 / 6	33							
NTF365	NT	6	855	14	5.5 / 6	33							
NTO335	NT	6	855	14	5.5 / 6	33							
NT855C280	NT	6	855	14	5.5 / 6	33							
N927		6	855	14	5.5 / 6	33							
NTO280	NT	6	855	14	5.5 / 6	33							
NT4	NT	6	855	14	5.5 / 6	33							
NTO262	NT	6	855	14	5.5 / 6	33							
NTE235	NT	6	855	14	5.5 / 6	33							
NT743	NT	6	855	14	5.5 / 6	33							
NT6	NT	6	855	14	5.5 / 6	33							
GTA855		6	855	14	5.5 / 6	34							
V903	Big V	8	903	14.8	5.5 / 4.8	36							
VT903	Big V	8	903	14.8	5.5 / 4.8	36							

PART	NOTES	OE INTERCHANGE NUMBER	PART NUMBER	PER ENGINE QTY
1	3.6250" 1 Cyl Engine Code: 'Air Compressor'			1

Cylinder Components

Ring Set		AR73350	S51307	1
		AR73351	S51307.010	

2	3.7400" 201 CID (3.3L) 4 Cyl / 8 Valves; Turbocharged Komatsu Engine, QSB 3.3L Engine Code: 'QSB'			2
----------	---	--	--	----------

Bearings

Connecting Rod Bearing		4993834	CB-1921P	4
Main Bearing Set	BiMetal Aluminum	3800872 C6204218500	MS-2287P	1
		C6204298100	MS-2287P-.25MM	
		Exclusive	MS-2287P-.50MM	
		C6204278100	MS-2287P-.75MM	
Thrust Washer Set	Contains 3 Pieces	6204218500	TW-687S•	1
Piston Pin Bushing	With Oil Hole and Groove, Turbocharged Engines	6207313130	223-3681•	4

3	4.0160" 275 CID (4.5L) 4 Cyl / 16 Valves Engine Code: 'QSB'			3
----------	---	--	--	----------

Bearings

Main Bearing Set	180 Degree Thrust	3802010	MS-1718P	1
		3802011	MS-1718P-.25MM	
		3802012	MS-1718P-.50MM	
		3802013	MS-1718P-.75MM	
Piston Pin Bushing		4891178	223-3718•	4

Valve Train & Ancillary

Valve (Intake)	OE# 3802355 Identifies Valve With Locks, OE# 3920867 Identifies Bare Valve, Without Locks	3920867	211-3201	8
Valve (Exhaust)	2 Valve Cylinder Head, OE# 3802356 Identifies Valve With Locks, OE# 3920868 Identifies Bare Valve, Without Locks	3920868	211-3202	8
Valve Lock		3940123	216-5243	4
Rocker Arm	Exhaust, 4-Valve Cylinder Head, Kit with Lever OE# 3942735, Socket OE# 3935946, Retainer OE# 3935945	3937220	214-2196	4
	Intake, 4-Valve Cylinder Head, Kit with Lever OE# 3942734, Socket OE# 3935946, Retainer OE# 3935945	3937219	214-2197	4

4	4.0160" 239 CID (3.9L) 4 Cyl 4B Series			4
----------	--	--	--	----------

Cylinder Components

Cylinder Sleeve (Dry)	Repair Sleeve	3904166	226-4490	4
Piston	17.2:1 CR <i>* Please check CPL numbers</i>	3903579	224-3321	4
		<i>* Please check CPL numbers</i>	3930187	
	3930188		224-3322.020	
	3930189		224-3322.040	
	<i>* Please check CPL numbers</i>	3928674	224-3323.020	4
		3928675	224-3323.040	

PART	NOTES	OE INTERCHANGE NUMBER	PART NUMBER	PER ENGINE QTY	
4 (cont.)	4.0160" 239 CID (3.9L) 4 Cyl 4B Series			4 (cont.)	
Cylinder Components (cont.)					
Piston (cont.)	Turbocharged <i>* Please check CPL numbers</i>	3907163	224-3525	4	
		3908815	224-3525.020		
		Exclusive	224-3525.030		
		3908816	224-3525.040		
Rebore Kit	Supersedes To 225-3345	See Note	224-3345	4	
	17.2:1 CR	3802030	225-3321	4	
		3802032	225-3321.020		
		3802034	225-3321.040		
		3802757	225-3322	4	
		3805758	225-3322.020		
		3802759	225-3322.040		
	17.3:1 CR	3802764	225-3323.020	4	
		3802765	225-3323.040		
		3802090	225-3345	4	
	Grade A	3802561	225-3513	4	
		3802563	225-3513.020		
		3802565	225-3513.040		
	Grade B	3802562	225-3513B	4	
	Turbocharged	3802160	225-3525	4	
		3802132	225-3525.020		
		3802134	225-3525.040		
		4025072	225-3781	4	
		4089422	225-3781.020		
		4089423	225-3781.040		
Marine	3800756	225-3789	4		
	3800761	225-3789.020			
	3800760	225-3789.040			
Ring Set	Naturally Aspirated Engines, Rectangular Top Ring	3802040	S41517	4	
		3806241	S41517.020		
		3806242	S41517.040		
	Supersedes to S42221	See Note	S41518	4	
	Keystone Top And Second Compression Ring	3802750	S41905	4	
		3802831			
		3802919			
		3802863			S41905.020
		3802917			
	3806229				
3802864	S41905.040				
3802918					
3806230					
Ceramic Chrome Top Ring, Replaces OE# 3802421, 3802050, 3802056, 3802230, 3802746, 3938177, 3937393	See Note	S42221•	4		
	See Note	S42221.020			
	See Note	S42221.040			
Piston Pin		3934047	223-1932	4	
Lock Ring	2 Per Package	3920691	223-5525	4	

PART	NOTES	OE INTERCHANGE NUMBER	PART NUMBER	PER ENGINE QTY
4 (cont.)	4.0160" 239 CID (3.9L) 4 Cyl 4B Series			4 (cont.)

Engine Gaskets

Engine Cylinder Head Gasket Set	HS4961-2 Contains .25 MM/0.010" Over Thickness Head Gasket, HS4961-3 Contains .50 MM/0.020" Over Thickness Head Gasket	3804896	HS4961	1
		3802362	HS4961-2	
		3802242	HS4961-3	
Engine Conversion Gasket Set	Naturally Aspirated Engines	3802375	CS4961	1
	Contains OE# 3901020(4) Piston Cooling Nozzle	3802375	CS4961-1	1
Engine Cylinder Head Gasket	4961-2 Contains .25 MM / 0.010" Over Thickness Head Gasket, 4961-3 Contains .50 MM / 0.020" Over Thickness Head Gasket	3283333	4961	1
		3283336	4961-2	
		3283338	4961-3	
Engine Valve Cover Gasket Set	Single Valve Cover Gasket, Includes Grommets	3930906	VS50215S	4
Valve Stem Seal (Intake)	Drive On Seal	3921640	B45411A	8
	Top Hat Seal	3957912	B45953	4
Valve Stem Seal (Exhaust)	Drive On Seal	3921640	B45411A	8
	Top Hat Seal	3957912	B45953	4
Engine Oil Pan Gasket Set		3938162	OS32172	1
Engine Timing Cover Gasket		3935449	T27119	1
Engine Timing Cover Seal	Contains Sleeve And Dust Shield	3802820	48383	1
Rear Main Seal	May Require The Use Of Installation Tool GS33491	4089342	48384	1

Bearings

Connecting Rod Bearing	H-Series, Performance, No Dowel Hole In Cap Half, Machined Rod	Exclusive	CB-1413H	4	
		Exclusive	CB-1413H-.026MM		
		Exclusive	CB-1413H-.25MM		
	H-Series, Performance, Bearing Wall .0005" Thinner For .0010" More Oil Clearance, No Dowel Hole In Cap Half, Machined Rod	Exclusive	CB-1413HX	4	
		Machined Rod	3901170		CB-1413P
			3901171		CB-1413P-.25MM
			3901172		CB-1413P-.50MM
		3901173	CB-1413P-.75MM		
	Connecting Rod With Housing Bore Resized .010" Larger Than Stock, Machined Rod	Exclusive	CB-1846P-.25MM	4	
Exclusive		CB-1846P-.50MM			
Main Bearing Set	180 Degree Thrust	3802010	MS-1718P	1	
		3802011	MS-1718P-.25MM		
		3802012	MS-1718P-.50MM		
		3802013	MS-1718P-.75MM		
	180 Degree Thrust	4955855	MS-2305A	1	
Main Bearings	Contains Upper Flanged Bearing	3978822	MB-3109A	1	
	Contains Straight Shell Bearings	3802520	MB-3110A	4	

PART	NOTES	OE INTERCHANGE NUMBER	PART NUMBER	PER ENGINE QTY
4 (cont.)	4.0160" 239 CID (3.9L) 4 Cyl 4B Series			4 (cont.)
Bearings (cont.)				
Camshaft Bearing	Position Number 1, Only Sold Separately, To 1996, 2.260" OD	3901306	SH-1404	1
Piston Pin Bushing	6BT	3901085 3941476	223-3717•	4
		4891178	223-3718•	4
Valve Train & Ancillary				
Valve (Intake)	OE# 3802355 Identifies Valve With Locks, OE# 3920867 Identifies Bare Valve, Without Locks	3920867	211-3201	4
Valve (Exhaust)	2 Valve Cylinder Head, OE# 3802356 Identifies Valve With Locks, OE# 3920868 Identifies Bare Valve, Without Locks	3920868	211-3202	4
Valve Guide	Intake, 2 Valve Cylinder Head, Thick Wall, 60.50MM Length	3904408	217-4114	4
	Exhaust, 2 Valve Cylinder Head, Thick Wall, 51.75MM Length	3904409	217-4115	4
	Intake And Exhaust, 2 Valve Cylinder Head, Thin Wall	3906206	217-4116	8
Valve Spring	Intake	3916691	212-1798	4
	Intake And Exhaust	3932453	212-1799	8
	Intake And Exhaust	3900276	212-1800	8
	Intake And Exhaust	3926700	212-1801	8
Valve Spring Retainer	Intake And Exhaust, Except 6B Series, Marine Intake Only	3900299	216-4121	8
Valve Seat Insert	Exhaust	3904105	218-3787	4
	Intake, Except Marine	3906854	218-3788	4
	4 Valve Cylinder Head Exhaust, .127MM Oversize	3939719	218-3789	8
	Intake, 4-Valve Cylinder Head, Standard	3943449	218-3790	8
	Exhaust, 4-Valve Cylinder Head, Standard	3943450	218-3791	8
	Exhaust, 4-Valve Cylinder Head, .127MM Oversize	4934074	218-3792	8
	Exhaust, 2 Valve Cylinder Head, Standard, Marine Specific	3925176	218-3793	4
	Intake, 2 Valve Cylinder Head, Marine Specific	3925177	218-3794	4
Valve Lock		3940123	216-5243	4
Rocker Arm	2 Valve Cylinder Head, Kit With Lever OE# 3910808, Nut OE# 3927692, Screw OE# 3937438, Insert OE# 3900705	3910810	214-2194	4
	2 Valve Cylinder Head, Kit With Lever OE# 3910809, Nut OE# 3927692, Screw OE# 3937438, Insert OE# 3900705	3910811	214-2195	4
	Exhaust, 4-Valve Cylinder Head, Kit with Lever OE# 3942735, Socket OE# 3935946, Retainer OE# 3935945	3937220	214-2196	4
	Intake, 4-Valve Cylinder Head, Kit with Lever OE# 3942734, Socket OE# 3935946, Retainer OE# 3935945	3937219	214-2197	4
Rocker Arm Bridge		3943626	214-1182	8
Rocker Lever Support	Kit With Support OE# 3911423 And Shaft OE# 3922487	3922488	214-1184	4
Filters				
Spin-on oil filter		3890709 3890712 3903224 3903324	OC 585	1
Spin-on fuel filter	Fits and Replaces OE#'s 3964763, 3931065, 3890707	See Note	KC 6	1
Turbochargers				
Turbocharger	4TA-390	see at page 521	286 TC 14234 000	1
	Elite 4BT	see at page 521	286 TC 15390 000	1
	Elite 4BTA	see at page 521	286 TC 17385 000	1

PART	NOTES	OE INTERCHANGE NUMBER	PART NUMBER	PER ENGINE QTY	
4 (cont.)	4.0160" 239 CID (3.9L) 4 Cyl 4B Series			4 (cont.)	
Camshaft & Timing Components					
Camshaft	* Please check CPL numbers	3929885	229-2429	1	
	* Please check CPL numbers	3929039	229-2430	1	
	* Please check CPL numbers	3968381	229-2431	1	
Crankshaft					
Crankshaft	Less Gear	3929036	247-5177	1	
5	4.0160" 359 CID (5.9L) 6 Cyl ISB Series			5	
Cylinder Components					
Cylinder Sleeve (Dry)	Repair Sleeve	3904166	226-4490	6	
Piston	ISB VIN 7 HO, Grade A, Combustion Bowl Is Centered, Turbocharged, 24 Valves, Aluminum, Measure Skirt Clearance at .472" from the bottom of skirt, Piston Head Description: Reentrant Bowl, Piston Skirt Clearance: 0.0047" * Please check CPL numbers	3946050	224-3354	6	
		3946053	224-3354.020		
		3946054	224-3354.040		
	ISB VIN 6 Non-HO, Grade A, Turbocharged, 24 Valves, Aluminum, Measure Skirt Clearance at .472" from the bottom of skirt, Piston Head Description: Reentrant Bowl, Piston Skirt Clearance: 0.0047" * Please check CPL numbers	3946153	224-3355	6	
		3946156	224-3355.020		
		Exclusive	224-3355.030		
		3946157	224-3355.040		
Rebore Kit	ISB VIN 7 HO, Grade A, Combustion Bowl Is Centered, Turbocharged, 24 Valves	3800838	225-3354	6	
		3934047			
		3800841			225-3354.020
		3800842	225-3354.040		
	ISB VIN 6 Non-HO, Grade A, Turbocharged, 24 Valves	3800781	225-3355	6	
		3804990	225-3355.020		
		3800785	225-3355.040		
	Grade B	3800782	225-3355B	6	
			4025072		6
		4089422			
	4089423	225-3781.040			
Ring Set	Keystone Top And Second Compression Ring	3802750	S41905	6	
		3802831			
		3802919			
		3802863			S41905.020
		3802917			
		3806229			
	Ceramic Chrome Top Ring, Replaces OE# 4089258, 4089460, 3804947, 3947678, 3959079	See Note	S42170•	6	
		See Note	S42170.020		
		See Note	S42170.040		
Piston Pin		3934047	223-1932	6	
Engine Gaskets					
Engine Cylinder Head Gasket Set	VIN 6, 1998-2002	Exclusive	95-3623VR•	1	

PART	NOTES	OE INTERCHANGE NUMBER	PART NUMBER	PER ENGINE QTY
5 (cont.)	4.0160" 359 CID (5.9L) 6 Cyl ISB Series			5 (cont.)

Engine Gaskets (cont.)

Engine Cylinder Head Gasket Set (cont.)	Industrial, Contains Drive On Valve Stem Seals	4090035 4090037	HS54174-1	1
	Dodge Trucks, Contains Drive On Valve Stem Seals, Contains OE# 3977063 Head Gasket, 3914029 Intake Manifold Gasket And 3955339 Exhaust Manifold Gasket	See Note	HS54174-2	1
Engine Conversion Gasket Set	Dodge Trucks, VIN Code: '6', Contains OE# 3959052 Oil Pan Gasket, VIN Code: '6', Contains OE# 3959052 Oil Pan Gasket	See Note	CS54174	1
	Industrial	3800487	CS54174-1	1
Engine Cylinder Head Gasket	54174A Is .25MM/.010" Over Thickness Head Gasket, 54174B Is .50MM/.020" Over Thickness Head Gasket	3977063	54174	1
		3977063	54174A	
		3977063	54174B	
Engine Valve Cover Gasket Set		3935878	VS50317	1
Engine Push Rod Cover Gasket Set		3284623	PS38801	1
Valve Stem Seal (Intake)	ISB, To Engine S/N 46239409, Drive On Seal	3942989	B45903	12
	ISB, From Engine S/N 46239409, Top Hat Seal	3955393	B45962	12
Valve Stem Seal (Exhaust)	ISB, To Engine S/N 46239409, Drive On Seal	3945438	B45902	12
	ISB, From Engine S/N 46239409, Top Hat Seal	3955394	B45963	12
Engine Intake Manifold Gasket Set		3914029 3931347	MS12435	1
Exhaust Manifold Gasket Set		3955339	MS19225	1
Engine Oil Pan Gasket Set		3902425 3959052	OS32139	1
Engine Timing Cover Gasket Set	Contains Sleeve and Dust Shield	3802820	JV5097	1
Engine Timing Cover Seal	Contains Sleeve And Dust Shield	3802820	48383	1
Rear Main Seal Set	May Require The Use Of Installation Tool GS33491	3934486	JV1622	1
Rear Main Seal	May Require The Use Of Installation Tool GS33491	4089342	48384	1
	Contains Sleeve	3926126	67857	1

Miscellaneous Gaskets

Turbocharger Mounting Gasket Set	Turbocharger Mounting Gasket Set	Exclusive	GS33583	1
Repair Sleeve Tool	For Use On Rear Gear Train Engines	3909409	GS33491	1
Engine Water Pump Gasket		3906698	K31420	1
Engine Coolant Outlet Gasket		Exclusive	C31710	1

Bearings

Connecting Rod Bearing	H-Series, Performance, No Dowel Hole In Cap Half, Machined Rod	Exclusive	CB-1413H	6
		Exclusive	CB-1413H-.026MM	
		Exclusive	CB-1413H-.25MM	

PART	NOTES	OE INTERCHANGE NUMBER	PART NUMBER	PER ENGINE QTY
5 (cont.)	4.0160" 359 CID (5.9L) 6 Cyl ISB Series			5 (cont.)
Bearings (cont.)				
Connecting Rod Bearing (cont.)	H-Series, Performance, Bearing Wall .0005" Thinner For .0010" More Oil Clearance, No Dowel Hole In Cap Half, Machined Rod	Exclusive	CB-1413HX	6
	Machined Rod	3901170	CB-1413P	6
		3901171	CB-1413P-.25MM	
		3901172	CB-1413P-.50MM	
		3901173	CB-1413P-.75MM	
	Connecting Rod With Housing Bore Resized .010" Larger Than Stock, Machined Rod	Exclusive	CB-1846P-.25MM	6
		Exclusive	CB-1846P-.50MM	
	BiMetal Aluminum Lower Bearing, TriMetal Upper Bearing, Standard Size Contains OE# 3939859 Upper Shell And 4893693 Lower Shell, .25MM Undersize Contains OE# 3901171 Upper Shell And 4892795 Lower Shell, .50MM Undersize Contains OE# 3901172 Upper Shell And 4893796 Lower Shell, .75MM Undersize Contains OE# 3901173 Upper Shell And 4893797 Lower Shell	See Note	CB-1873AP	6
		See Note	CB-1873AP-.25MM	
		See Note	CB-1873AP-.50MM	
		See Note	CB-1873AP-.75MM	
	H-Series, Performance, No Dowel Hole In Cap Half, Fractured Rod	Exclusive	CB-1873H	6
		Exclusive	CB-1873H-.026MM	
		Exclusive	CB-1873H-.25MM	
H-Series, Performance, Bearing Wall .0005" Thinner For .0010" More Oil Clearance, No Dowel Hole In Cap Half, Fractured Rod	Exclusive	CB-1873HX	6	
Main Bearing Set	Supersedes To MS-2328H	See Note	MS-1717H	1
		See Note	MS-1717H-.026MM	
		See Note	MS-1717H-.25MM	
	Supersedes To MS-2328HX	See Note	MS-1717HX	1
	Supersedes To MS-2328P	See Note	MS-1717P	1
		See Note	MS-1717P-.25MM	
		See Note	MS-1717P-.50MM	
		See Note	MS-1717P-.75MM	
	Supersedes To MS-2329P	See Note	MS-2272P	1
	H-Series, Performance, Grooved Upper Half And Plain Lower Half, Contains Upper Flanged Bearing	Exclusive	MS-2328H•	1
		Exclusive	MS-2328H-.026mm	
		Exclusive	MS-2328H-.25MM	
	H-Series, Performance, Bearing Wall .0005" Thinner For .0010" More Oil Clearance, Grooved Upper Half And Plain Lower Half, Contains Half Flanged Bearing	Exclusive	MS-2328HX•	1
		3802070	MS-2328P•	1
3802071		MS-2328P-.25MM		
3802072		MS-2328P-.50MM		
3802073		MS-2328P-.75MM		
Contains Full Flanged Bearing, .25MM Undersize Contains: OE# 4938937(6), 4938933(6), 4938949, 4938942	4025224	MS-2329P•	1	
	See Note	MS-2329P-.25MM		
Main Bearings	Contains Upper Flanged Bearing	3978822	MB-3109A	1
	Contains Straight Shell Bearings	3802520	MB-3110A	6
Camshaft Bearing	Position Number 1 1996 and up, 2.340" OD STORM Block	3940059	SH-1981	1
Piston Pin Bushing		4891178	223-3718•	6

PART	NOTES	OE INTERCHANGE NUMBER	PART NUMBER	PER ENGINE QTY
5 (cont.)	4.0160" 359 CID (5.9L) 6 Cyl ISB Series			5 (cont.)

Valve Train & Ancillary

Valve (Intake)	ISB, 24 Valve	3940735	211-4182	12
Valve (Exhaust)	ISB, 24 Valve	3940734	211-4183	12
Valve Seat Insert	Exhaust, .127MM Oversize	3939719	218-3789	12
	Intake, 4-Valve Cylinder Head, Standard	3943449	218-3790	12
	Exhaust, 4-Valve Cylinder Head, Standard	3943450	218-3791	12
	Exhaust, 4-Valve Cylinder Head, .127MM Oversize	4934074	218-3792	12
Valve Lock		3940123	216-5243	6
Rocker Arm	Exhaust, 4-Valve Cylinder Head, Kit with Lever OE# 3942735, Socket OE# 3935946, Retainer OE# 3935945	3937220	214-2196	6
	Intake, 4-Valve Cylinder Head, Kit with Lever OE# 3942734, Socket OE# 3935946, Retainer OE# 3935945	3937219	214-2197	6

Filters

Spin-on oil filter		4989314	OC 502	1
---------------------------	--	---------	---------------	---

Turbochargers

Turbocharger	1998 Dodge Truck, For Engines Rated At 215 HP, For Engines Rated At 215 HP	see at page 521	286 TC 21008 000	1
	1999 Dodge Truck, For Engines Rated At 215 HP, Engines Rated At 215 HP	see at page 521	286 TC 21009 000	1
	2003-2004 Dodge Truck, Engines Rated At 305 HP	see at page 521	286 TC 21010 000	1
	ISB Dodge Truck	see at page 522	286 TC 25004 000	1

Crankshaft

Crankshaft	Without Gear	4980462	247-5228	1
-------------------	--------------	---------	-----------------	---

6	4.0160" 359 CID (5.9L) 6 Cyl 6B Series			6
----------	--	--	--	----------

Cylinder Components

Cylinder Sleeve (Dry)	Repair Sleeve	3904166	226-4490	6
Piston	17.2:1 CR <i>* Please check CPL numbers</i>	3903579	224-3321	6
	<i>* Please check CPL numbers</i>	3930187	224-3322	6
		3930188	224-3322.020	
		3930189	224-3322.040	
	<i>* Please check CPL numbers</i>	3928674	224-3323.020	6
		3928675	224-3323.040	
	Grade B, Turbocharged, Top Ring Is 0.406" From Piston Top <i>* Please check CPL numbers</i>	3802561	224-3513	6
		3926633	224-3513.020	
		Exclusive	224-3513.030	
	Grade B, .010" Reduced Compression Height Versions <i>* Please check CPL numbers</i>	3926632	224-3514	6
		3926635	224-3514.040	
	44.5 CC Combustion Bowl, Grade A, Aluminum, Measure Skirt Clearance at .472" from the bottom of skirt, Piston Head Description: Reentrant Bowl <i>* Please check CPL numbers</i>	3926631	224-3515	6
		3926634	224-3515.020	
		Exclusive	224-3515.030	
Exclusive		224-3515.040		
<i>* Please check CPL numbers</i>	3919048	224-3517.040	6	

PART	NOTES	OE INTERCHANGE NUMBER	PART NUMBER	PER ENGINE QTY
6 (cont.)	4.0160" 359 CID (5.9L) 6 Cyl 6B Series			6 (cont.)

Cylinder Components (cont.)

Piston (cont.)	Turbocharged, Inline Injection Pump, Top Ring Is .335" From Piston Top <i>* Please check CPL numbers</i>	3922571	224-3520	6
		3922574	224-3520.020	
		Exclusive	224-3520.030	
		3922575	224-3520.040	
	Turbocharged, Marine <i>* Please check CPL numbers</i>	3911400	224-3522	6
		3912049	224-3522.020	
		3912050	224-3522.040	
	Turbocharged-Aftercooled, Aluminum, Measure Skirt Clearance at .472" from the bottom of skirt, Piston Head Description: Reentrant Bowl, Piston Skirt Clearance: 0.0047" <i>* Please check CPL numbers</i>	3907156	224-3523	6
		3907157	224-3523.020	
		3907158	224-3523.040	
	Turbocharged <i>* Please check CPL numbers</i>	3907163	224-3525	6
		3908815	224-3525.020	
		Exclusive	224-3525.030	
		3908816	224-3525.040	
	Naturally Aspirated, Diesel <i>* Please check CPL numbers</i>	3906223	224-3526	6
		3906209	224-3526.020	
		3906208	224-3526.040	
		3919048	225-3514	6
		3802563	225-3514.020	
		3802565	225-3514.040	
Rebore Kit	Supersedes To 225-3345	See Note	224-3345	6
	17.2:1 CR	3802030	225-3321	6
		3802032	225-3321.020	
		3802034	225-3321.040	
		3802757	225-3322	6
		3805758	225-3322.020	
		3802759	225-3322.040	
	17.3:1 CR	3802764	225-3323.020	6
		3802765	225-3323.040	
		3802090	225-3345	6
	Grade A	3802561	225-3513	6
		3802563		
		3802563	225-3513.020	
		3802565	225-3513.040	
	Grade B	3802562	225-3513B	6
	Turbocharged	3802487	225-3520	6
		3802493	225-3520.020	
		3802495	225-3520.040	
	Turbocharged-Aftercooled	3802100	225-3523	6
		3802102	225-3523.020	
3802104		225-3523.040		
Turbocharged	3802160	225-3525	6	
	3802132	225-3525.020		
	3802134	225-3525.040		

PART	NOTES	OE INTERCHANGE NUMBER	PART NUMBER	PER ENGINE QTY
6 (cont.)	4.0160" 359 CID (5.9L) 6 Cyl 6B Series			6 (cont.)

Cylinder Components (cont.)

Rebore Kit (cont.)	Naturally Aspirated	3802060	225-3526	6	
		3802062	225-3526.020		
		3802064	225-3526.040		
			3802927	225-3780	6
			3802925	225-3780.020	
			3802926	225-3780.040	
			4025072	225-3781	6
			4089422	225-3781.020	
			4089423	225-3781.040	
	Marine		3800756	225-3789	6
			3800761	225-3789.020	
			3800760	225-3789.040	
Ring Set	Naturally Aspirated Engines, Rectangular Top Ring	3802040	S41517	6	
		3806241	S41517.020		
		3806242	S41517.040		
	Supersedes to S42221	See Note	S41518	6	
	Keystone Top And Second Compression Ring		3802750	S41905	6
			3802831		
			3802919		
			3802863	S41905.020	
			3802917		
	3806229				
Ceramic Chrome Top Ring, Replaces OE# 3802421, 3802050, 3802056, 3802230, 3802746, 3938177, 3937393		See Note	S42221•	6	
		See Note	S42221.020		
		See Note	S42221.040		
Piston Pin		3934047	223-1932	6	

Engine Gaskets

Engine Cylinder Head Gasket Set	Contains Drive On Valve Stem Seals, Top Hat Designed, Valve Stem Seals Must Be Ordered Separately, HS4068A Contains .25MM/.010" Over Thickness Head Gasket, HS4068B Contains .50MM/.020" Over Thickness Head Gasket	3804897	HS4068	1	
		4089649			
		3802364			HS4068A
		3802245	HS4068B		
Engine Conversion Gasket Set	Use with Head Set to Make Full Set	3802376	CS4068	1	
Engine Cylinder Head Gasket	4068D Is .25MM/.010" Over Thickness Head Gasket, 4068E Is .50MM/.020" Over Thickness Head Gasket	3283335	4068C	1	
		3283337			4068D
		3283339			4068E
Engine Valve Cover Gasket Set	Single Valve Cover Gasket, Includes Grommets	3930906	VS50215S	6	
Valve Stem Seal (Intake)	Drive On Seal	3921640	B45411A	6	
	Top Hat Seal	3957912	B45953	6	
Valve Stem Seal (Exhaust)	Drive On Seal	3921640	B45411A	6	
	Top Hat Seal	3957912	B45953	6	

PART	NOTES	OE INTERCHANGE NUMBER	PART NUMBER	PER ENGINE QTY
6 (cont.)	4.0160" 359 CID (5.9L) 6 Cyl 6B Series			6 (cont.)

Engine Gaskets (cont.)

Engine Intake Manifold Gasket Set		3914029 3931347	MS12435	1
Exhaust Manifold Gasket Set		3927154	MS10141	1
Engine Oil Pan Gasket Set		3902425 3959052	OS32139	1
Engine Timing Cover Gasket Set	1989-1993, Contains Sleeve And Dust Shield	3904492 3914385	JV1186	1
	1993 - Up, Contains Sleeve and Dust Shield	3918673 3938156	JV5072	1
Engine Timing Cover Gasket		3935449	T27119	1
Engine Timing Cover Seal	Contains Sleeve And Dust Shield	3802820	48383	1
		4955372	67883	1
Rear Main Seal Set	May Require The Use Of Installation Tool GS33491	3934486	JV1622	1
Rear Main Seal	May Require The Use Of Installation Tool GS33491	4089342	48384	1
	Contains Sleeve	3926126	67857	1

Miscellaneous Gaskets

Turbocharger Mounting Gasket Set	Turbocharger Mounting Gasket Set	Exclusive	GS33582	1
Engine Coolant Thermostat Seal		3923331	C31421	1
Repair Sleeve Tool	For Use On Rear Gear Train Engines	3909409	GS33491	1
Engine Water Pump Gasket		3906698	K31420	1
Exhaust Pipe Flange Gasket		3912220	F10142	1

Bearings

Connecting Rod Bearing	H-Series, Performance, No Dowel Hole In Cap Half, Machined Rod	Exclusive	CB-1413H	6	
		Exclusive	CB-1413H-.026MM		
		Exclusive	CB-1413H-.25MM		
	H-Series, Performance, Bearing Wall .0005" Thinner For .0010" More Oil Clearance, No Dowel Hole In Cap Half, Machined Rod	Exclusive	CB-1413HX	6	
		Machined Rod	3901170		CB-1413P
			3901171		CB-1413P-.25MM
			3901172		CB-1413P-.50MM
	Connecting Rod With Housing Bore Resized .010" Larger Than Stock, Machined Rod	3901173	CB-1413P-.75MM	6	
		Exclusive	CB-1846P-.25MM		
Main Bearing Set	Supersedes To MS-2328H	Exclusive	CB-1846P-.50MM	6	
		See Note	MS-1717H		1
		See Note	MS-1717H-.026MM		
	See Note	MS-1717H-.25MM			
Supersdes To MS-2328HX	See Note	MS-1717HX	1		

PART	NOTES	OE INTERCHANGE NUMBER	PART NUMBER	PER ENGINE QTY
6 (cont.)	4.0160" 359 CID (5.9L) 6 Cyl 6B Series			6 (cont.)
Bearings (cont.)				
Main Bearing Set (cont.)	Supersedes To MS-2328P	See Note	MS-1717P	1
		See Note	MS-1717P-.25MM	
		See Note	MS-1717P-.50MM	
		See Note	MS-1717P-.75MM	
	H-Series, Performance, Grooved Upper Half And Plain Lower Half, Contains Upper Flanged Bearing	Exclusive	MS-2328H•	1
		Exclusive	MS-2328H-.026mm	
		Exclusive	MS-2328H-.25MM	
	H-Series, Performance, Bearing Wall .0005" Thinner For .0010" More Oil Clearance, Grooved Upper Half And Plain Lower Half, Contains Half Flanged Bearing	Exclusive	MS-2328HX•	1
		3802070	MS-2328P•	
		3802071	MS-2328P-.25MM	
3802072		MS-2328P-.50MM		
	3802073	MS-2328P-.75MM	1	
Main Bearings	Contains Upper Flanged Bearing	3978822	MB-3109A	1
	Contains Straight Shell Bearings	3802520	MB-3110A	6
Camshaft Bearing	Position Number 1, Only Sold Separately, To 1996, 2.260" OD	3901306	SH-1404	1
Piston Pin Bushing	Supersedes To 223-3717	See Note	223-3644	6
	6BT	3901085 3941476	223-3717•	6
Valve Train & Ancillary				
Valve (Intake)	OE# 3802355 Identifies Valve With Locks, OE# 3920867 Identifies Bare Valve, Without Locks	3920867	211-3201	6
	With Locks	3970727 4089761	211-4297	6
Valve (Exhaust)	2 Valve Cylinder Head, OE# 3802356 Identifies Valve With Locks, OE# 3920868 Identifies Bare Valve, Without Locks	3920868	211-3202	6
	With Locks, OE# 3802481 Identifies Valve With Locks, OE#3925175 Identifies Bare Valve	3802481	211-4294	6
	With Locks	4089762	211-4295	6
Valve Guide	Intake, 2 Valve Cylinder Head, Thick Wall, 60.50MM Length	3904408	217-4114	6
	Exhaust, 2 Valve Cylinder Head, Thick Wall, 51.75MM Length	3904409	217-4115	6
	Intake And Exhaust, 2 Valve Cylinder Head, Thin Wall	3906206	217-4116	12
Valve Spring	Intake	3916691	212-1798	6
	Intake And Exhaust	3932453	212-1799	12
	Intake And Exhaust	3900276	212-1800	12
	Intake And Exhaust	3926700	212-1801	12
Valve Spring Retainer	Intake And Exhaust, Except 6B Series, Marine Intake Only	3900299	216-4121	12
Valve Seat Insert	Exhaust	3904105	218-3787	6
	Intake, Except Marine	3906854	218-3788	6
	Exhaust, 2 Valve Cylinder Head, Standard, Marine Specific	3925176	218-3793	6
	Intake, 2 Valve Cylinder Head, Marine Specific	3925177	218-3794	6
Rocker Arm	2 Valve Cylinder Head, Kit With Lever OE# 3910808, Nut OE# 3927692, Screw OE# 3937438, Insert OE# 3900705	3910810	214-2194	6
	2 Valve Cylinder Head, Kit With Lever OE# 3910809, Nut OE# 3927692, Screw OE# 3937438, Insert OE# 3900705	3910811	214-2195	6

PART	NOTES	OE INTERCHANGE NUMBER	PART NUMBER	PER ENGINE QTY
6 (cont.)	4.0160" 359 CID (5.9L) 6 Cyl 6B Series			6 (cont.)

Valve Train & Ancillary (cont.)

Rocker Arm Bridge		3943626	214-1182	12
Rocker Lever Support	Kit With Support OE# 3911423 And Shaft OE# 3922487	3922488	214-1184	6
Ball Bearing	Fan Support Hub	3910739	228-2317	1

Filters

Spin-on oil filter		10521 3890708 3890710 3903264 3914395 B3908615	OC 320	1
		4989314		
Spin-on fuel filter		3890706 3930942 3935274	KC 191	1
	Fits and Replaces OE#'s 3964763, 3931065, 3890707	See Note		

Turbochargers

Turbocharger	B Series, NT, NH, V12, G28, V28	see at page 516	183 TC 24563 000	1
	6BT	see at page 521	286 TC 14015 000	1
	6BT, 6CT	see at page 521	286 TC 15267 000	1
	6BTAA	see at page 521	286 TC 16022 000	1
	6BT	see at page 521	286 TC 21002 000	1
	1994-1995 Dodge Truck, For Engines Rated 160-175 HP	see at page 521	286 TC 21003 000	1
	1996-1998 Dodge Truck and Bus, Engines Rated At 180 HP	see at page 521	286 TC 21007 000	1
		see at page 521	286 TC 21103 000	1
		see at page 522	286 TC 31101 000	1
	see at page 522	286 TC 31102 000	1	

Camshaft & Timing Components

Camshaft		3929734	229-2440	1
		3942567	229-2441	1
	Marine Specific, With Gear	3930378	229-2442	1
Cam Gear		3942755	8-5506	1
		3929028	8-5507	1
		3921954	8-5508	1

Crankshaft

Crankshaft		3929037	247-5130	1
-------------------	--	---------	-----------------	---

7	4.0160" 359 CID (5.9L) 6 Cyl Engine Codes: 'BT5.9-195G, G6B5.9, G6BTAA5.9'			7
----------	--	--	--	----------

Cylinder Components

Piston Pin		3934047	223-1932	6
-------------------	--	---------	-----------------	---

Engine Gaskets

Engine Cylinder Head Gasket Set	Contains Drive On Valve Stem Seals, Top Hat Designed, Valve Stem Seals Must Be Ordered Separately, HS4068A Contains .25MM/.010" Over Thickness Head Gasket, HS4068B Contains .50MM/.020" Over Thickness Head Gasket	3804897 4089649	HS4068	1
		3802364	HS4068A	
		3802245	HS4068B	
Engine Conversion Gasket Set	Use with Head Set to Make Full Set	3802376	CS4068	1

PART	NOTES	OE INTERCHANGE NUMBER	PART NUMBER	PER ENGINE QTY
7 (cont.)	4.0160" 359 CID (5.9L) 6 Cyl Engine Codes: 'BT5.9-195G, G6B5.9, G6BTAA5.9'			7 (cont.)

Engine Gaskets (cont.)

Engine Cylinder Head Gasket	4068D Is .25MM/.010" Over Thickness Head Gasket, 4068E Is .50MM/.020" Over Thickness Head Gasket	3283335	4068C	1
		3283337	4068D	
		3283339	4068E	
Engine Valve Cover Gasket Set	Single Valve Cover Gasket, Includes Grommets	3930906	VS50215S	6
Valve Stem Seal (Intake)	Drive On Seal	3921640	B45411A	6
	Top Hat Seal	3957912	B45953	6
Valve Stem Seal (Exhaust)	Drive On Seal	3921640	B45411A	6
	Top Hat Seal	3957912	B45953	6
Engine Intake Manifold Gasket Set		3914029 3931347	MS12435	1
Exhaust Manifold Gasket Set		3927154	MS10141	1
Engine Oil Pan Gasket Set		3902425 3959052	OS32139	1
Engine Timing Cover Gasket Set	1989-1993, Contains Sleeve And Dust Shield	3904492 3914385	JV1186	1
	1993 - Up, Contains Sleeve and Dust Shield	3918673 3938156	JV5072	1
Engine Timing Cover Seal	Contains Sleeve And Dust Shield	3802820	48383	1
Rear Main Seal Set	May Require The Use Of Installation Tool GS33491	3934486	JV1622	1
Rear Main Seal	May Require The Use Of Installation Tool GS33491	4089342	48384	1
	Contains Sleeve	3926126	67857	1

Miscellaneous Gaskets

Engine Coolant Thermostat Seal		3923331	C31421	1
Repair Sleeve Tool	For Use On Rear Gear Train Engines	3909409	GS33491	1
Engine Water Pump Gasket		3906698	K31420	1
Exhaust Pipe Flange Gasket		3912220	F10142	1

Bearings

Connecting Rod Bearing	H-Series, Performance, No Dowel Hole In Cap Half, Machined Rod	Exclusive	CB-1413H	6	
		Exclusive	CB-1413H-.026MM		
		Exclusive	CB-1413H-.25MM		
	H-Series, Performance, Bearing Wall .0005" Thinner For .0010" More Oil Clearance, No Dowel Hole In Cap Half, Machined Rod	Exclusive	CB-1413HX	6	
		Machined Rod	3901170	CB-1413P	6
			3901171	CB-1413P-.25MM	
			3901172	CB-1413P-.50MM	
	3901173		CB-1413P-.75MM		
	Connecting Rod With Housing Bore Resized .010" Larger Than Stock, Machined Rod	Exclusive	CB-1846P-.25MM	6	
		Exclusive	CB-1846P-.50MM		

PART	NOTES	OE INTERCHANGE NUMBER	PART NUMBER	PER ENGINE QTY
7 (cont.)	4.0160" 359 CID (5.9L) 6 Cyl Engine Codes: 'BT5.9-195G, G6B5.9, G6BTAA5.9'			7 (cont.)

Bearings (cont.)

Main Bearing Set	Supersedes To MS-2328H	See Note	MS-1717H	1
		See Note	MS-1717H-.026MM	
		See Note	MS-1717H-.25MM	
	Supersedes To MS-2328HX	See Note	MS-1717HX	1
		See Note	MS-1717HX-.25MM	
	Supersedes To MS-2328P	See Note	MS-1717P	1
		See Note	MS-1717P-.25MM	
		See Note	MS-1717P-.50MM	
		See Note	MS-1717P-.75MM	
	H-Series, Performance, Grooved Upper Half And Plain Lower Half, Contains Upper Flanged Bearing	Exclusive	MS-2328H•	1
		Exclusive	MS-2328H-.026mm	
		Exclusive	MS-2328H-.25MM	
	H-Series, Performance, Bearing Wall .0005" Thinner For .0010" More Oil Clearance, Grooved Upper Half And Plain Lower Half, Contains Half Flanged Bearing	Exclusive	MS-2328HX•	1
3802070		MS-2328P•		
3802071		MS-2328P-.25MM		
3802072		MS-2328P-.50MM		
3802073		MS-2328P-.75MM		
Main Bearings	Contains Upper Flanged Bearing	3978822	MB-3109A	1
	Contains Straight Shell Bearings	3802520	MB-3110A	6
Camshaft Bearing	Position Number 1, Only Sold Separately, To 1996, 2.260" OD	3901306	SH-1404	1
Piston Pin Bushing	Supersedes To 223-3717	See Note	223-3644	6
	6BT	3901085 3941476	223-3717•	6

Turbochargers

Turbocharger	see at page 521	286 TC 21103 000	1
---------------------	-----------------	-------------------------	---

8	4.0160" 359 CID (5.9L) 6 Cyl; Turbocharged 2003 - Up Engine Codes: 'ISBe, QSB'			8
----------	--	--	--	----------

Cylinder Components

Cylinder Sleeve (Dry)	Repair Sleeve	3904166	226-4490	6
Piston	17.1:1 CR, 2003-2004 HO, Engine Model 'ETH', Vin Code: 'C', Aluminum	3965497	224-3672	6
		3966675	224-3672.020	
		3966676	224-3672.040	
	17.1:1 CR, 2005-2009 HO, Engine Model 'ETH', Vin Code: 'C', Aluminum	3970192	224-3673	6
		3970126	224-3673.020	
		3970127	224-3673.040	
	16.3:1 CR, 2003-2004 NON-HO, Engine Model 'ETC', VIN Code: '6', Aluminum, Measure Skirt Clearance at .472" from the bottom of skirt	3958675	224-3674	6
		3949843	224-3674.020	
		3949844	224-3674.040	
Rebore Kit	Grade A	3802561	225-3515	6
		3802564	225-3515.020	
		3802565	225-3515.040	

PART	NOTES	OE INTERCHANGE NUMBER	PART NUMBER	PER ENGINE QTY
8 (cont.)	4.0160" 359 CID (5.9L) 6 Cyl; Turbocharged 2003 - Up Engine Codes: 'ISBe, QSB'			8 (cont.)

Cylinder Components (cont.)

Rebore Kit (cont.)	17.1:1 CR, 2003-2004 HO, Engine Model 'ETH', Standard Size Contains: OE# 4089259, 3934047; 0.020" Size Contains: OE# 4089183, 3934047; 0.040" Size Contains: OE# 4089184, 3934047, Vin Code: 'C'	See Note	225-3672	6
		See Note	225-3672.020	
		See Note	225-3672.040	
	17.1:1 CR, 2005-2009 HO, Engine Model 'ETH', Standard Size Contains: OE# 4089669, 3934047; 0.020" Size Contains: OE# 4089670, 3934047; 0.040" Size Contains: OE# 4089671, 3934047, Vin Code: 'C'	4089669	225-3673	6
		4089670	225-3673.020	
		4089671	225-3673.040	
	16.3:1 CR, 2003-2004 NON-HO, Engine Model 'ETC', Standard Size Contains: OE# 4089150, 3934047; 0.020" Size Contains: OE# 4089185, 3934047; 0.040" Size Contains: OE# 4089186, 3934047, VIN Code: '6'	See Note	225-3674	6
		See Note	225-3674.020	
		See Note	225-3674.040	
		3802927	225-3780	6
		3802925	225-3780.020	
		3802926	225-3780.040	
	4025072	225-3781	6	
	4089422	225-3781.020		
	4089423	225-3781.040		
Ring Set	Keystone Top And Second Compression Ring	3802750	S41905	6
		3802831		
		3802919		
		3802863	S41905.020	
		3802917		
		3806229		
	3802864	S41905.040		
	3802918			
	3806230			
Ceramic Chrome Top Ring, Replaces OE# 4089258, 4089460, 3804947, 3947678, 3959079	See Note	S42170•	6	
	See Note	S42170.020		
	See Note	S42170.040		

Engine Gaskets

Engine Cylinder Head Gasket Set	Dodge Trucks, Set Contains Overbore Service Specific Head Gasket 1.20MM Thickness 107.4MM for Over Bored or Repair Sleeved Engines	3966342 4089819	HS54556	1
	Industrial, Set Contains Over Bore Service Specific 1.20MM Thickness 107.4MM Overbore Head Gasket for Over Bored or Repair Sleeved Engines	3966342 4089263	HS54556A	1
	Dodge Trucks, Set Contains Standard 1.28MM Thickness Head Gasket	4089819	HS54557	1
	Industrial, Set Contains Standard 1.28MM Thickness Head Gasket	4089263	HS54557A	1
Engine Conversion Gasket Set	Use with Head Set to Make Full Set	4089173	CS54556	1
Engine Cylinder Head Gasket	For Over Bored or Repair Sleeved Engines, 107.4MM Bore, 54556 Is 1.10MM Thickness, 54556A Is 1.20MM Thickness	3966343	54556	1
		3966342	54556A	
	54557 Is Standard Head Gasket 1.18MM Thickness, 54557A Is Standard Head Gasket 1.28MM Thickness	3958644	54557	1
		3958645	54557A	
Engine Cylinder Head Bolt Set		3927063	GS33493	1
Engine Valve Cover Gasket Set	Contains Valve Cover Grommets	3935449 3954324	VS50416	1
	With Integrated Wire Harness	5264950	VS50543	1

PART	NOTES	OE INTERCHANGE NUMBER	PART NUMBER	PER ENGINE QTY
8 (cont.)	4.0160" 359 CID (5.9L) 6 Cyl; Turbocharged 2003 - Up Engine Codes: 'ISBe, QSB'			8 (cont.)

Engine Gaskets (cont.)

Engine Push Rod Cover Gasket Set		3963379	VS50419	1
Valve Stem Seal (Intake)	ISB, From Engine S/N 46239409, Top Hat Seal	3955393	B45962	12
Valve Stem Seal (Exhaust)	ISB, From Engine S/N 46239409, Top Hat Seal	3955394	B45963	12
Engine Intake Manifold Gasket Set		3969988	MS19355	1
Exhaust Manifold Gasket Set		3955339	MS19225	1
Engine Oil Pan Gasket Set		3958165	OS32278	1
Engine Timing Cover Gasket Set	Contains Sleeve and Dust Shield	3802820 3947814	JV5076	1
Engine Timing Cover Seal	Contains Sleeve And Dust Shield	3802820	48383	1
Rear Main Seal Set	May Require The Use Of Installation Tool GS33491	3957492 3970548 4947667	JV1690	1
Rear Main Seal	May Require The Use Of Installation Tool GS33491	4089342	48384	1
	Contains Sleeve	3926126	67857	1

Miscellaneous Gaskets

Turbocharger Mounting Gasket Set	Turbocharger Mounting Gasket Set, Contains OE# 3931824, 3919369, 3678786, 3678603(2) And 4931365	See Note	GS33584	1
EGR Valve Gasket	Cooler Tube Gasket	3949910	G32479	4
	Inlet Pipe Gasket	3958716	G32481	1
Engine Coolant Thermostat Seal		3954829	C31858	1
Repair Sleeve Tool	For Use On Rear Gear Train Engines	3909409	GS33491	1
Engine Oil Cooler Gasket Set		3977913	GS33485	1
Engine Water Pump Gasket		3906698	K31420	1
Fuel Injection Nozzle O-Ring		3906659 3937142 4062328 4890926	GS33484	6

Bearings

Connecting Rod Bearing	BiMetal Aluminum Lower Bearing, TriMetal Upper Bearing, Standard Size Contains OE# 3939859 Upper Shell And 4893693 Lower Shell, .25MM Undersize Contains OE# 3901171 Upper Shell And 4892795 Lower Shell, .50MM Undersize Contains OE# 3901172 Upper Shell And 4893796 Lower Shell, .75MM Undersize Contains OE# 3901173 Upper Shell And 4893797 Lower Shell	See Note	CB-1873AP	6
		See Note	CB-1873AP-.25MM	
		See Note	CB-1873AP-.50MM	
		See Note	CB-1873AP-.75MM	
	H-Series, Performance, No Dowel Hole In Cap Half, Fractured Rod	Exclusive	CB-1873H	6
		Exclusive	CB-1873H-.026MM	
		Exclusive	CB-1873H-.25MM	
	H-Series, Performance, Bearing Wall .0005" Thinner For .0010" More Oil Clearance, No Dowel Hole In Cap Half, Fractured Rod	Exclusive	CB-1873HX	6
Main Bearing Set	Supersedes To MS-2328H	See Note	MS-1717H	1
		See Note	MS-1717H-.026MM	
		See Note	MS-1717H-.25MM	

PART	NOTES	OE INTERCHANGE NUMBER	PART NUMBER	PER ENGINE QTY
8 (cont.)	4.0160" 359 CID (5.9L) 6 Cyl; Turbocharged 2003 - Up Engine Codes: 'ISBe, QSB'			8 (cont.)

Bearings (cont.)

Main Bearing Set (cont.)	Supersdes To MS-2328HX	See Note	MS-1717HX	1
	Supersedes To MS-2328P	See Note	MS-1717P	1
		See Note	MS-1717P-.25MM	
		See Note	MS-1717P-.50MM	
		See Note	MS-1717P-.75MM	
	Supersedes To MS-2329P	See Note	MS-2272P	1
	H-Series, Performance, Grooved Upper Half And Plain Lower Half, Contains Upper Flanged Bearing	Exclusive	MS-2328H•	1
		Exclusive	MS-2328H-.026mm	
		Exclusive	MS-2328H-.25MM	
	H-Series, Performance, Bearing Wall .0005" Thinner For .0010" More Oil Clearance, Grooved Upper Half And Plain Lower Half, Contains Half Flanged Bearing	Exclusive	MS-2328HX•	1
3802070		MS-2328P•		
3802071		MS-2328P-.25MM		
3802072		MS-2328P-.50MM		
3802073		MS-2328P-.75MM		
Contains Full Flanged Bearing, .25MM Undersize Contains: OE# 4938937(6), 4938933(6), 4938949, 4938942	4025224	MS-2329P•	1	
	See Note	MS-2329P-.25MM		
Main Bearings	Contains Upper Flanged Bearing	3978822	MB-3109A	1
	Contains Straight Shell Bearings	3802520	MB-3110A	6
Camshaft Bearing	Position Number 1 1996 and up, 2.340" OD STORM Block	3940059	SH-1981	1

Valve Train & Ancillary

Valve (Intake)	ISB, 24 Valve	3940735	211-4182	12
Valve (Exhaust)	ISB, 24 Valve	3940734	211-4183	12
Valve Seat Insert	Exhaust, .127MM Oversize	3939719	218-3789	12
	Exhaust, 4-Valve Cylinder Head, Standard	3943450	218-3791	12
	Exhaust, 4-Valve Cylinder Head, .127MM Oversize	4934074	218-3792	12
Rocker Arm	Exhaust, 4-Valve Cylinder Head, Kit with Lever OE# 3942735, Socket OE# 3935946, Retainer OE# 3935945	3937220	214-2196	1
	Intake, 4-Valve Cylinder Head, Kit with Lever OE# 3942734, Socket OE# 3935946, Retainer OE# 3935945	3937219	214-2197	1
Rocker Arm Shaft	Exhaust, 4-Valve Cylinder Head	3935892	230-3057	6

Filters

Spin-on oil filter		10521 3890708 3890710 3903264 3914395 B3908615	OC 320	1
Fuel filter element		4935205	KX 357	1

Turbochargers

Turbocharger	B Series Dodge Ram, Includes Discharge Casting	see at page 522	286 TC 25042 000	1
---------------------	--	-----------------	-------------------------	---

Camshaft & Timing Components

Camshaft		3979506	229-2444	1
-----------------	--	---------	-----------------	---

PART	NOTES	OE INTERCHANGE NUMBER	PART NUMBER	PER ENGINE QTY
9	4.2100" 408 CID (6.7L) 6 Cyl / 24 Valves; Turbocharged ISB Series			9

Cylinder Components

Piston	Aluminum, Piston Skirt Clearance: 0.0047"	4938619	224-3732	6	
		4938620	224-3732.020		
		4931888	224-3802•	6	
		4931041	224-3802.020		
Rebore Kit		4955365	225-3732	6	
		4956007	225-3732.020		
Ring Set		4955366	42140	1	
		4955480	42140.020		
		4955366	42140.040		
			4955366	S42140	6
			4955480	S42140.020	
			4955366	S42140.040	
			4955251	S42188	6
			4955480	S42188.020	

Engine Gaskets

Engine Cylinder Head Gasket Set	Dodge Truck Applications	4955354	HS54774-1	1
	Non Automotive Applications	4955523	HS54774-2	1
	Non EGR Engines	4955229	HS54774-3	1
Engine Conversion Gasket Set	Automotive Applications, Use with Head Set to Make Full Set	4955355	CS54774-1	1
Engine Cylinder Head Gasket		4932210	54774•	1
Engine Valve Cover Gasket Set	With Integrated Wire Harness	5264950	VS50543	1
Engine Push Rod Cover Gasket Set		3963379	VS50419	1
Engine Valve Stem Seal Set	ISB, From Engine S/N 46239409, Top Hat Seal	3955393	B45962	24
Engine Intake Manifold Gasket Set	Dodge Truck Installation, Contains OE# Fuel Injection O Ring 4062328 (6), Intake Manifold Gasket 3947530, EGR Tube 3949910, EFT Inlet Gasket 3958716, Intake Manifold Air Connection 4940849, Fuel Line O Ring 3963990 (10), EGF Valve Gasket 3979769 (2), Intake Manifold Air Connection 4933235 (2)	See Note	MIS19751	1
	Contains OE# Intake Manifold Cover 3947530, Gasket 4940849 And 4933235	See Note	MS19751	1
Exhaust Manifold Gasket Set		2830444 5266422	MS19741	1
Engine Oil Pan Gasket Set		3287561 3949562 4943167	OS32381	1
Engine Timing Cover Gasket Set	Contains Sleeve and Dust Shield	3802820 3947814	JV5076	1
Engine Timing Cover Seal	Contains Sleeve And Dust Shield	3802820	48383	1
Rear Main Seal Set	May Require The Use Of Installation Tool GS33491	3957492 3970548 4947667	JV1690	1
Rear Main Seal	May Require The Use Of Installation Tool GS33491	4089342	48384	1
	Contains Sleeve	3926126	67857	1

PART	NOTES	OE INTERCHANGE NUMBER	PART NUMBER	PER ENGINE QTY
9 (cont.)	4.2100" 408 CID (6.7L) 6 Cyl / 24 Valves; Turbocharged ISB Series			9 (cont.)

Miscellaneous Gaskets

Turbocharger Mounting Gasket Set	Turbocharger Mounting Gasket Set, Contains OE# 3883284, 3678786, 3678603(2), 4931365, 3928624(2) And 3977338	See Note	GS33616	1
EGR Valve Gasket		3979769	G32461	1
	Cooler Tube Gasket	3949910	G32479	4
	Cooler Mounting Gasket	5266801	G32480	1
	Inlet Pipe Gasket	3958716	G32481	1
Engine Coolant Thermostat Seal		3954829	C31858	1
Turbocharger Gasket		3977338	G32463	1
Engine Oil Cooler Gasket Set		3977913	GS33485	1
Engine Oil Drain Plug Gasket		3287561	B32484	1
Fuel Injector Seal Kit		3976371 3977393	GS33614	6
Fuel Injection Auxiliary Valve O-ring	1/4" X 3/8" X 1/16"	See Note	72010	1
Fuel Pump Seal		2830977	D32483	1
Exhaust Pipe Flange Gasket		4933225	F32482	1

Bearings

Connecting Rod Bearing	BiMetal Aluminum Lower Bearing, TriMetal Upper Bearing, Standard Size Contains OE# 3939859 Upper Shell And 4893693 Lower Shell, .25MM Undersize Contains OE# 3901171 Upper Shell And 4892795 Lower Shell, .50MM Undersize Contains OE# 3901172 Upper Shell And 4893796 Lower Shell, .75MM Undersize Contains OE# 3901173 Upper Shell And 4893797 Lower Shell	See Note	CB-1873AP	6
		See Note	CB-1873AP-.25MM	
		See Note	CB-1873AP-.50MM	
		See Note	CB-1873AP-.75MM	
	H-Series, Performance, No Dowel Hole In Cap Half, Fractured Rod	Exclusive	CB-1873H	6
		Exclusive	CB-1873H-.026MM	
		Exclusive	CB-1873H-.25MM	
	H-Series, Performance, Bearing Wall .0005" Thinner For .0010" More Oil Clearance, No Dowel Hole In Cap Half, Fractured Rod	Exclusive	CB-1873HX	6
Main Bearing Set	Supersedes To MS-2328H	See Note	MS-1717H	1
		See Note	MS-1717H-.026MM	
		See Note	MS-1717H-.25MM	
	Supersedes To MS-2328HX	See Note	MS-1717HX	1
	Supersedes To MS-2328P	See Note	MS-1717P	1
		See Note	MS-1717P-.25MM	
		See Note	MS-1717P-.50MM	
	H-Series, Performance, Grooved Upper Half And Plain Lower Half, Contains Upper Flanged Bearing	See Note	MS-1717P-.75MM	1
		Exclusive	MS-2328H•	
		Exclusive	MS-2328H-.026mm	
	H-Series, Performance, Bearing Wall .0005" Thinner For .0010" More Oil Clearance, Grooved Upper Half And Plain Lower Half, Contains Half Flanged Bearing	Exclusive	MS-2328H-.25MM	1
		Exclusive	MS-2328HX•	

PART	NOTES	OE INTERCHANGE NUMBER	PART NUMBER	PER ENGINE QTY
9 (cont.)	4.2100" 408 CID (6.7L) 6 Cyl / 24 Valves; Turbocharged ISB Series			9 (cont.)

Bearings (cont.)

Main Bearing Set (cont.)		3802070	MS-2328P•	1
		3802071	MS-2328P-.25MM	
		3802072	MS-2328P-.50MM	
		3802073	MS-2328P-.75MM	
Main Bearings	Contains Upper Flanged Bearing	3978822	MB-3109A	1
	Contains Straight Shell Bearings	3802520	MB-3110A	6
Piston Pin Bushing		4891178	223-3718•	6

Valve Train & Ancillary

Valve Seat Insert	Exhaust, 4-Valve Cylinder Head, Standard	3943450	218-3791	12
	Exhaust, 4-Valve Cylinder Head, .127MM Oversize	4934074	218-3792	12
Valve Lock		3940123	216-5243	6
Rocker Arm	Exhaust, 4-Valve Cylinder Head, Kit with Lever OE# 3942735, Socket OE# 3935946, Retainer OE# 3935945	3937220	214-2196	6
	Intake, 4-Valve Cylinder Head, Kit with Lever OE# 3942734, Socket OE# 3935946, Retainer OE# 3935945	3937219	214-2197	6
Rocker Arm Shaft	Exhaust, 4-Valve Cylinder Head	3935892	230-3057	6

Filters

Spin-on oil filter		3908615	OC 1001•	1
---------------------------	--	---------	-----------------	---

Turbochargers

Turbocharger	2007-2009, 2500-3500 Dodge Ram VGT	see at page 521	286 TC 21101 100	1
Turbocharger Service Kit	Turbocharger Service Kit, Service Kit for Turbocharger 286 TC 21101 100	See Note	286 TS 21101 100	1

10	4.4370" 464 CID (7.6L) 6 Cyl Engine Codes: 'C190B, C195'			10
-----------	--	--	--	-----------

Engine Gaskets

Engine Timing Cover Seal		4955372	67883	1
---------------------------------	--	---------	--------------	---

11	4.4380" 464 CID (7.6L) 8 Cyl Engine Code: 'GNH180'			11
-----------	--	--	--	-----------

Bearings

Connecting Rod Bearing		203670	CB-296P	8
		203671	CB-296P-10	
		203672	CB-296P-20	
		203673	CB-296P-30	
		203674	CB-296P-40	
Main Bearing Set	Contains 4 Piece Thrust Washer Set, Contains Lockplates	3801260	MS-1687P	1
		3801261	MS-1687P-10	
		3801262	MS-1687P-20	
		3801263	MS-1687P-30	
Thrust Washer Set	Contains 4 Pieces	3067568	TW-369S	1
		Exclusive	TW-369S+10	
		Exclusive	TW-369S+5	

PART	NOTES	OE INTERCHANGE NUMBER	PART NUMBER	PER ENGINE QTY
12	4.4880" 505 CID (8.3L) 6 Cyl; Turbocharged-Aftercooled C Series			12
Cylinder Components				
Cylinder Sleeve Assembly	For Thin Wall Blocks, Pilot 5.2296"/5.2316", Thru 1991	see at page 295	226-1894	6
	1992 and Up, Pilot 5.151"/5.153", Thin Wall Sleeves	see at page 295	226-1899	6
	For Thin Wall Blocks, Pilot 5.2296", Thru 1991	see at page 295	226-1916	6
	1992 And Up, For Thick Wall Blocks Thin Wall Sleeves, Pilot 5.151"/5.153"	see at page 295	226-1917	6
		see at page 295	226-1947	6
		see at page 295	226-1948	6
		see at page 295	226-1949	6
		see at page 295	226-1950	6
		see at page 295	226-1951	6
		see at page 295	226-2035	6
		see at page 295	226-2058•	6
		see at page 295	226-2070	6
Cylinder Sleeve	Thru 1991, For Thin Wall Blocks For Thin Wall Blocks, Pilot 5.2296"/5.2316"	3802370	226-4496	6
	1992 And Up, For Thick Wall Blocks Thin Wall Sleeves, Pilot 5.151"/5.153"	3802407	226-4547	6
		3800328	226-4566	6
Piston	.984" Bowl, Standard Engines	3917707	224-3012	6
	Select Engine Series .837" Bowl	3802657	224-3293	6
		3919930	224-3326	6
		4019886	224-3328	6
	Grade A	3925878	224-3330A	6
	Grade B	3925879	224-3330B	6
	Grade C	3925880	224-3330C	6
	Grade D	3925881	224-3330D	6
	Grade C, Discontinued when out of stock	3926963	224-3331C	6
	Grade D, Discontinued when out of stock	3926964	224-3331D	6
		3943446	224-3332	6
Rebore Kit		3802657	225-3293	6
		3802601	225-3330A	6
		3802602	225-3330B	6
		3802603	225-3330C	6
		3802604	225-3330D	6
	Discontinued when out of stock	3802461	225-3331B	6
	Discontinued when out of stock	3802462	225-3331C	6
	Pin Not Included	3800320	225-3754	6
	Pin Not Included	4089613	225-3782	6
	Pin Not Included	4955237	225-3783	6
Pin Not Included	4089646	225-3784	6	

PART	NOTES	OE INTERCHANGE NUMBER	PART NUMBER	PER ENGINE QTY
12 (cont.)	4.4880" 505 CID (8.3L) 6 Cyl; Turbocharged-Aftercooled C Series			12 (cont.)

Cylinder Components (cont.)

Rebore Kit (cont.)	Pin Not Included	4955204	225-3785	6
	Pin Not Included	4309095	225-3786	6
	Pin Not Included	3800318	225-3787	6
	Pin Not Included	4089963	225-3788	6
Ring Set	Keystone Top Compression Ring	3802429	S41677	6
		3802538	S41901	6
	Barrel Faced, Internal Step Top (Positive Twist), Keystone Top Compression Ring	3800912	S42162	6
	Barrel Faced, Internal Step Top (Positive Twist), Keystone Top Compression Ring	4089644	S42163	6
Sleeve O-Ring Kit		3907177	223-7201	6

Engine Gaskets

Engine Cylinder Head Gasket Set		4025271	HS54126	1
Engine Conversion Gasket Set		3800558	CS54126-1	1
Engine Cylinder Head Gasket		3938267	54126	1
Engine Valve Cover Gasket Set	Contains Grommets	3902466	VS50577	1
Engine Valve Stem Seal Set		3948578	B45955	24
Valve Stem Seal (Intake)		3927642	B45893	6
Valve Stem Seal (Exhaust)		3927642	B45893	6
Engine Intake Manifold Gasket Set		3936993	MS19374	1
Exhaust Manifold Gasket Set		3929012	MS19719	1
Engine Oil Pan Gasket Set		3938160	OS32205	1
Engine Timing Cover Gasket Set		3281721 3921927	JV5074	1
Engine Timing Cover Seal		4025270	67639	1
		4955372	67883	1
Rear Main Seal	May Require The Use Of Installation Tool GS33491	4089342	48384	1

Miscellaneous Gaskets

Repair Sleeve Tool	For Use On Rear Gear Train Engines	3909409	GS33491	1
---------------------------	------------------------------------	---------	----------------	---

Bearings

Connecting Rod Bearing		3901430	CB-1409P	6
		3901431	CB-1409P-.25MM	
		3901432	CB-1409P-.50MM	
		3901433	CB-1409P-.75MM	
		3950661 3966244	CB-1923P	6
Main Bearing Set		3802210	MS-1740P	1
		3802211	MS-1740P-.25MM	
		3802212	MS-1740P-.50MM	

PART	NOTES	OE INTERCHANGE NUMBER	PART NUMBER	PER ENGINE QTY
12 (cont.)	4.4880" 505 CID (8.3L) 6 Cyl; Turbocharged-Aftercooled C Series			12 (cont.)

Bearings (cont.)

Main Bearings	Contains Straight Shell Bearings	3944153 3944158 3945930	MB-3104A	6
	Contains Full Flanged Bearing	3945929	MB-3964A	1
Camshaft Bearing	Supersedes To SH-2183	See Note	SH-1402	7
		3901685 3945329	SH-2183•	7
Piston Pin Bushing	Requires Boring	3901470 3970951	223-3642	6

Valve Train & Ancillary

Valve (Intake)		3924492	211-3203	6
	With Locks	3970727 4089761	211-4297	6
	With Locks	3800340 3942588	211-4298	6
Valve (Exhaust)	2 Valve Cylinder Head	3802085	211-3204	6
	With Locks	3800341 3942589	211-4296	6
Valve Guide	Intake And Exhaust, 2 Valve Cylinder Head	3923564	217-4117	12
	Intake And Exhaust, 2 Valve Cylinder Head, OE# 3925863	See Note	217-4118	12
Valve Spring	Exhaust	3916588	212-1794	6
	Intake And Exhaust	3925272	212-1795	12
	Intake, Blue Stripe	3991085	212-1797	6
Valve Spring Retainer	Intake And Exhaust, 2 Valve Cylinder Head	3972757	216-4120	12
Valve Seat Insert	Intake, 2 Valve Cylinder Head, Standard, OE# 3924582	See Note	218-3796	6
	Exhaust, 2 Valve Cylinder Head, Standard	3928174	218-3797	6
	Exhaust, 2 Valve Cylinder Head, Standard	3929005	218-3800	6
Rocker Arm	Kit With Lever OE# 3926429, Nut OE# 3927692, Screw OE# 3937438, Insert OE# 3902588	3901717	214-2188	12
Rocker Arm Shaft	With Rivet 3919434	3919435	230-3060	6
Rocker Lever Support		3905870	214-1183	6
Tappet Guide	Engines With Roller Tappets And Threaded Guide Pin Hole	4944725	213-1794	12
Ball Bearing	Fan Support Hub	3910739	228-2317	1

Filters

Spin-on oil filter		3825970	OC 482	1
---------------------------	--	---------	---------------	---

Turbochargers

Turbocharger		see at page 516	183 TC 23538 000	1
	6CTA, Remanufactured	see at page 516	183 TC 23538 100	1
	6BT, 6CT	see at page 521	286 TC 15267 000	1
	Industrial	see at page 521	286 TC 21102 000	1
	6CTA, Freightliner, Encore	see at page 522	286 TC 24929 000	1
		see at page 522	286 TC 31101 000	1
		see at page 522	286 TC 31102 000	1
		see at page 522	286 TC 31104 000•	1

Camshaft & Timing Components

Camshaft		3923478	229-2435	1
		3945033	229-2445	1

PART	NOTES	OE INTERCHANGE NUMBER	PART NUMBER	PER ENGINE QTY
12 (cont.)	4.4880" 505 CID (8.3L) 6 Cyl; Turbocharged-Aftercooled C Series			12 (cont.)
Camshaft & Timing Components (cont.)				
Camshaft (cont.)		3967256	229-2446	1
		3938163	229-2447	1
		3966430	229-2448	1
Cam Gear		3918777	8-5511	1
Crankshaft				
Crankshaft		3917320	247-5096	1

13	4.4880" 505 CID (8.3L) 6 Cyl / 24 Valves; Turbocharged-Aftercooled Engine Code: 'ISC'			13
Cylinder Components				
Cylinder Sleeve Assembly	For Thin Wall Blocks, Pilot 5.2296"/5.2316", Thru 1991	see at page 295	226-1894	6
	1992 and Up, Pilot 5.151"/5.153", Thin Wall Sleeves	see at page 295	226-1899	6
	For Thin Wall Blocks, Pilot 5.2296", Thru 1991	see at page 295	226-1916	6
	1992 And Up, For Thick Wall Blocks Thin Wall Sleeves, Pilot 5.151"/5.153"	see at page 295	226-1917	6
		see at page 295	226-1947	6
		see at page 295	226-1948	6
		see at page 295	226-1949	6
		see at page 295	226-1950	6
		see at page 295	226-1951	6
		see at page 295	226-2058•	6
Cylinder Sleeve	Thru 1991, For Thin Wall Blocks For Thin Wall Blocks, Pilot 5.2296"/5.2316"	3802370	226-4496	6
	1992 And Up, For Thick Wall Blocks Thin Wall Sleeves, Pilot 5.151"/5.153"	3802407	226-4547	6
		3800328	226-4566	6
Piston	.984" Bowl, Standard Engines	3917707	224-3012	6
	Celect Engine Series .837" Bowl	3802657	224-3293	6
	Grade A	3925878	224-3330A	6
	Grade B	3925879	224-3330B	6
	Grade C	3925880	224-3330C	6
	Grade D	3925881	224-3330D	6
	Grade C, Discontinued when out of stock	3926963	224-3331C	6
	Grade D, Discontinued when out of stock	3926964	224-3331D	6
Rebore Kit		3802601	225-3330A	6
		3802602	225-3330B	6
		3802603	225-3330C	6
		3802604	225-3330D	6
	Discontinued when out of stock	3802461	225-3331B	6
	Discontinued when out of stock	3802462	225-3331C	6
	Pin Not Included	4089613	225-3782	6

PART	NOTES	OE INTERCHANGE NUMBER	PART NUMBER	PER ENGINE QTY
13 (cont.)	4.4880" 505 CID (8.3L) 6 Cyl / 24 Valves; Turbocharged-Aftercooled Engine Code: 'ISC'			13 (cont.)

Cylinder Components (cont.)

Rebore Kit (cont.)	Pin Not Included	4309095	225-3786	6
	Pin Not Included	4089963	225-3788	6
Ring Set	Keystone Top Compression Ring	3802429	S41677	6
		3802538	S41901	6
	Barrel Faced, Internal Step Top (Positive Twist), Keystone Top Compression Ring	3800912	S42162	6
Sleeve O-Ring Kit		3907177	223-7201	6

Engine Gaskets

Engine Cylinder Head Gasket Set		4089958	HS54132	1
Engine Conversion Gasket Set		3800343	CS54132-1	1
Engine Cylinder Head Gasket		3943366	54132	1
Valve Stem Seal (Intake)		3927642	B45893	12
Valve Stem Seal (Exhaust)		3948578	B45955	12
Engine Intake Manifold Gasket Set		3936993	MS19374	1
Engine Oil Pan Gasket Set		3938160	OS32205	1
Engine Timing Cover Gasket Set		3281721 3921927	JV5074	1
Engine Timing Cover Seal		4025270	67639	1
Rear Main Seal	May Require The Use Of Installation Tool GS33491	4089342	48384	1

Miscellaneous Gaskets

Repair Sleeve Tool	For Use On Rear Gear Train Engines	3909409	GS33491	1
---------------------------	------------------------------------	---------	----------------	---

Bearings

Connecting Rod Bearing		3901430	CB-1409P	6
		3901431	CB-1409P-.25MM	
		3901432	CB-1409P-.50MM	
		3901433	CB-1409P-.75MM	
		3950661 3966244	CB-1923P	6
Main Bearing Set		3802210	MS-1740P	1
		3802211	MS-1740P-.25MM	
		3802212	MS-1740P-.50MM	
Main Bearings	Contains Straight Shell Bearings	3944153 3944158 3945930	MB-3104A	6
	Contains Full Flanged Bearing	3945929	MB-3964A	1
Camshaft Bearing	Supersedes To SH-2183	See Note	SH-1402	7
		3901685 3945329	SH-2183•	7
Piston Pin Bushing	Requires Boring	3901470 3970951	223-3642	6

Valve Train & Ancillary

Valve (Intake)		3924492	211-3203	12
-----------------------	--	---------	-----------------	----

PART	NOTES	OE INTERCHANGE NUMBER	PART NUMBER	PER ENGINE QTY
13 (cont.)	4.4880" 505 CID (8.3L) 6 Cyl / 24 Valves; Turbocharged-Aftercooled Engine Code: 'ISC'			13 (cont.)

Valve Train & Ancillary (cont.)

Valve (Intake) (cont.)	With Locks	3970727 4089761	211-4297	12
	With Locks	3800340 3942588	211-4298	12
Valve (Exhaust)	With Locks	4089762	211-4295	12
Valve Guide	4-Valve Cylinder Head, 0.316" ID, Finished Inner Diameter	3948102	217-4119	24
	4-Valve Cylinder Head, 0.294" ID, Unfinished Inner Diameter	4934063	217-4120	24
Valve Spring	Intake And Exhaust, 2 Green Stripes	4936076	212-1796	24
Valve Seat Insert	Exhaust, 4-Valve Cylinder Head, Standard	3968074	218-3795	12
	Intake, 4-Valve Cylinder Head, Standard	3940152	218-3798	12
	Exhaust, 4-Valve Cylinder Head, Standard	3940153	218-3799	12
Rocker Arm	Intake, 4-Valve Cylinder Head, Kit With Lever OE# 3941934, Nut OE# 3927692, Screw OE# 3959128, Ball OE# 3942730	3942748	214-2189	6
	Exhaust, 4-Valve Cylinder Head, Kit with Lever OE# 3941937, Nut OE# 3927692, Screw OE# 3959128, Ball OE# 3942730	3942749	214-2190	6
	Intake, Kit With Lever OE# 4995633,3941934, Nut OE# 203131, Screw OE# 3964720, Ball OE# 4994197, Socket OE# 4994198	4995630	214-2191	6
	Exhaust, Kit With Lever OE# 5253889,3941937, Nut OE# 203131, Screw OE# 3964720,4994197	5253888	214-2193	6
Rocker Arm Bridge		3943445	214-1181	12
Rocker Arm Shaft		3966658	230-3058	6
		3941137	230-3059	6

Filters

Spin-on oil filter		3825970	OC 482	1
---------------------------	--	---------	---------------	---

Turbochargers

Turbocharger		see at page 516	183 TC 23538 000	1
	6CTA, Remanufactured	see at page 516	183 TC 23538 100	1
	6BT, 6CT	see at page 521	286 TC 15267 000	1
	6CTA, Freightliner, Encore	see at page 522	286 TC 24929 000	1
		see at page 522	286 TC 31101 000	1
		see at page 522	286 TC 31102 000	1

Camshaft & Timing Components

Camshaft		3923478	229-2435	1
Cam Gear		5284141	8-5512	1

Crankshaft

Crankshaft		3917320	247-5096	1
-------------------	--	---------	-----------------	---

14	4.4880" 543 CID (8.9L) 6 Cyl Engine Code: 'ISL'			14
-----------	---	--	--	-----------

Cylinder Components

Rebore Kit	Pin Not Included	4089613	225-3782	6
-------------------	------------------	---------	-----------------	---

Bearings

Piston Pin Bushing		4944137	223-3726•	6
---------------------------	--	---------	------------------	---

PART	NOTES	OE INTERCHANGE NUMBER	PART NUMBER	PER ENGINE QTY
14 (cont.)	4.4880" 543 CID (8.9L) 6 Cyl Engine Code: 'ISL'			14 (cont.)
Valve Train & Ancillary				
Valve (Intake)	With Locks	3970727 4089761	211-4297	12
	With Locks	3800340 3942588	211-4298	12
Valve (Exhaust)	With Locks	4089762	211-4295	12
	With Locks	3800341 3942589	211-4296	12
Valve Guide	4-Valve Cylinder Head, 0.316" ID, Finished Inner Diameter	3948102	217-4119	24
	4-Valve Cylinder Head, 0.294" ID, Unfinished Inner Diameter	4934063	217-4120	24
Valve Spring	Intake And Exhaust, 2 Green Stripes	4936076	212-1796	24
Valve Seat Insert	Exhaust, 4-Valve Cylinder Head, Standard	3968074	218-3795	12
	Intake, 4-Valve Cylinder Head, Standard	3940152	218-3798	12
	Exhaust, 4-Valve Cylinder Head, Standard	3940153	218-3799	12
Rocker Arm	Intake, 4-Valve Cylinder Head, Kit With Lever OE# 3941934, Nut OE# 3927692, Screw OE# 3959128, Ball OE# 3942730	3942748	214-2189	6
	Exhaust, 4-Valve Cylinder Head, Kit with Lever OE# 3941937, Nut OE# 3927692, Screw OE# 3959128, Ball OE# 3942730	3942749	214-2190	6
	Intake, Kit With Lever OE# 4995633, 3941934, Nut OE# 203131, Screw OE# 3964720, Ball OE# 4994197, Socket OE# 4994198	4995630	214-2191	6
	Intake	4995631	214-2192	6
	Exhaust, Kit With Lever OE# 5253889, 3941937, Nut OE# 203131, Screw OE# 3964720, 4994197	5253888	214-2193	6
Rocker Arm Bridge		3943445	214-1181	12
Rocker Arm Shaft		3941137	230-3059	6
Tappet Guide	Engines With Roller Tappets And Threaded Guide Pin Hole	4944725	213-1794	12

15	4.6250" 352 CID (5.8L) 6 Cyl Engine Codes: 'V352, V6-140, V6-140B'	15
-----------	--	-----------

Cylinder Components

Ring Set	Keystone Top Compression Ring	AR62258	S40856	6
-----------------	-------------------------------	---------	---------------	---

Engine Gaskets

Engine Cylinder Head Gasket Set		3801657	HS3980	1
Engine Conversion Gasket Set	Does Not Include Front And Rear Crankshaft Seals	3801657	CS3980	1
Engine Timing Cover Seal	Crankshaft, Early Models, Tapered Nose	3010457	47543	1

Miscellaneous Gaskets

Injector Tube O-Ring		3007759	GS33571	6
-----------------------------	--	---------	----------------	---

Bearings

Connecting Rod Bearing	Phase 5 Engines	3012360	CB-1631P	6
		157621	CB-1631P-10	
		157622	CB-1631P-20	
		157623	CB-1631P-30	

PART	NOTES	OE INTERCHANGE NUMBER	PART NUMBER	PER ENGINE QTY
15 (cont.)	4.6250" 352 CID (5.8L) 6 Cyl Engine Codes: 'V352, V6-140, V6-140B'			15 (cont.)

Bearings (cont.)

Main Bearing Set	Phase 5 Engine, Contains 4 Piece Thrust Washer Set, Contains Dowel Pins	BM99830	MS-1060P	1
		BM99831	MS-1060P-10	
		BM99832	MS-1060P-20	
		BM99833	MS-1060P-30	
Thrust Washer Set	Contains 4 Pieces	173640	TW-448S	1
Camshaft Bearing Set	Contains OE# 3031037(2), 3278345(2), Phase 5 Engine	See Note	SH-1395S	1
Piston Pin Bushing	Requires Boring	3277332	223-3564	6

Valve Train & Ancillary

Valve (Intake)	.243" Tip To Groove, 1.605" OD, Late Style, Optional Intake Valve For Severe Service, Order Locks Separately, Stellite Face, Valve Only	3275356	211-2450	6
Valve Guide		3278173	217-3289	12
Valve Seat Insert (Intake)		195000	218-7800	6
Valve Lock	Order In Packs Of 8	3275354	216-5215	12

16	4.6250" 378 CID (6.2L) 6 Cyl Small V Series			16
-----------	---	--	--	-----------

Cylinder Components

Piston		AR60740	224-2124	6
Ring Set	Keystone Top Compression Ring	AR62258	S40856	6
	Keystone Top Compression Ring	3278723	S41082	6

Engine Gaskets

Engine Cylinder Head Gasket Set		3801657	HS3980	1
Engine Conversion Gasket Set	Does Not Include Front And Rear Crankshaft Seals	3801657	CS3980	1
Engine Timing Cover Seal	Crankshaft, Early Models, Tapered Nose	3010457	47543	1

Bearings

Connecting Rod Bearing	Phase 5 Engines	3012360	CB-1631P	6
		157621	CB-1631P-10	
		157622	CB-1631P-20	
		157623	CB-1631P-30	
Main Bearing Set	Phase 5 Engine, Contains 4 Piece Thrust Washer Set, Contains Dowel Pins	BM99830	MS-1060P	1
		BM99831	MS-1060P-10	
		BM99832	MS-1060P-20	
		BM99833	MS-1060P-30	
Thrust Washer Set	Contains 4 Pieces	173640	TW-448S	1
Camshaft Bearing Set	Contains OE# 3031037(2), 3278345(2), Phase 5 Engine	See Note	SH-1395S	1
Piston Pin Bushing	Requires Boring	3277332	223-3564	6

Valve Train & Ancillary

Valve (Intake & Exhaust)	.243" Tip To Groove, 1.605" OD, Late Style, Optional Intake Valve For Severe Service, Order Locks Separately, Stellite Face, Valve Only	3275356	211-2450	12
Valve Guide		3278173	217-3289	12
Valve Seat Insert (Intake)		195000	218-7800	6

PART	NOTES	OE INTERCHANGE NUMBER	PART NUMBER	PER ENGINE QTY
16 (cont.)	4.6250" 378 CID (6.2L) 6 Cyl Small V Series			16 (cont.)

Valve Train & Ancillary (cont.)

Valve Lock	Order In Packs Of 8	3275354	216-5215	24
------------	---------------------	---------	----------	----

Filters

Spin-on oil filter		3313289	OC 282	1
Spin-on fuel filter		BM68669 BM78669 BM78672 CF105 D156172	KC 28	1

Crankshaft

Crankshaft		195240	247-5066	1
------------	--	--------	----------	---

17	4.6250" 555 CID (9.1L) 8 Cyl Engine Codes: 'VT225 Big CAM I, VT555C'			17
-----------	--	--	--	-----------

Cylinder Components

Ring Set	Keystone Top Compression Ring	3278723	S41082	8
----------	-------------------------------	---------	--------	---

Engine Gaskets

Engine Cylinder Head Gasket Set	Contains OE# Head Gasket 3017062 And 553019(4) O Rings	3277753	HS3932X	1
Engine Timing Cover Seal	Crankshaft, Early Models, Tapered Nose	3010457	47543	1

Bearings

Connecting Rod Bearing		556350	CB-994P	8
		556351	CB-994P-10	
Main Bearing Set	Contains 4 Piece Thrust Washer Set, Contains Dowel Pins	BM99820	MS-1061P	1
		BM99821	MS-1061P-10	
		BM99822	MS-1061P-20	
		BM99823	MS-1061P-30	
Thrust Washer Set	Contains 4 Pieces	173640	TW-448S	1
Piston Pin Bushing	Requires Boring	555421	223-3565	8

Valve Train & Ancillary

Valve (Intake & Exhaust)	.243" Tip To Groove, 1.605" OD, Late Style, Optional Intake Valve For Severe Service, Order Locks Separately, Stellite Face, Valve Only	3275356	211-2450	32
Valve Guide		3278173	217-3289	32
Valve Seat Insert (Intake)		195000	218-7800	16

Filters

Spin-on oil filter		3313289	OC 282	1
Spin-on fuel filter		BM68669 BM78669 BM78672 CF105 D156172	KC 28	1

18	4.6250" 470 CID (7.7L) 8 Cyl Engine Codes: 'V470, V8-185'			18
-----------	---	--	--	-----------

Cylinder Components

Ring Set	Keystone Top Compression Ring	AR62258	S40856	8
----------	-------------------------------	---------	--------	---



PART	NOTES	OE INTERCHANGE NUMBER	PART NUMBER	PER ENGINE QTY
18 (cont.)	4.6250" 470 CID (7.7L) 8 Cyl Engine Codes: 'V470, V8-185'			18 (cont.)

Cylinder Components (cont.)

Ring Set (cont.)	Keystone Top Compression Ring	3278723	S41082	8
------------------	-------------------------------	---------	---------------	---

Engine Gaskets

Engine Cylinder Head Gasket Set	Contains OE# Head Gasket 3017062 And 553019(4) O Rings	3277753	HS3932X	1
Engine Timing Cover Seal	Crankshaft, Early Models, Tapered Nose	3010457	47543	1

Miscellaneous Gaskets

Injector Tube O-Ring		3007759	GS33571	8
----------------------	--	---------	----------------	---

Bearings

Connecting Rod Bearing	Phase 5 Engines	3012360	CB-1631P	8
		157621	CB-1631P-10	
		157622	CB-1631P-20	
		157623	CB-1631P-30	
Main Bearing Set	Contains 4 Piece Thrust Washer Set, Contains Dowel Pins	BM99820	MS-1061P	1
		BM99821	MS-1061P-10	
		BM99822	MS-1061P-20	
		BM99823	MS-1061P-30	
Thrust Washer Set	Contains 4 Pieces	173640	TW-448S	1
Camshaft Bearing Set	Phase 5 Engine, Contains OE# 3031037(3), 3278345(2)	See Note	SH-1394S	1
Piston Pin Bushing	Requires Boring	3277332	223-3564	8

Valve Train & Ancillary

Valve (Exhaust)	.243" Tip To Groove, 1.605" OD, Late Style, Optional Intake Valve For Severe Service, Order Locks Separately, Stellite Face, Valve Only	3275356	211-2450	16
Valve Guide		3278173	217-3289	32
Valve Seat Insert (Intake)		195000	218-7800	16
Valve Lock	Order In Packs Of 8	3275354	216-5215	32

19	4.6250" 504 CID (8.3L) 8 Cyl; Sleeved Engine Small V Series			19
-----------	---	--	--	-----------

Cylinder Components

Piston		AR60740	224-2124	8
Ring Set	Keystone Top Compression Ring	AR62258	S40856	8
	Keystone Top Compression Ring	3278723	S41082	8

Engine Gaskets

Engine Cylinder Head Gasket Set	Contains OE# Head Gasket 3017062 And 553019(4) O Rings	3277753	HS3932X	1
Engine Timing Cover Seal	Crankshaft, Early Models, Tapered Nose	3010457	47543	1

Bearings

Connecting Rod Bearing	Phase 5 Engines	3012360	CB-1631P	8
		157621	CB-1631P-10	
		157622	CB-1631P-20	
		157623	CB-1631P-30	



PART	NOTES	OE INTERCHANGE NUMBER	PART NUMBER	PER ENGINE QTY
19 (cont.)	4.6250" 504 CID (8.3L) 8 Cyl; Sleeved Engine Small V Series			19 (cont.)

Bearings (cont.)

Main Bearing Set	Contains 4 Piece Thrust Washer Set, Contains Dowel Pins	BM99820	MS-1061P	1
		BM99821	MS-1061P-10	
		BM99822	MS-1061P-20	
		BM99823	MS-1061P-30	
Thrust Washer Set	Contains 4 Pieces	173640	TW-448S	1
Camshaft Bearing Set	Phase 5 Engine, Contains OE# 3031037(3), 3278345(2)	See Note	SH-1394S	1
Piston Pin Bushing	Requires Boring	3277332	223-3564	8

Valve Train & Ancillary

Valve (Intake & Exhaust)	.243" Tip To Groove, 1.605" OD, Late Style, Optional Intake Valve For Severe Service, Order Locks Separately, Stellite Face, Valve Only	3275356	211-2450	16
Valve Guide		3278173	217-3289	16
Valve Seat Insert (Intake)		195000	218-7800	8
Valve Lock	Order In Packs Of 8	3275354	216-5215	8

Filters

Spin-on oil filter		3313289	OC 282	1
Spin-on fuel filter		BM68669 BM78669 BM78672 CF105 D156172	KC 28	1

Crankshaft

Crankshaft		194840	247-5002	1
-------------------	--	--------	-----------------	---

20	4.6250" 555 CID (9.1L) 8 Cyl; Turbocharged Small Cam, Natural Aspirated Engine Codes: 'V555, V8-555, VT225, VT555'			20
-----------	--	--	--	-----------

Cylinder Components

Ring Set	Keystone Top Compression Ring	AR62258	S40856	8
	Keystone Top Compression Ring	3278723	S41082	8

Engine Gaskets

Engine Cylinder Head Gasket Set	Contains OE# Head Gasket 3017062 And 553019(4) O Rings	3277753	HS3932X	1
--	--	---------	----------------	---

Bearings

Connecting Rod Bearing		556350	CB-994P	8
		556351	CB-994P-10	
Main Bearing Set	Contains 4 Piece Thrust Washer Set, Contains Dowel Pins	BM99820	MS-1061P	1
		BM99821	MS-1061P-10	
		BM99822	MS-1061P-20	
		BM99823	MS-1061P-30	
Thrust Washer Set	Contains 4 Pieces	173640	TW-448S	1
Camshaft Bearing Set	Phase 5 Engine, Contains OE# 3031037(3), 3278345(2)	See Note	SH-1394S	1
Piston Pin Bushing	Requires Boring	555421	223-3565	8

Valve Train & Ancillary

Valve (Intake & Exhaust)	.243" Tip To Groove, 1.605" OD, Late Style, Optional Intake Valve For Severe Service, Order Locks Separately, Stellite Face, Valve Only	3275356	211-2450	32
-------------------------------------	---	---------	-----------------	----

PART	NOTES	OE INTERCHANGE NUMBER	PART NUMBER	PER ENGINE QTY
20 (cont.)	4.6250" 555 CID (9.1L) 8 Cyl; Turbocharged Small Cam, Natural Aspirated Engine Codes: 'V555, V8-555, VT225, VT555'			20 (cont.)

Valve Train & Ancillary (cont.)

Valve Guide		3278173	217-3289	32
Valve Seat Insert (Intake)		195000	218-7800	16
Valve Lock	Order In Packs Of 8	3275354	216-5215	16

Filters

Spin-on oil filter		3313289	OC 282	1
Spin-on fuel filter		BM68669 BM78669 BM78672 CF105 D156172	KC 28	1

Crankshaft

Crankshaft		3041263	247-5003	1
-------------------	--	---------	-----------------	---

21	4.8750" 448 CID (7.3L) 4 Cyl; Naturally Aspirated Engine Code: 'H4'			21
-----------	---	--	--	-----------

Engine Gaskets

Rear Main Seal	855 Engines, Viton, Wet Housing, with Starter Mounts at 90 Degrees between #3 and #4 Quadrants	141744	46773	1
	Dry Housing, Teflon	3006737	48068	1

Bearings

Connecting Rod Bearing		203670	CB-296P	4
		203671	CB-296P-10	
		203672	CB-296P-20	
		203673	CB-296P-30	
		203674	CB-296P-40	

22	4.8750" 672 CID (11.0L) 6 Cyl; Naturally Aspirated Engine Codes: 'H6, H672'			22
-----------	---	--	--	-----------

Engine Gaskets

Engine Oil Pan Gasket Set	Premium MP-15 Material, Contains Oil Pan Gasket, O Ring, Suction Flange	3099083	OS21996	1
	Standard Material, Contains Oil Pan Gasket, O Ring, Suction Flange, Seal Ring	3349820	OS32201	1
Rear Main Seal	855 Engines, Viton, Wet Housing, with Starter Mounts at 90 Degrees between #3 and #4 Quadrants	141744	46773	1
	Dry Housing, Teflon	3006737	48068	1

Bearings

Connecting Rod Bearing		203670	CB-296P	6
		203671	CB-296P-10	
		203672	CB-296P-20	
		203673	CB-296P-30	
		203674	CB-296P-40	
Main Bearing Set	Contains 4 Piece Thrust Washer Set, Contains Lockplates	3801260	MS-1687P	1
		3801261	MS-1687P-10	
		3801262	MS-1687P-20	
		3801263	MS-1687P-30	

PART	NOTES	OE INTERCHANGE NUMBER	PART NUMBER	PER ENGINE QTY
22 (cont.)	4.8750" 672 CID (11.0L) 6 Cyl; Naturally Aspirated Engine Codes: 'H6, H672'			22 (cont.)

Bearings (cont.)

Thrust Washer Set	Contains 4 Pieces	3067568	TW-369S	1
		Exclusive	TW-369S+10	
		Exclusive	TW-369S+5	
Camshaft Bearing Set	For Late Small Cam Engines, Four 5/32" Oil Holes, 2.000" Camshaft Bearing Journal Diameter	BM27253	SH-568S	1

23	4.9210" 661 CID (10.8L) 6 Cyl; Turbocharged Engine Code: 'M11, ISM'			23
-----------	---	--	--	-----------

Cylinder Components

Cylinder Sleeve		3803703	226-4546	6
Ring Set		3803977	S41934	6
Sleeve O-Ring Kit		3047188	223-7200	6

Engine Gaskets

Engine Cylinder Head Gasket Set	Standard Engines	4089478	HS54146-2	1
Engine Conversion Gasket Set	For STC and Celect Engines, Wide Block	3800704	CS54132	1
Engine Cylinder Head Gasket		4022500	54146	1
Engine Push Rod Cover Gasket Set	Late Model, Rocker Housing To Head	4070529	VS50422	1
Engine Oil Pan Gasket Set	Wide Block, Contains Oil Pan Gasket, Oil Filter Mounting Bolts(2)	3401290	OS32219	1
Engine Timing Cover Seal		3804744	67622	1

Miscellaneous Gaskets

Accessory Drive Seal	Water Pump Side, External Damper	3803894	67633	1
Fuel Injection Auxiliary Valve O-ring		145504	72018	1
Injector Tube O-Ring	M11 Only	3007759	GS33571	6
Fuel Injection Nozzle O-Ring	Red, White And Blue, Contains OE# 3070136, 3070137 And 3070138	See Note	GS33538	6

Bearings

Connecting Rod Bearing		3016760	CB-1382P	6
		3016761	CB-1382P-.25MM	
		3016762	CB-1382P-.50MM	
		3016763	CB-1382P-.75MM	
Main Bearing Set	Contains 4 Piece Thrust Washer Set	4025125	MS-1716P	1
		3801151	MS-1716P-.25MM	
		3801152	MS-1716P-.50MM	
		3801153	MS-1716P-.75MM	
	From Engine Serial Number 34853316, Tab Design On Lower Thrust Washer	4025120	MS-2318P•	1
		4025121	MS-2318P-.25MM	
		4025122	MS-2318P-.50MM	
		4025123	MS-2318P-.75MM	
Thrust Washer Set	Contains 4 Pieces	3822062	TW-457S	1
		4926017	TW-703S•	1
		4926019		

PART	NOTES	OE INTERCHANGE NUMBER	PART NUMBER	PER ENGINE QTY
23 (cont.)	4.9210" 661 CID (10.8L) 6 Cyl; Turbocharged Engine Code: 'M11, ISM'			23 (cont.)
Bearings (cont.)				
Camshaft Bearing Set		3820566	SH-1773S	1
Camshaft Bearing		3820566	SH-1773	7
Piston Pin Bushing	For Non-Drilled Connecting Rods	3896894	223-3699•	6
Valve Train & Ancillary				
Valve Guide	Intake And Exhaust, Machined For Seal, .3819" ID, .6504" OD, 2.633" Length	3073512	217-4082	24
Turbochargers				
Turbocharger	Truck and Bus	see at page 521	286 TC 21006 000	1
Crankshaft				
Crankshaft		3073707	247-5183	1

24	4.9210" 611 CID (10.0L) 6 Cyl; L10 Natural Aspirated, Turbocharged and Turbocharged w/ Aftercooler. L Series			24
-----------	--	--	--	-----------

Cylinder Components				
Cylinder Sleeve Assembly	.377" Bowl, Contains Pistons With Dual Ni-Resist Inserts, Use To Replace Existing Pistons With Dual Ni-Resist Inserts Or For All Pistons Within Engine Rebuild	see at page 295	226-1851	6
	.425" Bowl, Contains Pistons With Dual Ni-Resist Inserts, Use To Replace Existing Pistons With Dual Ni-Resist Inserts Or For All Pistons Within Engine Rebuild	see at page 295	226-1852	6
Cylinder Sleeve		3803703	226-4546	6
Piston	.377" Bowl, Dual Ni-Resist Inserts, Use To Replace Existing Pistons With Dual Ni-Resist Inserts Or For All Pistons Within Engine Rebuild	3803965	224-2271	6
	.425" Bowl, Dual Ni-Resist Inserts, Use To Replace Existing Pistons With Dual Ni-Resist Inserts Or For All Pistons Within Engine Rebuild	3803967	224-3276	6
Ring Set	Keystone Top Compression Ring	3803961	S41371	6
Sleeve O-Ring Kit		3047188	223-7200	6
Engine Gaskets				
Engine Cylinder Head Gasket Set	For STC and Celect Engines	4025155	HS54146-1	1
	Standard Engines	4089478	HS54146-2	1
Engine Conversion Gasket Set	For STC and Celect Engines, Wide Block	3800704	CS54132	1
	Wide and Narrow Block	3803404	CS54147	1
	Horizontal Pan	Exclusive	CS54147-1	1
Engine Cylinder Head Gasket		4022500	54146	1
Engine Valve Cover Gasket Set	Early Models, L10	3883220	VS50316	1
		3034855	VS50454	1
Engine Push Rod Cover Gasket Set	Late Model, Rocker Housing To Head	4070529	VS50422	1
Valve Stem Seal (Exhaust)	For Older Style L10 Cylinder Heads, Valve Stem Seal is the "Shorter" Exhaust Seal	3073510	B45928	12
Engine Oil Pan Gasket Set	Narrow Block, Contains Oil Pan Gasket, Oil Filter Mounting Bolts(2)	3882433	OS32209	1

PART	NOTES	OE INTERCHANGE NUMBER	PART NUMBER	PER ENGINE QTY
24 (cont.)	4.9210" 611 CID (10.0L) 6 Cyl; L10 Natural Aspirated, Turbocharged and Turbocharged w/ Aftercooler. L Series			24 (cont.)

Engine Gaskets (cont.)

Engine Oil Pan Gasket Set (cont.)	Horizontal Block, Contains Flange Gaskets(3), Cover Plates(2), O Rings(5), Silicone Sealant, Oil Filter Mounting Bolts(2)	3252363	OS32210	1
	Wide Block, Contains Oil Pan Gasket, Oil Filter Mounting Bolts(2)	3401290	OS32219	1
Engine Timing Cover Gasket Set	Seal Kit	3803894 3804304 3804744	JV5017	1
	Timing Cover Gasket And Seal	3058148 3803896	JV5073	1
Engine Timing Cover Seal	L10	3803896	67652	1
Rear Main Seal		3800968	67623	1

Miscellaneous Gaskets

Accessory Drive Seal	Water Pump Side, External Damper	3803894	67633	1
	L10, Injection Pump Side, Internal Damper	3803573	67648	1
	L10, Water Pump Side, Internal Damper	3803574	67650	1
Fuel Injection Auxiliary Valve O-ring		145504	72018	1
Injector Tube O-Ring		3007759	GS33571	6
Fuel Injection Nozzle O-Ring	Red, White And Blue, Contains OE# 3070136, 3070137 And 3070138	See Note	GS33538	6

Bearings

Connecting Rod Bearing		3016760	CB-1382P	6
		3016761	CB-1382P-.25MM	
		3016762	CB-1382P-.50MM	
		3016763	CB-1382P-.75MM	
Main Bearing Set	Contains 4 Piece Thrust Washer Set	4025125	MS-1716P	1
		3801151	MS-1716P-.25MM	
		3801152	MS-1716P-.50MM	
		3801153	MS-1716P-.75MM	
	From Engine Serial Number 34853316, Tab Design On Lower Thrust Washer	4025120	MS-2318P•	1
		4025121	MS-2318P-.25MM	
		4025122	MS-2318P-.50MM	
Thrust Washer Set	Contains 4 Pieces	3822062	TW-457S	1
		4926017 4926019	TW-703S•	1
Camshaft Bearing Set		3820566	SH-1773S	1
Camshaft Bearing		3820566	SH-1773	7
Piston Pin Bushing	For Drilled Connecting Rods	3027105	223-3698	6

Valve Train & Ancillary

Valve (Intake)	Models To 1991 And Including 1991, Valve Only, 1.673" Head Diameter, 6.945" Length, With Dual Spring, Single Spring For Industrial Applications (With "+" In Head)	3801356	211-2748	12
	Models 1991 And Newer, With Single Valve Springs, 1.673" Head Diameter, 7.690" Length, Valve Only, Order Locks Separately	3800638	211-3347	12

PART	NOTES	OE INTERCHANGE NUMBER	PART NUMBER	PER ENGINE QTY
24 (cont.)	4.9210" 611 CID (10.0L) 6 Cyl; L10 Natural Aspirated, Turbocharged and Turbocharged w/ Aftercooler. L Series			24 (cont.)

Valve Train & Ancillary (cont.)

Valve (Exhaust)	1.673" Head Diameter, 250 HP, 6.940" Length, Models 1988-1991, Order Locks Separately, Stellite Face, Valve Only, With Letter "S" In Head	3417713	211-3315	12
	Models 1991 And Newer, With Single Valve Springs, 1.673" Head Diameter, Stellite Face, Valve Only, Order Locks Separately	3800639	211-3316	12
Valve Guide	2.934" Length, Cannot Use Seal, Intake And Exhaust, Tapered Top, Up To 1991 Models, With Dual Valve Springs, Without Seal Relief	3033314	217-3332	24
	Intake And Exhaust, Machined For Seal, .3819" ID, .6504" OD, 2.633" Length	3073512	217-4082	24

Turbochargers

Turbocharger	L10	see at page 516	183 TC 24276 000	1
	LTA10	see at page 516	183 TC 25331 000	1
	LTA10	see at page 521	286 TC 15235 000	1
	L10	see at page 521	286 TC 16102 000	1
	LTA10	see at page 521	286 TC 24275 000	1

Crankshaft

Crankshaft	Short Snout 5 bolt	3819989	247-5133	1
-------------------	--------------------	---------	-----------------	---

25	5.1250" 495 CID (8.1L) 4 Cyl Engine Codes: 'NHC4, NT4'			25
-----------	--	--	--	-----------

Cylinder Components

Cylinder Sleeve Assembly	Piston With "GW" Skirt, Straight Pin Bosses And Solid Pin, Beaded, Press-Fit Sleeve With Crevice Seal	see at page 295	226-1506	4
Cylinder Sleeve	Piston With "GW" Skirt, Straight Pin Bosses And Solid Pin Beaded, 5.832"/5.834" Upper Block Bore Engines, Older Engines May Require Machining To These Dimensions To Prevent Damage To The Crevice Seal During Installation	182020 184400	226-4419	4
Piston		AR7510	224-1538	4
Ring Set	All Keystone Rings	AR12098	S41314	4
Sleeve O-Ring Kit	Contains OE# 215983, 181449, 216879	See Note	223-7142	4

Engine Gaskets

Engine Timing Cover Gasket Set	Contains Gear Cover Gasket, O Rings(2), Accessory Drive Gasket, Timing Cover Seal	3020183	JV5075	1
Rear Main Seal Set	For Use With Flywheel Housings With A 16 Degree Tilt And Starter Mounted 68 Degrees In Quadrant #1, Contains Rear Cover Plate And Rear Main Seal	3006737 3067616	JV1689	1
Rear Main Seal	855 Engines, Viton, Wet Housing, with Starter Mounts at 90 Degrees between #3 and #4 Quadrants	141744	46773	1
	Dry Housing, Teflon	3006737	48068	1

Bearings

Connecting Rod Bearing		203670	CB-296P	4
		203671	CB-296P-10	
		203672	CB-296P-20	
		203673	CB-296P-30	
		203674	CB-296P-40	

PART	NOTES	OE INTERCHANGE NUMBER	PART NUMBER	PER ENGINE QTY
25 (cont.)	5.1250" 495 CID (8.1L) 4 Cyl Engine Codes: 'NHC4, NT4'			25 (cont.)

Bearings (cont.)

Main Bearing Set	For Engines Oiling Thru Block	3801270	MS-1531P	1
		3801271	MS-1531P-10	
		3801272	MS-1531P-20	
Thrust Washer Set	Contains 4 Pieces	3067568	TW-369S	1
		Exclusive	TW-369S+10	
		Exclusive	TW-369S+5	

Valve Train & Ancillary

Valve Guide		66890	217-3606	16
--------------------	--	-------	-----------------	----

26	5.1250" 495 CID (8.1L) 4 Cyl Engine Codes: 'HR4, HRC'			26
-----------	---	--	--	-----------

Cylinder Components

Ring Set	All Keystone Rings	AR12098	S41314	4
Sleeve O-Ring Kit	Contains OE# 215983, 181449, 216879	See Note	223-7142	4

Engine Gaskets

Rear Main Seal	855 Engines, Viton, Wet Housing, with Starter Mounts at 90 Degrees between #3 and #4 Quadrants	141744	46773	1
	Dry Housing, Teflon	3006737	48068	1

Bearings

Connecting Rod Bearing		203670	CB-296P	4
		203671	CB-296P-10	
		203672	CB-296P-20	
		203673	CB-296P-30	
		203674	CB-296P-40	
Main Bearing Set	For Engines Oiling Thru Block	3801270	MS-1531P	1
		3801271	MS-1531P-10	
		3801272	MS-1531P-20	
Thrust Washer Set	Contains 4 Pieces	3067568	TW-369S	1
		Exclusive	TW-369S+10	
		Exclusive	TW-369S+5	

27	5.1250" 743 CID (12.2L) 6 Cyl; Naturally Aspirated Engine Codes: 'H6, H743, HR6, HRF, NH'			27
-----------	---	--	--	-----------

Cylinder Components

Ring Set	All Keystone Rings	AR12098	S41314	6
Sleeve O-Ring Kit	Contains OE# 215983, 181449, 216879	See Note	223-7142	6

Engine Gaskets

Engine Oil Pan Gasket Set	Premium MP-15 Material, Contains Oil Pan Gasket, O Ring, Suction Flange	3099083	OS21996	1
	Standard Material, Contains Oil Pan Gasket, O Ring, Suction Flange, Seal Ring	3349820	OS32201	1
Rear Main Seal	855 Engines, Viton, Wet Housing, with Starter Mounts at 90 Degrees between #3 and #4 Quadrants	141744	46773	1
	Dry Housing, Teflon	3006737	48068	1

PART	NOTES	OE INTERCHANGE NUMBER	PART NUMBER	PER ENGINE QTY
27 (cont.)	5.1250" 743 CID (12.2L) 6 Cyl; Naturally Aspirated Engine Codes: 'H6, H743, HR6, HRF, NH'			27 (cont.)

Bearings

Connecting Rod Bearing		203670	CB-296P	6
		203671	CB-296P-10	
		203672	CB-296P-20	
		203673	CB-296P-30	
		203674	CB-296P-40	
Main Bearing Set	Contains 4 Piece Thrust Washer Set, Contains Lockplates	3801260	MS-1687P	1
		3801261	MS-1687P-10	
		3801262	MS-1687P-20	
		3801263	MS-1687P-30	
Thrust Washer Set	Contains 4 Pieces	3067568	TW-369S	1
		Exclusive	TW-369S+10	
		Exclusive	TW-369S+5	
Camshaft Bearing Set	For Late Small Cam Engines, Four 5/32" Oil Holes, 2.000" Camshaft Bearing Journal Diameter	BM27253	SH-568S	1
Piston Pin Bushing	Requires Boring, Tapered Bushing	187420	223-3545	6

Camshaft & Timing Components

Camshaft	* Please check CPL numbers	3801030	229-1923	1
-----------------	----------------------------	---------	-----------------	---

Crankshaft

Crankshaft		3029341	247-5068	1
-------------------	--	---------	-----------------	---

28	5.1250" 743 CID (12.2L) 6 Cyl Engine Codes: 'N743, NH200, NH220, NHE180, NHE195, NHHRS, NHHRT, NHHRTO, NHHT, NHHTO, NHRS, NHS, NRT, NRTO, NS743, NT6, NT743, NTE235, NTO262, NTO280'			28
-----------	--	--	--	-----------

Cylinder Components

Cylinder Sleeve Assembly	Piston With "GW" Skirt, Straight Pin Bosses And Solid Pin, Beaded, Press-Fit Sleeve With Crevice Seal	see at page 295	226-1506	6
Cylinder Sleeve	Piston With "GW" Skirt, Straight Pin Bosses And Solid Pin Beaded, 5.832"/5.834" Upper Block Bore Engines, Older Engines May Require Machining To These Dimensions To Prevent Damage To The Crevice Seal During Installation	182020 184400	226-4419	6
Piston		AR7510	224-1538	6
Ring Set	All Keystone Rings	AR12098	S41314	6
Sleeve O-Ring Kit	Contains OE# 215983, 181449, 216879	See Note	223-7142	6

Engine Gaskets

Engine Conversion Gasket Set		3802075	CS3488K	1
Intake and Exhaust Manifolds Combination Gasket	Contains Intake Manifold Gasket(3), Exhaust Manifold Gasket(6), Air Crossover Gasket	142234 3020943	MS12242X	1
Engine Oil Pan Gasket Set	Premium MP-15 Material, Contains Oil Pan Gasket, O Ring, Suction Flange	3099083	OS21996	1
	Standard Material, Contains Oil Pan Gasket, O Ring, Suction Flange, Seal Ring	3349820	OS32201	1
Engine Timing Cover Gasket Set	Contains Gear Cover Gasket, O Rings(2), Accessory Drive Gasket, Timing Cover Seal	3020183	JV5075	1
Engine Timing Cover Seal	NH/NT 855 Series, Snub Nosed Crankshaft	3020183	48164	1

PART	NOTES	OE INTERCHANGE NUMBER	PART NUMBER	PER ENGINE QTY
------	-------	-----------------------	-------------	----------------

28 (cont.)	5.1250" 743 CID (12.2L) 6 Cyl Engine Codes: 'N743, NH200, NH220, NHE180, NHE195, NHHRS, NHHRT, NHHRTO, NHHT, NHHTO, NHRS, NHS, NRT, NRTO, NS743, NT6, NT743, NTE235, NTO262, NTO280'			28 (cont.)
----------------------	--	--	--	----------------------

Engine Gaskets (cont.)

Rear Main Seal Set	For Use With Flywheel Housings With A 16 Degree Tilt And Starter Mounted 68 Degrees In Quadrant #1, Contains Rear Cover Plate And Rear Main Seal	3006737 3067616	JV1689	1
Rear Main Seal	855 Engines, Viton, Wet Housing, with Starter Mounts at 90 Degrees between #3 and #4 Quadrants	141744	46773	1
	Dry Housing, Teflon	3006737	48068	1

Bearings

Connecting Rod Bearing		203670	CB-296P	6
		203671	CB-296P-10	
		203672	CB-296P-20	
		203673	CB-296P-30	
		203674	CB-296P-40	
Main Bearing Set	Contains 4 Piece Thrust Washer Set, Contains Lockplates	3801260	MS-1687P	1
		3801261	MS-1687P-10	
		3801262	MS-1687P-20	
		3801263	MS-1687P-30	
Thrust Washer Set	Contains 4 Pieces	3067568	TW-369S	1
		Exclusive	TW-369S+10	
		Exclusive	TW-369S+5	
Camshaft Bearing Set	For Late Small Cam Engines, Four 5/32" Oil Holes, 2.000" Camshaft Bearing Journal Diameter	BM27253	SH-568S	1
Piston Pin Bushing	Requires Boring, Tapered Bushing	187420	223-3545	6
		43067	223-3696	6

Valve Train & Ancillary

Valve Guide		66890	217-3606	24
--------------------	--	-------	-----------------	----

Filters

Spin-on oil filter		3313289	OC 282	1
Spin-on fuel filter		BM68669	KC 28	1
		BM78669		
		BM78672		
		CF105		
		D156172		

Camshaft & Timing Components

Camshaft	* Please check CPL numbers	3801030	229-1923	1
-----------------	----------------------------	---------	-----------------	---

Crankshaft

Crankshaft		3029341	247-5068	1
-------------------	--	---------	-----------------	---

29	5.1250" 1485 CID (24.4L) 12 Cyl Engine Codes: 'VT1486, VT600'			29
-----------	---	--	--	-----------

Cylinder Components

Cylinder Sleeve	Piston With "GW" Skirt, Straight Pin Bosses And Solid Pin Beaded, 5.832"/5.834" Upper Block Bore Engines, Older Engines May Require Machining To These Dimensions To Prevent Damage To The Crevice Seal During Installation	182020 184400	226-4419	12
Ring Set	All Keystone Rings	AR12098	S41314	12
Sleeve O-Ring Kit	Contains OE# 215983, 181449, 216879	See Note	223-7142	12



PART	NOTES	OE INTERCHANGE NUMBER	PART NUMBER	PER ENGINE QTY
29 (cont.)	5.1250" 1485 CID (24.4L) 12 Cyl Engine Codes: 'VT1486, VT600'			29 (cont.)

Valve Train & Ancillary

Valve Guide		66890	217-3606	48
--------------------	--	-------	-----------------	----

30	5.1250" 1485 CID (24.4L) 12 Cyl Engine Codes: 'NVH, NVHS'			30
-----------	---	--	--	-----------

Cylinder Components

Cylinder Sleeve Assembly	Piston With "GW" Skirt, Straight Pin Bosses And Solid Pin, Beaded, Press-Fit Sleeve With Crevice Seal	see at page 295	226-1506	12
Cylinder Sleeve	Piston With "GW" Skirt, Straight Pin Bosses And Solid Pin Beaded, 5.832"/5.834" Upper Block Bore Engines, Older Engines May Require Machining To These Dimensions To Prevent Damage To The Crevice Seal During Installation	182020 184400	226-4419	12
Piston		AR7510	224-1538	12
Ring Set	All Keystone Rings	AR12098	S41314	12
Sleeve O-Ring Kit	Contains OE# 215983, 181449, 216879	See Note	223-7142	12

Valve Train & Ancillary

Valve Guide		66890	217-3606	48
--------------------	--	-------	-----------------	----

31	5.4000" 912 CID (15.0L) 6 Cyl ISX, QSX Series			31
-----------	---	--	--	-----------

Cylinder Components

Cylinder Sleeve		4101507	226-4596	6
Ring Set	Keystone Top And Second Compression Ring	4089154	S42150	6
	Keystone Top Compression Ring	2881682	S42153	6
Piston Pin		4923748	223-1968	6
Lock Ring	2 Per Package	3064305	223-5540	6
Sleeve O-Ring Kit		3678738	223-7216	6

Engine Gaskets

Engine Cylinder Head Gasket Set		4955595	HS54775-1	1
	Exhaust Gas Recirculation (EGR) Engines	4955596	HS54775-2	1
Engine Conversion Gasket Set		4955590	CS54775-1	1
		4955591	CS54775-2	1
Engine Cylinder Head Gasket		3685834	54775	1
Engine Valve Cover Gasket		4026507	VS50625•	1
Engine Valve Stem Seal Set	Intake	4026660	B46021	12
	Exhaust	4026791	B46022	12
Engine Intake Manifold Gasket Set	Contains Intake Manifold Gasket, Turbo Air Bypass Gasket	3678770 3682177	MS19750	1
Exhaust Manifold Gasket Set	For Horizontal and Mid Mounted Turbochargers, Contains Center Exhaust Manifold, Exhaust Manifold End Gasket(4), Exhaust Seal(2)	3682710 3682940 3683940 4907447 4907448	MS19737	1
	Mid And Vertically Mounted Turbochargers, Contains Center Exhaust Manifold, Exhaust Manifold End Gasket(4)	4907447	MS19740	1

PART	NOTES	OE INTERCHANGE NUMBER	PART NUMBER	PER ENGINE QTY
31 (cont.)	5.4000" 912 CID (15.0L) 6 Cyl ISX, QSX Series			31 (cont.)
Engine Gaskets (cont.)				
Engine Oil Pan Gasket Set	Isolation Pan Gasket	4026684	OS32376	1
Engine Timing Cover Seal		4955383	67882	1
Rear Main Seal		4965569	67881	1
Miscellaneous Gaskets				
Turbocharger Mounting Gasket Set	Turbocharger Mounting Gasket Set	3684359	GS33617	1
EGR Valve Gasket	Inlet	3682551	G32485	1
		3104230	G32492	1
EGR Cooler Mounting Set	Installation Set	109080 212161 3049221 3066211 3101268 3102314 3104229 3104230 3678603 3678770 3678925 3680324 3682076 3682360 4010519 4952644	GS33613	1
Engine Camshaft Seal	Front	3411879 3679574 4026523 4101882	B32486	1
		3679932	B32490	1
		3679931	B32491	1
Engine Camshaft Housing Gasket	Rear	3679934	B32487	1
	Rear	4985660	B32488	1
	Front	3679930	B32489	1
Engine Oil Cooler Gasket Set		3104232	B32477	1
Fuel Injection Auxiliary Valve O-ring		3102109	72013	1
		3052586	72022	1
		3042544	72121	1
		70624	72327	1
		3678846	72621	1
Fuel Injection Nozzle O-Ring	Contains OE# Lower 3347937, Upper Lower 3330538, Upper Mid 3330537 And Upper 3347939	See Note	GS33609	1
Bearings				
Connecting Rod Bearing	Machined Connecting Rod Only.(Connecting Rod 4059429)	4089405	CB-1908P	6
		4090016	CB-1908P-.25MM	
		4090017	CB-1908P-.50MM	

PART	NOTES	OE INTERCHANGE NUMBER	PART NUMBER	PER ENGINE QTY
31 (cont.)	5.4000" 912 CID (15.0L) 6 Cyl ISX, QSX Series			31 (cont.)

Bearings (cont.)

Main Bearing Set		3800298	MS-2297P•	1
		4089845	MS-2297P-.25MM	
		4089846	MS-2297P-.50MM	
Thrust Washer Set	3680202 Thrust Washer Set	3680202	TW-691S	1
Camshaft Bearing	Left Bank, Injector Camshaft, 4 Required	36 805 80	SH-2136	4
	Left Bank, Injector Camshaft Bushing, 3 Required	36 805 81	SH-2137	3
	Right Bank, Valve Camshaft, 7 Required	40 264 23	SH-2138	7

Turbochargers

Turbocharger	QSX, ISX, Enforcer MF S4	see at page 521	286 TC 21001 000	1
		see at page 521	286 TC 21201 000•	1
	QSX, ISX	see at page 522	286 TC 25444 000	1
Turbocharger Service Kit	Turbocharger Service Kit, Service Kit for Turbocharger 286 TC 21201 000	See Note	286 TS 21201 000•	1

Crankshaft

Crankshaft		4925762	247-5237•	1
-------------------	--	---------	------------------	---

32	5.5000" 588 CID (9.6L) 6 Cyl Engine Codes: 'V588, V6-200, VT588'			32
-----------	--	--	--	-----------

Cylinder Components

Ring Set	3 Ring Piston, Keystone Top Compression Ring, Steel Oil Ring	4089793	S41885	6
-----------------	--	---------	---------------	---

Miscellaneous Gaskets

Injector Tube O-Ring		3007759	GS33571	6
-----------------------------	--	---------	----------------	---

Bearings

Piston Pin Bushing	Requires Boring, Tapered Bushing	187420	223-3545	6
---------------------------	----------------------------------	--------	-----------------	---

Valve Train & Ancillary

Valve Guide		138937	217-3210	12
--------------------	--	--------	-----------------	----

33	5.5000" 855 CID (14.0L) 6 Cyl; Turbocharged-Aftercooled NT Series			33
-----------	---	--	--	-----------

Cylinder Components

Cylinder Sleeve Assembly	Premium Sleeve Assembly, Standard Sleeve	see at page 295	226-1646	6
	Premium Plus Sleeve Assembly, Standard Sleeve	see at page 296	226-1745	6
	Premium Sleeve Assembly, Standard Sleeve	see at page 296	226-1747	6
	Premium Plus Sleeve Assembly, Standard Sleeve	see at page 296	226-1748	6
		see at page 296	226-1749	6
		see at page 296	226-1750	6
	Premium Plus Sleeve Assembly, Standard Sleeve	see at page 296	226-1760	6
	Premium Sleeve Assembly, Standard Sleeve	see at page 296	226-1769	6
	Premium Sleeve Assembly, Standard Sleeve	see at page 296	226-1770	6
	Premium Sleeve Assembly, Standard Sleeve	see at page 296	226-1771	6

PART	NOTES	OE INTERCHANGE NUMBER	PART NUMBER	PER ENGINE QTY
33 (cont.)	5.5000" 855 CID (14.0L) 6 Cyl; Turbocharged-Aftercooled NT Series			33 (cont.)

Cylinder Components (cont.)

Cylinder Sleeve Assembly (cont.)	For 0.020"/0.040" Version See 226-1884, Premium Sleeve Assembly, Standard Sleeve	see at page 296	226-1772	6
	Premium Sleeve Assembly, Standard Sleeve	see at page 296	226-1773	6
	Premium Sleeve Assembly, Standard Sleeve	see at page 296	226-1774	6
	Premium Plus Sleeve Assembly, Standard Sleeve	see at page 296	226-1775	6
	.020"/.040" Oversize Lower Press Fit Sleeve, Premium Plus Sleeve Assembly	see at page 296	226-1792	6
	.020"/.040" Oversize Lower Press Fit Sleeve, Premium Plus Sleeve Assembly	see at page 296	226-1793	6
	.020"/.040" Oversize Lower Press Fit Sleeve, Premium Plus Sleeve Assembly	see at page 296	226-1794	6
	.020"/.040" Oversize Lower Press Fit Sleeve, Premium Plus Sleeve Assembly	see at page 297	226-1796	6
	Dual Ni-Resist Piston Sleeve Assembly, Standard Sleeve	see at page 297	226-1821	6
	.020"/.040" Oversize Lower Press Fit Sleeve, Dual Ni-Resist Piston Sleeve Assembly	see at page 297	226-1822	6
	Dual Ni-Resist Piston Sleeve Assembly, Standard Sleeve	see at page 297	226-1831	6
	.020"/.040" Oversize Lower Press Fit Sleeve, Dual Ni-Resist Piston Sleeve Assembly	see at page 297	226-1832	6
	Dual Ni-Resist Piston Sleeve Assembly, Standard Sleeve	see at page 297	226-1833	6
	.020"/.040" Oversize Lower Press Fit Sleeve, Dual Ni-Resist Piston Sleeve Assembly	see at page 297	226-1834	6
	Dual Ni-Resist Piston Sleeve Assembly, Standard Sleeve	see at page 297	226-1835	6
	.020"/.040" Oversize Lower Press Fit Sleeve, Dual Ni-Resist Piston Sleeve Assembly	see at page 297	226-1836	6
	Dual Ni-Resist Piston Sleeve Assembly, Standard Sleeve	see at page 297	226-1837	6
	Dual Ni-Resist Piston Sleeve Assembly, Standard Sleeve	see at page 297	226-1839	6
	.020"/.040" Oversize Lower Press Fit Sleeve, Dual Ni-Resist Piston Sleeve Assembly	see at page 297	226-1840	6
	Dual Ni-Resist Piston Sleeve Assembly, For 0.020"/0.040" Version See 226-1842, Standard Sleeve	see at page 297	226-1841	6
	.020"/.040" Oversize Lower Press Fit Sleeve, Dual Ni-Resist Piston Sleeve Assembly, Piston OE# 3052794, Sleeve OE# 3065405, Ring OE# 4089811	see at page 297	226-1842	6
	.020"/.040" Oversize Lower Press Fit Sleeve, Premium Sleeve Assembly	see at page 297	226-1847	6
	.020"/.040" Oversize Lower Press Fit Sleeve, Premium Sleeve Assembly	see at page 297	226-1848	6
	.020"/.040" Oversize Lower Press Fit Sleeve, Premium Sleeve Assembly	see at page 298	226-1860	6
	.020"/.040" Oversize Lower Press Fit Sleeve, Premium Sleeve Assembly	see at page 298	226-1862	6
	.020"/.040" Oversize Lower Press Fit Sleeve, Premium Plus Sleeve Assembly	see at page 298	226-1873	6
	.020"/.040" Oversize Lower Press Fit Sleeve, Premium Sleeve Assembly	see at page 298	226-1883	6
.020"/.040" Oversize Lower Press Fit Sleeve, Premium Sleeve Assembly	see at page 298	226-1884	6	

PART	NOTES	OE INTERCHANGE NUMBER	PART NUMBER	PER ENGINE QTY
33 (cont.)	5.5000" 855 CID (14.0L) 6 Cyl; Turbocharged-Aftercooled NT Series			33 (cont.)
Cylinder Components (cont.)				
Cylinder Sleeve Assembly (cont.)	3 Ring Piston Single NI Upgraded Rings, C3 Premium Plus Sleeve Assembly, Standard Sleeve	see at page 298	226-1905	6
	.020"/.040" Oversize Lower Press Fit Sleeve, 3 Ring Piston Upgraded Rings, C3 Premium Plus Sleeve Assembly	see at page 298	226-1907	6
Cylinder Sleeve	Standard Sleeve, .355" Flange Thickness, 6.565" Flange Diameter, 6.297" Pilot, Identification Mark: None Below O-Ring Groove, Bare Sleeve OE# 3055099, OE# 3801826 Sleeve Assembly (Includes O-Rings)	3801826	226-4414	6
	.020" Oversized Upper Press Fit Sleeve, Flange Diameter Is .020" Larger, Flange Thickness Is .010" Greater Than Standard Sleeve, .365" Flange Thickness, 6.585" Flange Diameter, 6.297" Pilot, Identification Mark: Square Outer Diameter Groove Below O-Ring Grooves, Bare Sleeve OE# 304635, Sleeve Assembly (Includes O-Rings) OE# 3801387	3046325	226-4477	6
	.020"/.040" Oversize Lower Press Fit Sleeve, .375" Flange Thickness, 6.585" Flange Diameter, 6.337" Pilot, Identification Mark: Radius Outer Diameter Groove Below O-Ring Grooves, Bare Sleeve OE# 3065405, Sleeve Assembly (Includes O-Rings) OE# 3803219	3065405	226-4486	6
Cylinder Block Repair Bushing	Lower Bore Repair Sleeve, 6.255" OD, 1.750" Height, 6.095" ID	Exclusive	223-3601	6
	Counterbore Repair Sleeve, Semi-Finished Inner Diameter, Lower Press Fit, 6.755" OD, .751" Height, 6.545" Counterbore ID, Counterbore Depth .338", 6.273" Pilot ID	202227	223-8133	6
	Counterbore Repair Sleeve, Lower Press Fit, 6.755" OD, .751" Height	3822959	223-8147	6
Piston		3017349	224-2144	6
		3028685	224-2197	6
		3801535	224-2262	6
		3804414	224-2339	6
		3801876	224-2340	6
		3801766	224-2341	6
		3801703	224-2342	6
		3801393	224-2343	6
		3801773	224-2344	6
		3803344	224-2743	6
		3801954	224-2818	6
		3801534	224-2819	6
		3801820	224-2820	6
		3801819	224-2821	6
		3801818	224-2822	6
		3801744	224-2823	6
	.984" Bowl, Standard Engines	3917707	224-3012	6
		3801533	224-3249	6
	Aluminum Piston	3803758	224-3284	6
	3804414	224-3289	6	
Aluminum Piston	3081268	224-3290	6	
Ring Set		3803990	S41886	6
	3 Ring Premium Plus, For Formula And Highly Loaded Pre-Big CAM IV Engines Operated Mainly At 1800 RPM or Higher Speeds, Or Those Equipped With Compression Brakes	4089489	S41887	6

PART	NOTES	OE INTERCHANGE NUMBER	PART NUMBER	PER ENGINE QTY
33 (cont.)	5.5000" 855 CID (14.0L) 6 Cyl; Turbocharged-Aftercooled NT Series			33 (cont.)
Cylinder Components (cont.)				
Ring Set (cont.)	4 Ring Premium, For Engines Primarily Operated At Higher Speeds (2100 RPM), Seldom Highly Loaded At Lower Speeds, Steel Oil Ring	4089810	S41888	6
	4 Ring Premium Plus, For Formula And Highly Loaded Pre-Big CAM IV Engines Operated Mainly At 1800 RPM or Higher Speeds, Or Those Equipped With Compression Brakes, Steel Oil Ring	4089811	S41889	6
Piston Pin		191970	223-1826	6
Sleeve O-Ring Kit		3032874	223-7077	6
Sealing Shim	.0205" Thick, For Use With 226-4486, 6 Per Package	3065406	223-8012	1
	.0200" Thick, For Use With 226-4414, 6 Per Package	3054948	223-8014	1
Engine Gaskets				
Engine Cylinder Head Gasket Set	Single Cylinder Head Set, Contains 54224 Head Gaskets, For Non FFC	4024957	HS5858-1	3
	Single Cylinder Head Set, Contains 54123 Head Gaskets, Small Cam, Big Cam I, II, III	4024958	HS5858-15	3
	Complete Head Set, Contains 54123 Head Gaskets, For, Big Cam IV, NTC-400 and Below with Fixed Timing	4024920	HS5858-16	1
	Complete Head Set, Contains 54224 Head Gaskets, For, Small Cam, Big Cam I, II, III	3804276	HS5858-3	1
	Similar to HS5858-3 with N14 Celastic Head Gasket	4024945 4024946	HS5858-4•	1
	Complete Head Set, For, 88NT Big Cam IV	4024918	HS5858A	1
	Complete Head Set, Contains 54123 Head Gaskets, For STC and G855 Engines	4089368	HS5858AH	1
	Complete Head Set, Contains 54123 Head Gaskets, For, STC/MVT Big Cam IV	4024919	HS5858B	1
Engine Conversion Gasket Set	NHF 240-265, NTC 290-335-350, PT 270-300-330, NTA 370-400-420, NTC 380-400-425 Small Cam	3014459	CS5858-13	1
	88 BCIV	3803041	CS5858-3	1
	NTC 270-290-300-350-400 Big Cam I and II Engines	3801468	CS5858-4	1
	NTC 270-300-350-400 Big Cam III Engine	3801235	CS5858-5	1
	NTC 270-300-350-400 Big Cam IV Standard	3801454	CS5858-6	1
	Order the Liner O-Rings Separate	3801470	CS5858-9	1
In-frame Overhaul Set	For, Small Cam, Big Cam I, II, III	3099083 3804276	EK3518-1	1
	Contains 54123 Head Gaskets	3804276	EK3518-2	1
	Contains 54123 Head Gaskets, For, 300-350-400 Big Cam IV, With Fixed Timing	3801332 3801451	EK3520-1	1
	Contains 54123 Head Gaskets, For, STC/MVT Big Cam IV	3099083 4024920	EK3522VR	1
	For, 88NT Big Cam IV	3349820 3803040	EK3523VR	1
Engine Cylinder Head Gasket	Rubber Edged Molded Head Gasket	4058790	54123	3
	Old 855 Style Head Gasket, Not To Be Used On N14 Applications	3074982	54224	3

PART	NOTES	OE INTERCHANGE NUMBER	PART NUMBER	PER ENGINE QTY
33 (cont.)	5.5000" 855 CID (14.0L) 6 Cyl; Turbocharged-Aftercooled NT Series			33 (cont.)

Engine Gaskets (cont.)

Engine Valve Cover Gasket Set	Rocker Housing To Head	3017750	VS28794	1
	Late Design, Tuff-Cork, Valve Cover To Rocker Housing	3054841	VS38793TC•	1
	Big Cam IV	3058532	VS50424	1
Engine Valve Cover Gasket	G855, N14	4058981	VS50320	3
	G855, N14	3066311	VS50321	3
Engine Push Rod Cover Gasket Set	Big Cam IV	3049187	VS50420	1
Valve Stem Seal (Intake)	Intake and Exhaust Valve Stem Seal	156641	B45977	12
Valve Stem Seal (Exhaust)	Intake and Exhaust Valve Stem Seal	156641	B45977	12
Intake and Exhaust Manifolds Combination Gasket	Contains Intake Manifold Gasket(3), Exhaust Manifold Gasket(6), Air Crossover Gasket	142234 3020943	MS12242X	1
Engine Oil Pan Gasket Set	Premium MP-15 Material, Contains Oil Pan Gasket, O Ring, Suction Flange	3099083	OS21996	1
	Standard Material, Contains Oil Pan Gasket, O Ring, Suction Flange, Seal Ring	3349820	OS32201	1
Engine Timing Cover Seal	Crankshaft, Early Models, Tapered Nose	3010457	47543	1
	NH/NT 855 Series, Snub Nosed Crankshaft	3020183	48164	1
Rear Main Seal Set	For Use With Flywheel Housings With A 16 Degree Tilt And Starter Mounted 68 Degrees In Quadrant #1, Contains Rear Cover Plate And Rear Main Seal	3006737 3067616	JV1689	1
Rear Main Seal	855 Engines, Viton, Wet Housing, with Starter Mounts at 90 Degrees between #3 and #4 Quadrants	141744	46773	1
	Dry Housing, Teflon	3006737	48068	1

Miscellaneous Gaskets

Engine Coolant Thermostat Seal	Packaged in Quantities of 20	186780	GS27706	20
Accessory Drive Seal	NH/NT Camshaft Seal	3004316	47542	1
Turbocharger Gasket	Order in Packs of 10	3069177	GS30376	1
Fuel Injection Auxiliary Valve O-ring	NH/NT 855 Series, Thermostat Seal	43463A	72222	1
Injector Tube O-Ring		3007759	GS33571	6

Bearings

Connecting Rod Bearing	3.3160"/3.3165" Connecting Rod Housing Bore, Big Cam Connecting Rod Bearings	214950	CB-1226P	6
		214951	CB-1226P-10	
		214952	CB-1226P-20	
		214953	CB-1226P-30	
		214954	CB-1226P-40	
	3.2725"/3.2730" Connecting Rod Housing Bore, Small Cam Connecting Rod Bearings	203660	CB-625P	6
		203661	CB-625P-10	
		203662	CB-625P-20	
		203663	CB-625P-30	

PART	NOTES	OE INTERCHANGE NUMBER	PART NUMBER	PER ENGINE QTY
33 (cont.)	5.5000" 855 CID (14.0L) 6 Cyl; Turbocharged-Aftercooled NT Series			33 (cont.)

Bearings (cont.)

Main Bearing Set	Contains 4 Piece Thrust Washer Set, Contains Lockplates	3801260	MS-1687P	1
		3801261	MS-1687P-10	
		3801262	MS-1687P-20	
		3801263	MS-1687P-30	
Thrust Washer Set	Contains 4 Pieces	3067568	TW-369S	1
		Exclusive	TW-369S+10	
		Exclusive	TW-369S+5	
Camshaft Bearing Set	For Late Big Cam Engines, 2.500" Camshaft Bearing Journal Diameter	3801106	SH-1529S	1
	For Late Small Cam Engines, Four 5/32" Oil Holes, 2.000" Camshaft Bearing Journal Diameter	BM27253	SH-568S	1
Piston Pin Bushing	Requires Boring, Tapered Bushing	187420	223-3545	6

Valve Train & Ancillary

Valve (Exhaust)	1.870" Head Diameter, Order Locks Separately, Stellite Face, Valve Only, With Letter "S" Or "J" In Head	145701	211-1945	12
Valve (Intake & Exhaust)	1.870" Head Diameter, Hi Nickel Content Valve, Late Style, Letter "N" In Head, Order Locks Separately, Valve Only	3040830	211-2689	24
Valve Guide	Do Not Use Component In New Big Cam IV Or 88NT Engines	3006456	217-3916	24
Valve Seat Insert (Intake And Exhaust)		3017759	218-3732	24
		3032285	218-3732.003	
		3032287	218-3732.010	
		3054600	218-8010	24
Oil Pump	Big Cam II, III, And IV	AR10172	601-8034	1
	Small Cam And Big Cam I	3609837	601-8035	1

Filters

Spin-on oil filter		3313289	OC 282	1
		3825970	OC 482	1
Spin-on fuel filter		BM68669 BM78669 BM78672 CF105 D156172	KC 28	1

Turbochargers

Turbocharger	NTA-855, NTCC-350, NTC-350 Series	see at page 516	183 TC 24517 000	1
	NTA-855, NTC-855 Series	see at page 516	183 TC 24518 000	1
	NT-855, NTC-855 Series	see at page 516	183 TC 24519 000	1
	NTA400	see at page 516	183 TC 24562 000	1
	B Series, NT, NH, V12, G28, V28	see at page 516	183 TC 24563 000	1
	8970 Tractor, NTA-855 Engines	see at page 516	183 TC 24564 000	1
	NT, NH, NTC-400	see at page 516	213TC18235000	1
	NTC 230, 300, 315, 444	see at page 521	286 TC 24516 000	1
	NT, N14, Euro 1 Industrial, Euro 2 Industrial	see at page 522	286 TC 24557 000	1

Camshaft & Timing Components

Camshaft	* Please check CPL numbers	3049024	229-1874	1
	* Please check CPL numbers	3801030	229-1923	1

PART	NOTES	OE INTERCHANGE NUMBER	PART NUMBER	PER ENGINE QTY
------	-------	-----------------------	-------------	----------------

33 (cont.)	5.5000" 855 CID (14.0L) 6 Cyl; Turbocharged-Aftercooled NT Series			33 (cont.)
----------------------	---	--	--	----------------------

Camshaft & Timing Components (cont.)

Camshaft (cont.)	* Please check CPL numbers	3801448	229-2233	1
Crankshaft				
Crankshaft	Bull Nose	3608833	247-5001	1
	Tapered Nose	3029340	247-5049	1

34	5.5000" 855 CID (14.0L) 6 Cyl; Turbocharged Engine Codes: 'G855, GTA855'			34
-----------	--	--	--	-----------

Cylinder Components

Cylinder Sleeve Assembly		see at page 298	226-1863	6
Cylinder Sleeve	Standard Sleeve, .355" Flange Thickness, 6.565" Flange Diameter, 6.297" Pilot, Identification Mark: None Below O-Ring Groove, Bare Sleeve OE# 3055099, OE# 3801826 Sleeve Assembly (Includes O-Rings)	3801826	226-4414	6
	.020" Oversized Upper Press Fit Sleeve, Flange Diameter Is .020" Larger, Flange Thickness Is .010" Greater Than Standard Sleeve, .365" Flange Thickness, 6.585" Flange Diameter, 6.297" Pilot, Identification Mark: Square Outer Diameter Groove Below O-Ring Grooves, Bare Sleeve OE# 304635, Sleeve Assembly (Includes O-Rings) OE# 3801387	3046325	226-4477	6
	.020"/.040" Oversize Lower Press Fit Sleeve, .375" Flange Thickness, 6.585" Flange Diameter, 6.337" Pilot, Identification Mark: Radius Outer Diameter Groove Below O-Ring Grooves, Bare Sleeve OE# 3065405, Sleeve Assembly (Includes O-Rings) OE# 3803219	3065405	226-4486	6
Cylinder Block Repair Bushing	Lower Bore Repair Sleeve, 6.255" OD, 1.750" Height, 6.095" ID	Exclusive	223-3601	6
	Counterbore Repair Sleeve, Semi-Finished Inner Diameter, Lower Press Fit, 6.755" OD, .751" Height, 6.545" Counterbore ID, Counterbore Depth .338", 6.273" Pilot ID	202227	223-8133	6
	Counterbore Repair Sleeve, Lower Press Fit, 6.755" OD, .751" Height	3822959	223-8147	6
Piston		AR3560	224-3269	6
Ring Set		3803990	S41886	6
	3 Ring Premium Plus, For Formula And Highly Loaded Pre-Big CAM IV Engines Operated Mainly At 1800 RPM or Higher Speeds, Or Those Equipped With Compression Brakes	4089489	S41887	6
Sleeve O-Ring Kit		3032874	223-7077	6

Engine Gaskets

Engine Cylinder Head Gasket Set	Complete Head Set, Contains 54123 Head Gaskets, For STC and G855 Engines	4089368	HS5858AH	1
Engine Valve Cover Gasket	G855, N14	4058981	VS50320	3
	G855, N14	3066311	VS50321	3
Engine Timing Cover Seal	Crankshaft, Early Models, Tapered Nose	3010457	47543	1
Rear Main Seal	Dry Housing, Teflon	3006737	48068	1

Miscellaneous Gaskets

Engine Coolant Thermostat Seal	Packaged in Quantities of 20	186780	GS27706	20
--------------------------------	------------------------------	--------	---------	----



PART	NOTES	OE INTERCHANGE NUMBER	PART NUMBER	PER ENGINE QTY
34 (cont.)	5.5000" 855 CID (14.0L) 6 Cyl; Turbocharged Engine Codes: 'G855, GTA855'			34 (cont.)
Bearings				
Connecting Rod Bearing	3.3160"/3.3165" Connecting Rod Housing Bore, Big Cam Connecting Rod Bearings	214950	CB-1226P	6
		214951	CB-1226P-10	
		214952	CB-1226P-20	
		214953	CB-1226P-30	
		214954	CB-1226P-40	
	3.2725"/3.2730" Connecting Rod Housing Bore, Small Cam Connecting Rod Bearings	203660	CB-625P	6
		203661	CB-625P-10	
		203662	CB-625P-20	
		203663	CB-625P-30	
	Main Bearing Set	Contains 4 Piece Thrust Washer Set, Contains Lockplates	3801260	MS-1687P
3801261			MS-1687P-10	
3801262			MS-1687P-20	
3801263			MS-1687P-30	
Thrust Washer Set	Contains 4 Pieces	3067568	TW-369S	1
		Exclusive	TW-369S+10	
		Exclusive	TW-369S+5	
Camshaft Bearing Set	For Late Big Cam Engines, 2.500" Camshaft Bearing Journal Diameter	3801106	SH-1529S	1
	For Late Small Cam Engines, Four 5/32" Oil Holes, 2.000" Camshaft Bearing Journal Diameter	BM27253	SH-568S	1
Piston Pin Bushing	Requires Boring, Tapered Bushing	187420	223-3545	6
Valve Train & Ancillary				
Valve Guide	Do Not Use Component In New Big Cam IV Or 88NT Engines	3006456	217-3916	24
Crankshaft				
Crankshaft	Bull Nose	3608833	247-5001	1
	Tapered Nose	3029340	247-5049	1
35	5.5000" 855 CID (14.0L) 6 Cyl; Turbocharged-Aftercooled N14 Series			35
Cylinder Components				
Cylinder Sleeve Assembly	For .020"/.040" Version See 226-1908, Aluminum Piston	see at page 298	226-1903	6
	Aluminum Piston	see at page 298	226-1908	6
	Aluminum Piston, For .020"/.040" Version See 226-1912	see at page 298	226-1911	6
	Aluminum Piston	see at page 298	226-1912	6
	Steel Crown Articulated Piston, High Compression	see at page 298	226-2039	6
	Steel Crown Articulated Piston, Low Compression	see at page 298	226-2040	6
	Steel Crown Articulated Piston	see at page 299	226-2041	6
Cylinder Sleeve	Standard Sleeve, .355" Flange Thickness, 6.565" Flange Diameter, 6.297" Pilot, Identification Mark: None Below O-Ring Groove, Bare Sleeve OE# 3055099, OE# 3801826 Sleeve Assembly (Includes O-Rings)	3801826	226-4414	6

PART	NOTES	OE INTERCHANGE NUMBER	PART NUMBER	PER ENGINE QTY
35 (cont.)	5.5000" 855 CID (14.0L) 6 Cyl; Turbocharged-Aftercooled N14 Series			35 (cont.)
Cylinder Components (cont.)				
Cylinder Sleeve (cont.)	.020" Oversized Upper Press Fit Sleeve, Flange Diameter Is .020" Larger, Flange Thickness Is .010" Greater Than Standard Sleeve, .365" Flange Thickness, 6.585" Flange Diameter, 6.297" Pilot, Identification Mark: Square Outer Diameter Groove Below O-Ring Grooves, Bare Sleeve OE# 304635, Sleeve Assembly (Includes O-Rings) OE# 3801387	3046325	226-4477	6
	.020"/.040" Oversize Lower Press Fit Sleeve, .375" Flange Thickness, 6.585" Flange Diameter, 6.337" Pilot, Identification Mark: Radius Outer Diameter Groove Below O-Ring Grooves, Bare Sleeve OE# 3065405, Sleeve Assembly (Includes O-Rings) OE# 3803219	3065405	226-4486	6
Cylinder Block Repair Bushing	Lower Bore Repair Sleeve, 6.255" OD, 1.750" Height, 6.095" ID	Exclusive	223-3601	6
	Counterbore Repair Sleeve, Semi-Finished Inner Diameter, Lower Press Fit, 6.755" OD, .751" Height, 6.545" Counterbore ID, Counterbore Depth .338", 6.273" Pilot ID	202227	223-8133	6
	Counterbore Repair Sleeve, Lower Press Fit, 6.755" OD, .751" Height	3822959	223-8147	6
Piston	Aluminum Piston	3803758	224-3284	6
	Aluminum Piston	3081268	224-3290	6
	Steel Crown Articulated Piston, High Compression, Includes Crown, Skirt, Pin And Locks, Contains Crown OE# 3087634 <i>* Please check CPL numbers</i>	3803741	224-3775	6
	Steel Crown Articulated Piston, Low Compression, Includes Crown, Skirt, Pin And Locks, Contains Crown OE# 3087635 <i>* Please check CPL numbers</i>	3803739	224-3776	6
	Steel Crown Articulated Piston, Includes Crown, Skirt, Pin And Locks, Contains Crown OE# 3865113 <i>* Please check CPL numbers</i>	3804630	224-3777	6
Piston Crown	Steel Crown Articulated Piston, High Compression	3087634	224-3771X	6
	Steel Crown Articulated Piston, Low Compression	3087635	224-3772X	6
	Steel Crown Articulated Piston	3865113	224-3773X	6
Piston Skirt	Skirt Only	Exclusive	224-3774X	6
Ring Set		3803990	S41886	6
	3 Ring Premium Plus, For Formula And Highly Loaded Pre-Big CAM IV Engines Operated Mainly At 1800 RPM or Higher Speeds, Or Those Equipped With Compression Brakes	4089489	S41887	6
Piston Pin		3064304	223-1960	6
Lock Ring	2 Per Package	3064305	223-5540	6
Sleeve O-Ring Kit		3032874	223-7077	6
Sealing Shim	.0205" Thick, For Use With 226-4486, 6 Per Package	3065406	223-8012	1

Engine Gaskets

Engine Cylinder Head Gasket Set	Complete Head Set, Select	4089371	HS54123	1
	Single Cylinder Head Set, Select, With External Oil Manifolds	4089369	HS54123-1	3
	Single Cylinder Head Set, Select	4089370	HS54123-2	3
	Single Cylinder Head Set, Select, Select Plus	4089372	HS54123-4	3
	Complete Head Set, For Non FFC	4024955	HS54123-5	1

PART	NOTES	OE INTERCHANGE NUMBER	PART NUMBER	PER ENGINE QTY
35 (cont.)	5.5000" 855 CID (14.0L) 6 Cyl; Turbocharged-Aftercooled N14 Series			35 (cont.)
Engine Gaskets (cont.)				
Engine Cylinder Head Gasket Set (cont.)	Complete Head Set, Contains 54123 Head Gaskets, For STC and G855 Engines	4089368	HS5858AH	1
Engine Conversion Gasket Set	Small Shaft Accessory Drive	4025069	CS54123-1	1
	Large Shaft Accessory Drive	4025068	CS54123-2	1
In-frame Overhaul Set	Injector O-Rings Included	3070136 3070137 3070138	EK3539	1
Engine Cylinder Head Gasket	Rubber Edged Molded Head Gasket	4058790	54123	3
Engine Valve Cover Gasket	G855, N14	4058981	VS50320	3
	G855, N14	3066311	VS50321	3
Engine Valve Stem Seal Set	Intake And Exhaust	3064281	B45894	24
Intake and Exhaust Manifolds Combination Gasket	Contains Intake Manifold Gasket(3), Exhaust Manifold Gasket(6), Air Crossover Gasket	142234 3020943	MS12242X	1
Engine Oil Pan Gasket Set	Premium MP-15 Material, Contains Oil Pan Gasket, O Ring, Suction Flange	3099083	OS21996	1
	Standard Material, Contains Oil Pan Gasket, O Ring, Suction Flange, Seal Ring	3349820	OS32201	1
Engine Timing Cover Seal	NH/NT 855 Series, Snub Nosed Crankshaft	3020183	48164	1
Rear Main Seal Set	For Use With Flywheel Housings With A 16 Degree Tilt And Starter Mounted 68 Degrees In Quadrant #1, Contains Rear Cover Plate And Rear Main Seal	3006737 3067616	JV1689	1
Rear Main Seal	855 Engines, Viton, Wet Housing, with Starter Mounts at 90 Degrees between #3 and #4 Quadrants	141744	46773	1
Miscellaneous Gaskets				
Jacobs Brake Gasket Set		4920093	VS50579	3
Accessory Drive Seal		3803720	67658	1
Turbocharger Gasket	Order in Packs of 10	3069177	GS30376	1
Fuel Injection Nozzle O-Ring	Red, White And Blue, Contains OE# 3070136, 3070137 And 3070138	See Note	GS33538	6
Bearings				
Connecting Rod Bearing		3055145	CB-1616P	6
		3055146	CB-1616P-10	
		3055147	CB-1616P-20	
Main Bearing Set	Contains 4 Piece Thrust Washer Set, Contains Lockplates	3801260	MS-1687P	1
		3801261	MS-1687P-10	
		3801262	MS-1687P-20	
		3801263	MS-1687P-30	
Thrust Washer Set	Contains 4 Pieces	3067568	TW-369S	1
		Exclusive	TW-369S+10	
		Exclusive	TW-369S+5	
Camshaft Bearing Set	For Late Big Cam Engines, 2.500" Camshaft Bearing Journal Diameter	3801106	SH-1529S	1
Piston Pin Bushing		3064295	223-3701•	6

PART	NOTES	OE INTERCHANGE NUMBER	PART NUMBER	PER ENGINE QTY
35 (cont.)	5.5000" 855 CID (14.0L) 6 Cyl; Turbocharged-Aftercooled N14 Series			35 (cont.)

Valve Train & Ancillary

Valve (Intake)		3068519	211-4283	12
		3803854	211-4284	12
		3078399	211-4285	12
Valve (Exhaust)		3166410	211-4282	12
Valve Guide		3064312	217-4092	24
Valve Seat Insert (Intake And Exhaust)		3054600	218-8010	24

Turbochargers

Turbocharger	NTA14	see at page 522	286 TC 24555 000	1
	N14, Truck	see at page 522	286 TC 24556 000	1
	NT, N14, Euro 1 Industrial, Euro 2 Industrial	see at page 522	286 TC 24557 000	1

Crankshaft

Crankshaft		3064291	247-5178	1
-------------------	--	---------	-----------------	---

36	5.5000" 903 CID (14.8L) 8 Cyl Big V Series			36
-----------	--	--	--	-----------

Cylinder Components

Cylinder Sleeve Assembly	Beaded, Part Number 224-2091 Uses the 0.700" Inner Diameter Piston Pin and must not be used with 1.00" Inner Diameter Pins, Piston with "GW" Skirt, Press-Fit Sleeve with Crevice Seal, Tapered Pin Bosses	see at page 295	226-1571	8
Cylinder Sleeve	Beaded, Press-Fit Sleeve with Crevice Seal	AR8069	226-4456	8
Piston	15.5:1 CR, Piston with "GW" Skirt, Tapered Pin Bosses	3019287	224-2091	8
Ring Set	3 Ring Piston, Keystone Top Compression Ring, Steel Oil Ring	4089793	S41885	8
Sleeve O-Ring Kit	Contains OE# 3032874(2), 215090	See Note	223-7158	8

Engine Gaskets

Engine Cylinder Head Gasket		212224	3934	2
Valve Stem Seal (Intake)	Intake and Exhaust Valve Stem Seal	156641	B45977	8
Valve Stem Seal (Exhaust)	Intake and Exhaust Valve Stem Seal	156641	B45977	8
Engine Oil Pan Gasket Set		196949	OS21794	1

Miscellaneous Gaskets

Injector Tube O-Ring		3007759	GS33571	8
Fuel Injection Nozzle O-Ring		193736	GS33337	1

Bearings

Connecting Rod Bearing		189770	CB-1073P	8
		189771	CB-1073P-10	
		189772	CB-1073P-20	
Main Bearing Set	Contains 4 Piece Thrust Washer Set, Contains Dowel Pins	AR03640	MS-1265P	1
		AR03641	MS-1265P-10	
		AR03642	MS-1265P-20	
		AR03643	MS-1265P-30	
Thrust Washer Set	Contains 4 Pieces	159960	TW-449S	1

PART	NOTES	OE INTERCHANGE NUMBER	PART NUMBER	PER ENGINE QTY
36 (cont.)	5.5000" 903 CID (14.8L) 8 Cyl Big V Series			36 (cont.)

Valve Train & Ancillary

Valve Guide		138937	217-3210	32
Valve Seat Insert (Intake And Exhaust)		3017759	218-3732	32
		3032285	218-3732.003	
		3032287	218-3732.010	

Filters

Spin-on oil filter		3313289	OC 282	1
Spin-on fuel filter		BM68669 BM78669 BM78672 CF105 D156172	KC 28	1

37	5.5000" 785 CID (12.9L) 8 Cyl Engine Codes: 'Large V8 Long Stroke, Large V8 Short Stroke, V785, V8-265, VT785'			37
-----------	--	--	--	-----------

Cylinder Components

Ring Set	3 Ring Piston, Keystone Top Compression Ring, Steel Oil Ring	4089793	S41885	8
	4 Ring Premium, For Engines Primarily Operated At Higher Speeds (2100 RPM), Seldom Highly Loaded At Lower Speeds, Steel Oil Ring	4089810	S41888	8

Miscellaneous Gaskets

Injector Tube O-Ring		3007759	GS33571	8
-----------------------------	--	---------	----------------	---

Bearings

Piston Pin Bushing	Requires Boring, Tapered Bushing	187420	223-3545	8
---------------------------	----------------------------------	--------	-----------------	---

Valve Train & Ancillary

Valve Guide		138937	217-3210	16
--------------------	--	--------	-----------------	----

38	5.5000" 1710 CID (28.0L) 12 Cyl Engine Codes: 'VT12-700, VT12R-600, VT1710, VTA1710, VTR1710'			38
-----------	---	--	--	-----------

Cylinder Components

Cylinder Sleeve	Standard Sleeve, .355" Flange Thickness, 6.565" Flange Diameter, 6.297" Pilot, Identification Mark: None Below O-Ring Groove, Bare Sleeve OE# 3055099, OE# 3801826 Sleeve Assembly (Includes O-Rings)	3801826	226-4414	12
Cylinder Block Repair Bushing	Lower Bore Repair Sleeve, 6.255" OD, 1.750" Height, 6.095" ID	Exclusive	223-3601	12
Piston Pin		191970	223-1826	12
Sleeve O-Ring Kit		3032874	223-7077	12

Bearings

Connecting Rod Bearing		200600	CB-965P	12
		200601	CB-965P-10	
		200602	CB-965P-20	

Valve Train & Ancillary

Valve (Intake & Exhaust)	1.870" Head Diameter, Hi Nickel Content Valve, Late Style, Letter "N" In Head, Order Locks Separately, Valve Only	3040830	211-2689	24
Valve Guide	Do Not Use Component In New Big Cam IV Or 88NT Engines	3006456	217-3916	24

PART	NOTES	OE INTERCHANGE NUMBER	PART NUMBER	PER ENGINE QTY
38 (cont.)	5.5000" 1710 CID (28.0L) 12 Cyl Engine Codes: 'VT12-700, VT12R-600, VT1710, VTA1710, VTR1710'			38 (cont.)

Filters

Spin-on oil filter		3313289	OC 282	1
--------------------	--	---------	---------------	---

Turbochargers

Turbocharger	B Series, NT, NH, V12, G28, V28	see at page 516	183 TC 24563 000	1
--------------	---------------------------------	-----------------	-------------------------	---

39	6.2500" 1150 CID (18.8L) 6 Cyl Engine Codes: 'K6, KT1150-C450, KT19, KT450, KTA1150-C525, KTA1150-C600, KTA19, KTA600'			39
-----------	--	--	--	-----------

Cylinder Components

Cylinder Sleeve	Includes O-Rings, Thick Flange, 4 O-Ring, Sleeve Assembly (Includes O-Rings) OE# 4024767, Bare Sleeve OE# 4009220	4024767	226-4559	6
	Includes O-Rings, Thick Flange, 0.060" Oversize, 4 O-Ring, Bare Sleeve OE# 4009233, Sleeve Assembly (Includes O-Rings) OE# 4024775	4009233	226-4561	6
Piston	15.5:1 CR, Offset Pin <i>* Please check CPL numbers</i>	3631245	224-3313	6
	13.9:1 CR, Offset Pin <i>* Please check CPL numbers</i>	3631241	224-3333	6
Ring Set	Keystone Top Compression Ring, Not for Nitrided Sleeves	3804571 4955975	S41882	6
Sleeve O-Ring Kit	4 O-Ring Set, Contains OE# 3011076, 3014668, 3081489, 4000504	4024779	223-7209	6

Engine Gaskets

Engine Cylinder Head Gasket Set	K19 Engines	3800727	HS4963	1
	Except STC Type Engines	3800728	HS4963A	1
Engine Conversion Gasket Set	With 2 Piece Gear Cover	4089390	CS4963	1
	With 1 Piece Gear Cover	4089391	CS4963A	1
Engine Cylinder Head Gasket		3628407 3634664	54145	6

Bearings

Connecting Rod Bearing		205840	CB-1357P	6
		205841	CB-1357P-10	
		205842	CB-1357P-20	
Main Bearing Set	Contains 4 Piece Thrust Washer Set	AR12270	MS-1625P	1
		AR12271	MS-1625P-10	
		AR12272	MS-1625P-20	
Camshaft Bearing		3002834	SH-2165	7
Piston Pin Bushing		3043909	223-3700•	6

Valve Train & Ancillary

Valve (Intake)		3803515	211-3343	12
Valve (Exhaust)		3803529	211-3311	12
Valve Guide		3018818	217-3446	24
		3202210	217-4073	24

Filters

Spin-on oil filter		3313289	OC 282	1
--------------------	--	---------	---------------	---

PART	NOTES	OE INTERCHANGE NUMBER	PART NUMBER	PER ENGINE QTY
39 (cont.)	6.2500" 1150 CID (18.8L) 6 Cyl Engine Codes: 'K6, KT1150-C450, KT19, KT450, KTA1150-C525, KTA1150-C600, KTA19, KTA600'			39 (cont.)

Filters (cont.)

Spin-on fuel filter		BM68669 BM78669 BM78672 CF105 D156172	KC 28	1
----------------------------	--	---	--------------	---

Crankshaft

Crankshaft	Without Gear	3096362	247-5139	1
	Gear Included In Box, Not Installed	3347569	247-5220	1

40	6.2500" 2301 CID (37.7L) 12 Cyl Engine Codes: 'K38, KT38, KTA2300C, KTA38, KTTA38, KV12'			40
-----------	--	--	--	-----------

Cylinder Components

Cylinder Sleeve	3 O-Ring, Standard Flange	3007525	226-4544	12
Piston	15.5:1 CR, Offset Pin	3631245	224-3313	12
	13.9:1 CR, Offset Pin <i>* Please check CPL numbers</i>	3631241	224-3333	12
Ring Set	Keystone Top Compression Ring, Not for Nitrided Sleeves	3804571 4955975	S41882	12
Sleeve O-Ring Kit	3 O-Ring Set, Contains OE# 3081489, 3011076, 3014668	See Note	223-7183	12

Engine Gaskets

Engine Conversion Gasket Set	For KTA2300C, KTA38, KTTA38 Engines Only	3804301 4089390	CS4963C	1
Engine Cylinder Head Gasket		3628407 3634664	54145	12

Bearings

Connecting Rod Bearing		3047390	CB-1619P	12
		3047391	CB-1619P-10	
		3047392	CB-1619P-20	
Main Bearing Set	Contains 2 Piece Thrust Washer Set	AR12250	MS-2018P	1
		AR12251	MS-2018P-10	

Filters

Spin-on oil filter		3313289	OC 282	1
---------------------------	--	---------	---------------	---

41	6.2500" 3068 CID (50.3L) 16 Cyl Engine Codes: 'K50, KT3067, KT50, KTA3067C, KTA50, KTTA50, KV16'			41
-----------	--	--	--	-----------

Cylinder Components

Cylinder Sleeve	3 O-Ring, Standard Flange	3007525	226-4544	16
Piston	15.5:1 CR, Offset Pin <i>* Please check CPL numbers</i>	3631245	224-3313	16
	13.9:1 CR, Offset Pin <i>* Please check CPL numbers</i>	3631241	224-3333	16
Ring Set	Keystone Top Compression Ring, Not for Nitrided Sleeves	3804571 4955975	S41882	16
Sleeve O-Ring Kit	3 O-Ring Set, Contains OE# 3081489, 3011076, 3014668	See Note	223-7183	16

Engine Gaskets

Engine Cylinder Head Gasket		3628407 3634664	54145	16
------------------------------------	--	--------------------	--------------	----

PART	NOTES	OE INTERCHANGE NUMBER	PART NUMBER	PER ENGINE QTY
41 (cont.)	6.2500" 3068 CID (50.3L) 16 Cyl Engine Codes: 'K50, KT3067, KT50, KTA3067C, KTA50, KTTA50, KV16'			41 (cont.)
Bearings				
Connecting Rod Bearing		3047390	CB-1619P	16
		3047391	CB-1619P-10	
		3047392	CB-1619P-20	
Main Bearing Set	Contains 2 Piece Thrust Washer Set	3018210	MS-2019P	1
		3018211	MS-2019P-10	
Filters				
Spin-on oil filter		3313289	OC 282	1
		3307885	OC 508	1
		3310169		
		3313282		
Crankshaft				
Crankshaft		3629276	247-5180	1

CUMMINS CYLINDER SLEEVE ASSEMBLY COMPONENT INTERCHANGES

MAHLE

Bore	Part No.	OE Interchange Number	Qty
4.488	226-1916		
Cylinder Sleeve:	226-4496	3802370	1
Sleeve O-Ring Kit:	223-7201	3907177	1
Piston:	224-3293	3802657	1
Ring Set:	S41677	3802429	1
4.488	226-2058		
Cylinder Sleeve:	226-4566	3800328	1
Sleeve O-Ring Kit:	223-7201	3907177	1
Piston:	224-3012	3917707	1
Ring Set:	S41677	3802429	1
4.488	226-2070		
4.490	226-1894		
Cylinder Sleeve:	226-4496	3802370	1
Sleeve O-Ring Kit:	223-7201	3907177	1
Piston:	224-3012	3917707	1
Ring Set:	S41677	3802429	1
4.490	226-1899		
Cylinder Sleeve:	226-4547	3802407	1
Sleeve O-Ring Kit:	223-7201	3907177	1
Piston:	224-3012	3917707	1
Ring Set:	S41677	3802429	1
4.490	226-1917		
Cylinder Sleeve:	226-4547	3802407	1
Sleeve O-Ring Kit:	223-7201	3907177	1
Piston:	224-3293	3802657	1
Ring Set:	S41677	3802429	1
4.490	226-1947		
Cylinder Sleeve:	226-4547	3802407	1
Sleeve O-Ring Kit:	223-7201	3907177	1
Piston:	224-3326	3919930	1
Ring Set:	S41677	3802429	1
4.490	226-1948		
Cylinder Sleeve:	226-4496	3802370	1
Sleeve O-Ring Kit:	223-7201	3907177	1
Piston:	224-3325	3923163	1
Ring Set:	S41677	3802429	1
4.490	226-1949		
Cylinder Sleeve:	226-4547	3802407	1
Sleeve O-Ring Kit:	223-7201	3907177	1
Piston:	224-3327	3923165	1
Ring Set:	S41677	3802429	1

Bore	Part No.	OE Interchange Number	Qty
4.490	226-1950		
Cylinder Sleeve:	226-4496	3802370	1
Sleeve O-Ring Kit:	223-7201	3907177	1
Piston:	224-3326	3919930	1
Ring Set:	S41677	3802429	1
4.490	226-1951		
Cylinder Sleeve:	226-4547	3802407	1
Sleeve O-Ring Kit:	223-7201	3907177	1
Piston:	224-3325	3923163	1
Ring Set:	S41677	3802429	1
4.490	226-2035		
Cylinder Sleeve:	226-4566	3800328	1
Sleeve O-Ring Kit:	223-7201	3907177	1
Piston:	224-3293	3802657	1
Ring Set:	S41677	3802429	1
4.921	226-1851		
Cylinder Sleeve:	226-4546	3803703	1
Sleeve O-Ring Kit:	223-7200	3047188	1
Piston:	224-2271	3803965	1
Ring Set:	S41371	3803961	1
4.921	226-1852		
Cylinder Sleeve:	226-4546	3803703	1
Sleeve O-Ring Kit:	223-7200	3047188	1
Piston:	224-3276	3803967	1
Ring Set:	S41371	3803961	1
5.125	226-1506		
Cylinder Sleeve:	226-4419	182020 184400	1
Sleeve O-Ring Kit:	223-7142	181449 215983 216879	1
Piston:	224-1538	AR7510	1
Ring Set:	S41314	AR12098	1
5.500	226-1571		
Cylinder Sleeve:	226-4456	AR8069	1
Sleeve O-Ring Kit:	223-7158	215090 3032874	1
Piston:	224-2091	3019287	1
Ring Set:	S41885	4089793	1
5.500	226-1646		
Cylinder Sleeve:	226-4414	3801826	1
Sleeve O-Ring Kit:	223-7077	3032874	1
Piston:	224-2144	3017349	1
Ring Set:	S41888	4089810	1

VICTOR REINZ
Sealing Products

LEVITE

MAHLE
ORIGINAL

CUMMINS CYLINDER SLEEVE ASSEMBLY COMPONENT INTERCHANGES

MAHLE

Bore	Part No.	OE Interchange Number	Qty
5.500	226-1745		
Cylinder Sleeve:	226-4414	3801826	1
Sleeve O-Ring Kit:	223-7077	3032874	1
Piston:	224-2344	3801773	1
Ring Set:	S41889	4089811	1

Bore	Part No.	OE Interchange Number	Qty
5.500	226-1747		
Cylinder Sleeve:	226-4414	3801826	1
Sleeve O-Ring Kit:	223-7077	3032874	1
Piston:	224-2342	3801703	1
Ring Set:	S41888	4089810	1

Bore	Part No.	OE Interchange Number	Qty
5.500	226-1748		
Cylinder Sleeve:	226-4414	3801826	1
Sleeve O-Ring Kit:	223-7077	3032874	1
Piston:	224-2341	3801766	1
Ring Set:	S41889	4089811	1

Bore	Part No.	OE Interchange Number	Qty
5.500	226-1749		
Cylinder Sleeve:	226-4414	3801826	1
Sleeve O-Ring Kit:	223-7077	3032874	1
Piston:	224-2339	3804414	1
Ring Set:	S41889	4089811	1

Bore	Part No.	OE Interchange Number	Qty
5.500	226-1750		
Cylinder Sleeve:	226-4414	3801826	1
Sleeve O-Ring Kit:	223-7077	3032874	1
Piston:	224-2340	3801876	1
Ring Set:	S41889	4089811	1

Bore	Part No.	OE Interchange Number	Qty
5.500	226-1760		
Cylinder Sleeve:	226-4414	3801826	1
Sleeve O-Ring Kit:	223-7077	3032874	1
Piston:	224-2262	3801535	1
Ring Set:	S41889	4089811	1

Bore	Part No.	OE Interchange Number	Qty
5.500	226-1769		
Cylinder Sleeve:	226-4414	3801826	1
Sleeve O-Ring Kit:	223-7077	3032874	1
Piston:	224-2341	3801766	1
Ring Set:	S41888	4089810	1

Bore	Part No.	OE Interchange Number	Qty
5.500	226-1770		
Cylinder Sleeve:	226-4414	3801826	1
Sleeve O-Ring Kit:	223-7077	3032874	1
Piston:	224-2262	3801535	1
Ring Set:	S41888	4089810	1

Bore	Part No.	OE Interchange Number	Qty
5.500	226-1771		
Cylinder Sleeve:	226-4414	3801826	1
Sleeve O-Ring Kit:	223-7077	3032874	1
Piston:	224-2340	3801876	1
Ring Set:	S41888	4089810	1

Bore	Part No.	OE Interchange Number	Qty
5.500	226-1772		
Cylinder Sleeve:	226-4414	3801826	1
Sleeve O-Ring Kit:	223-7077	3032874	1
Piston:	224-2339	3804414	1
Ring Set:	S41888	4089810	1

Bore	Part No.	OE Interchange Number	Qty
5.500	226-1773		
Cylinder Sleeve:	226-4414	3801826	1
Sleeve O-Ring Kit:	223-7077	3032874	1
Piston:	224-2344	3801773	1
Ring Set:	S41888	4089810	1

Bore	Part No.	OE Interchange Number	Qty
5.500	226-1774		
Cylinder Sleeve:	226-4414	3801826	1
Sleeve O-Ring Kit:	223-7077	3032874	1
Piston:	224-2343	3801393	1
Ring Set:	S41888	4089810	1

Bore	Part No.	OE Interchange Number	Qty
5.500	226-1775		
Cylinder Sleeve:	226-4414	3801826	1
Sleeve O-Ring Kit:	223-7077	3032874	1
Piston:	224-2144	3017349	1
Ring Set:	S41889	4089811	1

Bore	Part No.	OE Interchange Number	Qty
5.500	226-1792		
Cylinder Sleeve:	226-4486	3065405	1
Sleeve O-Ring Kit:	223-7077	3032874	1
Piston:	224-2339	3804414	1
Ring Set:	S41889	4089811	1

Bore	Part No.	OE Interchange Number	Qty
5.500	226-1793		
Cylinder Sleeve:	226-4486	3065405	1
Sleeve O-Ring Kit:	223-7077	3032874	1
Piston:	224-2344	3801773	1
Ring Set:	S41889	4089811	1

Bore	Part No.	OE Interchange Number	Qty
5.500	226-1794		
Cylinder Sleeve:	226-4486	3065405	1
Sleeve O-Ring Kit:	223-7077	3032874	1
Piston:	224-2340	3801876	1
Ring Set:	S41889	4089811	1

MAHLE
ORIGINAL



VICTOR REINZ
Sealing Products

CUMMINS CYLINDER SLEEVE ASSEMBLY COMPONENT INTERCHANGES

MAHLE

Bore	Part No.	OE Interchange Number	Qty
5.500 226-1796			
Cylinder Sleeve:	226-4486	3065405	1
Sleeve O-Ring Kit:	223-7077	3032874	1
Piston:	224-2341	3801766	1
Ring Set:	S41889	4089811	1
5.500 226-1821			
Cylinder Sleeve:	226-4414	3801826	1
Sleeve O-Ring Kit:	223-7077	3032874	1
Piston:	224-2743	3803344	1
Ring Set:	S41889	4089811	1
5.500 226-1822			
Cylinder Sleeve:	226-4486	3065405	1
Sleeve O-Ring Kit:	223-7077	3032874	1
Piston:	224-2743	3803344	1
Ring Set:	S41889	4089811	1
5.500 226-1831			
Cylinder Sleeve:	226-4414	3801826	1
Sleeve O-Ring Kit:	223-7077	3032874	1
Piston:	224-2819	3801534	1
Ring Set:	S41889	4089811	1
5.500 226-1832			
Cylinder Sleeve:	226-4486	3065405	1
Sleeve O-Ring Kit:	223-7077	3032874	1
Piston:	224-2819	3801534	1
Ring Set:	S41889	4089811	1
5.500 226-1833			
Cylinder Sleeve:	226-4414	3801826	1
Sleeve O-Ring Kit:	223-7077	3032874	1
Piston:	224-2820	3801820	1
Ring Set:	S41889	4089811	1
5.500 226-1834			
Cylinder Sleeve:	226-4486	3065405	1
Sleeve O-Ring Kit:	223-7077	3032874	1
Piston:	224-2820	3801820	1
Ring Set:	S41889	4089811	1
5.500 226-1835			
Cylinder Sleeve:	226-4414	3801826	1
Sleeve O-Ring Kit:	223-7077	3032874	1
Piston:	224-2821	3801819	1
Ring Set:	S41889	4089811	1

Bore	Part No.	OE Interchange Number	Qty
5.500 226-1836			
Cylinder Sleeve:	226-4486	3065405	1
Sleeve O-Ring Kit:	223-7077	3032874	1
Piston:	224-2821	3801819	1
Ring Set:	S41889	4089811	1
5.500 226-1837			
Cylinder Sleeve:	226-4414	3801826	1
Sleeve O-Ring Kit:	223-7077	3032874	1
Piston:	224-2822	3801818	1
Ring Set:	S41889	4089811	1
5.500 226-1839			
Cylinder Sleeve:	226-4414	3801826	1
Sleeve O-Ring Kit:	223-7077	3032874	1
Piston:	224-2823	3801744	1
Ring Set:	S41889	4089811	1
5.500 226-1840			
Cylinder Sleeve:	226-4486	3065405	1
Sleeve O-Ring Kit:	223-7077	3032874	1
Piston:	224-2823	3801744	1
Ring Set:	S41889	4089811	1
5.500 226-1841			
Cylinder Sleeve:	226-4414	3801826	1
Sleeve O-Ring Kit:	223-7077	3032874	1
Piston:	224-2818	3801954	1
Ring Set:	S41889	4089811	1
5.500 226-1842			
Cylinder Sleeve:	226-4486	3065405	1
Sleeve O-Ring Kit:	223-7077	3032874	1
Piston:	224-2818	3801954	1
Ring Set:	S41889	4089811	1
5.500 226-1847			
Cylinder Sleeve:	226-4486	3065405	1
Sleeve O-Ring Kit:	223-7077	3032874	1
Piston:	224-2341	3801766	1
Ring Set:	S41888	4089810	1
5.500 226-1848			
Cylinder Sleeve:	226-4486	3065405	1
Sleeve O-Ring Kit:	223-7077	3032874	1
Piston:	224-2342	3801703	1
Ring Set:	S41889	4089811	1

VICTOR REINZ
Sealing Products

LEVITE

MAHLE
ORIGINAL

Bore	Part No.	OE Interchange Number	Qty
5.500	226-1860		
Cylinder Sleeve:	226-4486	3065405	1
Sleeve O-Ring Kit:	223-7077	3032874	1
Piston:	224-2344	3801773	1
Ring Set:	S41888	4089810	1

Bore	Part No.	OE Interchange Number	Qty
5.500	226-1862		
Cylinder Sleeve:	226-4486	3065405	1
Sleeve O-Ring Kit:	223-7077	3032874	1
Piston:	224-2262	3801535	1
Ring Set:	S41888	4089810	1

Bore	Part No.	OE Interchange Number	Qty
5.500	226-1863		
Cylinder Sleeve:	226-4414	3801826	1
Sleeve O-Ring Kit:	223-7077	3032874	1
Piston:	224-3269	AR3560	1
Ring Set:	S41888	4089810	1

Bore	Part No.	OE Interchange Number	Qty
5.500	226-1873		
Cylinder Sleeve:	226-4486	3065405	1
Sleeve O-Ring Kit:	223-7077	3032874	1
Piston:	224-2262	3801535	1
Ring Set:	S41889	4089811	1

Bore	Part No.	OE Interchange Number	Qty
5.500	226-1883		
Cylinder Sleeve:	226-4486	3065405	1
Sleeve O-Ring Kit:	223-7077	3032874	1
Piston:	224-2340	3801876	1
Ring Set:	S41888	4089810	1

Bore	Part No.	OE Interchange Number	Qty
5.500	226-1884		
Cylinder Sleeve:	226-4486	3065405	1
Sleeve O-Ring Kit:	223-7077	3032874	1
Piston:	224-2339	3804414	1
Ring Set:	S41888	4089810	1

Bore	Part No.	OE Interchange Number	Qty
5.500	226-1903		
Cylinder Sleeve:	226-4414	3801826	1
Sleeve O-Ring Kit:	223-7077	3032874	1
Piston:	224-3284	3803758	1
Ring Set:	S41887	4089489	1

Bore	Part No.	OE Interchange Number	Qty
5.500	226-1905		
Cylinder Sleeve:	226-4414	3801826	1
Sleeve O-Ring Kit:	223-7077	3032874	1
Piston:	224-3289	3804414	1
Ring Set:	S41887	4089489	1

Bore	Part No.	OE Interchange Number	Qty
5.500	226-1907		
Cylinder Sleeve:	226-4486	3065405	1
Sleeve O-Ring Kit:	223-7077	3032874	1
Piston:	224-3289	3804414	1
Ring Set:	S41887	4089489	1

Bore	Part No.	OE Interchange Number	Qty
5.500	226-1908		
Cylinder Sleeve:	226-4486	3065405	1
Sleeve O-Ring Kit:	223-7077	3032874	1
Piston:	224-3284	3803758	1
Ring Set:	S41887	4089489	1

Bore	Part No.	OE Interchange Number	Qty
5.500	226-1911		
Cylinder Sleeve:	226-4414	3801826	1
Sleeve O-Ring Kit:	223-7077	3032874	1
Piston:	224-3290	3081268	1
Piston Pin:	223-1960	3064304	1 1
Lock Ring:	223-5540	3064305	1
Ring Set:	S41887	4089489	1

Bore	Part No.	OE Interchange Number	Qty
5.500	226-1912		
Cylinder Sleeve:	226-4486	3065405	1
Sleeve O-Ring Kit:	223-7077	3032874	1
Piston:	224-3290	3081268	1
Piston Pin:	223-1960	3064304	1 1
Lock Ring:	223-5540	3064305	1
Ring Set:	S41887	4089489	1

Bore	Part No.	OE Interchange Number	Qty
5.500	226-2039		
Cylinder Sleeve:	226-4414	3801826	1
Sleeve O-Ring Kit:	223-7077	3032874	1
Piston:	224-3775	3803741	1
Piston Pin:	223-1960	3064304	1 1
Lock Ring:	223-5540	3064305	1
Ring Set:	S41887	4089489	1

Bore	Part No.	OE Interchange Number	Qty
5.500	226-2040		
Cylinder Sleeve:	226-4414	3801826	1
Sleeve O-Ring Kit:	223-7077	3032874	1
Piston:	224-3776	3803739	1
Piston Pin:	223-1960	3064304	1 1
Lock Ring:	223-5540	3064305	1
Ring Set:	S41887	4089489	1

CUMMINS CYLINDER SLEEVE ASSEMBLY COMPONENT INTERCHANGES

MAHLE

Bore	Part No.	OE Interchange Number	Qty
5.500	226-2041		
Cylinder Sleeve:	226-4414	3801826	1
Sleeve O-Ring Kit:	223-7077	3032874	1
Piston:	224-3777	3804630	1
Piston Pin:	223-1960	3064304	1 1
Lock Ring:	223-5540	3064305	1
Ring Set:	S41887	4089489	1

Model	Series	No. Cyls.	CID	Liter	Bore / Stroke	Line No.
3-53		3	159	2.6	3.9 / 4.5	1
4-53		4	212	3.5	3.9 / 4.5	2
4-71		4	284	4.7	4.2 / 5	5
6V-53		6	318	5.2	3.9 / 4.5	3
8V-53		8	424	6.9	3.9 / 4.5	4
6-71		6	426	7	4.2 / 5	6
6V-71		6	426	7	4.2 / 5	7
8.2L		8	500	8.2	4.2 / 4.4	9
8V-71		8	568	9.3	4.2 / 5	8
60 Series	60	6	677	11.1	5.1 / 5.5	12
60 Series	60	6	778	12.7	5.1 / 6.3	13
12V-71		12	852	14	4.2 / 5	10
60 Series	60	6	855	14	5.2 / 6.6	14
16V-71		16	1136	18.6	4.2 / 5	11

LINE #	NOTES	PART DESCRIPTION	OVERHAUL	QTY	IN-FRAME	QTY
1	3.8750" 159 CID (2.6L) 3 Cyl Engine Code: '3-53'					1
1.1	21:1 CR Naturally Aspirated Engines Late Design Contains Trunk Style Piston Contains Piston With .468" Deep Bowl OE Rod Bearing Number(s) 5149452 OE Main Bearing Number(s) 8924357	Kit Number	468-1018		468-5018	
		Cylinder Sleeve Assembly	226-1477	3	226-1477	3
		Connecting Rod Bearing	CB-1265P	3	CB-1265P	3
		Undersizes	P-10-20		P-10-20	
		Main Bearings	MB-1897P	4	MB-1897P	4
		Undersizes	P-10		P-10	
		Thrust Washer Set	TW-412S	1	TW-412S	1
		Engine Full Gasket Set / Engine Cylinder Head Gasket Set	FS12232A	1	HS12232X	1
		Engine Timing Cover Gasket Set	SS48005	1		
		Engine Timing Cover Seal	46289	1		
1.2	17.0:1 CR Naturally Aspirated Engines OE Rod Bearing Number(s) 5149452 OE Main Bearing Number(s) 8924357	Kit Number	468-1021		468-5021	
		Cylinder Sleeve Assembly	226-1478	3	226-1478	3
		Connecting Rod Bearing	CB-1265P	3	CB-1265P	3
		Undersizes	P-10-20		P-10-20	
		Main Bearings	MB-1897P	4	MB-1897P	4
		Undersizes	P-10		P-10	
		Thrust Washer Set	TW-412S	1	TW-412S	1
		Engine Full Gasket Set / Engine Cylinder Head Gasket Set	FS12232A	1	HS12232X	1
		Engine Timing Cover Gasket Set	SS48005	1		
		Engine Timing Cover Seal	46289	1		
2	3.8750" 212 CID (3.5L) 4 Cyl Engine Code: '4-53'					2
2.1	21:1 CR Naturally Aspirated Engines Late Design Contains Trunk Style Piston OE Rod Bearing Number(s) 5149452	Kit Number	468-1019		468-5019	
		Cylinder Sleeve Assembly	226-1477	4	226-1477	4
		Connecting Rod Bearing	CB-1265P	4	CB-1265P	4
		Undersizes	P-10-20		P-10-20	
		Main Bearing Set	MS-502P	1	MS-502P	1
		Undersizes	P-10		P-10	
		Engine Full Gasket Set / Engine Cylinder Head Gasket Set	FS12232B	1	HS12232	1
		Engine Timing Cover Seal / Engine Oil Pan Gasket Set	46289	1	OS31584	1
		Engine Timing Cover Gasket Set	SS48005	1		

LINE #	NOTES	PART DESCRIPTION	OVERHAUL	QTY	IN-FRAME	QTY
2 (cont.)	3.8750" 212 CID (3.5L) 4 Cyl Engine Code: '4-53'					2 (cont.)
2.2	17.0:1 CR Naturally Aspirated Engines OE Rod Bearing Number(s) 5149452 OE Main Bearing Number(s) 5149565 / 5117005	Kit Number	468-1022		468-5022	
		Cylinder Sleeve Assembly	226-1478	4	226-1478	4
		Connecting Rod Bearing	CB-1265P	4	CB-1265P	4
		Undersizes	P-10-20		P-10-20	
		Main Bearing Set	MS-1386P	1	MS-502P	1
		Undersizes	P-10-20-30		P-10	
		Engine Full Gasket Set / Engine Oil Pan Gasket Set	FS12232B	1	OS31584	1
		Engine Timing Cover Seal / Engine Cylinder Head Gasket Set	46289	1	HS12232	1
		Engine Timing Cover Gasket Set	SS48005	1		
3	3.8750" 318 CID (5.2L) 6 Cyl Engine Code: '6V-53'					3
3.1	21:1 CR Naturally Aspirated Engines Late Design From Engine Serial Number 6D-17961 Contains Trunk Style Piston Contains Piston With .468" Deep Bowl 7 Oil Holes In Upper Half Bearing OE Rod Bearing Number(s) 5197975	Kit Number	468-1000		468-5000	
		Cylinder Sleeve Assembly	226-1477	6	226-1477	6
		Connecting Rod Bearing	CB-674P	6	CB-674P	6
		Undersizes	P-10		P-10	
		Main Bearing Set	MS-885P	1	MS-885P	1
		Undersizes	P-10-20		P-10-20	
		Engine Full Gasket Set / Engine Cylinder Head Gasket Set	FS12232C	1	HS12232X	2
		Engine Timing Cover Seal	46289	1		
		Engine Timing Cover Gasket Set	SS48005	1		
3.2	17.0:1 CR Naturally Aspirated Engines Early Design Thru Engine Serial Number 6D-17960 Contains Piston With .421" Shallow Bowl 1 Oil Hole In Upper Half Bearing OE Rod Bearing Number(s) 5197975	Kit Number	468-1024		468-5024	
		Cylinder Sleeve Assembly	226-1478	6	226-1478	6
		Connecting Rod Bearing	CB-674P	6	CB-674P	6
		Undersizes	P-10		P-10	
		Main Bearing Set	MS-506P	1	MS-506P	1
		Undersizes	P-10-20		P-10-20	
		Engine Full Gasket Set / Engine Cylinder Head Gasket Set	FS12232C	1	HS12232X	2
		Engine Timing Cover Gasket Set	SS48005	1		
		Engine Timing Cover Seal	46289	1		
3.3	17.0:1 CR Naturally Aspirated Engines Early Design From Engine Serial Number 6D-17961 Contains Piston With .421" Shallow Bowl 7 Oil Holes In Upper Half Bearing OE Rod Bearing Number(s) 5197975	Kit Number	468-1025		468-5025	
		Cylinder Sleeve Assembly	226-1478	6	226-1478	6
		Connecting Rod Bearing	CB-674P	6	CB-674P	6
		Undersizes	P-10		P-10	
		Main Bearing Set	MS-885P	1	MS-885P	1
		Undersizes	P-10-20		P-10-20	
		Engine Full Gasket Set / Engine Cylinder Head Gasket Set	FS12232C	1	HS12232X	2
		Engine Timing Cover Gasket Set	SS48005	1		
		Engine Timing Cover Seal	46289	1		

LINE #	NOTES	PART DESCRIPTION	OVERHAUL	QTY	IN-FRAME	QTY
3 (cont.)	3.8750" 318 CID (5.2L) 6 Cyl Engine Code: '6V-53'					3 (cont.)
3.4	21:1 CR Naturally Aspirated Engines Late Design Thru Engine Serial Number 6D-17960 Contains Trunk Style Piston Contains Piston With .468" Deep Bowl 1 Oil Hole In Upper Half Bearing OE Rod Bearing Number(s) 5197975	Kit Number	468-1026		468-5026	
		Cylinder Sleeve Assembly	226-1477	6	226-1477	6
		Connecting Rod Bearing	CB-674P	6	CB-674P	6
		Undersizes	P-10		P-10	
		Main Bearing Set	MS-506P	1	MS-506P	1
		Undersizes	P-10-20		P-10-20	
		Engine Full Gasket Set / Engine Cylinder Head Gasket Set	FS12232C	1	HS12232X	2
		Engine Timing Cover Gasket Set	SS48005	1		
		Engine Timing Cover Seal	46289	1		
4	3.8750" 424 CID (6.9L) 8 Cyl Engine Code: '8V-53'					4
4.1	21:1 CR Naturally Aspirated Engines Late Design Contains Trunk Style Piston Contains Piston With .468" Deep Bowl OE Rod Bearing Number(s) 5197975	Kit Number			468-5027	
		Cylinder Sleeve Assembly			226-1477	8
		Connecting Rod Bearing			CB-674P	8
		Undersizes			P-10	
		Main Bearings			MB-1931P	5
		Undersizes			P-10-20	
		Thrust Washer Set			TW-411S	1
		Engine Cylinder Head Gasket Set			HS12232	2
5	4.2500" 284 CID (4.7L) 4 Cyl Engine Code: '4-71'					5
5.1	18.7:1 CR Naturally Aspirated Engines High Block Contains Crosshead Piston Contains Aluminum Valve Cover OE Rod Bearing Number(s) 23511129	Kit Number	468-1035			
		Cylinder Sleeve Assembly	226-1946	4		
		Undersizes	STD-001-010			
		Connecting Rod Bearing	CB-1596P	4		
		Undersizes	P-10-20			
		Main Bearings	MB-1276P	5		
		Undersizes	P-10-20			
		Thrust Washer Set	TW-411S	1		
		Engine Valve Cover Gasket Set	VS39863	1		
		Engine Cylinder Head Gasket Set	HS12197B	1		
		Engine Conversion Gasket Set	CS12197X	1		
		Rear Main Seal	46843	1		
Engine Timing Cover Seal	47095	1				

LINE #	NOTES	PART DESCRIPTION	OVERHAUL	QTY	IN-FRAME	QTY
5 (cont.)	4.2500" 284 CID (4.7L) 4 Cyl Engine Code: '4-71'					5 (cont.)
5.2	18.7:1 CR Naturally Aspirated Engines High Block Contains Trunk Style Piston Contains Aluminum Valve Cover OE Rod Bearing Number(s) 23511129	Kit Number	468-1033		468-5033	
		Cylinder Sleeve Assembly	226-1633	4	226-1633	4
		Oversizes	STD-010		STD-010	
		Connecting Rod Bearing	CB-1596P	4	CB-1596P	4
		Undersizes	P-10-20		P-10-20	
		Main Bearings	MB-1276P	5	MB-1276P	5
		Undersizes	P-10-20		P-10-20	
		Thrust Washer Set	TW-411S	1	TW-411S	1
		Engine Cylinder Head Gasket Set	HS12197B	1	HS12197B	1
		Engine Valve Cover Gasket Set	VS39863	1	VS39863	1
		Rear Main Seal / Engine Oil Pan Gasket Set	46843	1	OS31771	1
		Engine Timing Cover Seal	47095	1		
5.3	18.7:1 CR Naturally Aspirated Engines High Block Contains Trunk Style Piston OE Rod Bearing Number(s) 23511129	Kit Number	468-1034		468-5034	
		Cylinder Sleeve Assembly	226-1633	4	226-1633	4
		Oversizes	STD-010		STD-010	
		Connecting Rod Bearing	CB-1596P	4	CB-1596P	4
		Undersizes	P-10-20		P-10-20	
		Main Bearings	MB-1276P	5	MB-1276P	5
		Undersizes	P-10-20		P-10-20	
		Thrust Washer Set	TW-411S	1	TW-411S	1
		Engine Cylinder Head Gasket Set	HS12197B	1	HS12197B	1
		Engine Conversion Gasket Set / Engine Oil Pan Gasket Set	CS12197X	1	OS31771	1
		Engine Timing Cover Seal	47095	1		
		Rear Main Seal	46843	1		
5.4	18.7:1 CR Naturally Aspirated Engines High Block Contains Crosshead Piston OE Rod Bearing Number(s) 23511129	Kit Number	468-1036		468-5036	
		Cylinder Sleeve Assembly	226-1946	4	226-1946	4
		Oversizes	STD-001-010		STD-001-010	
		Connecting Rod Bearing	CB-1596P	4	CB-1596P	4
		Undersizes	P-10-20		P-10-20	
		Main Bearings	MB-1276P	5	MB-1276P	5
		Undersizes	P-10-20		P-10-20	
		Thrust Washer Set	TW-411S	1	TW-411S	1
		Engine Cylinder Head Gasket Set	HS12197B	1	HS12197B	1
		Engine Conversion Gasket Set / Engine Oil Pan Gasket Set	CS12197X	1	OS31771	1
		Rear Main Seal	46843	1		
		Engine Timing Cover Seal	47095	1		

LINE #	NOTES	PART DESCRIPTION	OVERHAUL	QTY	IN-FRAME	QTY
6	4.2500" 426 CID (7.0L) 6 Cyl Engine Code: '6-71'					6
6.1	18.7:1 CR Naturally Aspirated Engines Contains Crosshead Piston Contains Steel Valve Cover OE Rod Bearing Number(s) 23511129	Kit Number	468-1003		468-5003	
		Cylinder Sleeve Assembly	226-1946	6	226-1946	6
		Oversizes	STD-001-010		STD-001-010	
		Connecting Rod Bearing	CB-1596P	6	CB-1596P	6
		Undersizes	P-10-20		P-10-20	
		Main Bearing Set	MS-271P	1	MS-271P	1
		Undersizes	P-10-20		P-10-20	
		Engine Full Gasket Set / Engine Cylinder Head Gasket Set	FS12197H	1	HS12197H	1
		Engine Valve Cover Gasket Set	VS39866	1	VS39866	1
		Rear Main Seal / Engine Oil Pan Gasket Set	SS47870	1	OS31977	1
Engine Timing Cover Seal	47095	1				
6.2	17.0:1 CR Naturally Aspirated Engines High Block And Highway Contains Trunk Style Piston Contains Aluminum Valve Cover OE Rod Bearing Number(s) 23511129	Kit Number	468-1039		468-5039	
		Cylinder Sleeve Assembly	226-1633	6	226-1633	6
		Oversizes	STD-010		STD-010	
		Connecting Rod Bearing	CB-1596P	6	CB-1596P	6
		Undersizes	P-10-20		P-10-20	
		Main Bearing Set	MS-271P	1	MS-271P	1
		Undersizes	P-10-20		P-10-20	
		Engine Valve Cover Gasket Set	VS39864	1	VS39864	1
		Engine Cylinder Head Gasket Set	HS12197H	1	HS12197H	1
		Rear Main Seal / Engine Oil Pan Gasket Set	46843	1	OS31977	1
Engine Timing Cover Seal	47095	1				
6.3	17.0:1 CR Naturally Aspirated Engines High Block And Highway Contains Trunk Style Piston Contains Steel Valve Cover OE Rod Bearing Number(s) 23511129	Kit Number			468-5040	
		Cylinder Sleeve Assembly			226-1633	6
		Oversizes			STD-010	
		Connecting Rod Bearing			CB-1596P	6
		Undersizes			P-10-20	
		Main Bearing Set			MS-271P	1
		Undersizes			P-10-20	
		Engine Valve Cover Gasket Set			VS39864	1
		Engine Cylinder Head Gasket Set			HS12197H	1
		Engine Oil Pan Gasket Set			OS31977	1

LINE #	NOTES	PART DESCRIPTION	OVERHAUL	QTY	IN-FRAME	QTY
6 (cont.)	4.2500" 426 CID (7.0L) 6 Cyl Engine Code: '6-71'					6 (cont.)
6.4	18.7:1 CR Naturally Aspirated Engines Contains Crosshead Piston Contains Aluminum Valve Cover OE Rod Bearing Number(s) 23511129	Kit Number	468-1041		468-5041	
		Cylinder Sleeve Assembly	226-1946	6	226-1946	6
		Oversizes	STD-001-010		STD-001-010	
		Connecting Rod Bearing	CB-1596P	6	CB-1596P	6
		Undersizes	P-10-20		P-10-20	
		Main Bearing Set	MS-271P	1	MS-271P	1
		Undersizes	P-10-20		P-10-20	
		Engine Valve Cover Gasket Set	VS39864	1	VS39864	1
		Engine Full Gasket Set / Engine Cylinder Head Gasket Set	FS12197H	1	HS12197H	1
		Rear Main Seal / Engine Oil Pan Gasket Set	SS47870	1	OS31977	1
Engine Timing Cover Seal	47095	1				
6.5	18.7:1 CR Naturally Aspirated Engines Contains Trunk Style Piston Contains Aluminum Valve Cover OE Rod Bearing Number(s) 23511129	Kit Number	468-1042		468-5042	
		Cylinder Sleeve Assembly	226-1633	6	226-1633	6
		Oversizes	STD-010		STD-010	
		Connecting Rod Bearing	CB-1596P	6	CB-1596P	6
		Undersizes	P-10-20		P-10-20	
		Main Bearing Set	MS-271P	1	MS-271P	1
		Undersizes	P-10-20		P-10-20	
		Engine Valve Cover Gasket Set	VS39864	1	VS39864	1
		Engine Full Gasket Set / Engine Cylinder Head Gasket Set	FS12197H	1	HS12197H	1
		Rear Main Seal / Engine Oil Pan Gasket Set	46843	1	OS31977	1
Engine Timing Cover Seal	47095	1				
6.6	18.7:1 CR Naturally Aspirated Engines Contains Trunk Style Piston Contains Steel Valve Cover 4-Valve Cylinder Head OE Rod Bearing Number(s) 23511129	Kit Number	468-1043		468-5043	
		Cylinder Sleeve Assembly	226-1633	6	226-1633	6
		Oversizes	STD-010		STD-010	
		Connecting Rod Bearing	CB-1596P	6	CB-1596P	6
		Undersizes	P-10-20		P-10-20	
		Main Bearing Set	MS-271P	1	MS-271P	1
		Undersizes	P-10-20		P-10-20	
		Engine Valve Cover Gasket Set	VS39866	1	VS39866	1
		Engine Full Gasket Set / Engine Cylinder Head Gasket Set	FS12197H	1	HS12197H	1
		Rear Main Seal / Engine Oil Pan Gasket Set	46843	1	OS31977	1
Engine Timing Cover Seal	47095	1				

LINE #	NOTES	PART DESCRIPTION	OVERHAUL	QTY	IN-FRAME	QTY
7	4.2500" 426 CID (7.0L) 6 Cyl Engine Code: '6V-71'					7
7.1	18.7:1 CR Naturally Aspirated Engines 4-Valve Cylinder Head 1.05" Port Height Sleeve Contains Trunk Style Piston Contains Aluminum Valve Cover OE Rod Bearing Number(s) 5149572 OE Main Bearing Number(s) 5117005	Kit Number			468-5047	
		Cylinder Sleeve Assembly			226-1633	6
		Oversizes			STD-010	
		Connecting Rod Bearing			CB-555P	6
		Undersizes			P-10-20-30	
		Main Bearing Set			MS-1385P	1
		Undersizes			P-10-20-30	
		Engine Valve Cover Gasket Set			VS39858	2
		Engine Cylinder Head Gasket Set			HS12197I	2
8	4.2500" 568 CID (9.3L) 8 Cyl Engine Code: '8V-71'					8
8.1	18.7:1 CR Naturally Aspirated Engines 1.05" Port Height Sleeve Contains Crosshead Piston Contains Aluminum Valve Cover OE Rod Bearing Number(s) 5149572 OE Main Bearing Number(s) 5149565 / 5117005	Kit Number		468-1007		468-5007
		Cylinder Sleeve Assembly	226-1946	8	226-1946	8
		Oversizes	STD-001-010		STD-001-010	
		Connecting Rod Bearing	CB-555P	8	CB-555P	8
		Undersizes	P-10-20-30		P-10-20-30	
		Main Bearing Set	MS-1386P	1	MS-1386P	1
		Undersizes	P-10-20-30		P-10-20-30	
		Engine Valve Cover Gasket Set	VS39863	2	VS39863	2
		Engine Full Gasket Set / Engine Cylinder Head Gasket Set	FS12197JT	1	HS12197B	2
		Engine Timing Cover Seal / Engine Oil Pan Gasket Set	47095	1	OS31790	1
		Rear Main Seal	SS47870	1		
8.2	18.7:1 CR Naturally Aspirated Engines 4-Valve Cylinder Head Excludes Coach Contains Trunk Style Piston 1.05" Port Height Sleeve Contains Aluminum Valve Cover OE Rod Bearing Number(s) 5149572 OE Main Bearing Number(s) 5149565 / 5117005	Kit Number		468-1053		468-5053
		Cylinder Sleeve Assembly	226-1633	8	226-1633	8
		Oversizes	STD-010		STD-010	
		Connecting Rod Bearing	CB-555P	8	CB-555P	8
		Undersizes	P-10-20-30		P-10-20-30	
		Main Bearing Set	MS-1386P	1	MS-1386P	1
		Undersizes	P-10-20-30		P-10-20-30	
		Engine Valve Cover Gasket Set	VS39863	2	VS39863	2
		Engine Full Gasket Set / Engine Cylinder Head Gasket Set	FS12197JT	1	HS12197B	2
		Engine Timing Cover Seal / Engine Oil Pan Gasket Set	47095	1	OS31790	1
		Rear Main Seal	SS47870	1		

LINE #	NOTES	PART DESCRIPTION	OVERHAUL	QTY	IN-FRAME	QTY
8 (cont.)	4.2500" 568 CID (9.3L) 8 Cyl Engine Code: '8V-71'					8 (cont.)
8.3	18.7:1 CR Naturally Aspirated Engines Contains Crosshead Piston 1.05" Port Height Sleeve OE Rod Bearing Number(s) 5149572 OE Main Bearing Number(s) 5149565 / 5117005	Kit Number	468-1055		468-5055	
		Cylinder Sleeve Assembly	226-1946	8	226-1946	8
		Oversizes	STD-001-010		STD-001-010	
		Connecting Rod Bearing	CB-555P	8	CB-555P	8
		Undersizes	P-10-20-30		P-10-20-30	
		Main Bearing Set	MS-1386P	1	MS-1386P	1
		Undersizes	P-10-20-30		P-10-20-30	
		Engine Full Gasket Set / Engine Cylinder Head Gasket Set	FS12197JT	1	HS12197B	2
		Engine Timing Cover Seal / Engine Oil Pan Gasket Set	47095	1	OS31790	1
Rear Main Seal	SS47870	1				

9	4.2500" 500 CID (8.2L) 8 Cyl Engine Code: '8.2L'					9
9.1	18.3:1 CR Naturally Aspirated Engines OE Rod Bearing Number(s) 8921714	Kit Number	468-1014		468-5014	
		Rebore Kit	225-3501	8	225-3501	8
		Oversizes	STD-030		STD-030	
		Connecting Rod Bearing	CB-1288P	8	CB-1288P	8
		Undersizes	P-10-20-30		P-10-20-30	
		Main Bearing Set	MS-1566P	1	MS-1566P	1
		Undersizes	P-10-20		P-10-20	
		Engine Cylinder Head Gasket Set	HS3983	1	HS3983	1
		Engine Conversion Gasket Set / Engine Oil Pan Gasket Set	CS3983	1	OS30938	1
Rear Main Seal	47913	1				
9.2	17.0:1 CR Turbocharged Engines OE Rod Bearing Number(s) 8921714	Kit Number	468-1015		468-5015	
		Rebore Kit	225-3502	8	225-3502	8
		Oversizes	STD-030		STD-030	
		Connecting Rod Bearing	CB-1288P	8	CB-1288P	8
		Undersizes	P-10-20-30		P-10-20-30	
		Main Bearing Set	MS-1566P	1	MS-1566P	1
		Undersizes	P-10-20		P-10-20	
		Engine Cylinder Head Gasket Set	HS3983	1	HS3983	1
		Engine Conversion Gasket Set / Engine Oil Pan Gasket Set	CS3983	1	OS30938	1
Rear Main Seal	47913	1				

LINE #	NOTES	PART DESCRIPTION	OVERHAUL	QTY	IN-FRAME	QTY
10	4.2500" 852 CID (14.0L) 12 Cyl Engine Code: '12V-71'					10
10.1	18.7:1 CR Naturally Aspirated Engines 4-Valve Cylinder Head 1.05" Port Height Sleeve Contains Trunk Style Piston Contains Steel Valve Cover OE Rod Bearing Number(s) 5149572	Kit Number	468-1060			
		Cylinder Sleeve Assembly	226-1633	12		
		Undersizes	STD-010			
		Connecting Rod Bearing	CB-555P	12		
		Undersizes	P-10-20-30			
		Main Bearings	MB-2687P	7		
		Undersizes	P-10-20-30			
		Thrust Washer Set	TW-402S	1		
		Engine Full Gasket Set	FS12197K	1		
		Rear Main Seal	SS47870	1		
		Engine Valve Cover Gasket Set	VS39864	2		
	Engine Timing Cover Seal	47095	1			
10.2	18.7:1 CR Naturally Aspirated Engines Contains Crosshead Piston 1.05" Port Height Sleeve Contains Steel Valve Cover OE Rod Bearing Number(s) 5149572	Kit Number	468-1061			
		Cylinder Sleeve Assembly	226-1946	12		
		Undersizes	STD-001-010			
		Connecting Rod Bearing	CB-555P	12		
		Undersizes	P-10-20-30			
		Main Bearings	MB-2687P	7		
		Undersizes	P-10-20-30			
		Thrust Washer Set	TW-402S	1		
		Engine Full Gasket Set	FS12197K	1		
		Rear Main Seal	SS47870	1		
		Engine Valve Cover Gasket Set	VS39864	2		
	Engine Timing Cover Seal	47095	1			
11	4.2500" 1136 CID (18.6L) 16 Cyl Engine Code: '16V-71'					11
11.1	18.7:1 CR Naturally Aspirated Engines Contains Trunk Style Piston 1.05" Port Height Sleeve 4-Valve Cylinder Head Contains Steel Valve Cover OE Rod Bearing Number(s) 5149572	Kit Number			468-5065	
		Cylinder Sleeve Assembly			226-1633	16
		Oversizes			STD-010	
		Connecting Rod Bearing			CB-555P	16
		Undersizes			P-10-20-30	
		Main Bearings			MB-2687P	10
		Undersizes			P-10-20-30	
		Thrust Washer Set			TW-402S	1
		Engine Valve Cover Gasket Set			VS39859	4
	Engine Cylinder Head Gasket Set			HS12197J	4	

LINE #	NOTES	PART DESCRIPTION	OVERHAUL	QTY	IN-FRAME	QTY
11 (cont.)	4.2500" 1136 CID (18.6L) 16 Cyl Engine Code: '16V-71'					11 (cont.)
11.2	18.7:1 CR Naturally Aspirated Engines Contains Crosshead Piston 1.05" Port Height Sleeve Contains Steel Valve Cover OE Rod Bearing Number(s) 5149572	Kit Number			468-5066	
		Cylinder Sleeve Assembly			226-1946	16
		Oversizes			STD-001-010	
		Connecting Rod Bearing			CB-555P	16
		Undersizes			P-10-20-30	
		Main Bearings			MB-2687P	10
		Undersizes			P-10-20-30	
		Thrust Washer Set			TW-402S	1
		Engine Valve Cover Gasket Set			VS39859	4
		Engine Cylinder Head Gasket Set			HS12197J	4
12	5.1180" 677 CID (11.1L) 6 Cyl ; SOHC 60 Series					12
12.1	Crownless Kit With Standard Liner Narrow Bearing 2.5MM Top Ring Contains OE# Skirt 23516681 OE Rod Bearing Number(s) 8929710 OE Main Bearing Number(s) 8929670, 8929680	Kit Number	468-1082		468-5082	
		Cylinder Sleeve Assembly	226-1938	6	226-1938	6
		Connecting Rod Bearing	CB-1662P	6	CB-1662P	6
		Undersizes	P-10		P-10	
		Main Bearing Set	MS-2093P	1	MS-2093P	1
		Undersizes	P-10-20		P-10-20	
		Thrust Washer Set	TW-600S	1	TW-600S	1
		Engine Valve Cover Gasket Set	VS50278	1	VS50278	1
		Engine Cylinder Head Gasket Set	HS54157	1	HS54157	1
		Engine Oil Pan Gasket Set	OS32204	1	OS32204	1
		Engine Conversion Gasket Set	CS54157A	1		
12.2	Crownless Kit With Standard Liner Wide Bearing 2.5MM Top Ring Contains OE# Skirt 23516681 OE Rod Bearing Number(s) 23515581 OE Main Bearing Number(s) 8929670, 8929680	Kit Number	468-1084		468-5084	
		Cylinder Sleeve Assembly	226-1938	6	226-1938	6
		Connecting Rod Bearing	CB-1792P	6	CB-1792P	6
		Undersizes	P-25MM-50MM		P-25MM-50MM	
		Main Bearing Set	MS-2093P	1	MS-2093P	1
		Undersizes	P-10-20		P-10-20	
		Thrust Washer Set	TW-600S	1	TW-600S	1
		Engine Valve Cover Gasket Set	VS50278	1	VS50278	1
		Engine Cylinder Head Gasket Set	HS54157	1	HS54157	1
		Engine Oil Pan Gasket Set	OS32204	1	OS32204	1
		Engine Conversion Gasket Set	CS54157A	1		

LINE #	NOTES	PART DESCRIPTION	OVERHAUL	QTY	IN-FRAME	QTY
12 (cont.)	5.1180" 677 CID (11.1L) 6 Cyl ; SOHC 60 Series					12 (cont.)
12.3	Crownless Kit Top Liner Cooling-Liner Narrow Bearing 2.5MM Top Ring Contains OE# Skirt 23516681 OE Rod Bearing Number(s) 8929710 OE Main Bearing Number(s) 8929670, 8929680	Kit Number	468-1086	468-5086		
		Cylinder Sleeve Assembly	226-1937	6	226-1937	6
		Connecting Rod Bearing	CB-1662P	6	CB-1662P	6
		Undersizes	P-10		P-10	
		Main Bearing Set	MS-2093P	1	MS-2093P	1
		Undersizes	P-10-20		P-10-20	
		Thrust Washer Set	TW-600S	1	TW-600S	1
		Engine Valve Cover Gasket Set	VS50278	1	VS50278	1
		Engine Cylinder Head Gasket Set	HS54157	1	HS54157	1
		Engine Oil Pan Gasket Set	OS32204	1	OS32204	1
		Engine Conversion Gasket Set	CS54157A	1		
12.4	Crownless Kit Top Liner Cooling-Liner Wide Bearing 2.5MM Top Ring Contains OE# Skirt 23516681 OE Rod Bearing Number(s) 23515581 OE Main Bearing Number(s) 8929670, 8929680	Kit Number	468-1088	468-5088		
		Cylinder Sleeve Assembly	226-1937	6	226-1937	6
		Connecting Rod Bearing	CB-1792P	6	CB-1792P	6
		Undersizes	P-25MM-50MM		P-25MM-50MM	
		Main Bearing Set	MS-2093P	1	MS-2093P	1
		Undersizes	P-10-20		P-10-20	
		Thrust Washer Set	TW-600S	1	TW-600S	1
		Engine Valve Cover Gasket Set	VS50278	1	VS50278	1
		Engine Cylinder Head Gasket Set	HS54157	1	HS54157	1
		Engine Oil Pan Gasket Set	OS32204	1	OS32204	1
		Engine Conversion Gasket Set	CS54157A	1		
12.5	Premium Kit 15.0:1 CR 22MM Piston Pin 2.5MM Top Ring Contains OE# Piston Assembly 23530666 OE Rod Bearing Number(s) 23526142 OE Main Bearing Number(s) 8929670, 8929680	Kit Number	468-1094	468-5094		
		Cylinder Sleeve Assembly	226-1990	6	226-1990	6
		Connecting Rod Bearing	CB-1836P	6	CB-1836P	6
		Undersizes	P-25MM-50MM		P-25MM-50MM	
		Main Bearing Set	MS-2093P	1	MS-2093P	1
		Undersizes	P-10-20		P-10-20	
		Thrust Washer Set	TW-600S	1	TW-600S	1
		Camshaft Bearing	SH-1986	7	SH-1986	7
		Engine Full Gasket Set / Engine Cylinder Head Gasket Set	FS54157	1	HS54157	1
		Engine Valve Cover Gasket Set	VS50278	1	VS50278	1
		Engine Oil Pan Gasket Set	OS32204	1	OS32204	1
		Engine Cylinder Head Bolt Set	GS33539	1	GS33539	1
		Fuel Injection Nozzle O-Ring	GS33448	6	GS33448	6
		Rear Main Seal	67744	1		
		Engine Timing Cover Seal	67745	1		

LINE #	NOTES	PART DESCRIPTION	OVERHAUL	QTY	IN-FRAME	QTY
12 (cont.)	5.1180" 677 CID (11.1L) 6 Cyl ; SOHC 60 Series					12 (cont.)
12.6	15.0:1 CR 22MM Piston Pin 2.5MM Top Ring Contains OE# Piston Assembly 23530666 OE Rod Bearing Number(s) 23526142 OE Main Bearing Number(s) 8929670, 8929680	Kit Number	468-1095	468-5095		
		Cylinder Sleeve Assembly	226-1990	6	226-1990	6
		Connecting Rod Bearing	CB-1836P	6	CB-1836P	6
		Undersizes	P-25MM-50MM	P-25MM-50MM		
		Main Bearing Set	MS-2093P	1	MS-2093P	1
		Undersizes	P-10-20	P-10-20		
		Thrust Washer Set	TW-600S	1	TW-600S	1
		Engine Full Gasket Set / Engine Cylinder Head Gasket Set	FS54157	1	HS54157	1
		Engine Oil Pan Gasket Set	OS32204	1	OS32204	1
12.7	15.0:1 CR 26MM Piston Pin 2.5MM Top Ring Contains OE# Piston Assembly 23532882 OE Rod Bearing Number(s) 23526142 OE Main Bearing Number(s) 8929670, 8929680	Kit Number	468-1096	468-5096		
		Cylinder Sleeve Assembly	226-1991	6	226-1991	6
		Connecting Rod Bearing	CB-1836P	6	CB-1836P	6
		Undersizes	P-25MM-50MM	P-25MM-50MM		
		Main Bearing Set	MS-2093P	1	MS-2093P	1
		Undersizes	P-10-20	P-10-20		
		Thrust Washer Set	TW-600S	1	TW-600S	1
		Engine Full Gasket Set / Engine Cylinder Head Gasket Set	FS54157	1	HS54157	1
		Engine Oil Pan Gasket Set	OS32204	1	OS32204	1
12.8	16.5:1 CR 22MM Piston Pin 2.5MM Top Ring Contains OE# Piston Assembly 23530668 OE Rod Bearing Number(s) 23526142 OE Main Bearing Number(s) 8929670, 8929680	Kit Number	468-1097	468-5097		
		Cylinder Sleeve Assembly	226-1992	6	226-1992	6
		Connecting Rod Bearing	CB-1836P	6	CB-1836P	6
		Undersizes	P-25MM-50MM	P-25MM-50MM		
		Main Bearing Set	MS-2093P	1	MS-2093P	1
		Undersizes	P-10-20	P-10-20		
		Thrust Washer Set	TW-600S	1	TW-600S	1
		Engine Full Gasket Set / Engine Cylinder Head Gasket Set	FS54157	1	HS54157	1
		Engine Oil Pan Gasket Set	OS32204	1	OS32204	1
12.9	16.5:1 CR 26MM Piston Pin 2.5MM Top Ring Contains OE# Piston Assembly 23532884 OE Rod Bearing Number(s) 23526142 OE Main Bearing Number(s) 8929670, 8929680	Kit Number	468-1098	468-5098		
		Cylinder Sleeve Assembly	226-1993	6	226-1993	6
		Connecting Rod Bearing	CB-1836P	6	CB-1836P	6
		Undersizes	P-25MM-50MM	P-25MM-50MM		
		Main Bearing Set	MS-2093P	1	MS-2093P	1
		Undersizes	P-10-20	P-10-20		
		Thrust Washer Set	TW-600S	1	TW-600S	1
		Engine Full Gasket Set / Engine Cylinder Head Gasket Set	FS54157	1	HS54157	1
		Engine Oil Pan Gasket Set	OS32204	1	OS32204	1

LINE #	NOTES	PART DESCRIPTION	OVERHAUL	QTY	IN-FRAME	QTY
12 (cont.)	5.1180" 677 CID (11.1L) 6 Cyl ; SOHC 60 Series					12 (cont.)
12.10	Premium Kit 15.0:1 CR 26MM Piston Pin 2.5MM Top Ring Contains OE# Piston Assembly 23532882 OE Rod Bearing Number(s) 23526142 OE Main Bearing Number(s) 8929670, 8929680	Kit Number	468-1099		468-5099	
		Cylinder Sleeve Assembly	226-1991	6	226-1991	6
		Connecting Rod Bearing	CB-1836P	6	CB-1836P	6
		Undersizes	P-25MM-50MM		P-25MM-50MM	
		Main Bearing Set	MS-2093P	1	MS-2093P	1
		Undersizes	P-10-20		P-10-20	
		Thrust Washer Set	TW-600S	1	TW-600S	1
		Camshaft Bearing	SH-1986	7	SH-1986	7
		Engine Valve Cover Gasket Set	VS50278	1	VS50278	1
		Engine Full Gasket Set / Engine Cylinder Head Gasket Set	FS54157	1	HS54157	1
		Engine Oil Pan Gasket Set	OS32204	1	OS32204	1
		Engine Cylinder Head Bolt Set	GS33539	1	GS33539	1
		Fuel Injection Nozzle O-Ring	GS33448	6	GS33448	6
		Rear Main Seal	67744	1		
Engine Timing Cover Seal	67745	1				
12.11	Premium Kit 16.5:1 CR 22MM Piston Pin 2.5MM Top Ring Contains OE# Piston Assembly 23530668 OE Rod Bearing Number(s) 23526142 OE Main Bearing Number(s) 8929670, 8929680	Kit Number	468-1100		468-5100	
		Cylinder Sleeve Assembly	226-1992	6	226-1992	6
		Connecting Rod Bearing	CB-1836P	6	CB-1836P	6
		Undersizes	P-25MM-50MM		P-25MM-50MM	
		Main Bearing Set	MS-2093P	1	MS-2093P	1
		Undersizes	P-10-20		P-10-20	
		Thrust Washer Set	TW-600S	1	TW-600S	1
		Camshaft Bearing	SH-1986	7	SH-1986	7
		Engine Valve Cover Gasket Set	VS50278	1	VS50278	1
		Engine Full Gasket Set / Engine Cylinder Head Gasket Set	FS54157	1	HS54157	1
		Engine Oil Pan Gasket Set	OS32204	1	OS32204	1
		Engine Cylinder Head Bolt Set	GS33539	1	GS33539	1
		Fuel Injection Nozzle O-Ring	GS33448	6	GS33448	6
		Rear Main Seal	67744	1		
Engine Timing Cover Seal	67745	1				

LINE #	NOTES	PART DESCRIPTION	OVERHAUL	QTY	IN-FRAME	QTY
12 (cont.)	5.1180" 677 CID (11.1L) 6 Cyl ; SOHC 60 Series					12 (cont.)
12.12	Premium Kit 16.5:1 CR 26MM Piston Pin 2.5MM Top Ring Contains OE# Piston Assembly 23532884 OE Rod Bearing Number(s) 23526142 OE Main Bearing Number(s) 8929670, 8929680	Kit Number	468-1101		468-5101	
		Cylinder Sleeve Assembly	226-1993	6	226-1993	6
		Connecting Rod Bearing	CB-1836P	6	CB-1836P	6
		Undersizes	P-25MM-50MM		P-25MM-50MM	
		Main Bearing Set	MS-2093P	1	MS-2093P	1
		Undersizes	P-10-20		P-10-20	
		Thrust Washer Set	TW-600S	1	TW-600S	1
		Camshaft Bearing	SH-1986	7	SH-1986	7
		Engine Valve Cover Gasket Set	VS50278	1	VS50278	1
		Engine Full Gasket Set / Engine Cylinder Head Gasket Set	FS54157	1	HS54157	1
		Engine Oil Pan Gasket Set	OS32204	1	OS32204	1
		Engine Cylinder Head Bolt Set	GS33539	1	GS33539	1
		Fuel Injection Nozzle O-Ring	GS33448	6	GS33448	6
		Rear Main Seal	67744	1		
Engine Timing Cover Seal	67745	1				
13	5.1180" 778 CID (12.7L) 6 Cyl ; Turbocharged SOHC 60 Series					13
13.1	Crownless Kit With Standard Liner Narrow Bearing 2.5MM Top Ring Contains OE# Skirt 23516681 OE Rod Bearing Number(s) 8929710 OE Main Bearing Number(s) 8929670, 8929680	Kit Number	468-1082		468-5082	
		Cylinder Sleeve Assembly	226-1938	6	226-1938	6
		Connecting Rod Bearing	CB-1662P	6	CB-1662P	6
		Undersizes	P-10		P-10	
		Main Bearing Set	MS-2093P	1	MS-2093P	1
		Undersizes	P-10-20		P-10-20	
		Thrust Washer Set	TW-600S	1	TW-600S	1
		Engine Valve Cover Gasket Set	VS50278	1	VS50278	1
		Engine Cylinder Head Gasket Set	HS54157	1	HS54157	1
		Engine Oil Pan Gasket Set	OS32204	1	OS32204	1
		Engine Conversion Gasket Set	CS54157A	1		
		13.2	Crownless Kit With Standard Liner Wide Bearing 2.5MM Top Ring Contains OE# Skirt 23516681 OE Rod Bearing Number(s) 23515581 OE Main Bearing Number(s) 8929670, 8929680	Kit Number	468-1084	
Cylinder Sleeve Assembly	226-1938			6	226-1938	6
Connecting Rod Bearing	CB-1792P			6	CB-1792P	6
Undersizes	P-25MM-50MM				P-25MM-50MM	
Main Bearing Set	MS-2093P			1	MS-2093P	1
Undersizes	P-10-20				P-10-20	
Thrust Washer Set	TW-600S			1	TW-600S	1
Engine Valve Cover Gasket Set	VS50278			1	VS50278	1
Engine Cylinder Head Gasket Set	HS54157			1	HS54157	1
Engine Oil Pan Gasket Set	OS32204			1	OS32204	1
Engine Conversion Gasket Set	CS54157A			1		

LINE #	NOTES	PART DESCRIPTION	OVERHAUL	QTY	IN-FRAME	QTY
13 (cont.)	5.1180" 778 CID (12.7L) 6 Cyl ; Turbocharged SOHC 60 Series					13 (cont.)
13.3	Crownless Kit Top Liner Cooling-Liner Narrow Bearing 2.5MM Top Ring Contains OE# Skirt 23516681 OE Rod Bearing Number(s) 8929710 OE Main Bearing Number(s) 8929670, 8929680	Kit Number	468-1086	468-5086		
		Cylinder Sleeve Assembly	226-1937	6	226-1937	6
		Connecting Rod Bearing	CB-1662P	6	CB-1662P	6
		Undersizes	P-10		P-10	
		Main Bearing Set	MS-2093P	1	MS-2093P	1
		Undersizes	P-10-20		P-10-20	
		Thrust Washer Set	TW-600S	1	TW-600S	1
		Engine Valve Cover Gasket Set	VS50278	1	VS50278	1
		Engine Cylinder Head Gasket Set	HS54157	1	HS54157	1
		Engine Oil Pan Gasket Set	OS32204	1	OS32204	1
		Engine Conversion Gasket Set	CS54157A	1		
13.4	Crownless Kit Top Liner Cooling-Liner Wide Bearing 2.5MM Top Ring Contains OE# Skirt 23516681 OE Rod Bearing Number(s) 23515581 OE Main Bearing Number(s) 8929670, 8929680	Kit Number	468-1088	468-5088		
		Cylinder Sleeve Assembly	226-1937	6	226-1937	6
		Connecting Rod Bearing	CB-1792P	6	CB-1792P	6
		Undersizes	P-25MM-50MM		P-25MM-50MM	
		Main Bearing Set	MS-2093P	1	MS-2093P	1
		Undersizes	P-10-20		P-10-20	
		Thrust Washer Set	TW-600S	1	TW-600S	1
		Engine Valve Cover Gasket Set	VS50278	1	VS50278	1
		Engine Cylinder Head Gasket Set	HS54157	1	HS54157	1
		Engine Oil Pan Gasket Set	OS32204	1	OS32204	1
		Engine Conversion Gasket Set	CS54157A	1		
13.5	Premium Kit 15.0:1 CR 22MM Piston Pin 2.5MM Top Ring Contains OE# Piston Assembly 23530666 OE Rod Bearing Number(s) 23526142 OE Main Bearing Number(s) 8929670, 8929680	Kit Number	468-1094	468-5094		
		Cylinder Sleeve Assembly	226-1990	6	226-1990	6
		Connecting Rod Bearing	CB-1836P	6	CB-1836P	6
		Undersizes	P-25MM-50MM		P-25MM-50MM	
		Main Bearing Set	MS-2093P	1	MS-2093P	1
		Undersizes	P-10-20		P-10-20	
		Thrust Washer Set	TW-600S	1	TW-600S	1
		Camshaft Bearing	SH-1986	7	SH-1986	7
		Engine Full Gasket Set / Engine Cylinder Head Gasket Set	FS54157	1	HS54157	1
		Engine Valve Cover Gasket Set	VS50278	1	VS50278	1
		Engine Oil Pan Gasket Set	OS32204	1	OS32204	1
		Engine Cylinder Head Bolt Set	GS33539	1	GS33539	1
		Fuel Injection Nozzle O-Ring	GS33448	6	GS33448	6
		Rear Main Seal	67744	1		
		Engine Timing Cover Seal	67745	1		

LINE #	NOTES	PART DESCRIPTION	OVERHAUL	QTY	IN-FRAME	QTY
13 (cont.)	5.1180" 778 CID (12.7L) 6 Cyl ; Turbocharged SOHC 60 Series					13 (cont.)
13.6	15.0:1 CR 22MM Piston Pin 2.5MM Top Ring Contains OE# Piston Assembly 23530666 OE Rod Bearing Number(s) 23526142 OE Main Bearing Number(s) 8929670, 8929680	Kit Number	468-1095	468-5095		
		Cylinder Sleeve Assembly	226-1990	6	226-1990	6
		Connecting Rod Bearing	CB-1836P	6	CB-1836P	6
		Undersizes	P-25MM-50MM	P-25MM-50MM		
		Main Bearing Set	MS-2093P	1	MS-2093P	1
		Undersizes	P-10-20	P-10-20		
		Thrust Washer Set	TW-600S	1	TW-600S	1
		Engine Full Gasket Set / Engine Cylinder Head Gasket Set	FS54157	1	HS54157	1
		Engine Oil Pan Gasket Set	OS32204	1	OS32204	1
13.7	15.0:1 CR 26MM Piston Pin 2.5MM Top Ring Contains OE# Piston Assembly 23532882 OE Rod Bearing Number(s) 23526142 OE Main Bearing Number(s) 8929670, 8929680	Kit Number	468-1096	468-5096		
		Cylinder Sleeve Assembly	226-1991	6	226-1991	6
		Connecting Rod Bearing	CB-1836P	6	CB-1836P	6
		Undersizes	P-25MM-50MM	P-25MM-50MM		
		Main Bearing Set	MS-2093P	1	MS-2093P	1
		Undersizes	P-10-20	P-10-20		
		Thrust Washer Set	TW-600S	1	TW-600S	1
		Engine Full Gasket Set / Engine Cylinder Head Gasket Set	FS54157	1	HS54157	1
		Engine Oil Pan Gasket Set	OS32204	1	OS32204	1
13.8	16.5:1 CR 22MM Piston Pin 2.5MM Top Ring Contains OE# Piston Assembly 23530668 OE Rod Bearing Number(s) 23526142 OE Main Bearing Number(s) 8929670, 8929680	Kit Number	468-1097	468-5097		
		Cylinder Sleeve Assembly	226-1992	6	226-1992	6
		Connecting Rod Bearing	CB-1836P	6	CB-1836P	6
		Undersizes	P-25MM-50MM	P-25MM-50MM		
		Main Bearing Set	MS-2093P	1	MS-2093P	1
		Undersizes	P-10-20	P-10-20		
		Thrust Washer Set	TW-600S	1	TW-600S	1
		Engine Full Gasket Set / Engine Cylinder Head Gasket Set	FS54157	1	HS54157	1
		Engine Oil Pan Gasket Set	OS32204	1	OS32204	1
13.9	16.5:1 CR 26MM Piston Pin 2.5MM Top Ring Contains OE# Piston Assembly 23532884 OE Rod Bearing Number(s) 23526142 OE Main Bearing Number(s) 8929670, 8929680	Kit Number	468-1098	468-5098		
		Cylinder Sleeve Assembly	226-1993	6	226-1993	6
		Connecting Rod Bearing	CB-1836P	6	CB-1836P	6
		Undersizes	P-25MM-50MM	P-25MM-50MM		
		Main Bearing Set	MS-2093P	1	MS-2093P	1
		Undersizes	P-10-20	P-10-20		
		Thrust Washer Set	TW-600S	1	TW-600S	1
		Engine Full Gasket Set / Engine Cylinder Head Gasket Set	FS54157	1	HS54157	1
		Engine Oil Pan Gasket Set	OS32204	1	OS32204	1

LINE #	NOTES	PART DESCRIPTION	OVERHAUL	QTY	IN-FRAME	QTY
13 (cont.)	5.1180" 778 CID (12.7L) 6 Cyl ; Turbocharged SOHC 60 Series					13 (cont.)
13.10	Premium Kit 15.0:1 CR 26MM Piston Pin 2.5MM Top Ring Contains OE# Piston Assembly 23532882 OE Rod Bearing Number(s) 23526142 OE Main Bearing Number(s) 8929670, 8929680	Kit Number	468-1099		468-5099	
		Cylinder Sleeve Assembly	226-1991	6	226-1991	6
		Connecting Rod Bearing	CB-1836P	6	CB-1836P	6
		Undersizes	P-25MM-50MM		P-25MM-50MM	
		Main Bearing Set	MS-2093P	1	MS-2093P	1
		Undersizes	P-10-20		P-10-20	
		Thrust Washer Set	TW-600S	1	TW-600S	1
		Camshaft Bearing	SH-1986	7	SH-1986	7
		Engine Valve Cover Gasket Set	VS50278	1	VS50278	1
		Engine Full Gasket Set / Engine Cylinder Head Gasket Set	FS54157	1	HS54157	1
		Engine Oil Pan Gasket Set	OS32204	1	OS32204	1
		Engine Cylinder Head Bolt Set	GS33539	1	GS33539	1
		Fuel Injection Nozzle O-Ring	GS33448	6	GS33448	6
		Rear Main Seal	67744	1		
		Engine Timing Cover Seal	67745	1		
13.11	Premium Kit 16.5:1 CR 22MM Piston Pin 2.5MM Top Ring Contains OE# Piston Assembly 23530668 OE Rod Bearing Number(s) 23526142 OE Main Bearing Number(s) 8929670, 8929680	Kit Number	468-1100		468-5100	
		Cylinder Sleeve Assembly	226-1992	6	226-1992	6
		Connecting Rod Bearing	CB-1836P	6	CB-1836P	6
		Undersizes	P-25MM-50MM		P-25MM-50MM	
		Main Bearing Set	MS-2093P	1	MS-2093P	1
		Undersizes	P-10-20		P-10-20	
		Thrust Washer Set	TW-600S	1	TW-600S	1
		Camshaft Bearing	SH-1986	7	SH-1986	7
		Engine Valve Cover Gasket Set	VS50278	1	VS50278	1
		Engine Full Gasket Set / Engine Cylinder Head Gasket Set	FS54157	1	HS54157	1
		Engine Oil Pan Gasket Set	OS32204	1	OS32204	1
		Engine Cylinder Head Bolt Set	GS33539	1	GS33539	1
		Fuel Injection Nozzle O-Ring	GS33448	6	GS33448	6
		Rear Main Seal	67744	1		
		Engine Timing Cover Seal	67745	1		

LINE #	NOTES	PART DESCRIPTION	OVERHAUL	QTY	IN-FRAME	QTY
13 (cont.)	5.1180" 778 CID (12.7L) 6 Cyl ; Turbocharged SOHC 60 Series					13 (cont.)
13.12	Premium Kit 16.5:1 CR 26MM Piston Pin 2.5MM Top Ring Contains OE# Piston Assembly 23532884 OE Rod Bearing Number(s) 23526142 OE Main Bearing Number(s) 8929670, 8929680	Kit Number	468-1101		468-5101	
		Cylinder Sleeve Assembly	226-1993	6	226-1993	6
		Connecting Rod Bearing	CB-1836P	6	CB-1836P	6
		Undersizes	P-25MM-50MM		P-25MM-50MM	
		Main Bearing Set	MS-2093P	1	MS-2093P	1
		Undersizes	P-10-20		P-10-20	
		Thrust Washer Set	TW-600S	1	TW-600S	1
		Camshaft Bearing	SH-1986	7	SH-1986	7
		Engine Valve Cover Gasket Set	VS50278	1	VS50278	1
		Engine Full Gasket Set / Engine Cylinder Head Gasket Set	FS54157	1	HS54157	1
		Engine Oil Pan Gasket Set	OS32204	1	OS32204	1
		Engine Cylinder Head Bolt Set	GS33539	1	GS33539	1
		Fuel Injection Nozzle O-Ring	GS33448	6	GS33448	6
		Rear Main Seal	67744	1		
		Engine Timing Cover Seal	67745	1		
14	5.2400" 855 CID (14.0L) 6 Cyl / 24 Valves; Turbocharged SOHC 60 Series					14
14.1	15.0:1 CR Bushingless Contains OE# Piston Assembly 23530660 OE Rod Bearing Number(s) 23526141 OE Main Bearing Number(s) 8929670, 8929680	Kit Number	468-1104		468-5104	
		Cylinder Sleeve Assembly	226-2043	6	226-2043	6
		Connecting Rod Bearing	CB-1902P	6	CB-1902P	6
		Undersizes	P-25MM-50MM		P-25MM-50MM	
		Main Bearing Set	MS-2093P	1	MS-2093P	1
		Undersizes	P-10-20		P-10-20	
		Thrust Washer Set	TW-600S	1	TW-600S	1
		Engine Full Gasket Set / Engine Cylinder Head Gasket Set	FS54157-A	1	HS54157	1
		Engine Oil Pan Gasket Set	OS32204	1	OS32204	1
		<i>Optional</i>	OS32382	1	OS32382	1
14.2	16.0:1 CR Oval Piston Design Bushingless Contains OE# Piston Assembly 23530662 OE Rod Bearing Number(s) 23526141 OE Main Bearing Number(s) 8929670, 8929680	Kit Number	468-1105		468-5105	
		Cylinder Sleeve Assembly	226-2044	6	226-2044	6
		Connecting Rod Bearing	CB-1902P	6	CB-1902P	6
		Undersizes	P-25MM-50MM		P-25MM-50MM	
		Main Bearing Set	MS-2093P	1	MS-2093P	1
		Undersizes	P-10-20		P-10-20	
		Thrust Washer Set	TW-600S	1	TW-600S	1
		Engine Full Gasket Set / Engine Cylinder Head Gasket Set	FS54157-A	1	HS54157	1
		Engine Oil Pan Gasket Set	OS32204	1	OS32204	1
		<i>Optional</i>	OS32382	1	OS32382	1

LINE #	NOTES	PART DESCRIPTION	OVERHAUL	QTY	IN-FRAME	QTY
14 (cont.)	5.2400" 855 CID (14.0L) 6 Cyl / 24 Valves; Turbocharged SOHC 60 Series					14 (cont.)
14.3	16.0:1 CR Cut Back Design Contains OE# Piston Assembly 23530664 OE Rod Bearing Number(s) 23526141 OE Main Bearing Number(s) 8929670, 8929680	Kit Number	468-1106	468-5106		
		Cylinder Sleeve Assembly	226-2045	6	226-2045	6
		Connecting Rod Bearing	CB-1902P	6	CB-1902P	6
		Undersizes	P-25MM-50MM		P-25MM-50MM	
		Main Bearing Set	MS-2093P	1	MS-2093P	1
		Undersizes	P-10-20		P-10-20	
		Thrust Washer Set	TW-600S	1	TW-600S	1
		Engine Full Gasket Set / Engine Cylinder Head Gasket Set	FS54157-A	1	HS54157	1
		Engine Oil Pan Gasket Set	OS32204	1	OS32204	1
		<i>Optional</i>	OS32382	1	OS32382	1
14.4	15.1:1 CR Marine 3MM Top Ring Contains OE# Piston Assembly 23533453 OE Rod Bearing Number(s) 23526141 OE Main Bearing Number(s) 8929670, 8929680	Kit Number	468-1107	468-5107		
		Cylinder Sleeve Assembly	226-2046	6	226-2046	6
		Connecting Rod Bearing	CB-1902P	6	CB-1902P	6
		Undersizes	P-25MM-50MM		P-25MM-50MM	
		Main Bearing Set	MS-2093P	1	MS-2093P	1
		Undersizes	P-10-20		P-10-20	
		Thrust Washer Set	TW-600S	1	TW-600S	1
		Engine Full Gasket Set / Engine Cylinder Head Gasket Set	FS54157-A	1	HS54157	1
		Engine Oil Pan Gasket Set	OS32204	1	OS32204	1
		<i>Optional</i>	OS32382	1	OS32382	1
14.5	15.0:1 CR Bushingless With Machined Notches In Bearing Caps Contains OE# Piston Assembly 23530660 OE Rod Bearing Number(s) 23526141 OE Main Bearing Number(s) 23533252, 23533259	Kit Number	468-1108	468-5108		
		Cylinder Sleeve Assembly	226-2043	6	226-2043	6
		Connecting Rod Bearing	CB-1902P	6	CB-1902P	6
		Undersizes	P-25MM-50MM		P-25MM-50MM	
		Main Bearing Set	MS-2310P	1	MS-2310P	1
		Undersizes	P-10-20		P-10-20	
		Thrust Washer Set	TW-696S	1	TW-696S	1
		Engine Full Gasket Set / Engine Cylinder Head Gasket Set	FS54157-A	1	HS54157	1
		Engine Oil Pan Gasket Set	OS32204	1	OS32204	1
		<i>Optional</i>	OS32382	1	OS32382	1
14.6	16.0:1 CR Oval Piston Design Bushingless With Machined Notches In Bearing Caps Contains OE# Piston Assembly 23530662 OE Rod Bearing Number(s) 23526141 OE Main Bearing Number(s) 23533252, 23533259	Kit Number	468-1109	468-5109		
		Cylinder Sleeve Assembly	226-2044	6	226-2044	6
		Connecting Rod Bearing	CB-1902P	6	CB-1902P	6
		Undersizes	P-25MM-50MM		P-25MM-50MM	
		Main Bearing Set	MS-2310P	1	MS-2310P	1
		Undersizes	P-10-20		P-10-20	
		Thrust Washer Set	TW-696S	1	TW-696S	1
		Engine Full Gasket Set / Engine Cylinder Head Gasket Set	FS54157-A	1	HS54157	1
		Engine Oil Pan Gasket Set	OS32204	1	OS32204	1
		<i>Optional</i>	OS32382	1	OS32382	1

LINE #	NOTES	PART DESCRIPTION	OVERHAUL	QTY	IN-FRAME	QTY
14 (cont.)	5.2400" 855 CID (14.0L) 6 Cyl / 24 Valves; Turbocharged SOHC 60 Series					14 (cont.)
14.7	16.0:1 CR Cut Back Design With Machined Notches In Bearing Caps Contains OE# Piston Assembly 23530664 OE Rod Bearing Number(s) 23526141 OE Main Bearing Number(s) 23533252, 23533259	Kit Number	468-1110	468-5110		
		Cylinder Sleeve Assembly	226-2045	6	226-2045	6
		Connecting Rod Bearing	CB-1902P	6	CB-1902P	6
		Undersizes	P-25MM-50MM		P-25MM-50MM	
		Main Bearing Set	MS-2310P	1	MS-2310P	1
		Undersizes	P-10-20		P-10-20	
		Thrust Washer Set	TW-696S	1	TW-696S	1
		Engine Full Gasket Set / Engine Cylinder Head Gasket Set	FS54157-A	1	HS54157	1
		Engine Oil Pan Gasket Set	OS32204	1	OS32204	1
		<i>Optional</i>	OS32382	1	OS32382	1
14.8	15.1:1 CR Marine 3MM Top Ring Contains OE# Piston Assembly 23533453 OE Rod Bearing Number(s) 23526141 OE Main Bearing Number(s) 23533252, 23533259	Kit Number	468-1111	468-5111		
		Cylinder Sleeve Assembly	226-2046	6	226-2046	6
		Connecting Rod Bearing	CB-1902P	6	CB-1902P	6
		Undersizes	P-25MM-50MM		P-25MM-50MM	
		Main Bearing Set	MS-2310P	1	MS-2310P	1
		Undersizes	P-10-20		P-10-20	
		Thrust Washer Set	TW-696S	1	TW-696S	1
		Engine Full Gasket Set / Engine Cylinder Head Gasket Set	FS54157-A	1	HS54157	1
		Engine Oil Pan Gasket Set	OS32204	1	OS32204	1
		<i>Optional</i>	OS32382	1	OS32382	1
14.9	15.0:1 CR Bushingless Without Machined Notches In Bearing Caps Contains OE# Piston Assembly 23530660 OE Rod Bearing Number(s) 23526141 OE Main Bearing Number(s) 23532926, 23533252, 23533259, 23533263	Kit Number	468-1112	468-5112		
		Cylinder Sleeve Assembly	226-2043	6	226-2043	6
		Connecting Rod Bearing	CB-1902P	6	CB-1902P	6
		Undersizes	P-25MM-50MM		P-25MM-50MM	
		Main Bearing Set	MS-2313P	1	MS-2313P	1
		Undersizes	P-10-20		P-10-20	
		Thrust Washer Set	TW-700S	1	TW-700S	1
		Engine Full Gasket Set / Engine Cylinder Head Gasket Set	FS54157-A	1	HS54157	1
		Engine Oil Pan Gasket Set	OS32204	1	OS32204	1
		<i>Optional</i>	OS32382	1	OS32382	1
14.10	16.0:1 CR Oval Piston Design Bushingless Without Machined Notches In Bearing Caps Contains OE# Piston Assembly 23530662 OE Rod Bearing Number(s) 23526141 OE Main Bearing Number(s) 23532926, 23533252, 23533259, 23533263	Kit Number	468-1113	468-5113		
		Cylinder Sleeve Assembly	226-2044	6	226-2044	6
		Connecting Rod Bearing	CB-1902P	6	CB-1902P	6
		Undersizes	P-25MM-50MM		P-25MM-50MM	
		Main Bearing Set	MS-2313P	1	MS-2313P	1
		Undersizes	P-10-20		P-10-20	
		Thrust Washer Set	TW-700S	1	TW-700S	1
		Engine Full Gasket Set / Engine Cylinder Head Gasket Set	FS54157-A	1	HS54157	1
		Engine Oil Pan Gasket Set	OS32204	1	OS32204	1
		<i>Optional</i>	OS32382	1	OS32382	1

LINE #	NOTES	PART DESCRIPTION	OVERHAUL	QTY	IN-FRAME	QTY
14 (cont.)	5.2400" 855 CID (14.0L) 6 Cyl / 24 Valves; Turbocharged SOHC 60 Series					14 (cont.)
14.11	16.0:1 CR Cut Back Design Without Machined Notches In Bearing Caps Contains OE# Piston Assembly 23530664 OE Rod Bearing Number(s) 23526141 OE Main Bearing Number(s) 23532926, 23533252, 23533259, 23533263	Kit Number	468-1114	468-5114		
		Cylinder Sleeve Assembly	226-2045	6	226-2045	6
		Connecting Rod Bearing	CB-1902P	6	CB-1902P	6
		Undersizes	P-25MM-50MM		P-25MM-50MM	
		Main Bearing Set	MS-2313P	1	MS-2313P	1
		Undersizes	P-10-20		P-10-20	
		Thrust Washer Set	TW-700S	1	TW-700S	1
		Engine Full Gasket Set / Engine Cylinder Head Gasket Set	FS54157-A	1	HS54157	1
		Engine Oil Pan Gasket Set	OS32204	1	OS32204	1
		<i>Optional</i>	OS32382	1	OS32382	1
14.12	15.1:1 CR Marine 3MM Top Ring Without Machined Notches In Bearing Caps Contains OE# Piston Assembly 23533453 OE Rod Bearing Number(s) 23526141 OE Main Bearing Number(s) 23532926, 23533252, 23533259, 23533263	Kit Number	468-1115	468-5115		
		Cylinder Sleeve Assembly	226-2046	6	226-2046	6
		Connecting Rod Bearing	CB-1902P	6	CB-1902P	6
		Undersizes	P-25MM-50MM		P-25MM-50MM	
		Main Bearing Set	MS-2313P	1	MS-2313P	1
		Undersizes	P-10-20		P-10-20	
		Thrust Washer Set	TW-700S	1	TW-700S	1
		Engine Full Gasket Set / Engine Cylinder Head Gasket Set	FS54157-A	1	HS54157	1
		Engine Oil Pan Gasket Set	OS32204	1	OS32204	1
		<i>Optional</i>	OS32382	1	OS32382	1
14.13	Premium Kit 15.0:1 CR Bushingless Contains OE# Piston Assembly 23530660 OE Rod Bearing Number(s) 23526141 OE Main Bearing Number(s) 8929670, 8929680	Kit Number	468-1116	468-5116		
		Cylinder Sleeve Assembly	226-2043	6	226-2043	6
		Connecting Rod Bearing	CB-1902P	6	CB-1902P	6
		Undersizes	P-25MM-50MM		P-25MM-50MM	
		Main Bearing Set	MS-2093P	1	MS-2093P	1
		Undersizes	P-10-20		P-10-20	
		Thrust Washer Set	TW-600S	1	TW-600S	1
		Camshaft Bearing	SH-1986	7	SH-1986	7
		Engine Valve Cover Gasket Set	VS50278	1	VS50278	1
		<i>Optional</i>	VS50404	1	VS50404	1
		Engine Full Gasket Set / Engine Cylinder Head Gasket Set	FS54157-A	1	HS54157	1
		Engine Oil Pan Gasket Set	OS32382	1	OS32204	1
		<i>Optional</i>	OS32204	1	OS32382	1
		Engine Cylinder Head Bolt Set	GS33539	1	GS33539	1
		Rear Main Seal / Fuel Injector Seal Kit	67744	1	GS33633	6
Engine Timing Cover Seal	67745	1				

LINE #	NOTES	PART DESCRIPTION	OVERHAUL	QTY	IN-FRAME	QTY
14 (cont.)	5.2400" 855 CID (14.0L) 6 Cyl / 24 Valves; Turbocharged SOHC 60 Series					14 (cont.)
14.14	Premium Kit 16.0:1 CR Oval Piston Design Bushingless Contains OE# Piston Assembly 23530662 OE Rod Bearing Number(s) 23526141 OE Main Bearing Number(s) 8929670, 8929680	Kit Number	468-1117		468-5117	
		Cylinder Sleeve Assembly	226-2044	6	226-2044	6
		Connecting Rod Bearing	CB-1902P	6	CB-1902P	6
		Undersizes	P-25MM-50MM		P-25MM-50MM	
		Main Bearing Set	MS-2093P	1	MS-2093P	1
		Undersizes	P-10-20		P-10-20	
		Thrust Washer Set	TW-600S	1	TW-600S	1
		Camshaft Bearing	SH-1986	7	SH-1986	7
		Engine Valve Cover Gasket Set	VS50278	1	VS50278	1
		<i>Optional</i>	VS50404	1	VS50404	1
		Engine Full Gasket Set / Engine Cylinder Head Gasket Set	FS54157-A	1	HS54157	1
		Engine Oil Pan Gasket Set	OS32204	1	OS32204	1
		<i>Optional</i>	OS32382	1	OS32382	1
		Engine Cylinder Head Bolt Set	GS33539	1	GS33539	1
		Engine Timing Cover Seal / Fuel Injector Seal Kit	67745	1	GS33633	6
		Rear Main Seal	67744	1		
14.15	Premium Kit 16.0:1 CR Cut Back Design Contains OE# Piston Assembly 23530664 OE Rod Bearing Number(s) 23526141 OE Main Bearing Number(s) 8929670, 8929680	Kit Number	468-1118		468-5118	
		Cylinder Sleeve Assembly	226-2045	6	226-2045	6
		Connecting Rod Bearing	CB-1902P	6	CB-1902P	6
		Undersizes	P-25MM-50MM		P-25MM-50MM	
		Main Bearing Set	MS-2093P	1	MS-2093P	1
		Undersizes	P-10-20		P-10-20	
		Thrust Washer Set	TW-600S	1	TW-600S	1
		Camshaft Bearing	SH-1986	7	SH-1986	7
		Engine Valve Cover Gasket Set	VS50278	1	VS50278	1
		<i>Optional</i>	VS50404	1	VS50404	1
		Engine Full Gasket Set / Engine Cylinder Head Gasket Set	FS54157-A	1	HS54157	1
		Engine Oil Pan Gasket Set	OS32204	1	OS32204	1
		<i>Optional</i>	OS32382	1	OS32382	1
		Engine Cylinder Head Bolt Set	GS33539	1	GS33539	1
		Engine Timing Cover Seal / Fuel Injector Seal Kit	67745	1	GS33633	6
		Rear Main Seal	67744	1		

LINE #	NOTES	PART DESCRIPTION	OVERHAUL	QTY	IN-FRAME	QTY
14 (cont.)	5.2400" 855 CID (14.0L) 6 Cyl / 24 Valves; Turbocharged SOHC 60 Series					14 (cont.)
14.16	Premium Kit 15.1:1 CR Marine 3MM Top Ring Contains OE# Piston Assembly 23533453 OE Rod Bearing Number(s) 23526141 OE Main Bearing Number(s) 8929670, 8929680	Kit Number	468-1119		468-5119	
		Cylinder Sleeve Assembly	226-2046	6	226-2046	6
		Connecting Rod Bearing	CB-1902P	6	CB-1902P	6
		Undersizes	P-25MM-50MM		P-25MM-50MM	
		Main Bearing Set	MS-2093P	1	MS-2093P	1
		Undersizes	P-10-20		P-10-20	
		Thrust Washer Set	TW-600S	1	TW-600S	1
		Camshaft Bearing	SH-1986	7	SH-1986	7
		Engine Valve Cover Gasket Set	VS50278	1	VS50278	1
		<i>Optional</i>	VS50404	1	VS50404	1
		Engine Full Gasket Set / Engine Cylinder Head Gasket Set	FS54157-A	1	HS54157	1
		Engine Oil Pan Gasket Set	OS32204	1	OS32204	1
		<i>Optional</i>	OS32382	1	OS32382	1
		Engine Cylinder Head Bolt Set	GS33539	1	GS33539	1
		Engine Timing Cover Seal / Fuel Injector Seal Kit	67745	1	GS33633	6
Rear Main Seal	67744	1				
14.17	Premium Kit 15.0:1 CR Bushingless With Machined Notches In Bearing Caps Contains OE# Piston Assembly 23530660 OE Rod Bearing Number(s) 23526141 OE Main Bearing Number(s) 23533252, 23533259	Kit Number	468-1120		468-5120	
		Cylinder Sleeve Assembly	226-2043	6	226-2043	6
		Connecting Rod Bearing	CB-1902P	6	CB-1902P	6
		Undersizes	P-25MM-50MM		P-25MM-50MM	
		Main Bearing Set	MS-2310P	1	MS-2310P	1
		Undersizes	P-10-20		P-10-20	
		Thrust Washer Set	TW-696S	1	TW-696S	1
		Camshaft Bearing	SH-1986	7	SH-1986	7
		Engine Valve Cover Gasket Set	VS50278	1	VS50278	1
		<i>Optional</i>	VS50404	1	VS50404	1
		Engine Full Gasket Set / Engine Cylinder Head Gasket Set	FS54157-A	1	HS54157	1
		Engine Oil Pan Gasket Set	OS32204	1	OS32204	1
		<i>Optional</i>	OS32382	1	OS32382	1
		Engine Cylinder Head Bolt Set	GS33539	1	GS33539	1
		Engine Timing Cover Seal / Fuel Injector Seal Kit	67745	1	GS33633	6
Rear Main Seal	67744	1				

LINE #	NOTES	PART DESCRIPTION	OVERHAUL	QTY	IN-FRAME	QTY
14 (cont.)	5.2400" 855 CID (14.0L) 6 Cyl / 24 Valves; Turbocharged SOHC 60 Series					14 (cont.)
14.18	Premium Kit 16.0:1 CR Bushingless Oval Piston Design With Machined Notches In Bearing Caps Contains OE# Piston Assembly 23530662 OE Rod Bearing Number(s) 23526141 OE Main Bearing Number(s) 23533252, 23533259	Kit Number	468-1121		468-5121	
		Cylinder Sleeve Assembly	226-2044	6	226-2044	6
		Connecting Rod Bearing	CB-1902P	6	CB-1902P	6
		Undersizes	P-25MM-50MM		P-25MM-50MM	
		Main Bearing Set	MS-2310P	1	MS-2310P	1
		Undersizes	P-10-20		P-10-20	
		Thrust Washer Set	TW-696S	1	TW-696S	1
		Camshaft Bearing	SH-1986	7	SH-1986	7
		Engine Valve Cover Gasket Set	VS50278	1	VS50278	1
		<i>Optional</i>	VS50404	1	VS50404	1
		Engine Full Gasket Set / Engine Cylinder Head Gasket Set	FS54157-A	1	HS54157	1
		Engine Oil Pan Gasket Set	OS32204	1	OS32204	1
		<i>Optional</i>	OS32382	1	OS32382	1
		Engine Cylinder Head Bolt Set	GS33539	1	GS33539	1
		Engine Timing Cover Seal / Fuel Injector Seal Kit	67745	1	GS33633	6
Rear Main Seal	67744	1				
14.19	Premium Kit 16.0:1 CR Cut Back Design With Machined Notches In Bearing Caps Contains OE# Piston Assembly 23530664 OE Rod Bearing Number(s) 23526141 OE Main Bearing Number(s) 23533252, 23533259	Kit Number	468-1122		468-5122	
		Cylinder Sleeve Assembly	226-2045	6	226-2045	6
		Connecting Rod Bearing	CB-1902P	6	CB-1902P	6
		Undersizes	P-25MM-50MM		P-25MM-50MM	
		Main Bearing Set	MS-2310P	1	MS-2310P	1
		Undersizes	P-10-20		P-10-20	
		Thrust Washer Set	TW-696S	1	TW-696S	1
		Camshaft Bearing	SH-1986	7	SH-1986	7
		Engine Valve Cover Gasket Set	VS50278	1	VS50278	1
		<i>Optional</i>	VS50404	1	VS50404	1
		Engine Full Gasket Set / Engine Cylinder Head Gasket Set	FS54157-A	1	HS54157	1
		Engine Oil Pan Gasket Set	OS32204	1	OS32204	1
		<i>Optional</i>	OS32382	1	OS32382	1
		Engine Cylinder Head Bolt Set	GS33539	1	GS33539	1
		Engine Timing Cover Seal / Fuel Injector Seal Kit	67745	1	GS33633	6
Rear Main Seal	67744	1				

LINE #	NOTES	PART DESCRIPTION	OVERHAUL	QTY	IN-FRAME	QTY
14 (cont.)	5.2400" 855 CID (14.0L) 6 Cyl / 24 Valves; Turbocharged SOHC 60 Series					14 (cont.)
14.20	Premium Kit 15.1:1 CR Marine 3MM Top Ring With Machined Notches In Bearing Caps Contains OE# Piston Assembly 23533453 OE Rod Bearing Number(s) 23526141 OE Main Bearing Number(s) 23533252, 23533259	Kit Number	468-1123		468-5123	
		Cylinder Sleeve Assembly	226-2046	6	226-2046	6
		Connecting Rod Bearing	CB-1902P	6	CB-1902P	6
		Undersizes	P-25MM-50MM		P-25MM-50MM	
		Main Bearing Set	MS-2310P	1	MS-2310P	1
		Undersizes	P-10-20		P-10-20	
		Thrust Washer Set	TW-696S	1	TW-696S	1
		Camshaft Bearing	SH-1986	7	SH-1986	7
		Engine Valve Cover Gasket Set	VS50278	1	VS50278	1
		<i>Optional</i>	VS50404	1	VS50404	1
		Engine Full Gasket Set / Engine Cylinder Head Gasket Set	FS54157-A	1	HS54157	1
		Engine Oil Pan Gasket Set	OS32204	1	OS32204	1
		<i>Optional</i>	OS32382	1	OS32382	1
		Engine Cylinder Head Bolt Set	GS33539	1	GS33539	1
		Rear Main Seal / Fuel Injector Seal Kit	67744	1	GS33633	6
		Engine Timing Cover Seal	67745	1		
14.21	Premium Kit 15.0:1 CR Bushingless Without Machined Notches In Bearing Caps Contains OE# Piston Assembly 23530660 OE Rod Bearing Number(s) 23526141 OE Main Bearing Number(s) 23532926, 23533252, 23533259, 23533263	Kit Number	468-1124		468-5124	
		Cylinder Sleeve Assembly	226-2043	6	226-2043	6
		Connecting Rod Bearing	CB-1902P	6	CB-1902P	6
		Undersizes	P-25MM-50MM		P-25MM-50MM	
		Main Bearing Set	MS-2313P	1	MS-2313P	1
		Undersizes	P-10-20		P-10-20	
		Thrust Washer Set	TW-700S	1	TW-700S	1
		Camshaft Bearing	SH-1986	7	SH-1986	7
		Engine Valve Cover Gasket Set	VS50278	1	VS50278	1
		<i>Optional</i>	VS50404	1	VS50404	1
		Engine Full Gasket Set / Engine Cylinder Head Gasket Set	FS54157-A	1	HS54157	1
		Engine Oil Pan Gasket Set	OS32204	1	OS32204	1
		<i>Optional</i>	OS32382	1	OS32382	1
		Engine Cylinder Head Bolt Set	GS33539	1	GS33539	1
		Engine Timing Cover Seal / Fuel Injector Seal Kit	67745	1	GS33633	6
		Rear Main Seal	67744	1		

LINE #	NOTES	PART DESCRIPTION	OVERHAUL	QTY	IN-FRAME	QTY
14 (cont.)	5.2400" 855 CID (14.0L) 6 Cyl / 24 Valves; Turbocharged SOHC 60 Series					14 (cont.)
14.22	Premium Kit 16.0:1 CR Bushingleess Oval Piston Design Without Machined Notches In Bearing Caps Contains OE# Piston Assembly 23530662 OE Rod Bearing Number(s) 23526141 OE Main Bearing Number(s) 23532926, 23533252, 23533259, 23533263	Kit Number	468-1125		468-5125	
		Cylinder Sleeve Assembly	226-2044	6	226-2044	6
		Connecting Rod Bearing	CB-1902P	6	CB-1902P	6
		Undersizes	P-25MM-50MM		P-25MM-50MM	
		Main Bearing Set	MS-2313P	1	MS-2313P	1
		Undersizes	P-10-20		P-10-20	
		Thrust Washer Set	TW-700S	1	TW-700S	1
		Camshaft Bearing	SH-1986	7	SH-1986	7
		Engine Valve Cover Gasket Set	VS50278	1	VS50278	1
		<i>Optional</i>	VS50404	1	VS50404	1
		Engine Full Gasket Set / Engine Cylinder Head Gasket Set	FS54157-A	1	HS54157	1
		Engine Oil Pan Gasket Set	OS32204	1	OS32204	1
		<i>Optional</i>	OS32382	1	OS32382	1
		Engine Cylinder Head Bolt Set	GS33539	1	GS33539	1
		Engine Timing Cover Seal / Fuel Injector Seal Kit	67745	1	GS33633	6
		Rear Main Seal	67744	1		
14.23	Premium Kit 16.0:1 CR Cut Back Design Without Machined Notches In Bearing Caps Contains OE# Piston Assembly 23530664 OE Rod Bearing Number(s) 23526141 OE Main Bearing Number(s) 23532926, 23533252, 23533259, 23533263	Kit Number	468-1126		468-5126	
		Cylinder Sleeve Assembly	226-2045	6	226-2045	6
		Connecting Rod Bearing	CB-1902P	6	CB-1902P	6
		Undersizes	P-25MM-50MM		P-25MM-50MM	
		Main Bearing Set	MS-2313P	1	MS-2313P	1
		Undersizes	P-10-20		P-10-20	
		Thrust Washer Set	TW-700S	1	TW-700S	1
		Camshaft Bearing	SH-1986	7	SH-1986	7
		Engine Valve Cover Gasket Set	VS50278	1	VS50278	1
		<i>Optional</i>	VS50404	1	VS50404	1
		Engine Full Gasket Set / Engine Cylinder Head Gasket Set	FS54157-A	1	HS54157	1
		Engine Oil Pan Gasket Set	OS32204	1	OS32204	1
		<i>Optional</i>	OS32382	1	OS32382	1
		Engine Cylinder Head Bolt Set	GS33539	1	GS33539	1
		Engine Timing Cover Seal / Fuel Injector Seal Kit	67745	1	GS33633	6
		Rear Main Seal	67744	1		

LINE #	NOTES	PART DESCRIPTION	OVERHAUL	QTY	IN-FRAME	QTY
14 (cont.)	5.2400" 855 CID (14.0L) 6 Cyl / 24 Valves; Turbocharged SOHC 60 Series					14 (cont.)
14.24	Premium Kit 15.1:1 CR Marine 3MM Top Ring Without Machined Notches In Bearing Caps Contains OE# Piston Assembly 23533453 OE Rod Bearing Number(s) 23526141 OE Main Bearing Number(s) 23532926, 23533252, 23533259, 23533263	Kit Number	468-1127		468-5127	
		Cylinder Sleeve Assembly	226-2046	6	226-2046	6
		Connecting Rod Bearing	CB-1902P	6	CB-1902P	6
		Undersizes	P-25MM-50MM		P-25MM-50MM	
		Main Bearing Set	MS-2313P	1	MS-2313P	1
		Undersizes	P-10-20		P-10-20	
		Thrust Washer Set	TW-700S	1	TW-700S	1
		Camshaft Bearing	SH-1986	7	SH-1986	7
		Engine Valve Cover Gasket Set	VS50278	1	VS50278	1
		<i>Optional</i>	VS50404	1	VS50404	1
		Engine Full Gasket Set / Engine Cylinder Head Gasket Set	FS54157-A	1	HS54157	1
		Engine Oil Pan Gasket Set	OS32204	1	OS32204	1
		<i>Optional</i>	OS32382	1	OS32382	1
		Engine Cylinder Head Bolt Set	GS33539	1	GS33539	1
		Engine Timing Cover Seal / Fuel Injector Seal Kit	67745	1	GS33633	6
		Rear Main Seal	67744	1		

Model	Series	No. Cyls.	CID	Liter	Bore / Stroke	Line No.
2-53		2	106	1.7	3.9 / 4.5	1
2-71		2	142	2.3	4.2 / 5	6
3-53		3	159	2.6	3.9 / 4.5	2
4-53		4	212	3.5	3.9 / 4.5	3
3-71		3	213	3.5	4.2 / 5	7
4-71		4	284	4.7	4.2 / 5	8
6V-53		6	318	5.2	3.9 / 4.5	4
8V-53		8	424	6.9	3.9 / 4.5	5
6-71		6	426	7	4.2 / 5	9
6V-71		6	426	7	4.2 / 5	10
40 Series	40	6	466	7.6	4.3 / 5.4	15
8.2L		8	500	8.2	4.2 / 4.4	12
50 Series		4	519	8.5	5.1 / 5.5	21
40 Series	40	6	530	8.7	4.6 / 5.4	16
6V-92		6	552	9	4.8 / 5	17
8V-71		8	568	9.3	4.2 / 5	11
60 Series	60	6	677	11.1	5.1 / 5.5	22
8V-92		8	736	12.1	4.8 / 5	18
60 Series	60	6	778	12.7	5.1 / 6.3	23
12V-71		12	852	14	4.2 / 5	13
60 Series	60	6	855	14	5.2 / 6.6	24
12V-92		12	1104	18.1	4.8 / 5	19
16V-71		16	1136	18.6	4.2 / 5	14
16V-92		16	1472	24.1	4.8 / 5	20
12V-149		12	1788	29.3	5.8 / 5.8	25
16V-149		16	2384	39.1	5.8 / 5.8	26

PART	NOTES	OE INTERCHANGE NUMBER	PART NUMBER	PER ENGINE QTY
1	3.8750" 106 CID (1.7L) 2 Cyl Engine Code: '2-53'			1

Cylinder Components

Cylinder Sleeve Assembly	Naturally Aspirated Engines, Early Design, Contains High Brinell Sleeve, Contains Piston With .421" Shallow Bowl	see at page 361	226-1478	2
Cylinder Sleeve	.840" Port Height	5132803	226-4415	2
Piston	21:1 CR, Naturally Aspirated Engines, Late Design, Cast Iron, 3.172" Compression Distance	5198877	224-2486	2
Ring Set	Naturally Aspirated Engines, Sleeved Engine, XE85 Oil Rings	5198822 5198902	S40232	2
	Naturally Aspirated Engines, Sleeved Engine, XE60 Oil Rings	5149942	S41154	2
Sleeve O-Ring Kit		5121256	223-7140	2

Engine Gaskets

Engine Timing Cover Gasket Set	Includes Oversize Seal And Sleeve	23516636	SS48005	1
Rear Main Seal	Excludes Oversize Seal	5116229	47905	1

Bearings

Connecting Rod Bearing		5149452	CB-1265P	2
		5149454	CB-1265P-10	
		5149455	CB-1265P-20	
Main Bearings	Only Sold Separately	8924357	MB-1897P	3
		8924359	MB-1897P-10	
Thrust Washer Set	Contains 4 Pieces	5116197	TW-412S•	1
Thrust Washer (Individual)		5116197	MB-2522W	4
Camshaft Bearing Set	Contains Camshaft And Balance Shaft Bearings	5198431	SH-698S	1

Valve Train & Ancillary

Valve (Exhaust)	Naturally Aspirated Engines, 1.09" Head Diameter, 5.55" Length	5195948	211-1863	4
	Turbocharged Engines, Premium, For 4-Valve Cylinder Head, 1.09" Head Diameter, 5.55" Length	5109925	211-2536	8
Valve Guide	2.500" Length, 2 Exhaust Valves Per Cylinder	5119992	217-3832	4
Valve Guide (Exhaust)	Turbocharged Engines, For 4-Valve Cylinder Head	5131961	217-4007	8
Valve Seat Insert	1.156" Counter Bore	8921502	218-7817	8
Valve Keeper	2 Exhaust Valves Per Cylinder, Valves with Rotocap Assembly, Engines with Rotocap Assembly, Except Roto Valve, Late Design, 1 Lock Groove Valve, Iron, .500" OD, 2.500" Length	5111337	216-5234	4

2	3.8750" 159 CID (2.6L) 3 Cyl Engine Code: '3-53'			2
----------	--	--	--	----------

Cylinder Components

Cylinder Sleeve Assembly	21:1 CR, Naturally Aspirated Engines, Late Design, Contains High Brinell Sleeve, Contains Trunk Style Piston, Contains Piston With .468" Deep Bowl	see at page 361	226-1477	3
	Naturally Aspirated Engines, Early Design, Contains High Brinell Sleeve, Contains Piston With .421" Shallow Bowl	see at page 361	226-1478	3
Cylinder Sleeve	.840" Port Height	5132803	226-4415	3
Piston	21:1 CR, Naturally Aspirated Engines, Late Design, Cast Iron, 3.172" Compression Distance	5198877	224-2486	3
Ring Set	Naturally Aspirated Engines, Sleeved Engine, XE85 Oil Rings	5198822 5198902	S40232	3

PART	NOTES	OE INTERCHANGE NUMBER	PART NUMBER	PER ENGINE QTY
2 (cont.)	3.8750" 159 CID (2.6L) 3 Cyl Engine Code: '3-53'			2 (cont.)

Cylinder Components (cont.)

Ring Set (cont.)	Naturally Aspirated Engines, Sleeved Engine, XE60 Oil Rings	5149942	S41154	3
Sleeve O-Ring Kit		5121256	223-7140	3

Engine Gaskets

Engine Full Gasket Set	OEM Equivalent, Does Not Include Front And Rear Crankshaft Seals	23512688	FS12232A	1
Engine Cylinder Head Gasket Set	Single Cylinder Head Set	5199811	HS12232X	1
Engine Valve Cover Gasket Set		5119457 5147994	VS38767	1
Engine Timing Cover Gasket Set	Includes Oversize Seal And Sleeve	23516636	SS48005	1
Engine Timing Cover Seal	Seal Only	5116224	46289	1
Rear Main Seal	Excludes Oversize Seal	5116229	47905	1

Bearings

Connecting Rod Bearing		5149452	CB-1265P	3
		5149454	CB-1265P-10	
		5149455	CB-1265P-20	
Main Bearings	Only Sold Separately	8924357	MB-1897P	4
		8924359	MB-1897P-10	
Thrust Washer Set	Contains 4 Pieces	5116197	TW-412S•	1
Thrust Washer (Individual)		5116197	MB-2522W	4
Camshaft Bearing Set	Contains Camshaft And Balance Shaft Bearings	5198209	SH-699S	1
Piston Pin Bushing	Use With Trunk Style Piston, 2 Per Rod, Requires Boring, 1.500" Pin Diameter	5106990	223-3634	6

Valve Train & Ancillary

Valve (Exhaust)	Naturally Aspirated Engines, 1.09" Head Diameter, 5.55" Length	5195948	211-1863	6
	Turbocharged Engines, Premium, For 4-Valve Cylinder Head, 1.09" Head Diameter, 5.55" Length	5109925	211-2536	12
Valve Guide	2.500" Length, 2 Exhaust Valves Per Cylinder	5119992	217-3832	1
	Turbocharged Engines, For 4-Valve Cylinder Head	5131961	217-4007	12
Valve Spring		5144019	212-1110	12
Valve Seat Insert	1.156" Counter Bore	8921502	218-7817	12
Valve Keeper	2 Exhaust Valves Per Cylinder, Valves with Rotocap Assembly, Engines with Rotocap Assembly, Except Roto Valve, Late Design, 1 Lock Groove Valve, Iron, .500" OD, 2.500" Length	5111337	216-5234	6

3	3.8750" 212 CID (3.5L) 4 Cyl Engine Code: '4-53'			3
----------	--	--	--	----------

Cylinder Components

Cylinder Sleeve Assembly	21:1 CR, Naturally Aspirated Engines, Late Design, Contains High Brinell Sleeve, Contains Trunk Style Piston, Contains Piston With .468" Deep Bowl	see at page 361	226-1477	4
	Naturally Aspirated Engines, Early Design, Contains High Brinell Sleeve, Contains Piston With .421" Shallow Bowl	see at page 361	226-1478	4
Cylinder Sleeve	.840" Port Height	5132803	226-4415	4

PART	NOTES	OE INTERCHANGE NUMBER	PART NUMBER	PER ENGINE QTY
3 (cont.)	3.8750" 212 CID (3.5L) 4 Cyl Engine Code: '4-53'			3 (cont.)
Cylinder Components (cont.)				
Piston	21:1 CR, Naturally Aspirated Engines, Late Design, Cast Iron, 3.172" Compression Distance	5198877	224-2486	4
Ring Set	Naturally Aspirated Engines, Sleeved Engine, XE85 Oil Rings	5198822 5198902	S40232	4
	Naturally Aspirated Engines, Sleeved Engine, XE60 Oil Rings	5149942	S41154	4
	Turbocharged Engines, Sleeved Engine, Use With Trunk Style Piston, 1-1/2" Pin Diameter	5149359	S41449	4
Sleeve O-Ring Kit		5121256	223-7140	4
Engine Gaskets				
Engine Full Gasket Set	Does Not Include Front And Rear Crankshaft Seals	23517624	FS12232B	1
Engine Cylinder Head Gasket Set	Single Cylinder Head Set	5199812	HS12232	1
Engine Valve Cover Gasket Set		5147506	VS39855	1
Engine Oil Pan Gasket Set		5116257	OS31584	1
Engine Timing Cover Gasket Set	Includes Oversize Seal And Sleeve	23516636	SS48005	1
Engine Timing Cover Seal	Seal Only	5116224	46289	1
Rear Main Seal	Excludes Oversize Seal	5116229	47905	1
Bearings				
Connecting Rod Bearing		5149452	CB-1265P	4
		5149454	CB-1265P-10	
		5149455	CB-1265P-20	
Main Bearing Set	Naturally Aspirated And Supercharged Engines, Contains 4 Piece Thrust Washer Set, Contains OE# 8924357(5) And 5116197(4)	See Note	MS-502P	1
		See Note	MS-502P-10	
Main Bearings	Only Sold Separately	8924357	MB-1897P	5
		8924359	MB-1897P-10	
Thrust Washer Set	Contains 4 Pieces	5116197	TW-412S•	1
Thrust Washer (Individual)		5116197	MB-2522W	4
Camshaft Bearing Set	Contains Camshaft And Balance Shaft Bearings	5198984	SH-700S	1
Piston Pin Bushing	Use With Trunk Style Piston, 2 Per Rod, Requires Boring, 1.500" Pin Diameter	5106990	223-3634	8
Valve Train & Ancillary				
Valve (Exhaust)	Naturally Aspirated Engines, 1.09" Head Diameter, 5.55" Length	5195948	211-1863	8
	Turbocharged Engines, Premium, For 4-Valve Cylinder Head, 1.09" Head Diameter, 5.55" Length	5109925	211-2536	16
Valve Guide	2.500" Length, 2 Exhaust Valves Per Cylinder	5119992	217-3832	1
	Turbocharged Engines, For 4-Valve Cylinder Head	5131961	217-4007	16
Valve Spring		5144019	212-1110	16
Valve Seat Insert	1.156" Counter Bore	8921502	218-7817	16
Valve Keeper	2 Exhaust Valves Per Cylinder, Valves with Rotocap Assembly, Engines with Rotocap Assembly, Except Roto Valve, Late Design, 1 Lock Groove Valve, Iron, .500" OD, 2.500" Length	5111337	216-5234	8

PART	NOTES	OE INTERCHANGE NUMBER	PART NUMBER	PER ENGINE QTY
4	3.8750" 318 CID (5.2L) 6 Cyl Engine Code: '6V-53'			4

Cylinder Components

Cylinder Sleeve Assembly	21:1 CR, Naturally Aspirated Engines, Late Design, Contains High Brinell Sleeve, Contains Trunk Style Piston, Contains Piston With .468" Deep Bowl	see at page 361	226-1477	6
	Naturally Aspirated Engines, Early Design, Contains High Brinell Sleeve, Contains Piston With .421" Shallow Bowl	see at page 361	226-1478	6
Cylinder Sleeve	.840" Port Height	5132803	226-4415	6
Piston	21:1 CR, Naturally Aspirated Engines, Late Design, Cast Iron, 3.172" Compression Distance	5198877	224-2486	6
Ring Set	Naturally Aspirated Engines, Sleeved Engine, XE85 Oil Rings	5198822 5198902	S40232	6
	Naturally Aspirated Engines, Sleeved Engine, XE60 Oil Rings	5149942	S41154	6
	Turbocharged Engines, Sleeved Engine, Use With Trunk Style Piston, 1-1/2" Pin Diameter	5149359	S41449	6
Sleeve O-Ring Kit		5121256	223-7140	6

Engine Gaskets

Engine Full Gasket Set	OEM Equivalent, Does Not Include Front And Rear Crankshaft Seals	23512690	FS12232C	1
Engine Cylinder Head Gasket Set	Single Cylinder Head Set	5199811	HS12232X	2
Engine Valve Cover Gasket Set		5119457 5147994	VS38767	2
Engine Timing Cover Gasket Set	Includes Oversize Seal And Sleeve	23516636	SS48005	1
Engine Timing Cover Seal	Seal Only	5116224	46289	1
Rear Main Seal	Excludes Oversize Seal	5116229	47905	1

Bearings

Connecting Rod Bearing		5197975	CB-674P	6
		5197977	CB-674P-10	
Main Bearing Set	Contains OE# 5195927(4) And 5159353(4)	See Note	MS-506P	1
		See Note	MS-506P-10	
		See Note	MS-506P-20	
	Contains OE# 5198410(4) And 5159353(4)	See Note	MS-885P	1
		See Note	MS-885P-10	
		See Note	MS-885P-20	
Main Bearings		5195927	MB-1931P	4
		5196685	MB-1931P-10	
		5196686	MB-1931P-20	
		5198410	MB-2474P	4
		5198412	MB-2474P-10	
		5198413	MB-2474P-20	
Thrust Washer Set		5159353	TW-411S	1
Thrust Washer (Individual)		5159353	MB-2524W	4
Camshaft Bearing Set	Contains Camshaft And Balance Shaft Bearings	5197944	SH-701S	1
Piston Pin Bushing	Use With Trunk Style Piston, 2 Per Rod, Requires Boring, 1.500" Pin Diameter	5106990	223-3634	12

PART	NOTES	OE INTERCHANGE NUMBER	PART NUMBER	PER ENGINE QTY
4 (cont.)	3.8750" 318 CID (5.2L) 6 Cyl Engine Code: '6V-53'			4 (cont.)

Valve Train & Ancillary

Valve (Exhaust)	Naturally Aspirated Engines, 1.09" Head Diameter, 5.55" Length	5195948	211-1863	12
	Turbocharged Engines, Premium, For 4-Valve Cylinder Head, 1.09" Head Diameter, 5.55" Length	5109925	211-2536	24
Valve Guide	2.500" Length, 2 Exhaust Valves Per Cylinder	5119992	217-3832	1
	Turbocharged Engines, For 4-Valve Cylinder Head	5131961	217-4007	12
Valve Spring		5144019	212-1110	24
Valve Seat Insert	1.156" Counter Bore	8921502	218-7817	24
Valve Keeper	2 Exhaust Valves Per Cylinder, Valves with Rotocap Assembly, Engines with Rotocap Assembly, Except Roto Valve, Late Design, 1 Lock Groove Valve, Iron, .500" OD, 2.500" Length	5111337	216-5234	12

Crankshaft

Crankshaft	.010" Undersize	23504732(.010)	247-5124	1
	.010" Undersize, Remanufactured	Exclusive	247-5125	1

5	3.8750" 424 CID (6.9L) 8 Cyl Engine Code: '8V-53'			5
----------	---	--	--	----------

Cylinder Components

Cylinder Sleeve Assembly	21:1 CR, Naturally Aspirated Engines, Late Design, Contains High Brinell Sleeve, Contains Trunk Style Piston, Contains Piston With .468" Deep Bowl	see at page 361	226-1477	8
	Naturally Aspirated Engines, Early Design, Contains High Brinell Sleeve, Contains Piston With .421" Shallow Bowl	see at page 361	226-1478	8
Cylinder Sleeve	.840" Port Height	5132803	226-4415	8
Piston	21:1 CR, Naturally Aspirated Engines, Late Design, Cast Iron, 3.172" Compression Distance	5198877	224-2486	8
Ring Set	Naturally Aspirated Engines, Sleeved Engine, XE85 Oil Rings	5198822 5198902	S40232	8
	Naturally Aspirated Engines, Sleeved Engine, XE60 Oil Rings	5149942	S41154	8
	Turbocharged Engines, Sleeved Engine, Use With Trunk Style Piston, 1-1/2" Pin Diameter	5149359	S41449	8
Sleeve O-Ring Kit		5121256	223-7140	8

Engine Gaskets

Engine Cylinder Head Gasket Set	Single Cylinder Head Set	5199812	HS12232	2
Engine Valve Cover Gasket Set		5147506	VS39855	2
Engine Timing Cover Gasket Set	Includes Oversize Seal And Sleeve	23516636	SS48005	1
Engine Timing Cover Seal	Seal Only	5116224	46289	1
Rear Main Seal	Excludes Oversize Seal	5116229	47905	1

Bearings

Connecting Rod Bearing		5197975	CB-674P	8
		5197977	CB-674P-10	
Main Bearings		5195927	MB-1931P	5
		5196685	MB-1931P-10	
		5196686	MB-1931P-20	

PART	NOTES	OE INTERCHANGE NUMBER	PART NUMBER	PER ENGINE QTY
5 (cont.)	3.8750" 424 CID (6.9L) 8 Cyl Engine Code: '8V-53'			5 (cont.)

Bearings (cont.)

Main Bearings (cont.)		5198410	MB-2474P	5
		5198412	MB-2474P-10	
		5198413	MB-2474P-20	
Thrust Washer Set		5159353	TW-411S	1
Thrust Washer (Individual)		5159353	MB-2524W	4
Piston Pin Bushing	Use With Trunk Style Piston, 2 Per Rod, Requires Boring, 1.500" Pin Diameter	5106990	223-3634	16

Valve Train & Ancillary

Valve (Exhaust)	Naturally Aspirated Engines, 1.09" Head Diameter, 5.55" Length	5195948	211-1863	16
	Turbocharged Engines, Premium, For 4-Valve Cylinder Head, 1.09" Head Diameter, 5.55" Length	5109925	211-2536	32
Valve Guide	Turbocharged Engines, For 4-Valve Cylinder Head	5131961	217-4007	16
Valve Spring		5144019	212-1110	32
Valve Seat Insert	1.156" Counter Bore	8921502	218-7817	32

6	4.2500" 142 CID (2.3L) 2 Cyl Engine Code: '2-71'			6
----------	--	--	--	----------

Cylinder Components

Cylinder Sleeve Assembly	Except N65 Injectors, Contains High Brinell Sleeve, Sleeve Has .810" Port Height, Requires New Cylinder Sleeve Insert Rings, Contains Trunk Style Piston	see at page 362	226-1220	2	
		See Note	226-1220.010		
		See Note	226-1220.020		
Cylinder Sleeve	Naturally Aspirated Engines, Contains High Brinell Sleeve, Sleeve Has 1.05" Port Height, N65 Injectors Special Order Engines, Contains Trunk Style Piston, Requires New Cylinder Sleeve Insert Rings, Replace In Complete Sets, Sleeve Hardened To 40-45 Rockwell "C", Flange Annealed To 20-35 Rockwell "C"	see at page 361	226-1633	2	
		5149263	226-1633.010		
Cylinder Sleeve	1.05" Port Height, High Brinell Sleeve	see at page 361	226-1946	2	
		23522951	226-1946.010		
		23502020	226-4466		
Piston	18.7:1 CR, Naturally Aspirated Engines, Crosshead Style Piston, 4-Valve Cylinder Head	23504936	226-4466.001	2	
		5193733	226-4466.010		
		23522497	224-2260		
Piston	17.0:1 CR, Naturally Aspirated Engines, Trunk Style Piston, 2-Valve Cylinder Head, Except N65 Injectors	5189054	224-2469	2	
		18.7:1 CR, Trunk Style Piston, 2-Valve Cylinder Head, N65 Injectors Special Order Engines, Recessed Head	5149234	224-2485	2
Ring Set	Use With Trunk Style Piston, 4 Valve, N65 Injectors, Chrome Steel Compression Ring	23514970	S40653	2	
		Sleeved Engine, Use With Crosshead Piston, Keystone Top Compression Ring, Chrome Steel Compression Ring	23522955	S41900	2
		Except N65 Injectors, Chrome Steel Top Ring, Chrome Second Ring	5193477	SC80061	2

Engine Gaskets

Engine Cylinder Head Gasket Set	Contains OE# Head Gasket 5174900, Valve Cover Gasket 5152446, Exhaust Manifold Gasket 5154210	Exclusive	HS3130	1
Rear Main Seal	Seal Only	5114335	46843	1



PART	NOTES	OE INTERCHANGE NUMBER	PART NUMBER	PER ENGINE QTY
6 (cont.)	4.2500" 142 CID (2.3L) 2 Cyl Engine Code: '2-71'			6 (cont.)
Engine Gaskets (cont.)				
Rear Main Seal (cont.)	Includes Oversize Seal And Sleeve	5197860	SS47870	1
Bearings				
Connecting Rod Bearing		23511129	CB-1596P	2
		23511133	CB-1596P-10	
		23511135	CB-1596P-20	
Main Bearings	Only Sold Separately	5192874	MB-1276P	3
		5192876	MB-1276P-10	
		5192877	MB-1276P-20	
Thrust Washer Set		5159353	TW-411S	1
Thrust Washer (Individual)		5159353	MB-2524W	4
Piston Pin Bushing	Use With Trunk Style Piston, 2 Per Rod, Requires Boring	5157274	223-3462	4
Valve Train & Ancillary				
Valve Keeper	Performer Hardened Steel	23507238	216-5118	8
Crankshaft				
Crankshaft	.010" Undersize, Remanufactured	5144188	247-5190	1

7	4.2500" 213 CID (3.5L) 3 Cyl Engine Code: '3-71'			7
Cylinder Components				
Cylinder Sleeve Assembly	Except N65 Injectors, Contains High Brinell Sleeve, Sleeve Has .810" Port Height, Requires New Cylinder Sleeve Insert Rings, Contains Trunk Style Piston	see at page 362	226-1220	3
		See Note	226-1220.010	
		See Note	226-1220.020	
Cylinder Sleeve	Naturally Aspirated Engines, Contains High Brinell Sleeve, Sleeve Has 1.05" Port Height, N65 Injectors Special Order Engines, Contains Trunk Style Piston, Requires New Cylinder Sleeve Insert Rings, Replace In Complete Sets, Sleeve Hardened To 40-45 Rockwell "C", Flange Annealed To 20-35 Rockwell "C"	see at page 361	226-1633	3
		5149263	226-1633.010	
Cylinder Sleeve	Naturally Aspirated Engines, Contains High Brinell Sleeve, Sleeve Has 1.05" Port Height, Contains Crosshead Piston, With The Sealing Ring In The Crown, Hardened	see at page 361	226-1946	3
		23522951	226-1946.010	
Cylinder Sleeve	1.05" Port Height, High Brinell Sleeve	23502020	226-4466	3
		23504936	226-4466.001	
		5193733	226-4466.010	
Piston	18.7:1 CR, Naturally Aspirated Engines, Crosshead Style Piston, 4-Valve Cylinder Head	23522497	224-2260	3
	17.0:1 CR, Naturally Aspirated Engines, Trunk Style Piston, 2-Valve Cylinder Head, Except N65 Injectors	5189054	224-2469	3
	18.7:1 CR, Trunk Style Piston, 2-Valve Cylinder Head, N65 Injectors Special Order Engines, Recessed Head	5149234	224-2485	3
Ring Set	Use With Trunk Style Piston, 4 Valve, N65 Injectors, Chrome Steel Compression Ring	23514970	S40653	3
	Sleeved Engine, Use With Crosshead Piston, Keystone Top Compression Ring, Chrome Steel Compression Ring	23522955	S41900	3
	Except N65 Injectors, Chrome Steel Top Ring, Chrome Second Ring	5193477	SC80061	3

PART	NOTES	OE INTERCHANGE NUMBER	PART NUMBER	PER ENGINE QTY
7 (cont.)	4.2500" 213 CID (3.5L) 3 Cyl Engine Code: '3-71'			7 (cont.)

Engine Gaskets

Engine Cylinder Head Gasket Set	OEM Rubber Valve Cover Gasket Included	5196380	HS12197A	1
Engine Valve Cover Gasket Set	2 Sets Required For Engine With Jacobs Engine Brake For Steel Valve Cover	5143405	VS39858	1
	2 Sets Required For Engine With Jacobs Engine Brake For Aluminum Valve Cover	5104018	VS39862	1
Engine Timing Cover Seal	Seal Only	23514608 5115454	47095	1
Rear Main Seal	Seal Only	5114335	46843	1
	Includes Oversize Seal And Sleeve	5197860	SS47870	1

Bearings

Connecting Rod Bearing		23511129	CB-1596P	3
		23511133	CB-1596P-10	
		23511135	CB-1596P-20	
Main Bearings	Only Sold Separately	5192874	MB-1276P	4
		5192876	MB-1276P-10	
		5192877	MB-1276P-20	
Thrust Washer Set		5159353	TW-411S	1
Thrust Washer (Individual)		5159353	MB-2524W	4
Camshaft Bearing	Contains Steel Bushing In Center Hole	5196022	SH-468	2
	Steel Bushing In Center Hole Not Included	5196026	SH-525	2
Camshaft Thrust Washer	2 Per Package	5111424	SH-477W	2
Piston Pin Bushing	Use With Trunk Style Piston, 2 Per Rod, Requires Boring	5157274	223-3462	6

Valve Train & Ancillary

Valve Keeper	Performer Hardened Steel	23507238	216-5118	12
---------------------	--------------------------	----------	-----------------	----

8	4.2500" 284 CID (4.7L) 4 Cyl Engine Code: '4-71'			8
----------	--	--	--	----------

Cylinder Components

Cylinder Sleeve Assembly	Except N65 Injectors, Contains High Brinell Sleeve, Sleeve Has .810" Port Height, Requires New Cylinder Sleeve Insert Rings, Contains Trunk Style Piston	see at page 362	226-1220	4
		See Note	226-1220.010	
		See Note	226-1220.020	
Cylinder Sleeve	Naturally Aspirated Engines, Contains High Brinell Sleeve, Sleeve Has 1.05" Port Height, N65 Injectors Special Order Engines, Contains Trunk Style Piston, Requires New Cylinder Sleeve Insert Rings, Replace In Complete Sets, Sleeve Hardened To 40-45 Rockwell "C", Flange Annealed To 20-35 Rockwell "C"	see at page 361	226-1633	4
		5149263	226-1633.010	
Cylinder Sleeve	Naturally Aspirated Engines, Contains High Brinell Sleeve, Sleeve Has 1.05" Port Height, Contains Crosshead Piston, With The Sealing Ring In The Crown, Hardened	see at page 361	226-1946	4
		23522951	226-1946.010	
Cylinder Sleeve	.950" Port Height, High Brinell Sleeve	23502023	226-4464	4
	1.05" Port Height, High Brinell Sleeve	23502020	226-4466	4
		23504936	226-4466.001	
		5193733	226-4466.010	
Piston	18.7:1 CR, Naturally Aspirated Engines, Crosshead Style Piston, 4-Valve Cylinder Head	23522497	224-2260	4

PART	NOTES	OE INTERCHANGE NUMBER	PART NUMBER	PER ENGINE QTY
8 (cont.)	4.2500" 284 CID (4.7L) 4 Cyl Engine Code: '4-71'			8 (cont.)
Cylinder Components (cont.)				
Piston (cont.)	17.0:1 CR, Naturally Aspirated Engines, Trunk Style Piston, 2-Valve Cylinder Head, Except N65 Injectors	5189054	224-2469	4
	18.7:1 CR, Trunk Style Piston, 2-Valve Cylinder Head, N65 Injectors Special Order Engines, Recessed Head	5149234	224-2485	4
Ring Set	Use With Trunk Style Piston, 4 Valve, N65 Injectors, Chrome Steel Compression Ring	23514970	S40653	4
	Supersedes To S41900	See Note	S41407	4
	Sleeved Engine, Use With Crosshead Piston, Keystone Top Compression Ring, Chrome Steel Compression Ring	23522955	S41900	4
	Except N65 Injectors, Chrome Steel Top Ring, Chrome Second Ring	5193477	SC80061	4
Engine Gaskets				
Engine Cylinder Head Gasket Set		5150044	CH12197X	1
	OEM Rubber Valve Cover Gasket Included	5196381	HS12197B	1
Engine Conversion Gasket Set	Use with Head Set And Rear Main Seal Set to Make Full Set	23512675	CS12197X	1
Engine Valve Cover Gasket Set	2 Sets Required For Engine With Jacobs Engine Brake For Steel Valve Cover	5143406	VS39859	1
	2 Sets Required For Engine With Jacobs Engine Brake For Aluminum Valve Cover	5104081	VS39863	1
Valve Stem Seal (Exhaust)		8921209	B45767	8
Engine Oil Pan Gasket Set		5150116	OS31771	1
Engine Timing Cover Seal	Seal Only	23514608 5115454	47095	1
Rear Main Seal	Seal Only	5114335	46843	1
	Includes Oversize Seal And Sleeve	5197860	SS47870	1
Bearings				
Connecting Rod Bearing		23511129	CB-1596P	4
		23511133	CB-1596P-10	
		23511135	CB-1596P-20	
Main Bearings	Only Sold Separately	5192874	MB-1276P	5
		5192876	MB-1276P-10	
		5192877	MB-1276P-20	
Thrust Washer Set		5159353	TW-411S	1
Thrust Washer (Individual)		5159353	MB-2524W	4
Camshaft Bearing	Contains Steel Bushing In Center Hole	5196022	SH-468	3
	Steel Bushing In Center Hole Not Included	5196026	SH-525	3
Camshaft Thrust Washer	2 Per Package	5111424	SH-477W	2
Piston Pin Bushing	Use With Trunk Style Piston, 2 Per Rod, Requires Boring	5157274	223-3462	8
Valve Train & Ancillary				
Valve (Exhaust)	Turbine Blade High Strength	23500501	211-2462	16
Valve Guide	2.500" Length, 2 Exhaust Valves Per Cylinder	5119992	217-3832	1
	2.375" Length, Machined For Seal	5129919	217-3946	16
Valve Spring		5111339	212-1079	8

PART	NOTES	OE INTERCHANGE NUMBER	PART NUMBER	PER ENGINE QTY
8 (cont.)	4.2500" 284 CID (4.7L) 4 Cyl Engine Code: '4-71'			8 (cont.)

Valve Train & Ancillary (cont.)

Valve Seat Insert	For 4-Valve Cylinder Head	5101101	218-7373	16
Valve Keeper	Performer Hardened Steel	23507238	216-5118	16
	2 Exhaust Valves Per Cylinder, Valves with Rotocap Assembly, Engines with Rotocap Assembly, Except Roto Valve, Late Design, 1 Lock Groove Valve, Iron, .500" OD, 2.500" Length	5111337	216-5234	8

9	4.2500" 426 CID (7.0L) 6 Cyl Engine Code: '6-71'			9
----------	--	--	--	----------

Cylinder Components

Cylinder Sleeve Assembly	Except N65 Injectors, Contains High Brinell Sleeve, Sleeve Has .810" Port Height, Requires New Cylinder Sleeve Insert Rings, Contains Trunk Style Piston	see at page 362	226-1220	6
		See Note	226-1220.010	
		See Note	226-1220.020	
	Naturally Aspirated Engines, Contains High Brinell Sleeve, Sleeve Has 1.05" Port Height, N65 Injectors Special Order Engines, Contains Trunk Style Piston, Requires New Cylinder Sleeve Insert Rings, Replace In Complete Sets, Sleeve Hardened To 40-45 Rockwell "C", Flange Annealed To 20-35 Rockwell "C"	see at page 361	226-1633	6
		5149263	226-1633.010	
Turbocharged Engines, Contains High Brinell Sleeve, Contains Crosshead Piston, Sleeve Has 1.05" Port Height	see at page 361	226-1945	6	
	23522491	226-1945.010		
Naturally Aspirated Engines, Contains High Brinell Sleeve, Sleeve Has 1.05" Port Height, Contains Crosshead Piston, With The Sealing Ring In The Crown, Hardened	see at page 361	226-1946	6	
	23522951	226-1946.010		
Cylinder Sleeve	.950" Port Height, High Brinell Sleeve	23502023	226-4464	6
	1.05" Port Height, High Brinell Sleeve	23502020	226-4466	6
		23504936	226-4466.001	
		5193733	226-4466.010	
Piston	18.7:1 CR, Naturally Aspirated Engines, Crosshead Style Piston, 4-Valve Cylinder Head	23522497	224-2260	6
	17.0:1 CR, Turbocharged Engines, Crosshead Style Piston, 2 Piece Piston	23522495	224-2360	6
	17.0:1 CR, Naturally Aspirated Engines, Trunk Style Piston, 2-Valve Cylinder Head, Except N65 Injectors	5189054	224-2469	6
	18.7:1 CR, Trunk Style Piston, 2-Valve Cylinder Head, N65 Injectors Special Order Engines, Recessed Head	5149234	224-2485	6
Ring Set	Use With Trunk Style Piston, 4 Valve, N65 Injectors, Chrome Steel Compression Ring	23514970	S40653	6
	Supersedes To S41900	See Note	S41407	6
	Turbocharged Engines, Use With Trunk Style Piston, Chrome Steel Compression Ring	23514971	S41659	6
	Sleeved Engine, Use With Crosshead Piston, Keystone Top Compression Ring, Chrome Steel Compression Ring	23522955	S41900	6
	Except N65 Injectors, Chrome Steel Top Ring, Chrome Second Ring	5193477	SC80061	6

Engine Gaskets

Engine Full Gasket Set	OEM Equivalent, Valve Cover Gasket And Rear Crankshaft Seals Not Included	23512676	FS12197H	1
Engine Cylinder Head Gasket Set	OEM Equivalent, Valve Cover Gasket Not Included	5195742	HS12197H	1

PART	NOTES	OE INTERCHANGE NUMBER	PART NUMBER	PER ENGINE QTY
9 (cont.)	4.2500" 426 CID (7.0L) 6 Cyl Engine Code: '6-71'			9 (cont.)
Engine Gaskets (cont.)				
Engine Valve Cover Gasket Set	2 Sets Required For Engine With Jacobs Engine Brake For Aluminum Valve Cover	5104019	VS39864	1
	2 Sets Required For Engine With Jacobs Engine Brake For Steel Valve Cover	5143407	VS39866	1
Valve Stem Seal (Exhaust)		8921209	B45767	12
Engine Oil Pan Gasket Set		5150117	OS31977	1
Engine Timing Cover Seal	Seal Only	23514608 5115454	47095	1
Rear Main Seal	Seal Only	5114335	46843	1
	Includes Oversize Seal And Sleeve	5197860	SS47870	1
Bearings				
Connecting Rod Bearing		23511129	CB-1596P	6
		23511133	CB-1596P-10	
		23511135	CB-1596P-20	
Main Bearing Set	Contains OE# 5192874(7) And 5159353(4)	See Note	MS-271P	1
		See Note	MS-271P-10	
		See Note	MS-271P-20	
Main Bearings	Only Sold Separately	5192874	MB-1276P	7
		5192876	MB-1276P-10	
		5192877	MB-1276P-20	
Thrust Washer Set		5159353	TW-411S	1
Thrust Washer (Individual)		5159353	MB-2524W	4
Camshaft Bearing	Contains Steel Bushing In Center Hole	5196022	SH-468	5
	Steel Bushing In Center Hole Not Included	5196026	SH-525	5
Camshaft Thrust Washer	2 Per Package	5111424	SH-477W	2
Piston Pin Bushing	Use With Trunk Style Piston, 2 Per Rod, Requires Boring	5157274	223-3462	12
Valve Train & Ancillary				
Valve (Exhaust)	Turbine Blade High Strength	23500501	211-2462	24
Valve Guide	2.500" Length, 2 Exhaust Valves Per Cylinder	5119992	217-3832	1
	2.375" Length, Machined For Seal	5129919	217-3946	24
Valve Spring		5111339	212-1079	12
Valve Seat Insert	For 4-Valve Cylinder Head	5101101	218-7373	24
Valve Keeper	Performer Hardened Steel	23507238	216-5118	24
	2 Exhaust Valves Per Cylinder, Valves with Rotocap Assembly, Engines with Rotocap Assembly, Except Roto Valve, Late Design, 1 Lock Groove Valve, Iron, .500" OD, 2.500" Length	5111337	216-5234	12

PART	NOTES	OE INTERCHANGE NUMBER	PART NUMBER	PER ENGINE QTY
10	4.2500" 426 CID (7.0L) 6 Cyl Engine Code: '6V-71'			10

Cylinder Components

Cylinder Sleeve Assembly	Naturally Aspirated Engines, Contains High Brinell Sleeve, Sleeve Has 1.05" Port Height, N65 Injectors Special Order Engines, Contains Trunk Style Piston, Requires New Cylinder Sleeve Insert Rings, Replace In Complete Sets, Sleeve Hardened To 40-45 Rockwell "C", Flange Annealed To 20-35 Rockwell "C"	see at page 361	226-1633	6
		5149263	226-1633.010	
	Turbocharged Engines, Contains High Brinell Sleeve, Contains Crosshead Piston, Sleeve Has 1.05" Port Height	see at page 361	226-1945	6
		23522491	226-1945.010	
	Naturally Aspirated Engines, Contains High Brinell Sleeve, Sleeve Has 1.05" Port Height, Contains Crosshead Piston, With The Sealing Ring In The Crown, Hardened	see at page 361	226-1946	6
		23522951	226-1946.010	
Cylinder Sleeve	.950" Port Height, High Brinell Sleeve	23502023	226-4464	6
	1.05" Port Height, High Brinell Sleeve	23502020	226-4466	6
		23504936	226-4466.001	
		5193733	226-4466.010	
Piston	18.7:1 CR, Naturally Aspirated Engines, Crosshead Style Piston, 4-Valve Cylinder Head	23522497	224-2260	6
	17.0:1 CR, Turbocharged Engines, Crosshead Style Piston, 2 Piece Piston	23522495	224-2360	6
	18.7:1 CR, Trunk Style Piston, 2-Valve Cylinder Head, N65 Injectors Special Order Engines, Recessed Head	5149234	224-2485	6
Ring Set	Use With Trunk Style Piston, 4 Valve, N65 Injectors, Chrome Steel Compression Ring	23514970	S40653	6
	Supersedes To S41900	See Note	S41407	6
	Turbocharged Engines, Use With Trunk Style Piston, Chrome Steel Compression Ring	23514971	S41659	6
	Sleeved Engine, Use With Crosshead Piston, Keystone Top Compression Ring, Chrome Steel Compression Ring	23522955	S41900	6

Engine Gaskets

Engine Cylinder Head Gasket Set	OEM Rubber Valve Cover Gasket Included	5196380	HS12197A	2
Engine Valve Cover Gasket Set	For Steel Valve Cover	5143405	VS39858	2
	For Aluminum Valve Cover	5104018	VS39862	2
Valve Stem Seal (Exhaust)		8921209	B45767	12
Engine Timing Cover Seal	Seal Only	23514608 5115454	47095	1
Rear Main Seal	Seal Only	5114335	46843	1
	Includes Oversize Seal And Sleeve	5197860	SS47870	1

Miscellaneous Gaskets

Engine Coolant Thermostat Seal	Packaged in Quantities of 20	5132155	GS27706	20
---------------------------------------	------------------------------	---------	----------------	----

Bearings

Connecting Rod Bearing	5149572	CB-555P	6
	5149575	CB-555P-10	
	5149577	CB-555P-20	
	5149579	CB-555P-30	

PART	NOTES	OE INTERCHANGE NUMBER	PART NUMBER	PER ENGINE QTY
10 (cont.)	4.2500" 426 CID (7.0L) 6 Cyl Engine Code: '6V-71'			10 (cont.)

Bearings (cont.)

Main Bearing Set	Contains 4 Piece Thrust Washer Set, Contains OE# 5149565 (4) And 5117005 (4)	See Note	MS-1385P	1
		See Note	MS-1385P-10	
		See Note	MS-1385P-20	
		See Note	MS-1385P-30	
Main Bearings	Only Sold Separately	5149565	MB-2687P	4
		5149567	MB-2687P-10	
		5149568	MB-2687P-20	
		8922118	MB-2687P-30	
Thrust Washer Set	Contains 4 Pieces	5117005	TW-402S	4
Thrust Washer (Individual)		5117005	MB-2523W	4
Camshaft Bearing	Contains Steel Bushing In Center Hole	5196022	SH-468	4
	Steel Bushing In Center Hole Not Included	5196026	SH-525	4
Camshaft Thrust Washer	2 Per Package	5111424	SH-477W	2
Piston Pin Bushing	Use With Trunk Style Piston, 2 Per Rod, Requires Boring	5157274	223-3462	12

Valve Train & Ancillary

Valve (Exhaust)	Turbine Blade High Strength	23500501	211-2462	24
Valve Guide	2.500" Length, 2 Exhaust Valves Per Cylinder	5119992	217-3832	1
	2.375" Length, Machined For Seal	5129919	217-3946	24
Valve Spring		5111339	212-1079	12
Valve Seat Insert	For 4-Valve Cylinder Head	5101101	218-7373	24
Valve Keeper	2 Exhaust Valves Per Cylinder, Valves with Rotocap Assembly, Engines with Rotocap Assembly, Except Roto Valve, Late Design, 1 Lock Groove Valve, Iron, .500" OD, 2.500" Length	5111337	216-5234	12

Crankshaft

Crankshaft	.010" Undersize	Exclusive	247-5006	1
		5146733	247-5023	1
	.010" Undersize, Remanufactured	Exclusive	247-5113	1

11	4.2500" 568 CID (9.3L) 8 Cyl Engine Code: '8V-71'			11
-----------	---	--	--	-----------

Cylinder Components

Cylinder Sleeve Assembly	Naturally Aspirated Engines, Contains High Brinell Sleeve, Sleeve Has 1.05" Port Height, N65 Injectors Special Order Engines, Contains Trunk Style Piston, Requires New Cylinder Sleeve Insert Rings, Replace In Complete Sets, Sleeve Hardened To 40-45 Rockwell "C", Flange Annealed To 20-35 Rockwell "C"	see at page 361	226-1633	8	
		5149263	226-1633.010		
	Turbocharged Engines, Contains High Brinell Sleeve, Contains Crosshead Piston, Sleeve Has 1.05" Port Height	see at page 361	226-1945	8	
Cylinder Sleeve	.950" Port Height, High Brinell Sleeve	23502023	226-4464	8	
		1.05" Port Height, High Brinell Sleeve	23502020	226-4466	8
			23504936	226-4466.001	
			5193733	226-4466.010	
Piston	18.7:1 CR, Naturally Aspirated Engines, Crosshead Style Piston, 4-Valve Cylinder Head	23522497	224-2260	8	

PART	NOTES	OE INTERCHANGE NUMBER	PART NUMBER	PER ENGINE QTY
11 (cont.)	4.2500" 568 CID (9.3L) 8 Cyl Engine Code: '8V-71'			11 (cont.)

Cylinder Components (cont.)

Piston (cont.)	17.0:1 CR, Turbocharged Engines, Crosshead Style Piston, 2 Piece Piston	23522495	224-2360	8
	18.7:1 CR, Trunk Style Piston, 2-Valve Cylinder Head, N65 Injectors Special Order Engines, Recessed Head	5149234	224-2485	8
Ring Set	Use With Trunk Style Piston, 4 Valve, N65 Injectors, Chrome Steel Compression Ring	23514970	S40653	8
	Supersedes To S41900	See Note	S41407	8
	Turbocharged Engines, Use With Trunk Style Piston, Chrome Steel Compression Ring	23514971	S41659	8
	Sleeved Engine, Use With Crosshead Piston, Keystone Top Compression Ring, Chrome Steel Compression Ring	23522955	S41900	8

Engine Gaskets

Engine Full Gasket Set	Excludes Coach, OEM Equivalent, Valve Cover Gasket And Rear Crankshaft Seals Not Included	23512680	FS12197JT	1
Engine Cylinder Head Gasket Set		5150044	CH12197X	2
	OEM Rubber Valve Cover Gasket Included	5196381	HS12197B	2
	OEM Equivalent, Valve Cover Gasket Not Included	5196381	HS12197J	1
Engine Valve Cover Gasket Set	For Steel Valve Cover	5143406	VS39859	2
	For Aluminum Valve Cover	5104081	VS39863	2
Valve Stem Seal (Exhaust)		8921209	B45767	16
Engine Oil Pan Gasket Set	For Engine With Stamped Steel Oil Pan	5117231	OS31790	1
Engine Timing Cover Seal	Seal Only	23514608 5115454	47095	1
Rear Main Seal	Seal Only	5114335	46843	1
	Includes Oversize Seal And Sleeve	5197860	SS47870	1

Miscellaneous Gaskets

Engine Coolant Thermostat Seal	Packaged in Quantities of 20	5132155	GS27706	20
---------------------------------------	------------------------------	---------	----------------	----

Bearings

Connecting Rod Bearing		5149572	CB-555P	8
		5149575	CB-555P-10	
		5149577	CB-555P-20	
		5149579	CB-555P-30	
Main Bearing Set	Contains 4 Piece Thrust Washer Set, Contains OE# 5149565 (5) And 5117005 (4)	See Note	MS-1386P	1
		See Note	MS-1386P-10	
		See Note	MS-1386P-20	
		See Note	MS-1386P-30	
Main Bearings	Only Sold Separately	5149565	MB-2687P	5
		5149567	MB-2687P-10	
		5149568	MB-2687P-20	
		8922118	MB-2687P-30	
Thrust Washer Set	Contains 4 Pieces	5117005	TW-402S	4
Thrust Washer (Individual)		5117005	MB-2523W	4

PART	NOTES	OE INTERCHANGE NUMBER	PART NUMBER	PER ENGINE QTY
11 (cont.)	4.2500" 568 CID (9.3L) 8 Cyl Engine Code: '8V-71'			11 (cont.)

Bearings (cont.)

Camshaft Bearing	Contains Steel Bushing In Center Hole	5196022	SH-468	6
	Steel Bushing In Center Hole Not Included	5196026	SH-525	6
Camshaft Thrust Washer	2 Per Package	5111424	SH-477W	2
Piston Pin Bushing	Use With Trunk Style Piston, 2 Per Rod, Requires Boring	5157274	223-3462	16

Valve Train & Ancillary

Valve (Exhaust)	Turbine Blade High Strength	23500501	211-2462	32
Valve Guide	2.500" Length, 2 Exhaust Valves Per Cylinder	5119992	217-3832	1
	2.375" Length, Machined For Seal	5129919	217-3946	32
Valve Spring		5111339	212-1079	16
Valve Seat Insert	For 4-Valve Cylinder Head	5101101	218-7373	32
Valve Keeper	2 Exhaust Valves Per Cylinder, Valves with Rotocap Assembly, Engines with Rotocap Assembly, Except Roto Valve, Late Design, 1 Lock Groove Valve, Iron, .500" OD, 2.500" Length	5111337	216-5234	16

Crankshaft

Crankshaft	.010" Undersize	Exclusive	247-5005	1
		5103264	247-5024	1
	.010" Undersize, Remanufactured	Exclusive	247-5114	1

12 **4.2500" 500 CID (8.2L) 8 Cyl**
Engine Code: '8.2L'

12**Cylinder Components**

Piston	Supersedes To 224-3502	See Note	224-2251	8	
	Supersedes To 224-3501	See Note	224-2252	8	
		See Note	224-2252.020		
		8921605		224-3501•	8
		8922452		224-3501.010	
		Exclusive		224-3501.030	
		Exclusive		224-3501.040	
	Turbocharged Engines	8925818		224-3502•	8
892581830			224-3502.030		
Rebore Kit	Supersedes To 225-3501	See Note	224-2997	8	
	Supersedes To 225-3502	See Note	224-2998	8	
	Contains Piston OE# 8921605, And Ring Set 8921721	See Note	225-3501	8	
	Turbocharged Engines, Contains Piston OE# 8925818, And Ring Set 8921722	See Note	225-3502	8	
Ring Set	Chrome Ductile Compression Ring	8921721	S41294	8	
		8923919	S41294.020		
	Keystone Top Compression Ring, Chrome Ductile Second Ring, Turbocharged Engines	8921722	S41895	8	
		8921722	S41895.020		

Engine Gaskets

Engine Cylinder Head Gasket Set	Includes 11 Bolt Valve Cover Gaskets	8924127	HS3983	1
Engine Conversion Gasket Set	Use with Head Set And Rear Main Seal Set to Make Full Set, One Piece Silicone Oil Pan Gasket Not Included	Exclusive	CS3983	1
Engine Cylinder Head Gasket		8923848	3983	2

PART	NOTES	OE INTERCHANGE NUMBER	PART NUMBER	PER ENGINE QTY
12 (cont.)	4.2500" 500 CID (8.2L) 8 Cyl Engine Code: '8.2L'			12 (cont.)

Engine Gaskets (cont.)

Engine Valve Cover Gasket Set	With 11 Bolt Holes	8920271	VS39363	1
	With 9 Bolt holes	8926675	VS50070	1
Engine Valve Stem Seal Set	Intake And Exhaust	23500480	B45737	16
Engine Intake Manifold Gasket Set	Contains OE# 8921883(2), 8920219(2), 8920085, 8920246 And 8920247(2)	See Note	MS15328	1
Exhaust Manifold Gasket Set		8921817	MS15523	1
Engine Oil Pan Gasket Set	Excludes One Piece Silicone Gasket	5149728	OS30938	1
	Includes One Piece Silicone Gasket, With 13 Bolt Holes	8922786	OS32035	1
Engine Timing Cover Seal	Seal Only	8920200	47912	1
Rear Main Seal	Seal Only	8926761	47913	1

Miscellaneous Gaskets

Engine Coolant Thermostat Gasket Set	Water Outlet	8924813	C31542	1
---	--------------	---------	---------------	---

Bearings

Connecting Rod Bearing		8921714	CB-1288P	8
		8924703	CB-1288P-10	
		23525859 8921714	CB-1288P-20	
		8921714(.030)	CB-1288P-30	
Main Bearing Set	Contains OE# 8921712(4) And Flanged 8922948	See Note	MS-1566P	1
		See Note	MS-1566P-10	
		See Note	MS-1566P-20	
Camshaft Bearing Set		8922110	SH-2181S•	1
Piston Pin Bushing	Requires Boring	8920078	223-3579	8

Valve Train & Ancillary

Valve (Intake)		8920119	211-2552	8
Valve (Exhaust)		8921347	211-2551	8
Valve Guide	.3440" ID, .5640 OD, 2.875 Length	Exclusive	217-3254•	16

13	4.2500" 852 CID (14.0L) 12 Cyl Engine Code: '12V-71'			13
-----------	--	--	--	-----------

Cylinder Components

Cylinder Sleeve Assembly	Naturally Aspirated Engines, Contains High Brinell Sleeve, Sleeve Has 1.05" Port Height, N65 Injectors Special Order Engines, Contains Trunk Style Piston, Requires New Cylinder Sleeve Insert Rings, Replace In Complete Sets, Sleeve Hardened To 40-45 Rockwell "C", Flange Annealed To 20-35 Rockwell "C"	see at page 361	226-1633	12
		5149263	226-1633.010	
	Turbocharged Engines, Contains High Brinell Sleeve, Contains Crosshead Piston, Sleeve Has 1.05" Port Height	see at page 361	226-1945	12
		23522491	226-1945.010	
	Naturally Aspirated Engines, Contains High Brinell Sleeve, Sleeve Has 1.05" Port Height, Contains Crosshead Piston, With The Sealing Ring In The Crown, Hardened	see at page 361	226-1946	12
		23522951	226-1946.010	

PART	NOTES	OE INTERCHANGE NUMBER	PART NUMBER	PER ENGINE QTY
13 (cont.)	4.2500" 852 CID (14.0L) 12 Cyl Engine Code: '12V-71'			13 (cont.)
Cylinder Components (cont.)				
Cylinder Sleeve	.950" Port Height, High Brinell Sleeve	23502023	226-4464	12
	1.05" Port Height, High Brinell Sleeve	23502020	226-4466	12
		23504936	226-4466.001	
		5193733	226-4466.010	
Piston	18.7:1 CR, Naturally Aspirated Engines, Crosshead Style Piston, 4-Valve Cylinder Head	23522497	224-2260	12
	17.0:1 CR, Turbocharged Engines, Crosshead Style Piston, 2 Piece Piston	23522495	224-2360	12
	18.7:1 CR, Trunk Style Piston, 2-Valve Cylinder Head, N65 Injectors Special Order Engines, Recessed Head	5149234	224-2485	12
Ring Set	Use With Trunk Style Piston, 4 Valve, N65 Injectors, Chrome Steel Compression Ring	23514970	S40653	12
	Supersedes To S41900	See Note	S41407	12
	Turbocharged Engines, Use With Trunk Style Piston, Chrome Steel Compression Ring	23514971	S41659	12
	Sleeved Engine, Use With Crosshead Piston, Keystone Top Compression Ring, Chrome Steel Compression Ring	23522955	S41900	12
Engine Gaskets				
Engine Full Gasket Set	OEM Equivalent, Valve Cover Gasket And Rear Crankshaft Seals Not Included	23512681	FS12197K	1
Engine Valve Cover Gasket Set	For Aluminum Valve Cover	5104019	VS39864	2
	For Steel Valve Cover	5143407	VS39866	2
Valve Stem Seal (Exhaust)		8921209	B45767	24
Engine Timing Cover Seal	Seal Only	23514608 5115454	47095	1
Rear Main Seal	Seal Only	5114335	46843	1
	Includes Oversize Seal And Sleeve	5197860	SS47870	1
Bearings				
Connecting Rod Bearing		5149572	CB-555P	12
		5149575	CB-555P-10	
		5149577	CB-555P-20	
		5149579	CB-555P-30	
Main Bearings	Only Sold Separately	5149565	MB-2687P	7
		5149567	MB-2687P-10	
		5149568	MB-2687P-20	
		8922118	MB-2687P-30	
Thrust Washer Set	Contains 4 Pieces	5117005	TW-402S	4
Thrust Washer (Individual)		5117005	MB-2523W	4
Camshaft Bearing	Contains Steel Bushing In Center Hole	5196022	SH-468	10
	Steel Bushing In Center Hole Not Included	5196026	SH-525	10
Camshaft Thrust Washer	2 Per Package	5111424	SH-477W	4
Piston Pin Bushing	Use With Trunk Style Piston, 2 Per Rod, Requires Boring	5157274	223-3462	24
Valve Train & Ancillary				
Valve (Exhaust)	Turbine Blade High Strength	23500501	211-2462	48

PART	NOTES	OE INTERCHANGE NUMBER	PART NUMBER	PER ENGINE QTY
13 (cont.)	4.2500" 852 CID (14.0L) 12 Cyl Engine Code: '12V-71'			13 (cont.)

Valve Train & Ancillary (cont.)

Valve Guide	2.500" Length, 2 Exhaust Valves Per Cylinder	5119992	217-3832	1
	2.375" Length, Machined For Seal	5129919	217-3946	48
Valve Spring		5111339	212-1079	24
Valve Seat Insert	For 4-Valve Cylinder Head	5101101	218-7373	48
Valve Keeper	2 Exhaust Valves Per Cylinder, Valves with Rotocap Assembly, Engines with Rotocap Assembly, Except Roto Valve, Late Design, 1 Lock Groove Valve, Iron, .500" OD, 2.500" Length	5111337	216-5234	24

Crankshaft

Crankshaft		23502165	247-5014	1
-------------------	--	----------	-----------------	---

14	4.2500" 1136 CID (18.6L) 16 Cyl Engine Code: '16V-71'			14
-----------	---	--	--	-----------

Cylinder Components

Cylinder Sleeve Assembly	Naturally Aspirated Engines, Contains High Brinell Sleeve, Sleeve Has 1.05" Port Height, N65 Injectors Special Order Engines, Contains Trunk Style Piston, Requires New Cylinder Sleeve Insert Rings, Replace In Complete Sets, Sleeve Hardened To 40-45 Rockwell "C", Flange Annealed To 20-35 Rockwell "C"	see at page 361	226-1633	16	
		5149263	226-1633.010		
	Turbocharged Engines, Contains High Brinell Sleeve, Contains Crosshead Piston, Sleeve Has 1.05" Port Height	see at page 361	226-1945	16	
		23522491	226-1945.010		
Cylinder Sleeve	Naturally Aspirated Engines, Contains High Brinell Sleeve, Sleeve Has 1.05" Port Height, Contains Crosshead Piston, With The Sealing Ring In The Crown, Hardened	see at page 361	226-1946	16	
		23522951	226-1946.010		
Cylinder Sleeve	.950" Port Height, High Brinell Sleeve	23502023	226-4464	16	
		1.05" Port Height, High Brinell Sleeve	23502020	226-4466	16
		23504936	226-4466.001		
		5193733	226-4466.010		
Piston	18.7:1 CR, Naturally Aspirated Engines, Crosshead Style Piston, 4-Valve Cylinder Head	23522497	224-2260	16	
	17.0:1 CR, Turbocharged Engines, Crosshead Style Piston, 2 Piece Piston	23522495	224-2360	16	
	18.7:1 CR, Trunk Style Piston, 2-Valve Cylinder Head, N65 Injectors Special Order Engines, Recessed Head	5149234	224-2485	16	
Ring Set	Use With Trunk Style Piston, 4 Valve, N65 Injectors, Chrome Steel Compression Ring	23514970	S40653	16	
	Supersedes To S41900	See Note	S41407	16	
	Turbocharged Engines, Use With Trunk Style Piston, Chrome Steel Compression Ring	23514971	S41659	16	
	Sleeved Engine, Use With Crosshead Piston, Keystone Top Compression Ring, Chrome Steel Compression Ring	23522955	S41900	16	

Engine Gaskets

Engine Cylinder Head Gasket Set	OEM Equivalent, Valve Cover Gasket Not Included	5196381	HS12197J	2
Engine Valve Cover Gasket Set	For Steel Valve Cover	5143406	VS39859	4
	For Aluminum Valve Cover	5104081	VS39863	4
Valve Stem Seal (Exhaust)		8921209	B45767	32

PART	NOTES	OE INTERCHANGE NUMBER	PART NUMBER	PER ENGINE QTY
14 (cont.)	4.2500" 1136 CID (18.6L) 16 Cyl Engine Code: '16V-71'			14 (cont.)

Engine Gaskets (cont.)

Engine Timing Cover Seal	Seal Only	5114335	46843	1
	Seal Only	23514608 5115454	47095	1

Bearings

Connecting Rod Bearing		5149572	CB-555P	16
		5149575	CB-555P-10	
		5149577	CB-555P-20	
		5149579	CB-555P-30	
Main Bearings	Only Sold Separately	5149565	MB-2687P	10
		5149567	MB-2687P-10	
		5149568	MB-2687P-20	
		8922118	MB-2687P-30	
Thrust Washer Set	Contains 4 Pieces	5117005	TW-402S	4
Thrust Washer (Individual)		5117005	MB-2523W	4
Camshaft Bearing	Contains Steel Bushing In Center Hole	5196022	SH-468	12
	Steel Bushing In Center Hole Not Included	5196026	SH-525	12
Camshaft Thrust Washer	2 Per Package	5111424	SH-477W	6
Piston Pin Bushing	Use With Trunk Style Piston, 2 Per Rod, Requires Boring	5157274	223-3462	32

Valve Train & Ancillary

Valve (Exhaust)	Turbine Blade High Strength	23500501	211-2462	64
Valve Guide	2.500" Length, 2 Exhaust Valves Per Cylinder	5119992	217-3832	1
	2.375" Length, Machined For Seal	5129919	217-3946	64
Valve Spring		5111339	212-1079	32
Valve Seat Insert	For 4-Valve Cylinder Head	5101101	218-7373	64
Valve Keeper	2 Exhaust Valves Per Cylinder, Valves with Rotocap Assembly, Engines with Rotocap Assembly, Except Roto Valve, Late Design, 1 Lock Groove Valve, Iron, .500" OD, 2.500" Length	5111337	216-5234	32

15	4.3000" 466 CID (7.6L) 6 Cyl; Navistar 40 Series	15
-----------	--	-----------

Cylinder Components

Cylinder Sleeve Assembly	Contains OE# Piston 1823313C1	see at page 361	226-1962	6
Cylinder Sleeve		1815674C1	226-4567	6
Piston		1823313C1	224-3350	6
Ring Set		1817247C91	S41781	6
Sleeve O-Ring Kit		1822322	223-7211	6

Engine Gaskets

Engine Cylinder Head Gasket Set		1824970C99 1830720C94	HS54189	1
Engine Conversion Gasket Set	Contains OE # Oil Pan Gasket 1826587C1	See Note	CS54511	1
In-frame Overhaul Set	Covers OE # Head Set 1830720C94 And Oil Pan Gasket 1826587C1	See Note	EK3527	1

PART	NOTES	OE INTERCHANGE NUMBER	PART NUMBER	PER ENGINE QTY
15 (cont.)	4.3000" 466 CID (7.6L) 6 Cyl; Navistar 40 Series			15 (cont.)

Engine Gaskets (cont.)

Engine Cylinder Head Gasket		1817562	54189	1
Engine Valve Cover Gasket Set		1825602C91	VS50517	1
Engine Valve Stem Seal Set	Intake And Exhaust, Use with 5/16" Stem Diameter	1822245	B45913	12
	Intake And Exhaust, Positive Viton, Use With 3/8" Stem Diameter	1823925C1	B45987	12
Exhaust Manifold Gasket Set		1825436	MS19824•	1
Engine Oil Pan Gasket Set		1826587	OS32226	1
Engine Timing Cover Gasket Set		680084 690437	SS47537	1
Rear Main Seal		1817867	67815	1

Bearings

Connecting Rod Bearing		1822389C91	CB-1659P	6
		1822486C91	CB-1659P-10	
		1822487C91	CB-1659P-20	
Main Bearing Set	Standard Set Contains OE# 1822321(6) And Flanged 1822379, .010" Undersize Set Contains 1822490(6) And 1822494, .020" Undersize Set Contains 1822491(6) And 1822495	See Note	MS-2096P	1
		See Note	MS-2096P-10	
		See Note	MS-2096P-20	
Camshaft Bearing Set		680117	SH-994S	1

Valve Train & Ancillary

Valve (Intake)		1823875	211-4155	6
Valve (Exhaust)		1824840	211-4154	6
Valve Guide (Intake & Exhaust)		1815264	217-4077	12
Valve Spring	Exhaust	1825540	212-1440	6

16	4.5900" 530 CID (8.7L) 6 Cyl; International 40 Series			16
-----------	---	--	--	-----------

Engine Gaskets

Engine Cylinder Head Gasket		1817562	54189	1
Engine Oil Pan Gasket Set		1826587	OS32226	1

Bearings

Connecting Rod Bearing		1822389C91	CB-1659P	6
		1822486C91	CB-1659P-10	
		1822487C91	CB-1659P-20	
Main Bearing Set	Standard Set Contains OE# 1822321(6) And Flanged 1822379, .010" Undersize Set Contains 1822490(6) And 1822494, .020" Undersize Set Contains 1822491(6) And 1822495	See Note	MS-2096P	1
		See Note	MS-2096P-10	
		See Note	MS-2096P-20	
Camshaft Bearing Set		680117	SH-994S	1

Valve Train & Ancillary

Valve (Intake)		1823875	211-4155	6
Valve (Exhaust)		1824840	211-4154	6



PART	NOTES	OE INTERCHANGE NUMBER	PART NUMBER	PER ENGINE QTY
16 (cont.)	4.5900" 530 CID (8.7L) 6 Cyl; International 40 Series			16 (cont.)

Valve Train & Ancillary (cont.)

Valve Guide (Intake & Exhaust)		1815264	217-4077	12
Valve Spring	Exhaust	1825540	212-1440	6

17	4.8400" 552 CID (9.0L) 6 Cyl; Supercharged Engine Code: '6V-92'			17
-----------	---	--	--	-----------

Cylinder Components

Cylinder Sleeve Assembly	17.0:1 CR, Turbocharged Engines, Contains High Brinell Sleeve, .950" Port Height, Contains Crosshead Piston, 2 Piece Piston	see at page 361	226-1738	6
	17.0:1 CR, Turbocharged Engines, Contains High Brinell Sleeve, Sleeve Has 1.05" Port Height, Contains Crosshead Piston, 2 Piece Piston	see at page 361	226-1739*	6
Cylinder Sleeve	Turbocharged Engines, High Brinell Sleeve, 1.05" Port Height Sleeve, 30 Degrees	5148505	226-4467	6
	Turbocharged Engines, High Brinell Sleeve, .950" Port Height, 25 Degrees	5107176	226-4470	6
Piston	17.0:1 CR, Turbocharged Engines, Crosshead Style Piston, 2 Piece Piston	5149963	224-2272	6
Ring Set	Turbocharged Engines, Sleeved Engine, Keystone Top Compression Ring	23524349	S41410	6
Sleeve O-Ring Kit		8927189	223-7186	6

Engine Gaskets

Engine Valve Cover Gasket Set	For Steel Valve Cover	5143405	VS39858	2
	For Aluminum Valve Cover	5104018	VS39862	2
Valve Stem Seal (Exhaust)		8921209	B45767	12
Engine Timing Cover Seal	Seal Only	23514608 5115454	47095	1
Rear Main Seal	Seal Only	8926762	46844	1
	Seal Only	8926761	47913	1

Bearings

Connecting Rod Bearing		5149572	CB-555P	6
		5149575	CB-555P-10	
		5149577	CB-555P-20	
		5149579	CB-555P-30	
Main Bearing Set	Contains 4 Piece Thrust Washer Set, Contains OE# 5149565 (4) And 5117005 (4)	See Note	MS-1385P	1
		See Note	MS-1385P-10	
		See Note	MS-1385P-20	
		See Note	MS-1385P-30	
Main Bearings	Only Sold Separately	5149565	MB-2687P	4
		5149567	MB-2687P-10	
		5149568	MB-2687P-20	
		8922118	MB-2687P-30	
Thrust Washer Set	Contains 4 Pieces	5117005	TW-402S	4
Thrust Washer (Individual)		5117005	MB-2523W	4
Camshaft Bearing	Steel Bushing In Center Hole Not Included	5196026	SH-525	4

PART	NOTES	OE INTERCHANGE NUMBER	PART NUMBER	PER ENGINE QTY
17 (cont.)	4.8400" 552 CID (9.0L) 6 Cyl; Supercharged Engine Code: '6V-92'			17 (cont.)

Bearings (cont.)

Camshaft Thrust Washer	2 Per Package	5111424	SH-477W	2
-------------------------------	---------------	---------	----------------	---

Valve Train & Ancillary

Valve (Exhaust)		5149771	211-2439	24
Valve Guide	2.375" Length, Machined For Seal	5129919	217-3946	24
Valve Seat Insert		5148490	218-7813	24
Valve Keeper	2 Exhaust Valves Per Cylinder, Valves with Rotocap Assembly, Engines with Rotocap Assembly, Except Roto Valve, Late Design, 1 Lock Groove Valve, Iron, .500" OD, 2.500" Length	5111337	216-5234	12

Crankshaft

Crankshaft	Left Hand	8926922	247-5041	1
		8926921	247-5042	1

18	4.8400" 736 CID (12.1L) 8 Cyl; Supercharged Engine Code: '8V-92'			18
-----------	--	--	--	-----------

Cylinder Components

Cylinder Sleeve Assembly	17.0:1 CR, Turbocharged Engines, Contains High Brinell Sleeve, .950" Port Height, Contains Crosshead Piston, 2 Piece Piston	see at page 361	226-1738	8
	17.0:1 CR, Turbocharged Engines, Contains High Brinell Sleeve, Sleeve Has 1.05" Port Height, Contains Crosshead Piston, 2 Piece Piston	see at page 361	226-1739•	8
Cylinder Sleeve	Turbocharged Engines, High Brinell Sleeve, 1.05" Port Height Sleeve, 30 Degrees	5148505	226-4467	8
	Turbocharged Engines, High Brinell Sleeve, .950" Port Height, 25 Degrees	5107176	226-4470	8
Piston	17.0:1 CR, Turbocharged Engines, Crosshead Style Piston, 2 Piece Piston	5149963	224-2272	8
Ring Set	Turbocharged Engines, Sleeved Engine, Keystone Top Compression Ring	23524349	S41410	8
Sleeve O-Ring Kit		8927189	223-7186	8

Engine Gaskets

Engine Valve Cover Gasket Set	For Steel Valve Cover	5143406	VS39859	2
	For Aluminum Valve Cover	5104081	VS39863	2
Valve Stem Seal (Exhaust)		8921209	B45767	16
Engine Oil Pan Gasket Set	For Engine With Stamped Steel Oil Pan	5117231	OS31790	1
Engine Timing Cover Seal	Seal Only	23514608 5115454	47095	1
Rear Main Seal	Seal Only	8926762	46844	1
	Seal Only	8926761	47913	1

Bearings

Connecting Rod Bearing		5149572	CB-555P	8
		5149575	CB-555P-10	
		5149577	CB-555P-20	
		5149579	CB-555P-30	



PART	NOTES	OE INTERCHANGE NUMBER	PART NUMBER	PER ENGINE QTY
18 (cont.)	4.8400" 736 CID (12.1L) 8 Cyl; Supercharged Engine Code: '8V-92'			18 (cont.)

Bearings (cont.)

Main Bearing Set	Contains 4 Piece Thrust Washer Set, Contains OE# 5149565 (5) And 5117005 (4)	See Note	MS-1386P	1
		See Note	MS-1386P-10	
		See Note	MS-1386P-20	
		See Note	MS-1386P-30	
Main Bearings	Only Sold Separately	5149565	MB-2687P	5
		5149567	MB-2687P-10	
		5149568	MB-2687P-20	
		8922118	MB-2687P-30	
Thrust Washer Set	Contains 4 Pieces	5117005	TW-402S	4
Thrust Washer (Individual)		5117005	MB-2523W	4
Camshaft Bearing	Steel Bushing In Center Hole Not Included	5196026	SH-525	6
Camshaft Thrust Washer	2 Per Package	5111424	SH-477W	2

Valve Train & Ancillary

Valve (Exhaust)		5149771	211-2439	32
Valve Guide	2.375" Length, Machined For Seal	5129919	217-3946	32
Valve Seat Insert		5148490	218-7813	32
Valve Keeper	2 Exhaust Valves Per Cylinder, Valves with Rotocap Assembly, Engines with Rotocap Assembly, Except Roto Valve, Late Design, 1 Lock Groove Valve, Iron, .500" OD, 2.500" Length	5111337	216-5234	16

Crankshaft

Crankshaft	UniRotational, Use In Left Hand And Right Hand	5101677	247-5009	1
	UniRotational, .010" Undersize	Exclusive	247-5022	1
	Left Hand	8926924	247-5027	1
	Right Hand	8926923	247-5028	1
	Right Hand, Remanufactured, .010" Undersize	Exclusive	247-5116	1
	Right Hand, .020" Undersize	Exclusive	247-5192	1

19 4.8400" 1104 CID (18.1L) 12 Cyl; Supercharged

Engine Code: '12V-92'

19**Cylinder Components**

Cylinder Sleeve Assembly	17.0:1 CR, Turbocharged Engines, Contains High Brinell Sleeve, .950" Port Height, Contains Crosshead Piston, 2 Piece Piston	see at page 361	226-1738	12
	17.0:1 CR, Turbocharged Engines, Contains High Brinell Sleeve, Sleeve Has 1.05" Port Height, Contains Crosshead Piston, 2 Piece Piston	see at page 361	226-1739*	12
Cylinder Sleeve	Turbocharged Engines, High Brinell Sleeve, 1.05" Port Height Sleeve, 30 Degrees	5148505	226-4467	12
	Turbocharged Engines, High Brinell Sleeve, .950" Port Height, 25 Degrees	5107176	226-4470	12
Piston	17.0:1 CR, Turbocharged Engines, Crosshead Style Piston, 2 Piece Piston	5149963	224-2272	12
Ring Set	Turbocharged Engines, Sleeved Engine, Keystone Top Compression Ring	23524349	S41410	12
Sleeve O-Ring Kit		8927189	223-7186	12

PART	NOTES	OE INTERCHANGE NUMBER	PART NUMBER	PER ENGINE QTY
19 (cont.)	4.8400" 1104 CID (18.1L) 12 Cyl; Supercharged Engine Code: '12V-92'			19 (cont.)

Engine Gaskets

Engine Valve Cover Gasket Set	For Steel Valve Cover	5143405	VS39858	4
	For Aluminum Valve Cover	5104018	VS39862	4
Valve Stem Seal (Exhaust)		8921209	B45767	24
Rear Main Seal	Seal Only	8926761	47913	1

Bearings

Connecting Rod Bearing		5149572	CB-555P	12
		5149575	CB-555P-10	
		5149577	CB-555P-20	
		5149579	CB-555P-30	
Main Bearings	Only Sold Separately	5149565	MB-2687P	7
		5149567	MB-2687P-10	
		5149568	MB-2687P-20	
		8922118	MB-2687P-30	
Thrust Washer Set	Contains 4 Pieces	5117005	TW-402S	4
Thrust Washer (Individual)		5117005	MB-2523W	4
Camshaft Bearing	Steel Bushing In Center Hole Not Included	5196026	SH-525	10
Camshaft Thrust Washer	2 Per Package	5111424	SH-477W	4

Valve Train & Ancillary

Valve (Exhaust)		5149771	211-2439	48
Valve Guide	2.375" Length, Machined For Seal	5129919	217-3946	48
Valve Seat Insert		5148490	218-7813	48
Valve Keeper	2 Exhaust Valves Per Cylinder, Valves with Rotocap Assembly, Engines with Rotocap Assembly, Except Roto Valve, Late Design, 1 Lock Groove Valve, Iron, .500" OD, 2.500" Length	5111337	216-5234	24

Crankshaft

Crankshaft	Right Hand, Front And Rear, 2 Per Set	8927718 8927719	247-5118	1
-------------------	---------------------------------------	--------------------	-----------------	---

20

4.8400" 1472 CID (24.1L) 16 Cyl; Turbocharged
 Engine Code: '16V-92'

20

Cylinder Components

Cylinder Sleeve Assembly	17.0:1 CR, Turbocharged Engines, Contains High Brinell Sleeve, .950" Port Height, Contains Crosshead Piston, 2 Piece Piston	see at page 361	226-1738	16
	17.0:1 CR, Turbocharged Engines, Contains High Brinell Sleeve, Sleeve Has 1.05" Port Height, Contains Crosshead Piston, 2 Piece Piston	see at page 361	226-1739•	16
Cylinder Sleeve	Turbocharged Engines, High Brinell Sleeve, 1.05" Port Height Sleeve, 30 Degrees	5148505	226-4467	16
	Turbocharged Engines, High Brinell Sleeve, .950" Port Height, 25 Degrees	5107176	226-4470	16
Piston	17.0:1 CR, Turbocharged Engines, Crosshead Style Piston, 2 Piece Piston	5149963	224-2272	16
Ring Set	Turbocharged Engines, Sleeved Engine, Keystone Top Compression Ring	23524349	S41410	16

PART	NOTES	OE INTERCHANGE NUMBER	PART NUMBER	PER ENGINE QTY
20 (cont.)	4.8400" 1472 CID (24.1L) 16 Cyl; Turbocharged Engine Code: '16V-92'			20 (cont.)

Cylinder Components (cont.)

Sleeve O-Ring Kit		8927189	223-7186	16
--------------------------	--	---------	-----------------	----

Engine Gaskets

Engine Valve Cover Gasket Set	For Steel Valve Cover	5143406	VS39859	4
	For Aluminum Valve Cover	5104081	VS39863	4
Valve Stem Seal (Exhaust)		8921209	B45767	32
Rear Main Seal	Seal Only	8926761	47913	1

Bearings

Connecting Rod Bearing		5149572	CB-555P	16
		5149575	CB-555P-10	
		5149577	CB-555P-20	
		5149579	CB-555P-30	
Main Bearings	Only Sold Separately	5149565	MB-2687P	10
		5149567	MB-2687P-10	
		5149568	MB-2687P-20	
		8922118	MB-2687P-30	
Thrust Washer Set	Contains 4 Pieces	5117005	TW-402S	4
Thrust Washer (Individual)		5117005	MB-2523W	4
Camshaft Bearing	Steel Bushing In Center Hole Not Included	5196026	SH-525	12
Camshaft Thrust Washer	2 Per Package	5111424	SH-477W	6

Valve Train & Ancillary

Valve (Exhaust)		5149771	211-2439	62
Valve Guide	2.375" Length, Machined For Seal	5129919	217-3946	64
Valve Seat Insert		5148490	218-7813	64
Valve Keeper	2 Exhaust Valves Per Cylinder, Valves with Rotocap Assembly, Engines with Rotocap Assembly, Except Roto Valve, Late Design, 1 Lock Groove Valve, Iron, .500" OD, 2.500" Length	5111337	216-5234	32

Turbochargers

Turbocharger	Remanufactured	see at page 536	098 TC 21102 100	1
---------------------	----------------	-----------------	-------------------------	---

21	5.1180" 519 CID (8.5L) 4 Cyl; SOHC Engine Code: '50 Series'			21
-----------	---	--	--	-----------

Cylinder Components

Cylinder Sleeve Assembly	Top Liner Cooling-Liner, Crownless Kit, 2.5MM Top Ring, Contains OE# Skirt 23516681, Ring Set 23503747	see at page 361	226-1937	4
	With Standard Liner, Crownless Kit, 2.5MM Top Ring, Contains OE# Skirt 23516681, Ring Set 23503747	see at page 361	226-1938	4
	Top Liner Cooling-Liner, Crownless Kit, 3.5MM Top Ring, Contains OE# Skirt 23516681, Ring Set 23505729	see at page 361	226-1940	4
	With Standard Liner, Crownless Kit, 3.5MM Top Ring, Contains OE# Skirt 23516681, Ring Set 23505729	see at page 361	226-1941	4
	15.0:1 CR, 22MM Piston Pin, 2.5MM Top Ring, Top Liner Cooling-Liner	see at page 361	226-1990•	4



PART	NOTES	OE INTERCHANGE NUMBER	PART NUMBER	PER ENGINE QTY
21 (cont.)	5.1180" 519 CID (8.5L) 4 Cyl; SOHC Engine Code: '50 Series'			21 (cont.)

Cylinder Components (cont.)

Cylinder Sleeve Assembly (cont.)	16.5:1 CR, 22MM Piston Pin, 2.5MM Top Ring, Top Liner Cooling-Liner	see at page 362	226-1992•	4
Cylinder Sleeve	Supersedes To 226-4573	See Note	226-4556	4
		23532468	226-4558	4
	Top Liner Cooling-Liner	23531502	226-4573	4
Piston	Piston Cooling Nozzle Assembly	23528493	223-4000•	4
	15.0:1 CR, 22MM Piston Pin, Contained Within 226-1990	23530666	224-3627•	4
	16.5:1 CR, 22MM Piston Pin, Contained Within 226-1992	23530668	224-3629•	4
Piston Skirt		23516681	224-3305	4
		23521802	224-3583•	4
Ring Set	2.5MM Top Ring	23503747	S41891	4
	3.5MM Top Ring	23505729	S41892	4
Piston Pin		8929087	223-1845	4
	22MM Piston Pin	23525168	223-1851•	4
Lock Ring	2 Per Package	23521781	223-5511	4
Sleeve O-Ring Kit		8929013 8929176	223-7207	4
Piston Pin Bolt	2 Per Package	8929337	223-5512	4

Engine Gaskets

Engine Valve Stem Seal Set		23523930	B45895	16
Engine Timing Cover Seal		23518355	67745	1
Rear Main Seal	Double Lipped Seal, Contains Sleeve	23513578	67744	1

Miscellaneous Gaskets

Fuel Injection Nozzle O-Ring	Contains OE# 23511870, 5234702, 5234699(2), 5104701	See Note	GS33448	4
-------------------------------------	---	----------	----------------	---

Bearings

Connecting Rod Bearing		8929710	CB-1662P•	4
		8929711	CB-1662P-10	
Main Bearing Set	Requires Thrust Washer Set, Thrust Washer Set Not Included, Contains OE# 8929670(4) And 8929680	See Note	MS-2092P	1
		See Note	MS-2092P-10	
		See Note	MS-2092P-20	
Thrust Washer Set	Contains 2 Piece Thrust Washer Set	8929085	TW-600S	1
Camshaft Bearing		8929690	SH-1986	5

Valve Train & Ancillary

Valve (Intake)		8929589	211-3345	8
Valve (Exhaust)		8929590	211-3313	8
Valve Guide		23518571	217-4076	16
Valve Seat Insert		8929126	218-8002	8
		8929628	218-8002.010	
		8929629	218-8002.020	
		8929127	218-8003	8
		8929625	218-8003.010	
		8929626	218-8003.020	
		8929627	218-8003.030	

PART	NOTES	OE INTERCHANGE NUMBER	PART NUMBER	PER ENGINE QTY
21 (cont.)	5.1180" 519 CID (8.5L) 4 Cyl; SOHC Engine Code: '50 Series'			21 (cont.)

Turbochargers

Turbocharger		see at page 536	098 TC 21002 000	1
---------------------	--	-----------------	-------------------------	---

22	5.1180" 677 CID (11.1L) 6 Cyl; SOHC 60 Series			22
-----------	---	--	--	-----------

Cylinder Components

Cylinder Sleeve Assembly	Top Liner Cooling-Liner, Crownless Kit, 2.5MM Top Ring, Contains OE# Skirt 23516681, Ring Set 23503747	see at page 361	226-1937	6
	With Standard Liner, Crownless Kit, 2.5MM Top Ring, Contains OE# Skirt 23516681, Ring Set 23503747	see at page 361	226-1938	6
	Top Liner Cooling-Liner, Crownless Kit, 3.5MM Top Ring, Contains OE# Skirt 23516681, Ring Set 23505729	see at page 361	226-1940	6
	With Standard Liner, Crownless Kit, 3.5MM Top Ring, Contains OE# Skirt 23516681, Ring Set 23505729	see at page 361	226-1941	6
	15.0:1 CR, 22MM Piston Pin, 2.5MM Top Ring, Top Liner Cooling-Liner	see at page 361	226-1990•	6
	15.0:1 CR, 26MM Piston Pin, 2.5MM Top Ring, Top Liner Cooling-Liner	see at page 361	226-1991•	6
	16.5:1 CR, 22MM Piston Pin, 2.5MM Top Ring, Top Liner Cooling-Liner	see at page 362	226-1992•	6
	16.5:1 CR, 26MM Piston Pin, 2.5MM Top Ring, Top Liner Cooling-Liner	see at page 362	226-1993•	6
Cylinder Sleeve	Supersedes To 226-4573	See Note	226-4556	6
		23532468	226-4558	6
	Top Liner Cooling-Liner	23531502	226-4573	6
Piston	Piston Cooling Nozzle Assembly	23528493	223-4000•	6
	15.0:1 CR, 22MM Piston Pin, Contained Within 226-1990	23530666	224-3627•	6
	15.0:1 CR, 26MM Piston Pin, Contained Within 226-1991	23532882	224-3628•	6
	16.5:1 CR, 22MM Piston Pin, Contained Within 226-1992	23530668	224-3629•	6
	16.5:1 CR, 26MM Piston Pin, Contained Within 226-1993	23532884	224-3630•	6
Piston Skirt		23516681	224-3305	6
		23521802	224-3583•	6
Ring Set	2.5MM Top Ring	23503747	S41891	6
	3.5MM Top Ring	23505729	S41892	6
Piston Pin		8929087	223-1845	6
	26MM Piston Pin	23521649	223-1850•	6
	22MM Piston Pin	23525168	223-1851•	6
Lock Ring	2 Per Package	23521781	223-5511	6
Sleeve O-Ring Kit		8929013 8929176	223-7207	6
Piston Pin Bolt	2 Per Package	8929337	223-5512	6

Engine Gaskets

Engine Full Gasket Set	Valve Cover Gasket Not Included, Oil Pan Gasket Not Included, Valve Stem Seals Not Included, Front And Rear Crankshaft Seals Not Included	23532720	FS54157	1
Engine Cylinder Head Gasket Set	Valve Cover Gasket Not Included, Valve Stem Seals Not Included	23532333 23536442	HS54157	1
Engine Conversion Gasket Set		Exclusive	CS54157A	1
Engine Cylinder Head Gasket		23530421 23538406	54157	1

PART	NOTES	OE INTERCHANGE NUMBER	PART NUMBER	PER ENGINE QTY
22 (cont.)	5.1180" 677 CID (11.1L) 6 Cyl; SOHC 60 Series			22 (cont.)
Engine Gaskets (cont.)				
Engine Cylinder Head Bolt Set	Supersedes To GS33539	See Note	GS33390	38
	Contains 38 Pieces	23530768	GS33539	1
Engine Valve Cover Gasket Set	Early Model	23516322	VS50278	1
	Late Model	23522269	VS50404•	1
Engine Valve Stem Seal Set		23523930	B45914	24
Exhaust Manifold Gasket Set		23533983	MS19666	1
Engine Oil Pan Gasket Set	Gray, Includes Oil Pan Gasket And O-Rings	8929102	OS32204	1
	Black	23522279	OS32382	1
Engine Timing Cover Seal		23518355	67745	1
Rear Main Seal	Seal Only	8926761	47913	1
	Double Lipped Seal, Contains Sleeve	23513578	67744	1
Miscellaneous Gaskets				
Fuel Injection Nozzle O-Ring	Contains OE# 23511870, 5234702, 5234699(2), 5104701	See Note	GS33448	6
Bearings				
Connecting Rod Bearing		8929710	CB-1662P•	6
		8929711	CB-1662P-10	
	Wide Version, Grooved Upper Half	23515581	CB-1792P	6
		23515582	CB-1792P-.25MM	
		23515583	CB-1792P-.50MM	
Main Bearing Set	Requires Thrust Washer Set, Thrust Washer Set Not Included, Contains OE# 8929670(6) And 8929680	See Note	MS-2093P	
		See Note	MS-2093P-10	
		See Note	MS-2093P-20	
Thrust Washer Set	Contains 2 Piece Thrust Washer Set	8929085	TW-600S	1
Camshaft Bearing		8929690	SH-1986	7
Valve Train & Ancillary				
Valve (Intake)		8929589	211-3345	12
Valve (Exhaust)		8929590	211-3313	12
Valve Guide		23518571	217-4076	24
Valve Seat Insert		8929126	218-8002	12
		8929628	218-8002.010	
		8929629	218-8002.020	
		8929127	218-8003	12
		8929625	218-8003.010	
		8929626	218-8003.020	
		8929627	218-8003.030	
Crankshaft				
Crankshaft		8929238	247-5069	1

PART	NOTES	OE INTERCHANGE NUMBER	PART NUMBER	PER ENGINE QTY
23	5.1180" 778 CID (12.7L) 6 Cyl; Turbocharged SOHC 60 Series			23

Cylinder Components

Cylinder Sleeve Assembly	Top Liner Cooling-Liner, Crownless Kit, 2.5MM Top Ring, Contains OE# Skirt 23516681, Ring Set 23503747	see at page 361	226-1937	6
	With Standard Liner, Crownless Kit, 2.5MM Top Ring, Contains OE# Skirt 23516681, Ring Set 23503747	see at page 361	226-1938	6
	Top Liner Cooling-Liner, Crownless Kit, 3.5MM Top Ring, Contains OE# Skirt 23516681, Ring Set 23505729	see at page 361	226-1940	6
	With Standard Liner, Crownless Kit, 3.5MM Top Ring, Contains OE# Skirt 23516681, Ring Set 23505729	see at page 361	226-1941	6
	15.0:1 CR, 22MM Piston Pin, 2.5MM Top Ring, Top Liner Cooling-Liner	see at page 361	226-1990•	6
	15.0:1 CR, 26MM Piston Pin, 2.5MM Top Ring, Top Liner Cooling-Liner	see at page 361	226-1991•	6
	16.5:1 CR, 22MM Piston Pin, 2.5MM Top Ring, Top Liner Cooling-Liner	see at page 362	226-1992•	6
	16.5:1 CR, 26MM Piston Pin, 2.5MM Top Ring, Top Liner Cooling-Liner	see at page 362	226-1993•	6
Cylinder Sleeve	Supersedes To 226-4573	See Note	226-4556	6
		23532468	226-4558	6
	Top Liner Cooling-Liner	23531502	226-4573	6
Piston	Piston Cooling Nozzle Assembly	23528493	223-4000•	6
	15.0:1 CR, 22MM Piston Pin, Contained Within 226-1990	23530666	224-3627•	6
	15.0:1 CR, 26MM Piston Pin, Contained Within 226-1991	23532882	224-3628•	6
	16.5:1 CR, 22MM Piston Pin, Contained Within 226-1992	23530668	224-3629•	6
	16.5:1 CR, 26MM Piston Pin, Contained Within 226-1993	23532884	224-3630•	6
Piston Skirt		23516681	224-3305	6
		23521802	224-3583•	6
Ring Set	2.5MM Top Ring	23503747	S41891	6
	3.5MM Top Ring	23505729	S41892	6
Piston Pin		8929087	223-1845	6
	26MM Piston Pin	23521649	223-1850•	6
	22MM Piston Pin	23525168	223-1851•	6
Lock Ring	2 Per Package	23521781	223-5511	6
Sleeve O-Ring Kit		8929013 8929176	223-7207	6

Engine Gaskets

Engine Full Gasket Set	Valve Cover Gasket Not Included, Oil Pan Gasket Not Included, Valve Stem Seals Not Included, Front And Rear Crankshaft Seals Not Included	23532720	FS54157	1
Engine Cylinder Head Gasket Set	Valve Cover Gasket Not Included, Valve Stem Seals Not Included	23532333 23536442	HS54157	1
Engine Cylinder Head Gasket		23530421 23538406	54157	1
Engine Cylinder Head Bolt Set	Contains 38 Pieces	23530768	GS33539	1
Engine Valve Cover Gasket Set	Early Model	23516322	VS50278	1
	Late Model	23522269	VS50404•	1
Engine Valve Stem Seal Set		23523930	B45914	24
Exhaust Manifold Gasket Set		23533983	MS19666	1

PART	NOTES	OE INTERCHANGE NUMBER	PART NUMBER	PER ENGINE QTY
23 (cont.)	5.1180" 778 CID (12.7L) 6 Cyl; Turbocharged SOHC 60 Series			23 (cont.)

Engine Gaskets (cont.)

Engine Oil Pan Gasket Set	Gray, Includes Oil Pan Gasket And O-Rings	8929102	OS32204	1
	Black	23522279	OS32382	1
Engine Timing Cover Seal		23518355	67745	1
Rear Main Seal	Seal Only	8926761	47913	1
	Double Lipped Seal, Contains Sleeve	23513578	67744	1

Miscellaneous Gaskets

Fuel Injection Nozzle O-Ring	Contains OE# 23511870, 5234702, 5234699(2), 5104701	See Note	GS33448	6
-------------------------------------	---	----------	----------------	---

Bearings

Connecting Rod Bearing		8929710	CB-1662P•	6	
		8929711	CB-1662P-10		
	Wide Version, Grooved Upper Half		23515581	CB-1792P	6
			23515582	CB-1792P-.25MM	
			23515583	CB-1792P-.50MM	
	Wide Version, No Groove in Upper Half		23526142	CB-1836P	6
		23527065	CB-1836P-.25MM		
		23527066	CB-1836P-.50MM		
Main Bearing Set	Requires Thrust Washer Set, Thrust Washer Set Not Included, Contains OE# 8929670(6) And 8929680	See Note	MS-2093P	1	
		See Note	MS-2093P-10		
		See Note	MS-2093P-20		
Thrust Washer Set	Contains 2 Piece Thrust Washer Set	8929085	TW-600S	1	
Camshaft Bearing		8929690	SH-1986	7	

Valve Train & Ancillary

Valve (Intake)		8929589	211-3345	12
Valve (Exhaust)		8929590	211-3313	12
Valve Guide		23518571	217-4076	24
Valve Seat Insert		8929126	218-8002	12
		8929628	218-8002.010	
		8929629	218-8002.020	
		8929127	218-8003	12
		8929625	218-8003.010	
		8929626	218-8003.020	
		8929627	218-8003.030	

Turbochargers

Turbocharger		see at page 536	098 TC 21101 000	1
		see at page 536	098 TC 24130 000	1
		see at page 536	098 TC 24131 000	1
		see at page 536	098 TC 24132 000	1
		see at page 536	098 TC 24133 000	1
		see at page 536	098 TC 24136 000	1
		see at page 536	098 TC 24137 000	1
		see at page 536	098 TC 25592 000	1

PART	NOTES	OE INTERCHANGE NUMBER	PART NUMBER	PER ENGINE QTY
23 (cont.)	5.1180" 778 CID (12.7L) 6 Cyl; Turbocharged SOHC 60 Series			23 (cont.)
Turbochargers (cont.)				
Turbocharger (cont.)		see at page 536	098 TC 25606 000	1
Crankshaft				
Crankshaft		23515598	247-5223	1
		23515599	247-5236	1

24	5.2400" 855 CID (14.0L) 6 Cyl / 24 Valves; Turbocharged SOHC 60 Series			24
Cylinder Components				
Cylinder Sleeve Assembly	15.0:1 CR, Bushingless	see at page 362	226-2043	6
	16.0:1 CR, Oval Piston Design, Bushingless	see at page 362	226-2044•	6
	16.0:1 CR, Cut Back Design	see at page 362	226-2045•	6
	15.1:1 CR, Marine, 3MM Top Ring	see at page 362	226-2046•	6
Cylinder Sleeve		23531250	226-4583•	6
Piston	Piston Cooling Nozzle Assembly	23528493	223-4000•	6
	15.0:1 CR, Bushingless, Contained Within 226-2043	23530660	224-3738•	6
	16.0:1 CR, Oval Piston Design, Contained Within 226-2044	23530662	224-3739•	6
	16.0:1 CR, Cut Back Design, Contained Within 226-2045	23530664	224-3740•	6
	15.1:1 CR, Marine, 3MM Top Ring, Contained Within 226-2046	23533453	224-3741•	6
Piston Crown	15.0:1 CR	23530595	224-3738X•	6
	16.0:1 CR	23530597	224-3739X•	6
	16.0:1 CR, Cut Back	23527774	224-3740X•	6
	15.1:1 CR, Marine	23530766	224-3741X•	6
Piston Skirt		23529997	224-3743X•	6
Ring Set		23533510	S42132•	6
		23531252	S42133•	6
Piston Pin		23539049	223-1933•	6
Lock Ring	2 Per Package	23521781	223-5511	6

Engine Gaskets				
Engine Full Gasket Set	Valve Cover Gasket Not Included, Oil Pan Gasket Not Included, Valve Stem Seals Not Included, Front And Rear Crankshaft Seals Not Included	23536443	FS54157-A•	1
Engine Cylinder Head Gasket Set	Valve Cover Gasket Not Included, Valve Stem Seals Not Included	23532333 23536442	HS54157	1
Engine Cylinder Head Bolt Set	Contains 38 Pieces	23530768	GS33539	1
Engine Valve Cover Gasket Set	Early Model	23516322	VS50278	1
	Late Model	23522269	VS50404•	1
Engine Valve Stem Seal Set		23523930	B45914	24
Exhaust Manifold Gasket Set		23533983	MS19666	1
Engine Oil Pan Gasket Set	Black	23522279	OS32382	1
Engine Timing Cover Seal		23518355	67745	1



PART	NOTES	OE INTERCHANGE NUMBER	PART NUMBER	PER ENGINE QTY
24 (cont.)	5.2400" 855 CID (14.0L) 6 Cyl / 24 Valves; Turbocharged SOHC 60 Series			24 (cont.)
Engine Gaskets (cont.)				
Rear Main Seal	Double Lipped Seal, Contains Sleeve	23513578	67744	1
Miscellaneous Gaskets				
Fuel Injector Seal Kit		23537111	GS33633	6
Bearings				
Connecting Rod Bearing		23526141	CB-1902P	6
		23533565	CB-1902P-.25MM	
		23533566	CB-1902P-.50MM	
Main Bearing Set	With Machined Notches In Bearing Caps, Requires Thrust Washer Set, Thrust Washer Set Not Included, Contains OE# Lower 23533252(7) And Upper 23533259(7)	See Note	MS-2310P	1
		See Note	MS-2310P-10	
		See Note	MS-2310P-20	
	Without Machined Notches In Bearing Caps, Requires Thrust Washer Set, Thrust Washer Set Not Included, Contains OE# 23533252(6), 23532926, 23533259(6) And 23533263	See Note	MS-2313P•	1
		See Note	MS-2313P-10	
See Note	MS-2313P-20			
Thrust Washer Set	With Machined Notches In Bearing Caps, Contains 4 Piece Thrust Washer Set	23533688	TW-696S	1
	Without Machined Notches In Bearing Caps, Contains 4 Piece Thrust Washer Set	8929085	TW-700S	1
Camshaft Bearing		8929690	SH-1986	7
Crankshaft				
Crankshaft		23527225	247-5224	1

25	5.7500" 1788 CID (29.3L) 12 Cyl; Turbocharged Engine Code: '12V-149'			25
Bearings				
Connecting Rod Bearing		5198547	CB-1180P	12
Crankshaft				
Crankshaft		23502366	247-5044	2
	.010" Undersize	Exclusive	247-5073	2
	.010" Undersize, Remanufactured	Exclusive	247-5121•	2

26	5.7500" 2384 CID (39.1L) 16 Cyl; Supercharged Engine Code: '16V-149'			26
Engine Gaskets				
Engine Valve Stem Seal Set		23523930	B45895	32
Engine Oil Pan Gasket Set	For Engine With Stamped Steel Oil Pan	5117231	OS31790	1
Miscellaneous Gaskets				
Engine Coolant Thermostat Seal	Packaged in Quantities of 20	5132155	GS27706	20
Bearings				
Connecting Rod Bearing		5198547	CB-1180P	16
Crankshaft				
Crankshaft		23502367	247-5043	1

DETROIT DIESEL CYLINDER SLEEVE ASSEMBLY COMPONENT INTERCHANGES

MAHLE

Bore	Part No.	OE Interchange Number	Qty
3.875 226-1477			
Cylinder Sleeve:	226-4415	5132803	1
Sleeve O-Ring Kit:	223-7140	5121256	1
Piston:	224-2486	5198877	1
Ring Set:	S41154	5149942	1
3.875 226-1478			
Cylinder Sleeve:	226-4415	5132803	1
Sleeve O-Ring Kit:	223-7140	5121256	1
Piston:	224-3282	5195931	1
Ring Set:	S41154	5149942	1
4.250 226-1633			
Cylinder Sleeve:	226-4466	23502020	1
Piston:	224-2485	5149234	1
Ring Set:	S40653	23514970	1
4.250 226-1945			
Cylinder Sleeve:	226-4466	23502020	1
Piston:	224-2360	23522495	1
Ring Set:	S41900	23522955	1
4.250 226-1946			
Cylinder Sleeve:	226-4466	23502020	1
Piston:	224-2260	23522497	1
Ring Set:	S41900	23522955	1
4.300 226-1962			
Cylinder Sleeve:	226-4567	1815674C1	1
Sleeve O-Ring Kit:	223-7211	1822322	1
Piston:	224-3350	1823313C1	1
Ring Set:	S41781	1817247C91	1
4.840 226-1738			
Cylinder Sleeve:	226-4470	5107176	1
Sleeve O-Ring Kit:	223-7186	8927189	1
Piston:	224-2272	5149963	1
Ring Set:	S41410	23524349	1
4.840 226-1739			
Cylinder Sleeve:	226-4467	5148505	1
Sleeve O-Ring Kit:	223-7186	8927189	1
Piston:	224-2272	5149963	1
Ring Set:	S41410	23524349	1

Bore	Part No.	OE Interchange Number	Qty
5.118 226-1937			
Cylinder Sleeve:	226-4573	23531502	1
Sleeve O-Ring Kit:	223-7207	8929013 8929176	1
Piston Skirt:	224-3305	23516681	1
Piston Pin:	223-1845	8929087	1
Ring Set:	S41891	23503747	1
5.118 226-1938			
Cylinder Sleeve:	226-4558	23532468	1
Sleeve O-Ring Kit:	223-7207	8929013 8929176	1
Piston Skirt:	224-3305	23516681	1
Piston Pin:	223-1845	8929087	1
Ring Set:	S41891	23503747	1
5.118 226-1940			
Cylinder Sleeve:	226-4573	23531502	1
Sleeve O-Ring Kit:	223-7207	8929013 8929176	1
Piston Skirt:	224-3305	23516681	1
Piston Pin:	223-1845	8929087	1
Ring Set:	S41892	23505729	1
5.118 226-1941			
Cylinder Sleeve:	226-4558	23532468	1
Sleeve O-Ring Kit:	223-7207	8929013 8929176	1
Piston Skirt:	224-3305	23516681	1
Piston Pin:	223-1845	8929087	1
Ring Set:	S41892	23505729	1
5.118 226-1990			
Cylinder Sleeve:	226-4573	23531502	1
Sleeve O-Ring Kit:	223-7207	8929013 8929176	1
Piston:	224-3627	23530666	1
Piston Pin:	223-1851	23525168	1
Lock Ring:	223-5511	23521781	1
Ring Set:	S41891	23503747	1
5.118 226-1991			
Cylinder Sleeve:	226-4573	23531502	1
Sleeve O-Ring Kit:	223-7207	8929013 8929176	1
Piston:	224-3628	23532882	1
Piston Pin:	223-1850	23521649	1
Lock Ring:	223-5511	23521781	1
Ring Set:	S41891	23503747	1

VICTOR REINZ
Sealing Products

LEVITE

MAHLE
ORIGINAL

DETROIT DIESEL CYLINDER SLEEVE ASSEMBLY COMPONENT INTERCHANGES

MAHLE

Bore	Part No.	OE Interchange Number	Qty
5.118	226-1992		
Cylinder Sleeve:	226-4573	23531502	1
Sleeve O-Ring Kit:	223-7207	8929013 8929176	1
Piston:	224-3629	23530668	1
Piston Pin:	223-1851	23525168	1
Lock Ring:	223-5511	23521781	1
Ring Set:	S41891	23503747	1

Bore	Part No.	OE Interchange Number	Qty
5.118	226-1993		
Cylinder Sleeve:	226-4573	23531502	1
Sleeve O-Ring Kit:	223-7207	8929013 8929176	1
Piston:	224-3630	23532884	1
Piston Pin:	223-1850	23521649	1
Lock Ring:	223-5511	23521781	1
Ring Set:	S41891	23503747	1

Bore	Part No.	OE Interchange Number	Qty
5.240	226-2043		
Cylinder Sleeve:	226-4583	23531250	1
Sleeve O-Ring Kit:	223-7207	8929013 8929176	1
Piston:	224-3738	23530660	1
Piston Pin:	223-1933	23539049	1
Lock Ring:	223-5511	23521781	1
Ring Set:	S42133	23531252	1

Bore	Part No.	OE Interchange Number	Qty
5.240	226-2044		
Cylinder Sleeve:	226-4583	23531250	1
Sleeve O-Ring Kit:	223-7207	8929013 8929176	1
Piston:	224-3739	23530662	1
Piston Pin:	223-1933	23539049	1
Lock Ring:	223-5511	23521781	1
Ring Set:	S42133	23531252	1

Bore	Part No.	OE Interchange Number	Qty
5.240	226-2045		
Cylinder Sleeve:	226-4583	23531250	1
Sleeve O-Ring Kit:	223-7207	8929013 8929176	1
Piston:	224-3740	23530664	1
Piston Pin:	223-1933	23539049	1
Lock Ring:	223-5511	23521781	1
Ring Set:	S42133	23531252	1

Bore	Part No.	OE Interchange Number	Qty
5.240	226-2046		
Cylinder Sleeve:	226-4583	23531250	1
Sleeve O-Ring Kit:	223-7207	8929013 8929176	1
Piston:	224-3741	23533453	1
Piston Pin:	223-1933	23539049	1
Lock Ring:	223-5511	23521781	1
Ring Set:	S42132	23533510	1

Bore	Part No.	OE Interchange Number	Qty
107.950	226-1220		
Cylinder Sleeve:	226-4220	23504931	1
Piston:	224-2469	5189054	1
Ring Set:	SC80061	5193477	1

MAHLE
ORIGINAL



VICTOR REINZ
Sealing Products

Model	Series	No. Cyls.	CID	Liter	Bore / Stroke	Line No.
6D105		6	396	6.5	4.1 / 4.9	1
S6D105		6	396	6.5	4.1 / 4.7	1
SAA6D114		6	505	8.3	4.5 / 5.3	2
S6D125		6	674	11	4.9 / 5.9	3
6D125		6	674	11	4.9 / 5.9	3

LINE #	NOTES	PART DESCRIPTION	OVERHAUL	QTY	IN-FRAME	QTY
1	4.1338" 396 CID (6.5L) 6 Cyl Engine Codes: '6D105, S6D105'					1
1.1	6D105-1M-P, 1F, 1P Engine S/N 50001-Up Contains OE# 6136-32-2110 Piston, 6137-22-2210 Liner And 6136-31-2030 Ring Set OE Rod Bearing Number(s) 6138-31-3040 OE Main Bearing Number(s) 6136-21-8010	Kit Number	430-1000	430-5000		
		Cylinder Sleeve Assembly	226-1980	6	226-1980	6
		Connecting Rod Bearing	CB-1906P	6	CB-1906P	6
		Undersizes	P-25MM-50MM-75MM		P-25MM-50MM-75MM	
		Main Bearing Set	MS-2291P	1	MS-2291P	1
		Undersizes	P-25MM-50MM-75MM		P-25MM-50MM-75MM	
		Engine Cylinder Head Gasket Set	HS54638	1	HS54638	1
		Engine Conversion Gasket Set / Engine Oil Pan Gasket Set	CS54638	1	OS32321	1
		Thrust Washer Set	TW-688S	1	TW-688S	1
	Engine Timing Cover Seal	67813	1			
1.2	6D105-1M-P, 1F, 1P Contains OE# 6136-31-2112 Piston, 6137-22-2210 Liner And 6136-31-2030 Ring Set OE Rod Bearing Number(s) 6138-31-3040 OE Main Bearing Number(s) 6136-21-8010	Kit Number	430-1001	430-5001		
		Cylinder Sleeve Assembly	226-1983	6	226-1983	6
		Connecting Rod Bearing	CB-1906P	6	CB-1906P	6
		Undersizes	P-25MM-50MM-75MM		P-25MM-50MM-75MM	
		Main Bearing Set	MS-2291P	1	MS-2291P	1
		Undersizes	P-25MM-50MM-75MM		P-25MM-50MM-75MM	
		Engine Cylinder Head Gasket Set	HS54638	1	HS54638	1
		Engine Conversion Gasket Set / Engine Oil Pan Gasket Set	CS54638	1	OS32321	1
		Thrust Washer Set	TW-688S	1	TW-688S	1
	Engine Timing Cover Seal	67813	1			
1.3	S6D105-1G, 1F Engine S/N 50001-Up Contains OE# 6137-32-2110 Piston, 6137-22-2210 Liner And 6137-31-2032 Ring Set OE Rod Bearing Number(s) 6138-31-3040 OE Main Bearing Number(s) 6136-21-8010	Kit Number	430-1002	430-5002		
		Cylinder Sleeve Assembly	226-1984	6	226-1984	6
		Connecting Rod Bearing	CB-1906P	6	CB-1906P	6
		Undersizes	P-25MM-50MM-75MM		P-25MM-50MM-75MM	
		Main Bearing Set	MS-2291P	1	MS-2291P	1
		Undersizes	P-25MM-50MM-75MM		P-25MM-50MM-75MM	
		Engine Cylinder Head Gasket Set	HS54638A	1	HS54638A	1
		Engine Conversion Gasket Set / Engine Oil Pan Gasket Set	CS54638A	1	OS32321	1
		Thrust Washer Set	TW-688S	1	TW-688S	1
	Engine Timing Cover Seal	67813	1			

LINE #	NOTES	PART DESCRIPTION	OVERHAUL	QTY	IN-FRAME	QTY
1 (cont.)	4.1338" 396 CID (6.5L) 6 Cyl Engine Codes: '6D105, S6D105'					1 (cont.)
1.4	S6D105-1B, 1Z, B-1A Contains OE# 6137-32-2110 Piston, 6137-22-2210 Liner, 6137-31-2040 Ring Set OE Rod Bearing Number(s) 6138-31-3040 OE Main Bearing Number(s) 6136-21-8010	Kit Number	430-1003		430-5003	
		Cylinder Sleeve Assembly	226-1985	6	226-1985	6
		Connecting Rod Bearing	CB-1906P	6	CB-1906P	6
		Undersizes	P-25MM-50MM-75MM		P-25MM-50MM-75MM	
		Main Bearing Set	MS-2291P	1	MS-2291P	1
		Undersizes	P-25MM-50MM-75MM		P-25MM-50MM-75MM	
		Engine Cylinder Head Gasket Set	HS54638A	1	HS54638A	1
		Engine Conversion Gasket Set / Engine Oil Pan Gasket Set	CS54638A	1	OS32321	1
		Thrust Washer Set	TW-688S	1	TW-688S	1
		Engine Timing Cover Seal	67813	1		
2	4.4900" 505 CID (8.3L) 6 Cyl Engine Code: 'SAA6D114'					2
2.1	3MM Short Liner Contains OE# 1304-90-2H91 Piston, 6742-01-5159 Liner And 1241-74-8H92 Ring Set OE Rod Bearing Number(s) 6742-01-2750 OE Main Bearing Number(s) 6742-01-5199	Kit Number	430-1006		430-5006	
		Cylinder Sleeve Assembly	226-2035	6	226-2035	6
		Connecting Rod Bearing	CB-1409P	6	CB-1409P	6
		Undersizes	P-100MM-25MM-50MM-75MM		P-100MM-25MM-50MM-75MM	
		Main Bearing Set	MS-1740P	1	MS-1740P	1
		Undersizes	P-25MM-50MM		P-25MM-50MM	
		Engine Cylinder Head Gasket Set	HS54126	1	HS54126	1
		Engine Conversion Gasket Set / Engine Oil Pan Gasket Set	CS54126-1	1	OS32205	1
3	4.9210" 674 CID (11.0L) 6 Cyl Engine Codes: '6D125, S6D125'					3
3.1	Contains OE# 6150-31-2112 Piston, 6151-22-2220 Liner And 6150-31-2033 Ring Set OE Rod Bearing Number(s) 6151-31-3040 OE Main Bearing Number(s) 6150-21-8010	Kit Number	430-1004		430-5004	
		Cylinder Sleeve Assembly	226-1986	6	226-1986	6
		Connecting Rod Bearing	CB-1773P	6	CB-1773P	6
		Undersizes	P-25MM-50MM-75MM		P-25MM-50MM-75MM	
		Main Bearing Set	MS-2197P	1	MS-2197P	1
		Undersizes	P-25MM-50MM-75MM		P-25MM-50MM-75MM	
		Engine Cylinder Head Gasket Set	HS54626A	1	HS54626A	1
		Engine Conversion Gasket Set / Engine Oil Pan Gasket Set	CS54626A	1	OS32292	1
		Thrust Washer Set	TW-602S	1	TW-602S	1

LINE #	NOTES	PART DESCRIPTION	OVERHAUL	QTY	IN-FRAME	QTY
3 (cont.)	4.9210" 674 CID (11.0L) 6 Cyl Engine Codes: '6D125, S6D125'					3 (cont.)
3.2	S6D125-1S Contains OE# 6151-31-2171 Piston, 6151-22-2220 Liner And 6150-31-2033 Ring Set OE Rod Bearing Number(s) 6151-31-3040 OE Main Bearing Number(s) 6150-21-8010	Kit Number	430-1005		430-5005	
		Cylinder Sleeve Assembly	226-1987	6	226-1987	6
		Connecting Rod Bearing	CB-1773P	6	CB-1773P	6
		Undersizes	P-25MM-50MM-75MM		P-25MM-50MM-75MM	
		Main Bearing Set	MS-2197P	1	MS-2197P	1
		Undersizes	P-25MM-50MM-75MM		P-25MM-50MM-75MM	
		Engine Cylinder Head Gasket Set	HS54626	1	HS54626	1
		Engine Conversion Gasket Set / Engine Oil Pan Gasket Set	CS54626	1	OS32292	1
		Thrust Washer Set	TW-602S	1	TW-602S	1
		Rear Main Seal	67794	1		

Model	Series	No. Cyls.	CID	Liter	Bore / Stroke	Line No.
4D95		4	199	3.3	3.7 / 4.5	1
S4D95		4	199	3.3	3.7 / 4.5	1
S4D105		4	242	4	4.1 / 4.5	3
4D105		4	242	4	4.1 / 4.5	3
S6D95L		6	299	4.9	3.7 / 4.5	2
6D95		6	299	4.9	3.7 / 2.3	2
S6D95		6	299	4.9	3.7 / 4.5	2
SA6D95		6	299	4.9	3.7 / 4.5	2
S6D105		6	396	6.5	4.1 / 4.7	4
6D105		6	396	6.5	4.1 / 4.9	4
6D110		6	435	7.1	4.3 / 4.9	5
SA6D114		6	505	8.3	4.5 / 5.3	6
SAA6D114		6	505	8.3	4.5 / 5.3	6
6D125		6	674	11	4.9 / 5.9	7
S6D125		6	674	11	4.9 / 5.9	7
S6D140		6	930	15.2	5.5 / 6.5	8

PART	NOTES	OE INTERCHANGE NUMBER	PART NUMBER	PER ENGINE QTY
1	3.7400" 199 CID (3.3L) 4 Cyl Engine Codes: '4D95, S4D95'			1

Cylinder Components

Cylinder Sleeve Assembly	Naturally Aspirated Engines	see at page 376	226-2021•	4
	Turbocharged Engines	see at page 376	226-2022•	4
Cylinder Sleeve (Dry)		6207-21-2121	226-4571•	4
Piston	Naturally Aspirated Engines	6204-31-2121	224-3389•	4
	Turbocharged Engines	6207-31-2141	224-3390•	4
Ring Set	Naturally Aspirated Engines	6204-31-2203	S42064•	4
	Turbocharged Engines	6207-31-2501	S42065•	4

Bearings

Connecting Rod Bearing	Upper Bearing With Oil Hole - No Groove	6207-31-3300	CB-1903P	4
		6207-39-3300	CB-1903P-.25MM	
		6207-38-3300	CB-1903P-.50MM	
		6207-37-3300	CB-1903P-.75MM	
	Upper Bearing With Oil Hole And Groove, Turbocharged Engines	6207-31-3600	CB-1904P•	4
		6207-39-3600	CB-1904P-.25MM	
6207-38-3600		CB-1904P-.50MM		
6207-37-3600		CB-1904P-.75MM		
Main Bearing Set	BiMetal Aluminum	6204-21-8100	MS-2287P	1
		6204-29-8100	MS-2287P-.25MM	
		Exclusive	MS-2287P-.50MM	
		6204-27-8100	MS-2287P-.75MM	
Thrust Washer Set	Contains 3 Pieces	6204-21-8500	TW-687S•	1
Camshaft Bearing Set	Contains OE# 6206-21-1420(2) And 6206-21-1430	See Note	SH-2128S•	1
Piston Pin Bushing	With Oil Hole, Naturally Aspirated Engines	6204-31-3130	223-3680•	4
	With Oil Hole and Groove, Turbocharged Engines	6207-31-3130	223-3681•	4
	With 2 Oil Holes And Groove, Turbocharged Engines	6207-31-3530	223-3682•	4

2	3.7400" 299 CID (4.9L) 6 Cyl Engine Codes: '6D95, S6D95, S6D95L, SA6D95'			2
----------	--	--	--	----------

Cylinder Components

Cylinder Sleeve Assembly	Naturally Aspirated Engines	see at page 376	226-2021•	6
	Turbocharged Engines	see at page 376	226-2022•	6
	Turbocharged and Aftercooled Engines	see at page 376	226-2023•	6
Cylinder Sleeve (Dry)		6207-21-2121	226-4571•	6
Piston	Naturally Aspirated Engines	6204-31-2121	224-3389•	6
	Turbocharged Engines	6207-31-2141	224-3390•	6
	Turbocharged and Aftercooled Engines	6209-31-2141	224-3391•	6
Ring Set	Naturally Aspirated Engines	6204-31-2203	S42064•	6
	Turbocharged Engines	6207-31-2501	S42065•	6

PART	NOTES	OE INTERCHANGE NUMBER	PART NUMBER	PER ENGINE QTY
2 (cont.)	3.7400" 299 CID (4.9L) 6 Cyl Engine Codes: '6D95, S6D95, S6D95L, SA6D95'			2 (cont.)

Bearings

Connecting Rod Bearing	Upper Bearing With Oil Hole - No Groove	6207-31-3300	CB-1903P	6
		6207-39-3300	CB-1903P-.25MM	
		6207-38-3300	CB-1903P-.50MM	
		6207-37-3300	CB-1903P-.75MM	
	Upper Bearing With Oil Hole And Groove, Turbocharged Engines	6207-31-3600	CB-1904P•	6
		6207-39-3600	CB-1904P-.25MM	
		6207-38-3600	CB-1904P-.50MM	
		6207-37-3600	CB-1904P-.75MM	
Main Bearing Set		6204-21-8100	MS-2288P	1
		6204-29-8100	MS-2288P-.25MM	
		6204-28-8100	MS-2288P-.50MM	
		6204-27-8100	MS-2288P-.75MM	
Thrust Washer Set	Contains 3 Pieces	6204-21-8500	TW-687S•	1
Camshaft Bearing Set	Contains OE# 6206-21-1420(3) And 6206-21-1430	See Note	SH-2129S•	1
Piston Pin Bushing	With Oil Hole, Naturally Aspirated Engines	6204-31-3130	223-3680•	6
	With Oil Hole and Groove, Turbocharged Engines	6207-31-3130	223-3681•	6
	With 2 Oil Holes And Groove, Turbocharged Engines	6207-31-3530	223-3682•	6

Crankshaft

Crankshaft		6207-31-1100	247-5175	1
-------------------	--	--------------	-----------------	---

3	4.1338" 242 CID (4.0L) 4 Cyl Engine Codes: '4D105, S4D105'			3
----------	--	--	--	----------

Cylinder Components

Cylinder Sleeve Assembly	Naturally Aspirated Engines	see at page 376	226-1979	4
	Naturally Aspirated Engines	see at page 376	226-1980	4
	Naturally Aspirated Engines	see at page 376	226-1981	4
	Turbocharged Engines	see at page 376	226-1982	4
	Turbocharged Engines	see at page 376	226-1984	4
	Turbocharged Engines	see at page 376	226-1985	4
Cylinder Sleeve	O-Rings In Block	6130-22-2310	226-4568•	4
	O-Rings On Liner	6137-22-2210	226-4572•	4
Piston	Naturally Aspirated Engines	6130-32-2110	224-3379•	4
	Turbocharged Engines	6131-32-2120	224-3380•	4
	Naturally Aspirated Engines	6136-32-2110	224-3382•	4
	Naturally Aspirated Engines	6136-32-2120	224-3383•	4
	Turbocharged Engines	6137-32-2110	224-3384•	4
Ring Set	Naturally Aspirated Engines	6130-32-2302	S42057	4
	Turbocharged Engines	6131-32-2302	S42058	4
	Naturally Aspirated Engines	6136-31-2030	S42059	4
	Turbocharged Engines, Rectangular Top Ring	6137-31-2032	S42060	4
	Turbocharged Engines, Keystone Top Compression Ring	6137-31-2040	S42061	4

PART	NOTES	OE INTERCHANGE NUMBER	PART NUMBER	PER ENGINE QTY
3 (cont.)	4.1338" 242 CID (4.0L) 4 Cyl Engine Codes: '4D105, S4D105'			3 (cont.)
Cylinder Components (cont.)				
Sleeve O-Ring Kit	Without Crevice Seal	6136-21-2220	223-7206•	4
		6136-21-2230 6136-21-2240		
		6130-21-2220 6130-21-2230	223-7212	4
Engine Gaskets				
Engine Cylinder Head Gasket Set	Naturally Aspirated Engines	6134-K1-9901	HS54650•	1
		6131-K1-9901	HS54778	1
Engine Cylinder Head Gasket		6135-12-1811	54650•	1
		6131-11-1812	54778•	1
Engine Valve Cover Gasket Set		6134-11-8810	VS50478•	1
		6130-11-7821	VS50572	1
Engine Valve Stem Seal Set		6130-41-4541	B45985•	4
Engine Intake Manifold Gasket Set		6136-11-4850	MS19496•	1
Exhaust Manifold Gasket Set		6135-11-5810	MS19486•	1
Engine Timing Cover Seal		6136-22-3510	67813•	1
Rear Main Seal		6130-21-4231	67814	1
		6130-22-4231	67816	1
Bearings				
Connecting Rod Bearing	Upper Bearing With Oil Hole And Groove	6138-31-3040	CB-1906P•	4
		6138-39-3050	CB-1906P-.25MM	
		6138-38-3050	CB-1906P-.50MM	
		6138-37-3050	CB-1906P-.75MM	
		6130-31-3041	CB-1907P•	4
		6130-39-3041	CB-1907P-.25MM	
		6130-38-3041	CB-1907P-.50MM	
		6130-37-3041	CB-1907P-.75MM	
Main Bearing Set		6136-21-8010	MS-2289P•	1
		6136-29-8010	MS-2289P-.25MM	
		6136-28-8010	MS-2289P-.50MM	
		6136-27-8010	MS-2289P-.75MM	
		6130-21-8011 6130-21-8021	MS-2290P	1
		6130-29-8101	MS-2290P-.25MM	
		6130-28-8101	MS-2290P-.50MM	
		6130-27-8101	MS-2290P-.75MM	
Thrust Washer Set	Contains 3 Pieces	6134-21-8050	TW-688S•	1
		6130-21-8500	TW-689S•	1
Camshaft Bearing Set	Contains OE# 6136-21-1410(3)	See Note	SH-2135S•	1

PART	NOTES	OE INTERCHANGE NUMBER	PART NUMBER	PER ENGINE QTY
3 (cont.)	4.1338" 242 CID (4.0L) 4 Cyl Engine Codes: '4D105, S4D105'			3 (cont.)

Bearings (cont.)

Camshaft Bearing Set (cont.)		6130-21-1410 6130-21-1420 6130-21-1430	SH-2136S	1
Piston Pin Bushing	Straight Rod Bushing With Oil Hole	6136-31-3130	223-3690•	4
	Straight Rod Bushing With Oil Hole And Groove	6136-32-3130	223-3691•	4

4	4.1338" 396 CID (6.5L) 6 Cyl Engine Codes: '6D105, S6D105'			4
----------	--	--	--	----------

Cylinder Components

Cylinder Sleeve Assembly	Naturally Aspirated Engines	see at page 376	226-1980	6
	Naturally Aspirated Engines	see at page 376	226-1983	6
	Turbocharged Engines	see at page 376	226-1984	6
	Turbocharged Engines	see at page 376	226-1985	6
Cylinder Sleeve	O-Rings On Liner	6137-22-2210	226-4572•	6
Piston	Naturally Aspirated Engines	6136-31-2112	224-3381•	6
	Naturally Aspirated Engines	6136-32-2110	224-3382•	6
	Turbocharged Engines	6137-32-2110	224-3384•	6
Ring Set	Naturally Aspirated Engines	6136-31-2030	S42059	6
	Turbocharged Engines, Rectangular Top Ring	6137-31-2032	S42060	6
	Turbocharged Engines, Keystone Top Compression Ring	6137-31-2040	S42061	6
Sleeve O-Ring Kit	Without Crevice Seal	6136-21-2220 6136-21-2230 6136-21-2240	223-7206•	6

Engine Gaskets

Engine Cylinder Head Gasket Set	Naturally Aspirated Engines	6136-K1-9901	HS54638•	1
	Turbocharged Engines	6137-K1-9901	HS54638A•	1
Engine Conversion Gasket Set	1 Piece Oil Pan Gasket, Naturally Aspirated Engines	6136-K2-9901	CS54638•	1
	Does Not Include Crankshaft Seals, Turbocharged Engines	6137-K2-9901	CS54638A•	1
Engine Cylinder Head Gasket		6137-12-1811	54638•	1
Engine Intake Manifold Gasket Set		6136-11-4850	MS19496•	1
Exhaust Manifold Gasket Set		6135-11-5810	MS19485•	1
Engine Oil Pan Gasket Set	1 Piece Oil Pan Gasket	6136-21-5821	OS32321•	1
Engine Timing Cover Seal		6136-22-3510	67813•	1
Rear Main Seal		6130-21-4231	67814	1
		6130-22-4231	67816	1

PART	NOTES	OE INTERCHANGE NUMBER	PART NUMBER	PER ENGINE QTY
4 (cont.)	4.1338" 396 CID (6.5L) 6 Cyl Engine Codes: '6D105, S6D105'			4 (cont.)

Bearings

Connecting Rod Bearing	Upper Bearing With Oil Hole And Groove	6138-31-3040	CB-1906P•	6
		6138-39-3050	CB-1906P-.25MM	
		6138-38-3050	CB-1906P-.50MM	
		6138-37-3050	CB-1906P-.75MM	
Main Bearing Set		6136-21-8010	MS-2291P	1
		6136-29-8010	MS-2291P-.25MM	
		6136-28-8010	MS-2291P-.50MM	
		6136-27-8010	MS-2291P-.75MM	
Thrust Washer Set	Contains 3 Pieces	6134-21-8050	TW-688S•	1
Camshaft Bearing Set		6136-21-1410	SH-2137S	1
Piston Pin Bushing	Straight Rod Bushing With Oil Hole	6136-31-3130	223-3690•	6
	Straight Rod Bushing With Oil Hole And Groove	6136-32-3130	223-3691•	6

Crankshaft

Crankshaft	6 Bolt	6136-31-1010	247-5173	1
-------------------	--------	--------------	-----------------	---

5	4.3300" 435 CID (7.1L) 6 Cyl; Naturally Aspirated Engine Code: '6D110'			5
----------	--	--	--	----------

Cylinder Components

Cylinder Sleeve Assembly		see at page 376	226-2031	6
		see at page 376	226-2032•	6
Cylinder Sleeve (Dry)		6138-21-2220	226-4569•	6
Piston		6138-32-2120	224-3385•	6
		6138-32-2320	224-3386•	6
Ring Set		6138-32-2200	S42062	6

Engine Gaskets

Engine Timing Cover Seal		6136-22-3510	67813•	1
Rear Main Seal		6130-21-4231	67814	1
		6130-22-4231	67816	1

Bearings

Connecting Rod Bearing	Upper Bearing With Oil Hole And Groove	6138-31-3040	CB-1906P•	6
		6138-39-3050	CB-1906P-.25MM	
		6138-38-3050	CB-1906P-.50MM	
		6138-37-3050	CB-1906P-.75MM	
Main Bearing Set		6136-21-8010	MS-2291P	1
		6136-29-8010	MS-2291P-.25MM	
		6136-28-8010	MS-2291P-.50MM	
		6136-27-8010	MS-2291P-.75MM	
Thrust Washer Set	Contains 3 Pieces	6134-21-8050	TW-688S•	1
		6130-21-8500	TW-689S•	1
Camshaft Bearing Set		6136-21-1410	SH-2137S	1
Piston Pin Bushing	Tapered Rod	6138-31-3133	223-3692•	1

PART	NOTES	OE INTERCHANGE NUMBER	PART NUMBER	PER ENGINE QTY
5 (cont.)	4.3300" 435 CID (7.1L) 6 Cyl; Naturally Aspirated Engine Code: '6D110'			5 (cont.)
Crankshaft				
Crankshaft	8 Bolt	6138-31-1010	247-5174	1
6	4.4900" 505 CID (8.3L) 6 Cyl Engine Codes: 'SA6D114, SAA6D114'			6
Cylinder Components				
Cylinder Sleeve Assembly	Thin Wall Sleeves, Pilot 5.151"/5.153"	see at page 295	226-1917	6
		see at page 295	226-1947	6
		see at page 295	226-1950	6
Cylinder Sleeve	For Thin Wall Blocks, Pilot 5.2296"/5.2316"	1241-17-5H92	226-4496	6
	Thin Wall Sleeves, Pilot 5.151"/5.153"	6742-01-1500	226-4547	6
Piston	.837" Bowl	1304-90-2H91	224-3293	6
		1295-69-3H91	224-3326	6
Rebore Kit		3802657	225-3293	6
Ring Set	Keystone Top Compression Ring	1241-74-8H92	S41677	6
Sleeve O-Ring Kit		6742-01-1520	223-7201	6
Engine Gaskets				
Engine Cylinder Head Gasket Set		6742-01-4280	HS54126	1
Engine Conversion Gasket Set		6742-01-5140	CS54126-1	1
Engine Cylinder Head Gasket		6742-01-5582	54126	1
Engine Valve Cover Gasket Set	Contains Grommets	6742-01-0710	VS50577	1
Engine Intake Manifold Gasket Set		6741-11-4510	MS19374	2
Exhaust Manifold Gasket Set		6742-01-4010	MS19719	1
Engine Oil Pan Gasket Set		6742-01-5308	OS32205	1
Engine Timing Cover Seal		6742-02-1110	67639	1
Rear Main Seal	May Require The Use Of Installation Tool GS33491	6735-K2-3001	48384	1
Miscellaneous Gaskets				
Repair Sleeve Tool	For Use On Rear Gear Train Engines	3909409	GS33491	1
Bearings				
Connecting Rod Bearing		6742-01-2750	CB-1409P	6
		6742-01-2810	CB-1409P-.25MM	
		6742-01-2820	CB-1409P-.50MM	
		6742-01-2830	CB-1409P-.75MM	
Main Bearing Set		6742-01-5199	MS-1740P	1
		6742-01-5233	MS-1740P-.25MM	
		6742-01-5240	MS-1740P-.50MM	
Camshaft Bearing		6742-01-5160	SH-2183•	7
Piston Pin Bushing	Requires Boring	6742-01-2740	223-3642	6

PART	NOTES	OE INTERCHANGE NUMBER	PART NUMBER	PER ENGINE QTY
6 (cont.)	4.4900" 505 CID (8.3L) 6 Cyl Engine Codes: 'SA6D114, SAA6D114'			6 (cont.)
Valve Train & Ancillary				
Valve (Intake)		6742-01-0150	211-3203	6
Valve (Exhaust)	2 Valve Cylinder Head	6742-01-3000	211-3204	6
Valve Guide	Intake And Exhaust, 2 Valve Cylinder Head, OE# 3925863	See Note	217-4118	12
Valve Spring	Intake, Blue Stripe	6742-01-3020	212-1797	12
Valve Seat Insert	Intake, 2 Valve Cylinder Head, Standard, OE# 3924582	See Note	218-3796	6
Crankshaft				
Crankshaft		6742-01-1570	247-5096	1
7	4.9210" 674 CID (11.0L) 6 Cyl Engine Codes: '6D125, S6D125'			7
Cylinder Components				
Cylinder Sleeve Assembly	Naturally Aspirated Engines	see at page 376	226-1986	6
	Turbocharged Engines	see at page 377	226-1987	6
Cylinder Sleeve		6151-22-2220	226-4570•	6
Piston	Naturally Aspirated Engines	6150-31-2112	224-3387•	6
	Turbocharged Engines	6151-31-2171	224-3388•	6
Ring Set		6150-31-2033	S42063	6
Sleeve O-Ring Kit		6150-21-2250	223-7204	6
Engine Gaskets				
Engine Cylinder Head Gasket Set	Turbocharged Engines	6151-K1-9901	HS54626•	1
	Naturally Aspirated Engines	6150-K1-9901	HS54626A•	1
	Turbocharged and Aftercooled Engines	6155-K1-9900	HS54631•	1
Engine Conversion Gasket Set	Turbocharged Engines	6151-K2-9901	CS54626•	1
	Naturally Aspirated Engines	6150-K2-9901	CS54626A•	1
	Turbocharged and Aftercooled Engines	6155-K2-9900	CS54631•	1
Engine Cylinder Head Gasket		6150-17-1813	54626•	1
	Turbocharged and Aftercooled Engines	6150-12-1810	54631•	1
Engine Valve Stem Seal Set	Exhaust, For Engine SA6D125-1Q, Engine S/N 28389-Up	6140-41-4540	B45979	12
	Intake And Exhaust, For Engine S6D125E-2, Engine S/N 60863-Up	6150-41-4570	B45980•	24
Engine Intake Manifold Gasket Set		6150-13-4810	MS19445•	1
Exhaust Manifold Gasket Set		6150-11-5810	MS19444•	1
Engine Oil Pan Gasket Set	1 Piece Oil Pan Gasket	6150-21-5812	OS32292•	1
Engine Timing Cover Seal		6150-21-3230	67793•	1
Rear Main Seal		6151-21-4161	67794	1

PART	NOTES	OE INTERCHANGE NUMBER	PART NUMBER	PER ENGINE QTY
7 (cont.)	4.9210" 674 CID (11.0L) 6 Cyl Engine Codes: '6D125, S6D125'			7 (cont.)

Bearings

Connecting Rod Bearing		6151-31-3040	CB-1773P	6
		6150-39-3040 6151-39-3040	CB-1773P-.25MM	
		6150-38-3040 6151-38-3040	CB-1773P-.50MM	
		6150-37-3040 6151-37-3040	CB-1773P-.75MM	
Main Bearing Set		6150-21-8010	MS-2197P	1
		6150-29-8010	MS-2197P-.25MM	
		6150-28-8010	MS-2197P-.50MM	
		6150-27-8010	MS-2197P-.75MM	
Thrust Washer Set		6150-21-8050	TW-602S	1
Camshaft Bearing Set		6150-21-1490	SH-2130S•	1
Piston Pin Bushing	With 2 Oil Holes And Groove	6150-31-3130	223-3688•	6
	With Oil Hole and Groove, Tapered Bushing, Turbocharged Engines	6151-31-3230	223-3689•	6

Crankshaft

Crankshaft		6151-35-1010	247-5176	1
-------------------	--	--------------	-----------------	---

8	5.5120" 930 CID (15.2L) 6 Cyl; Turbocharged Engine Code: 'S6D140'			8
----------	---	--	--	----------

Crankshaft

Crankshaft		6211-31-1010	247-5226•	1
-------------------	--	--------------	------------------	---

KOMATSU CYLINDER SLEEVE ASSEMBLY COMPONENT INTERCHANGES

MAHLE

Bore	Part No.	OE Interchange Number	Qty
3.740	226-2021		
Cylinder Sleeve (Dry):	226-4571	6207-21-2121	1
Piston:	224-3389	6204-31-2121	1
Ring Set:	S42064	6204-31-2203	1
3.740	226-2022		
Cylinder Sleeve (Dry):	226-4571	6207-21-2121	1
Piston:	224-3390	6207-31-2141	1
Ring Set:	S42065	6207-31-2501	1
3.740	226-2023		
Cylinder Sleeve (Dry):	226-4571	6207-21-2121	1
Piston:	224-3391	6209-31-2141	1
Ring Set:	S42065	6207-31-2501	1
4.134	226-1979		
Cylinder Sleeve:	226-4568	6130-22-2310	1
Sleeve O-Ring Kit:	223-7212	6130-21-2220 6130-21-2230	1
Piston:	224-3379	6130-32-2110	1
Ring Set:	S42057	6130-32-2302	1
4.134	226-1980		
Cylinder Sleeve:	226-4572	6137-22-2210	1
Sleeve O-Ring Kit:	223-7206	6136-21-2220 6136-21-2230 6136-21-2240	1
Piston:	224-3382	6136-32-2110	1
Ring Set:	S42059	6136-31-2030	1
4.134	226-1981		
Cylinder Sleeve:	226-4572	6137-22-2210	1
Sleeve O-Ring Kit:	223-7206	6136-21-2220 6136-21-2230 6136-21-2240	1
Piston:	224-3383	6136-32-2120	1
Ring Set:	S42059	6136-31-2030	1
4.134	226-1982		
Cylinder Sleeve:	226-4568	6130-22-2310	1
Sleeve O-Ring Kit:	223-7212	6130-21-2220 6130-21-2230	1
Piston:	224-3380	6131-32-2120	1
Ring Set:	S42058	6131-32-2302	1
4.134	226-1983		
Cylinder Sleeve:	226-4572	6137-22-2210	1
Sleeve O-Ring Kit:	223-7206	6136-21-2220 6136-21-2230 6136-21-2240	1
Piston:	224-3381	6136-31-2112	1
Ring Set:	S42059	6136-31-2030	1

Bore	Part No.	OE Interchange Number	Qty
4.134	226-1984		
Cylinder Sleeve:	226-4572	6137-22-2210	1
Sleeve O-Ring Kit:	223-7206	6136-21-2220 6136-21-2230 6136-21-2240	1
Piston:	224-3384	6137-32-2110	1
Ring Set:	S42060	6137-31-2032	1
4.134	226-1985		
Cylinder Sleeve:	226-4572	6137-22-2210	1
Sleeve O-Ring Kit:	223-7206	6136-21-2220 6136-21-2230 6136-21-2240	1
Piston:	224-3384	6137-32-2110	1
Ring Set:	S42061	6137-31-2040	1
4.330	226-2031		
Cylinder Sleeve (Dry):	226-4569	6138-21-2220	1
Piston:	224-3385	6138-32-2120	1
Ring Set:	S42062	6138-32-2200	1
4.330	226-2032		
Cylinder Sleeve (Dry):	226-4569	6138-21-2220	1
Piston:	224-3386	6138-32-2320	1
Ring Set:	S42062	6138-32-2200	1
4.490	226-1917		
Cylinder Sleeve:	226-4547	6742-01-1500	1
Sleeve O-Ring Kit:	223-7201	6742-01-1520	1
Piston:	224-3293	1304-90-2H91	1
Ring Set:	S41677	1241-74-8H92	1
4.490	226-1947		
Cylinder Sleeve:	226-4547	6742-01-1500	1
Sleeve O-Ring Kit:	223-7201	6742-01-1520	1
Piston:	224-3326	1295-69-3H91	1
Ring Set:	S41677	1241-74-8H92	1
4.490	226-1950		
Cylinder Sleeve:	226-4496	1241-17-5H92	1
Sleeve O-Ring Kit:	223-7201	6742-01-1520	1
Piston:	224-3326	1295-69-3H91	1
Ring Set:	S41677	1241-74-8H92	1
4.921	226-1986		
Cylinder Sleeve:	226-4570	6151-22-2220	1
Sleeve O-Ring Kit:	223-7204	6150-21-2250	1
Piston:	224-3387	6150-31-2112	1
Ring Set:	S42063	6150-31-2033	1

MAHLE
ORIGINAL

LEVITE

VICTOR REINZ
Sealing Products

KOMATSU CYLINDER SLEEVE ASSEMBLY COMPONENT INTERCHANGES

MAHLE

Bore	Part No.	OE Interchange Number	Qty
4.921	226-1987		
Cylinder Sleeve:	226-4570	6151-22-2220	1
Sleeve O-Ring Kit:	223-7204	6150-21-2250	1
Piston:	224-3388	6151-31-2171	1
Ring Set:	S42063	6150-31-2033	1

VICTOR REINZ
Sealing Products



MAHLE
ORIGINAL

Model	Series	No. Cyls.	CID	Liter	Bore / Stroke	Line No.
ENDM-605	E6	6	605	9.9	4.6 / 6	1
END-605	E6	6	605	9.9	4.6 / 6	1
ETAB-676B	E6	6	672	11	4.9 / 6	3
ETAB-673A	E6	6	672	11	4.9 / 6	3
ENDYF-673C	E6	6	672	11	4.9 / 6	3
ENDTB-676A	E6	6	672	11	4.9 / 6	3
ETSX-675	E6	6	672	11	4.9 / 0	3
ENDTB-673C	E6	6	672	11	4.9 / 6	3
ENDT-673C	E6	6	672	11	4.9 / 6	3
END-673P	E6	6	672	11	4.9 / 6	3
EC6-300	E6	6	672	11	4.9 / 6	3
END-673E	E6	6	672	11	4.9 / 6	3
ETAZB-673C	E6	6	672	11	4.9 / 6	3
ETB-673E	E6	6	672	11	4.9 / 6	3
ETAYB-676	E6	6	672	11	4.9 / 6	3
ETAZB-673A	E6	6	672	11	4.9 / 6	3
EM-250	E6	6	672	11	4.9 / 6	3
EC6-350	E6	6	672	11	4.9 / 6	3
EC6-300L	E6	6	672	11	4.9 / 6	3
EM6-225	E6	6	672	11	4.9 / 6	3
EM6-225L	E6	6	672	11	4.9 / 6	3
EM6-350	E6	6	672	11	4.9 / 0	3
EM6-250L	E6	6	672	11	4.9 / 6	3
EM6-275L	E6	6	672	11	4.9 / 6	3
EM6-300L	E6	6	672	11	4.9 / 6	3
EME6-300	E6	6	672	11	4.9 / 6	3
END-673	E6	6	672	11	4.9 / 6	3
END-673	E6	6	672	11	4.9 / 6	3
END-673E	E6	6	672	11	4.9 / 6	3
EE6-350	E6	6	672	11	4.9 / 6	3
END-673PR	E6	6	672	11	4.9 / 6	3
EE6-335	E6	6	672	11	4.9 / 6	3
END-676	E6	6	672	11	4.9 / 6	3
ETSZ-676A	E6	6	672	11	4.9 / 6	3
ETAY-673B	E6	6	672	11	4.9 / 6	3
ETAB-673	E6	6	672	11	4.9 / 6	3
ETAZB-673	E6	6	672	11	4.9 / 6	3
ETAZ-673B	E6	6	672	11	4.9 / 6	3
ETSZ-673A	E6	6	672	11	4.9 / 6	3
ETC-673C	E6	6	672	11	4.9 / 6	3
ETZ-673B	E6	6	672	11	4.9 / 6	3
ETZ-673A	E6	6	672	11	4.9 / 6	3
ETZB-673C	E6	6	672	11	4.9 / 6	3
ETZB-673	E6	6	672	11	4.9 / 6	3
EM6-350	E6	6	672	11	4.9 / 0	3
EC6-275	E6	6	672	11	4.9 / 6	3
EMC6-250L	E6	6	672	11	4.9 / 6	3
EM6-310	E6	6	672	11	4.9 / 6	3
ETAB-675	E6	6	672	11	4.9 / 6	3

Model	Series	No. Cyls.	CID	Liter	Bore / Stroke	Line No.
END-6673P	E6	6	672	11	4.9 / 6	3
EM6-237	E6	6	672	11	4.9 / 0	3
EC6-330	E6	6	672	11	4.9 / 6	3
EMC6-250	E6	6	672	11	4.9 / 6	3
EMC6-285	E6	6	672	11	4.9 / 6	3
EMC6-285R	E6	6	672	11	4.9 / 6	3
ETSX-676	E6	6	672	11	4.9 / 6	3
EN-672	E6	6	672	11	4.9 / 6	3
END-6732PB	E6	6	672	11	4.9 / 6	3
END-673PC	E6	6	672	11	4.9 / 6	3
END-673PD	E6	6	672	11	4.9 / 6	3
END-673T	E6	6	672	11	4.9 / 6	3
ETB-673	E6	6	672	11	4.9 / 6	3
ENDL-673E	E6	6	672	11	4.9 / 6	3
ENDL-673P	E6	6	672	11	4.9 / 0	3
ENDS-672	E6	6	672	11	4.9 / 6	3
ENDTBF-673C	E6	6	672	11	4.9 / 6	3
ENDT-676A	E6	6	672	11	4.9 / 6	3
ENDT-676	E6	6	672	11	4.9 / 6	3
ENDT-675	E6	6	672	11	4.9 / 6	3
ETSX-675	E6	6	672	11	4.9 / 0	3
ETAZ-673A	E6	6	672	11	4.9 / 6	3
ETAY-673A	E6	6	672	11	4.9 / 6	3
ET-673E	E6	6	672	11	4.9 / 6	3
ETXB-673D	E6	6	672	11	4.9 / 6	3
ETYB-675	E6	6	672	11	4.9 / 6	3
ETSX-677	E6	6	672	11	4.9 / 0	3
ETSX-675	E6	6	672	11	4.9 / 0	3
ENDTB-676B	E6	6	672	11	4.9 / 6	3
END-673CR	E6	6	672	11	4.9 / 0	3
END-673C	E6	6	672	11	4.9 / 6	3
END-673A	E6	6	672	11	4.9 / 6	3
END-673B	E6	6	672	11	4.9 / 6	3
ENDT-673A	E6	6	672	11	4.9 / 6	3
ENDT-673B	E6	6	672	11	4.9 / 6	3
END-673D	E6	6	672	11	4.9 / 6	3
ENDT-673	E6	6	672	11	4.9 / 6	3
ENDTB-675C	E6	6	672	11	4.9 / 6	3
E6-200	E6	6	672	11	4.9 / 6	3
ETZB-673E	E6	6	672	11	4.9 / 6	3
ETYB-673E	E6	6	672	11	4.9 / 6	3
E6-270	E6	6	672	11	4.9 / 6	3
E6-275	E6	6	672	11	4.9 / 6	3
E6-250	E6	6	672	11	4.9 / 6	3
E6-260	E6	6	672	11	4.9 / 6	3
ENDLT-673B	E6	6	672	11	4.9 / 6	3
ENDLT-673A	E6	6	672	11	4.9 / 6	3
ENDLT-673C	E6	6	672	11	4.9 / 6	3
END-675	E6	6	672	11	4.9 / 6	3



Model	Series	No. Cyls.	CID	Liter	Bore / Stroke	Line No.	Model	Series	No. Cyls.	CID	Liter	Bore / Stroke	Line No.
ENDLT-673	E6	6	672	11	4.9 / 6	3	ENDL711	E6	6	707	11.6	5 / 0	6
ENDTB-675	E6	6	672	11	4.9 / 6	3	ENF-707A	E6	6	707	11.6	5 / 6	6
ETAYB-673A	E6	6	672	11	4.9 / 6	3	ENF-707C	E6	6	707	11.6	5 / 0	6
ETSZ-677	E6	6	672	11	4.9 / 6	3	ENDT-711	E6	6	707	11.6	5 / 0	6
ETY-673	E6	6	672	11	4.9 / 6	3	ENDD-711	E6	6	707	11.6	5 / 6	6
ETZ-673	E6	6	672	11	4.9 / 6	3	END-711T	E6	6	707	11.6	5 / 0	6
ETZ-673E	E6	6	672	11	4.9 / 6	3	END-711B	E6	6	707	11.6	5 / 6	6
ETA-673	E6	6	672	11	4.9 / 6	3	ENDLT-711	E6	6	707	11.6	5 / 6	6
ETAY-676D	E6	6	672	11	4.9 / 6	3	ENDL-707	E6	6	707	11.6	5 / 6	6
ETAZ-673	E6	6	672	11	4.9 / 6	3	ENDDL-711	E6	6	707	11.6	5 / 6	6
ETSZ-676	E6	6	672	11	4.9 / 6	3	END-711C	E6	6	707	11.6	5 / 6	6
ETY-673E	E6	6	672	11	4.9 / 6	3	END-711A	E6	6	707	11.6	5 / 6	6
ETZ-675	E6	6	672	11	4.9 / 6	3	END-711	E6	6	707	11.6	5 / 6	6
ETZ-673C	E6	6	672	11	4.9 / 6	3	END-707	E6	6	707	11.6	5 / 6	6
EME6-285	E6	6	672	11	4.9 / 0	3	ENDL-711	E6	6	707	11.6	5 / 6	6
ETZ-677	E6	6	672	11	4.9 / 6	3	ENF-707F	E6	6	707	11.6	5 / 6	6
ETA-676	E6	6	672	11	4.9 / 6	3	EN-707		6	707	11.6	5 / 6	6
ETAY-676	E6	6	672	11	4.9 / 6	3	EN-707B		6	707	11.6	5 / 6	6
ETY-675	E6	6	672	11	4.9 / 6	3	EN-707A		6	707	11.6	5 / 6	6
ETSZB-677	E6	6	672	11	4.9 / 6	3	EN-707C		6	707	11.6	5 / 6	6
E6-350R	E6	6	672	11	4.9 / 6	3	E7-728	E7	6	728	11.9	4.9 / 6.5	2
E6-350	E6	6	672	11	4.9 / 6	3	EM7-350V	E7	6	728	11.9	4.9 / 0	4
E6-315R	E6	6	672	11	4.9 / 6	3	E7-330	E7	6	728	11.9	4.9 / 0	2
E6-315	E6	6	672	11	4.9 / 6	3	E7-355	E7	6	728	11.9	4.9 / 0	2
EM6-237	E6	6	672	11	4.9 / 0	3	E7-300V	E7	6	728	11.9	4.9 / 0	2
EC6-235	E6	6	672	11	4.9 / 6	3	E7-310	E7	6	728	11.9	4.9 / 0	2
ENDTF-673C	E6	6	672	11	4.9 / 6	3	E7-427	E7	6	728	11.9	4.9 / 0	2
ENDTF-673A	E6	6	672	11	4.9 / 6	3	E7-380	E7	6	728	11.9	4.9 / 0	2
ENDTF-673	E6	6	672	11	4.9 / 6	3	E7-400V	E7	6	728	11.9	4.9 / 0	2
ENDTB-676	E6	6	672	11	4.9 / 6	3	E7-250	E7	6	728	11.9	4.9 / 0	2
END-672	E6	6	672	11	4.9 / 0	3	E7-300	E7	6	728	11.9	4.9 / 0	2
EM6-237R	E6	6	672	11	4.9 / 6	3	EM7-400	E7	6	728	11.9	4.9 / 0	2
ETSZB-676A	E6	6	672	11	4.9 / 0	3	EM7-275V	E7	6	728	11.9	4.9 / 0	2
ETSZB-673A	E6	6	672	11	4.9 / 6	3	EM7-275	E7	6	728	11.9	4.9 / 0	2
ETSZB-676	E6	6	672	11	4.9 / 6	3	EM7-454	E7	6	728	11.9	4.9 / 0	2
ETYB-675B	E6	6	672	11	4.9 / 0	3	E7-454	E7	6	728	11.9	4.9 / 6.5	2
ETYB-673D	E6	6	672	11	4.9 / 0	3	E7-400	E7	6	728	11.9	4.9 / 6.5	2
ETZB-675	E6	6	672	11	4.9 / 0	3	EM7-250V	E7	6	728	11.9	4.9 / 0	2
ETZB-675B	E6	6	672	11	4.9 / 0	3	EM7-250	E7	6	728	11.9	4.9 / 0	2
ETAZB-675	E6	6	672	11	4.9 / 6	3	E7-350	E7	6	728	11.9	4.9 / 6.5	2
ETZ-675B	E6	6	672	11	4.9 / 6	3	E7	E7	6	730	11.9	4.9 / 6.5	5
EM6-300	E6	6	672	11	4.9 / 6	3	E9-400		8	998	16.4	5.4 /	7
EM6-300R	E6	6	672	11	4.9 / 6	3	E9-500		8	998	16.4	5.4 / 0	7
EM6-285R	E6	6	672	11	4.9 / 6	3	E9-450		8	998	16.4	5.4 / 0	7
EME6-285R	E6	6	672	11	4.9 / 6	3							
EM6-275R	E6	6	672	11	4.9 / 6	3							
EM6-285	E6	6	672	11	4.9 / 6	3							
EM6-250	E6	6	672	11	4.9 / 6	3							
EM6-275	E6	6	672	11	4.9 / 6	3							

PART	NOTES	OE INTERCHANGE NUMBER	PART NUMBER	PER ENGINE QTY
1	4.6250" 605 CID (9.9L) 6 Cyl E6 Series			1

Bearings

Thrust Washer Set	.250" Or .375" Dowel Pin Holes, 4.000" Diameter Main Bearing Journals, Contains 4 Pieces, Contains Stepped Dowel Pins, Crankshaft, Position Number 4	57GC279	TW-422S	1
Camshaft Bearing Set		57GC267	SH-563S	1
	Contains Dowel Pins And 2 Thrust Washers 2.500" Inside Diameter	701GC11A	SH-566WS	1

2	4.8750" 728 CID (11.9L) 6 Cyl E7 Series			2
----------	---	--	--	----------

Cylinder Components

Cylinder Sleeve (Bare)		20706103	226-4615•	6
Ring Set	For A 2 Piece Articulated Piston, Moly Chrome Carbide Ductile Key Rings	353GC2142	S41678	6

Engine Gaskets

Engine Cylinder Head Gasket Set	E-Tech Engines	215SB334A	HS54831-1•	1
Engine Valve Cover Gasket Set		554GB321	VS50622	1
Engine Valve Stem Seal Set	Contains 24 Pieces	446GC328	SS45885•	1
Engine Oil Pan Gasket Set		579GB41C	OS32200	1

Miscellaneous Gaskets

Fuel Injector Seal Kit		446GC2124 446GC2125 590GB2166	GS33649•	6
-------------------------------	--	-------------------------------------	-----------------	---

Bearings

Connecting Rod Bearing		62GB2396A	CB-1598P	6
		62GB2396AP10	CB-1598P-10	
		62GB2396AP20	CB-1598P-20	
Main Bearing Set	Contains 4 Piece Thrust Washer Set, Use In Number 4 Position	57GC387	MS-1982P	1
		57GC387AP10	MS-1982P-10	
Thrust Washer Set	Contains 4 Pieces, Position Number 4	57GC2144	TW-582S	1
Camshaft Bearing Set	From 8/87, Late Design	57GC2129	SH-1450S•	1
		57GC2129	SH-2141S	1

Valve Train & Ancillary

Valve (Intake)	4 Valve Head, Stem Diameter .373	690GC2210	211-3173	12
Valve (Exhaust)	4 Valve Head, Stem Diameter .372	688GC2378	211-3174	12
Valve Guide (Intake & Exhaust)	4 Valve Head, Stem Diameter .372	714GB222P2	217-4091	24

Crankshaft

Crankshaft		456GC2156	247-5205	1
-------------------	--	-----------	-----------------	---

3	4.8750" 672 CID (11.0L) 6 Cyl; Turbocharged E6 Series			3
----------	---	--	--	----------

Cylinder Components

Piston		240GC1550AP1	224-1859	6
	Dual Ni-Resist Inserts, For 4-Valve Cylinder Head	240GC579	224-2258	6

PART	NOTES	OE INTERCHANGE NUMBER	PART NUMBER	PER ENGINE QTY
3 (cont.)	4.8750" 672 CID (11.0L) 6 Cyl; Turbocharged E6 Series			3 (cont.)
Cylinder Components (cont.)				
Ring Set	5 Ring Piston	353GC226P1	S40306	6
	Chrome Ductile Compression Ring, Chrome Second Ring	353GC280B	S41316	6
		353GC2139	S41418	6
Engine Gaskets				
Engine Push Rod Cover Gasket Set		601GB31C 601GB31D	VS50421	1
Engine Oil Pan Gasket Set	Segmented 4 Piece Oil Pan Gasket	579GB41C	OS21998	1
Rear Main Seal	855 Engines, Viton, Wet Housing, with Starter Mounts at 90 Degrees between #3 and #4 Quadrants	446GC238B	46773	1
	Includes Repair Sleeve And Oil Seal	57GC186A	48041	1
Miscellaneous Gaskets				
Engine Coolant Thermostat Seal	Packaged in Quantities of 20	447GC216A	GS27706	20
Bearings				
Connecting Rod Bearing		62GB2393P1	CB-1379P	6
		62GB2393P10	CB-1379P-10	
		62GB2393P20	CB-1379P-20	
		62GB2393P30	CB-1379P-30	
		62GB2382P1	CB-599P	6
		62GB2382P10	CB-599P-10	
		62GB2382P20	CB-599P-20	
		62GB2382P30	CB-599P-30	
Main Bearing Set	Contains 4 Piece Thrust Washer Set, Use In Number 4 Position, Contains Stepped Dowel Pins	215SB72DP1	MS-954P	1
		215SB72DP2	MS-954P-10	
		215SB72DP3	MS-954P-20	
		215SB72DP4	MS-954P-30	
Thrust Washer Set	.250" Or .375" Dowel Pin Holes, 4.000" Diameter Main Bearing Journals, Contains 4 Pieces, Contains Stepped Dowel Pins, Crankshaft, Position Number 4	57GC279	TW-422S	1
Camshaft Bearing Set	From 8/87, Late Design	57GC2129	SH-1450S•	1
		57GC267	SH-563S	1
	Use With Part Number SH-676S, SH-693S, SH-993S, SH-1450S Contains Dowel Pins And 2 Thrust Washers 2.500" Inside Diameter	701GC11A	SH-566WS	1
	Camshaft With 2.440" Diameter Number 7 Bearing Journal, From 8/87, Late Design, Thru 8/87	57GC268	SH-676S	1
	Early Design, Slotted Bearings In Positions 2 And 5	59GB1109C 59GB1122P1 59GB122B 59GB188CP1	SH-693S	1
	Camshaft With 2.250" Diameter Number 7 Bearing Journal, Late Design, Thru 4/84	57GC266	SH-993S	1
Piston Pin Bushing	Engines With 2.000" Piston Pin Diameter, Requires Boring	187GB138	223-3544	6
Valve Train & Ancillary				
Valve (Intake)	4 Valve Head, Stem Diameter .373	690GC2210	211-3173	12
Valve (Exhaust)	4 Valve Head, Stem Diameter .372	688GC2378	211-3174	12

PART	NOTES	OE INTERCHANGE NUMBER	PART NUMBER	PER ENGINE QTY
3 (cont.)	4.8750" 672 CID (11.0L) 6 Cyl; Turbocharged E6 Series			3 (cont.)

Valve Train & Ancillary (cont.)

Valve Guide		714GB1308P2	217-3810	24
--------------------	--	-------------	-----------------	----

Turbochargers

Turbocharger	Mack Truck E6 With ETZ-673 Engine, Turbo Family: 4LE-303	see at page 552	193 TC 24651 000	1
	Mack Truck E6 With ETZ-673A, ETZ-675 Engine, Turbo Family: 4LE-354	see at page 552	193 TC 24652 000•	1
	Mack Truck ENDT-676A, ETSX-675 Engine , Turbo Family: 4LE-292	see at page 552	193 TC 24656 000•	1
	Mack Truck EM6-285, ETSZ-676A Engine , Turbo Family: 4LE-292	see at page 552	193 TC 24657 000•	1

4	4.8750" 728 CID (11.9L) 6 Cyl E7 Series			4
----------	---	--	--	----------

Cylinder Components

Cylinder Sleeve (Bare)		20706103	226-4615•	6
-------------------------------	--	----------	------------------	---

Engine Gaskets

Engine Cylinder Head Gasket Set	E-Tech Engines	215SB334A	HS54831-1•	1
Engine Valve Stem Seal Set	Contains 24 Pieces	446GC328	SS45885•	1
Engine Oil Pan Gasket Set		579GB41C	OS32200	1

Miscellaneous Gaskets

Fuel Injector Seal Kit		446GC2124 446GC2125 590GB2166	GS33649•	6
-------------------------------	--	-------------------------------------	-----------------	---

Bearings

Camshaft Bearing Set		57GC2129	SH-2141S	1
-----------------------------	--	----------	-----------------	---

Crankshaft

Crankshaft		456GC2156	247-5205	1
-------------------	--	-----------	-----------------	---

5	4.8750" 730 CID (11.9L) 6 Cyl; 1979-2011 E7 Series			5
----------	--	--	--	----------

Cylinder Components

Cylinder Sleeve (Bare)		20706103	226-4615•	6
Piston Pin		182GC2223	223-1965•	6

Engine Gaskets

Engine Cylinder Head Gasket Set	E-Tech Engines	215SB334A	HS54831-1•	1
	EGR Engines	215SB337A	HS54831-2•	1
	Early Models	215SB333	HS54831-3•	1
Engine Conversion Gasket Set	For Engines Built From 12/17/2003 - Up	21089679	CS54831-1•	1
		126SB191A	CS54831-2•	1
	Early Models	57GC2119	CS54831-3•	1

PART	NOTES	OE INTERCHANGE NUMBER	PART NUMBER	PER ENGINE QTY
------	-------	-----------------------	-------------	----------------

5 (cont.)	4.8750" 730 CID (11.9L) 6 Cyl; 1979-2011 E7 Series			5 (cont.)
---------------------	--	--	--	---------------------

Engine Gaskets (cont.)

Engine Cylinder Head Gasket		57GC2176	54831•	2
Engine Valve Cover Gasket Set		554GB321	VS50622	1
Engine Valve Stem Seal Set	Contains 24 Pieces	446GC328	SS45885•	1
Engine Oil Pan Gasket Set		41GC212 579GB422	OS32408•	1
Rear Main Seal		25633195	67946•	1

Miscellaneous Gaskets

EGR Valve Gasket		573GB323	G32544	1
Turbocharger Gasket		590GB48	G32545•	1
Fuel Injector Seal Kit		446GC2124 446GC2125 590GB2166	GS33649•	6
		207SB12	GS33650•	6

Bearings

Camshaft Bearing Set	From 8/87, Late Design	57GC2129	SH-1450S•	1
		57GC2129	SH-2141S	1

Turbochargers

Turbocharger	Mack Truck E7 12L , Turbo Family: S300A113	see at page 552	193 TC 24277 000•	1
	Mack Truck EM6-285, ETSZ-676A Engine , Turbo Family: 4LE-292	see at page 552	193 TC 24657 000•	1

Crankshaft

Crankshaft		456GC2156	247-5205	1
------------	--	-----------	----------	---

6	5.0000" 707 CID (11.6L) 6 Cyl E6 Series			6
----------	---	--	--	----------

Cylinder Components

Ring Set	Chrome 86 Oil Ring, Chrome Ductile Compression Ring, Chrome Second Ring	353GC1567A	S40794	6
----------	---	------------	--------	---

Engine Gaskets

Engine Oil Pan Gasket Set	Segmented 4 Piece Oil Pan Gasket	579GB41C	OS21998	1
Rear Main Seal	855 Engines, Viton, Wet Housing, with Starter Mounts at 90 Degrees between #3 and #4 Quadrants	446GC238B	46773	1
	Includes Repair Sleeve And Oil Seal	57GC186A	48041	1

Miscellaneous Gaskets

Engine Coolant Thermostat Seal	Packaged in Quantities of 20	447GC216A	GS27706	20
--------------------------------	------------------------------	-----------	---------	----

Bearings

Connecting Rod Bearing		62GB2382P1	CB-599P	6
		62GB2382P10	CB-599P-10	
		62GB2382P20	CB-599P-20	
		62GB2382P30	CB-599P-30	

PART	NOTES	OE INTERCHANGE NUMBER	PART NUMBER	PER ENGINE QTY
6 (cont.)	5.0000" 707 CID (11.6L) 6 Cyl E6 Series			6 (cont.)

Bearings (cont.)

Main Bearing Set	Contains 4 Piece Thrust Washer Set, Use In Number 4 Position, Contains Stepped Dowel Pins	215SB72DP1	MS-954P	1
		215SB72DP2	MS-954P-10	
		215SB72DP3	MS-954P-20	
		215SB72DP4	MS-954P-30	
Thrust Washer Set	.250" Or .375" Dowel Pin Holes, 4.000" Diameter Main Bearing Journals, Contains 4 Pieces, Contains Stepped Dowel Pins, Crankshaft, Position Number 4	57GC279	TW-422S	1
Camshaft Bearing Set	From 8/87, Late Design	57GC2129	SH-1450S•	1
		57GC267	SH-563S	1
	Contains Dowel Pins And 2 Thrust Washers 2.500" Inside Diameter	701GC11A	SH-566WS	1
	Camshaft With 2.440" Diameter Number 7 Bearing Journal, From 8/87, Late Design, Thru 8/87	57GC268	SH-676S	1
	Early Design, Slotted Bearings In Positions 2 And 5	59GB1109C 59GB1122P1 59GB122B 59GB188CP1	SH-693S	1
	Camshaft With 2.250" Diameter Number 7 Bearing Journal, Late Design, Thru 4/84	57GC266	SH-993S	1

Valve Train & Ancillary

Valve Guide		714GB1308P2	217-3810	24
--------------------	--	-------------	-----------------	----

7	5.3750" 998 CID (16.4L) 8 Cyl Engine Codes: 'E9-400, E9-450, E9-500'			7
----------	--	--	--	----------

Valve Train & Ancillary

Valve Guide (Intake & Exhaust)	4 Valve Head, Stem Diameter .372	714GB222P2	217-4091	24
---	----------------------------------	------------	-----------------	----

Model	Series	No. Cyls.	CID	Liter	Bore / Stroke	Line No.
OM 612 LA		5		2.7	3.5 / 3.5	1
OM 647LA		5		2.7	3.5 / 0	2
OM 366 LA		6		6	3.8 / 5.2	3
OM 366 A	OM 366	6		6	3.8 / 5.2	3
OM 904 LA	OM 904	4		4.3	4 / 5.1	4
OM 906 LA	OM 906	6		6.4	4 / 5.1	5
OM 924 LA	OM 924	4		4.8	4.2 / 5.4	6
OM 926 LA	OM 926	6		7.2	4.2 / 5.4	7
OM 457 LA	OM 457	6		12	5 / 6.1	8
OM 447 LA	OM 447	6		12	5 / 6.1	9

LINE #	NOTES	PART DESCRIPTION	OVERHAUL	QTY	IN-FRAME	QTY
1	3.4650" 2686 CC (2.7L) 5 Cyl ; Dodge Sprinter Engine Code: 'OM 612 LA'					1
1.1	Straight Rod Contains OE# Piston A 611 037 11 01 OE Rod Bearing Number(s) A612 030 00 60	Kit Number	486-1000		486-5000	
		Piston	224-3364WR	5	224-3364WR	5
		Undersizes	STD-020-040		STD-020-040	
		Connecting Rod Bearing	CB-1842P	5	CB-1842P	5
		Undersizes	P-25MM-50MM		P-25MM-50MM	
		Main Bearing Set	MS-2248P	1	MS-2248P	1
		Undersizes	P-25MM-50MM		P-25MM-50MM	
		Thrust Washer Set	TW-620S	1	TW-620S	1
		Engine Full Gasket Set / Engine Cylinder Head Gasket Set	95-3614VR	1	HS54429	1
	Engine Oil Pan Gasket Set			OS32263	1	
1.2	Tapered Rod Contains OE# Piston A 612 030 12 17 OE Rod Bearing Number(s) A612 030 00 60	Kit Number	486-1002		486-5002	
		Piston	224-3366WR	5	224-3366WR	5
		Undersizes	STD-020-030- 040		STD-020-030- 040	
		Connecting Rod Bearing	CB-1842P	5	CB-1842P	5
		Undersizes	P-25MM-50MM		P-25MM-50MM	
		Main Bearing Set	MS-2248P	1	MS-2248P	1
		Undersizes	P-25MM-50MM		P-25MM-50MM	
		Thrust Washer Set	TW-620S	1	TW-620S	1
		Engine Full Gasket Set / Engine Cylinder Head Gasket Set	95-3614VR	1	HS54429	1
	Engine Oil Pan Gasket Set			OS32263	1	
2	3.4650" 2685 CC (2.7L) 5 Cyl ; Dodge Sprinter Engine Code: 'OM 647LA'					2
2.1	Tapered Rod Contains OE# Piston A 647 030 00 17 OE Rod Bearing Number(s) A612 030 00 60	Kit Number	486-1035			
		Piston	224-3585WR	5		
		Undersizes	STD-50MM			
		Main Bearing Set	MS-2248P	1		
		Undersizes	P-25MM-50MM			
		Thrust Washer Set	TW-620S	1		
		Connecting Rod Bearing	CB-1842P	5		
		Undersizes	P-25MM-50MM			
	Engine Full Gasket Set	95-3614VR	1			

LINE #	NOTES	PART DESCRIPTION	OVERHAUL	QTY	IN-FRAME	QTY
3	3.8390" 5958 CC (6.0L) 6 Cyl / 12 Valves; Turbocharged Engine Codes: 'OM 366 A, OM 366 LA'					3
3.1	16.5:1 CR Straight Rod Piston With Compression Height 62.80MM, Chamber Depth 22.35MM, Total Length 107.80MM OE Rod Bearing Number(s) 364 030 03 60 OE Main Bearing Number(s) 366 030 00 40	Kit Number	486-1004			
		Cylinder Sleeve	226-4609	6		
		Piston	224-3836	6		
		Ring Set	3007KM	1		
		Connecting Rod Bearing Set	CB-1952P(6)	1		
		Undersizes	P-25MM(6)-50MM(6)- 75MM(6)			
		Main Bearing Set	MS-2333P	1		
		Undersizes	P-25MM-50MM- 75MM			
	Engine Full Gasket Set	FS54836	1			
3.2	17.25:1 CR Tapered Rod Piston With Compression Height 62.80MM, Chamber Depth 22.60MM, Total Length 107.80MM OE Rod Bearing Number(s) 364 030 03 60 OE Main Bearing Number(s) 366 030 00 40	Kit Number	486-1007			
		Cylinder Sleeve	226-4609	6		
		Piston	224-3837	6		
		Ring Set	3007KM	1		
		Connecting Rod Bearing Set	CB-1952P(6)	1		
		Undersizes	P-25MM(6)-50MM(6)- 75MM(6)			
		Main Bearing Set	MS-2333P	1		
		Undersizes	P-25MM-50MM- 75MM			
	Engine Full Gasket Set	FS54836	1			
3.3	18.0:1 CR Tapered Rod Piston With Compression Height 63.00MM, Chamber Depth 23.00MM, Total Length 108.00MM OE Rod Bearing Number(s) 364 030 03 60 OE Main Bearing Number(s) 366 030 00 40	Kit Number	486-1012			
		Cylinder Sleeve Assembly	226-2081	6		
		Connecting Rod Bearing Set	CB-1952P(6)	1		
		Undersizes	P-25MM(6)-50MM(6)- 75MM(6)			
		Main Bearing Set	MS-2333P	1		
		Undersizes	P-25MM-50MM- 75MM			
		Engine Full Gasket Set	FS54836	1		
3.4	18.0:1 CR Tapered Rod Piston With Compression Height 63.00MM, Chamber Depth 22.20MM, Total Length 108.00MM OE Rod Bearing Number(s) 364 030 03 60 OE Main Bearing Number(s) 366 030 00 40	Kit Number	486-1015			
		Cylinder Sleeve Assembly	226-2082	6		
		Connecting Rod Bearing Set	CB-1952P(6)	1		
		Undersizes	P-25MM(6)-50MM(6)- 75MM(6)			
		Main Bearing Set	MS-2333P	1		
		Undersizes	P-25MM-50MM- 75MM			
		Engine Full Gasket Set	FS54836	1		

LINE #	NOTES	PART DESCRIPTION	OVERHAUL	QTY	IN-FRAME	QTY
4	4.0160" 4250 CC (4.3L) 4 Cyl ; Turbocharged-Aftercooled OM 904 Series					4
4.1	40MM Pin Diameter Plastic Valve Cover OE Rod Bearing Number(s) 904 030 3160 OE Main Bearing Number(s) 904 030 13 40	Kit Number	486-1016			
		Cylinder Sleeve	226-4606	4		
		Piston	224-3841	4		
		Ring Set	42210	2		
		Connecting Rod Bearing Set	CB-1888P(4)	1		
		Undersizes	P-25MM(4)-50MM(4)			
		Main Bearing Set	MS-2282P	1		
		Undersizes	P-25MM-50MM			
		Engine Cylinder Head Gasket Set	HS54837	1		
4.2	42MM Pin Diameter Plastic Valve Cover OE Rod Bearing Number(s) 904 030 3160 OE Main Bearing Number(s) 904 030 13 40	Kit Number	486-1019			
		Cylinder Sleeve	226-4606	4		
		Piston	224-3842	4		
		Ring Set	42210	2		
		Connecting Rod Bearing Set	CB-1888P(4)	1		
		Undersizes	P-25MM(4)-50MM(4)			
		Main Bearing Set	MS-2282P	1		
		Undersizes	P-25MM-50MM			
		Engine Cylinder Head Gasket Set	HS54837	1		
4.3	42MM Pin Diameter Plastic Valve Cover Cast Steel Oil Pan OE Rod Bearing Number(s) 904 030 3160 OE Main Bearing Number(s) 904 030 13 40	Kit Number	486-1036	486-5036		
		Cylinder Sleeve	226-4606	4	226-4606	4
		Piston	224-3842	4	224-3842	4
		Ring Set	42210	2	42210	2
		Connecting Rod Bearing Set	CB-1888P(4)	1	CB-1888P(4)	1
		Undersizes	P-25MM(4)-50MM(4)		P-25MM(4)-50MM(4)	
		Main Bearing Set	MS-2282P	1	MS-2282P	1
		Undersizes	P-25MM-50MM		P-25MM-50MM	
		Thrust Washer Set	TW-705S	1	TW-705S	1
		Engine Cylinder Head Gasket Set	HS54837	1	HS54837	1
		Engine Oil Pan Gasket Set	OS32402	1	OS32402	1
		Engine Conversion Gasket Set	CS54837	1		
		4.4	42MM Pin Diameter Plastic Valve Cover Plastic Oil Pan OE Rod Bearing Number(s) 904 030 3160 OE Main Bearing Number(s) 904 030 13 40	Kit Number	486-1037	486-5037
Cylinder Sleeve	226-4606			4	226-4606	4
Piston	224-3842			4	224-3842	4
Ring Set	42210			2	42210	2
Connecting Rod Bearing Set	CB-1888P(4)			1	CB-1888P(4)	1
Undersizes	P-25MM(4)-50MM(4)				P-25MM(4)-50MM(4)	
Main Bearing Set	MS-2282P			1	MS-2282P	1
Undersizes	P-25MM-50MM				P-25MM-50MM	
Thrust Washer Set	TW-705S			1	TW-705S	1
Engine Cylinder Head Gasket Set	HS54837			1	HS54837	1
Engine Oil Pan Gasket Set	OS32406			1	OS32406	1
Engine Conversion Gasket Set	CS54837			1		

LINE #	NOTES	PART DESCRIPTION	OVERHAUL	QTY	IN-FRAME	QTY
5	4.0160" 6370 CC (6.4L) 6 Cyl / 18 Valves; Turbocharged-Aftercooled OM 906 Series					5
5.1	40MM Pin Diameter Plastic Valve Cover OE Rod Bearing Number(s) 906 030 3160 OE Main Bearing Number(s) 904 030 13 40	Kit Number	486-1022			
		Cylinder Sleeve	226-4606	6		
		Piston	224-3841	6		
		Ring Set	42210	3		
		Connecting Rod Bearing Set	CB-1888P(6)	1		
		Undersizes	P-25MM(6)-50MM(6)			
		Main Bearing Set	MS-2283P	1		
		Undersizes	P-25MM-50MM			
		Engine Cylinder Head Gasket Set	HS54838	1		
5.2	42MM Pin Diameter Plastic Valve Cover OE Rod Bearing Number(s) 906 030 3160 OE Main Bearing Number(s) 904 030 13 40	Kit Number	486-1025			
		Cylinder Sleeve	226-4606	6		
		Piston	224-3842	6		
		Ring Set	42210	3		
		Connecting Rod Bearing Set	CB-1888P(6)	1		
		Undersizes	P-25MM(6)-50MM(6)			
		Main Bearing Set	MS-2283P	1		
		Undersizes	P-25MM-50MM			
		Engine Cylinder Head Gasket Set	HS54838	1		
5.3	42MM Pin Diameter Plastic Valve Cover Cast Steel Oil Pan OE Rod Bearing Number(s) 906 030 3160 OE Main Bearing Number(s) 904 030 13 40	Kit Number	486-1038	486-5038		
		Cylinder Sleeve	226-4606	6	226-4606	6
		Piston	224-3842	6	224-3842	6
		Ring Set	42210	3	42210	3
		Connecting Rod Bearing Set	CB-1888P(6)	1	CB-1888P(6)	1
		Undersizes	P-25MM(6)-50MM(6)		P-25MM(6)-50MM(6)	
		Main Bearing Set	MS-2283P	1	MS-2283P	1
		Undersizes	P-25MM-50MM		P-25MM-50MM	
		Thrust Washer Set	TW-705S	1	TW-705S	1
		Engine Cylinder Head Gasket Set	HS54838	1	HS54838	1
		Engine Oil Pan Gasket Set	OS32401	1	OS32401	1
		Engine Conversion Gasket Set	CS54837	1		
		5.4	42MM Pin Diameter Plastic Valve Cover Plastic Oil Pan OE Rod Bearing Number(s) 906 030 3160 OE Main Bearing Number(s) 904 030 13 40	Kit Number	486-1039	486-5039
Cylinder Sleeve	226-4606			6	226-4606	6
Piston	224-3842			6	224-3842	6
Ring Set	42210			3	42210	3
Connecting Rod Bearing Set	CB-1888P(6)			1	CB-1888P(6)	1
Undersizes	P-25MM(6)-50MM(6)				P-25MM(6)-50MM(6)	
Main Bearing Set	MS-2283P			1	MS-2283P	1
Undersizes	P-25MM-50MM				P-25MM-50MM	
Thrust Washer Set	TW-705S			1	TW-705S	1
Engine Cylinder Head Gasket Set	HS54838			1	HS54838	1
Engine Oil Pan Gasket Set	OS32407			1	OS32407	1
Engine Conversion Gasket Set	CS54837			1		

LINE #	NOTES	PART DESCRIPTION	OVERHAUL	QTY	IN-FRAME	QTY
6	4.1730" 4800 CC (4.8L) 4 Cyl / 12 Valves; Turbocharged-Aftercooled OM 924 Series					6
6.1	From 170 HP Sputter Bearings Piston With Compression Height 61.40MM Chamber Depth 12.56MM Total Length 98.40MM OE Rod Bearing Number(s) 904 030 43 60 OE Main Bearing Number(s) 904 030 13 40	Kit Number	486-1033			
		Piston	224-3710	4		
		Ring Set	S42127	2		
		Connecting Rod Bearing Set	CB-1895P(4)	1		
		Undersizes	P-25MM(4)-50MM(4)			
		Main Bearing Set	MS-2282P	1		
		Undersizes	P-25MM-50MM			
		Engine Cylinder Head Gasket Set	HS54744	1		
6.2	From 170 HP Sputter Bearings Cast Steel Oil Pan OE Rod Bearing Number(s) 904 030 43 60 OE Main Bearing Number(s) 904 030 13 40	Kit Number	486-1040		486-5040	
		Piston	224-3710	4	224-3710	4
		Ring Set	S42127	2	S42127	2
		Connecting Rod Bearing Set	CB-1895P(4)	1	CB-1895P(4)	1
		Undersizes	P-25MM(4)-50MM(4)		P-25MM(4)-50MM(4)	
		Main Bearing Set	MS-2282P	1	MS-2282P	1
		Undersizes	P-25MM-50MM		P-25MM-50MM	
		Thrust Washer Set	TW-705S	1	TW-705S	1
		Engine Cylinder Head Gasket Set	HS54744	1	HS54744	1
		Engine Oil Pan Gasket Set	OS32402	1	OS32402	1
		Engine Conversion Gasket Set	CS54837	1		
6.3	From 170 HP Sputter Bearings Plastic Oil Pan OE Rod Bearing Number(s) 904 030 43 60 OE Main Bearing Number(s) 904 030 13 40	Kit Number	486-1041		486-5041	
		Piston	224-3710	4	224-3710	4
		Ring Set	S42127	2	S42127	2
		Connecting Rod Bearing Set	CB-1895P(4)	1	CB-1895P(4)	1
		Undersizes	P-25MM(4)-50MM(4)		P-25MM(4)-50MM(4)	
		Main Bearing Set	MS-2282P	1	MS-2282P	1
		Undersizes	P-25MM-50MM		P-25MM-50MM	
		Thrust Washer Set	TW-705S	1	TW-705S	1
		Engine Cylinder Head Gasket Set	HS54744	1	HS54744	1
		Engine Oil Pan Gasket Set	OS32406	1	OS32406	1
		Engine Conversion Gasket Set	CS54837	1		
7	4.1730" 7200 CC (7.2L) 6 Cyl / 18 Valves; Turbocharged-Aftercooled OM 926 Series					7
7.1	From 280 HP Sputter Bearings Piston With Compression Height 61.40MM Chamber Depth 12.56MM Total Length 98.40MM OE Rod Bearing Number(s) 906 030 07 60 OE Main Bearing Number(s) 904 030 13 40	Kit Number	486-1034			
		Piston	224-3710	6		
		Ring Set	S42127	3		
		Connecting Rod Bearing Set	CB-1895P(6)	1		
		Undersizes	P-25MM(6)-50MM(6)			
		Main Bearing Set	MS-2283P	1		
		Undersizes	P-25MM-50MM			
		Engine Cylinder Head Gasket Set	HS54743	1		

LINE #	NOTES	PART DESCRIPTION	OVERHAUL	QTY	IN-FRAME	QTY
7 (cont.)	4.1730" 7200 CC (7.2L) 6 Cyl / 18 Valves; Turbocharged-Aftercooled OM 926 Series					7 (cont.)
7.2	From 280 HP Sputter Bearings Cast Steel Oil Pan OE Rod Bearing Number(s) 906 030 07 60 OE Main Bearing Number(s) 904 030 13 40	Kit Number	486-1042		486-5042	
		Piston	224-3710	6	224-3710	6
		Ring Set	S42127	3	S42127	3
		Connecting Rod Bearing Set	CB-1895P(6)	1	CB-1895P(6)	1
		Undersizes	P-25MM(6)-50MM(6)		P-25MM(6)-50MM(6)	
		Main Bearing Set	MS-2283P	1	MS-2283P	1
		Undersizes	P-25MM-50MM		P-25MM-50MM	
		Thrust Washer Set	TW-705S	1	TW-705S	1
		Engine Cylinder Head Gasket Set	HS54743	1	HS54743	1
		Engine Oil Pan Gasket Set	OS32401	1	OS32401	1
		Engine Conversion Gasket Set	CS54837	1		
7.3	From 280 HP Sputter Bearings Plastic Oil Pan OE Rod Bearing Number(s) 906 030 07 60 OE Main Bearing Number(s) 904 030 13 40	Kit Number	486-1043		486-5043	
		Piston	224-3710	6	224-3710	6
		Ring Set	S42127	3	S42127	3
		Connecting Rod Bearing Set	CB-1895P(6)	1	CB-1895P(6)	1
		Undersizes	P-25MM(6)-50MM(6)		P-25MM(6)-50MM(6)	
		Main Bearing Set	MS-2283P	1	MS-2283P	1
		Undersizes	P-25MM-50MM		P-25MM-50MM	
		Thrust Washer Set	TW-705S	1	TW-705S	1
		Engine Cylinder Head Gasket Set	HS54743	1	HS54743	1
		Engine Oil Pan Gasket Set	OS32407	1	OS32407	1
		Engine Conversion Gasket Set	CS54837	1		
8	5.0390" 11967 CC (12.0L) 6 Cyl / 24 Valves OM 457 Series					8
8.1	17.25:1 CR Piston With Compression Height 90.05MM Chamber Depth 18.00MM Total Length 140.05MM Plastic Valve Cover Contains OE# Head Gasket 457 016 1120	Kit Number	486-1031			
		Cylinder Sleeve Assembly	226-2086	6		
		Connecting Rod Bearing Set	CB-1951P(6)	1		
		Main Bearing Set	MS-2332P	1		
		Engine Cylinder Head Gasket Set	HS54742	6		
8.2	17.25:1 CR Piston With Compression Height 90.05MM Chamber Depth 18.00MM Total Length 140.05MM Cast Steel Valve Cover Contains OE# Head Gasket Set 457 010 31 20	Kit Number	486-1032			
		Cylinder Sleeve Assembly	226-2086	6		
		Connecting Rod Bearing Set	CB-1951P(6)	1		
		Main Bearing Set	MS-2332P	1		
		Engine Cylinder Head Gasket Set	HS54885	6		

LINE #	NOTES	PART DESCRIPTION	OVERHAUL	QTY	IN-FRAME	QTY
9	5.0390" 11970 CC (12.0L) 6 Cyl / 12 Valves OM 447 Series					9
9.1	Piston With Compression Height 89.95MM Chamber Depth 24.00MM Total Length 140.00MM Contains OE# Head Gasket Set 444 010 0220	Kit Number	486-1029			
		Cylinder Sleeve	226-4607	6		
		Piston	224-3840	6		
		Ring Set	S42220	6		
		Main Bearing Set	MS-2332P	1		
		Connecting Rod Bearing Set	CB-1901P	1		
		Engine Cylinder Head Gasket Set	HS54757	6		

Model	Series	No. Cyls.	CID	Liter	Bore / Stroke	Line No.
OM 646 LA		4		2.1	3.5 / 0	2
OM 612 LA		5		2.7	3.5 / 3.5	3
OM 647LA		5		2.7	3.5 / 0	4
OM 366 LA		6		6	3.8 / 5.2	6
OM 366 A	OM 366	6		6	3.8 / 5.2	6
OM 366	OM 366	6		6	3.8 / 5.2	6
OM 904 LA	OM 904	4		4.3	4 / 5.1	7
OM 906 LA	OM 906	6		6.4	4 / 5.1	8
OM 924 LA	OM 924	4		4.8	4.2 / 5.4	9
OM 926 LA	OM 926	6		7.2	4.2 / 5.4	10
OM 449 A	OM 449	5		10	5 / 6.1	11
OM 449 LA	OM 449	5		10	5 / 6.1	12
OM 447 LA	OM 447	6		12	5 / 6.1	13
OM 457 LA	OM 457	6		12	5 / 6.1	14
OM 642		6	182	3	3.3 / 3.6	1
OM 352		6	346	5.7	3.8 / 5	5

PART	NOTES	OE INTERCHANGE NUMBER	PART NUMBER	PER ENGINE QTY
1	3.2600" 182 CID (3.0L) 6 Cyl / 24 Valves; Turbocharged Dodge Sprinter; Compression Ratio 18.1:1 Engine Code: 'OM 642'			1

Engine Gaskets

Engine Cylinder Head Gasket Set		Exclusive	HS54816•	1
Engine Conversion Gasket Set	Thru 06/2006, Use with Head Set to Make Full Set	Exclusive	CS54816-1	1
	From 07/2006, Use with Head Set to Make Full Set	Exclusive	CS54816-2	1
Engine Cylinder Head Gasket	Left Head	A642 016 51 20	54816	1
	Right Head	A642 016 52 20	54817	1
Engine Valve Stem Seal Set		000 053 56 58	B45976•	24
Engine Intake Manifold Gasket Set		A642 141 05 80	MS19834	2
Exhaust Manifold Gasket Set		A642 142 00 80	MS19833	2
Engine Timing Cover Seal		018 997 19 47 021 997 18 47 023 997 84 47	67769•	1

Miscellaneous Gaskets

Engine Oil Drain Plug Gasket		007603 012105	B32518•	1
------------------------------	--	---------------	----------------	---

2	3.4650" 2148 CC (2.1L) 4 Cyl / 16 Valves; Turbocharged-Aftercooled 211 CDI, 311 CDI Engine Code: 'OM 646 LA'			2
----------	--	--	--	----------

Cylinder Components

Ring Set		611 030 00 24 646 030 03 24	42209•	1
		Exclusive	42209.010	
		Exclusive	42209.020	
		Exclusive	42209.030	
		Exclusive	42209.040	

Engine Gaskets

Engine Cylinder Head Gasket Set	Valve Cover Gasket Not Included	Exclusive	HS54779A	1
Engine Conversion Gasket Set		611 010 06 05	CS54779	1
Engine Cylinder Head Gasket		611 016 11 20	54779•	1
Engine Cylinder Head Bolt Set		611 990 13 22	GS33422B	1
Engine Valve Cover Gasket Set		611 016 02 21 646 016 12 21	VS50574	1
Engine Valve Stem Seal Set	Intake And Exhaust, Contains 16 Pieces	000 053 41 58	B45945A	1
Engine Intake Manifold Gasket Set		611 098 03 80	MS19746•	4
Exhaust Manifold Gasket Set		611 142 07 80	MS19744	1
Engine Oil Pan Gasket Set		611 014 02 22	OS32377	1

PART	NOTES	OE INTERCHANGE NUMBER	PART NUMBER	PER ENGINE QTY
2 (cont.)	3.4650" 2148 CC (2.1L) 4 Cyl / 16 Valves; Turbocharged-Aftercooled 211 CDI, 311 CDI Engine Code: 'OM 646 LA'			2 (cont.)

Engine Gaskets (cont.)

Engine Timing Cover Seal		018 997 19 47 021 997 18 47 023 997 84 47	67769•	1
Rear Main Seal Set		611 010 01 14 611 010 02 14	JV1680	1

Bearings

Connecting Rod Bearing		A612 030 00 60	CB-1842P	4
		612 030 01 60	CB-1842P-.25MM	
		612 030 02 60	CB-1842P-.50MM	
	Connecting Rod With Housing Bore Resized .002" Larger Than Stock	Exclusive	CB-1843P-.25MM	4
		Exclusive	CB-1843P-.50MM	
Connecting Rod Bearing Set		A612 030 00 60	CB-1842P(4)•	1
		612 030 01 60	CB-1842P-.25MM(4)	
		612 030 02 60	CB-1842P-.50MM(4)	
Main Bearing Set	Thrust Washer Set Not Included	602 030 20 40	MS-2331P•	1
		602 030 21 40	MS-2331P-.25MM	
		602 030 22 40	MS-2331P-.50MM	
Thrust Washer Set	Contains 4 Pieces	601 030 00 62	TW-620S•	1
Piston Pin Bushing	Requires Light Reaming	611 038 00 50	223-3665	4

Filters

Oil filter element		6111800009	OX 153D3 ECO	1
Inline fuel filter	With Water Level Sensor Preparation	6420920701 6460920701	KL 228/2D	1
		6460920501	KL 313	1

3	3.4650" 2686 CC (2.7L) 5 Cyl; Dodge Sprinter Engine Code: 'OM 612 LA'			3
----------	---	--	--	----------

Cylinder Components

Piston	Supersedes To 224-3364WR	See Note	224-3364	5
		See Note	224-3364.020	
		See Note	224-3364.040	
	Straight Rod	A611 037 11 01	224-3364WR•	5
		Exclusive	224-3364WR.020	
		Exclusive	224-3364WR.040	
	Supersedes To 224-3366WR	See Note	224-3366	5
		See Note	224-3366.020	
		See Note	224-3366.030	
		See Note	224-3366.040	
	Tapered Rod	611 030 1417 612 030 04 17	224-3366WR•	5
		Exclusive	224-3366WR.020	
		Exclusive	224-3366WR.030	
		Exclusive	224-3366WR.040	

PART	NOTES	OE INTERCHANGE NUMBER	PART NUMBER	PER ENGINE QTY
3 (cont.)	3.4650" 2686 CC (2.7L) 5 Cyl; Dodge Sprinter Engine Code: 'OM 612 LA'			3 (cont.)

Cylinder Components (cont.)

Ring Set		611 030 00 24 646 030 03 24	41932	1
		Exclusive	41932.010	
		Exclusive	41932.020	
		Exclusive	41932.030	
		Exclusive	41932.040	

Engine Gaskets

Engine Full Gasket Set		Exclusive	95-3614VR•	1
Engine Cylinder Head Gasket Set		612 010 18 20 612 050 00 58 647 016 01 21	HS54429	1
Engine Conversion Gasket Set	Use with Head Set to Make Full Set	612 010 14 05	CS54429	1
Engine Cylinder Head Gasket		647 016 06 20	54429	1
Engine Cylinder Head Bolt Set		611 990 13 22	GS33422	1
Engine Valve Cover Gasket Set		647 016 01 21	VS50377•	1
Engine Valve Stem Seal Set		612 050 00 58	B45945	20
Engine Intake Manifold Gasket Set		612 141 01 80	MS19270	1
Exhaust Manifold Gasket Set		612 142 03 80	MS19271•	1
Engine Oil Pan Gasket Set		612 014 01 22	OS32263	1
Engine Timing Cover Gasket		611 015 01 80	T31767	1
Engine Timing Cover Seal		018 997 19 47 021 997 18 47 023 997 84 47	67769•	1
Rear Main Seal Set		611 010 01 14 611 010 02 14	JV1680	1

Bearings

Connecting Rod Bearing		A612 030 00 60	CB-1842P	5	
		612 030 01 60	CB-1842P-.25MM		
		612 030 02 60	CB-1842P-.50MM		
	Connecting Rod With Housing Bore Resized .002" Larger Than Stock		Exclusive	CB-1843P-.25MM	5
			Exclusive	CB-1843P-.50MM	
Connecting Rod Bearing Set		A612 030 00 60	CB-1842P(5)	1	
		612 030 01 60	CB-1842P-.25MM(5)		
		612 030 02 60	CB-1842P-.50MM(5)		
Main Bearing Set	Requires Thrust Washer Set, Thrust Washer Set Not Included	602 030 20 40	MS-2248P	1	
		602 030 21 40	MS-2248P-.25MM		
		602 030 22 40	MS-2248P-.50MM		
Thrust Washer Set	Contains 4 Pieces	601 030 00 62	TW-620S•	1	
Piston Pin Bushing	Requires Light Reaming	611 038 00 50	223-3665	5	

PART	NOTES	OE INTERCHANGE NUMBER	PART NUMBER	PER ENGINE QTY
3 (cont.)	3.4650" 2686 CC (2.7L) 5 Cyl; Dodge Sprinter Engine Code: 'OM 612 LA'			3 (cont.)

Filters

Oil filter element		6111800009	OX 153D3 ECO	1
Inline fuel filter		6110900852 6110920601	KL 100/2	1
		A6120920001	KL 195	1

4	3.4650" 2685 CC (2.7L) 5 Cyl; Dodge Sprinter Engine Code: 'OM 647LA'			4
----------	--	--	--	----------

Cylinder Components

Piston		A611 030 13 17	224-3585WR•	5
		Exclusive	224-3585WR-.50MM	
Ring Set		611 030 00 24 646 030 03 24	41932	1
		Exclusive	41932.010	
		Exclusive	41932.020	
		Exclusive	41932.030	
		Exclusive	41932.040	

Engine Gaskets

Engine Full Gasket Set		Exclusive	95-3614VR•	1
Engine Cylinder Head Gasket Set		612 010 18 20 612 050 00 58 647 016 01 21	HS54429	1
Engine Conversion Gasket Set	Use with Head Set to Make Full Set	612 010 14 05	CS54429	1
Engine Cylinder Head Gasket		647 016 06 20	54429	1
Engine Cylinder Head Bolt Set		611 990 13 22	GS33422	1
Engine Valve Cover Gasket Set		647 016 01 21	VS50377•	1
Valve Stem Seal (Intake)		612 050 00 58	B45945	10
Valve Stem Seal (Exhaust)		612 050 00 58	B45945	10
Engine Intake Manifold Gasket Set		612 141 01 80	MS19270	1
Exhaust Manifold Gasket Set		612 142 03 80	MS19271•	1
Engine Oil Pan Gasket Set		612 014 01 22	OS32263	1
Engine Timing Cover Gasket		611 015 01 80	T31767	1
Engine Timing Cover Seal		018 997 19 47 021 997 18 47 023 997 84 47	67769•	1
Rear Main Seal Set		611 010 01 14 611 010 02 14	JV1680	1

Miscellaneous Gaskets

Engine Water Pump Gasket		611 201 02 80	K31768	1
Engine Coolant Outlet Gasket		611 203 03 80	C31769	1

PART	NOTES	OE INTERCHANGE NUMBER	PART NUMBER	PER ENGINE QTY
4 (cont.)	3.4650" 2685 CC (2.7L) 5 Cyl; Dodge Sprinter Engine Code: 'OM 647LA'			4 (cont.)

Bearings

Connecting Rod Bearing		A612 030 00 60	CB-1842P	5
		612 030 01 60	CB-1842P-.25MM	
		612 030 02 60	CB-1842P-.50MM	
Connecting Rod Bearing	Connecting Rod With Housing Bore Resized .002" Larger Than Stock	Exclusive	CB-1843P-.25MM	5
		Exclusive	CB-1843P-.50MM	
Connecting Rod Bearing Set		A612 030 00 60	CB-1842P(5)	1
		612 030 01 60	CB-1842P-.25MM(5)	
		612 030 02 60	CB-1842P-.50MM(5)	
Main Bearing Set	Requires Thrust Washer Set, Thrust Washer Set Not Included	602 030 20 40	MS-2248P	1
		602 030 21 40	MS-2248P-.25MM	
		602 030 22 40	MS-2248P-.50MM	
Thrust Washer Set	Contains 4 Pieces	601 030 00 62	TW-620S•	1
Piston Pin Bushing	Requires Light Reaming	611 038 00 50	223-3665	5

Valve Train & Ancillary

Valve (Intake)	1.130" Head Diameter, .274" Stem Diameter, 4.096" Total Length, 45 Degree Seat	5117 399AA 628 053 00 01	211-4262	10
Valve (Exhaust)	1.031" Head Diameter, .274" Stem Diameter, 4.114 " Total Length, 45 Degree Seat	5117 402AA 628 053 00 05	211-4263	10

Filters

Oil filter element		6111800009	OX 153D3 ECO	1
Inline fuel filter		6110900852 6110920601	KL 100/2	1
		A6120920001	KL 195	1

5	3.8190" 346 CID (5.7L) 6 Cyl Engine Code: 'OM 352'			5
----------	--	--	--	----------

Cylinder Components

Cylinder Sleeve		352 011 16 10	226-4609	6
------------------------	--	---------------	-----------------	---

Bearings

Connecting Rod Bearing Set		364 030 03 60	CB-1952P(6)•	1
		364 030 04 60	CB-1952P-.25MM(6)	
		364 030 05 60	CB-1952P-.50MM(6)	
		364 030 07 60	CB-1952P-.75MM(6)	
Main Bearing Set		366 030 00 40	MS-2333P•	1
		344 030 10 40	MS-2333P-.25MM	
		344 030 11 40	MS-2333P-.50MM	
		344 030 12 40	MS-2333P-.75MM	
Camshaft Bearing Set		344 050 00 51	SH-2188S•	1
Piston Pin Bushing		352 038 21 50	223-3727•	6

Filters

Spin-on fuel filter		0010920301	KC 218	1
----------------------------	--	------------	---------------	---

PART	NOTES	OE INTERCHANGE NUMBER	PART NUMBER	PER ENGINE QTY
6	3.8390" 5958 CC (6.0L) 6 Cyl / 12 Valves; Turbocharged Engine Codes: 'OM 366, OM 366 A, OM 366 LA'			6

Cylinder Components

Cylinder Sleeve Assembly	16.5:1 CR, Straight Rod	see at page 410	226-2079•	6
	17.25:1 CR, Tapered Rod	see at page 410	226-2080•	6
	18.0:1 CR, Tapered Rod	see at page 410	226-2081•	6
	18.0:1 CR, Tapered Rod	see at page 410	226-2082•	6
Cylinder Sleeve		352 011 16 10	226-4609	6
Piston	16.5:1 CR, Straight Rod, Piston With Compression Height 62.80MM, Chamber Depth 22.35MM, Total Length 107.80MM, Contained Within 226-2079	366 037 02 01	224-3836•	6
	17.25:1 CR, Tapered Rod, Piston With Compression Height 62.80MM, Chamber Depth 22.60MM, Total Length 107.80MM, Contained Within 226-2080	366 037 73 01	224-3837•	6
	18.0:1 CR, Tapered Rod, Piston With Compression Height 63.00MM, Chamber Depth 22.20MM, Total Length 108.00MM, Contained Within 226-2082	Exclusive	224-3838•	6
	18.0:1 CR, Tapered Rod, Piston With Compression Height 63.00MM, Chamber Depth 23.00MM, Total Length 108.00MM, Contained Within 226-2081	366 037 97 01	224-3839•	6
Rebore Kit	16.5:1 CR, Straight Rod	366 030 00 17	225-3836•	6
	17.25:1 CR, Tapered Rod	366 030 73 17	225-3837•	6
	18.0:1 CR, Tapered Rod	See Note	225-3838•	6
	18.0:1 CR, Tapered Rod	366 030 14 18	225-3839•	6
Ring Set		366 030 00 24 376 030 02 24	3007KM•	1
		366 030 00 24 376 030 02 24	S42159	6

Engine Gaskets

Engine Full Gasket Set		Exclusive	FS54836	1
Engine Cylinder Head Gasket Set		016 997 82 48 346 017 01 60 366 010 61 20	HS54836•	1
Engine Conversion Gasket Set	Oil Pan Gasket Not Included	366 010 44 08	CS54836	1
Engine Cylinder Head Bolt Set		366 990 03 01	GS33646	1

Bearings

Connecting Rod Bearing Set		364 030 03 60	CB-1952P(6)•	1
		364 030 04 60	CB-1952P-.25MM(6)	
		364 030 05 60	CB-1952P-.50MM(6)	
		364 030 07 60	CB-1952P-.75MM(6)	
Main Bearing Set		366 030 00 40	MS-2333P•	1
		344 030 10 40	MS-2333P-.25MM	
		344 030 11 40	MS-2333P-.50MM	
		344 030 12 40	MS-2333P-.75MM	
Camshaft Bearing Set		344 050 00 51	SH-2188S•	1
Piston Pin Bushing		352 038 21 50	223-3727•	6
	Tapered Rod	Exclusive	223-3728•	6

PART	NOTES	OE INTERCHANGE NUMBER	PART NUMBER	PER ENGINE QTY
6 (cont.)	3.8390" 5958 CC (6.0L) 6 Cyl / 12 Valves; Turbocharged Engine Codes: 'OM 366, OM 366 A, OM 366 LA'			6 (cont.)

Valve Train & Ancillary

Valve (Intake)	Seat Angle 30 Degrees	366 050 03 26	211-4301•	6
	Naturally Aspirated Engines	366 050 02 26	211-4302•	6
	Seat Angle 20 Degrees	366 050 12 26	211-4303•	6
Valve (Exhaust)		366 050 06 27	211-4299•	6
	Naturally Aspirated Engines	366 050 00 27	211-4300•	6
		366 050 02 27	211-4306•	6

Filters

Fuel filter element		0000901151	KX 49D	1
	Premium	0000901151	KX 68D ECO	1

Turbochargers

Turbocharger		see at page 562	001 TC 31101 000	1
---------------------	--	-----------------	-------------------------	---

7	4.0160" 4250 CC (4.3L) 4 Cyl; Turbocharged-Aftercooled OM 904 Series			7
----------	--	--	--	----------

Cylinder Components

Cylinder Sleeve Assembly	40MM Pin Diameter	see at page 410	226-2083•	4
	42MM Pin Diameter	see at page 410	226-2084	4
Cylinder Sleeve		906 011 01 10	226-4606	4
Piston	40MM Pin Diameter, Piston With Compression Height 64.40MM, Chamber Depth 13.90MM, Total Length 101.20MM, Contained Within 226-2083	Exclusive	224-3841•	4
	42MM Pin Diameter, Piston With Compression Height 64.40MM, Chamber Depth 13.90MM, Total Length 101.20MM, Contained Within 226-2084	Exclusive	224-3842•	4
Rebore Kit	40MM Pin Diameter	906 030 32 17 906 030 36 17	225-3841•	4
	42MM Pin Diameter	906 030 5617	225-3842•	4
Ring Set	Set For 2 Cylinders	003 030 97 24	42210•	2

Engine Gaskets

Engine Full Gasket Set	Valve Cover Gasket Not Included, Oil Pan Gasket Not Included	904 016 10 20 904 141 02 80 906 010 14 05 906 141 01 80 906 142 02 80	FS54837	1
Engine Cylinder Head Gasket Set	Plastic Valve Cover	904 010 80 20	HS54837	1
Engine Conversion Gasket Set	Oil Pan Gasket Not Included	906 010 14 05	CS54837	1
Engine Cylinder Head Gasket	54837 Standard Head Gasket 1.25MM Thickness, 54881 .30MM Over Thickness Head Gasket	904 016 13 20	54837	1
		See Note	54881	
Engine Cylinder Head Bolt Set		906 016 07 69	GS33647	1
Engine Valve Cover Gasket Set	Cast Steel Valve Cover	904 016 06 21 906 016 00 80	VS50617	1
	To Engine # 519821 Plastic Valve Cover	000 016 00 40 000 016 04 21	VS50621•	1
Engine Valve Stem Seal Set	From Engine # 039740 Intake And Exhaust	906 053 03 58 906 053 04 58	B45984•	12

PART	NOTES	OE INTERCHANGE NUMBER	PART NUMBER	PER ENGINE QTY
7 (cont.)	4.0160" 4250 CC (4.3L) 4 Cyl; Turbocharged-Aftercooled OM 904 Series			7 (cont.)

Engine Gaskets (cont.)

Engine Valve Stem Seal Set (cont.)	To Engine # 039739 Intake And Exhaust	906 053 01 58	SS46045	12
	To Engine # 039739 Intake And Exhaust, 12 Per Package	906 053 01 58	SS46058•	1
	From Engine # 039740 Intake And Exhaust, 12 Per Package	906 053 03 58	SS46059•	1
Engine Intake Manifold Gasket Set		906 141 04 80	MS19753	2
Exhaust Manifold Gasket Set		906 142 11 80	MS19752	2
Engine Oil Pan Gasket Set	Cast Steel Oil Pan	904 014 09 22	OS32402	1
	Plastic Oil Pan	904 014 07 22	OS32406•	1
Engine Timing Cover Seal		022 997 76 47	67937	1
Rear Main Seal		021 997 53 47	67936	1

Bearings

Connecting Rod Bearing Set	To 170 HP	904 030 3160	CB-1888P(4)•	1
		904 030 3160	CB-1888P-.25MM(4)	
		904 030 3160	CB-1888P-.50MM(4)	
	Supersedes To CB-1895P(4)	See Note	CB-1895P	1
	From 170 HP, Sputter Bearings	904 030 43 60	CB-1895P(4)	1
		904 030 01 60	CB-1895P-.25MM(4)	
904 030 02 60		CB-1895P-.50MM(4)		
Main Bearing Set	Supersedes To MS-2282P	See Note	MS-2280P	1
		See Note	MS-2280P-.25MM	
		See Note	MS-2280P-.50MM	
	Oval Oil Holes	904 030 13 40	MS-2282P•	1
		904 030 15 40	MS-2282P-.25MM	
		904 030 16 40	MS-2282P-.50MM	
Thrust Washer Set		906 033 05 62	TW-705S•	1
Camshaft Bearing Set		906 051 0350 906 051 0550 906 051 0950	SH-2182S•	1
Piston Pin Bushing	42MM Pin Diameter	A906 038 0650	223-3685•	4
	42MM Pin Diameter, + 0.50 MM OD	A906 038 0650	223-3686•	4

Valve Train & Ancillary

Valve (Intake)		906 050 03 26	211-4305•	8
Valve (Exhaust)		906 050 03 27	211-4304•	4

Filters

Oil filter element		A0001801609	OX 161D ECO	1
Fuel filter element		0000901551	KX 67/2D ECO	1
	Prefilter	0000900751 0000902051	KX 72D1	1

Turbochargers

Turbocharger		see at page 562	001 TC 21101 000	1
---------------------	--	-----------------	-------------------------	---

PART	NOTES	OE INTERCHANGE NUMBER	PART NUMBER	PER ENGINE QTY
8	4.0160" 6370 CC (6.4L) 6 Cyl / 18 Valves; Turbocharged-Aftercooled OM 906 Series			8

Cylinder Components

Cylinder Sleeve Assembly	40MM Pin Diameter	see at page 410	226-2083•	6
	42MM Pin Diameter	see at page 410	226-2084	6
Cylinder Sleeve		906 011 01 10	226-4606	6
Piston	40MM Pin Diameter, Piston With Compression Height 64.40MM, Chamber Depth 13.90MM, Total Length 101.20MM, Contained Within 226-2083	Exclusive	224-3841•	6
	42MM Pin Diameter, Piston With Compression Height 64.40MM, Chamber Depth 13.90MM, Total Length 101.20MM, Contained Within 226-2084	Exclusive	224-3842•	6
Rebore Kit	40MM Pin Diameter	906 030 32 17 906 030 36 17	225-3841•	6
	42MM Pin Diameter	906 030 5617	225-3842•	6
Ring Set	Set For 2 Cylinders	003 030 97 24	42210•	3

Engine Gaskets

Engine Full Gasket Set	Valve Cover Gasket Not Included, Oil Pan Gasket Not Included	904 141 02 80 906 010 15 05 906 016 11 20 906 141 01 80 906 142 02 80	FS54838•	1
Engine Cylinder Head Gasket Set	Plastic Valve Cover	906 010 04 21	HS54838	1
Engine Conversion Gasket Set	Oil Pan Gasket Not Included	906 010 14 05	CS54837	1
Engine Cylinder Head Gasket	54838 Standard Head Gasket 1.25MM Thickness, 54882 .30MM Over Thickness Head Gasket	906 016 12 20	54838	1
		See Note	54882	
Engine Cylinder Head Bolt Set		906 016 07 69	GS33648	1
Engine Valve Cover Gasket Set	To Engine # 519821 Plastic Valve Cover	000 016 00 40 000 016 05 21	VS50618	1
	Cast Steel Valve Cover	906 016 00 80 906 016 06 21	VS50619	1
Engine Valve Stem Seal Set	From Engine # 041956 Intake And Exhaust	906 053 03 58 906 053 04 58	B45984•	18
	To Engine # 041955 Intake And Exhaust	906 053 01 58	SS46045	18
	To Engine # 041955 Intake And Exhaust, Contains 18 Pieces	906 053 01 58	SS46060•	1
	From Engine # 041956 Intake And Exhaust, Contains 18 Pieces	906 053 03 58	SS46061•	1
Engine Intake Manifold Gasket Set		906 141 04 80	MS19753	3
Exhaust Manifold Gasket Set		906 142 11 80	MS19752	3
Engine Oil Pan Gasket Set	Cast Steel Oil Pan	906 014 07 22	OS32401	1
	Plastic Oil Pan	906 014 05 22	OS32407	1
Engine Timing Cover Seal		022 997 76 47	67937	1
Rear Main Seal		021 997 53 47	67936	1

PART	NOTES	OE INTERCHANGE NUMBER	PART NUMBER	PER ENGINE QTY
8 (cont.)	4.0160" 6370 CC (6.4L) 6 Cyl / 18 Valves; Turbocharged-Aftercooled OM 906 Series			8 (cont.)

Bearings

Connecting Rod Bearing Set	To 280 HP	906 030 3160 A906 030 14 60	CB-1888P(6)•	1
		906 030 3160	CB-1888P-.25MM(6)	
		906 030 3160	CB-1888P-.50MM(6)	
	From 280 HP, Sputter Bearings	906 030 07 60	CB-1895P(6)	1
		906 030 09 60 926 030 02 60	CB-1895P-.25MM(6)	
		906 030 10 60	CB-1895P-.50MM(6)	
Supersedes To CB-1895P(6)	See Note	CB-1896P	1	
Main Bearing Set	Supersedes To MS-2283P	See Note	MS-2281P	1
		See Note	MS-2281P-.25MM	
		See Note	MS-2281P-.50MM	
	Oval Oil Holes	904 030 13 40	MS-2283P•	1
		904 030 15 40	MS-2283P-.25MM	
		904 030 16 40	MS-2283P-.50MM	
Thrust Washer Set		906 033 05 62	TW-705S•	1
Camshaft Bearing Set		906 051 0350 906 051 0550 906 051 0950	SH-2184S•	1
Piston Pin Bushing	42MM Pin Diameter	A906 038 0650	223-3685•	6
	42MM Pin Diameter, + 0.50 MM OD	A906 038 0650	223-3686•	6

Valve Train & Ancillary

Valve (Intake)		906 050 03 26	211-4305•	12
Valve (Exhaust)		906 050 03 27	211-4304•	6

Filters

Oil filter element		A0001801709	OX 174D ECO	1
Fuel filter element		0000901551	KX 67/2D ECO	1
	Prefilter	0000900751 0000902051	KX 72D1	1

Turbochargers

Turbocharger		see at page 562	001 TC 31102 000•	1
---------------------	--	-----------------	--------------------------	---

9	4.1730" 4800 CC (4.8L) 4 Cyl / 12 Valves; Turbocharged-Aftercooled OM 924 Series			9
----------	--	--	--	----------

Cylinder Components

Piston	Piston With Compression Height 61.40MM, Chamber Depth 12.56MM, Total Length 98.40MM	See Note	224-3710	4
Ring Set	Set For 2 Cylinders	Exclusive	S42127•	2

Engine Gaskets

Engine Cylinder Head Gasket Set		924 010 03 20	HS54744	1
Engine Conversion Gasket Set	Oil Pan Gasket Not Included	906 010 14 05	CS54837	1
Engine Cylinder Head Gasket	54744 Standard Head Gasket 1.25MM Thickness, 54884 .30MM Over Thickness Head Gasket	924 016 07 20	54744•	1
		See Note	54884	

PART	NOTES	OE INTERCHANGE NUMBER	PART NUMBER	PER ENGINE QTY
9 (cont.)	4.1730" 4800 CC (4.8L) 4 Cyl / 12 Valves; Turbocharged-Aftercooled OM 924 Series			9 (cont.)

Engine Gaskets (cont.)

Engine Cylinder Head Bolt Set		906 016 07 69	GS33647	1
Engine Valve Cover Gasket Set	To Engine # 519821 Plastic Valve Cover	000 016 00 40 000 016 04 21	VS50621•	1
Engine Valve Stem Seal Set	From Engine # 039740 Intake And Exhaust	906 053 03 58 906 053 04 58	B45984•	12
	To Engine # 039739 Intake And Exhaust	906 053 01 58	SS46045	12
	To Engine # 039739 Intake And Exhaust, 12 Per Package	906 053 01 58	SS46058•	1
	From Engine # 039740 Intake And Exhaust, 12 Per Package	906 053 03 58	SS46059•	1
Engine Intake Manifold Gasket Set		906 141 04 80	MS19753	2
Exhaust Manifold Gasket Set		906 142 11 80	MS19752	2
Engine Oil Pan Gasket Set	Cast Steel Oil Pan	904 014 09 22	OS32402	1
	Plastic Oil Pan	904 014 07 22	OS32406•	1
Engine Timing Cover Seal		022 997 76 47	67937	1
Rear Main Seal		021 997 53 47	67936	1

Bearings

Connecting Rod Bearing Set	To 170 HP	904 030 3160	CB-1888P(4)•	1
		904 030 3160	CB-1888P-.25MM(4)	
		904 030 3160	CB-1888P-.50MM(4)	
	Supersedes To CB-1895P(4)	See Note	CB-1895P	1
	From 170 HP, Sputter Bearings	904 030 43 60	CB-1895P(4)	1
		904 030 01 60	CB-1895P-.25MM(4)	
904 030 02 60		CB-1895P-.50MM(4)		
Main Bearing Set	Supersedes To MS-2282P	See Note	MS-2280P	1
		See Note	MS-2280P-.25MM	
		See Note	MS-2280P-.50MM	
	Oval Oil Holes	904 030 13 40	MS-2282P•	1
		904 030 15 40	MS-2282P-.25MM	
		904 030 16 40	MS-2282P-.50MM	
Thrust Washer Set		906 033 05 62	TW-705S•	1
Camshaft Bearing Set		906 051 0350 906 051 0550 906 051 0950	SH-2182S•	1
Piston Pin Bushing	42MM Pin Diameter	A906 038 0650	223-3685•	4
	42MM Pin Diameter, + 0.50 MM OD	A906 038 0650	223-3686•	4

Valve Train & Ancillary

Valve (Intake)		906 050 03 26	211-4305•	8
Valve (Exhaust)		906 050 03 27	211-4304•	4

Filters

Oil filter element		A0001801609	OX 161D ECO	1
---------------------------	--	-------------	--------------------	---

PART	NOTES	OE INTERCHANGE NUMBER	PART NUMBER	PER ENGINE QTY
9 (cont.)	4.1730" 4800 CC (4.8L) 4 Cyl / 12 Valves; Turbocharged-Aftercooled OM 924 Series			9 (cont.)

Filters (cont.)

Fuel filter element		0000901551	KX 67/2D ECO	1
	Prefilter	0000900751 0000902051	KX 72D1	1

Turbochargers

Turbocharger		see at page 562	001 TC 31103 000	1
--------------	--	-----------------	-------------------------	---

10	4.1730" 7200 CC (7.2L) 6 Cyl / 18 Valves; Turbocharged-Aftercooled OM 926 Series			10
-----------	--	--	--	-----------

Cylinder Components

Piston	Piston With Compression Height 61.40MM, Chamber Depth 12.56MM, Total Length 98.40MM	See Note	224-3710	6
Ring Set	Set For 2 Cylinders	Exclusive	S42127•	3

Engine Gaskets

Engine Cylinder Head Gasket Set		926 010 03 20	HS54743	1
Engine Conversion Gasket Set	Oil Pan Gasket Not Included	906 010 14 05	CS54837	1
Engine Cylinder Head Gasket	54743 Standard Head Gasket 1.25MM Thickness, 54883 .30MM Over Thickness Head Gasket	926 016 08 20	54743	1
		See Note	54883	
Engine Cylinder Head Bolt Set		906 016 07 69	GS33648	1
Engine Valve Cover Gasket Set	To engine # 518971 Plastic Valve Cover	000 016 00 40 000 016 05 21	VS50618	1
Engine Valve Stem Seal Set	From Engine # 041956 Intake And Exhaust	906 053 03 58	B45984•	18
		906 053 04 58		
	To Engine # 041955 Intake And Exhaust	906 053 01 58	SS46045	18
		906 053 01 58	SS46060•	1
	From Engine # 041956 Intake And Exhaust, Contains 18 Pieces	906 053 03 58	SS46061•	1
Engine Intake Manifold Gasket Set		906 141 04 80	MS19753	3
Exhaust Manifold Gasket Set		906 142 11 80	MS19752	3
Engine Oil Pan Gasket Set	Cast Steel Oil Pan	906 014 07 22	OS32401	1
	Plastic Oil Pan	906 014 05 22	OS32407	1
Engine Timing Cover Seal		022 997 76 47	67937	1
Rear Main Seal		021 997 53 47	67936	1

Bearings

Connecting Rod Bearing Set	To 280 HP	906 030 3160	CB-1888P(6)•	1
		A906 030 14 60		
		906 030 3160		
	From 280 HP, Sputter Bearings	906 030 3160	CB-1888P-.25MM(6)	1
		906 030 3160	CB-1888P-.50MM(6)	
		906 030 07 60	CB-1895P(6)	
		906 030 09 60	CB-1895P-.25MM(6)	
		926 030 02 60		
		906 030 10 60	CB-1895P-.50MM(6)	

PART	NOTES	OE INTERCHANGE NUMBER	PART NUMBER	PER ENGINE QTY
10 (cont.)	4.1730" 7200 CC (7.2L) 6 Cyl / 18 Valves; Turbocharged-Aftercooled OM 926 Series			10 (cont.)

Bearings (cont.)

Connecting Rod Bearing Set (cont.)	Supersedes To CB-1895P(6)	See Note	CB-1896P	1
Main Bearing Set	Supersedes To MS-2283P	See Note	MS-2281P	1
		See Note	MS-2281P-.25MM	
		See Note	MS-2281P-.50MM	
	Oval Oil Holes	904 030 13 40	MS-2283P•	1
		904 030 15 40	MS-2283P-.25MM	
904 030 16 40		MS-2283P-.50MM		
Thrust Washer Set		906 033 05 62	TW-705S•	1
Camshaft Bearing Set		906 051 0350 906 051 0550 906 051 0950	SH-2184S•	1
Piston Pin Bushing	42MM Pin Diameter	A906 038 0650	223-3685•	6
	42MM Pin Diameter, + 0.50 MM OD	A906 038 0650	223-3686•	6

Valve Train & Ancillary

Valve (Intake)		906 050 03 26	211-4305•	12
Valve (Exhaust)		906 050 03 27	211-4304•	6

Filters

Oil filter element		A0001801709	OX 174D ECO	1
Fuel filter element		0000901551	KX 67/2D ECO	1
	Prefilter	0000900751 0000902051	KX 72D1	1

11	5.0390" 9973 CC (10.0L) 5 Cyl OM 449 Series			11
-----------	---	--	--	-----------

Cylinder Components

Cylinder Sleeve		447 011 01 10 447 011 02 10	226-4607	5
Ring Set		Exclusive	S42220•	5

Engine Gaskets

Engine Cylinder Head Gasket Set		444 010 01 20	HS54757	5
Engine Cylinder Head Gasket		422 016 04 20	54757	5
Engine Cylinder Head Bolt Set		422 990 02 01 422 990 03 01 422 990 04 01	GS33662•	5
Engine Valve Cover Gasket Set		442 016 07 21	VS50633•	5
Engine Intake Manifold Gasket Set		442 141 17 80	MS19860•	5
Exhaust Manifold Gasket Set		403 142 03 80	MS19861•	5
Engine Timing Cover Seal		014 997 46 47	67960•	1
Rear Main Seal		013 997 14 47	67959•	1

Bearings

Piston Pin Bushing		476 038 00 50	223-3683•	5
---------------------------	--	---------------	------------------	---

PART	NOTES	OE INTERCHANGE NUMBER	PART NUMBER	PER ENGINE QTY
12	5.0390" 9973 CC (10.0L) 5 Cyl OM 449 Series			12

Cylinder Components

Cylinder Sleeve		447 011 01 10 447 011 02 10	226-4607	5
Ring Set		Exclusive	S42220•	5

Engine Gaskets

Engine Cylinder Head Gasket Set		444 010 01 20	HS54757	5
Engine Cylinder Head Gasket		422 016 04 20	54757	5
Engine Cylinder Head Bolt Set		422 990 02 01 422 990 03 01 422 990 04 01	GS33662•	5
Engine Valve Cover Gasket Set		442 016 07 21	VS50633•	5
Engine Intake Manifold Gasket Set		442 141 17 80	MS19860•	5
Exhaust Manifold Gasket Set		403 142 03 80	MS19861•	5
Engine Timing Cover Seal		014 997 46 47	67960•	1
Rear Main Seal		013 997 14 47	67959•	1

Bearings

Camshaft Bearing Set		Exclusive	SH-2132S	1
Piston Pin Bushing		476 038 00 50	223-3683•	5

13	5.0390" 11970 CC (12.0L) 6 Cyl / 12 Valves OM 447 Series			13
-----------	--	--	--	-----------

Cylinder Components

Cylinder Sleeve Assembly	Piston With Compression Height 89.95MM, Chamber Depth 24.00MM, Total Length 140.00MM	see at page 410	226-2085	6
Cylinder Sleeve		447 011 01 10 447 011 02 10	226-4607	6
Piston	Piston With Compression Height 89.95MM, Chamber Depth 24.00MM, Total Length 140.00MM, Contained Within 226-2085	Exclusive	224-3840•	6
Ring Set		Exclusive	S42220•	6

Engine Gaskets

Engine Cylinder Head Gasket Set		444 010 01 20	HS54757	6
Engine Cylinder Head Gasket		422 016 04 20	54757	6
Engine Cylinder Head Bolt Set		422 990 02 01 422 990 03 01 422 990 04 01	GS33662•	6
Engine Valve Cover Gasket Set		442 016 07 21	VS50633•	6
Engine Valve Stem Seal Set	Intake And Exhaust	422 053 01 96	SS46053•	12
Engine Intake Manifold Gasket Set		442 141 17 80	MS19860•	6
Exhaust Manifold Gasket Set		403 142 03 80	MS19861•	6
Engine Oil Pan Gasket Set		447 014 00 22	OS32413•	1

PART	NOTES	OE INTERCHANGE NUMBER	PART NUMBER	PER ENGINE QTY
13 (cont.)	5.0390" 11970 CC (12.0L) 6 Cyl / 12 Valves OM 447 Series			13 (cont.)

Engine Gaskets (cont.)

Engine Timing Cover Seal		014 997 46 47	67960•	1
Rear Main Seal		013 997 14 47	67959•	1

Bearings

Connecting Rod Bearing Set		A457 030 06 60	CB-1901P	1
Main Bearing Set		A460 030 0040	MS-2332P•	1
Camshaft Bearing Set		476 050 00 51	SH-2131S	1
Piston Pin Bushing		476 038 00 50	223-3683•	6

Filters

Oil filter element		0001843825 0021847725	OX 69D	1
Fuel filter element		0000901451	KX 65D ECO	1

14	5.0390" 11967 CC (12.0L) 6 Cyl / 24 Valves OM 457 Series			14
-----------	--	--	--	-----------

Cylinder Components

Cylinder Sleeve Assembly	17.25:1 CR, Piston With Compression Height 90.05MM, Chamber Depth 18.00MM, Total Length 140.05MM	See Note	226-2086•	6
--------------------------	--	----------	------------------	---

Engine Gaskets

Engine Cylinder Head Gasket Set	Cast Steel Valve Cover	457 010 31 20	HS54885	6
Engine Conversion Gasket Set		457 010 01 05	CS54863	1
Engine Cylinder Head Gasket		457 016 11 20	54742	6
Engine Cylinder Head Bolt Set		457 990 02 01	GS33663•	6
Engine Valve Cover Gasket Set	Cast Steel Valve Cover	457 016 00 21	VS50634•	6
	Plastic Valve Cover	457 016 01 21	VS50635•	6
Engine Valve Stem Seal Set	Intake And Exhaust	000 053 35 58	SS46054•	24
Engine Intake Manifold Gasket Set		457 141 00 80	MS19862•	6
		457 142 01 80	MS19863•	6
Exhaust Manifold Gasket Set		541 142 04 80	MS19864•	6
Engine Oil Pan Gasket Set		447 014 00 22	OS32413•	1
Engine Timing Cover Seal		014 997 46 47	67960•	1
Rear Main Seal		013 997 14 47	67959•	1

Bearings

Connecting Rod Bearing Set		A457 030 1160	CB-1951P(6)	1
Main Bearing Set		A460 030 0040	MS-2332P•	1
Piston Pin Bushing		541 038 00 50	223-3684•	1

PART	NOTES	OE INTERCHANGE NUMBER	PART NUMBER	PER ENGINE QTY
14 (cont.)	5.0390" 11967 CC (12.0L) 6 Cyl / 24 Valves OM 457 Series			14 (cont.)
Filters				
Oil filter element		A0001802909	OX 348D ECO	1
Fuel filter element		4570900051	KX 80D ECO	1

MERCEDES-BENZ CYLINDER SLEEVE ASSEMBLY COMPONENT INTERCHANGES

MAHLE

Bore	Part No.	OE Interchange Number	Qty
3.839 226-2079			
Cylinder Sleeve:	226-4609	352 011 16 10	1
Piston:	224-3836	366 037 02 01	1
Ring Set:	S42159	366 030 00 24	1
		376 030 02 24	1
		366 030 00 24	
		376 030 02 24	
3.839 226-2080			
Cylinder Sleeve:	226-4609	352 011 16 10	1
Piston:	224-3837	366 037 73 01	1
Ring Set:	S42159	366 030 00 24	1
		376 030 02 24	1
		366 030 00 24	
		376 030 02 24	
3.839 226-2081			
Cylinder Sleeve:	226-4609	352 011 16 10	1
Piston:	224-3839	366 037 97 01	1
Ring Set:	S42159	366 030 00 24	1
		376 030 02 24	1
		366 030 00 24	
		376 030 02 24	
3.839 226-2082			
Cylinder Sleeve:	226-4609	352 011 16 10	1
Piston:	224-3838		1
Ring Set:	S42159	366 030 00 24	1
		376 030 02 24	1
		366 030 00 24	
		376 030 02 24	
4.016 226-2083			
Cylinder Sleeve:	226-4606	906 011 01 10	1
Piston:	224-3841		1
Ring Set:	42210	003 030 97 24	1
4.016 226-2084			
Cylinder Sleeve:	226-4606	906 011 01 10	1
Piston:	224-3842		1
Ring Set:	42210	003 030 97 24	1
5.039 226-2085			
Cylinder Sleeve:	226-4607	447 011 01 10	1
		447 011 02 10	
Piston:	224-3840		1
Ring Set:	S42220		1

MAHLE
ORIGINAL

LEVITE

VICTOR REINZ
Sealing Products

Model	Series	No. Cyls.	CID	Liter	Bore / Stroke	Line No.
D12A 340		6		12.1	5.2 / 0	1
D12B		6		12.1	5.2 / 0	2
D12A 380		6		12.1	5.2 / 0	1
D12A 420		6		12.1	5.2 / 0	1

LINE #	NOTES	PART DESCRIPTION	OVERHAUL	QTY	IN-FRAME	QTY
1	5.1570" 12100 CC (12.1L) 6 Cyl / 24 Valves Engine Codes: 'D12A 340, D12A 380, D12A 420'					1
1.1	Contains OE# 20 364 480 Piston With Rings And 16 778 74 Liner OE Rod Bearing Number(s) 276 134 OE Main Bearing Number(s) 205 309 16	Kit Number	480-1015	480-5015		
		Cylinder Sleeve Assembly	226-2027	6	226-2027	6
		Connecting Rod Bearing	CB-1885P	6	CB-1885P	6
		Undersizes	P-25MM-50MM		P-25MM-50MM	
		Main Bearing Set	MS-2277P	1	MS-2277P	1
		Undersizes	P-25MM-50MM		P-25MM-50MM	
		Thrust Washer Set	TW-685S	1	TW-685S	1
		Engine Cylinder Head Gasket Set	HS54637	1	HS54637	1
		Engine Conversion Gasket Set / Engine Oil Pan Gasket Set	CS54637	1	OS32295	1
2	5.1570" 12100 CC (12.1L) 6 Cyl Engine Code: 'D12B'					2
2.1	Contains OE# 205 219 49 Sleeve Assembly, 204 985 44 Liner OE Rod Bearing Number(s) 276 134 OE Main Bearing Number(s) 205 309 16	Kit Number	480-1016	480-5016		
		Cylinder Sleeve Assembly	226-2028	6	226-2028	6
		Connecting Rod Bearing	CB-1885P	6	CB-1885P	6
		Undersizes	P-25MM-50MM		P-25MM-50MM	
		Main Bearing Set	MS-2277P	1	MS-2277P	1
		Undersizes	P-25MM-50MM		P-25MM-50MM	
		Thrust Washer Set	TW-685S	1	TW-685S	1
		Engine Cylinder Head Gasket Set	HS54637A	1	HS54637A	1
		Engine Conversion Gasket Set / Engine Oil Pan Gasket Set	CS54637A	1	OS32295	1

Model	Series	No. Cyls.	CID	Liter	Bore / Stroke	Line No.
TID 121 LP		6	12	5.1 / 0		1
TID 121 LG		6	12	5.1 / 0		1
TID 121 KP		6	12	5.1 / 0		1
TID 121 KG		6	12	5.1 / 0		1
TID 121 B		6	12	5.1 / 0		1
TID 121 P		6	12	5.1 / 0		1
TID 121 KGP		6	12	5.1 / 0		1
TID 121 KPB		6	12	5.1 / 0		1
TID 121 LPB		6	12	5.1 / 0		1
TID 121 LGP		6	12	5.1 / 0		1
D12C 460		6	12.1	5.2 / 0		2
D12C 420		6	12.1	5.2 / 0		3
D12A 340		6	12.1	5.2 / 0		4
D12D 500		6	12.1	5.2 / 0		5
D12B		6	12.1	5.2 / 0		6
D12C 380		6	12.1	5.2 / 0		7
DH12D 340		6	12.1	5.2 / 0		8
D12C 340		6	12.1	5.2 / 0		9
D12D 460		6	12.1	5.2 / 0		10
D12D 380		6	12.1	5.2 / 0		11
D12D 420		6	12.1	5.2 / 0		12
DH12E 340		6	12.1	5.2 / 0		13
D12A 380		6	12.1	5.2 / 0		4
D12A 420		6	12.1	5.2 / 0		4

PART	NOTES	OE INTERCHANGE NUMBER	PART NUMBER	PER ENGINE QTY
1	5.1250" 11979 CC (12.0L) 6 Cyl Engine Codes: 'TID 121 B, TID 121 KG, TID 121 KGP, TID 121 KP, TID 121 KPB, TID 121 LG, TID 121 LGP, TID 121 LP, TID 121 LPB, TID 121 P'			1
Cylinder Components				
Cylinder Sleeve Assembly	Equivalent to OE# 876 189 And 876 233	Exclusive	226-2087•	6
2	5.1570" 12100 CC (12.1L) 6 Cyl Engine Code: 'D12C 460'			2
Cylinder Components				
Cylinder Sleeve		204 985 44	226-4581•	6
Ring Set		205 099 32 276 949	S42119	6
Engine Gaskets				
Engine Cylinder Head Gasket Set		3 092 642	HS54637A•	1
Engine Conversion Gasket Set		85 103 632	CS54637A•	1
Engine Cylinder Head Gasket		3 099 100	54637•	1
Engine Valve Cover Gasket Set		8 170 116	VS50457•	1
Engine Valve Stem Seal Set	Intake And Exhaust	859 171	B45984•	24
	Intake And Exhaust, 12 Per Package	20 459 855	SS46059•	2
Intake and Exhaust Manifolds Combination Gasket		3 092 641	MS19472•	1
Engine Oil Pan Gasket Set		1 547 567	OS32295•	1
Filters				
Spin-on oil filter		466634 4666343 6884417	OC 121	1
		21707132 4713921 4713982 477556 4775565	OC 282	1
		21707133 478362 478736 4787362	OC 370	1
Spin-on fuel filter		420799 4207999 8193841	KC 75	1
3	5.1570" 12100 CC (12.1L) 6 Cyl / 24 Valves Engine Code: 'D12C 420'			3
Cylinder Components				
Cylinder Sleeve		204 985 44	226-4581•	6
Ring Set		205 099 32 276 949	S42119	6
Engine Gaskets				
Engine Cylinder Head Gasket Set		3 092 642	HS54637A•	1

PART	NOTES	OE INTERCHANGE NUMBER	PART NUMBER	PER ENGINE QTY
3 (cont.)	5.1570" 12100 CC (12.1L) 6 Cyl / 24 Valves Engine Code: 'D12C 420'			3 (cont.)

Engine Gaskets (cont.)

Engine Conversion Gasket Set		85 103 632	CS54637A•	1
Engine Cylinder Head Gasket		3 099 100	54637•	1
Engine Valve Cover Gasket Set		8 170 116	VS50457•	1
Engine Valve Stem Seal Set	Intake And Exhaust	859 171	B45984•	24
	Intake And Exhaust, 12 Per Package	20 459 855	SS46059•	2
Intake and Exhaust Manifolds Combination Gasket		3 092 641	MS19472•	1
Engine Oil Pan Gasket Set		1 547 567	OS32295•	1

Filters

Spin-on oil filter		466634 4666343 6884417	OC 121	1
		21707132 4713921 4713982 477556 4775565	OC 282	1
		21707133 478362 478736 4787362	OC 370	1
Spin-on fuel filter		420799 4207999 8193841	KC 75	1

4	5.1570" 12100 CC (12.1L) 6 Cyl / 24 Valves Engine Codes: 'D12A 340, D12A 380, D12A 420'			4
----------	---	--	--	----------

Cylinder Components

Cylinder Sleeve Assembly	Contains OE# 20-364-480 Piston With Rings And 16-778-74 Liner	Exclusive	226-2027•	6
Ring Set		205 099 32 276 949	S42119	6

Engine Gaskets

Engine Cylinder Head Gasket Set		276 875	HS54637•	1
Engine Conversion Gasket Set		276 888	CS54637•	1
Engine Valve Cover Gasket Set		1 547 594	VS50456•	1
Engine Valve Stem Seal Set	Intake And Exhaust	859 171	B45984•	24
	Intake And Exhaust, 12 Per Package	20 459 855	SS46059•	2
Intake and Exhaust Manifolds Combination Gasket		276 930	MS19471•	1
Engine Oil Pan Gasket Set		1 547 567	OS32295•	1
Rear Main Seal		1 543 896	67804	1

PART	NOTES	OE INTERCHANGE NUMBER	PART NUMBER	PER ENGINE QTY
4 (cont.)	5.1570" 12100 CC (12.1L) 6 Cyl / 24 Valves Engine Codes: 'D12A 340, D12A 380, D12A 420'			4 (cont.)

Bearings

Connecting Rod Bearing		276 134	CB-1885P	6
		276 135	CB-1885P-.25MM	
		276 136	CB-1885P-.50MM	
Main Bearing Set		205 309 16	MS-2277P•	1
		20578624	MS-2277P-.25MM	
		20578625	MS-2277P-.50MM	
Thrust Washer Set		309 365 1	TW-685S	1
Camshaft Bearing Set		204 942 59	SH-2126S	1
Piston Pin Bushing	Supersedes To 223-3694	See Note	223-3687	6
		470 304	223-3693•	6
		20381185	223-3694•	6

Valve Train & Ancillary

Valve (Exhaust)		814 857 4	211-4290	12
-----------------	--	-----------	-----------------	----

Filters

Spin-on oil filter		466634 4666343 6884417	OC 121	1
		21707132 4713921 4713982 477556 4775565	OC 282	1
		21707133 478362 478736 4787362	OC 370	1
Spin-on fuel filter		420799 4207999 8193841	KC 75	1

5	5.1570" 12100 CC (12.1L) 6 Cyl / 24 Valves Engine Code: 'D12D 500'			5
----------	--	--	--	----------

Cylinder Components

Cylinder Sleeve		204 985 44	226-4581•	6
Ring Set		205 099 32 276 949	S42119	6

Engine Gaskets

Engine Cylinder Head Gasket Set		3 092 642	HS54637A•	1
Engine Cylinder Head Gasket		3 099 100	54637•	1
Engine Valve Cover Gasket Set		8 170 116	VS50457•	1
Engine Valve Stem Seal Set	Intake And Exhaust	859 171	B45984•	24
	Intake And Exhaust, 12 Per Package	20 459 855	SS46059•	2
Intake and Exhaust Manifolds Combination Gasket		3 092 641	MS19472•	1
Engine Oil Pan Gasket Set		1 547 567	OS32295•	1

PART	NOTES	OE INTERCHANGE NUMBER	PART NUMBER	PER ENGINE QTY
5 (cont.)	5.1570" 12100 CC (12.1L) 6 Cyl / 24 Valves Engine Code: 'D12D 500'			5 (cont.)

Filters

Spin-on oil filter		466634 4666343 6884417	OC 121	1
		21707132 4713921 4713982 477556 4775565	OC 282	1
		21707133 478362 478736 4787362	OC 370	1
Spin-on fuel filter		2043075-1	KC 251	1

6	5.1570" 12100 CC (12.1L) 6 Cyl Engine Code: 'D12B'			6
----------	--	--	--	----------

Cylinder Components

Cylinder Sleeve		204 985 44	226-4581•	6
Ring Set		205 099 32 276 949	S42119	6

Engine Gaskets

Engine Valve Stem Seal Set	Intake And Exhaust, 12 Per Package	20 459 855	SS46059•	2
----------------------------	------------------------------------	------------	----------	---

Valve Train & Ancillary

Valve (Exhaust)		814 857 4	211-4290	12
-----------------	--	-----------	----------	----

7	5.1570" 12100 CC (12.1L) 6 Cyl Engine Code: 'D12C 380'			7
----------	--	--	--	----------

Engine Gaskets

Engine Cylinder Head Gasket Set		3 092 642	HS54637A•	1
Engine Conversion Gasket Set		85 103 632	CS54637A•	1
Engine Cylinder Head Gasket		3 099 100	54637•	1
Engine Valve Cover Gasket Set		8 170 116	VS50457•	1
Engine Valve Stem Seal Set	Intake And Exhaust	859 171	B45984•	24
	Intake And Exhaust, 12 Per Package	20 459 855	SS46059•	2
Intake and Exhaust Manifolds Combination Gasket		3 092 641	MS19472•	1
Engine Oil Pan Gasket Set		1 547 567	OS32295•	1

Filters

Spin-on oil filter		466634 4666343 6884417	OC 121	1
		21707132 4713921 4713982 477556 4775565	OC 282	1

PART	NOTES	OE INTERCHANGE NUMBER	PART NUMBER	PER ENGINE QTY
7 (cont.)	5.1570" 12100 CC (12.1L) 6 Cyl Engine Code: 'D12C 380'			7 (cont.)

Filters (cont.)

Spin-on oil filter (cont.)		21707133 478362 478736 4787362	OC 370	1
Spin-on fuel filter		420799 4207999 8193841	KC 75	1

8	5.1570" 12100 CC (12.1L) 6 Cyl / 24 Valves Engine Code: 'DH12D 340'			8
----------	---	--	--	----------

Cylinder Components

Cylinder Sleeve Assembly	Covers OE# 205 219 49 Sleeve Assembly And 204 985 44 Liner	Exclusive	226-2028•	6
Cylinder Sleeve		204 985 44	226-4581•	6

9	5.1570" 12100 CC (12.1L) 6 Cyl / 24 Valves Engine Code: 'D12C 340'			9
----------	--	--	--	----------

Engine Gaskets

Engine Cylinder Head Gasket Set		3 092 642	HS54637A•	1
Engine Conversion Gasket Set		85 103 632	CS54637A•	1
Engine Cylinder Head Gasket		3 099 100	54637•	1
Engine Valve Cover Gasket Set		8 170 116	VS50457•	1
Engine Valve Stem Seal Set	Intake And Exhaust	859 171	B45984•	24
	Intake And Exhaust, 12 Per Package	20 459 855	SS46059•	2
Intake and Exhaust Manifolds Combination Gasket		3 092 641	MS19472•	1
Engine Oil Pan Gasket Set		1 547 567	OS32295•	1

Filters

Spin-on oil filter		466634 4666343 6884417	OC 121	1
		21707132 4713921 4713982 477556 4775565	OC 282	1
		21707133 478362 478736 4787362	OC 370	1
Spin-on fuel filter		420799 4207999 8193841	KC 75	1

PART	NOTES	OE INTERCHANGE NUMBER	PART NUMBER	PER ENGINE QTY
10	5.1570" 12100 CC (12.1L) 6 Cyl / 24 Valves Engine Code: 'D12D 460'			10

Cylinder Components

Cylinder Sleeve		204 985 44	226-4581•	6
Ring Set		205 099 32 276 949	S42119	6

Engine Gaskets

Engine Cylinder Head Gasket Set		3 092 642	HS54637A•	1
Engine Conversion Gasket Set		85 103 632	CS54637A•	1
Engine Cylinder Head Gasket		3 099 100	54637•	1
Engine Valve Cover Gasket Set		8 170 116	VS50457•	1
Engine Valve Stem Seal Set	Intake And Exhaust	859 171	B45984•	24
	Intake And Exhaust, 12 Per Package	20 459 855	SS46059•	2
Intake and Exhaust Manifolds Combination Gasket		3 092 641	MS19472•	1
Engine Oil Pan Gasket Set		1 547 567	OS32295•	1

Filters

Spin-on oil filter		466634 4666343 6884417	OC 121	1
		21707132 4713921 4713982 477556 4775565	OC 282	1
		21707133 478362 478736 4787362	OC 370	1
Spin-on fuel filter		420799 4207999 8193841	KC 75	1

11	5.1570" 12100 CC (12.1L) 6 Cyl / 24 Valves Engine Code: 'D12D 380'			11
-----------	--	--	--	-----------

Cylinder Components

Cylinder Sleeve		204 985 44	226-4581•	6
Ring Set		205 099 32 276 949	S42119	6

Engine Gaskets

Engine Cylinder Head Gasket Set		3 092 642	HS54637A•	1
Engine Conversion Gasket Set		85 103 632	CS54637A•	1
Engine Valve Stem Seal Set	Intake And Exhaust	859 171	B45984•	24
Intake and Exhaust Manifolds Combination Gasket		3 092 641	MS19472•	1
Engine Oil Pan Gasket Set		1 547 567	OS32295•	1

PART	NOTES	OE INTERCHANGE NUMBER	PART NUMBER	PER ENGINE QTY
11 (cont.)	5.1570" 12100 CC (12.1L) 6 Cyl / 24 Valves Engine Code: 'D12D 380'			11 (cont.)

Filters

Spin-on oil filter		466634 4666343 6884417	OC 121	1
		21707132 4713921 4713982 477556 4775565	OC 282	1
		21707133 478362 478736 4787362	OC 370	1
Spin-on fuel filter		420799 4207999 8193841	KC 75	1

12	5.1570" 12100 CC (12.1L) 6 Cyl / 24 Valves Engine Code: 'D12D 420'			12
-----------	--	--	--	-----------

Cylinder Components

Cylinder Sleeve		204 985 44	226-4581•	6
Ring Set		205 099 32 276 949	S42119	6

Engine Gaskets

Engine Cylinder Head Gasket Set		3 092 642	HS54637A•	1
Engine Conversion Gasket Set		85 103 632	CS54637A•	1
Engine Valve Stem Seal Set	Intake And Exhaust	859 171	B45984•	24
Intake and Exhaust Manifolds Combination Gasket		3 092 641	MS19472•	1
Engine Oil Pan Gasket Set		1 547 567	OS32295•	1

Filters

Spin-on oil filter		466634 4666343 6884417	OC 121	1
		21707132 4713921 4713982 477556 4775565	OC 282	1
		21707133 478362 478736 4787362	OC 370	1
Spin-on fuel filter		420799 4207999 8193841	KC 75	1

13	5.1570" 12100 CC (12.1L) 6 Cyl / 24 Valves Engine Code: 'DH12E 340'			13
-----------	---	--	--	-----------

Cylinder Components

Cylinder Sleeve Assembly	Covers OE# 205 219 49 Sleeve Assembly And 204 985 44 Liner	Exclusive	226-2028•	6
--------------------------	--	-----------	------------------	---

PART	NOTES	OE INTERCHANGE NUMBER	PART NUMBER	PER ENGINE QTY
13 (cont.)	5.1570" 12100 CC (12.1L) 6 Cyl / 24 Valves Engine Code: 'DH12E 340'			13 (cont.)
Cylinder Components (cont.)				
Cylinder Sleeve		204 985 44	226-4581•	6

Bore Diameter	Length	3/32" O.D. Wall	Part Number	1/8" O.D. Wall	Part Number
3.9630	6.7500	4.2545	226-8138		
4.0000	6.7500	4.3795	226-8137		
4.2000	8.2500	4.3620	226-8072		
4.3125	12.2500			4.5655	226-8143
5.0000	12.7500			5.2530	226-8149
5.5000	10.2500			5.7540	226-8164

Part Number	Plug Size (Decimal)	Plug Size	Plug Height	Plug Type	Material
219-9441	0.125	1/8	0.34	Thread Type (Square)	Steel
219-9618	0.125	1/8	0.3	Thread Type (Hex)	Steel
219-9900	0.125	1/8	0.375	Thread Type (Slotted)	Steel
219-9440	0.250	1/4	0.375	Thread Type (Hex)	Steel
219-9573	0.250	1/4	0.375	Thread Type (Hex)	Steel
219-9901	0.250	1/4	0.46	Thread Type (Hex)	Steel
219-9902	0.250	1/4	0.46	Thread Type (Hex)	Steel
219-9903	0.250	1/4	0.5	Thread Type (Square)	Steel
219-2166	0.260	1/4	0.135	Cup Type (Shallow)	Steel
219-3105	0.273	17/64	0.2	Cup Type (Deep)	Steel
219-3128	0.313	5/16	0.296	Cup Type (Deep)	Steel
219-2162	0.317	5/16	0.205	Cup Type (Deep)	Steel
219-3189	0.317	5/16	0.205	Cup Type (Deep)	Steel
219-9443	0.375	3/8	0.375	Thread Type (Hex)	Steel
219-9904	0.375	3/8	0.36	Thread Type (Hex)	Steel
219-2185	0.383	3/8	0.16	Cup Type (Deep)	Steel
219-3188	0.404	25/64	0.265	Cup Type (Deep)	Steel
219-1037	0.438	7/16		Disc Type	Steel
219-3093	0.439	7/16	0.156	Cup Type (Deep)	Steel
219-2156	0.442	11mm	0.191	Cup Type (Shallow)	Steel
219-3088	0.446	29/64	0.203	Cup Type (Deep)	Steel
219-2160	0.455	11.5mm	0.21	Cup Type (Shallow)	Steel
219-3193	0.473	15/32	0.265	Cup Type (Deep)	Steel
219-2165	0.475	15/32	0.2	Cup Type (Shallow)	Steel
219-1046	0.500	1/2		Disc Type	Steel
219-9444	0.500	1/2	0.5	Thread Type (Hex)	Steel
219-3169	0.510	1/2	0.258	Cup Type (Deep)	Steel
219-3087	0.515	33/64	0.187	Cup Type (Deep)	Steel
219-3095	0.526	1/2	0.312	Cup Type (Deep)	Steel
219-8095	0.526	1/2	0.312	Cup Type (Deep)	Brass
219-3097	0.539	35/64	0.25	Cup Type (Deep)	Steel
219-2098	0.541	35/64	0.187	Cup Type (Shallow)	Steel
219-2164	0.562	9/16	0.196	Cup Type (Shallow)	Steel
219-1047	0.563	9/16		Disc Type	Steel
219-2163	0.567	14.4mm	0.265	Cup Type (Shallow)	Steel
219-3184	0.567	37/64	0.35	Cup Type (Deep)	Steel
219-3048	0.571	9/16	0.25	Cup Type (Deep)	Steel
219-8048	0.571	9/16	0.25	Cup Type (Deep)	Brass
219-2189	0.576	14.5mm	0.218	Cup Type (Shallow)	Steel
219-3054	0.592	19/32	0.281	Cup Type (Deep)	Steel
219-1002	0.625	5/8		Disc Type	Steel
219-1136	0.630	16mm		Disc Type	Steel
219-3052	0.630	5/8	0.25	Cup Type (Deep)	Steel
219-2169	0.631	5/8	0.19	Cup Type (Shallow)	Steel
219-2167	0.635	5/8	0.235	Cup Type (Shallow)	Steel
219-3178	0.642	16.5mm	0.358	Cup Type (Deep)	Steel
219-2188	0.662	21/32	0.235	Cup Type (Deep)	Steel
219-1045	0.688	11/16		Disc Type	Steel
219-3144	0.695	11/16	0.25	Cup Type (Deep)	Steel
219-1135	0.709	18mm		Disc Type	Steel

Part Number	Plug Size (Decimal)	Plug Size	Plug Height	Plug Type	Material
219-2153	0.717	18mm	0.235	Cup Type (Shallow)	Steel
219-5038	0.748	3/4	0.246	Cup Type (Deep)	Stainless Steel
219-8038	0.748	3/4	0.25	Cup Type (Deep)	Brass
219-1003	0.750	3/4		Disc Type	Steel
219-3038	0.750	3/4	0.265	Cup Type (Deep)	Steel
219-6003	0.751	3/4		Disc Type	Brass
219-2180	0.795	20mm	0.312	Cup Type (Shallow)	Steel
219-2151	0.798	20mm	0.238	Cup Type (Shallow)	Steel
219-7151	0.798	20mm	0.238	Cup Type (Shallow)	Brass
219-3200	0.812	13/16	0.312	Cup Type (Deep)	Steel
219-2190	0.823	13/16	0.237	Cup Type (Shallow)	Steel
219-1132	0.827	21mm		Disc Type	Steel
219-3190	0.829	21mm	0.315	Cup Type (Deep)	Steel
219-1006	0.875	7/8		Disc Type	Steel
219-3029	0.888	7/8	0.312	Cup Type (Deep)	Steel
219-5029	0.888	7/8	0.25	Cup Type (Deep)	Stainless Steel
219-8029	0.888	7/8	0.312	Cup Type (Deep)	Brass
219-3072	0.912	29/32	0.39	Cup Type (Deep)	Steel
219-1007	0.938	1-5/16		Disc Type	Steel
219-3039	0.945	15/16	0.375	Cup Type (Deep)	Steel
219-8039	0.945	15/16	0.375	Cup Type (Deep)	Brass
219-2152	0.994	25mm	0.274	Cup Type (Shallow)	Steel
219-2158	0.996	25mm	0.27	Cup Type (Shallow)	Steel
219-7152	0.996	25mm	0.27	Cup Type (Shallow)	Brass
219-1008	1.000	1		Disc Type	Steel
219-5016	1.000	1	0.33	Cup Type (Deep)	Stainless Steel
219-8016	1.009	1	0.281	Cup Type (Deep)	Brass
219-3191	1.030	26mm		Cup Type (Deep)	Steel
219-1009	1.063	1-1/16		Disc Type	Steel
219-3174	1.073	1-5/64	0.28	Cup Type (Deep)	Steel
219-2168	1.115	28mm	0.341	Cup Type (Shallow)	Steel
219-7168	1.115	28mm	0.341	Cup Type (Deep)	Brass
219-1010	1.125	1-1/8		Disc Type	Steel
219-6010	1.126	1-1/8		Disc Type	Brass
219-3025	1.133	1-1/8	0.437	Cup Type (Deep)	Steel
219-8025	1.133	1-1/8	0.437	Cup Type (Deep)	Brass
219-5025	1.137	1-1/8	0.33	Cup Type (Deep)	Stainless Steel
219-1021	1.188	1-3/16		Disc Type	Steel
219-3172	1.195	30mm	0.32	Cup Type (Deep)	Steel
219-8172	1.195	30mm	0.32	Cup Type (Deep)	Brass
219-3134	1.201	1-13/64	0.42	Cup Type (Deep)	Steel
219-3017	1.228	1-7/32	0.531	Cup Type (Deep)	Steel
219-8017	1.228	1-7/32	0.531	Cup Type (Deep)	Brass
219-1011	1.250	1-1/4		Disc Type	Steel
219-3099	1.250	1-1/4	0.341	Cup Type (Deep)	Steel
219-4005	1.250	1-1/4		EZ-Seal Type (Rubber)	Rubber
219-6011	1.251	1-1/4		Disc Type	Brass
219-8204	1.255	1-1/4	0.437	Cup Type (Deep)	Brass
219-5110	1.260	1-1/4	0.325	Cup Type (Deep)	Steel
219-7110	1.260	1-1/4	0.312	Cup Type (Shallow)	Brass

Part Number	Plug Size (Decimal)	Plug Size	Plug Height	Plug Type	Material
219-3173	1.272	32mm	0.4	Cup Type (Deep)	Steel
219-8173	1.272	32mm	0.4	Cup Type (Deep)	Brass
219-1023	1.313	1-5/16		Disc Type	Steel
219-2127	1.323	1-21/64	0.281	Cup Type (Shallow)	Steel
219-2186	1.335	1-21/64	0.3	Cup Type (Deep)	Steel
219-3179	1.348	34.3mm	0.5	Cup Type (Deep)	Steel
219-8179	1.348	34.3mm	0.5	Cup Type (Deep)	Brass
219-1012	1.375	1-3/8		Disc Type	Steel
219-6012	1.378	1-3/8		Disc Type	Brass
219-2193	1.385	1-3/8	0.34	Cup Type (Shallow)	Steel
219-3080	1.385	1-3/8	0.5	Cup Type (Deep)	Steel
219-8080	1.385	1-3/8	0.5	Cup Type (Deep)	Brass
219-2182	1.448	1-7/16	0.431	Cup Type (Deep)	Steel
219-3187	1.448	36.5mm	0.397	Cup Type (Deep)	Steel
219-1102	1.484	1-31/64		Disc Type	Steel
219-6102	1.487	1-31/64		Disc Type	Brass
219-1013	1.500	1-1/2		Disc Type	Steel
219-2184	1.507	38mm	0.312	Cup Type (Shallow)	Steel
219-6013	1.507	1-1/2		Disc Type	Brass
219-8133	1.507	1-1/2	0.325	Cup Type (Deep)	Brass
219-8184	1.507	38mm	0.312	Cup Type (Deep)	Brass
219-3085	1.508	1-1/2	0.625	Cup Type (Deep)	Steel
219-5133	1.509	1-1/2	0.31	Cup Type (Deep)	Stainless Steel
219-3030	1.517	1-1/2	0.375	Cup Type (Deep)	Steel
219-2181	1.571	1-9/16	0.305	Cup Type (Deep)	Steel
219-1134	1.575	40mm		Disc Type	Steel
219-2159	1.585	40mm	0.283	Cup Type (Shallow)	Steel
219-3199	1.587	41mm	0.47	Cup Type (Deep)	Steel
219-3176	1.590	40mm	0.456	Cup Type (Deep)	Steel
219-8176	1.590	40mm	0.456	Cup Type (Deep)	Brass
219-1014	1.625	1-5/8		Disc Type	Steel
219-6014	1.628	1-5/8		Disc Type	Brass
219-3186	1.633	41.5mm	0.343	Cup Type (Deep)	Steel
219-3041	1.635	1-5/8	0.593	Cup Type (Deep)	Steel
219-5126	1.635	1-5/8	0.593	Cup Type (Deep)	Stainless Steel
219-8041	1.635	1-5/8	0.593	Cup Type (Deep)	Brass
219-2183	1.638	1-41/64	0.35	Cup Type (Deep)	Steel
219-7183	1.638	1-41/64	0.35	Cup Type (Shallow)	Brass
219-2126	1.640	1-5/8	0.365	Cup Type (Shallow)	Steel
219-7126	1.640	1-5/8	0.365	Cup Type (Shallow)	Brass
219-3196	1.663	42.3mm	0.519	Cup Type (Deep)	Steel
219-8196	1.663	42.3mm	0.519	Cup Type (Deep)	Brass
219-3177	1.675	42.6mm	0.378	Cup Type (Deep)	Steel
219-1015	1.750	1-3/4		Disc Type	Steel
219-6015	1.753	1-3/4		Disc Type	Brass
219-2057	1.758	1-3/4	0.25	Cup Type (Shallow)	Steel
219-8075	1.758	1-3/4	0.363	Cup Type (Deep)	Brass
219-3198	1.765	1-49/64	0.406	Cup Type (Deep)	Steel
219-8175	1.788	45mm	0.47	Cup Type (Deep)	Brass
219-2096	1.802	1-51/64	0.25	Cup Type (Shallow)	Steel

Part Number	Plug Size (Decimal)	Plug Size	Plug Height	Plug Type	Material
219-2173	1.825	1-53/64	0.35	Cup Type (Shallow)	Steel
219-7155	1.843	46.5mm	0.29	Cup Type (Shallow)	Brass
219-1020	1.875	1-7/8		Disc Type	Steel
219-3180	1.883	1-7/8	0.473	Cup Type (Deep)	Steel
219-2161	1.885	1-7/8	0.265	Cup Type (Deep)	Steel
219-3050	1.888	1-7/8	0.447	Cup Type (Deep)	Steel
219-8050	1.888	1-7/8	0.447	Cup Type (Deep)	Brass
219-3167	1.901	1-29/32	0.6	Cup Type (Deep)	Steel
219-2172	1.921	1-59/64	0.235	Cup Type (Shallow)	Steel
219-1043	1.938	1-15/16		Disc Type	Steel
219-3040	1.943	1-15/16	0.8	Cup Type (Deep)	Steel
219-8040	1.943	1-15/16	0.8	Cup Type (Deep)	Brass
219-2196	1.956	1-61/64	0.718	Cup Type (Deep)	Steel
219-8042	1.956	1-61/64	0.718	Cup Type (Deep)	Brass
219-3185	1.975	50mm	0.596	Cup Type (Deep)	Steel
219-2058	1.978	1-31/32	0.218	Cup Type (Shallow)	Steel
219-8170	1.985	50mm	0.474	Cup Type (Deep)	Brass
219-1026	2.000	2		Disc Type	Steel
219-3194	2.003	2	0.415	Cup Type (Deep)	Steel
219-6026	2.003	2		Disc Type	Brass
219-5066	2.005	2	0.35	Cup Type (Deep)	Steel
219-2083	2.013	2-1/64	0.24	Cup Type (Shallow)	Steel
219-3069	2.017	2-1/64	0.59	Cup Type (Deep)	Steel
219-2059	2.062	2-1/16	0.343	Cup Type (Shallow)	Steel
219-7059	2.062	2-1/16	0.343	Cup Type (Shallow)	Brass
219-1068	2.063	2-1/16		Disc Type	Steel
219-3112	2.065	2-1/16	0.51	Cup Type (Deep)	Steel
219-2078	2.101	2-7/64	0.296	Cup Type (Shallow)	Steel
219-1044	2.125	2-1/8		Disc Type	Steel
219-2170	2.135	2-9/64	0.36	Cup Type (Shallow)	Steel
219-3084	2.146	2-9/64	0.6	Cup Type (Deep)	Steel
219-2071	2.148	2-5/32	0.328	Cup Type (Shallow)	Steel
219-3195	2.156	2-5/32	0.358	Cup Type (Deep)	Steel
219-7074	2.181	2-3/16	0.343	Cup Type (Shallow)	Brass
219-1022	2.250	2-1/4		Disc Type	Steel
219-3081	2.258	2-1/4	0.812	Cup Type (Deep)	Steel
219-2157	2.262	2-1/4	0.35	Cup Type (Shallow)	Steel
219-1137	2.280	2.280		Disc Type	Steel
219-3092	2.390	2-25/64	0.31	Cup Type (Deep)	Steel
219-3132	2.497	2-1/2	0.495	Cup Type (Deep)	Steel
219-2194	2.500	2-1/2	0.411	Cup Type (Shallow)	Steel
219-3089	2.575	2-37/64	0.301	Cup Type (Deep)	Steel

Cylinder Sleeve

Part No.	Bore	Full Length	Sleeve Type	Flange diameter	Firewall	Flange height	Fitting diameter	Sleeve O.D. at Barrel	Sleeve Outer Diameter at Seal
226-4414		11.3450	Wet	6.5650	0.0700	0.3550	6.2970	6.2000	6.1210
226-4415		9.9100	Wet	4.7820	0.0480	0.2530	4.5180	4.4680	4.4855
226-4419		11.9375	Wet	6.1270	0.0700	0.4390	5.8060	5.7500	5.7450
226-4456		8.6200	Wet	6.5025	0.0700	0.3560	6.2300	6.1780	6.1020
226-4464		11.1250	Dry	4.7710	No	0.2510	N/A	4.6255	N/A
226-4465		15.0000	Wet	6.9850	0.0435	0.4990	6.7435	6.5600	6.5350
226-4466		11.1250	Dry	4.7710	No	0.2510	N/A	4.6255	N/A
226-4467		11.0200	Wet	5.5450	0.0470	0.3110	5.3580	5.3350	5.2150
226-4470		11.0200	Wet	5.5450	0.0470	0.3110	5.3585	5.3355	5.2150
226-4486		11.2750	Wet	6.5850	0.0700	0.3755	6.3370	6.2000	6.1210
226-4487		7.7500	Dry		No		4.6900	4.6900	4.6900
226-4493		10.0000	Wet	5.6250	0.0420	0.4050	5.4525	5.3500	5.2900
226-4496		9.3300	Wet	5.2335	0.0480	0.5500	5.2190	5.0000	4.8400
226-4505		15.0000	Wet	7.5000	0.0410	0.5050	7.2430	7.0000	7.0400
226-4506		10.7800	Wet	6.5010	0.0410	0.3500	6.2430	6.1400	6.0530
226-4510		7.7500	Dry		No		4.6900	4.6900	4.6900
226-4518		10.3600	Wet	5.4800	0.0440	0.4040	5.3072	5.1450	5.1880
226-4532		10.6300	Wet	5.6080	0.0440	0.3740	5.4175	5.1400	5.1885
226-4541		8.4400	Wet	4.7300	0.0500	0.3510	4.5370	4.4780	4.2300
226-4542		14.0800	Wet	8.1480	0.0390	0.4980	7.8280	7.6800	7.3470
226-4546		9.4400	Wet	5.7460	0.0480	0.5900	5.4320	N/A	5.4100
226-4547		9.3300	Wet	5.1520	0.0480	0.5500	4.9500	5.0000	4.8400
226-4556		10.9500	Wet	6.1640	0.0445	0.3539	5.8650	5.8200	5.4990
226-4558		10.9500	Wet	6.1640	0.0450	0.3538	5.8650	5.8200	5.4990
226-4559		12.0000	Wet	7.4100	0.0700	0.5270	7.0940	7.0350	6.9790
226-4561		12.0000	Wet	7.4700	0.0700	0.5270	7.0940	7.0350	6.9790
226-4567		9.3800	Wet	5.3100	0.0500	0.3530	5.1210	4.1590	5.0310
226-4606	102.0000mm	8.6610	Wet	4.3110			4.1730		
226-4607		10.6300	Wet	6.0550			5.6890		
226-4609		8.7400	Wet	4.0710			3.9570		
226-4490		7.8750	Dry		No			4.1180	

Cylinder Block Repair Bushing

Part No.	Bore	Inner Diameter	Length
223-3601	6.2550	6.0950	1.7500
223-8133	6.7550	6.2730	0.7510
223-8146	6.6675	0.2460	0.2060
223-8147	6.7550	6.2940	0.7510

Piston

Part No.	Bore	Full Length	Valve Reliefs	Compression Distance	Combustion Chamber Depth	Combustion Chamber Diameter	Pin O.D.
224-1538	5.1250	6.2600	4.0000	4.0125	0.7350	4.2350	1.9989

Material Aluminum
Head Type Bowl



Piston (cont.)

Part No.	Bore	Full Length	Valve Reliefs	Compression Distance	Combustion Chamber Depth	Combustion Chamber Diameter	Pin O.D.
224-1859	4.8750	5.6100	No	3.6980	0.8600	3.2600	1.9988
Material	Aluminum						
224-2091	5.5000	3.9000	No	2.5700	0.4020	3.9370	1.7489
Material	Aluminum						
Head Type	Bowl						
224-2124	4.3750	3.9500	No	2.2475	0.4010	2.9510	1.3739
Material	Aluminum						
224-2144	5.5000	6.2600	2.0000	4.0000	0.8100	3.8290	1.9989
Material	Aluminum						
224-2188	4.5000	3.6700	No	2.3180	0.8280	2.4980	1.5006
Material	Aluminum						
Head Type	Bowl						
224-2197	5.5000	6.2900	4.0000	4.0290	0.8500	4.1900	1.9989
Material	Aluminum						
224-2251	4.2520	3.9800	2.0000	2.3660	0.6520	2.5590	1.4961
Material	Aluminum						
Head Type	Bowl						
224-2252	4.2500	3.9800	2.0000	2.3660	0.7090	2.2930	1.4961
Material	Aluminum						
Head Type	Bowl						
224-2258	4.8750	5.6000	4.0000	3.6980	0.7520	3.5386	1.9980
Material	Aluminum						
224-2260	4.2500	5.9900	No	3.5465			1.5000
Material	Cast Iron						
Head Type	Bowl						
224-2262		6.2790	2.0000	4.0300	0.8140	4.1900	2.0150
Material	Aluminum						
224-2271	4.9210	4.8900		3.1030			2.1250
Material	Aluminum						
224-2272	4.8400	6.0150	No	2.1880	0.5000	3.8050	1.5000
Material	Cast Iron						
Head Type	Bowl						
224-2339		6.2790	2.0000	4.0300	0.8620	4.1900	
Material	Aluminum						
224-2340	5.5000	6.2900	2.0000	4.0300	0.8270	4.1900	1.9989
Material	Aluminum						
224-2341	5.5000	6.2900	4.0000	4.0300	0.7600	4.1900	1.9989
Material	Aluminum						
224-2342	5.5000	6.2900	4.0000	4.0300	0.8100	4.1900	1.9989
Material	Aluminum						
224-2343	5.5000	6.2900	2.0000	4.0300	0.9440	4.1900	1.9989
Material	Aluminum						
224-2344		6.2790	2.0000	4.0300	0.9020	4.1900	
Material	Aluminum						

Piston (cont.)

Part No.	Bore	Full Length	Valve Reliefs	Compression Distance	Combustion Chamber Depth	Combustion Chamber Diameter	Pin O.D.
224-2360	4.2500	5.9600	No	3.5165	0.4400	3.3570	1.4998
Material	Cast Iron						
Head Type	Bowl						
224-2469	4.2500	6.0000	No	3.5150			1.4990
Material	Cast Iron						
Head Type	Bowl						
224-2485	4.2500	6.0300	No	3.5460	0.4420	3.5000	1.4990
Material	Cast Iron						
Head Type	Bowl						
224-2486	3.8750	5.4400	No	3.1710	0.4840	5.7100	1.3750
Material	Cast Iron						
Head Type	Bowl						
224-2568	4.5000	3.6700	No	2.3180	0.8280	2.4980	1.5000
Material	Aluminum						
Head Type	Bowl						
224-2743	5.5000	6.2900	4.0000	4.0300	0.6240	4.0920	1.9989
Material	Aluminum						
224-2818	5.5000	6.2900	4.0000	4.0300	0.7490	4.1900	1.9989
Material	Aluminum						
224-2819	5.5000	6.2900	2.0000	4.0300	0.8840	4.1900	1.9989
Material	Aluminum						
224-2820	5.5000	6.2900	2.0000	4.0300	0.8490	4.1900	1.9989
Material	Aluminum						
224-2821	5.5000	6.2900	2.0000	4.0300	0.9240	4.1900	1.9989
Material	Aluminum						
224-2822	5.5000	6.2900	2.0000	4.0300	0.8140	4.1900	1.9989
Material	Aluminum						
224-2823	5.5000	6.2900	2.0000	4.0300	0.8660	4.1900	1.9989
Material	Aluminum						
224-3012	4.4900	4.7400	no	3.1085	0.9840	2.2030	1.7717
Material	Aluminum						
224-3022	6.2500	8.1900	2.0000	5.1810	0.8300	5.7800	2.4490
Material	Aluminum						
Head Type	Bowl						
224-3023	5.4000	5.3900	No	3.4620	0.6560	3.7000	2.0000
224-3026	6.2500	8.1900	2.0000	5.1825	0.8300	5.7800	2.4990
Material	Aluminum						
Head Type	Bowl						
224-3028	5.4000	5.4360	No	3.4681	0.7078	3.7000	2.0000
224-3034	4.7500	4.5300	2.0000	2.9060	0.5525	4.0000	1.6998
Material	Aluminum						
Head Type	Bowl						

Piston (cont.)

Part No.	Bore	Full Length	Valve Reliefs	Compression Distance	Combustion Chamber Depth	Combustion Chamber Diameter	Pin O.D.
224-3185	5.7500	8.1875	2.0000	5.1870	0.8640	5.0660	2.3899
Material	Aluminum						
Head Type	Bowl						
224-3189	5.7500	8.1875	4.0000	5.1870	0.8640	5.0660	2.3899
Material	Aluminum						
Head Type	Bowl						
224-3231	6.2500	7.3120	No	4.3060			2.4490
Material	Aluminum						
Head Type	Flat Top						
224-3244	5.4000	5.3900	No	3.4680	0.7000	3.7000	2.0000
Material	Aluminum						
Head Type	Bowl						
224-3245	5.4000	5.3900	No	3.4620	0.6640	3.7000	2.0000
Material	Aluminum						
Head Type	Bowl						
224-3249	5.5000	6.2900		4.0300			1.9989
Material	Aluminum						
224-3265	6.7000	7.2400	No	4.6815	0.5520	6.0910	2.7700
Material	Aluminum						
Head Type	Bowl						
224-3268	5.4000	5.4310	No	3.4680	0.6633	3.7007	2.0000
224-3269	5.5000	5.9050	no	3.6450	0.5000	4.1230	1.9989
Material	Aluminum						
224-3271	4.7500	4.5000	No	2.3010	0.3740	3.3910	1.5000
Material	Aluminum						
Head Type	Flat Top						
224-3275	5.4000	6.1900	4.0000	4.1180	0.2270	4.9630	1.9997
Material	Aluminum						
Head Type	Bowl						
224-3276	4.9120	4.9230	No	3.1313	0.4210	3.6150	2.1264
Material	Aluminum						
Head Type	Bowl						
224-3284	5.5000	6.2740	1.0000	4.0294	0.6220	3.9370	2.5006
Material	Aluminum						
224-3289	5.5000	6.2900	2.0000	4.0300	0.8620	4.1900	1.9994
Material	Aluminum						
224-3290	5.5000	6.2700	4.0000	4.0294	0.7150	3.6000	2.5006
Material	Aluminum						
224-3291	5.4000	5.4300	No	3.4674	0.7300	3.7000	2.0000
Material	Aluminum						
Head Type	Bowl						
224-3293	4.5000	4.7400	No	3.1085	0.8370	2.6160	1.8800
Material	Aluminum						

Piston (cont.)

Part No.	Bore	Full Length	Valve Reliefs	Compression Distance	Combustion Chamber Depth	Combustion Chamber Diameter	Pin O.D.
224-3297	4.7500	5.1100	2.0000	2.9100	0.7800	3.3500	1.6998
Material	Aluminum						
Head Type	Bowl						
224-3298	5.4000	5.2400	No	3.4660	0.7610	3.3820	2.1658
Material	Aluminum						
Head Type	Bowl						
224-3313	6.2500	6.3800	No	4.3960	0.5410	4.3450	2.3990
Material	Aluminum						
Head Type	Bowl						
224-3321	4.0165						
Material	Aluminum						
224-3322		4.1540	No	2.8190	0.8700	2.0510	1.7130
224-3326	4.4900	4.7400		3.1030	0.8370	2.5980	1.5740
Material	Aluminum						
Head Type	Bowl						
224-3330A	4.4880	4.7421	No	3.1102	0.9488	2.2323	1.7710
Material	Aluminum						
Head Type	Bowl						
224-3330B	4.4880	4.7441	No	3.1122	0.9488	2.2323	1.7710
Material	Aluminum						
Head Type	Bowl						
224-3330C	4.4880	4.7461	No	3.1142	0.9488	2.2323	1.7710
Material	Aluminum						
Head Type	Bowl						
224-3330D	4.4880	4.7480	No	3.1161	0.9488	2.2323	1.7710
Material	Aluminum						
Head Type	Bowl						
224-3331C	4.4880	2.7485	No	3.1161	0.9685	2.2835	1.7710
Material	Aluminum						
Head Type	Bowl						
224-3331D	4.4880	4.7532	No	3.1191	0.9685	2.2835	1.7710
Material	Aluminum						
Head Type	Bowl						
224-3332	4.4880	4.7449	No	3.1110	0.7598	2.8189	1.5748
Material	Aluminum						
224-3333	6.2500	6.4300	No	4.4460	0.6600	4.6460	2.3990
Material	Aluminum						
Head Type	Bowl						
224-3350	4.3000	5.0310	2.0000	3.2130	0.9130	2.5000	1.8260
Material	Aluminum						
Head Type	Bowl						
224-3354	4.0165	4.1490		2.8190	0.7400	2.3350	1.5750
Material	Aluminum						
Head Type	Reentrant Bowl Type Head						
Note	Bowl is centered						

Piston (cont.)

Part No.	Bore	Full Length	Valve Reliefs	Compression Distance	Combustion Chamber Depth	Combustion Chamber Diameter	Pin O.D.
224-3355	4.0165			2.8180	0.7400	2.5210	1.5750
Material	Aluminum						
Head Type	Reentrant Bowl Type Head						
Note	Keystone top ring						
224-3360	4.1358	3.6791	No	2.3326	0.6260	2.7755	1.5748
224-3361	4.1358	3.6791	No	2.3287	0.7086	2.3976	1.5748
224-3364	3.4646	4.1500	2.0000	1.6650	0.5430	1.7130	1.1810
224-3364WR	3.4646	2.6890	2.0000	1.6650	0.5430	1.7130	1.1810
224-3366	3.4646						
224-3366WR	3.4646	2.6890	2.0000	1.6650	0.5430	1.7130	30.0000
224-3368	4.7500	5.1140	2.0000	2.9098	0.7783	3.3500	1.6998
224-3369	4.7500	4.5614	2.0000	2.9098	0.5598		1.5000
224-3392	6.7000	6.5078	No	4.2480	1.0157	4.1338	2.7544
224-3393	6.7000	7.2952	No	4.7440	1.5157	4.1811	2.7544
224-3394	6.7000	7.2500	No	4.7145	0.5551	6.0511	2.7544
224-3395	4.7500	5.1244	1.0000	2.8484	0.9448	2.5669	1.6998
224-3396	4.7500	5.1244	2.0000	2.9196	0.8799	2.6771	1.6998
224-3397	5.4000	5.1244	No	3.5460	0.7050	3.8580	2.1654
224-3398	5.4000		No	3.5460	0.8240	3.7000	2.1654
224-3399	5.4000		No	3.5460	0.7590	3.8580	2.1654
224-3400	5.4000		No	3.5460	0.8240	3.7000	2.1654
224-3501	4.2500	3.9820	2.0000	2.3680	0.7090	2.2930	1.4960
224-3502	4.2500	3.9820	2.0000	2.3680	0.6520	2.5590	1.4960
224-3513	4.0160			2.8220	0.8660	2.0190	1.5750
Material	Aluminum						
Head Type	Reentrant Bowl Type Head						
Note	OEM casting number is 102O39						
224-3514	4.0165	4.1500	None	2.8120	0.8660	2.0190	1.5748
Material	Aluminum						
Head Type	Bowl						
224-3515	4.0165	4.1500	None	2.8180	0.8660	2.3370	1.5748
Material	Aluminum						
Head Type	Bowl						
224-3520	4.0160	4.1510		2.8200	0.8660	2.0510	1.5750
Material	Aluminum						
Head Type	Reentrant Bowl Type Head						
Note	Keystone top ring						
224-3522	4.0160	4.1480	No	2.8170	0.7160	2.4970	1.5750
Material	Aluminum						
Head Type	Reentrant Bowl Type Head						
Note	Marine						

Piston (cont.)

Part No.	Bore	Full Length	Valve Reliefs	Compression Distance	Combustion Chamber Depth	Combustion Chamber Diameter	Pin O.D.
224-3523	4.0160	4.1480	No	2.8170	0.6860	2.5200	1.5750
Material	Aluminum						
Head Type	Reentrant Bowl Type Head						
Note	Keystone Top ring						
224-3525	4.0165	4.1480	No	2.8170	0.6970	2.3280	1.5750
Material	Aluminum						
Head Type	Reentrant Bowl Type Head						
Note	Keystone top ring						
224-3526	4.0165	4.1480	No	2.8170	0.7600	2.3230	1.5750
Material	Aluminum						
Head Type	Reentrant Bowl Type Head						
Note	Chrome top ring						
224-3585WR	3.4646	2.2950	4.0000	0.8860	0.5550	1.7720	
224-3586	4.7500	5.1145	2.0000	2.9098	0.7047	3.3500	1.6998
Material	Aluminum						
224-3588	4.7500	5.2952	No	3.3503	1.0433	3.3464	2.0000
224-3672	4.0165	4.1410	None	2.8110	0.7320	2.7550	1.5748
Material	Aluminum						
Head Type	Bowl						
224-3673	4.0165	4.1410	None	2.8110	0.4920	3.0010	1.5748
Material	Aluminum						
Head Type	Bowl						
224-3674	4.0165	4.1410	None	2.8110	0.7320	2.2220	1.5748
Material	Aluminum						
Head Type	Bowl						
224-3710	4.1730	3.8740			0.4940	3.1500	1.6540
224-3802		4.0630	No	1.3310	0.5120	3.1420	1.5750
Material	Aluminum						
224-3836	3.8390	4.2440	No	1.7720	0.8800	2.2050	1.4170
224-3837	3.8390	4.2440	No	1.7720	0.8900	2.1520	1.4170
224-3838	3.8390	4.2520	No	45.0000	0.8740	2.0750	1.4170
224-3839	3.8390	4.2520	No	1.7720	0.9060	2.1440	1.4170
224-3840	5.0390	5.5120	No	1.7720	0.9450	3.0350	1.8110
224-3841	4.0160	3.9840	No	1.7720	0.5470	2.8830	1.5750
224-3842	4.0160	3.9840			0.5470	2.8831	1.6540

Rebore Kit

Part No.	Bore	Piston	Ring Set
224-2513	4.5000		
224-2738	4.5000		
224-2997	4.2500		
224-2998	4.2500		
224-3345	4.0165	224-3324	S41518



Rebore Kit (cont.)

Part No.	Bore	Piston	Ring Set
225-3293	4.4900	224-3293	S41677
225-3321		224-3321	
225-3322	4.0165	224-3322	S41905
225-3330A	4.4900	224-3330A	S41677
225-3330B	4.4900	224-3330B	S41677
225-3330C	4.4900	224-3330C	S41677
225-3330D	4.4900	224-3330D	S41677
225-3331B	4.4900	224-3331B	S41677
225-3331C	4.4900	224-3331C	S41677
225-3501	4.2500		
225-3502	4.2500		
225-3513B	4.0165		S41518
225-3672		224-3672	
225-3673		224-3673	
225-3674	4.0160	224-3674	
225-3732	4.2100	224-3732	
225-3754	4.4900	224-3354	
225-3780	4.0165		S42165
225-3781	4.0165		
225-3782	4.4900		
225-3783	4.4900		
225-3784	4.4900		
225-3785	4.4900		
225-3786	4.4900		
225-3787	4.4900		
225-3788	4.4900		
225-3789	4.0165		
225-3841		224-3841	A48940 STD

Connecting Rod Bearing

Part No.	Material	Std. Shaft Diameter	Vert. Oil Clearance	Wall	Brg. OD or Housing Bore	Length
CB-1073P	TM-112	3.1240 / 3.1250	0.0020 / 0.0045	0.0948	3.3160 / 3.3165	1.3660
CB-1180P	TM-112	3.8730 / 3.8740	0.0020 / 0.0050	0.1555	4.1865 / 4.1875	1.4850
CB-1215P	TM-112	2.7490 / 2.7502	0.0020 / 0.0054	0.0948	2.9413 / 2.9423	1.0100
CB-1226P	TM-112	3.1240 / 3.1250	0.0020 / 0.0045	0.0947	3.3160 / 3.3165	1.7410
CB-1232AL	TM-112	4.3745 / 4.3755	0.0024 / 0.0056	0.1713	4.7200 / 4.7210	1.3730
CB-1262AL	TM-112	3.8189 / 3.8197	0.0030 / 0.0060	0.1258	4.0743 / 4.0753	1.5350
CB-1265P	TM-112	2.4990 / 2.5000	0.0020 / 0.0050	0.1250	2.7515 / 2.7525	1.3200
CB-1288P	TM-77	2.7549 / 2.7559	0.0020 / 0.0050	0.0955	2.9489 / 2.9494	0.9220
CB-1357P	TM-112	3.9985 / 4.0000	0.0023 / 0.0052	0.1250	4.2518 / 4.2522	2.2100
CB-1379P	TM-112	2.9970 / 2.9980	0.0013 / 0.0041	0.0902	3.1797 / 3.1805	1.6000
CB-1382P	TM-112	3.1097 / 3.1107	0.0011 / 0.0041	0.0974	3.3066 / 3.3076	1.6620
CB-1394P	TM-112	2.5182 / 2.5197	0.0018 / 0.0051	0.0778	2.6771 / 2.6779	1.2650
CB-1409P	TM-112	2.9906 / 2.9926	0.0013 / 0.0046	0.0972	3.1885 / 3.1895	1.5010
CB-1413P	TM-112	2.7160 / 2.7170	0.0015 / 0.0045	0.0775	2.8735 / 2.8745	1.2250
CB-1596P	TM-112	2.7490 / 2.7500	0.0019 / 0.0049	0.1553	3.0620 / 3.0630	1.8800
CB-1598P	TM-112	3.2470 / 3.2480	0.0014 / 0.0044	0.0892	3.4290 / 3.4310	1.6000



Connecting Rod Bearing (cont.)

Part No.	Material	Std. Shaft Diameter	Vert. Oil Clearance	Wall	Brg. OD or Housing Bore	Length
CB-1599P	TM-112	2.7489 / 2.7505	0.0021 / 0.0055	0.0948	2.9413 / 2.9423	1.2550
CB-1616P	TM-112	3.4985 / 3.5000	0.0022 / 0.0047	0.0947	3.6910 / 3.6915	1.9110
CB-1619P	TM-112	4.2485 / 4.2500	0.0035 / 0.0065	0.1243	4.5020 / 4.5025	2.0750
CB-1620P	TM-77	2.7551 / 2.7567	0.0016 / 0.0052	0.0970	2.9523 / 2.9533	1.3300
CB-1621P	TM-112	5.3140 / 5.3160	0.0028 / 0.0072	0.1558	5.6304 / 5.6316	2.2490
CB-1622P	TM-112	3.5425 / 3.5441	0.0024 / 0.0063	0.1201	3.7868 / 3.7882	1.9300
CB-1631P	TM-112	2.4990 / 2.5000	0.0020 / 0.0050	0.0948	2.6910 / 2.6920	1.1750
CB-1659P	TM-77	3.1493 / 3.1506	0.0018 / 0.0051	0.0996	3.3516 / 3.3526	1.4400
CB-1662P	TM-77	3.3450 / 3.3460	0.0016 / 0.0046	0.1230	3.5940 / 3.5950	1.7100
CB-1773P		3.1469 / 3.1476	0.0015 / 0.0042	0.9862	3.3464 / 3.3473	1.5770
CB-1792P	TM-112	3.3450 / 3.3460	0.0016 / 0.0046	0.1230	3.5940 / 3.5950	1.8650
CB-1836P	TM-112	3.3450 / 3.3460	0.0016 / 0.0046	0.1230	3.5940 / 3.5950	1.8650
CB-1842P	TM-77	1.8880 / 1.8883	0.0006 / 0.0024	0.0713	2.0315 / 2.0320	0.8560
CB-1843P-.25MM	TM-77	1.8880 / 1.8883	0.0006 / 0.0024	0.0723	2.0335 / 2.0340	0.8560
CB-1846P-.25MM	TM-112	2.7160 / 2.7170	0.0015 / 0.0045	0.0874	2.8835 / 2.8845	1.2250
CB-1873AP	TM-112	2.7160 / 2.7170	0.0015 / 0.0045	0.0775	2.8735 / 2.8745	1.2250
CB-1903P	TM-77					
CB-1931P						
CB-1932P		3.1488 / 3.1504		0.0967	3.3460 / 3.3470	1.4390
CB-1933P	TM-112	3.5425 / 3.5441	0.0018 / 0.0058	0.1205	3.7869 / 3.7879	1.9311
CB-1941P		3.2276 / 3.2291		0.0927	3.4168 / 3.4178	1.7776
CB-296P	TM-112	3.1240 / 3.1250	0.0022 / 0.0047	0.0729	3.2725 / 3.2730	1.9800
CB-555P	TM-112	2.9990 / 3.0000	0.0019 / 0.0049	0.1243	3.2500 / 3.2510	1.2100
CB-599P	TM-112	2.9975 / 2.9980	0.0016 / 0.0041	0.0902	3.1795 / 3.1800	1.6000
CB-619AL	TM-112	2.9990 / 3.0000	0.0035 / 0.0061	0.1230	3.2490 / 3.2500	1.5050
CB-625P	TM-112	3.1240 / 3.1250	0.0022 / 0.0047	0.0729	3.2725 / 3.2730	1.7300
CB-674P	TM-112	2.7490 / 2.7500	0.0016 / 0.0046	0.1252	3.0015 / 3.0025	1.1100
CB-694AL	TM-77	3.5395 / 3.5405	0.0030 / 0.0060	0.1560	3.8550 / 3.8560	1.7750
CB-778AL	TM-112	4.1240 / 4.1250	0.0041 / 0.0071	0.1557	4.4395 / 4.4405	1.9800
CB-964AL	TM-112	3.6240 / 3.6250	0.0036 / 0.0066	0.1692	3.9665 / 3.9675	2.0000
CB-965P	TM-112	3.7485 / 3.7490	0.0035 / 0.0055	0.1250	4.0020 / 4.0025	1.8150
CB-970AL	TM-112	4.9990 / 5.0000	0.0029 / 0.0061	0.1908	5.3840 / 5.3850	1.8630
CB-972P	TM-112	2.7496 / 2.7504	0.0018 / 0.0046	0.0948	2.9413 / 2.9423	0.9550
CB-994P	TM-112	2.7490 / 2.7500	0.0020 / 0.0050	0.0948	2.9410 / 2.9420	1.1750

Main Bearing Set

Bearing or Position	Material	Part No.	Std. Shaft Diameter	Vert. Oil Clearance	Wall	Brg. OD or Housing Bore	Length
Main Bearing Set		MS-1058AL					
1-2-3-4-5		MB-2597AL	5.7490 / 5.7500	0.0039 / 0.0071	0.3092	6.3720 / 6.3730	2.1300
Main Bearing Set		MS-1059AL					
1-2-3-4-5-6-7		MB-2597AL	5.7490 / 5.7500	0.0039 / 0.0071	0.3092	6.3720 / 6.3730	2.1300
Main Bearing Set		MS-1060P					
1-4		MB-2598P	3.4990 / 3.5000	0.0018 / 0.0048	0.1253	3.7520 / 3.7530	1.0520
2-3		MB-2599P	3.4990 / 3.5000	0.0018 / 0.0048	0.1253	3.7520 / 3.7530	1.1410
4		MB-2598W	3.8050 / 3.8150			4.4850 / 4.4950	0.1510



Main Bearing Set (cont.)

Bearing or Position	Material	Part No.	Std. Shaft Diameter	Vert. Oil Clearance	Wall	Brg. OD or Housing Bore	Length
Main Bearing Set		MS-1061P					
1-5		MB-2598P	3.4990 / 3.5000	0.0018 / 0.0048	0.1253	3.7520 / 3.7530	1.0520
2-3-4		MB-2599P	3.4990 / 3.5000	0.0018 / 0.0048	0.1253	3.7520 / 3.7530	1.1410
5		MB-2598W	3.8050 / 3.8150			4.4850 / 4.4950	0.1510
Main Bearing Set		MS-1113AL					
1-2-3-4-5		MB-2580AL	3.4990 / 3.5000	0.0021 / 0.0051	0.1566	3.8150 / 3.8160	1.1300
Main Bearing Set		MS-1114AL					
1-2-3-4-5-6-7		MB-2580AL	3.4990 / 3.5000	0.0021 / 0.0051	0.1566	3.8150 / 3.8160	1.1300
Main Bearing Set		MS-1385P					
1-2-3-4		MB-2687P	4.4990 / 4.5000	0.0019 / 0.0049	0.1552	4.8120 / 4.8130	1.2450
4		MB-2523W	4.7500 / 4.7600			5.7300 / 5.7400	0.1220
Main Bearing Set		MS-1386P					
1-2-3-4-5		MB-2687P	4.4990 / 4.5000	0.0019 / 0.0049	0.1552	4.8120 / 4.8130	1.2450
5		MB-2523W	4.7500 / 4.7600			5.7300 / 5.7400	0.1220
Main Bearing Set		MS-1420P					
1		MB-2733P	3.4990 / 3.5000	0.0023 / 0.0053	0.1025	3.7070 / 3.7080	1.0000
2-3-5		MB-2734P	3.4990 / 3.5000	0.0018 / 0.0048	0.1025	3.7070 / 3.7080	1.0000
4		MB-2735P(F)	3.4990 / 3.5000	0.0013 / 0.0043	0.1028	3.7070 / 3.7080	1.2530
Main Bearing Set		MS-1421P					
1-2-3-5		MB-2734P	3.4990 / 3.5000	0.0018 / 0.0048	0.1025	3.7070 / 3.7080	1.0000
4		MB-2735P(F)	3.4990 / 3.5000	0.0013 / 0.0043	0.1028	3.7070 / 3.7080	1.2530
Main Bearing Set		MS-1422P					
1		MB-2736P	3.4990 / 3.5000	0.0023 / 0.0053	0.1025	3.7070 / 3.7080	1.0000
2-3-5		MB-2734P	3.4990 / 3.5000	0.0018 / 0.0048	0.1025	3.7070 / 3.7080	1.0000
4		MB-2735P(F)	3.4990 / 3.5000	0.0013 / 0.0043	0.1028	3.7070 / 3.7080	1.2530
Main Bearing Set		MS-1592P					
1-2-3-5		MB-2929P	3.4990 / 3.5000	0.0023 / 0.0053	0.1075	3.7170 / 3.7180	1.0000
4		MB-2930P(F)	3.4990 / 3.5000	0.0023 / 0.0053	0.1075	3.7170 / 3.7180	1.2530
Main Bearing Set		MS-1593P					
1		MB-2927P	3.4990 / 3.5000	0.0023 / 0.0053	0.1075	3.7170 / 3.7180	1.0000
2-3-5		MB-2929P	3.4990 / 3.5000	0.0023 / 0.0053	0.1075	3.7170 / 3.7180	1.0000
4		MB-2930P(F)	3.4990 / 3.5000	0.0023 / 0.0053	0.1075	3.7170 / 3.7180	1.2530
Main Bearing Set		MS-1717P					
1-2-3-4-5-7		MB-3110P	3.2672 / 3.2682	0.0017 / 0.0047	0.0970	3.4638 / 3.4652	1.1430
6		MB-3109P(F)	3.2672 / 3.2682	0.0017 / 0.0047	0.0970	3.4638 / 3.4652	1.4700
Main Bearing Set		MS-1718P					
1-2-3-5		MB-3110P	3.2672 / 3.2682	0.0017 / 0.0047	0.0970	3.4638 / 3.4652	1.1430
4		MB-3190PF	3.2672 / 3.2682	0.0017 / 0.0047	0.0970	3.4638 / 3.4652	1.4700
Main Bearing Set		MS-1719P					
1-3		MB-3110P	3.2672 / 3.2682	0.0017 / 0.0047	0.0970	3.4638 / 3.4652	1.1430
2		MB-3190PF	3.2672 / 3.2682	0.0017 / 0.0047	0.0970	3.4638 / 3.4652	1.4700
Main Bearing Set		MS-1740P					
1-2-3-5-6-7		MB-3104P	3.8568 / 3.8588	0.0024 / 0.0055	0.1360	4.1333 / 4.1344	1.3430
4		MB-3105PF	3.8568 / 3.8588	0.0024 / 0.0055	0.1360	4.1333 / 4.1344	1.6860

Main Bearing Set (cont.)

Bearing or Position	Material	Part No.	Std. Shaft Diameter	Vert. Oil Clearance	Wall	Brg. OD or Housing Bore	Length
Main Bearing Set		MS-2000P					
1-3-5		MB-3415P	3.4990 / 3.5000	0.0030 / 0.0066	0.1022	3.7075 / 3.7085	1.1700
2-4		MB-3414P	3.4990 / 3.5000	0.0030 / 0.0066	0.1022	3.7075 / 3.7085	1.1730
3		MB-3451W	4.0500 / 4.0700			5.0500 / 5.0700	0.2150
Main Bearing Set		MS-2018P					
1-7		MB-3453P	6.4985 / 6.5000	0.0036 / 0.0075	0.1707	6.8450 / 6.8460	2.0750
2-3-4-5-6		MB-3452P	6.4985 / 6.5000	0.0036 / 0.0075	0.1707	6.8450 / 6.8460	2.2000
7		MB-3453W					
Main Bearing Set		MS-2019P					
1-9		MB-3453P	6.4985 / 6.5000	0.0036 / 0.0075	0.1707	6.8450 / 6.8460	2.0750
2-3-4-5-6-7-8		MB-3452P	6.4985 / 6.5000	0.0036 / 0.0075	0.1707	6.8450 / 6.8460	2.2000
9		MB-3453W					
Main Bearing Set		MS-2020P					
1-3-5		MB-2733P	3.4990 / 3.5000	0.0023 / 0.0053	0.1025	3.7070 / 3.7080	1.0000
2-4		MB-2734P	3.4990 / 3.5000	0.0018 / 0.0048	0.1025	3.7070 / 3.7080	1.0000
3		MB-2580W	4.0500 / 4.0700			5.0500 / 5.0700	0.1860
Main Bearing Set		MS-2064P					
1-3-5		MB-3455P	3.5425 / 3.5441	0.0020 / 0.0056	0.0968	3.7397 / 3.7407	1.2550
2		MB-3454P	3.5425 / 3.5441	0.0020 / 0.0056	0.0968	3.7397 / 3.7407	1.2550
4		MB-3456P(F)	3.5425 / 3.5441	0.0020 / 0.0056	0.0968	3.7397 / 3.7407	1.4890
Main Bearing Set		MS-2065P					
1-4-7		MB-3455P	3.5425 / 3.5441	0.0020 / 0.0056	0.0968	3.7397 / 3.7407	1.2550
2-3-5		MB-3454P	3.5425 / 3.5441	0.0020 / 0.0056	0.0968	3.7397 / 3.7407	1.2550
6		MB-3456P(F)	3.5425 / 3.5441	0.0020 / 0.0056	0.0968	3.7397 / 3.7407	1.4890
Main Bearing Set		MS-2219P					
1-2-3-4-5-6-7		MB-3455P	3.5425 / 3.5441	0.0020 / 0.0056	0.0968	3.7397 / 3.7407	1.2550
6		MB-3456P(F)	3.5425 / 3.5441	0.0020 / 0.0056	0.0968	3.7397 / 3.7407	1.4890
Main Bearing Set		MS-2272P					
1-2-3-4-5-7		MB-3110P	3.2672 / 3.2682	0.0017 / 0.0047	0.0970	3.4638 / 3.4652	1.1430
6		MB-3786P(F)	3.2672 / 3.2682	0.0017 / 0.0047	0.0970	3.4638 / 3.4652	1.4700
Main Bearing Set		MS-2280P					
		MS2280P					
Main Bearing Set		MS-2281P					
		MS2281P					
Main Bearing Set		MS-2332P					
		MS2332P					
Main Bearing Set		MS-271P					
1-2-3-4-5-6-7		MB-1276P	3.4990 / 3.5000	0.0017 / 0.0047	0.1553	3.8120 / 3.8130	1.1930
7		MB-2524W	3.8430 / 3.8435			4.6250 / 4.6350	0.1220
Main Bearing Set		MS-502P					
1-2-3-4-5		MB-1897P	2.9990 / 3.0000	0.0013 / 0.0043	0.1250	3.2510 / 3.2520	1.1850
5		MB-2522W	3.3380 / 3.3480			4.2700 / 4.2800	0.1220
Main Bearing Set		MS-506P					
1-2-3-4		MB-1931P	3.4990 / 3.5000	0.0023 / 0.0053	0.1245	3.7510 / 3.7520	1.0050
4		MB-2524W	3.8430 / 3.8435			4.6250 / 4.6350	0.1220

Main Bearing Set (cont.)

Bearing or Position	Material	Part No.	Std. Shaft Diameter	Vert. Oil Clearance	Wall	Brg. OD or Housing Bore	Length
Main Bearing Set		MS-885P					
1-2-3-4		MB-2474P	3.4990 / 3.5000	0.0023 / 0.0053	0.1245	3.7510 / 3.7520	1.0050
4		MB-2524W	3.8430 / 3.8435			4.6250 / 4.6350	0.1220
Main Bearing Set		MS-954P					
1		MB-2520P	3.9980 / 3.9990	0.0023 / 0.0053	0.1250	4.2510 / 4.2520	1.4700
2-3-5-6		MB-2045P	3.9980 / 3.9990	0.0020 / 0.0050	0.1250	4.2510 / 4.2520	1.2550
4		MB-1373W	4.0620			5.2500	0.0920
7		MB-2521P	3.9980 / 3.9990	0.0023 / 0.0053	0.1250	4.2510 / 4.2520	2.0930
Main Bearing Set		MS-957AL					
1-2-3-4		MB-2580AL	3.4990 / 3.5000	0.0021 / 0.0051	0.1566	3.8150 / 3.8160	1.1300
Main Bearing Set		MS-958AL					
1-2-3-4-5-6		MB-2580AL	3.4990 / 3.5000	0.0021 / 0.0051	0.1566	3.8150 / 3.8160	1.1300

Thrust Washer Set

Bearing or Position	Material	Part No.	Std. Shaft Diameter	Vert. Oil Clearance	Wall	Brg. OD or Housing Bore	Length
Thrust Washer Set		TW-226S					
5		MB-2597W	6.6300 / 6.6500			7.7400 / 7.7600	0.2820
Thrust Washer Set		TW-252S					
3		MB-2580W	4.0500 / 4.0700			5.0500 / 5.0700	0.1860
Thrust Washer Set		TW-402S					
4		MB-2523W	4.7500 / 4.7600			5.7300 / 5.7400	0.1220
Thrust Washer Set		TW-409S					
		MB-3057W	4.0500 / 4.0700			5.0500 / 5.0700	0.2320
Thrust Washer Set		TW-411S					
3		MB-2524W	3.8430 / 3.8435			4.6250 / 4.6350	0.1220
Thrust Washer Set		TW-412S					
4		MB-2522W	3.3380 / 3.3480			4.2700 / 4.2800	0.1220
Thrust Washer Set		TW-422S					
4		MB-1373W	4.0620			5.2500	0.0920
Thrust Washer Set		TW-448S					
5		MB-2598W	3.8050 / 3.8150			4.4850 / 4.4950	0.1510
Thrust Washer Set		TW-583S					
4		MB-3448W	5.2600 / 5.3000			6.2300 / 6.2700	0.2270
Thrust Washer Set		TW-620S					
3		MB-3826W	2.5905			3.1890	0.0866

Camshaft Bearing Set

Bearing or Position	Material	Part No.	Std. Shaft Diameter	Vert. Oil Clearance	Wall	Brg. OD or Housing Bore	Length
Camshaft Bearing Set		SH-1245S					
1-2-3-4-5		SH-1245	2.4995 / 2.5005	0.0004 / 0.0010	0.0750	2.6520 / 2.6530	0.7600
Camshaft Bearing Set		SH-1404					
1		SH-1404	2.1245 / 2.1265			2.2528 / 2.2542	1.0100
Camshaft Bearing Set		SH-1450S					
1		SH-1450					
Camshaft Bearing Set		SH-1773S					
1-2-3-4-5-6-7		SH-1773	2.8341 / 2.8352	0.0029 / 0.0054	0.0965	3.0310 / 3.0320	1.1910

Piston Pin Bushing

Part No.	Max. Wall	Min. Brg. OD or Housing Bore	Max. Length	Material	Min. Std. Shaft Diameter	Install Type
223-3462	0.1330	1.7560	0.8175	C-1		Requires Boring
223-3544		2.1255	1.6850	C-1	2.0004	Requires Boring
223-3545	0.1400	2.2500	2.2100	C-1		Requires Boring
223-3564	0.1400	1.6250	1.5280	C-1		Requires Boring
223-3565	0.1450	1.7500	1.5700	C-1		Requires Boring
223-3569	0.0770	1.6295	1.3100	C-1	1.5015	Requires Boring
223-3570	1.2500	2.6755	2.2600	C-1		Requires Boring
223-3577	0.1060	2.1855	1.8850	C-1		Requires Boring
223-3579	0.1520	1.6244	0.8550	C-1		
223-3586	0.1060	2.1855	1.8850	C-1		Requires Boring
223-3628	0.0775	1.6290	1.3020	C-1	1.6150	Requires Boring
223-3634	0.1060	1.6850	0.7100	C-1		Requires Boring
223-3642	0.0890	1.9287	1.7820	C-1		Requires Boring
223-3644	0.0690	1.6924	1.5100	C-1		Requires Boring
223-3665	0.0646	1.2795	0.8622	C-1	1.1811	Requires Light Reaming
223-3683	0.1040	1.9920			1.8110	
223-3684	0.1150	2.2440	1.5240		2.0450	
223-3685	0.0980	1.8110	1.3270		1.6530	
223-3686	0.1080	1.8310	1.3270		1.6530	

Valves

Part No.	Head Diameter	Length	Stem Diameter	Seat Angle	Position	Stem Type	O-Ring Groove
211-1863	1.0900	5.5520	0.2480	30°	Exhaust Valve	1 Groove	Yes
211-1945	1.8700	7.0610	0.4505	30°	Exhaust	2 Grooves	No
211-2351	2.3480	9.3050	0.4960	45°	Intake	Tapered Groove	No
211-2352	2.2870	9.2740	0.4960	45°	Exhaust	Tapered Groove	No
211-2439	1.3850	5.5330	0.3100	30°	Exhaust	1 Groove	No
211-2450	1.6050	5.5650	0.3790	30°	Both	1 Groove	No
211-2455	2.0940	5.6980	0.3725	45°	Intake	2 Grooves	Yes
211-2456	1.8040	5.6830	0.3700	45°	Exhaust	2 Grooves	Yes

Valves (cont.)

Part No.	Head Diameter	Length	Stem Diameter	Seat Angle	Position	Stem Type	O-Ring Groove
211-2462	1.1850	5.5380	0.3100	30°	Exhaust	1 Groove	Yes
211-2489	1.7710	6.5630	0.3717	30°	Exhaust	2 Grooves	No
211-2490	1.8950	6.5630	0.3720	30°	Intake	2 Grooves	No
211-2491	2.0200	5.5180	0.3720	30°	Intake	2 Grooves	No
211-2492	1.8960	5.4770	0.3720	30°	Exhaust	2 Grooves	No
211-2493	1.7710	7.1480	0.3720	30°	Intake	2 Grooves	No
211-2494	1.6460	7.1400	0.3710	45°	Exhaust	2 Grooves	No
211-2536	1.0950	5.5500	0.2480	30°	Exhaust Valve	1 Groove	Yes
211-2551	1.6650	5.9420	0.3410	45°	Exhaust	1 Groove	No
211-2552	1.8120	5.9420	0.3410	30°	Intake	1 Groove	No
211-2689	1.8700	7.0710	0.4510	30°	Both	2 Grooves	No
211-2748	1.6730	6.9450	0.3790	30°	Intake	1 Groove	No
211-2752	2.0200	5.5180	0.3717	30°	Intake	2 Grooves	No
211-2753	1.8960	5.4770	0.3720	30°	Exhaust	2 Grooves	No
211-3173	1.6940	6.9550	0.3730	30°	Intake		
211-3174	1.5730	6.8720	0.3720	30°	Exhaust		
211-3198	1.4550	5.6880	0.3710	45°	Exhaust	1 Groove	Yes
211-3201	1.7720	5.0840	0.3138	30°	Intake	1 Groove	No
211-3202	1.6540	5.0810	0.3138	45°	Exhaust	1 Groove	No
211-3203	1.6540	5.0810	0.3138	45°	Exhaust	1 Groove	No
211-3204	1.8110	5.9420	0.3730	45°	Exhaust	1 Groove	No
211-3306	1.8960	5.3080	0.3717	30°	Exhaust	2 Grooves	No
211-3307	1.8040	5.6830	0.3715	45°	Exhaust	2 Grooves	No
211-3311	2.2200	7.5500	0.4948	30°	Exhaust	1 Groove	No
211-3313	1.5760	8.4980	0.3421	30°	Exhaust	1 Groove	No
211-3315	1.6730	6.9400	0.3789	30°	Exhaust	1 Groove	No
211-3316	1.6730	7.6900	0.3789	30°	Exhaust	1 Groove	No
211-3324	2.3500	9.3900	0.4955	29°	Exhaust	Tapered Groove	No
211-3339	2.0200	5.3710	0.3717	30°	Intake	2 Grooves	No
211-3343	2.2200	7.5450	0.4950	30°	Intake	1 Groove	No
211-3345	1.7320	8.4980	0.3435	30°	Intake	1 Groove	No
211-3347	1.6730	7.6900	0.3789	30°	Intake	1 Groove	No
211-3350	2.0280	7.7880	0.4365	44°	Intake	Tapered Groove	No
211-3353	2.5050	9.3900	0.4960	30°	Intake	1 Groove	No
211-4154	1.7860	5.9920	0.3714	45°	Exhaust	1 Groove	Yes
211-4155	1.7860	5.9920	0.3722	30°	Intake	1 Groove	Yes
211-4166	1.8500	7.9510	0.3717	30°	Intake	2 Grooves	No
211-4167	1.6460	7.9530	0.3717	45°	Exhaust	2 Grooves	No
211-4182	1.2990	4.9070	0.2756	30°	Intake	1 Groove	No
211-4183	1.2990	4.8930	0.2756	30°	Exhaust	1 Groove	No
211-4193	1.5750	5.4690	0.2732	45°	Intake	1 Groove	No
211-4194	1.7720	6.8500	0.3717	30°	Intake	2 Grooves	No
211-4262	1.1300	4.0960	0.2740	45°	Intake	1 Groove	No
211-4263	1.0310	4.1140	0.2740	45°	Exhaust	1 Groove	No
211-4281	1.6460	7.2500	0.3717	45°	Exhaust	2 Grooves	No
211-4283	1.8700	7.7230	0.3789	60°	Intake	1 Groove	No
211-4284	1.8700	7.7500	0.3789	20°	Intake	1 Groove	No

Valves (cont.)

Part No.	Head Diameter	Length	Stem Diameter	Seat Angle	Position	Stem Type	O-Ring Groove
211-4285	1.8700	7.7260	0.3789	60°	Exhaust	1 Groove	No
211-4290	1.5750	7.5590	0.3150	30°	Exhaust Valve		
211-4299	1.4170	5.5310	0.3910	45°	Exhaust Valve		
211-4300	1.4170	5.5300	0.3910	45°	Exhaust Valve		
211-4301	1.6530	5.5300	0.3520	30°	Exhaust Valve		
211-4302	1.6840	5.5300	0.3520	30°	Intake		
211-4303	1.6530	5.5310	0.3520	20°	Intake		
211-4304	1.4960	6.0060	0.3130	45°	Exhaust Valve		
211-4305	1.3390	5.0690	0.3130	20°	Intake		
211-4306	1.4170	5.5300	0.3910	45°	Exhaust Valve		

Valve Guide

Part No.	Material	Inner Diameter	Outer Diameter	Length	Stem Type	Position
217-3210	Iron	0.4530	0.7520	3.0000	Flanged	Both
217-3254		0.3430	0.5640	2.8750	Plain	Both
217-3283		0.4410	0.8140	4.2500	Shoulder	Both
217-3289	Iron	0.3810	0.6260	2.5000	Grooved	Both
217-3332	Iron	0.3820	0.6500	2.9340	Undercut	Both
217-3446	Iron	0.4977	0.8461	3.8050	Flanged	Both
217-3606	Iron	0.4050	0.7520	3.4380	Undercut	Both
217-3810		0.5000	0.6880	3.5000	Plain	Both
217-3832		0.3130	0.5000	2.5000	Plain	Exhaust
217-3916	Iron	0.4530	0.7520	3.4380	Plain	Both
217-3946		0.3130	0.5000	2.3750	Stepped	Exhaust
217-4007		0.2510	0.5000	2.3600	Stepped	Exhaust
217-4063		0.3750	0.6892	2.8150	Stepped	Both
217-4073	Iron	0.4977	0.8461	3.8050	Undercut	Both
217-4076		0.3453	0.5640	4.0000	Flanged	Both
217-4082	Iron	0.3819	0.6506	2.6330	Grooved	Both
217-4092	Iron	0.3819	0.7520	3.4000	Grooved	Both
217-4110		0.3750	0.6289	3.3580	Flanged	Both

Valve Spring

Part No.	Length	Max Outer Diameter	Valve Closed Length	Valve Open Length	Closed Pressure Min.	Open Pressure Minimum	Number of Coils
212-1079	1.9500	0.8590	1.8000	1.4160	22psi	85psi	9.7500
212-1110	2.0900	0.8100	1.9300	1.5270	30psi	100psi	
212-1288	1.8550	1.4400	1.7150	1.2150	30psi	152psi	6.0000
212-1289	1.8550	0.9880	1.7150	1.2150	125psi	69psi	8.4000
212-1387	2.5740	1.7030	2.2190	1.6140	59psi	167psi	7.3500
212-1395	1.8280	1.1250	1.5000	1.0000	15psi	41psi	7.2500
212-1398	2.6500	1.2720	2.3400	1.2870	53psi		9.5000
212-1440	2.5800	1.4820	1.9800	1.5300	145psi	262psi	

Valve Seat Insert

Part No.	Inner Diameter	Outer Diameter	Depth	Seat Angle	Position
218-7373	0.9750	1.2580mm	0.2500	30°	Exhaust
218-7805	1.4060mm	1.6870mm	0.3650	45°	Exhaust
218-7806	1.5620mm	1.8120mm	0.3650	45°	Intake
218-7807	1.6250mm	1.9120mm	0.2810	45°	Exhaust
218-7808	1.8590mm	2.1500mm	0.2920	30°	Intake
218-7813	1.1410mm	1.4420mm	0.2500	30°	Exhaust
218-7817	0.9100	1.1610mm	0.2220	30°	Exhaust
218-3732	1.6875	2.0030	0.2812	30°	Both
218-7800	1.4370	1.6910	0.1810	30°	Intake
218-7805	1.4060mm	1.6870mm	0.3650	45°	Exhaust
218-7806	1.5620mm	1.8120mm	0.3650	45°	Intake
218-8010	1.6900	2.0060	0.2140	30°	Both

Oil filter

Part No.	Housing Diameter	Thread	Inner - Ø	Outer - Ø	Overall Height
OC 103	93.2000mm	13/16"-16UNF-2B	62.0000mm	72.0000mm	139.5000mm
OC 121	108.0000mm	1 1/8"-16UNF-2B	91.7000mm	101.7000mm	259.0000mm
OC 282	108.0000mm	1 3/8"-16UNF-2B	93.0000mm	104.0000mm	258.0000mm
OC 320	93.3000mm	1"-16UN-2B	62.5000mm	71.6000mm	168.5000mm
OC 37	93.2000mm	3/4"-16UNF-2B	62.0000mm	72.0000mm	139.5000mm
OC 370	108.0000mm	1 1/8"-16UN-2B	93.0000mm	104.0000mm	258.0000mm
OC 42	93.5000mm	3/4"-16UNF-2B	62.0000mm	72.0000mm	173.5000mm
OC 482	118.4000mm	2 1/4"-12UNS-2B		118.9000mm	301.7000mm
OC 484	135.7400mm	1 1/2"-16UNS-2B	99.0600mm	108.7100mm	307.2200mm
OC 502	93.2000mm	M27x2	62.0000mm	72.0000mm	173.5000mm
OC 508	116.4000mm	1 1/2"-12UNS-2B		110.7000mm	284.9000mm
OC 585	93.1000mm	1"-16UN-2B	62.5000mm	72.0000mm	136.3000mm

OX 153D3 ECO

OX 161D ECO

OX 174D ECO

OX 348D ECO

OX 69D

OX 71D

OX 85D

Hydraulic filter

Part No.	Housing Diameter	Overall Height	Full Length
HC 112	95.2000mm		
HC 114	119.8900mm		
HX 79			

Fuel filter

Part No.	Housing Diameter	Overall Height
KC 18	81.0000mm	156.0000mm
KC 191	94.0000mm	168.0000mm
KC 218	93.0000mm	158.0000mm
KC 227	79.0000mm	198.0000mm



Fuel filter (cont.)

Part No.	Housing Diameter	Overall Height
KC 251	108.0000mm	262.5000mm
KC 28	93.2000mm	175.0000mm
KC 430D	108.0000mm	216.0000mm
KC 6	76.0000mm	119.5000mm
KC 75	95.6000mm	212.5000mm
KL 100/2	86.5000mm	126.5500mm
KL 195	86.5000mm	121.0000mm
KL 228/2D	86.5000mm	128.7500mm
KL 313	86.5000mm	119.5000mm
KX 23		70.0000mm
KX 24	88.0000mm	112.5000mm
KX 36D		144.0000mm
KX 49D		115.0000mm
KX 65D ECO		145.0000mm
KX 67/2D ECO		102.8000mm
KX 68D ECO		115.0000mm
KX 72D1		41.0000mm
KX 80D ECO		202.5000mm

Air filter

Part No.	Overall Height	Outer Diameter	Full Length
LX 1142	350.0000mm		
LX 116	320.5000mm		
LX 1774	342.5000mm		
LX 1775	425.5000mm		
LX 1776	342.5000mm		
LX 1777	396.5000mm		
LX 18	387.5000mm	153.5000mm	
LX 2008	420.5000mm		
LX 2958	276.0000mm		
LX 2959	315.0000mm		
LXS 214	359.0000mm	86.5000mm	
LXS 24	421.0000mm		
LXS 256	342.0000mm	88.0000mm	

F.P. DIESEL	MAHLE
138937	217-3210
1805816	224-2190
1824966	226-1962
1825690	226-1963
23522026	224-2260
23522070	224-2260
24518125	218-7623
3011076	223-7209
3014668	223-7209
3081489	223-7209
326874 RETAINERS	224-3315
3802400	226-1948
3923163WP	224-3325
4000504	223-7209
670675 PIN	224-3315
FP-145701	211-1945
FP-169630	216-1141
FP-1804353	213-1725
FP-1810359-4R	226-1944
FP-1816674	224-2908
FP-1817188-WP	226-1944
FP-1817248	226-1919
FP-1817645	226-1919 226-1944
FP-1823875	211-4155
FP-1824840	211-4154
FP-1825540	212-1385
FP-1W5920	SH-2178S
FP-207241	211-3343
FP-23500501	211-2462
FP-23501576	211-3345
FP-23501577	211-3313
FP-23502067	211-2551
FP-23502068	211-2552
FP-23505278	226-4558
FP-23519625	226-1938
FP-23519637	226-1941
FP-23523392	226-4556
FP-23523951	226-1937
FP-23530226	226-4556
FP-23531249	226-4556 226-4573
FP-23532468	226-4558
FP-23532555	226-1937
FP-2W7980	229-1848
FP-3033234	211-2748
FP-3035110	211-3311
FP-3040830	211-2689
FP-3049024	229-1874

F.P. DIESEL	MAHLE
FP-3064312	217-4092
FP-3068519	211-4283
FP-3073512	217-4082
FP-3078399	211-4285
FP-3081268	224-3290
FP-3084045	211-4284
FP-3088393	211-3343
FP-3275354	216-5215
FP-3275431	224-3223
FP-3275949	224-3223
FP-3801448	229-2233
FP-3802060	224-3047 225-3526
FP-3802355	211-3201
FP-3802561-WP	225-3515
FP-3802712	224-3002 225-3525
FP-3803210	226-1873
FP-3822959	223-8147
FP-3883287	211-3315
FP-3917707	224-3012
FP-3919048-WP	224-3517.040
FP-3920691	224-3320 224-3320.020 224-3320.040
FP-3920867	211-3201
FP-3921444	211-3204
FP-3922547-WP	224-3520.020
FP-3922571-WP	224-3520
FP-3922575-WP	224-3520.040
FP-3924471	229-2435
FP-3929039	229-2430
FP-3934047	223-1932 224-3320 224-3320.020 224-3320.040
FP-3949843	224-3674.020
FP-3949844	224-3674.040
FP-3958675	224-3674
FP-3965497	224-3672
FP-3966675	224-3672.020
FP-3966676	224-3672.040
FP-3970126	224-3673.020
FP-3970127	224-3673.040
FP-3970192	224-3673
FP-4024767	226-4559
FP-4089183	224-3672.020
FP-4089184	224-3672.040
FP-4089185	224-3674.020
FP-4089186	224-3674.040

F.P. DIESEL	MAHLE
FP-4089259	224-3672
FP-4089260	224-3674
FP-4089669	224-3673
FP-4089670	224-3673.020
FP-4089671	224-3673.040
FP-5195931	224-3282
FP-6130-21-1410	SH-2136S
FP-6130-21-1420	SH-2136S
FP-6130-21-1430	SH-2136S
FP-6130-21-8011	MS-2290P
FP-6130-21-8021	MS-2290P
FP-6130-21-8500	TW-689S
FP-6130-22-2310	226-4568
FP-6130-27-8101	MS-2290P-.75MM
FP-6130-28-8101	MS-2290P-.50MM
FP-6130-29-8101	MS-2290P-.25MM
FP-6130-31-3041	CB-1907P
FP-6130-37-3041	CB-1907P-.75MM
FP-6130-38-3041	CB-1907P-.50MM
FP-6130-39-3041	CB-1907P-.25MM
FP-6134-21-8050	TW-688S
FP-6136-21-1410	SH-2135S SH-2137S
FP-6136-21-8010	MS-2289P MS-2291P
FP-6136-27-8010	MS-2289P-.75MM MS-2291P-.75MM
FP-6136-28-8010	MS-2289P-.50MM MS-2291P-.50MM
FP-6136-29-8010	MS-2289P-.25MM MS-2291P-.25MM
FP-6136-31-3130	223-3690
FP-6136-32-3130	223-3691
FP-6137-22-2210	226-4572
FP-6138-31-3040	CB-1906P
FP-6138-31-3133	223-3692
FP-6138-37-3050	CB-1906P-.75MM
FP-6138-38-3050	CB-1906P-.50MM
FP-6138-39-3050	CB-1906P-.25MM
FP-6150-21-1490	SH-2130S
FP-6150-21-8010	MS-2197P
FP-6150-27-8010	MS-2197P-.75MM
FP-6150-28-8010	MS-2197P-.50MM
FP-6150-29-8010	MS-2197P-.25MM
FP-6150-31-3040	CB-1773P
FP-6150-31-3130	223-3688
FP-6150-37-3040	CB-1773P-.75MM
FP-6150-38-3040	CB-1773P-.50MM
FP-6151-22-2220	226-4570
FP-6151-31-3040	CB-1773P

F.P. DIESEL	MAHLE
FP-6151-31-3230	223-3689
FP-6151-37-3040	CB-1773P-.75MM
FP-6151-38-3040	CB-1773P-.50MM
FP-6151-39-3040	CB-1773P-.25MM
FP-6204-21-8100	MS-2287P MS-2288P
FP-6204-21-8500	TW-687S
FP-6204-21-8600	TW-687S
FP-6204-27-8100	MS-2287P-.75MM MS-2288P-.75MM
FP-6204-28-8100	MS-2287P-.50MM MS-2288P-.50MM
FP-6204-29-8100	MS-2287P-.25MM MS-2288P-.25MM
FP-6204-31-3130	223-3680
FP-6206-21-1420	SH-2128S SH-2129S
FP-6206-21-1430	SH-2128S SH-2129S
FP-6207-31-3130	223-3681
FP-6207-31-3300	CB-1903P
FP-6207-31-3530	223-3682
FP-6207-31-3600	CB-1904P
FP-6207-37-3300	CB-1903P-.75MM
FP-6207-37-3600	CB-1904P-.75MM
FP-6207-38-3300	CB-1903P-.50MM
FP-6207-38-3600	CB-1904P-.50MM
FP-6207-39-3300	CB-1903P-.25MM
FP-6207-39-3600	CB-1904P-.25MM
FP-675442	216-1200
FP-6800086	226-1944
FP-8929442	226-4558
FP-AR7440	224-3027
FP-PK0781	224-3357 225-3355
FP-PK0784	224-3357020 225-3355.020
FP-PK0785	224-3357.040 225-3355.040
FP-PK1400	224-3337
FP-PK2049	224-3337.020
FP-PK2050	224-3337.040
FP-PK2571	224-3340 225-3520
FP-PK2574	224-3340.020 225-3520.020
FP-PK2575	224-3340.040 225-3520.040
FP-PK6631	225-3513
FP-PK6632	224-3341 225-3513

F.P. DIESEL	MAHLE
FP-PK6632	225-3513.020 225-3514.020 225-3514.040
FP-PK6634	224-3341.020 225-3515.020
FP-PK6635	224-3341.040 225-3513 225-3515.040
FP-PK9041	224-3338
FP1003652	MB-3451W MS-2000P
FP1006694	S42054 S42085
FP1006695	S42054 S42085
FP1007860	211-3339
FP1007861	211-3306
FP1010016	224-3298X
FP1010016WP	224-3298
FP1011530	MB-3454P
FP1014140	224-3392 224-3392X
FP102700A	CB-703P
FP1073565	224-3395X
FP1073565WP	224-3395
FP1077330	CB-1621P CB-1621P-25
FP1077331	CB-1621P-25
FP1077708	MB-3455P
FP1102220	223-7195
FP1105800	226-4493X
FP1105800WS	226-4493
FP1152367	211-2494
FP1152368	211-2493
FP1161359	SH-2177
FP1183732	223-7195
FP1196772	211-3307
FP1238206	226-4542X
FP1238206WS	226-4542
FP1253005	247-5235
FP127730	CB-470P
FP127731	CB-470P CB-470P-10 CB-470P-20
FP1280390	CB-1941P-.50MM
FP1290358	224-3297X
FP1290358WP	224-3297
FP1300241	224-3346X
FP130476R93	SH-220S
FP130500	224-3208
FP1326663	224-3397

F.P. DIESEL	MAHLE
FP1345251	SH-1979
FP1352837	224-3375X
FP1388506	223-1840
FP1426217	223-7195
FP1427072	223-7195
FP1495566	224-3376X 224-3399
FP1496031	MB-3466P
FP1548087	224-3396X
FP1548087WP	224-3396
FP159988A	CB-667AL
FP1608194	223-3702
FP1609874	223-7195
FP1654262	224-3368X
FP1654262WP	224-3368
FP1684531	224-3586X
FP1684531WP	224-3586
FP1687224	223-1962
FP1687226	223-1964
FP1687246	223-1846
FP1700248	CB-1266P CB-1266P-10 CB-1266P-20 CB-1266P-30 CB-1266P-40 CB-807P CB-807P-10 CB-807P-20 CB-807P-30
FP1700702	CB-1266P-10
FP1700703	CB-1266P-20
FP1700704	CB-1266P-30
FP1701325	211-2695
FP173640	TW-448S
FP1750341M1	TW-424S
FP175755	224-3220
FP1802200	CB-1327P CB-1327P-10 CB-1327P-20 CB-1327P-30 CB-1327P-40
FP1802337	229-1885
FP1802340	213-1739
FP1804000	223-3583
FP1805407	217-3450
FP1807352	224-3374X
FP1808059	CB-1365P
FP1808060	CB-1365P-10
FP1808061	CB-1365P-20
FP1808062	CB-1365P-30
FP1809683-4R	224-3315

F.P. DIESEL	MAHLE
FP1809914	224-3352
FP1809935	226-4541
FP1809938	223-7191
FP1809953	247-5186
FP1810086	211-3198
FP1810358-4R	226-1944
FP1810504WS	226-1944 226-4448
FP1810744	229-2171
FP1812301	CB-1633P CB-1633P-10 CB-1633P-20 CB-1633P-30
FP1812302	CB-1633P-10
FP1812303	CB-1633P-20
FP1812304	CB-1633P-30
FP1812321	MS-2034P
FP1812322	MS-2034P-10
FP1812323	MS-2034P-20
FP1812324	MS-2034P-30
FP1812325	MS-2034P
FP1812326	MS-2034P-10
FP1812327	MS-2034P-20
FP1812328	MS-2034P-30
FP1815674	226-1960 226-1962 226-1963 226-1964 226-4567
FP1816562	224-2908
FP1816676	224-2908.020
FP1816697	224-2908.030
FP1817178	224-3352
FP1817247	226-1960 226-1962
FP1817250-WR	226-1966
FP1817520WP	224-3296 224-3315
FP1818552	224-3348 224-3349 224-3350 224-3351 226-1960 226-1962 226-1963 226-1964
FP1818702	224-3348 224-3349 224-3350 224-3351 224-3722 226-1960 226-1962

F.P. DIESEL	MAHLE
FP1818702	226-1963 226-1964
FP1822097	224-3348 226-1960
FP1822321/1822379	MS-2096P
FP1822322	223-7211 226-1960 226-1962 226-1963 226-1964 226-4567
FP1822340	226-1960
FP1822389	CB-1659P
FP1822486	CB-1659P-10
FP1822487	CB-1659P-20
FP1822490/1822494	MS-2096P-10
FP1822491/1822495	MS-2096P-20
FP1823313	224-3350 226-1962
FP1823843	MS-1642P
FP1823844	MS-1642P-10
FP1823845	MS-1642P-20
FP1823846	MS-1642P-30
FP1823847	MS-1343P
FP1823848	MS-1343P-10
FP1823849	MS-1343P-20
FP1823850	MS-1343P-30
FP1823859	MS-1342P
FP1823860	MS-1342P-10
FP1823861	MS-1342P-20
FP1823863	CB-1394P
FP1823864	CB-1394P-10
FP1823865	CB-1394P-20
FP1823866	CB-1394P-30
FP1824810	224-3349 226-1964
FP1824823	226-1964
FP1825461	226-1963 226-1964
FP1825585	224-3351 226-1963
FP182GC2223	223-1965
FP1830060	224-3722
FP1830715	226-2067
FP1833092	224-3722
FP1836192	226-2066 226-2066
FP1836299	226-2065
FP1842553	226-4580

F.P. DIESEL	MAHLE
FP1842570	CB-1847P
FP187420	223-3545
FP1878969	SH-2180
FP187GB138	223-3544
FP189770	CB-1073P
FP189771	CB-1073P-10
FP189772	CB-1073P-20
FP191970	223-1826
FP194840	247-5002
FP195000	218-7800
FP195240	247-5066
FP1979322	226-4506X
FP1979322WS	226-4506
FP1979372	223-5547
FP1M6107	223-3568
FP1N3601	S41287
FP1N3821	CB-1599P-10
FP1N3822	CB-1599P-20
FP1N3967	S41832
FP1N4336	CB-778AL
FP1N4337	CB-778AL-25
FP1N4338	CB-778AL-50
FP1S9543	223-5502
FP1W0311	MB-3414P MS-2000P
FP1W0312	MB-3415P MS-2000P
FP1W1661	MB-3415P-10
FP1W2070	224-2188.020
FP1W5060	229-1848
FP1W5105	S40538
FP1W5283	218-7805
FP1W5794	224-2188.020
FP1W6055	S40538
FP1W8539	CB-1232AL
FP1W8922	S41846 S41890
FP1W9771	247-5103
FP200600	CB-965P
FP200601	CB-965P-10
FP200602	CB-965P-20
FP200680	224-3220
FP200800	224-2124
FP201950	247-5003
FP202227	223-8133
FP203070	224-3220
FP203170	226-4456
FP2035805	SH-2174
FP2036090	SH-2175
FP203660	CB-625P

F.P. DIESEL	MAHLE
FP203661	CB-625P-10
FP203662	CB-625P-20
FP203663	CB-625P-30
FP203670	CB-296P
FP203671	CB-296P-10
FP203672	CB-296P-20
FP203673	CB-296P-30
FP203674	CB-296P-40
FP205269	224-2124
FP205840	CB-1357P
FP205841	CB-1357P-10
FP205842	CB-1357P-20
FP207460	CB-179P
FP2110592	MB-2848AL
FP2117826	226-4557X
FP214950	CB-1226P
FP214951	CB-1226P-10
FP214952	CB-1226P-20
FP214953	CB-1226P-30
FP214954	CB-1226P-40
FP215390	224-2091
FP215SB72DP1	MS-954P MS-954P-10 MS-954P-20 MS-954P-30
FP215SB72DP2	MS-954P-10
FP215SB72DP3	MS-954P-20
FP215SB72DP4	MS-954P-30
FP216010	CB-1381P
FP2165583	SH-2166
FP2165584	SH-2167
FP2165585	SH-2168
FP2165586	SH-2176
FP2170577	CB-1941P
FP220010	CB-1239P
FP2246638	CB-1620P
FP227559	CB-781AL
FP2323233	MB-2580AL MS-1113AL MS-1114AL
FP234184	MS-878AL
FP23502020	226-4466
FP23502021	226-4466
FP23502022	226-4466
FP23502023	226-4464
FP23502024	226-4464
FP23502025	226-4464
FP23502165	247-5014
FP23504931	226-4220
FP23504932	226-4220

F.P. DIESEL	MAHLE
FP23504933	226-4220
FP23504936	226-4466.001
FP23505306	226-1633
FP23505308	226-1220
FP23505309	226-1220
FP23505313	226-1946
FP23506350	211-3313
FP23511129	CB-1596P
FP23511133	CB-1596P CB-1596P-10 CB-1596P-20
FP23511135	CB-1596P-20
FP23511625	226-1946
FP23511627	226-1946.010
FP23514285	226-4556
FP23515581	CB-1792P CB-1792P-.25MM CB-1792P-.50MM
FP23515582	CB-1792P-.25MM
FP23515583	CB-1792P-.50MM
FP23516300	226-1946
FP23516302	226-1946.010
FP23516681	224-3305
FP23516861	224-2360
FP23516862	224-2360
FP23518571	217-4076
FP23518986	226-1946
FP23518988	226-1946.010
FP23519636	226-1940
FP23521649	223-1850
FP23521802	224-3305 224-3583
FP23522491	226-1945.010
FP23522495	224-2360
FP23522519	226-1946
FP23522947	226-1946
FP23522951	226-1946.010
FP23522953	226-1945
FP23523948	226-4556
FP23523952	226-1940
FP23524339	226-1739
FP23524341	226-1738
FP23525168	223-1851
FP23526142	CB-1836P CB-1836P-.25MM CB-1836P-.50MM
FP23527065	CB-1836P-.25MM
FP23527066	CB-1836P-.50MM
FP23528493	223-4000
FP23530661	226-2043

F.P. DIESEL	MAHLE
FP23530665	226-2045
FP23530666	224-3627
FP23530668	224-3629
FP23532361	226-4558
FP23532554	226-1992
FP23532556	226-1940
FP23532561	226-1990
FP23532590	226-1938
FP23532591	226-1941
FP23532882	224-3628
FP23532883	226-1991
FP23532884	224-3630
FP23533452	226-2046
FP23534264	226-4556
FP23537594	226-1993
FP2382698	224-3791X
FP2382726	224-3794X
FP2382726 020 OVER	224-3794X.020
FP240GC1550AP1	224-1859
FP240GC579	224-2258
FP25998H	223-3361
FP2627330	224-3804X
FP2629288	224-3803X
FP2920484	CB-1931P
FP294458C1	CB-633P CB-633P-10 CB-633P-20
FP2M5558	224-3202X
FP2M6499	CB-817AL CB-817AL-10 CB-817AL-25 CB-817AL-40 CB-817AL-75
FP2M6500	CB-817AL-25
FP2N8943	218-7808
FP2W0027	223-3695 CB-1620P
FP2W1707	S41394
FP2W1709	S40963
FP2W2621	211-2491
FP2W4831	224-2188X
FP2W4831WP	224-2188
FP2W6091	S41653
FP2W6134	223-7188
FP2W7458	247-5050
FP2W8265	S41542 S41883
FP2W82653R	S41685
FP2W8410	224-2188X.020 225-2513.020

F.P. DIESEL	MAHLE
FP2W8410WP	224-2188.020
FP3002834	SH-2165
FP3006456	217-3916
FP3007525	226-4544
FP3011076	223-7183 223-7209
FP3012360	CB-1631P
FP3012361	CB-1631P-10
FP3012362	CB-1631P-20
FP3012363	CB-1631P-30
FP3014668	223-7183 223-7209
FP3016652	224-2271
FP3016760	CB-1382P
FP3016761	CB-1382P-.25MM
FP3016762	CB-1382P-.50MM
FP3016763	CB-1382P-.75MM
FP3017349	224-2144
FP3017759	218-3732
FP3018210	MS-2019P
FP3018211	MS-2019P-10
FP3018818	217-3446
FP3019287	224-2091
FP3022157	226-4544
FP3027105	223-3698
FP3028685	224-2197
FP3028686	224-2339
FP3029340	247-5049
FP3029341	247-5068
FP3031037	SH-1394S SH-1395S
FP3032874	223-7158
FP3033314	217-3332 217-4082
FP3037413	224-2091
FP3042318	224-3249
FP3042320	224-2262
FP3044448	224-2271
FP3044795	223-7158
FP3045948	224-2819
FP3046325	226-4477
FP3047188	223-7200
FP3047390	CB-1619P
FP3047391	CB-1619P-10
FP3047392	CB-1619P-20
FP3048650	224-2342
FP3048808	224-2821
FP3048809	224-2820
FP3050366	224-2822
FP3050480	224-2823

F.P. DIESEL	MAHLE
FP3051553	224-2341
FP3051554	224-2340
FP3051556	224-2344
FP3051557	224-2343
FP3052794	224-2818
FP3054936	226-4486
FP3055099	226-4414
FP3055145PR	CB-1616P
FP3055146	CB-1616P-10
FP3055147	CB-1616P-20
FP3055622	224-3276
FP3064304	223-1960
FP3064305	223-5540
FP3065405	226-4486
FP3065406	223-8012
FP306708R1	223-3566
FP3067568	TW-369S TW-369S+10
FP3069212	224-2743
FP3070536R11	CB-647P
FP3080760	226-4546
FP3081269	224-3284
FP3081489	223-7183 223-7209
FP3088391	211-3311
FP3095739	224-3289
FP3096681	224-3313
FP3096685	224-3333
FP31126311	CB-1209AL
FP31137311	TW-316S
FP3161653	TW-457S
FP3166410	211-4282
FP3202210	217-4073
FP326562R1	223-3625
FP326751	224-3352
FP326874	224-2028
FP3275356	211-2450
FP3277332	223-3564
FP3278173	217-3289
FP3278345	SH-1394S SH-1395S
FP337265R11	CB-685P CB-685P-10 CB-685P-20 CB-685P-30
FP3418020	211-3347
FP3418021	211-3316
FP3608833	247-5001
FP3631241	224-3333
FP3631245	224-3313

F.P. DIESEL	MAHLE
FP3631248	S41882
FP364913R1	223-3624
FP372129R91	CB-206P
FP3800328	226-4566
FP3800781	224-3355 224-3357
FP3800800	226-1852
FP3800801	226-1851
FP3800838	224-3356 225-3354
FP3800841	225-3354.020
FP3800842	225-3354.040
FP3800891	211-4282
FP3801030	229-1923
FP3801106	SH-1529S
FP3801150	MS-1716P
FP3801151	MS-1716P-.25MM
FP3801152	MS-1716P-.50MM
FP3801153	MS-1716P-.75MM
FP3801260	MS-1687P
FP3801261	MS-1687P-10
FP3801262	MS-1687P-20
FP3801263	MS-1687P-30
FP3801317	226-1836
FP3801393	224-2343
FP3801393WP	224-2343
FP3801533WP	224-3249
FP3801534	224-2819
FP3801535	224-2262
FP3801535WP	224-2262
FP3801703	224-2342
FP3801703WP	224-2342
FP3801744	224-2823
FP3801744WP	224-2823
FP3801746	226-1839
FP3801764	226-1769
FP3801765	226-1748
FP3801766	224-2341
FP3801766WP	224-2341
FP3801768	226-1749
FP3801771	226-1745
FP3801772	226-1860
FP3801773	224-2344
FP3801773WP	224-2344
FP3801774	226-1770
FP3801775	226-1760
FP3801776	226-1771
FP3801777	226-1750
FP3801779	226-1772
FP3801780	226-1773

F.P. DIESEL	MAHLE
FP3801781	226-1774
FP3801795	226-1747
FP3801817	226-1831
FP3801818	224-2822
FP3801818WP	224-2822
FP3801819	224-2821
FP3801820	224-2820
FP3801822	226-1837
FP3801823	226-1835
FP3801824	226-1833
FP3801826	226-4414
FP3801872	226-1646
FP3801873	226-1775
FP3801876	224-2340
FP3801876WP	224-2340
FP3801954	224-2818
FP3801956	226-1841
FP3801956(20/40)	226-1842
FP3802006	211-3202
FP3802010	MS-1718P
FP3802011	MS-1718P-.25MM
FP3802012	MS-1718P-.50MM
FP3802013	MS-1718P-.75MM
FP3802030	224-3342 225-3321
FP3802032	224-3342.020 225-3321.020
FP3802034	224-3342.040 225-3321.040
FP3802040 R/S	224-3047
FP3802042 R/S	224-3047.020
FP3802044 R/S	224-3047.040
FP3802062	224-3047.020
FP3802064	224-3047.040
FP3802070	MS-1717P MS-2328P
FP3802071	MS-1717P-.25MM MS-2328P-.25MM
FP3802072	MS-1717P-.50MM MS-2328P-.50MM
FP3802073	MS-1717P-.75MM MS-2328P-.75MM
FP3802090	224-3345 225-3345
FP3802210	MS-1740P
FP3802211	MS-1740P-.25MM
FP3802212	MS-1740P-.50MM
FP3802230	224-3320
FP3802234	224-3320.040
FP3802356	211-3202

F.P. DIESEL	MAHLE
FP3802370	226-4496
FP3802388	226-1894
FP3802401	226-1950
FP3802402	226-1949
FP3802403	226-1951
FP3802404	226-1947
FP3802406	226-1899
FP3802407	226-4547
FP3802422	224-3320.020
FP3802429	S41677
FP3802463	211-3203
FP3802561	224-3515
FP3802562WP	224-3320
FP3802601	225-3330A
FP3802711	224-3003 225-3523
FP3802757	225-3322
FP3802759	225-3322.040
FP3802811	226-1917
FP3803209	226-1840
FP3803211	226-1796
FP3803212	226-1794
FP3803213	226-1792
FP3803214	226-1793
FP3803215	226-1834
FP3803216	226-1832
FP3803217	226-1836
FP3803219	226-1822 226-4486
FP3803221	226-1848
FP3803344	224-2743
FP3803346	226-1821
FP3803471	S41889
FP3803515	211-3343
FP3803519	211-2689
FP3803524	211-1945
FP3803703	226-4546
FP3803739	224-3776
FP3803740	226-2040
FP3803741	224-3775
FP3803742	226-2039
FP3803755	226-1911
FP3803755(20/40)	226-1912
FP3803758	224-3284
FP3803759	226-1903
FP3803759(20/40)	226-1908
FP3803961	S41371
FP3803965	224-2271

F.P. DIESEL	MAHLE
FP3804414	224-2339 224-3289
FP3804444	226-1905
FP3804474	226-1907
FP3804500	S41886 S41887
FP3804630	224-3777
FP3804636	226-2041
FP3805758	225-3322.020
FP3819989	247-5133
FP3820566	SH-1773 SH-1773S
FP3820566S	SH-1773S
FP3821572	601-8035
FP382357R91	MS-683P-20
FP3901085	223-3644 223-3717
FP3901170	CB-1413P
FP3901171	CB-1413P-.25MM
FP3901172	CB-1413P-.50MM
FP3901173	CB-1413P-.75MM
FP3901306	SH-1404
FP3901430	CB-1409P
FP3901431	CB-1409P-.25MM
FP3901432	CB-1409P-.50MM
FP3901433	CB-1409P-.75MM
FP3901607	211-3202
FP3901608	211-3202
FP3901685	SH-1402
FP3903579	224-3321
FP3906208 PISTON	224-3047.040
FP3906208WP	224-2574.040 224-3526.040
FP3906209 PISTON	224-3047.020
FP3906209WP	224-2574.020 224-3526.020
FP3906223 PISTON	224-3047
FP3906223WP	224-2574 224-3526
FP3907156WP	224-2575 224-3523
FP3907157WP	224-2575.020 224-3523.020
FP3907158WP	224-2575.040 224-3523.040
FP3907163	224-2573
FP3907163WP	224-2573 224-3525
FP3907177	223-7201

F.P. DIESEL	MAHLE
FP3907792	226-4496
FP3908815	224-2573.020
FP3908815WP	224-2573.020
FP3908816	224-2573.040
FP3908816WP	224-2573.040 224-3525.040
FP3913990	223-3642
FP3917619	224-3318
FP3919041	224-3317
FP3919044	224-3317.020
FP3919045	224-3317.040
FP3919047	224-3318.020
FP3919048	224-3318.040
FP3919937	226-4547
FP3920691 RTNRS	224-3047 224-3047.020 224-3047.040
FP3920868	211-3202
FP3922571	224-3319
FP3922574	224-3319.020
FP3922575	224-3319.040
FP3923164WP	224-3326
FP3923165WP	224-3327
FP3924492	211-3203
FP3925878	224-3330A
FP3925879	224-3330B
FP3925880	224-3330C
FP3925881	224-3330D
FP3926635	224-3320.040 224-3513.040
FP3926635-WP	224-3513.040
FP3926963	224-3331C
FP3928674	224-3323.020
FP3928674WP	224-3323.020
FP3928675	224-3323.040
FP3928675WP	224-3323.040
FP3929036	247-5177
FP3929037	247-5130
FP3929161	224-3293
FP392964	224-3331D
FP3930187	224-3322
FP3930188	224-3322.020
FP3930189	224-3322.040
FP3934047	223-1932
FP3934048 PIN	224-3047 224-3047.020 224-3047.040
FP3940059	SH-1981
FP3941476	223-3644
FP3943446	224-3332

F.P. DIESEL	MAHLE
FP3945329	SH-1402 SH-2183
FP3946050	224-3356 225-3354
FP3946054	224-3354.040
FP3946153	224-3355 224-3357
FP3946156	224-3355.020
FP3946157	224-3355.040
FP3948095	226-4566
FP3970951	223-3642
FP3H6767	223-1831
FP3S1826	224-3231X
FP3S3977	223-7107 223-7132
FP3S4029	S40574
FP3S4031	S41822
FP4000504	223-7209
FP4007700	CB-1355P
FP4009220	226-4559
FP4009233	226-4561
FP4019886	224-3328
FP4020049	223-3558
FP4024775	226-4561
FP4024942	S41886
FP4025031	223-3559
FP4025120	MS-2318P
FP4025121	MS-2318P-.25MM
FP4025122	MS-2318P-.50MM
FP4025123	MS-2318P-.75MM
FP4036261	CB-1354P
FP4061447	TW-304S
FP4083243	224-2271
FP4089489	S41886 S41887
FP4089500	S41882
FP4089793	S41885
FP4089810	S41888
FP4089811	S41889
FP428046	217-3325
FP43067	223-3696
FP4347299	CB-700P
FP4386372	CB-1632P
FP446474C1	223-3584
FP448139	SH-681S
FP45748DAR	223-3443
FP47108F	223-3631
FP489101	211-2694
FP4891178	223-3644 223-3718

F.P. DIESEL	MAHLE
FP489172	229-2115
FP4926017	TW-703S
FP4926019	TW-703S
FP4944137	223-3726
FP4955365	225-3732
FP4956007	225-3732.020
FP4F5409	212-1393
FP4F6486	226-4532X
FP4F6486WS	226-4532
FP4F7021	223-5504
FP4H0621	217-3283
FP4L4653	MB-2597W TW-226S
FP4M5489	223-1828
FP4M9111	224-3189X
FP4M9111WP	224-3189
FP4M9183	223-3580
FP4N0685	SH-1487 SH-2186
FP4N6658	SH-1488 SH-2187
FP4N7692	247-5067
FP4P2654	224-3271X
FP4P2654RS	S41670 S41841
FP4P8495	223-3586
FP4S9396	MB-2585AL-25
FP4W5698	MB-2848AL-25
FP4W5699	MB-2848AL-50
FP4W5702	CB-1262AL-25
FP4W5703	CB-1262AL-50
FP4W5739	CB-619AL
FP4W8091	MB-2735P MS-1420P MS-1421P MS-1422P
FP4W8092	MB-2734P MS-1420P MS-1421P MS-1422P
FP4W8093	MB-2733P MS-1420P
FP4W9022	MS-1422P-10
FP4W9023	MS-1422P-20
FP4W9064	MS-1422P-20
FP4W9065	MS-1422P-10
FP509GC463	226-4615
FP5101101	218-7373
FP5101677	247-5009
FP5101677(.010)	247-5022
FP5101677(.010)	247-5022

F.P. DIESEL	MAHLE
FP5102317	226-1220.010
FP5102318	226-1220.020
FP5102795	226-4464
FP5103264	247-5005 247-5024
FP5106990	223-3634
FP5107176	226-4470
FP5111337	216-5234
FP5111339	212-1079
FP5113953	226-4466
FP5116197	MB-2522W TW-412S
FP5117005	MB-2523W MS-1385P MS-1385P-10 MS-1385P-20 MS-1385P-30 MS-1386P-10 MS-1386P-30 TW-402S
FP5121256	223-7140
FP5129919	217-3832 217-3946
FP5132803	226-4415
FP5144019	212-1110
FP5144872	224-2272
FP5146733	247-5023
FP5146733(010)	247-5006
FP5146733(010)	247-5006
FP5148490	218-7813
FP5148505	226-4467
FP5149234	224-2485
FP5149263	226-1633.010
FP5149300	226-1946.010
FP5149359	S41449
FP5149452	CB-1265P
FP5149454	CB-1265P-10
FP5149455	CB-1265P-20
FP5149565	MB-2687P MS-1385P
FP5149565/5117005	MS-1386P
FP5149567	MB-2687P-10 MS-1385P-10 MS-1386P-10
FP5149568	MB-2687P-20 MS-1385P-20
FP5149568/5117005	MS-1386P-20
FP5149572	CB-555P
FP5149575	CB-555P CB-555P-10

F.P. DIESEL	MAHLE
FP5149577	CB-555P-20
FP5149579	CB-555P-30
FP5149771	211-2439
FP5149963/23508986	224-2272
FP5157274	223-3462
FP5159353	MB-2524W MS-885P MS-885P-10 MS-885P-20 TW-411S
FP5159353S	TW-411S
FP5189054	224-2469
FP5191723	MB-1276P-10
FP5192874	MB-1276P
FP5192876	MB-1276P-10
FP5192877	MB-1276P-20
FP5193733	226-4466.010
FP5193738	MB-1276P MB-1276P-10 MB-1276P-20
FP5195948	211-1863
FP5196022	SH-468
FP5196026	SH-525
FP5196753	TW-402S
FP5197176	211-2536
FP5197944	SH-701S
FP5197975	CB-674P
FP5197977	CB-674P-10
FP5198209	SH-699S
FP5198410	MS-885P
FP5198412	MS-885P-10
FP5198413	MS-885P-20
FP5198431	SH-698S
FP5198547	CB-1180P
FP5198877	224-2486
FP5198899	226-1477
FP5198901	S41449
FP5198903	226-1478
FP5198984	SH-700S
FP5199573	224-2360
FP5199822	226-1946
FP554785	224-2124
FP555421	223-3565
FP556350	CB-994P
FP556351	CB-994P-10
FP57GC266	SH-993S
FP57GC267	SH-563S
FP57GC268	SH-676S
FP57GC279	TW-422S
FP5F3111	212-1395

F.P. DIESEL	MAHLE
FP5M7469	MS-957AL
FP5M7470	MS-958AL
FP5P4173	223-8146
FP5P8970	223-7124
FP5P9221	223-7115
FP5S2886	224-3258
FP5S6449	211-2753
FP5S6452	211-2752
FP5S6670	223-7188
FP5S7570	S41670
FP6136312112	224-3381
FP6136322110	224-3382
FP6136322120	224-3383
FP6137322110	224-3384
FP6150218050	TW-602S
FP6150312112	224-3387
FP6150393040	CB-1773P-.25MM
FP6151312171	224-3388
FP6204312121	224-3389
FP6207312141	224-3390
FP6209312141	224-3391
FP62GB2382P1	CB-1379P CB-599P CB-599P-10 CB-599P-20 CB-599P-30
FP62GB2382P10	CB-1379P-10 CB-599P-10
FP62GB2382P20	CB-1379P-20 CB-599P-20
FP62GB2382P30	CB-1379P-30 CB-599P-30
FP62GB2393P1	CB-1379P
FP62GB2393P10	CB-1379P-10
FP62GB2393P20	CB-1379P-20
FP62GB2393P30	CB-1379P-30
FP62GB2396P1	CB-1598P
FP62GB2396P10	CB-1598P-10
FP62GB2396P20	CB-1598P-20
FP66890	217-3606
FP670675	224-2028
FP6742015160	SH-2183
FP675006	223-3595
FP675046	211-2355
FP675669	247-5048
FP675899C1	223-3627
FP676865	211-2356
FP680117	SH-994S
FP681314	CB-675P CB-675P-10 CB-675P-20



F.P. DIESEL	MAHLE
FP681314	CB-675P-30 CB-675P-40
FP681315	CB-675P-10
FP681316	CB-675P-30
FP684255	224-2028
FP687382	CB-675P-20
FP688GC2378	211-3174
FP690GC2210	211-3173
FP6H3026	211-3350
FP6I0497	S42054 S42085
FP6I1453	247-5146
FP6I4609	224-3393X
FP6N2236	217-4063
FP6N5673	229-1848
FP6N8903	224-2188.020
FP6N8940	MB-2580W
FP6N8940S	TW-252S
FP6V3774	223-7192
FP70012R1	223-3469
FP701GC11A	SH-566WS
FP70437	SH-1379
FP714GC211AP1	MB-1373W
FP734615M91	TW-130S
FP7C0111	223-5516
FP7C0115	223-1853
FP7C2431	224-3265X
FP7C2888	224-3378X
FP7C3496	224-3268X
FP7C3862	229-2189
FP7C4859	247-5026
FP7C6209	MB-3466W
FP7C6976	CB-1620P-.25MM
FP7C6977	CB-1620P-.50MM
FP7E0539	224-3028X
FP7E0558	CB-1622P-25
FP7E0559	CB-1622P-50
FP7E1177	223-5511
FP7E2899	S42074
FP7E3428	224-3749X
FP7E4729	224-2568X
FP7E4729RS	S41542
FP7E5213	S41771
FP7E5214	S41772
FP7E5665	223-5507
FP7E7894	CB-1215P
FP7E7998	CB-1621P-25
FP7E8700	224-3291X
FP7E9262	MB-3448W TW-583S

F.P. DIESEL	MAHLE
FP7E9262S	TW-583S
FP7M4926	223-5505
FP7M7358	211-2490
FP7M7817	211-3353
FP7N1366	224-3185X
FP7N1366WP	224-3185
FP7N2048	SH-1761
FP7N3511	224-3238
FP7N3511WP	224-3238
FP7N4515	224-3026X
FP7N4515WP	224-3026
FP7N5036	224-3022X
FP7N5036WP	224-3022
FP7N9803	223-1836
FP7N9804	223-1829
FP7N9805	223-1835
FP7N9806	223-1833
FP7N9807	223-1839
FP7N9810	223-1832
FP7S9439	MB-2581AL
FP7S9844	MB-2581AL-10
FP7S9845	MB-2581AL-20
FP7S9846	MB-2581AL-30
FP7W2136	CB-694AL
FP7W38463R	224-3274X
FP7W38463R20	224-3274X.020
FP7W38463R40	224-3274X.040
FP7W5844	223-3712
FP7W8064	211-4193
FP7X2908	223-5543
FP8920078	223-3579
FP8921501	218-7817
FP8921502	218-7817
FP8921605	224-2252
FP8921714	CB-1288P CB-1288P-30
FP892171420	CB-1288P-10
FP8922110	SH-2181S
FP8922118	MB-2687P-30 MS-1385P-30 MS-1386P-30
FP8922118/5117005	MS-1386P-30
FP8922453	224-2252.020
FP8922516	211-2462
FP8924359	MB-1897P MB-1897P-10
FP8924703	CB-1288P-10 CB-1288P-20
FP8925815	224-2251

F.P. DIESEL	MAHLE
FP8925816	224-2251
FP8925817	224-2251
FP8925818	224-2251
FP8926921	247-5042
FP8926922	247-5041
FP8926923	247-5028
FP8926924	247-5027
FP8927189	223-7186
FP8927993	247-5043
FP8929013	223-7207
FP8929085	TW-600S
FP8929085S	TW-600S
FP8929126	218-8002
FP8929176	223-7207
FP8929628	218-8002.010
FP8929629	218-8002.020
FP8929670	MS-2092P
FP8929670/8929680	MS-2093P
FP8929671	MS-2092P-10 MS-2093P-10
FP8929672	MS-2093P-20
FP8929680	MS-2092P
FP8929681	MS-2092P-10 MS-2093P-10
FP8929682	MS-2093P-20
FP8929690	SH-1986
FP8929710	CB-1662P CB-1662P-10
FP8929711	CB-1662P-10
FP8B8976	MB-2733P-30
FP8H1993	211-2351
FP8H1994	211-2352
FP8H2000	224-3228X
FP8N0701	223-3569
FP8N0705	223-3585
FP8N0706	223-3577
FP8N0822	S41159
FP8N0875	211-2492
FP8N0931	224-3235X
FP8N1608	223-1830
FP8N1849	223-3643
FP8N2275	223-3570
FP8N3182	224-3369X
FP8N3182WP	224-3369
FP8N3184	224-3248
FP8N3184WP	224-3248
FP8N3723	211-3324
FP8N5339	CB-694AL-25
FP8N5676	226-4465X



F.P. DIESEL	MAHLE
FP8N5676WS	226-4465
FP8N5760	S41329
FP8N6308	CB-1599P
FP8N7294	223-5506
FP8N7296	223-5508
FP8N7764	MB-2597AL MS-1058AL MS-1059AL MS-1069AL
FP8N7765	MB-2597AL-25 MS-1069AL-25
FP8N7769	CB-970AL CB-970AL-50
FP8N7770	CB-970AL-25
FP8N7771	CB-970AL-50
FP8N7923	MS-1048AL MS-1048AL-25
FP8N7924	MB-2585AL-25
FP8N7928	MS-1048AL MS-1048AL-25
FP8N7933	CB-964AL
FP8N7934	CB-964AL-25
FP8N7935	CB-964AL-50
FP8N8221	CB-619AL-10
FP8N8222	CB-619AL-20
FP8N8223	CB-619AL-30
FP8N8225	MB-2580AL-10 MS-1113AL-10 MS-1114AL-10
FP8N8226	MB-2580AL-20 MS-1113AL-20 MS-1114AL-20
FP8N8227	MB-2580AL-30 MS-1113AL-30 MS-1114AL-30
FP8N8926	MS-1422P-10
FP8N8928	MS-1594P
FP8N8929	MB-2736P MS-1422P
FP8N8930	MS-1594P-20
FP8N8931	MS-1422P-20
FP8N8971	MS-1593P-20
FP8N8972	MB-2733P-20 MS-1420P-20
FP8N8973	MS-1593P
FP8N8976	MB-2733P-10 MS-1420P-10
FP8N9019	MS-1592P-20 MS-1593P-20 MS-1594P-20
FP8N9021	MS-1592P MS-1593P

F.P. DIESEL	MAHLE
FP8N9021	MS-1594P
FP8N9022	MB-2734P-10 MS-1420P-10 MS-1421P-10
FP8N9023	MS-1420P-20
FP8N9064	MS-1420P-20
FP8N9064	MB-2735P-20 MS-1421P-20
FP8N9065	MB-2735P-10 MS-1420P-10 MS-1421P-10
FP8N9067	MS-1592P MS-1593P MS-1594P
FP8N9068	MS-1592P-20 MS-1593P-20 MS-1594P-20
FP8N9174	226-4505X
FP8N9174WS	226-4505
FP8S2240	226-4518X
FP8S2240WS	226-4518
FP910179	CB-609P
FP911776	213-1649
FP918103	MS-766P
FP92727	SH-142S
FP92744	SH-614S
FP9E6047	S41670
FP9F1848	223-3571
FP9F858010	CB-400AL-10
FP9F8581	CB-400AL-10 CB-400AL-20 CB-400AL-30 CB-400AL-50
FP9H3984	223-3574
FP9H4015	223-5503
FP9H9164	212-1398
FP9L5854	223-7195
FP9L7682	211-2455
FP9L7683	211-2456
FP9L77373RWP	224-2786
FP9L9172	212-1289
FP9M3205	218-7806
FP9M4163	211-2489
FP9M5349	212-1386
FP9M5350	212-1387
FP9M6211A	CB-200P
FP9N2837	218-7807
FP9N2874	224-3275X
FP9N2874WP	224-3275
FP9N3617	212-1288
FP9N5082	223-3628

F.P. DIESEL	MAHLE
FP9N5246	SH-1245 SH-2178S
FP9N5250	224-3034X
FP9N5250WP	224-3034
FP9N5403	224-3251X
FP9N5406	224-2188.020
FP9N5921	CB-1215P-20
FP9N5923	CB-927P CB-972P
FP9N5923030	CB-972P-30
FP9N5924	CB-972P-10
FP9N5925	CB-972P-20
FP9N6221	247-5007
FP9N6275	226-4487
FP9N9520	CB-1215P-10
FP9S3037	MB-3057W TW-409S
FP9S3037S	TW-409S
FP9S3068	S40963
FP9Y3368	223-8015
FP9Y4004	224-3244X
FP9Y4004WP	224-3244
FP9Y4124	224-3394X
FP9Y6773	224-2568.020 224-2568.040
FP9Y7212	224-3245X
FP9Y7212WP	224-3245
FP9Y7735	CB-1622P
FP9Y9497	CB-1262AL
FP9Y9889	224-3023X
FP9Y9889WP	224-3023
FPA151075	SH-1191S
FPA23544	SH-705S
FPA23577	SH-704S
FPA41758	CB-1237P
FPA43173	CB-686P
FPA46050	CB-655P
FPA50975	CB-1328P
FPA62572S	TW-355S
FPA62573	TW-354S
FPA62573S	TW-354S
FPAR101268	MS-1624P
FPAR101271	CB-1356P
FPAR10172	601-8034 601-8035
FPAR11909	226-1571
FPAR11930	S41885
FPAR12098	S41314
FPAR12250	MS-2018P
FPAR12251	MS-2018P-10

F.P. DIESEL	MAHLE
FPAR12270	MS-1625P
FPAR12271	MS-1625P-10
FPAR12272	MS-1625P-20
FPAR3560	224-3269 226-1863
FPAR3640	MS-1265P
FPAR3641	MS-1265P-10
FPAR3642	MS-1265P-20
FPAR3643	MS-1265P-30
FPAR45723	CB-669P
FPAR49242	MS-837P
FPAR49243	MS-836P MS-838P MS-839P
FPAR51477	223-7077
FPAR53020	CB-1225AL
FPAR57208	CB-1225AL
FPAR60740	224-2124
FPAR69098	CB-1230P CB-1230P-10 CB-1230P-20 CB-1230P-30
FPAR73277	CB-1267P
FPAR7383	226-1506
FPAR7420	224-3220
FPAR74814	MS-1526P MS-1527P MS-1528P MS-1529P
FPAR7510	224-1538
FPAR8069	226-4456
FPAR97517	CB-1231AL
FPAT10123T	CB-637P
FPB024138	223-3629
FPB027269	CB-1236P
FPBM27253	SH-568S
FPBM99820	MS-1061P
FPBM99821	MS-1061P-10
FPBM99822	MS-1061P-20
FPBM99823	MS-1061P-30
FPBM99830	MS-1060P
FPBM99831	MS-1060P-10
FPBM99832	MS-1060P-20
FPBM99833	MS-1060P-30
FPC5NE6211A1	CB-757AL
FPC5NE6261B	SH-652
FPCK27945405	226-1842
FPEAA6207A	223-3546
FPF163T103	MS-886P
FPF400G340	CB-79P
FPF400G341	CB-78P

F.P. DIESEL	MAHLE
FPF400T181	SH-56S
FPF600T250	SH-190S
FPFO600T105	MS-889P
FPG176G305	CB-616P
FPG49659	223-3530
FPLK0539	226-1901
FPLK1010016	226-1922
FPLK1290338	226-1968
FPLK1290358	226-1889
FPLK1366	226-1721
FPLK15545405	226-1883
FPLK15555405	226-1884
FPLK1646560	226-2047
FPLK1654262	226-1968
FPLK166630	226-1863
FPLK1684531	226-1988
FPLK1723280	226-2042
FPLK2654	226-1861
FPLK3102	226-1968
FPLK3116	226-1898
FPLK3182	226-1967
FPLK4004	226-1734
FPLK5036	226-1690
FPLK5250	226-1695
FPLK5403	226-1882
FPLK5558	226-1685
FPLK6757	226-1889
FPLK7212	226-1733
FPLK8700	226-1918
FPLK9111	226-1697
FPLK9372	226-1734
FPLK9889	226-1855
FPMBK3004	MS-875AL
FPOR1695	226-1882
FPPK4831	224-2513 225-2513
FPPK6208	224-3047.040 225-3526.040
FPPK6209	224-3047.020 225-3526.020
FPPK6223	224-3047 225-3526
FPPK7157	224-3003.020 225-3523.020
FPPK7158	224-3003.040 225-3523.040
FPPK8410	224-2513.020 225-2513.020
FPPK8673	224-3344
FPPK8674	224-3344.020 225-3323.020

F.P. DIESEL	MAHLE
FPPK8675	224-3344.040 225-3323.040
FPPK8815	224-3002.020 225-3525.020
FPPK8816	224-3002.040 225-3525.040
FPPK8921605	224-2997 224-3501
FPPK892160530	224-3501.030
FPPK8925818	224-2998 224-3502
FPPK892581830	224-3502.030
FPR42173	223-3590
FPR46903	SH-785S SH-786S
FPR55647	223-3596
FPR800G204	223-3429
FPRE27348	CB-759AL
FPRE27352	MS-1459AL MS-873AL MS-874AL MS-875AL
FPRE28919WP	224-3762
FPRE28966	226-2063
FPRE507850	226-2059
FPRE507920	226-2061
FPRE53073	226-2062
FPRE59277	224-3759
FPRE59279	224-3758
FPS6587L	223-3636
FPVT2621	SH-502S
FPY400T139	SH-191S
LK1073565	226-1974
LK1168154	226-2057
LK1290338	226-1968
LK1548087	226-1975
LK1601131	226-2038
LK1654262	226-1968
LK2121	226-2021
LK3102	226-1968
LK3116	226-1898
LK312141	226-2022
LK3182	226-1967
LK4004	226-1734
LK4515	226-1844
LK5250	226-1695
LK7212	226-1733
PK1-2666	224-2997
PK12667	224-2998
RBU001	223-8133
RP3239	215-4215



F.P. DIESEL	MAHLE
SL2271G	226-1506
SL2474G	226-1506
SL26M	226-8068
SL26Y	226-8018
SO2584G	226-4410
V1573	211-1719
V1574	211-1718
V2100	211-2129
V2101	211-2128
VG5079T	217-3254
VG594	217-3881
VS596	212-1097

Clevite	F.P. DIESEL
211-1718	V1574
211-1719	V1573
211-1863	FP5195948
211-1945	FP-145701 FP3803524
211-2128	V2101
211-2129	V2100
211-2351	FP8H1993
211-2352	FP8H1994
211-2355	FP675046
211-2356	FP676865
211-2439	FP5149771
211-2450	FP3275356
211-2455	FP9L7682
211-2456	FP9L7683
211-2462	FP-23500501 FP8922516
211-2489	FP9M4163
211-2490	FP7M7358
211-2491	FP2W2621
211-2492	FP8N0875
211-2493	FP1152368
211-2494	FP1152367
211-2536	FP5197176
211-2551	FP-23502067
211-2552	FP-23502068
211-2689	FP-3040830 FP3803519
211-2694	FP489101
211-2695	FP1701325
211-2748	FP-3033234
211-2752	FP5S6452
211-2753	FP5S6449
211-3173	FP690GC2210
211-3174	FP688GC2378
211-3198	FP1810086
211-3201	FP-3802355 FP-3920867
211-3202	FP3802006 FP3802356 FP3901607 FP3901608 FP3920868
211-3203	FP3802463 FP3924492
211-3204	FP-3921444
211-3306	FP1007861
211-3307	FP1196772
211-3311	FP-3035110 FP3088391
211-3313	FP-23501577

Clevite	F.P. DIESEL
211-3313	FP23506350
211-3315	FP-3883287
211-3316	FP3418021
211-3324	FP8N3723
211-3339	FP1007860
211-3343	FP-207241 FP-3088393 FP3803515
211-3345	FP-23501576
211-3347	FP3418020
211-3350	FP6H3026
211-3353	FP7M7817
211-4154	FP-1824840
211-4155	FP-1823875
211-4193	FP7W8064
211-4282	FP3166410 FP3800891
211-4283	FP-3068519
211-4284	FP-3084045
211-4285	FP-3078399
212-1079	FP5111339
212-1097	VS596
212-1110	FP5144019
212-1288	FP9N3617
212-1289	FP9L9172
212-1385	FP-1825540
212-1386	FP9M5349
212-1387	FP9M5350
212-1393	FP4F5409
212-1395	FP5F3111
212-1398	FP9H9164
213-1649	FP911776
213-1725	FP-1804353
213-1739	FP1802340
215-4215	RP3239
216-1141	FP-169630
216-1200	FP-675442
216-5215	FP-3275354
216-5234	FP5111337
217-3210	138937
217-3254	VG5079T
217-3283	FP4H0621
217-3289	FP3278173
217-3325	FP428046
217-3332	FP3033314
217-3446	FP3018818
217-3450	FP1805407
217-3606	FP66890
217-3832	FP5129919
217-3881	VG594

Clevite	F.P. DIESEL
217-3916	FP3006456
217-3946	FP5129919
217-4063	FP6N2236
217-4073	FP3202210
217-4076	FP23518571
217-4082	FP-3073512 FP3033314
217-4092	FP-3064312
218-3732	FP3017759
218-7373	FP5101101
218-7623	24518125
218-7800	FP195000
218-7805	FP1W5283
218-7806	FP9M3205
218-7807	FP9N2837
218-7808	FP2N8943
218-7813	FP5148490
218-7817	FP8921501 FP8921502
218-8002.010	FP8929628
218-8002.020	FP8929629
218-8002	FP8929126
223-1826	FP191970
223-1828	FP4M5489
223-1829	FP7N9804
223-1830	FP8N1608
223-1831	FP3H6767
223-1832	FP7N9810
223-1833	FP7N9806
223-1835	FP7N9805
223-1836	FP7N9803
223-1839	FP7N9807
223-1840	FP1388506
223-1846	FP1687246
223-1850	FP23521649
223-1851	FP23525168
223-1853	FP7C0115
223-1932	FP-3934047 FP3934047
223-1960	FP3064304
223-1962	FP1687224
223-1964	FP1687226
223-1965	FP182GC2223
223-3361	FP25998H
223-3429	FPR800G204
223-3443	FP45748DAR
223-3462	FP5157274
223-3469	FP70012R1
223-3530	FPG49659
223-3544	FP187GB138

Clevite	F.P. DIESEL	Clevite	F.P. DIESEL	Clevite	F.P. DIESEL
223-3545	FP187420	223-3718	FP4891178	223-8133	FP202227 RBU001
223-3546	FPEAA6207A	223-3726	FP4944137	223-8146	FP5P4173
223-3558	FP4020049	223-4000	FP23528493	223-8147	FP-3822959
223-3559	FP4025031	223-5502	FP1S9543	224-1538	FPAR7510
223-3564	FP3277332	223-5503	FP9H4015	224-1859	FP240GC1550AP1
223-3565	FP555421	223-5504	FP4F7021	224-2028	FP326874 FP670675 FP684255
223-3566	FP306708R1	223-5505	FP7M4926	224-2091	FP215390 FP3019287 FP3037413
223-3568	FP1M6107	223-5506	FP8N7294	224-2124	FP200800 FP205269 FP554785 FPAR60740
223-3569	FP8N0701	223-5507	FP7E5665	224-2144	FP3017349
223-3570	FP8N2275	223-5508	FP8N7296	224-2188.020	FP1W2070 FP1W5794 FP2W8410WP FP6N8903 FP9N5406
223-3571	FP9F1848	223-5511	FP7E1177	224-2188X.020	FP2W8410
223-3574	FP9H3984	223-5516	FP7C0111	224-2188X	FP2W4831
223-3577	FP8N0706	223-5540	FP3064305	224-2188	FP2W4831WP
223-3579	FP8920078	223-5543	FP7X2908	224-2190	1805816
223-3580	FP4M9183	223-5547	FP1979372	224-2197	FP3028685
223-3583	FP1804000	223-7077	FPAR51477	224-2251	FP8925815 FP8925816 FP8925817 FP8925818
223-3584	FP446474C1	223-7107	FP3S3977	224-2252.020	FP8922453
223-3585	FP8N0705	223-7115	FP5P9221	224-2252	FP8921605
223-3586	FP4P8495	223-7124	FP5P8970	224-2258	FP240GC579
223-3590	FPR42173	223-7132	FP3S3977	224-2260	23522026 23522070
223-3595	FP675006	223-7140	FP5121256	224-2262	FP3042320 FP3801535 FP3801535WP
223-3596	FPR55647	223-7158	FP3032874 FP3044795	224-2271	FP3016652 FP3044448 FP3803965 FP4083243
223-3624	FP364913R1	223-7183	FP3011076 FP3014668 FP3081489	224-2272	FP5144872 FP5149963/23508986
223-3625	FP326562R1	223-7186	FP8927189	224-2339	FP3028686 FP3804414
223-3627	FP675899C1	223-7188	FP2W6134 FP5S6670	224-2340	FP3051554 FP3801876 FP3801876WP
223-3628	FP9N5082	223-7191	FP1809938	224-2341	FP3051553 FP3801766 FP3801766WP
223-3629	FPB024138	223-7192	FP6V3774	224-2342	FP3048650
223-3631	FP47108F	223-7195	FP1102220 FP1183732 FP1426217 FP1427072 FP1609874 FP9L5854		
223-3634	FP5106990	223-7200	FP3047188		
223-3636	FPS6587L	223-7201	FP3907177		
223-3642	FP3913990 FP3970951	223-7207	FP8929013 FP8929176		
223-3643	FP8N1849	223-7209	3011076 3014668 3081489 4000504 FP3011076 FP3014668 FP3081489 FP4000504		
223-3644	FP3901085 FP3941476 FP4891178	223-7211	FP1822322		
223-3680	FP-6204-31-3130	223-8012	FP3065406		
223-3681	FP-6207-31-3130	223-8015	FP9Y3368		
223-3682	FP-6207-31-3530				
223-3688	FP-6150-31-3130				
223-3689	FP-6151-31-3230				
223-3690	FP-6136-31-3130				
223-3691	FP-6136-32-3130				
223-3692	FP-6138-31-3133				
223-3695	FP2W0027				
223-3696	FP43067				
223-3698	FP3027105				
223-3702	FP1608194				
223-3712	FP7W5844				
223-3717	FP3901085				



Clevite	F.P. DIESEL
224-2342	FP3801703 FP3801703WP
224-2343	FP3051557 FP3801393 FP3801393WP
224-2344	FP3051556 FP3801773 FP3801773WP
224-2360	FP23516861 FP23516862 FP23522495 FP5199573
224-2469	FP5189054
224-2485	FP5149234
224-2486	FP5198877
224-2513.020	FPPK8410
224-2513	FPPK4831
224-2568.020	FP9Y6773
224-2568.040	FP9Y6773
224-2568X	FP7E4729
224-2573.020	FP3908815 FP3908815WP
224-2573.040	FP3908816 FP3908816WP
224-2573	FP3907163 FP3907163WP
224-2574.020	FP3906209WP
224-2574.040	FP3906208WP
224-2574	FP3906223WP
224-2575.020	FP3907157WP
224-2575.040	FP3907158WP
224-2575	FP3907156WP
224-2743	FP3069212 FP3803344
224-2786	FP9L77373RWP
224-2818	FP3052794 FP3801954
224-2819	FP3045948 FP3801534
224-2820	FP3048809 FP3801820
224-2821	FP3048808 FP3801819
224-2822	FP3050366 FP3801818 FP3801818WP
224-2823	FP3050480 FP3801744 FP3801744WP
224-2908.020	FP1816676
224-2908.030	FP1816697
224-2908	FP-1816674 FP1816562

Clevite	F.P. DIESEL
224-2997	FPPK8921605 PK1-2666
224-2998	FPPK8925818 PK12667
224-3002.020	FPPK8815
224-3002.040	FPPK8816
224-3002	FP-3802712
224-3003.020	FPPK7157
224-3003.040	FPPK7158
224-3003	FP3802711
224-3012	FP-3917707
224-3022X	FP7N5036
224-3022	FP7N5036WP
224-3023X	FP9Y9889
224-3023	FP9Y9889WP
224-3026X	FP7N4515
224-3026	FP7N4515WP
224-3027	FP-AR7440
224-3028X	FP7E0539
224-3034X	FP9N5250
224-3034	FP9N5250WP
224-3047.020	FP3802042 R/S FP3802062 FP3906209 PISTON FP3920691 RTNRS FP3934048 PIN FPPK6209
224-3047.040	FP3802044 R/S FP3802064 FP3906208 PISTON FP3920691 RTNRS FP3934048 PIN FPPK6208
224-3047	FP-3802060 FP3802040 R/S FP3906223 PISTON FP3920691 RTNRS FP3934048 PIN FPPK6223
224-3185X	FP7N1366
224-3185	FP7N1366WP
224-3189X	FP4M9111
224-3189	FP4M9111WP
224-3202X	FP2M5558
224-3208	FP130500
224-3220	FP175755 FP200680 FP203070 FPAR7420
224-3223	FP-3275431 FP-3275949
224-3228X	FP8H2000
224-3231X	FP3S1826

Clevite	F.P. DIESEL
224-3235X	FP8N0931
224-3238	FP7N3511 FP7N3511WP
224-3244X	FP9Y4004
224-3244	FP9Y4004WP
224-3245X	FP9Y7212
224-3245	FP9Y7212WP
224-3248	FP8N3184 FP8N3184WP
224-3249	FP3042318 FP3801533WP
224-3251X	FP9N5403
224-3258	FP5S2886
224-3265X	FP7C2431
224-3268X	FP7C3496
224-3269	FPAR3560
224-3271X	FP4P2654
224-3274X.020	FP7W38463R20
224-3274X.040	FP7W38463R40
224-3274X	FP7W38463R
224-3275X	FP9N2874
224-3275	FP9N2874WP
224-3276	FP3055622
224-3282	FP-5195931
224-3284	FP3081269 FP3803758
224-3289	FP3095739 FP3804414
224-3290	FP-3081268
224-3291X	FP7E8700
224-3293	FP3929161
224-3296	FP1817520WP
224-3297X	FP1290358
224-3297	FP1290358WP
224-3298X	FP1010016
224-3298	FP1010016WP
224-3305	FP23516681 FP23521802
224-3313	FP3096681 FP3631245
224-3315	326874 RETAINERS 670675 PIN FP1809683-4R FP1817520WP
224-3317.020	FP3919044
224-3317.040	FP3919045
224-3317	FP3919041
224-3318.020	FP3919047
224-3318.040	FP3919048
224-3318	FP3917619
224-3319.020	FP3922574

Clevite	F.P. DIESEL
224-3319.040	FP3922575
224-3319	FP3922571
224-3320.020	FP-3920691 FP-3934047 FP3802422
224-3320.040	FP-3920691 FP-3934047 FP3802234 FP3926635
224-3320	FP-3920691 FP-3934047 FP3802230 FP3802562WP
224-3321	FP3903579
224-3322.020	FP3930188
224-3322.040	FP3930189
224-3322	FP3930187
224-3323.020	FP3928674 FP3928674WP
224-3323.040	FP3928675 FP3928675WP
224-3325	3923163WP
224-3326	FP3923164WP
224-3327	FP3923165WP
224-3328	FP4019886
224-3330A	FP3925878
224-3330B	FP3925879
224-3330C	FP3925880
224-3330D	FP3925881
224-3331C	FP3926963
224-3331D	FP392964
224-3332	FP3943446
224-3333	FP3096685 FP3631241
224-3337.020	FP-PK2049
224-3337.040	FP-PK2050
224-3337	FP-PK1400
224-3338	FP-PK9041
224-3340.020	FP-PK2574
224-3340.040	FP-PK2575
224-3340	FP-PK2571
224-3341.020	FP-PK6634
224-3341.040	FP-PK6635
224-3341	FP-PK6632
224-3342.020	FP3802032
224-3342.040	FP3802034
224-3342	FP3802030
224-3344.020	FPPK8674
224-3344.040	FPPK8675
224-3344	FPPK8673
224-3345	FP3802090

Clevite	F.P. DIESEL
224-3346X	FP1300241
224-3348	FP1818552 FP1818702 FP1822097
224-3349	FP1818552 FP1818702 FP1824810
224-3350	FP1818552 FP1818702 FP1823313
224-3351	FP1818552 FP1818702 FP1825585
224-3352	FP1809914 FP1817178 FP326751
224-3354.040	FP3946054
224-3355.020	FP3946156
224-3355.040	FP3946157
224-3355	FP3800781 FP3946153
224-3356	FP3800838 FP3946050
224-3357.040	FP-PK0785
224-3357020	FP-PK0784
224-3357	FP-PK0781 FP3800781 FP3946153
224-3368X	FP1654262
224-3368	FP1654262WP
224-3369X	FP8N3182
224-3369	FP8N3182WP
224-3374X	FP1807352
224-3375X	FP1352837
224-3376X	FP1495566
224-3378X	FP7C2888
224-3381	FP6136312112
224-3382	FP6136322110
224-3383	FP6136322120
224-3384	FP6137322110
224-3387	FP6150312112
224-3388	FP6151312171
224-3389	FP6204312121
224-3390	FP6207312141
224-3391	FP6209312141
224-3392X	FP1014140
224-3392	FP1014140
224-3393X	FP6I4609
224-3394X	FP9Y4124
224-3395X	FP1073565
224-3395	FP1073565WP

Clevite	F.P. DIESEL
224-3396X	FP1548087
224-3396	FP1548087WP
224-3397	FP1326663
224-3399	FP1495566
224-3501.030	FPPK892160530
224-3501	FPPK8921605
224-3502.030	FPPK892581830
224-3502	FPPK8925818
224-3513.040	FP3926635 FP3926635-WP
224-3515	FP3802561
224-3517.040	FP-3919048-WP
224-3520.020	FP-3922547-WP
224-3520.040	FP-3922575-WP
224-3520	FP-3922571-WP
224-3523.020	FP3907157WP
224-3523.040	FP3907158WP
224-3523	FP3907156WP
224-3525.040	FP3908816WP
224-3525	FP3907163WP
224-3526.020	FP3906209WP
224-3526.040	FP3906208WP
224-3526	FP3906223WP
224-3583	FP23521802
224-3586X	FP1684531
224-3586	FP1684531WP
224-3627	FP23530666
224-3628	FP23532882
224-3629	FP23530668
224-3630	FP23532884
224-3672.020	FP-3966675 FP-4089183
224-3672.040	FP-3966676 FP-4089184
224-3672	FP-3965497 FP-4089259
224-3673.020	FP-3970126 FP-4089670
224-3673.040	FP-3970127 FP-4089671
224-3673	FP-3970192 FP-4089669
224-3674.020	FP-3949843 FP-4089185
224-3674.040	FP-3949844 FP-4089186
224-3674	FP-3958675 FP-4089260
224-3722	FP1818702 FP1830060 FP1833092

Clevite	F.P. DIESEL
224-3749X	FP7E3428
224-3758	FPRE59279
224-3759	FPRE59277
224-3762	FPRE28919WP
224-3775	FP3803741
224-3776	FP3803739
224-3777	FP3804630
224-3791X	FP2382698
224-3794X.020	FP2382726 020 OVER
224-3794X	FP2382726
224-3803X	FP2629288
224-3804X	FP2627330
225-2513.020	FP2W8410 FPPK8410
225-2513	FPPK4831
225-3321.020	FP3802032
225-3321.040	FP3802034
225-3321	FP3802030
225-3322.020	FP3805758
225-3322.040	FP3802759
225-3322	FP3802757
225-3323.020	FPPK8674
225-3323.040	FPPK8675
225-3330A	FP3802601
225-3345	FP3802090
225-3354.020	FP3800841
225-3354.040	FP3800842
225-3354	FP3800838 FP3946050
225-3355.020	FP-PK0784
225-3355.040	FP-PK0785
225-3355	FP-PK0781
225-3513.020	FP-PK6632
225-3513	FP-PK6631 FP-PK6632 FP-PK6635
225-3514.020	FP-PK6632
225-3514.040	FP-PK6632
225-3515.020	FP-PK6634
225-3515.040	FP-PK6635
225-3515	FP-3802561-WP
225-3520.020	FP-PK2574
225-3520.040	FP-PK2575
225-3520	FP-PK2571
225-3523.020	FPPK7157
225-3523.040	FPPK7158
225-3523	FP3802711
225-3525.020	FPPK8815
225-3525.040	FPPK8816

Clevite	F.P. DIESEL
225-3525	FP-3802712
225-3526.020	FPPK6209
225-3526.040	FPPK6208
225-3526	FP-3802060 FPPK6223
225-3732.020	FP4956007
225-3732	FP4955365
226-1220.010	FP5102317
226-1220.020	FP5102318
226-1220	FP23505308 FP23505309
226-1477	FP5198899
226-1478	FP5198903
226-1506	FPAR7383 SL2271G SL2474G
226-1571	FPAR11909
226-1633.010	FP5149263
226-1633	FP23505306
226-1646	FP3801872
226-1685	FPLK5558
226-1690	FPLK5036
226-1695	FPLK5250 LK5250
226-1697	FPLK9111
226-1721	FPLK1366
226-1733	FPLK7212 LK7212
226-1734	FPLK4004 FPLK9372 LK4004
226-1738	FP23524341
226-1739	FP23524339
226-1745	FP3801771
226-1747	FP3801795
226-1748	FP3801765
226-1749	FP3801768
226-1750	FP3801777
226-1760	FP3801775
226-1769	FP3801764
226-1770	FP3801774
226-1771	FP3801776
226-1772	FP3801779
226-1773	FP3801780
226-1774	FP3801781
226-1775	FP3801873
226-1792	FP3803213
226-1793	FP3803214
226-1794	FP3803212
226-1796	FP3803211
226-1821	FP3803346

Clevite	F.P. DIESEL
226-1822	FP3803219
226-1831	FP3801817
226-1832	FP3803216
226-1833	FP3801824
226-1834	FP3803215
226-1835	FP3801823
226-1836	FP3801317 FP3803217
226-1837	FP3801822
226-1839	FP3801746
226-1840	FP3803209
226-1841	FP3801956
226-1842	FP3801956(20/40) FPCK27945405
226-1844	LK4515
226-1848	FP3803221
226-1851	FP3800801
226-1852	FP3800800
226-1855	FPLK9889
226-1860	FP3801772
226-1861	FPLK2654
226-1863	FPAR3560 FPLK166630
226-1873	FP-3803210
226-1882	FPLK5403 FPOR1695
226-1883	FPLK15545405
226-1884	FPLK15555405
226-1889	FPLK1290358 FPLK6757
226-1894	FP3802388
226-1898	FPLK3116 LK3116
226-1899	FP3802406
226-1901	FPLK0539
226-1903	FP3803759
226-1905	FP3804444
226-1907	FP3804474
226-1908	FP3803759(20/40)
226-1911	FP3803755
226-1912	FP3803755(20/40)
226-1917	FP3802811
226-1918	FPLK8700
226-1919	FP-1817248 FP-1817645
226-1922	FPLK1010016
226-1937	FP-23523951 FP-23532555
226-1938	FP-23519625 FP23532590
226-1940	FP23519636

Clevite	F.P. DIESEL	Clevite	F.P. DIESEL	Clevite	F.P. DIESEL
226-1940	FP23523952 FP23532556	226-1964	FP1825461	226-4465X	FP8N5676
226-1941	FP-23519637 FP23532591	226-1966	FP1817250-WR	226-4465	FP8N5676WS
226-1944	FP-1810359-4R FP-1817188-WP FP-1817645 FP-6800086 FP1810358-4R FP1810504WS	226-1967	FPLK3182 LK3182	226-4466.001	FP23504936
226-1945.010	FP23522491	226-1968	FPLK1290338 FPLK1654262 FPLK3102 LK1290338 LK1654262 LK3102	226-4466.010	FP5193733
226-1945	FP23522953	226-1974	LK1073565	226-4466	FP23502020 FP23502021 FP23502022 FP5113953
226-1946.010	FP23511627 FP23516302 FP23518988 FP23522951 FP5149300	226-1975	LK1548087	226-4467	FP5148505
226-1946	FP23505313 FP23511625 FP23516300 FP23518986 FP23522519 FP23522947 FP5199822	226-1988	FPLK1684531	226-4470	FP5107176
226-1947	FP3802404	226-1990	FP23532561	226-4477	FP3046325
226-1948	3802400	226-1991	FP23532883	226-4486	FP3054936 FP3065405 FP3803219
226-1949	FP3802402	226-1992	FP23532554	226-4487	FP9N6275
226-1950	FP3802401	226-1993	FP23537594	226-4493X	FP1105800
226-1951	FP3802403	226-2021	LK2121	226-4493	FP1105800WS
226-1960	FP1815674 FP1817247 FP1818552 FP1818702 FP1822097 FP1822322 FP1822340	226-2022	LK312141	226-4496	FP3802370 FP3907792
226-1962	1824966 FP1815674 FP1817247 FP1818552 FP1818702 FP1822322 FP1823313	226-2038	LK1601131	226-4505X	FP8N9174
226-1963	1825690 FP1815674 FP1818552 FP1818702 FP1822322 FP1825461 FP1825585	226-2039	FP3803742	226-4505	FP8N9174WS
226-1964	FP1815674 FP1818552 FP1818702 FP1822322 FP1824810 FP1824823	226-2040	FP3803740	226-4506X	FP1979322
		226-2041	FP3804636	226-4506	FP1979322WS
		226-2042	FPLK1723280	226-4518X	FP8S2240
		226-2043	FP23530661	226-4518	FP8S2240WS
		226-2045	FP23530665	226-4532X	FP4F6486
		226-2046	FP23533452	226-4532	FP4F6486WS
		226-2047	FPLK1646560	226-4541	FP1809935
		226-2057	LK1168154	226-4542X	FP1238206
		226-2059	FPRE507850	226-4542	FP1238206WS
		226-2061	FPRE507920	226-4544	FP3007525 FP3022157
		226-2062	FPRE53073	226-4546	FP3080760 FP3803703
		226-2063	FPRE28966	226-4547	FP3802407 FP3919937
		226-2065	FP1836299	226-4556	FP-23523392 FP-23530226 FP-23531249 FP23514285 FP23523948 FP23534264
		226-2066	FP1836192 FP1836192	226-4557X	FP2117826
		226-2067	FP1830715	226-4558	FP-23505278 FP-23532468 FP-8929442 FP23532361
		226-4220	FP23504931 FP23504932 FP23504933	226-4559	FP-4024767 FP4009220
		226-4410	SO2584G	226-4561	FP4009233 FP4024775
		226-4414	FP3055099 FP3801826	226-4566	FP3800328
		226-4415	FP5132803		
		226-4448	FP1810504WS		
		226-4456	FP203170 FPAR8069		
		226-4464	FP23502023 FP23502024 FP23502025 FP5102795		

Clevite	F.P. DIESEL
226-4566	FP3948095
226-4567	FP1815674 FP1822322
226-4568	FP-6130-22-2310
226-4570	FP-6151-22-2220
226-4572	FP-6137-22-2210
226-4573	FP-23531249
226-4580	FP1842553
226-4615	FP509GC463
226-8018	SL26Y
226-8068	SL26M
229-1848	FP-2W7980 FP1W5060 FP6N5673
229-1874	FP-3049024
229-1885	FP1802337
229-1923	FP3801030
229-2115	FP489172
229-2171	FP1810744
229-2189	FP7C3862
229-2233	FP-3801448
229-2430	FP-3929039
229-2435	FP-3924471
247-5001	FP3608833
247-5002	FP194840
247-5003	FP201950
247-5005	FP5103264
247-5006	FP5146733(.010) FP5146733(.010)
247-5007	FP9N6221
247-5009	FP5101677
247-5014	FP23502165
247-5022	FP5101677(.010) FP5101677(.010)
247-5023	FP5146733
247-5024	FP5103264
247-5026	FP7C4859
247-5027	FP8926924
247-5028	FP8926923
247-5041	FP8926922
247-5042	FP8926921
247-5043	FP8927993
247-5048	FP675669
247-5049	FP3029340
247-5050	FP2W7458
247-5066	FP195240
247-5067	FP4N7692
247-5068	FP3029341
247-5103	FP1W9771
247-5130	FP3929037

Clevite	F.P. DIESEL
247-5133	FP3819989
247-5146	FP611453
247-5177	FP3929036
247-5186	FP1809953
247-5235	FP1253005
601-8034	FPAR10172
601-8035	FP3821572 FPAR10172
CB-1073P-10	FP189771
CB-1073P-20	FP189772
CB-1073P	FP189770
CB-1180P	FP5198547
CB-1209AL	FP31126311
CB-1215P-10	FP9N9520
CB-1215P-20	FP9N5921
CB-1215P	FP7E7894
CB-1225AL	FPAR53020 FPAR57208
CB-1226P-10	FP214951
CB-1226P-20	FP214952
CB-1226P-30	FP214953
CB-1226P-40	FP214954
CB-1226P	FP214950
CB-1230P-10	FPAR69098
CB-1230P-20	FPAR69098
CB-1230P-30	FPAR69098
CB-1230P	FPAR69098
CB-1231AL	FPAR97517
CB-1232AL	FP1W8539
CB-1236P	FPB027269
CB-1237P	FPA41758
CB-1239P	FP220010
CB-1262AL-25	FP4W5702
CB-1262AL-50	FP4W5703
CB-1262AL	FP9Y9497
CB-1265P-10	FP5149454
CB-1265P-20	FP5149455
CB-1265P	FP5149452
CB-1266P-10	FP1700248 FP1700702
CB-1266P-20	FP1700248 FP1700703
CB-1266P-30	FP1700248 FP1700704
CB-1266P-40	FP1700248
CB-1266P	FP1700248
CB-1267P	FPAR73277
CB-1288P-10	FP892171420 FP8924703
CB-1288P-20	FP8924703

Clevite	F.P. DIESEL
CB-1288P-30	FP8921714
CB-1288P	FP8921714
CB-1327P-10	FP1802200
CB-1327P-20	FP1802200
CB-1327P-30	FP1802200
CB-1327P-40	FP1802200
CB-1327P	FP1802200
CB-1328P	FPA50975
CB-1354P	FP4036261
CB-1355P	FP4007700
CB-1356P	FPAR101271
CB-1357P-10	FP205841
CB-1357P-20	FP205842
CB-1357P	FP205840
CB-1365P-10	FP1808060
CB-1365P-20	FP1808061
CB-1365P-30	FP1808062
CB-1365P	FP1808059
CB-1379P-10	FP62GB2382P10 FP62GB2393P10
CB-1379P-20	FP62GB2382P20 FP62GB2393P20
CB-1379P-30	FP62GB2382P30 FP62GB2393P30
CB-1379P	FP62GB2382P1 FP62GB2393P1
CB-1381P	FP216010
CB-1382P-.25MM	FP3016761
CB-1382P-.50MM	FP3016762
CB-1382P-.75MM	FP3016763
CB-1382P	FP3016760
CB-1394P-10	FP1823864
CB-1394P-20	FP1823865
CB-1394P-30	FP1823866
CB-1394P	FP1823863
CB-1409P-.25MM	FP3901431
CB-1409P-.50MM	FP3901432
CB-1409P-.75MM	FP3901433
CB-1409P	FP3901430
CB-1413P-.25MM	FP3901171
CB-1413P-.50MM	FP3901172
CB-1413P-.75MM	FP3901173
CB-1413P	FP3901170
CB-1596P-10	FP23511133
CB-1596P-20	FP23511133 FP23511135
CB-1596P	FP23511129 FP23511133
CB-1598P-10	FP62GB2396P10
CB-1598P-20	FP62GB2396P20

Clevite	F.P. DIESEL
CB-1598P	FP62GB2396P1
CB-1599P-10	FP1N3821
CB-1599P-20	FP1N3822
CB-1599P	FP8N6308
CB-1616P-10	FP3055146
CB-1616P-20	FP3055147
CB-1616P	FP3055145PR
CB-1619P-10	FP3047391
CB-1619P-20	FP3047392
CB-1619P	FP3047390
CB-1620P-.25MM	FP7C6976
CB-1620P-.50MM	FP7C6977
CB-1620P	FP2246638 FP2W0027
CB-1621P-25	FP1077330 FP1077331 FP7E7998
CB-1621P	FP1077330
CB-1622P-25	FP7E0558
CB-1622P-50	FP7E0559
CB-1622P	FP9Y7735
CB-1631P-10	FP3012361
CB-1631P-20	FP3012362
CB-1631P-30	FP3012363
CB-1631P	FP3012360
CB-1632P	FP4386372
CB-1633P-10	FP1812301 FP1812302
CB-1633P-20	FP1812301 FP1812303
CB-1633P-30	FP1812301 FP1812304
CB-1633P	FP1812301
CB-1659P-10	FP1822486
CB-1659P-20	FP1822487
CB-1659P	FP1822389
CB-1662P-10	FP8929710 FP8929711
CB-1662P	FP8929710
CB-1773P-.25MM	FP-6151-39-3040 FP6150393040
CB-1773P-.50MM	FP-6150-38-3040 FP-6151-38-3040
CB-1773P-.75MM	FP-6150-37-3040 FP-6151-37-3040
CB-1773P	FP-6150-31-3040 FP-6151-31-3040
CB-1792P-.25MM	FP23515581 FP23515582
CB-1792P-.50MM	FP23515581 FP23515583

Clevite	F.P. DIESEL
CB-1792P	FP23515581
CB-179P	FP207460
CB-1836P-.25MM	FP23526142 FP23527065
CB-1836P-.50MM	FP23526142 FP23527066
CB-1836P	FP23526142
CB-1847P	FP1842570
CB-1903P-.25MM	FP-6207-39-3300
CB-1903P-.50MM	FP-6207-38-3300
CB-1903P-.75MM	FP-6207-37-3300
CB-1903P	FP-6207-31-3300
CB-1904P-.25MM	FP-6207-39-3600
CB-1904P-.50MM	FP-6207-38-3600
CB-1904P-.75MM	FP-6207-37-3600
CB-1904P	FP-6207-31-3600
CB-1906P-.25MM	FP-6138-39-3050
CB-1906P-.50MM	FP-6138-38-3050
CB-1906P-.75MM	FP-6138-37-3050
CB-1906P	FP-6138-31-3040
CB-1907P-.25MM	FP-6130-39-3041
CB-1907P-.50MM	FP-6130-38-3041
CB-1907P-.75MM	FP-6130-37-3041
CB-1907P	FP-6130-31-3041
CB-1931P	FP2920484
CB-1941P-.50MM	FP1280390
CB-1941P	FP2170577
CB-200P	FP9M6211A
CB-206P	FP372129R91
CB-296P-10	FP203671
CB-296P-20	FP203672
CB-296P-30	FP203673
CB-296P-40	FP203674
CB-296P	FP203670
CB-400AL-10	FP9F858010 FP9F8581
CB-400AL-20	FP9F8581
CB-400AL-30	FP9F8581
CB-400AL-50	FP9F8581
CB-470P-10	FP127731
CB-470P-20	FP127731
CB-470P	FP127730 FP127731
CB-555P-10	FP5149575
CB-555P-20	FP5149577
CB-555P-30	FP5149579
CB-555P	FP5149572 FP5149575
CB-599P-10	FP62GB2382P1 FP62GB2382P10

Clevite	F.P. DIESEL
CB-599P-20	FP62GB2382P1 FP62GB2382P20
CB-599P-30	FP62GB2382P1 FP62GB2382P30
CB-599P	FP62GB2382P1
CB-609P	FP910179
CB-616P	FPG176G305
CB-619AL-10	FP8N8221
CB-619AL-20	FP8N8222
CB-619AL-30	FP8N8223
CB-619AL	FP4W5739
CB-625P-10	FP203661
CB-625P-20	FP203662
CB-625P-30	FP203663
CB-625P	FP203660
CB-633P-10	FP294458C1
CB-633P-20	FP294458C1
CB-633P	FP294458C1
CB-637P	FPAT10123T
CB-647P	FP3070536R11
CB-655P	FPA46050
CB-667AL	FP159988A
CB-669P	FPAR45723
CB-674P-10	FP5197977
CB-674P	FP5197975
CB-675P-10	FP681314 FP681315
CB-675P-20	FP681314 FP687382
CB-675P-30	FP681314 FP681316
CB-675P-40	FP681314
CB-675P	FP681314
CB-685P-10	FP337265R11
CB-685P-20	FP337265R11
CB-685P-30	FP337265R11
CB-685P	FP337265R11
CB-686P	FPA43173
CB-694AL-25	FP8N5339
CB-694AL	FP7W2136
CB-700P	FP4347299
CB-703P	FP102700A
CB-757AL	FPC5NE6211A1
CB-759AL	FPRE27348
CB-778AL-25	FP1N4337
CB-778AL-50	FP1N4338
CB-778AL	FP1N4336
CB-781AL	FP227559
CB-78P	FPF400G341
CB-79P	FPF400G340

Clevite	F.P. DIESEL
CB-807P-10	FP1700248
CB-807P-20	FP1700248
CB-807P-30	FP1700248
CB-807P	FP1700248
CB-817AL-10	FP2M6499
CB-817AL-25	FP2M6499 FP2M6500
CB-817AL-40	FP2M6499
CB-817AL-75	FP2M6499
CB-817AL	FP2M6499
CB-927P	FP9N5923
CB-964AL-25	FP8N7934
CB-964AL-50	FP8N7935
CB-964AL	FP8N7933
CB-965P-10	FP200601
CB-965P-20	FP200602
CB-965P	FP200600
CB-970AL-25	FP8N7770
CB-970AL-50	FP8N7769 FP8N7771
CB-970AL	FP8N7769
CB-972P-10	FP9N5924
CB-972P-20	FP9N5925
CB-972P-30	FP9N5923030
CB-972P	FP9N5923
CB-994P-10	FP556351
CB-994P	FP556350
MB-1276P-10	FP5191723 FP5192876 FP5193738
MB-1276P-20	FP5192877 FP5193738
MB-1276P	FP5192874 FP5193738
MB-1373W	FP714GC211AP1
MB-1897P-10	FP8924359
MB-1897P	FP8924359
MB-2522W	FP5116197
MB-2523W	FP5117005
MB-2524W	FP5159353
MB-2580AL-10	FP8N8225
MB-2580AL-20	FP8N8226
MB-2580AL-30	FP8N8227
MB-2580AL	FP2323233
MB-2580W	FP6N8940
MB-2581AL-10	FP7S9844
MB-2581AL-20	FP7S9845
MB-2581AL-30	FP7S9846
MB-2581AL	FP7S9439
MB-2585AL-25	FP4S9396

Clevite	F.P. DIESEL
MB-2585AL-25	FP8N7924
MB-2597AL-25	FP8N7765
MB-2597AL	FP8N7764
MB-2597W	FP4L4653
MB-2687P-10	FP5149567
MB-2687P-20	FP5149568
MB-2687P-30	FP8922118
MB-2687P	FP5149565
MB-2733P-10	FP8N8976
MB-2733P-20	FP8N8972
MB-2733P-30	FP8B8976
MB-2733P	FP4W8093
MB-2734P-10	FP8N9022
MB-2734P	FP4W8092
MB-2735P-10	FP8N9065
MB-2735P-20	FP8N9064
MB-2735P	FP4W8091
MB-2736P	FP8N8929
MB-2848AL-25	FP4W5698
MB-2848AL-50	FP4W5699
MB-2848AL	FP2110592
MB-3057W	FP9S3037
MB-3414P	FP1W0311
MB-3415P-10	FP1W1661
MB-3415P	FP1W0312
MB-3448W	FP7E9262
MB-3451W	FP1003652
MB-3454P	FP1011530
MB-3455P	FP1077708
MB-3466P	FP1496031
MB-3466W	FP7C6209
MS-1048AL-25	FP8N7923 FP8N7928
MS-1048AL	FP8N7923 FP8N7928
MS-1058AL	FP8N7764
MS-1059AL	FP8N7764
MS-1060P-10	FPBM99831
MS-1060P-20	FPBM99832
MS-1060P-30	FPBM99833
MS-1060P	FPBM99830
MS-1061P-10	FPBM99821
MS-1061P-20	FPBM99822
MS-1061P-30	FPBM99823
MS-1061P	FPBM99820
MS-1069AL-25	FP8N7765
MS-1069AL	FP8N7764
MS-1113AL-10	FP8N8225
MS-1113AL-20	FP8N8226
MS-1113AL-30	FP8N8227

Clevite	F.P. DIESEL
MS-1113AL	FP2323233
MS-1114AL-10	FP8N8225
MS-1114AL-20	FP8N8226
MS-1114AL-30	FP8N8227
MS-1114AL	FP2323233
MS-1265P-10	FPAR3641
MS-1265P-20	FPAR3642
MS-1265P-30	FPAR3643
MS-1265P	FPAR3640
MS-1342P-10	FP1823860
MS-1342P-20	FP1823861
MS-1342P	FP1823859
MS-1343P-10	FP1823848
MS-1343P-20	FP1823849
MS-1343P-30	FP1823850
MS-1343P	FP1823847
MS-1385P-10	FP5117005 FP5149567
MS-1385P-20	FP5117005 FP5149568
MS-1385P-30	FP5117005 FP8922118
MS-1385P	FP5117005 FP5149565
MS-1386P-10	FP5117005 FP5149567
MS-1386P-20	FP5149568/5117005
MS-1386P-30	FP5117005 FP8922118 FP8922118/5117005
MS-1386P	FP5149565/5117005
MS-1420P-10	FP8N8976 FP8N9022 FP8N9065
MS-1420P-20	FP8N8972 FP8N9023 FP8N9064
MS-1420P	FP4W8091 FP4W8092 FP4W8093
MS-1421P-10	FP8N9022 FP8N9065
MS-1421P-20	FP8N9064
MS-1421P	FP4W8091 FP4W8092
MS-1422P-10	FP4W9022 FP4W9065 FP8N8926
MS-1422P-20	FP4W9023 FP4W9064 FP8N8931
MS-1422P	FP4W8091

Clevite	F.P. DIESEL
MS-1422P	FP4W8092 FP8N8929
MS-1459AL	FPRE27352
MS-1526P	FPAR74814
MS-1527P	FPAR74814
MS-1528P	FPAR74814
MS-1529P	FPAR74814
MS-1592P-20	FP8N9019 FP8N9068
MS-1592P	FP8N9021 FP8N9067
MS-1593P-20	FP8N8971 FP8N9019 FP8N9068
MS-1593P	FP8N8973 FP8N9021 FP8N9067
MS-1594P-20	FP8N8930 FP8N9019 FP8N9068
MS-1594P	FP8N8928 FP8N9021 FP8N9067
MS-1624P	FPAR101268
MS-1625P-10	FPAR12271
MS-1625P-20	FPAR12272
MS-1625P	FPAR12270
MS-1642P-10	FP1823844
MS-1642P-20	FP1823845
MS-1642P-30	FP1823846
MS-1642P	FP1823843
MS-1687P-10	FP3801261
MS-1687P-20	FP3801262
MS-1687P-30	FP3801263
MS-1687P	FP3801260
MS-1716P-.25MM	FP3801151
MS-1716P-.50MM	FP3801152
MS-1716P-.75MM	FP3801153
MS-1716P	FP3801150
MS-1717P-.25MM	FP3802071
MS-1717P-.50MM	FP3802072
MS-1717P-.75MM	FP3802073
MS-1717P	FP3802070
MS-1718P-.25MM	FP3802011
MS-1718P-.50MM	FP3802012
MS-1718P-.75MM	FP3802013
MS-1718P	FP3802010
MS-1740P-.25MM	FP3802211
MS-1740P-.50MM	FP3802212
MS-1740P	FP3802210
MS-2000P	FP1003652

Clevite	F.P. DIESEL
MS-2000P	FP1W0311 FP1W0312
MS-2018P-10	FPAR12251
MS-2018P	FPAR12250
MS-2019P-10	FP3018211
MS-2019P	FP3018210
MS-2034P-10	FP1812322 FP1812326
MS-2034P-20	FP1812323 FP1812327
MS-2034P-30	FP1812324 FP1812328
MS-2034P	FP1812321 FP1812325
MS-2092P-10	FP8929671 FP8929681
MS-2092P	FP8929670 FP8929680
MS-2093P-10	FP8929671 FP8929681
MS-2093P-20	FP8929672 FP8929682
MS-2093P	FP8929670/8929680
MS-2096P-10	FP1822490/1822494
MS-2096P-20	FP1822491/1822495
MS-2096P	FP1822321/1822379
MS-2197P-.25MM	FP-6150-29-8010
MS-2197P-.50MM	FP-6150-28-8010
MS-2197P-.75MM	FP-6150-27-8010
MS-2197P	FP-6150-21-8010
MS-2287P-.25MM	FP-6204-29-8100
MS-2287P-.50MM	FP-6204-28-8100
MS-2287P-.75MM	FP-6204-27-8100
MS-2287P	FP-6204-21-8100
MS-2288P-.25MM	FP-6204-29-8100
MS-2288P-.50MM	FP-6204-28-8100
MS-2288P-.75MM	FP-6204-27-8100
MS-2288P	FP-6204-21-8100
MS-2289P-.25MM	FP-6136-29-8010
MS-2289P-.50MM	FP-6136-28-8010
MS-2289P-.75MM	FP-6136-27-8010
MS-2289P	FP-6136-21-8010
MS-2290P-.25MM	FP-6130-29-8101
MS-2290P-.50MM	FP-6130-28-8101
MS-2290P-.75MM	FP-6130-27-8101
MS-2290P	FP-6130-21-8011 FP-6130-21-8021
MS-2291P-.25MM	FP-6136-29-8010
MS-2291P-.50MM	FP-6136-28-8010
MS-2291P-.75MM	FP-6136-27-8010
MS-2291P	FP-6136-21-8010

Clevite	F.P. DIESEL
MS-2318P-.25MM	FP4025121
MS-2318P-.50MM	FP4025122
MS-2318P-.75MM	FP4025123
MS-2318P	FP4025120
MS-2328P-.25MM	FP3802071
MS-2328P-.50MM	FP3802072
MS-2328P-.75MM	FP3802073
MS-2328P	FP3802070
MS-683P-20	FP382357R91
MS-766P	FP918103
MS-836P	FPAR49243
MS-837P	FPAR49242
MS-838P	FPAR49243
MS-839P	FPAR49243
MS-873AL	FPRE27352
MS-874AL	FPRE27352
MS-875AL	FPMBK3004 FPRE27352
MS-878AL	FP234184
MS-885P-10	FP5159353 FP5198412
MS-885P-20	FP5159353 FP5198413
MS-885P	FP5159353 FP5198410
MS-886P	FPF163T103
MS-889P	FPFO600T105
MS-954P-10	FP215SB72DP1 FP215SB72DP2
MS-954P-20	FP215SB72DP1 FP215SB72DP3
MS-954P-30	FP215SB72DP1 FP215SB72DP4
MS-954P	FP215SB72DP1
MS-957AL	FP5M7469
MS-958AL	FP5M7470
S40538	FP1W5105 FP1W6055
S40574	FP3S4029
S40963	FP2W1709 FP9S3068
S41159	FP8N0822
S41287	FP1N3601
S41314	FPAR12098
S41329	FP8N5760
S41371	FP3803961
S41394	FP2W1707
S41449	FP5149359 FP5198901
S41542	FP2W8265 FP7E4729RS

Clevite	F.P. DIESEL
S41653	FP2W6091
S41670	FP4P2654RS FP5S7570 FP9E6047
S41677	FP3802429
S41685	FP2W82653R
S41771	FP7E5213
S41772	FP7E5214
S41822	FP3S4031
S41832	FP1N3967
S41841	FP4P2654RS
S41846	FP1W8922
S41882	FP3631248 FP4089500
S41883	FP2W8265
S41885	FP4089793 FPAR11930
S41886	FP3804500 FP4024942 FP4089489
S41887	FP3804500 FP4089489
S41888	FP4089810
S41889	FP3803471 FP4089811
S41890	FP1W8922
S42054	FP1006694 FP1006695 FP6I0497
S42074	FP7E2899
S42085	FP1006694 FP1006695 FP6I0497
SH-1191S	FPA151075
SH-1245	FP9N5246
SH-1379	FP70437
SH-1394S	FP3031037 FP3278345
SH-1395S	FP3031037 FP3278345
SH-1402	FP3901685 FP3945329
SH-1404	FP3901306
SH-142S	FP92727
SH-1487	FP4N0685
SH-1488	FP4N6658
SH-1529S	FP3801106
SH-1761	FP7N2048
SH-1773S	FP3820566 FP3820566S
SH-1773	FP3820566
SH-190S	FPF600T250

Clevite	F.P. DIESEL
SH-191S	FPY400T139
SH-1979	FP1345251
SH-1981	FP3940059
SH-1986	FP8929690
SH-2128S	FP-6206-21-1420 FP-6206-21-1430
SH-2129S	FP-6206-21-1420 FP-6206-21-1430
SH-2130S	FP-6150-21-1490
SH-2135S	FP-6136-21-1410
SH-2136S	FP-6130-21-1410 FP-6130-21-1420 FP-6130-21-1430
SH-2137S	FP-6136-21-1410
SH-2165	FP3002834
SH-2166	FP2165583
SH-2167	FP2165584
SH-2168	FP2165585
SH-2174	FP2035805
SH-2175	FP2036090
SH-2176	FP2165586
SH-2177	FP1161359
SH-2178S	FP-1W5920 FP9N5246
SH-2180	FP1878969
SH-2181S	FP8922110
SH-2183	FP3945329 FP6742015160
SH-2186	FP4N0685
SH-2187	FP4N6658
SH-220S	FP130476R93
SH-468	FP5196022
SH-502S	FPVT2621
SH-525	FP5196026
SH-563S	FP57GC267
SH-566WS	FP701GC11A
SH-568S	FPBM27253
SH-56S	FPF400T181
SH-614S	FP92744
SH-652	FPC5NE6261B
SH-676S	FP57GC268
SH-681S	FP448139
SH-698S	FP5198431
SH-699S	FP5198209
SH-700S	FP5198984
SH-701S	FP5197944
SH-704S	FPA23577
SH-705S	FPA23544
SH-785S	FPR46903
SH-786S	FPR46903

Clevite	F.P. DIESEL
SH-993S	FP57GC266
SH-994S	FP680117
TW-130S	FP734615M91
TW-226S	FP4L4653
TW-252S	FP6N8940S
TW-304S	FP4061447
TW-316S	FP31137311
TW-354S	FPA62573 FPA62573S
TW-355S	FPA62572S
TW-369S+10	FP3067568
TW-369S	FP3067568
TW-402S	FP5117005 FP5196753
TW-409S	FP9S3037 FP9S3037S
TW-411S	FP5159353 FP5159353S
TW-412S	FP5116197
TW-422S	FP57GC279
TW-424S	FP1750341M1
TW-448S	FP173640
TW-457S	FP3161653
TW-583S	FP7E9262 FP7E9262S
TW-600S	FP8929085 FP8929085S
TW-602S	FP6150218050
TW-687S	FP-6204-21-8500 FP-6204-21-8600
TW-688S	FP-6134-21-8050
TW-689S	FP-6130-21-8500
TW-703S	FP4926017 FP4926019

CATERPILLAR	MAHLE
005764	49113
007345	72214
007672	72222
009697	72232
012783	72212
012981	49575
015083	72116
016249	72112
019677	72224
029114	49276
033343	72230
034566	72226
038109	72234
038761	72234



CATERPILLAR	MAHLE
039857	72234
041704	223-5506
043919	72216
044556	72116
044731	72212
045005	72216
053561	72216
0546853	72234
055735	72212
055758	72222
055759	72115
056504	72216
058547	72217
060839	72115
061-7540	CS54643-3
0619457	CS54643-3
062677	72012
062999	72011
064919	72216
065062	72216
066247	72116
067290	223-5506
067622	72012
0676987	KX 23
0773822	72218
0773919	72216
0774214	72011
0775900	72232
0775902	72117
0779911	72222
081756	72219
082102	72117
0870324	223-5508
091392	72112
0965992	72221
0981144	72112
0983184	72116
0A4110	72012
0A4144	72112
0A4601	72222
0A4605	72214
0R1100	247-5007
0R1210	247-5007
0R1211	247-5007
0R1213	247-5217
0R1215	247-5218
0R1217	247-5218
0R1218	247-5026 247-5219

CATERPILLAR	MAHLE
0R1219	247-5219
0R1237	247-5067 247-5217
0R1238	247-5050
0R1239	247-5217
0R2235	247-5232
0R2522	247-5218
0R2523	247-5219
0R2525	247-5151
0R2539	247-5222
0R2546	247-5103
0R2657	247-5147
0R2806	247-5203
0R2812	247-5150
0R3972	247-5146
0R4178	226-2038
0R4189	247-5007
0R4742	247-5235
0R5028	247-5219
0R5052	247-5007
0R5163	247-5007
0R5164	247-5103
0R5167	247-5217
0R5173	247-5218
0R5385	127 TC 21103 000
0R5733	127 TC 21003 000
0R5796	127 TC 15120 000
0R5799	127 TC 27057 000
0R5807	127 TC 15122 000
0R5809	127 TC 17332 000
0R5811	127 TC 21002 000
0R5812	127 TC 21102 000
0R5824	127 TC 15121 000
0R6051	127 TC 21003 000
0R6053	127 TC 21003 000
0R6165	127 TC 24162 000
0R6166	127 TC 24163 000
0R6167	127 TC 24100 000
0R6169	127 TC 21003 000
0R6170	127 TC 21003 000
0R6333	127 TC 24094 000
0R6342	127 TC 21104 000
0R6376	127 TC 24174 000
0R6689	127 TC 21003 000
0R6694	127 TC 24116 000
0R6877	127 TC 24088 000
0R6935	127 TC 24116 000
0R6940	127 TC 24114 000
0R6957	127 TC 21003 000

CATERPILLAR	MAHLE
0R6960	127 TC 21003 000
0R6973	127 TC 21101 000
0R6984	127 TC 24116 000
0R6986	127 TC 24114 000
0R6988	127 TC 24111 000
0R6989	127 TC 24114 000
0R6990	127 TC 24112 000
0R7087	127 TC 24111 000
0R7140	127 TC 24114 000
0R7142	127 TC 24116 000
0R7152	127 TC 24114 000
0R7199	127 TC 24111 000
0R7200	127 TC 24116 000 127 TC 24116 010
0R7201	127 TC 24114 000
0R7202	127 TC 24111 000
0R7203	127 TC 24114 000
0R7204	127 TC 24112 000
0R7205	127 TC 24112 000
0R7213	127 TC 24164 000
0R7223	127 TC 24114 000
0R7275	127 TC 24113 000
0R7279	127 TC 21005 000
0R7283	127 TC 24114 000
0R7284	127 TC 24116 000
0R7285	127 TC 24113 000 127 TC 24113 010
0R7296	127 TC 21213 000
0R7299	127 TC 24114 000
0R7310	127 TC 24114 000 127 TC 24114 010
0R7569	127 TC 21208 000
0R75690	127 TC 21208 000
0R7573	127 TC 21213 000
0R7771	247-5222
0R7923	127 TC 24114 000
0R7924	127 TC 24113 000
0R8200	226-2042
0R8502	247-5227
0R8717	224-3750X
0R9802	127 TC 21101 000
0R9865	127 TC 21005 000
0R9906	247-5231
0R9942	226-2048
1002103	72112
1002951	HS54192-2
1002952	HS54192-1 HS54192-2
1002953	HS54156-1
1003652	MB-3451W

CATERPILLAR	MAHLE
1003652	MS-2000P TW-693S
1006374	KC 227
1006694	S42054 S42085
1006695	S42054 S42085
1007860	211-3339
1007861	211-3306
1010016	224-3298 224-3298X
1011530	MB-3454P
1013210	223-1964
1014140	224-3392 224-3392X
1014543	MB-3455P
1018643	JV5047
102-9429	127 TC 21003 000
1026229	B45978
1030081	HS54515
1050253	MB-3466P
1051710	224-3361 224-3361X
1051725	247-5203
1061111	211-2494
1069586	CS54643-3
107-7791	224-3714X
1073565	224-3395 224-3395X
1077330	CB-1621P
1077331	CB-1621P-25
1077708	MB-3455P
1077832	54156
1085902	211-2493
1085911	211-4167
1090072	CS54643-3
1090078	CS54643-3
1096928	CS54154-11
10R0364	127 TC 21101 000
10R1103	127 TC 21206 000
10R1795	127 TC 21211 000
10R1887	127 TC 21201 000
10R1888	127 TC 21204 000
10R2027	127 TC 21205 000
10R2110	247-5234
10R2317	247-5227
10R2407	127 TC 21201 000
10R3075	247-5233
10R3280	127 TC 21206 000
10R6125	226-2054

CATERPILLAR	MAHLE
10R8733	127 TC 21202 000
10R9923	226-2054
1104899	CS54154-15
1104900	HS54154-15
1105800	226-4493 226-4493X
1106979	127 TC 24169 000
1106993	226-4557X
1113359	HS54154-4
1118015	54163
1118065	72326
1127990	CS54214-8
1127992	JV5089
1127994	JV1698
1127995	HS54214-1
1136065	OS32216
1138207	JV5049
114-2687	CS54643-3
1152367	211-2494
1152368	211-2493
1152972	223-3697
1154109	67956
1154120	67948
1154202	OS32216
1159462	CS54214-6
1161089	CB-1931P
1161359	SH-2177
1161372	224-3376X
1165885	CS54214-1
1168154	224-3750X
1169574	127 TC 24116 000
1169582	127 TC 24114 000
1169586	127 TC 24114 000
1174089	KC 227
1175975	MB-2848AL
1176527	JV5049
1177094	JV1698
1177096	JV5049
1177900	CS54154-12
1178747	JV5049
1181655	223-3710
1182980	HS54214-1
1183798	JV5049
1185068	CS54643-3
1185569	217-4110
1189494	226-4557X
1190905	JV5089
1190957	CS54214-7
1192921	67949

CATERPILLAR	MAHLE
1193036	B45898
1193434	72116
1193782	CB-1941P
1195155	72121
1196772	211-3307
1198518	127 TC 21003 000
120-8362	127 TC 21101 000
1208883	CS54100-5
1208902	HS54154-17
1208997	CS54163-1
1208998	JV5120
1209328	CS54214-9
121-0145	CS54643-3
1220321	211-4281
1227375	217-4110
1228906	JV1698
1238206	226-4542 226-4542X
1243008	JV5049
1243030	127 TC 24116 000
1243031	127 TC 24111 000
1243032	127 TC 24114 000
1243034	127 TC 24111 000
1243035	127 TC 24114 000
1243759	127 TC 24112 000
1248898	CS54214-8
1248899	CS54214-1
1252428	JV5089
1253005	247-5235
1269506	JV5089
1269507	JV5049
1271476	HS54154-17
1273286	72012
1280382	MB-3975P-.50MM
1280390	CB-1941P-.50MM
1280395	CB-1931P-.50MM
1280400	MB-3976P-.50MM
129-0357	OS32166
1290358	224-3297 224-3297X
1290373	KC 430D
1290431	JV5049
1290433	JV5089
1290434	JV5049
1290435	JV5089
1293329	HS54163-11
1294498	CS54154-16
1299452	HS54643-1 HS54643-6 MS19416

CATERPILLAR	MAHLE
1300241	224-3346X
1309035	CS54214-2
1312427	127 TC 24111 000
1321195	CS54214-5
1321404	JV5049
1323649	127 TC 24112 000
1323651	127 TC 24111 000
1326663	224-3347X 226-2048 226-2049
1331247	VS50315
1332271	JV5089
1335671	KC 430D
1335673	KC 430D
1337537	224-3376X
1343037	CS54163-1
1343761	226-2038 226-2057 S41943
1345251	SH-1979
1350233	JV5049
1352837	224-3375X
1353449	HS54214-1
1358810	HS54214-1
1361114	JV5049
1361115	JV1698
1363686	CS54163-1
1366390	127 TC 24114 000
1366942	CS54163-1
1367227	CS54643-3
1367619	127 TC 24116 000 127 TC 24116 010
1369326	CS54163-1
1374832	127 TC 24114 000 127 TC 24114 010
1381915	HS54154-17
1381988	JV5049
1383069	JV1686
1383100	KC 227
1384611	HS54643-1 MS19417
1386741	JV5049
1387720	JV5121 JV5128
1388506	223-1840
1402245	CS54163-1
1402246	JV5115
1406143	HS54163-12
1409031	JV5049
1409043	CS54163-4
1410280	CS54163-1

CATERPILLAR	MAHLE
1412222	EK0102VR HS54154-18
1414117	CS54154-13
1415507	HS54154-18
1416306	HS54154-4
1417274	CS54100-5
1417278	JV1713
1417445	CS54163-1
1417953	CS54100-5
1418935	127 TC 24111 000
1418936	127 TC 24116 000 127 TC 24116 010
1418937	127 TC 24114 000
1418938	127 TC 24111 000
1418939	127 TC 24114 000
1419305	CS54163-1
1420403	CS54163-4
1422216	JV5049
1423320	JV5089
1425867	67741
1425868	67656
1428128	CS54163-1
1429672	CS54214-3
1433778	CS54163-1
1436304	JV5049
1437702	CS54163-4
1439609	JV5093
1443472	MS19856
1448984	72219
1449542	HS54214-1
1450311	JV1698
1452262	JV1706
1456744	224-3374X
1458991	JV5049
1463110	CS54163-4
1464229	EK3533VR HS54154-7
1464328	127 TC 24114 000
1465750	CS54163-4
1465809	CS54163-4
1475474	HS54163-12
1475544	CS54163-1
1476171	CS54163-1
1478214	B45957
1487455	211-3306
1491189	CS54163-1
1493955	CS54163-1
1493972	CS54163-1
1494914	CS54163-1
1495566	224-3376X

CATERPILLAR	MAHLE
1496026	JV5049
1496031	MB-3466P
1497378	VS50445 VS50464 VS50471
1498301	CS54163-1
1498303	JV1713
1498374	CS54163-4
1500330	CS54163-1
1506739	49575
1512939	MB-3977P
1513025	JV5049
1515837	CS54163-1
1527582	218-7805
1527585	211-4167
1527625	247-5227
1528380	211-4166
1533928	247-5222
1535527	CS54214-11
1537023	211-4166
1537024	211-4167
1539653	54214
1540170	JV5049
1548087	224-3396 224-3396X
1548315	72011
155-5463	127 TC 24174 000
1551379	HS54163-12
1551380	HS54163-1
1551381	HS54163-11
1554265	CS54163-4
1555619	JV1701
1560936	HS54154-18
1560937	HS54154-18
1564173	HS54515
1568262	224-3586 224-3586X
1569232	HS54154-6
1570625	JV5049
1571376	JV5049
1572705	HS54214-1
1572849	CS54214-11
1582389	JV5093
1583155	JV5093
1591639	72012
1592977	CS54163-4
1593993	72218
1596080	CS54214-5
1598542	127 TC 24113 000
1599600	JV5093

CATERPILLAR	MAHLE
1601131	224-3751X 226-2038
1601799	247-5231
1605550	127 TC 24116 000
1606686	HS54154-4
1608133	223-3704
1608147	247-5232
1608194	223-3702
1609367	JV1672
1609874	223-7195 226-2042 226-2048 226-2049 226-2057
161-4378	127 TC 21101 000
1616352	127 TC 24113 010
162-9103	127 TC 21208 000
1625231	JV1698
1625291	JV5049
1627123	JV1698
1627554	CS54163-1
1630054	CS54214-5
1632478	B45978
1635637	JV1698
1646560	224-3748X
1654262	224-3368 224-3368X
1655145	JV5093
166-0327	127 TC 21213 000
1662903	GS33507
1662904	GS33507
1662905	OS32412
1666752	127 TC 24114 000 127 TC 24114 010
167-9271	127 TC 24114 000 127 TC 24114 010
1672452	49575
1684531	224-3586 224-3586X
1684531	224-3586
1685248	EK3537 OS32300
1687224	223-1962
1687226	223-1964
1687246	223-1846 226-2048 226-2049
1694199	OS32224
1694200	OS32166 OS32208
1698598	GS33657

CATERPILLAR	MAHLE
1717264	JV1698
1723280	224-3764X 226-2042
1727492	72216
1759464	72219
1765744	224-3377X
1765749	226-2048 226-2049 S41927 S41943 S42181
1767716	127 TC 24111 000
177-1063	127 TC 21101 000
177-1064	127 TC 21101 000
1770450	223-1835
1774347	JV5093
1777496	226-2048 S41927
1803446	CS54214-4
1807350	223-1952
1807351	224-3635X 226-2048
1807352	224-3374X 224-3397
1851608	72234
1870605	CS54163-1
1871513	224-3794X
1871513 020 OVER	224-3794X.020
1873252	CS4930A
1873255	CS4930 CS54163-4
1873615	HS54515
1878969	SH-2180
1891814	GS33635
1891944	HS54214-1
1891946	HS54155-1 HS54155-3
1891949	HS54214-2
1895133	JV5093
1895135	JV5089
1895136	JV5049
1895389	HS54214-2
1895390	GS33521
1899771	226-2048 226-2049 S41927 S41943 S42181
1905978	CS54643-1
191-8019	127 TC 21213 000
191-8028	127 TC 21208 000

CATERPILLAR	MAHLE
1917854	224-3374X
1917855	224-3635X
192-0949	127 TC 21208 000
193-5867	127 TC 21208 000
195-5993	127 TC 21005 000
195-5995	127 TC 21005 000
195-6029	127 TC 21101 000
195-6031	127 TC 21101 000
1965949	127 TC 24111 000
1965951	127 TC 24114 000 127 TC 24114 010
1965952	127 TC 24113 000 127 TC 24113 010
1969519	MS-2219P
1979291	223-1952
1979322	226-2042 226-2048 226-2049 226-4506 226-4506X 226-4617X
1979372	223-5547
198-1845	127 TC 21101 000
198-1846	127 TC 21101 000
198-8717	127 TC 21208 000
198-8718	127 TC 21208 000
198-8720	127 TC 21208 000
198-8721	127 TC 21208 000
198-8722	127 TC 21208 000
198-8723	127 TC 21208 000
198-8724	127 TC 21208 000
198-8725	127 TC 21208 000
198-8726	127 TC 21208 000
198-8727	127 TC 21208 000
1990658	72217
1A3479	KC 28
1B2418	49113
1C3804	72216
1C6322	CB-619AL-20
1C6327	MB-2580AL
1C6344	CB-619AL
1C6448	223-7107
1D4901	49276
1G6917	223-5506
1G8458	72234
1H0133	72232
1H1023	72012
1H2265	49575
1H5605	224-3189X
1H5728	72230

CATERPILLAR	MAHLE
1H6203	72234
1H7339	72234
1H9696	72224
1J2177	72230
1J6473	223-5506
1J9671	CS54643-3
1K7983	49113
1M3495	224-3189X
1M5295	MB-2581AL
1M6101	223-1833
1M6107	223-3568
1M8317	72117
1M8346	218-7805
1M8384	218-7806
1N3064	224-2188 224-2188X
1N3227	224-2188X
1N3542	MB-2848AL
1N3601	S41287
1N3821	CB-1599P-10
1N3822	CB-1599P-20
1N3967	S41832
1N4336	CB-778AL
1N4337	CB-778AL-25
1N4338	CB-778AL-50
1N4402	OC 138
1P0035	127 TC 27057 000
1P0239	224-3034 224-3034X
1P0241	S40963 S41394
1P1127	S41159
1P1903	HS54109-3
1P2299	KC 28
1P2999	KC 28
1P5352	HS54104-1
1P7960	TW-252S
1P9136	127 TC 27057 000
1R0511	KC 28
1R0658	OC 370
1R0711	KC 28
1R0716	OC 484
1R0720	HX 79
1R0722	HX 78
1R0739	OC 370
1R0740	KC 28
1R0741	HX 79
1R740	KC 28
1S1160	226-4505 226-4505X

CATERPILLAR	MAHLE
1S2353	223-3586
1S2587	226-4505 226-4505X
1S5164	223-1829
1S9543	223-5502
1U2094	HX 79
1U2096	HX 78
1W0311	MB-2734P MS-2000P
1W0311	MB-3414P
1W0312	MB-2733P MB-3415P MS-2000P
1W0312(3)1W0311(2)	MS-2000P
1W1039	72326
1W1655	MS-2000P-10
1W1661	MB-3415P-10 MS-2000P-10
1W1665	MB-3414P-10
1W2070	224-2188.020 224-2188X.020
1W2071	224-2513.020 225-2513.020
1W2556	67821
1W2660	OC 484
1W3300	OC 370
1W3859	211-2493
1W3860	211-2494
1W5009	247-5147
1W5060	229-1848
1W5061	S41287
1W5105	S40538
1W5210	127 TC 27057 000
1W5252	TW-583S
1W5283	218-7805
1W5792	224-2188 224-2188X 224-2513
1W5793	224-2188X 224-2513 225-2513
1W5794	224-2188.020 224-2188X.020
1W5920	SH-2178S
1W6055	S40538
1W6207	247-5026 247-5219
1W6213	247-5151
1W6280	226-4506 226-4506X
1W6440	54225

CATERPILLAR	MAHLE
1W6589	MB-2848AL
1W6757	224-3297 224-3297X
1W7524	CB-1262AL
1W7538	CB-1621P
1W8539	CB-1232AL
1W8633	KC 28
1W8845	OC 282
1W8901	224-3244 224-3244X
1W8922	S41846 S41890
1W8922GA	S41890
1W9372	224-3244 224-3244X
1W9460	226-2042
1W9771	247-5103
20 3580 5	SH-2174
20 3609 0	SH-2175
2023253	JV1732
2024973	JV1700
2030265	72234
2039188	JV5049
2066954	54214
20R0744	226-2054
21 6558 6	SH-2176
2110587	MB-3976P
2110588	MB-3975P
2114321	S41942
2117826	226-4557X
2133190	CB-1932P
2138113	CS54643-1
2144150	CS54214-5 EK3536
2144240	JV1698
2144256	HS54214-2
2161252	EK3535VR HS54214-1
2165582	SH-1979
2165583	SH-2166
2165584	SH-2167
2165585	SH-2168
2165586	SH-1764S SH-1765S SH-2176
2170390	MB-2848AL
2170577	CB-1941P
2175701	VS50631
2188569	HS54214-2
2192889	JV5105
2193501	EK0102VR

CATERPILLAR	MAHLE
2193501	HS54154-17
221-2305	224-3377X
2219362	247-5233
2219364	247-5234
2221177	EK0102VR
2223909	67956
2223910	67948
2226726	JV1700
2243246	CB-1933P
2243871	JV1732
2245122	54643
2246638	CB-1620P
2250115	224-3636 224-3636X 226-2049
2257010	226-2049 S42181
2266070	EK0202 HS54154-1
228-3228	127 TC 21206 000
2281630	HS54214-2
2285820	223-3704
2296259	223-3704
2305003	JV1732
2308917	72117
2310649	EK0202 HS54154-15
2312782	72216
2313539	49575
232-1811	127 TC 21204 000
232-5811	127 TC 21204 000
2322922	JV1674
2323233	MB-2580AL MS-1113AL MS-1114AL MS-957AL MS-958AL
2323233(.050)	MS-1113AL-50 MS-1114AL-50
2323233.050	MS-1113AL-50 MS-1114AL-50
2323235	CB-1933P-25
2323679	JV1698
2326557	224-3641X
2326574	JV1672
2326652	EK3534VR HS54154-2 HS54154-3
2331589	127 TC 21201 000
2331592	127 TC 21201 000
2331596	127 TC 21201 000

CATERPILLAR	MAHLE
2336984	JV5093
2339474	EK3533VR HS54154-6 HS54154-7
2341633	JV5104
2341866	JV5089
2341874	FS4966A JV5049
2341877	JV1700
2341904	JV5105
2347988	HS54163-8
2347998	HS54151-1
2348002	HS54163-7
2348008	HS54163-7
2348013	HS541007
2348020	EK3532
2348021	HS54163-4
2351752	TW-583S
2353571	72216
2365605	211-4166
237-5271	127 TC 21211 000
2370194	S42223
238-2716	224-3714X
2380294	S42223
2382698	224-3791X
2382726	224-3794X
2382726 020 OVER	224-3794X.020
2384737	S42223
2388373	247-5234
239-5581	127 TC 21205 000
2390998	JV5106
2400205	HS54515
2423439	247-5218
2429537	VS50445 VS50464 VS50471
2429834	HS54151-3
2429835	HS54151-6
2429837	HS54151-5
2444486	VS50630
2457339	67949
2463144	TW-701S
2463150	TW-702S
2476892	211-2491 211-2752
2481394	GS33521
2485514	224-3641X
2486740	EK3536 HS54214-2
2486744	EK3537

CATERPILLAR	MAHLE
2486744	EK3538 HS54643-1 HS54643-6
2502940	223-5531
2506564	224-3369 224-3369X
251-4820	127 TC 21201 000
2519351	JV1701
2531752	MB-3448W
2533435	JV5107
2533442	EK3537 EK3538 HS54643-2 HS54643-7
2572754	EK3537 EK3538 HS54643-3
2572756	CS54643-1
2611544	247-5232
2613816	OS32216
2619648	247-5150
262-7330	224-3804X
2629103	MS19528
2629288	224-3803X
2634016	GS33658
2646898	EK3530 HS54192-3
2664325	CS54192
2682932	EK3529 HS54192-1 HS54192-2
269-2920	127 TC 21206 000
2690064	GS33660
2720388	VS50626
2720390	VS50471
2721956	MS19855
2730302	GS33658
2794977	54163
2801470	JV1710
2807038	72230
2812813	HS54192-2
2818261	MS19528
2821771	MB-3977P-.25MM
2822478	CB-1932P-.25MM
2848983	224-3641X
2853200	JV1701
287-8787	HS54841-3
2900017	224-3244 224-3244X
2900528	JV1731
2902060	EK0102VR



CATERPILLAR	MAHLE
2902060	HS54154-4
2908676	JV1732
2919157	JV1731
2920484	CB-1931P
2956438	223-1835
2969852	JV5107
2969934	EK3537 EK3538 HS54643-4
2969949	CS54643-2
297-4830	HS54841-3
297-5350	HS54841-3
2974827	JV5165
2974828	JV5164
2974829	GS33655
2974835	CS54841-1
2974841	GS33657
2975348	JV5164
2975406	CS54841-2
2975867	JV5164
2976163	JV5164
2976380	JV5164
2978786	JV5164
2978934	CS54841-1
298-2111	HS54841-3
2982108	JV5164
2982733	JV5164
2B3712	226-4465 226-4465X
2B6209	49276
2C1865	72218
2D0596	72218
2D1519	72222
2D8540	46818
2F2359	CB-817AL
2F7916	211-2351
2H1062	223-3580
2H1560	HX 79
2H2448	CB-817AL-25
2H2836	72012
2H3088	72329
2H3852	49276
2H3927	72326
2H3932	72216
2H5076	47243
2H6472	72329
2H6500	CB-817AL-25
2J1360	HX 79
2J1560	HX 79
2J1660	HX 79

CATERPILLAR	MAHLE
2J6135	HX 79
2M5558	224-3202X
2M5559	224-3202X
2M6414	217-4063
2M6415	217-4063
2M6499	CB-817AL
2M6499(.010)	CB-817AL-10
2M6499(.010)	CB-817AL-10
2M6499(.075)	CB-817AL-75
2M6499(.075)	CB-817AL-75
2M6500	CB-817AL-25
2M8161	MB-2580AL-30
2M8205	CB-619AL-30
2M9780	CS54643-3
2N7048	MB-2597AL
2N8943	218-7808
2P0716	TW-252S
2P2630	S41394
2P2817	226-2042
2P3760	CS54643-3
2P4004	OC 370
2P4005	OC 484
2P4305	CS54643-3
2P6270	224-3034 224-3034X
2P6463	HS54109
2P6465	HS54109-2
2P8889	226-4493 226-4493X
2P9630	S40963
2R2658	72222
2R2663	72224
2R2664	72212
2R2668	72012
2S0502	CB-619AL-10
2S0503	CB-619AL-20
2S0504	MB-2580AL-10
2S0506	MB-2580AL-20
2S2251	72327
2S2376	49575
2S2743	MB-2580AL-30
2S505	MB-2581AL-10
2S507	MB-2581AL-20
2S508	MS-957AL-10
2S509	MS-958AL-10
2S510	MS-958AL-20
2S511	MS-957AL-20
2S5207	MB-2580AL-20
2S5627	212-1398
2S7423	MB-2580AL-30

CATERPILLAR	MAHLE
2S7424	MB-2581AL-30
2S7426	MS-958AL-30
2U2623	CS54192
2U5321	72232
2U5322	72234
2W0027	223-3695
2W0085	247-5007
2W0646	MB-3466W
2W1672	54151
2W1707	S41394
2W1709	S41394
2W1733	67741
2W1734	67656
2W2300	247-5026 247-5219
2W2585	247-5026 247-5219
2W2620	211-3339
2W2621	211-2491 211-2752
2W2622	211-2493
2W3189	224-3265 224-3265X
2W3236	KX 24
2W4831	224-2188 224-2188X 225-2513
2W4841	224-2513 225-2513
2W6000	226-4506 226-4506X
2W6091	226-1889 S41653
2W6134	223-7188
2W7211	SH-1764S SH-1765S SH-2176
2W7213	SH-1764S SH-1765S
2W7458	247-5050 247-5218 247-5219
2W7960	247-5217
2W7980	229-1848
2W7983	54154
2W8265	224-2738 225-2513 225-2738 S41685 S41883
2W8265(3R)(KS)	S41542
2W8410	224-2188X.020

CATERPILLAR	MAHLE
2W8410	225-2513.020
2W8646	224-2513.020
	224-2738.020
	S41542.020
	S41685.020
	S41883.020
2W8646(3R)(KS)	S41542.020
2W8646(3R)(RECT)	S41685.020
2W8647	224-2738.040
	225-2738.040
	S41542.040
	S41685.040
2W8647(3R)(KS)	S41542.040
2W8647(3R)(RECT)	S41685.040
2Y8096	OC 121
2Y8097	OC 484
3044924	VS50630
305-6220	GS33636
3067460	224-3641X
306805	72216
307700	72226
3077923	JV5164
308-5931	HS54841-1
308-6320	HS54841-1
3081880	49575
3085691	HS54841-4
3085802	JV5164
3085804	GS33655
3085822	JV5164
3086327	CS54841-2
3086346	HS54841-1
3087214	CS54841-2
311178	72112
3119432	223-1832
3119446	S40538
3119472	211-3324
3125775	JV5165
3125776	CS54841-3
3125932	GS33660
3132169	GS33655
3133512	JV5164
3133975	JV5164
3133996	247-5233
3133997	247-5234
3134422	JV5164
3135534	224-3641X
314853	223-5505
3148531	226-4505
	226-4505X

CATERPILLAR	MAHLE
3148652	MB-2580AL-10
3148652C	MB-2580AL-10
3164810	EK3538
	HS54643-2
	HS54643-7
3184327	HS54841-4
3184328	GS33666
3184348	GS33666
3189645	CS54841-3
3189647	JV5164
3189648	GS33666
3205170	HS54841-2
3211415	CS54643-1
3211416	JV5105
3211417	JV1700
3211418	EK3537
	EK3538
	HS54643-4
3255169	JV5165
3255171	GS33666
3256032	SH-2173
3256191	67645
3256192	67821
3259469	CS54841-2
3259470	GS33655
3259472	HS54841-2
3259639	CS54841-1
3291383	JV5164
3312891	HS54841-4
3313950	HS54841-2
3341066	CS54841-1
3342669	CB-619AL
3451909	GS33655
3483681	JV5107
3512791	223-1952
3564787	224-3641X
3683008	HS54214-1
3731885	SH-2187
3769081	MB-2580AL-20
3769081C	MB-2580AL-20
3769082	MB-2580AL-30
3769082C	MB-2580AL-30
3769085	MB-2580AL
3769085C	MB-2580AL
3775833	SH-2172
3775838	54100
3790191	SH-2186
3790196	223-3706
3801548	54151
3807386	54235

CATERPILLAR	MAHLE
3825055	CS54163-1
3825069	HS54192-3
3825070	HS54163-11
3831576	223-7124
3833704	JV5125
3833710	JV5115
3848698	211-4281
3848699	211-3307
3848700	211-2494
3848704	211-2493
3848705	211-4193
3863815	HS54163-12
3872918	HS54163-9
3872921	HS54192-2
3872925	HS54163-8
3880661	JV5127
3911091	HS54218-3
3911092	CS54154-4
3911106	211-4166
3911107	211-4167
3918229	JV5115
	JV5117
	JV5120
	JV5124
	JV5127
	JV5148
3918256	HS54163-11
3918604	CS54163-7
3920166	HS54163-7
3924479	HS54163-12
3925434	JV5121
	JV5125
	JV5128
3925441	CS54163-1
3925540	CS54163-6
3931024	223-7188
3931027	HS54154-4
3933625	JV5148
3935197	CS54100-3
3936199	JV1712
3953837	HS54643-4
3B1143	216-5234
3B3888	49575
3D2824	72216
3D5323	47243
3D5909	72222
3D5923	72012
3E3325	HS54192-3
3E3340	HS54192-2
3E3350	HS54154-1

CATERPILLAR	MAHLE
3E4326	CS54154-6
3E4328	CS54154-2
3E6292	JV5049
3E7471	HS54163-11
3E8898	HS54163-8
3E9893	HS54104-2
3F3433	72230
3F8513	223-5507
3H0107	72212
3H1590	46818
3H3475	226-4465 226-4465X
3H6014	226-4532 226-4532X
3H6015	226-4465 226-4465X
3H6767	223-1831
3I1035	LX 2575
3I1081	OC 67 OC 706
3I1099	OC 114
3I1143	KC 28
3I1144	KC 28
3I1341	KX 23
3I1376	OC 1001
3K0360	CS54643-3
3K6152	49276
3K6256	49276
3K6727	HX 79
3K6850	72216
3K9121	46818
3L0642	49450
3N1141	211-3324
3N4987	49450
3P0650	CS54643-3
3R3194	224-3189X
3S1826	224-3231 224-3231X
3S1850	226-4518 226-4518X
3S3285	CB-694AL
3S3977	223-7107 223-7132
3S4028	224-3202X
3S4029	S40574
3S4031	226-1697 S41822
3S4040	224-3189X
3S4061	S40538
3S5501	224-3026 224-3026X

CATERPILLAR	MAHLE
3S5502	224-3026
3S7774	TW-252S
3S9643	GS27706
3S9730	MB-2580AL
3Y0900	OC 121
3Y0900X	OC 121
3Y900	OC 121
3Y900X	OC 121
4181951	CS54100-5
4194650	223-3712
4196381	MB-3455P
4338194	OS32274
4380149	HS54154-4
4B4529	49727
4F0213	211-3350
4F1466	72012
4F4584	47243
4F5017	72115
4F5409	212-1393
4F5605	223-3571
4F5619	218-7808
4F6486	226-4532 226-4532X
4F7021	223-5504
4F7390	72330 CS54643-3
4F7952	72222
4F8380	CB-400AL-30
4F8824	72327
4F9029	72217
4H0621	217-3283
4H5507	CB-817AL
4H5508	CB-817AL-25
4H7612	CB-817AL
4H8625	226-4505 226-4505X
4H9804	211-3324
4H9805	211-3353
4H9884	CB-778AL
4J0806	HX 79
4J3955	72011
4J6064	HX 79
4J6068	HX 79
4J806	HX 79
4J8980	49575
4L3763	CB-970AL
4L3843	223-1832
4L4647	MB-2597AL
4L4653	MB-2597W TW-226S

CATERPILLAR	MAHLE
4L4941	CB-619AL-30
4L9855	CB-619AL
4M0386	218-7805
4M277	MB-2581AL-30
4M2969	OS32166 OS32208
4M5489	223-1828
4M8165	S40574
4M8196	CB-694AL
4M8303	72117
4M9110	224-3189X
4M9111	224-3189 224-3189X
4M9112	224-3189X
4M9183	223-3580
4N0223	72115
4N0685	SH-1487 SH-2186
4N0699	CS54643-3
4N1151	EK3533VR EK3534VR EK3535VR OS32183 OS32500A
4N1627	226-4506 226-4506X
4N2271	211-2494
4N3661	CS54643-3 OS32183
4N3665	217-4063
4N3666	217-4063
4N3668	217-4063
4N4029	224-3369X
4N5374	211-2493
4N5619	S41159 S41287
4N5653	211-2494
4N5654	211-2493
4N5893	218-7806
4N6258	CB-619AL
4N6658	SH-1488 SH-2187
4N6858	127 TC 27057 000
4N6859	127 TC 27057 000
4N6883	211-3324
4N7692	247-5067 247-5217
4N7693	247-5050 247-5218
4N7694	247-5217
4N7696	247-5218

CATERPILLAR	MAHLE
4N8969	127 TC 17332 000
4N9258	224-3034 224-3034X
4N9544	127 TC 21103 000
4N9617	127 TC 21102 000
4N9618	127 TC 21102 000
4N9714	127 TC 27057 000
4P1546	224-3714X
4P1724	67741
4P2059	127 TC 24162 000
4P2060	127 TC 24163 000
4P2061	127 TC 24100 000
4P2064	127 TC 21003 000
4P2458	127 TC 21003 000
4P2654	224-3271 224-3271X
4P2656	S41841
4P2657	S41841
4P2658	S41841
4P2733	67741
4P2734	67656
4P2990	224-3360 224-3360X
4P6930	54156
4P7377	223-3703
4P7750	B45898
4P8495	223-3586
4P8915	54100
4P9584	127 TC 24174 000
4R8831	67950
4S6834	CB-964AL
4S7424	S40538
4S8881	MB-2580AL-10
4S8883	MB-2580AL-20
4S8885	MB-2580AL-30
4S8886	MB-2581AL-30
4S9276	CB-964AL-25
4S9277	CB-964AL-50
4S9338	MS-1048AL-25
4S9387	MS-1048AL
4S9388	MS-1048AL-25
4S9390	MS-1049AL
4S9392	MS-1049AL-25
4S9396	MB-2585AL-25
4W0045	54151
4W0452	67645
4W3498	247-5203
4W4746	224-3265 224-3265X
4W5492	MB-2848AL

CATERPILLAR	MAHLE
4W5695	CB-1233AL
4W5698	MB-2848AL-25
4W5699	MB-2848AL-50
4W5702	CB-1262AL-25
4W5703	CB-1262AL-50
4W5738	MB-2580AL MS-958AL
4W5739	CB-619AL
4W6000	OC 484
4W7402	224-3265 224-3265X
4W7403	223-1840
4W7693	247-5218
4W8090	CB-1215P
4W8091	MB-2735P MS-1420P MS-1421P MS-1422P
4W8091(.030)	MS-1420P-30 MS-1421P-30 MS-1422P-30
4W8092	MB-2734P MS-1420P MS-1421P MS-1422P MS-2020P
4W8092(.030)	MB-2734P-30 MS-1420P-30 MS-1421P-30 MS-1422P-30 MS-2020P-30
4W8093	MB-2733P MS-1420P MS-2020P
4W8093(.030)	MB-2733P-30 MS-1420P-30 MS-2020P-30
4W8484	223-1840
4W9022	MS-1422P-10
4W9023	MS-1422P-20
4W9064	MS-1422P-20
4W9065	MS-1422P-10
512830	49113
536959	72012
5A6717	KC 28
5B1567	CB-817AL
5B1568	CB-817AL
5B4362	CB-817AL
5B8750	CB-817AL
5B8751	CB-817AL
5C1791	OC 42
5C9858	OS32166

CATERPILLAR	MAHLE
5D1478	72222
5D1569	72219
5D3752	72230
5E0821	72214
5E0845	72216
5E2517	72218
5E2745	72224
5E2818	72226
5E3014	223-5506
5E3200	72011
5E3260	72232
5E3268	72112
5E3290	72212
5E3337	72216
5E3566	72216
5E8614	72230
5E8950	72218
5E9965	72232
5F1678	72214
5F2910	CB-817AL
5F3092	72336
5F3111	212-1395
5F6710	226-4465 226-4465X
5F8000	72226
5F8365	211-2352
5F9144	72011
5F9657	72221
5H4344	S40538
5H5992	CB-778AL-50
5H5993	CB-778AL-25
5H6174	HX 79
5H6497	72234
5H8848	72232
5H9836	72226
5I7671	247-5235
5I8018	127 TC 15123 000
5J6174	HX 79
5J9174	HX 79
5K5959	72329
5L4195	CB-970AL-50
5M1784	224-3202X
5M1889	218-7805
5M5828	211-2352
5M7468	MS-958AL-30
5M7469	MS-957AL
5M7470	MS-958AL
5M8256	226-4505 226-4505X
5P0091	49353



CATERPILLAR	MAHLE
5P1119	OC 370
5P1988	HS54235-2
5P2060	GS33506
5P3249	HS54104-2
5P3250	HS54104-2
5P4173	223-8146
5P5678	VS50464
5P5678	VS50464 VS50518
5P5678 3 METER	VS50518
5P6927	HS54109-4
5P6931	HS54109-6
5P7092	HS54109-5
5P7701	CS54643-3
5P8052	HS54155-1
5P8053	EK3534VR HS54154-2
5P8108	CS54154-7
5P8365	HS54155-3
5P8366	HS54154-9
5P8767	CS54163-2
5P8768	223-7188
5P8769	JV5118
5P8789	223-7107 223-7146
5P8873	HS54102
5P8970	223-7124
5P9098	HS54235-2
5P9099	CS54163-3
5P9100	JV5116
5P9221	223-7115
5P9414	HS54218-1
5P9415	CS54100-6
5P9416	JV5147
5P9564	CS4930A
5P9568	JV5148
5P9570	JV1706
5P9571	JV1707
5P9970	CS54151-2
5S2886	224-3258
5S316	CB-694AL-25
5S4049	HS54101-1
5S5252	247-5217
5S6281	54235
5S6296	67767
5S6346	226-4493 226-4493X
5S6449	211-2753
5S6452	211-2491 211-2752

CATERPILLAR	MAHLE
5S6670	223-7188
5S6750	S42139
5S7232	211-2492
5S7570	S41670
5W1784	72219
5W3394	KC 6
5W4838	72224
5W5887	OC 26
5W6081	KX 23
5Y0372	223-5507
607168	72115
612650	224-3396 224-3396X
614325	72011
614335	72115
616343	72232
616378	72112
618316	72116
619705	72011
627197	72232
627384	72115 72116
629540	72212
640042	49276
644119	49113
651162	72011
676987	KX 23
694229	OC 67 OC 706
694229E	OC 67 OC 706
6B2291	223-5505
6B6459	CB-817AL
6B6477	CB-817AL
6B7199	CB-817AL
6C5759	72011
6E5529	72232
6F0634	72011
6F1945	CB-817AL
6F3443	223-3580
6F5251	223-1831
6F6672	72115
6F6673	72218
6F9159	72115
6H3026	211-3350
6H3186	211-3353
6H3187	211-3324
6H5646	211-2351
6I0497	S42054 S42085

CATERPILLAR	MAHLE
6I0497	S42139
6I1453	247-5146
6I1589	211-4193
6I2726	223-3703
6I3066	54154
6I4361	223-8015
6I4362	223-8017
6I4420	54214
6I4574	127 TC 24116 000
6I4609	224-3393 224-3393X 226-1977
6I4689	54215
6L5124	47243
6L7440	KC 28
6L7841	CB-970AL
6L7844	CB-970AL-50
6N1396	OS32183
6N1571	127 TC 17332 000
6N2236	217-4063
6N2842	226-4465 226-4465X
6N3784	KC 28
6N3908	CB-1262AL
6N3909	MB-2848AL
6N4129	TW-252S
6N4166	CB-1262AL-25
6N4167	CB-1262AL-50
6N4168	MB-2848AL-25
6N4170	MB-2848AL-50
6N5026	S41329
6N5398	226-4465 226-4465X
6N5536	S41329
6N5673	229-1848
6N6230	MB-2597AL-25
6N6231	CB-970AL-25
6N6515	127 TC 15121 000
6N6642	224-3022 224-3022X
6N6991	CB-1232AL
6N7155	127 TC 15120 000
6N7174	B45886
6N7263	54235
6N7344	S41287
6N7436	CB-1262AL
6N8052	226-4493X
6N8477	127 TC 15121 000
6N8505	54151
6N8566	127 TC 15121 000

CATERPILLAR	MAHLE	CATERPILLAR	MAHLE	CATERPILLAR	MAHLE
6N8743	MB-2848AL	6V3750	HS54139-7	777261	KC 28
6N8745	MB-2733P	6V3774	223-7192	777428	72212
6N8746	MB-2734P	6V3785	HS54151-1	777503	72214
6N8747	MB-2735P	6V4705	HS54163-7	777564	72116
6N8749	MB-2733P	6V4763	JV5118	778246	72012
6N8760	CB-694AL	6V4778	CS54100-4	778343	72012
6N8853	67821	6V4784	HS54163-7	778966	72232
6N8903	224-2188.020 224-2188X.020	6V4785	JV5127	779869	72214
6N8940	MB-2580W TW-252S	6V5048	CS54643-3	779927	72234
6N9647	224-3235X	6V5049	CS54643-3	780735	72218
6N9837	CB-1215P-10	6V5266	CS54643-3	780982	72117
6N9838	CB-1215P-20	6V5416	HS54139-2	781930	72011
6N9916	211-3306	6V5417	HS54139-1	781941	72115
6N9968	CB-1233AL	6V5456	HS54139-5	781942	72116
6V0260	HS54218-3	6V5462	HS54139-4	781946	72117
6V0600	HS54218-3	6V5975	CS4930	781950	72212
6V0602	EK3531 HS54100-4		CS54163-4	781955	72214
6V0603	EK3531 HS54100-3 HS54100-4	6V5976	JV1708	781959	72216
6V0605	CS54100-2	6V5978	JV5121	781962	72217
6V0607	CS54100-7	6V6228	CS54643-3	781964	72218
6V0611	JV5126	6V6403	HS54154-12	781969	72221
6V0712	HS54235-2	6V7266	HS54139-11	781973	72222
6V0715	HS54235-3	6V7457	HS541007	781977	72326
6V0896	JV1711	6V7460	JV5118	781979	72224
6V1336	JV1714	6V8023	CS54163-6	781985	72226
6V1549	JV5122	6V8024	CS54163-1	781991	72230
6V1658	JV5117	6V8027	CS54163-4	781995	72234
6V1659	JV1713	6V8398	CS54643-3	785391	72012
6V1680	JV1712	6V8608	JV1672	785392	72112
6V2209	EK3532	6V8902	HS54163-4	787215	72327
6V2246	HS54218-3	6V9221	CS54154-4	792099	72327
6V2466	JV5123	6V9222	JV5049	7B2124	223-7107
6V2501	JV5128	6V9890	HS54154-2 HS54154-3	7B309	CB-817AL
6V2509	JV5122	6V9907	JV5049	7B310	CB-817AL
6V2514	CS54163-5	773175	72216	7B4141	CB-817AL
6V2523	EK3532	773297	72222	7B4142	CB-817AL
6V2525	HS54163-5	773323	72116	7B7141	CB-817AL
6V2526	HS54163-9	773399	72230	7B7142	CB-817AL
6V2527	HS54163-9	773469	72112	7B7196	CB-817AL
6V2528	HS54163-9	773636	72116	7C0111	223-5516
6V2531	HS4966	773777	72012	7C0115	223-1853
6V2552	JV1714	773835	72234	7C0307	CS54643-3
6V2921	JV1711	773846	72222	7C1599	54151
6V2982	JV1706	774197	72011	7C2431	224-3265 224-3265X
6V2983	JV1707	774718	72222	7C2553	224-3274X
		774752	72117	7C2888	224-3378X 224-3400
		775094	72012	7C3406	224-3023 224-3023X
		775282	72011		
		775546	72232		

CATERPILLAR	MAHLE
7C3496	224-3268 224-3268X
7C3536	247-5219
7C3570	67956
7C3571	67956
7C3638	KC 28
7C3862	229-2189
7C3901	223-1930
7C4163	67949
7C4228	OC 282
7C4297	67821
7C4859	247-5026 247-5219
7C5215	211-4194
7C5957	224-3393 224-3393X
7C6208	226-4579
7C6209	MB-3466W
7C6976	CB-1620P-.25MM
7C6977	CB-1620P-.50MM
7C7691	127 TC 24094 000
7C7980	67956
7C8609	223-3710
7C8632	127 TC 21104 000
7C8939	S41908
7C9381	224-3588 224-3588X
7E0460	127 TC 21003 000
7E0539	224-3028 224-3028X
7E0558	CB-1622P-25
7E0559	CB-1622P-50
7E1177	223-5511 226-2048 226-2049
7E1749	223-1846
7E2602	127 TC 15121 000
7E2899	S42074
7E3240	54154
7E3428	224-3749X 224-3749X.50MM
7E3835	127 TC 21003 000
7E3888	224-3588 224-3588X
7E4726	224-2738
7E4726(.020)	224-2738.020
7E4726(.040)	224-2738.040
7E4729	224-2568 224-2568X 225-2738
7E4729(.020)	225-2738.020

CATERPILLAR	MAHLE
7E4729(.040)	225-2738.040
7E5213	S41771
7E5214	S41772
7E5665	223-5507 226-2038 226-2042 226-2057
7E6000	54154
7E6047	S41670
7E6167	54163
7E7310	224-3238 224-3245 224-3245X
7E7589	67948
7E7894	CB-1215P
7E7940	224-3393 224-3393X
7E7997	CB-1621P
7E7998	CB-1621P-25
7E8700	224-3291 224-3291X
7E8929	224-3244 224-3244X
7E9262	MB-3448W TW-583S
7E9578	211-4194
7F2122	72335
7F5310	211-2351
7F6732	72115
7F8294	SH-1762S SH-2178S
7F8295	SH-1762S SH-2178S
7F8607	72116
7F9214	46818
7H6704	CB-817AL
7K9201	49353
7L3386	CS54643-3
7M3528	MB-2279AL-50
7M3632	MB-2279AL-25
7M3677	CB-694AL-25
7M4046	SH-2170
7M4925	223-3570
7M4926	223-5501 223-5505
7M5564	S40538
7M7358	211-2490
7M7360	211-2489
7M7817	211-3353
7M7821	CB-619AL
7M7826	CB-619AL-30

CATERPILLAR	MAHLE
7M8485	CS54643-3
7M8695	224-3202X
7M9286	MB-2581AL
7M9287	MB-2580AL
7M9288	MB-2580AL-30
7M9289	MB-2581AL-30
7M9290	MS-957AL
7M9291	MS-958AL
7M9293	MS-958AL-30
7N0572	211-3339
7N0626	54154
7N0737	224-3275 224-3275X
7N0940	211-2494
7N0943	226-4506 226-4506X
7N1192	MB-2848AL-25
7N1194	MB-2848AL-50
7N1363	CB-694AL-25
7N1366	224-3185 224-3185X
7N1437	MB-2279AL-50
7N1438	MB-2279AL-25
7N1630	211-2494
7N2048	SH-1761 SH-2169
7N2394	CB-1621P
7N3230	223-3577 223-3709
7N3782	MB-2733P
7N3783	MB-2734P
7N4332	223-3705
7N4515	224-3026 224-3026X
7N4580	211-2494
7N4651	127 TC 15120 000
7N5035	224-3022 224-3022X
7N5036	224-3022 224-3022X
7N5681	226-4505 226-4505X
7N7078	226-2042 226-2057
7N7164	224-3235X
7N7386	54218
7N7696	247-5218
7N7748	127 TC 15122 000
7N7999	54163
7N8175	MS19416
7N8757	CB-778AL

CATERPILLAR	MAHLE
7N8947	TW-583S
7N9342	MB-3451W TW-693S
7N9803	223-1836
7N9804	223-1829
7N9805	223-1835
7N9806	223-1833
7N9807	223-1839
7N9809	223-1831
7N9810	223-1832
7N9850	127 TC 15120 000
7R0097	72232
7R3402	72011
7R6541	223-5506
7R7148	72234
7R7174	72115
7R7211	72011
7S2718	HS54139-3
7S6767	211-2492
7S6792	224-3034 224-3034X
7S8378	S40963
7S8809	211-2491
7S9347	223-3707 CB-694AL
7S9404	S40963 S41394
7S9439	MB-2581AL MS-957AL MS-958AL
7S9843	MS-958AL
7S9844	MB-2581AL-10 MS-957AL-10 MS-958AL-10
7S9845	MB-2580AL-20 MB-2581AL-20 MS-957AL-20 MS-958AL-20
7S9846	MB-2581AL-30 MS-958AL-30
7S9862	MS-958AL-10
7S9863	MS-958AL-20
7S9864	MS-958AL-30
7U6879	72230
7W-9415	CB-1620P
7W0552	224-3394 224-3394X
7W1670	211-2491
7W2059	54151
7W2136	CB-694AL
7W2293	226-4510

CATERPILLAR	MAHLE
7W2326	OC 42
7W2327	OC 37
7W3550	226-2038 226-4506 226-4506X
7W3668	224-3268 224-3268X
7W3846(.020)	224-3274X.020
7W3846(.040)	224-3274X.040
7W3846020	224-3274X.020
7W3846040	224-3274X.040
7W4487	GS33506
7W5105	226-1844
7W5497	OC 484
7W5844	223-3712
7W6130	67779
7W6221	OC 37
7W6952	S41908
7W8064	211-4193
7W8860	OS32216
7W8922	226-1901
7W9143	B46016
7W9414	MB-3455P
7W9417	MB-3454P
7W9568	127 TC 21003 000
7W9955	54215
7X2403	HS54151-51
7X2404	HS54151-52
7X2408	HS54151-53
7X2521	CS54192
7X2617	CS54163-1
7X2632	HS54154-4
7X2829	HS54192-6
7X2833	JV5124
7X2862	JV5049
7X2863	JV1672
7X2908	223-5543
7X5361	72214
7X5368	72011
7X5427	72216
7X5430	72012
7X5506	72224
7X7140	72112
7X7657	EK3533VR HS54154-8
7X7884	HS54151-3
7X7917	CS54163-1
812608	223-5543
812684	OC 33
813463	72234

CATERPILLAR	MAHLE
813617	72214
814024	72012
814207	72219
814662	KC 6
818414	72112
821630	72222
821694	72012
821702	72116
821737	72012
830262A	HX 79
861648	72116
870356	72012
870921	72326
870927	72224
894957	72011 72116 72212
894975	72112 72115 72116 72214 72222
894994	72224
894995	72115 72232
895792	72214
8B0375	226-4465 226-4465X
8C0362	72219
8C0624	CS54643-3
8C4438	HS54151-7
8C4440	HS54151-6
8C4442	HS54151-5
8C4455	CS54154-14
8C4457	JV5049
8C5051	JV5128
8C5230	CS54643-3
8C5704	EK0102VR HS54154-4
8C5799	JV1674
8C6715	CS4930 CS54163-4
8C6716	CS54163-4
8C6882	CS54151-7
8C7432	72234
8C7439	72012
8C7572	HS54151-2
8C8061	72116
8C8432	CS54100-4
8C8480	JV5049
8C8741	JV1713



CATERPILLAR	MAHLE
8C8744	JV1714
8C8745	JV1711
8C8805	HS54163-1
8C9132	49575
8F0021	72216
8F1763	72216
8F3469	72114
8F3470	72219
8F6960	72115
8F8570	226-4532 226-4532X
8F8571	226-4465 226-4465X
8F9206	72112
8F9284	223-1831
8H1993	211-2351
8H1994	211-2352
8H2000	224-3228X
8H2046	72340
8H7097	211-3324
8H8969	49353
8H9654	SH-2170
8J4351	CS54643-3
8L2779	GS33506
8L2786	CS54643-3
8L3440	223-3585 223-3705
8L3443	223-1839
8L4066	224-3271
8L4166	224-3271
8M1916	218-7805
8M3770	HS54109-1
8M4437	72113 72114
8M4505	247-5136
8M4776	KC 28
8M4986	CS54643-3
8M6487	223-1835
8N 0702	223-3707
8N 8224	MB-2580AL
8N0701	223-3569
8N0705	223-3585 223-3705
8N0706	223-3577 223-3709
8N0822	S41159
8N0875	211-2492
8N0931	224-3235X
8N1605	224-3244 224-3244X

CATERPILLAR	MAHLE
8N1606	224-3244 224-3244X
8N1608	223-1830 226-2038 226-2042 226-2057
8N1849	223-3643 223-3706
8N1985	223-3708
8N2018	223-3586
8N2219	CB-619AL
8N2275	223-3570
8N3102	224-3368
8N3182	224-3369 224-3369X
8N3184	224-3248
8N3723	211-3324
8N4111	229-2189
8N4774	127 TC 15121 000
8N5337	CB-694AL
8N5339	CB-694AL-25
8N5346	MB-2279AL-25
8N5347	MB-2279AL-50
8N5421	MB-2848AL
8N5422	MB-2848AL-25
8N5423	MB-2848AL-50
8N5426	CB-1262AL
8N5427	CB-1262AL-25
8N5428	CB-1262AL-50
8N5536	224-2188
8N5621	CB-1232AL
8N5676	226-4465 226-4465X
8N5760	226-1721 S41329
8N5951	CB-1233AL
8N6308	CB-1599P
8N6861	226-4542 226-4542X
8N7294	223-5506
8N7295	223-5507
8N7296	223-5508
8N730	MB-2734P
8N731	MB-2735P
8N7764	MB-2597AL MS-1058AL MS-1059AL MS-1069AL
8N7765	MB-2597AL-25 MS-1069AL-25
8N7769	CB-970AL

CATERPILLAR	MAHLE
8N7770	CB-970AL-25
8N7771	CB-970AL-50
8N7808	224-3265 224-3265X
8N7923	MS-1048AL MS-1049AL
8N7924	MB-2585AL-25 MS-1048AL-25
8N7928	MS-1048AL MS-1049AL
8N7929	MS-1048AL-25
8N7933	CB-964AL
8N7934	CB-964AL-25
8N7935	CB-964AL-50
8N8058	223-5507
8N8064	223-5506
8N8219	CB-619AL
8N8220	CB-619AL
8N8221	CB-619AL-10
8N8222	CB-619AL-20
8N8223	CB-619AL-30
8N8225	MB-2580AL MB-2580AL-10 MS-1113AL-10 MS-1114AL-10 MS-957AL-10 MS-958AL-10
8N8226	MB-2580AL-20 MS-1113AL-20 MS-1114AL-20 MS-957AL-20 MS-958AL-20
8N8227	MB-2580AL-30 MS-1113AL-30 MS-1114AL-30 MS-958AL-30
8N8926	MS-1422P-10
8N8928	MS-1594P
8N8929	MB-2736P MS-1422P
8N8929(.030)	MS-1422P-30
8N8930	MS-1594P-20
8N8931	MS-1422P-20
8N8971	MS-1593P-20
8N8972	MB-2733P-20 MS-1420P-20 MS-2020P-20
8N8973	MS-1593P
8N8976	MB-2733P-10 MS-1420P-10 MS-2020P-10
8N9019	MS-1592P-20 MS-1593P-20

CATERPILLAR	MAHLE
8N9019	MS-1594P-20
8N9021	MS-1592P MS-1593P MS-1594P
8N9022	MB-2734P-10 MS-1420P-10 MS-1421P-10 MS-2020P-10
8N9023	MB-2734P-20 MS-1420P-20 MS-1421P-20 MS-2020P-20
8N9064	MB-2735P-20 MS-1420P-20 MS-1421P-20
8N9065	MB-2735P-10 MS-1420P-10 MS-1421P-10
8N9067	MB-2930P MS-1592P MS-1593P MS-1594P
8N9068	MS-1592P-20 MS-1593P-20 MS-1594P-20
8N9174	226-4505 226-4505X
8N9247	127 TC 21002 000
8S1605	VS50315
8S1965	OS32224
8S2240	226-4518 226-4518X
8S2669	226-4493 226-4493X
8S3911	72011
8S3978	MS-1113AL
8S3979	MS-1113AL-10
8S3980	MS-1113AL-20
8S3981	MS-1113AL-30
8S3982	MB-2580AL
8S3983	MB-2580AL-10
8S3984	MB-2580AL-20
8S3985	MB-2580AL-30
8S4190	72327
8S7928	46818
8T0659	GS33506
8T1606	HS54100-6
8T1607	JV5125
8T1622	HS54163-3
8T2466	JV1712
8T3383	HS54151-2
8T6677	HS54154-6

CATERPILLAR	MAHLE
8T6930	CS54154-13
8T6955	HS54163-12
8T7039	CS54163-7
8T7065	JV1710
8T7142	72327
8T7161	72113
8T7217	72326
8T7220	72117
8T7228	72115
8T7246	72232
8T7251	72234
8T7257	72219
8T7258	72218
8T7259	72226
8T7271	72116
8T7281	72221
8T7286	72217
8T7301	72216
8T7314	72224
8T7320	72222
8T7452	OC 484
8T7477	KX 23
8T8086	72230
8T8101	72212
8T8479	72219
8T8543	72112
8T9485	JV5125
8T9486	CS54100-3
8T9845	JV5128
8U0219	72232
8U0222	72216
8U1375	72230
8U2089	72012
8U5071	72116
8X5051	JV5128
922301	72234
937058	72230
951746	72230
951747	72234
951761	72216
952720	72216
971357	KX 23
981242	223-5506
983621	72112
993191	72112
9D6581	49353
9F1848	223-3571
9F3643	CB-400AL-30
9F8581	CB-400AL-30

CATERPILLAR	MAHLE
9H1224	S40538
9H1401	S70583
9H2258	49113
9H2739	MB-2580AL
9H3984	223-3574
9H3987	CB-619AL
9H4015	223-5503
9H4016	223-1829 223-1831
9H5874	226-4518 226-4518X
9H9164	212-1398
9J0750	HX 78
9J5461	HX 78
9J750	HX 78
9L2316	223-1829
9L5792	MB-2734P
9L5854	223-7146
9L6053	224-3275 224-3275X
9L6266	247-5216
9L6935	S41394
9L6979	224-2786
9L7128	MB-2734P
9L7622	218-7807
9L7651	CB-972P
9L7682	211-2455
9L7683	211-2456
9L7785	MB-2734P-20
9L7786	MB-2735P-10
9L7787	MB-2735P-20
9L7788	CB-972P-10
9L7789	CB-972P-20
9L7945	MB-2734P
9L7946	MB-2735P
9L7950	MB-2734P-10
9L7951	MB-2735P-10
9L7952	MB-2734P-20
9L7984	MB-2734P-10
9L7985	MB-2734P-20
9L8016	OS32178
9L8027	MS19373
9L8051	218-7807
9L8072	SH-1245
9L8108	223-1836
9L8243	212-1288
9L8338	MB-2734P
9L8363	CB-972P
9L8377	211-2456
9L8382	223-3569

CATERPILLAR	MAHLE
9L8420	72117
9L8865	54151
9L9098	GS33506
9L9120	54151
9L9164	54151
9L9172	212-1289
9L9190	212-1288
9L9232	247-5216
9L9244	211-2456
9L9319	224-2786
9L9324	CB-972P
9L9363	224-2786
9L9413	MB-2735P
9L953	MB-2735P-20
9L9612	S41883
9L9641	218-7807
9L9851	211-2455
9L9889	223-1836
9M3205	218-7806
9M3892	CB-778AL
9M4163	211-2489
9M4871	CB-778AL-25
9M4876	CB-778AL-50
9M5349	212-1386
9M5350	212-1387
9M5477	SH-2171
9N0300	247-5007
9N0303	247-5007
9N0875	S41883
9N1030	MB-2736P
9N1034	CB-1215P-20
9N1035	CB-1215P-10
9N1036	MB-2736P
9N1354	223-3628
9N2601	CB-1215P
9N2837	218-7807
9N2874	224-3275 224-3275X
9N302	MB-2733P
9N3047	MB-2735P-20
9N3050	CB-972P
9N3052	CB-972P-20
9N3053	CB-972P-10
9N3054	MB-2733P-20
9N3055	MB-2733P-10
9N3058	MB-2735P-10
9N3059	MB-2734P-10
9N3060	MB-2734P-20
9N3070	MB-2736P

CATERPILLAR	MAHLE
9N3387	212-1288
9N3617	212-1288
9N397	CB-1215P
9N5082	223-3628
9N5125	211-3307
9N5246	SH-1245 SH-1245S SH-2178S
9N5250	224-3034 224-3034X
9N5283	MB-2734P-10
9N5291	MB-2736P
9N5403	224-3251X
9N5405	224-2188
9N5406	224-2188.020
9N5790	CB-1215P
9N5791	MB-2735P
9N5792	MB-2734P
9N5793	MB-2733P
9N5860	OC 26
9N5920	CB-1215P-10
9N5921	CB-1215P-20
9N5923	CB-972P
9N5924	CB-972P-10
9N5925	CB-972P-20
9N6117	211-2491 211-2752
9N6220	247-5007
9N6221	247-5007
9N6275	226-4487
9N6321	CB-1262AL
9N6337	224-2188X
9N7439	72218
9N7728	72232
9N8013	247-5216
9N875	S41883
9S0558	HS54104
9S1746	72230
9S2263	S41908
9S3029	S42139
9S3037	MB-3057W TW-409S
9S3038	67821
9S30638	226-1967
9S3068	S40963
9S6557	226-4493 226-4493X
9S7683	HS54103-1
9S8704	226-1685 S40574

CATERPILLAR	MAHLE
9S8973	S40538
9S9040	217-4063
9S9140	217-4063
9S9699	218-7805
9W4959	72234
9W6428	HX 79
9X2224	HS54163-2
9X2518	HS54163-1
9X4402	KC 28
9X6288	JV5049
9X6473	CS54154-5
9X6573	JV5049
9X7317	VS50464
9X7418	VS50464
9X7419	VS50464
9X7430	GS33507
9X8319	HS54154-7
9X8563	JV5128
9X8567	JV5121
9Y1723	229-2189
9Y1915	224-3023 224-3023X
9Y3116	224-3268 224-3268X
9Y3368	223-8016
9Y4124	224-3394 224-3394X
9Y4402	KC 28
9Y4403	KC 28
9Y4421	KC 6
9Y4430	KX 23
9Y4449	OC 67 OC 706 OC 707
9Y4450	OC 103
9Y4452	OC 114
9Y4454	OC 715
9Y4455	OC 81
9Y4458	OC 42
9Y4459	OC 981
9Y4468	OC 282
9Y4474	OC 26
9Y4479	OC 37
9Y4486	OX 80
9Y4487	OC 23 OC 501
9Y4488	OC 33
9Y4491	OC 230
9Y4492	OC 25
9Y4493	OC 338

CATERPILLAR	MAHLE
9Y4494	OC 330
9Y4497	OX 80
9Y4499	OX 79D
9Y4506	OC 713
9Y4507	OC 981
9Y4510	OC 47 OC 47 OF
9Y4512	OC 230
9Y4516	KC 6
9Y4517	247-5218
9Y4523	HX 78
9Y4582	MS19416
9Y5559	224-2188X
9Y6773	224-2568 224-2568X
9Y7212	224-3238 224-3245 224-3245X
9Y7735	CB-1622P
9Y7786	54154
9Y8371	224-3586 224-3586X
9Y8847	B45898
9Y9497	CB-1262AL
9Y9889	224-3023 224-3023X
9Y9895	67767
A28741	OX 80
S30262A	HX 79

MAHLE Original	CATERPILLAR	MAHLE Original	CATERPILLAR	MAHLE Original	CATERPILLAR
127 TC 15120 000	0R5796 6N7155 7N4651 7N9850	127 TC 21201 000	10R1887 10R2407 2331589 2331592 2331596 251-4820	127 TC 24112 000	0R6990 0R7204 0R7205 1243759 1323649
127 TC 15121 000	0R5824 6N6515 6N8477 6N8566 7E2602 8N4774	127 TC 21202 000	10R8733	127 TC 24113 000	0R7275 0R7285 0R7924 1598542 1965952
127 TC 15122 000	0R5807 7N7748	127 TC 21204 000	10R1888 232-1811 232-5811	127 TC 24113 010	0R7285 1616352 1965952
127 TC 15123 000	5I8018	127 TC 21205 000	10R2027 239-5581	127 TC 24114 000	0R6940 0R6986 0R6989 0R7140 0R7152 0R7201 0R7203 0R7223 0R7283 0R7299 0R7310 0R7923 1169582 1169586 1243032 1243035 1366390 1374832 1418937 1418939 1464328 1666752 167-9271 1965951
127 TC 17332 000	0R5809 4N8969 6N1571	127 TC 21206 000	10R1103 10R3280 228-3228 269-2920	127 TC 24114 010	0R7310 1374832 1666752 167-9271 1965951
127 TC 21002 000	0R5811 8N9247	127 TC 21208 000	0R7569 0R75690 162-9103 191-8028 192-0949 193-5867 198-8717 198-8718 198-8720 198-8721 198-8722 198-8723 198-8724 198-8725 198-8726 198-8727	127 TC 24116 000	0R6694 0R6935 0R6984 0R7142 0R7200 0R7284 1169574 1243030 1367619 1418936 1605550 6I4574
127 TC 21003 000	0R5733 0R6051 0R6053 0R6169 0R6170 0R6689 0R6957 0R6960 102-9429 1198518 4P2064 4P2458 7E0460 7E3835 7W9568	127 TC 21211 000	10R1795 237-5271	127 TC 24116 010	0R7200 1367619 1418936
127 TC 21005 000	0R7279 0R9865 195-5993 195-5995	127 TC 21213 000	0R7296 0R7573 166-0327 191-8019		
127 TC 21101 000	0R6973 0R9802 10R0364 120-8362 161-4378 177-1063 177-1064 195-6029 195-6031 198-1845 198-1846	127 TC 24088 000	0R6877		
127 TC 21102 000	0R5812 4N9617 4N9618	127 TC 24094 000	0R6333 7C7691		
127 TC 21103 000	0R5385 4N9544	127 TC 24100 000	0R6167 4P2061		
127 TC 21104 000	0R6342 7C8632	127 TC 24111 000	0R6988 0R7087 0R7199 0R7202 1243031 1243034 1312427 1323651 1418935 1418938 1767716 1965949		

MAHLE Original	CATERPILLAR
127 TC 24162 000	0R6165 4P2059
127 TC 24163 000	0R6166 4P2060
127 TC 24164 000	0R7213
127 TC 24169 000	1106979
127 TC 24174 000	0R6376 155-5463 4P9584
127 TC 27057 000	0R5799 1P0035 1P9136 1W5210 4N6858 4N6859 4N9714
211-2351	2F7916 6H5646 7F5310 8H1993
211-2352	5F8365 5M5828 8H1994
211-2455	9L7682 9L9851
211-2456	9L7683 9L8377 9L9244
211-2489	7M7360 9M4163
211-2490	7M7358
211-2491	2476892 2W2621 5S6452 7S8809 7W1670 9N6117
211-2492	5S7232 7S6767 8N0875
211-2493	1085902 1152368 1W3859 2W2622 3848704 4N5374 4N5654
211-2494	1061111 1152367 1W3860 3848700 4N2271 4N5653 7N0940

MAHLE Original	CATERPILLAR
211-2494	7N1630 7N4580
211-2752	2476892 2W2621 5S6452 9N6117
211-2753	5S6449
211-3306	1007861 1487455 6N9916
211-3307	1196772 3848699 9N5125
211-3324	3119472 3N1141 4H9804 4N6883 6H3187 8H7097 8N3723
211-3339	1007860 2W2620 7N0572
211-3350	4F0213 6H3026
211-3353	4H9805 6H3186 7M7817
211-4166	1528380 1537023 2365605 3911106
211-4167	1085911 1527585 1537024 3911107
211-4193	3848705 6I1589 7W8064
211-4194	7C5215 7E9578
211-4281	1220321 3848698
212-1288	9L8243 9L9190 9N3387 9N3617
212-1289	9L9172
212-1386	9M5349
212-1387	9M5350
212-1393	4F5409
212-1395	5F3111
212-1398	2S5627 9H9164

MAHLE Original	CATERPILLAR
216-5234	3B1143
217-3283	4H0621
217-4063	2M6414 2M6415 4N3665 4N3666 4N3668 6N2236 9S9040 9S9140
217-4110	1185569 1227375
218-7805	1527582 1M8346 1W5283 4M0386 5M1889 8M1916 9S9699
218-7806	1M8384 4N5893 9M3205
218-7807	9L7622 9L8051 9L9641 9N2837
218-7808	2N8943 4F5619
223-1828	4M5489
223-1829	1S5164 7N9804 9H4016 9L2316
223-1830	8N1608
223-1831	3H6767 6F5251 7N9809 8F9284 9H4016
223-1832	3119432 4L3843 7N9810
223-1833	1M6101 7N9806
223-1835	1770450 2956438 7N9805 8M6487
223-1836	7N9803 9L8108 9L9889
223-1839	7N9807 8L3443
223-1840	1388506 4W7403

MAHLE Original	CATERPILLAR
223-1840	4W8484
223-1846	1687246 7E1749
223-1853	7C0115
223-1930	7C3901
223-1952	1807350 1979291 3512791
223-1962	1687224
223-1964	1013210 1687226
223-3568	1M6107
223-3569	8N0701 9L8382
223-3570	7M4925 8N2275
223-3571	4F5605 9F1848
223-3574	9H3984
223-3577	7N3230 8N0706
223-3580	2H1062 4M9183 6F3443
223-3585	8L3440 8N0705
223-3586	1S2353 4P8495 8N2018
223-3628	9N1354 9N5082
223-3643	8N1849
223-3695	2W0027
223-3697	1152972
223-3702	1608194
223-3703	4P7377 6I2726
223-3704	1608133 2285820 2296259
223-3705	7N4332 8L3440 8N0705
223-3706	3790196 8N1849
223-3707	7S9347 8N 0702
223-3708	8N1985
223-3709	7N3230 8N0706
223-3710	1181655 7C8609
223-3712	4194650

MAHLE Original	CATERPILLAR
223-3712	7W5844
223-5501	7M4926
223-5502	1S9543
223-5503	9H4015
223-5504	4F7021
223-5505	314853 6B2291 7M4926
223-5506	041704 067290 1G6917 1J6473 5E3014 7R6541 8N7294 8N8064 981242
223-5507	3F8513 5Y0372 7E5665 8N7295 8N8058
223-5508	0870324 8N7296
223-5511	7E1177
223-5516	7C0111
223-5531	2502940
223-5543	7X2908 812608
223-5547	1979372
223-7107	1C6448 3S3977 5P8789 7B2124
223-7115	5P9221
223-7124	3831576 5P8970
223-7132	3S3977
223-7146	5P8789 9L5854
223-7188	2W6134 3931024 5P8768 5S6670
223-7192	6V3774
223-7195	1609874
223-8015	6I4361
223-8016	9Y3368
223-8017	6I4362
223-8146	5P4173
224-2188.020	1W2070 1W5794 6N8903 9N5406

MAHLE Original	CATERPILLAR
224-2188X.020	1W2070 1W5794 2W8410 6N8903
224-2188X	1N3064 1N3227 1W5792 1W5793 2W4831 9N6337 9Y5559
224-2188	1N3064 1W5792 2W4831 8N5536 9N5405
224-2513.020	1W2071 2W8646
224-2513	1W5792 1W5793 2W4841
224-2568X	7E4729 9Y6773
224-2568	7E4729 9Y6773
224-2738.020	2W8646 7E4726(.020)
224-2738.040	2W8647 7E4726(.040)
224-2738	2W8265 7E4726
224-2786	9L6979 9L9319 9L9363
224-3022X	6N6642 7N5035 7N5036
224-3022	6N6642 7N5035 7N5036
224-3023X	7C3406 9Y1915 9Y9889
224-3023	7C3406 9Y1915 9Y9889
224-3026X	3S5501 7N4515
224-3026	3S5501 3S5502 7N4515
224-3028X	7E0539
224-3028	7E0539
224-3034X	1P0239 2P6270

MAHLE Original	CATERPILLAR
224-3034X	4N9258 7S6792 9N5250
224-3034	1P0239 2P6270 4N9258 7S6792 9N5250
224-3185X	7N1366
224-3185	7N1366
224-3189X	1H5605 1M3495 3R3194 3S4040 4M9110 4M9111 4M9112
224-3189	4M9111
224-3202X	2M5558 2M5559 3S4028 5M1784 7M8695
224-3228X	8H2000
224-3231X	3S1826
224-3231	3S1826
224-3235X	6N9647 7N7164 8N0931
224-3238	7E7310 9Y7212
224-3244X	1W8901 1W9372 2900017 7E8929 8N1605 8N1606
224-3244	1W8901 1W9372 2900017 7E8929 8N1605 8N1606
224-3245X	7E7310 9Y7212
224-3245	7E7310 9Y7212
224-3248	8N3184
224-3251X	9N5403
224-3258	5S2886
224-3265X	2W3189 4W4746 4W7402 7C2431 8N7808

MAHLE Original	CATERPILLAR
224-3265	2W3189 4W4746 4W7402 7C2431 8N7808
224-3268X	7C3496 7W3668 9Y3116
224-3268	7C3496 7W3668 9Y3116
224-3271X	4P2654
224-3271	4P2654 8L4066 8L4166
224-3274X.020	7W3846(.020) 7W3846020
224-3274X.040	7W3846(.040) 7W3846040
224-3274X	7C2553
224-3275X	7N0737 9L6053 9N2874
224-3275	7N0737 9L6053 9N2874
224-3291X	7E8700
224-3291	7E8700
224-3297X	1290358 1W6757
224-3297	1290358 1W6757
224-3298X	1010016
224-3298	1010016
224-3346X	1300241
224-3347X	1326663
224-3360X	4P2990
224-3360	4P2990
224-3361X	1051710
224-3361	1051710
224-3368X	1654262
224-3368	1654262 8N3102
224-3369X	2506564 4N4029 8N3182
224-3369	2506564 8N3182
224-3374X	1456744 1807352 1917854
224-3375X	1352837
224-3376X	1161372

MAHLE Original	CATERPILLAR
224-3376X	1337537 1495566
224-3377X	1765744 221-2305
224-3378X	7C2888
224-3392X	1014140
224-3392	1014140
224-3393X	6I4609 7C5957 7E7940
224-3393	6I4609 7C5957 7E7940
224-3394X	7W0552 9Y4124
224-3394	7W0552 9Y4124
224-3395X	1073565
224-3395	1073565
224-3396X	1548087 612650
224-3396	1548087 612650
224-3397	1807352
224-3400	7C2888
224-3586X	1568262 1684531 9Y8371
224-3586	1568262 1684531 1684531 9Y8371
224-3588X	7C9381 7E3888
224-3588	7C9381 7E3888
224-3635X	1807351 1917855
224-3636X	2250115
224-3636	2250115
224-3641X	2326557 2485514 2848983 3067460 3135534 3564787
224-3714X	107-7791 238-2716 4P1546
224-3748X	1646560
224-3749X.50MM	7E3428
224-3749X	7E3428
224-3750X	0R8717

MAHLE Original	CATERPILLAR
224-3750X	1168154
224-3751X	1601131
224-3764X	1723280
224-3791X	2382698
224-3794X.020	1871513 020 OVER 2382726 020 OVER
224-3794X	1871513 2382726
224-3803X	2629288
224-3804X	262-7330
225-2513.020	1W2071 2W8410
225-2513	1W5793 2W4831 2W4841 2W8265
225-2738.020	7E4729(.020)
225-2738.040	2W8647 7E4729(.040)
225-2738	2W8265 7E4729
226-1685	9S8704
226-1697	3S4031
226-1721	8N5760
226-1844	7W5105
226-1889	2W6091
226-1901	7W8922
226-1967	9S30638
226-1977	6I4609
226-2038	0R4178 1343761 1601131 7E5665 7W3550 8N1608
226-2042	0R8200 1609874 1723280 1979322 1W9460 2P2817 7E5665 7N7078 8N1608
226-2048	0R9942 1326663 1609874 1687246 1765749 1777496 1807351 1899771 1979322 7E1177

MAHLE Original	CATERPILLAR
226-2049	1326663 1609874 1687246 1765749 1899771 1979322 2250115 2257010 7E1177
226-2054	10R6125 10R9923 20R0744
226-2057	1343761 1609874 7E5665 7N7078 8N1608
226-4465X	2B3712 3H3475 3H6015 5F6710 6N2842 6N5398 8B0375 8F8571 8N5676
226-4465	2B3712 3H3475 3H6015 5F6710 6N2842 6N5398 8B0375 8F8571 8N5676
226-4487	9N6275
226-4493X	1105800 2P8889 5S6346 6N8052 8S2669 9S6557
226-4493	1105800 2P8889 5S6346 8S2669 9S6557
226-4505X	1S1160 1S2587 3148531 4H8625 5M8256 7N5681 8N9174
226-4505	1S1160 1S2587 3148531

MAHLE Original	CATERPILLAR
226-4505	4H8625 5M8256 7N5681 8N9174
226-4506X	1979322 1W6280 2W6000 4N1627 7N0943 7W3550
226-4506	1979322 1W6280 2W6000 4N1627 7N0943 7W3550
226-4510	7W2293
226-4518X	3S1850 8S2240 9H5874
226-4518	3S1850 8S2240 9H5874
226-4532X	3H6014 4F6486 8F8570
226-4532	3H6014 4F6486 8F8570
226-4542X	1238206 8N6861
226-4542	1238206 8N6861
226-4557X	1106993 1189494 2117826
226-4579	7C6208
226-4617X	1979322
229-1848	1W5060 2W7980 6N5673
229-2189	7C3862 8N4111 9Y1723
247-5007	0R1100 0R1210 0R1211 0R4189 0R5052 0R5163 2W0085 9N0300 9N0303 9N6220 9N6221

MAHLE Original	CATERPILLAR
247-5026	0R1218 1W6207 2W2300 2W2585 7C4859
247-5050	0R1238 2W7458 4N7693
247-5067	0R1237 4N7692
247-5103	0R2546 0R5164 1W9771
247-5136	8M4505
247-5146	0R3972 6I1453
247-5147	0R2657 1W5009
247-5150	0R2812 2619648
247-5151	0R2525 1W6213
247-5203	0R2806 1051725 4W3498
247-5216	9L6266 9L9232 9N8013
247-5217	0R1213 0R1237 0R1239 0R5167 2W7960 4N7692 4N7694 5S5252
247-5218	0R1215 0R1217 0R2522 0R5173 2423439 2W7458 4N7693 4N7696 4W7693 7N7696 9Y4517
247-5219	0R1218 0R1219 0R2523 0R5028 1W6207 2W2300 2W2585 2W7458 7C3536

MAHLE Original	CATERPILLAR
247-5219	7C4859
247-5222	0R2539 0R7771 1533928
247-5227	0R8502 10R2317 1527625
247-5231	0R9906 1601799
247-5232	0R2235 1608147 2611544
247-5233	10R3075 2219362 3133996
247-5234	10R2110 2219364 2388373 3133997
247-5235	0R4742 1253005 5I7671
46818	2D8540 3H1590 3K9121 7F9214 8S7928
47243	2H5076 3D5323 4F4584 6L5124
49113	005764 1B2418 1K7983 512830 644119 9H2258
49276	029114 1D4901 2B6209 2H3852 3K6152 3K6256 640042
49353	5P0091 7K9201 8H8969 9D6581
49450	3L0642 3N4987
49575	012981 1506739 1672452 1H2265 2313539 2S2376 3081880

MAHLE Original	CATERPILLAR
49575	3B3888 4J8980 8C9132
49727	4B4529
54100	3775838 4P8915
54151	2W1672 3801548 4W0045 6N8505 7C1599 7W2059 9L8865 9L9120 9L9164
54154	2W7983 6I3066 7E3240 7E6000 7N0626 9Y7786
54156	1077832 4P6930
54163	1118015 2794977 7E6167 7N7999
54214	1539653 2066954 6I4420
54215	6I4689 7W9955
54218	7N7386
54225	1W6440
54235	3807386 5S6281 6N7263
54643	2245122
67645	3256191 4W0452
67656	1425868 2W1734 4P2734
67741	1425867 2W1733 4P1724 4P2733
67767	5S6296 9Y9895
67779	7W6130
67821	1W2556 3256192 6N8853 7C4297 9S3038

MAHLE Original	CATERPILLAR
67948	1154120 2223910 7E7589
67949	1192921 2457339 7C4163
67950	4R8831
67956	1154109 2223909 7C3570 7C3571 7C7980
72011	062999 0774214 1548315 4J3955 5E3200 5F9144 614325 619705 651162 6C5759 6F0634 774197 775282 781930 7R3402 7R7211 7X5368 894957 8S3911
72012	062677 067622 0A4110 1273286 1591639 1H1023 2H2836 2R2668 3D5923 4F1466 536959 773777 775094 778246 778343 785391 7X5430 814024 821694 821737 870356 8C7439 8U2089
72112	016249 091392 0981144

MAHLE Original	CATERPILLAR
72112	0A4144 1002103 311178 5E3268 616378 773469 785392 7X7140 818414 894975 8F9206 8T8543 983621 993191
72113	8M4437 8T7161
72114	8F3469 8M4437
72115	055759 060839 4F5017 4N0223 607168 614335 627384 6F6672 6F9159 781941 7F6732 7R7174 894975 894995 8F6960 8T7228
72116	015083 044556 066247 0983184 1193434 618316 627384 773323 773636 777564 781942 7F8607 821702 861648 894957 894975 8C8061 8T7271 8U5071
72117	0775902 082102 1M8317 2308917 4M8303

MAHLE Original	CATERPILLAR
72117	774752 780982 781946 8T7220 9L8420
72121	1195155
72212	012783 044731 055735 2R2664 3H0107 5E3290 629540 777428 781950 894957 8T8101
72214	007345 0A4605 5E0821 5F1678 777503 779869 781955 7X5361 813617 894975 895792
72216	043919 045005 053561 056504 064919 065062 0773919 1272492 1C3804 2312782 2353571 2H3932 306805 3D2824 3K6850 5E0845 5E3337 5E3566 773175 781959 7X5427 8F0021 8F1763 8T7301 8U0222 951761 952720
72217	058547 1990658 4F9029



MAHLE Original	CATERPILLAR
72217	781962 8T7286
72218	0773822 1593993 2C1865 2D0596 5E2517 5E8950 6F6673 780735 781964 8T7258 9N7439
72219	081756 1448984 1759464 5D1569 5W1784 814207 8C0362 8F3470 8T7257 8T8479
72221	0965992 5F9657 781969 8T7281
72222	007672 055758 0779911 0A4601 2D1519 2R2658 3D5909 4F7952 5D1478 773297 773846 774718 781973 821630 894975 8T7320
72224	019677 1H9696 2R2663 5E2745 5W4838 781979 7X5506 870927 894994 8T7314
72226	034566 307700 5E2818 5F8000

MAHLE Original	CATERPILLAR
72226	5H9836 781985 8T7259
72230	033343 1H5728 1J2177 2807038 3F3433 5D3752 5E8614 773399 781991 7U6879 8T8086 8U1375 937058 951746 9S1746
72232	009697 0775900 1H0133 2U5321 5E3260 5E9965 5H8848 616343 627197 6E5529 775546 778966 7R0097 894995 8T7246 8U0219 9N7728
72234	038109 038761 039857 0546853 1851608 1G8458 1H6203 1H7339 2030265 2U5322 5H6497 773835 779927 781995 7R7148 813463 8C7432 8T7251 922301 951747 9W4959
72326	1118065 1W1039

MAHLE Original	CATERPILLAR
72326	2H3927 781977 870921 8T7217
72327	2S2251 4F8824 787215 792099 8S4190 8T7142
72329	2H3088 2H6472 5K5959
72330	4F7390
72335	7F2122
72336	5F3092
72340	8H2046
B45886	6N7174
B45898	1193036 4P7750 9Y8847
B45957	1478214
B45978	1026229 1632478
B46016	7W9143
CB-1215P-10	6N9837 9N1035 9N5920
CB-1215P-20	6N9838 9N1034 9N5921
CB-1215P	4W8090 7E7894 9N2601 9N397 9N5790
CB-1232AL	1W8539 6N6991 8N5621
CB-1233AL	4W5695 6N9968 8N5951
CB-1262AL-25	4W5702 6N4166 8N5427
CB-1262AL-50	4W5703 6N4167 8N5428
CB-1262AL	1W7524 6N3908 6N7436 8N5426 9N6321 9Y9497
CB-1599P-10	1N3821

MAHLE Original	CATERPILLAR
CB-1599P-20	1N3822
CB-1599P	8N6308
CB-1620P-.25MM	7C6976
CB-1620P-.50MM	7C6977
CB-1620P	2246638 7W-9415
CB-1621P-25	1077331 7E7998
CB-1621P	1077330 1W7538 7E7997 7N2394
CB-1622P-25	7E0558
CB-1622P-50	7E0559
CB-1622P	9Y7735
CB-1931P-.50MM	1280395
CB-1931P	1161089 2920484
CB-1932P-.25MM	2822478
CB-1932P	2133190
CB-1933P-25	2323235
CB-1933P	2243246
CB-1941P-.50MM	1280390
CB-1941P	1193782 2170577
CB-400AL-30	4F8380 9F3643 9F8581
CB-619AL-10	2S0502 8N8221
CB-619AL-20	1C6322 2S0503 8N8222
CB-619AL-30	2M8205 4L4941 7M7826 8N8223
CB-619AL	1C6344 3342669 4L9855 4N6258 4W5739 7M7821 8N2219 8N8219 8N8220 9H3987
CB-694AL-25	5S316 7M3677 7N1363 8N5339
CB-694AL	3S3285 4M8196 6N8760

MAHLE Original	CATERPILLAR
CB-694AL	7S9347 7W2136 8N5337
CB-778AL-25	1N4337 5H5993 9M4871
CB-778AL-50	1N4338 5H5992 9M4876
CB-778AL	1N4336 4H9884 7N8757 9M3892
CB-817AL-10	2M6499(.010) 2M6499(.010)
CB-817AL-25	2H2448 2H6500 2M6500 4H5508
CB-817AL-75	2M6499(.075) 2M6499(.075)
CB-817AL	2F2359 2M6499 4H5507 4H7612 5B1567 5B1568 5B4362 5B8750 5B8751 5F2910 6B6459 6B6477 6B7199 6F1945 7B309 7B310 7B4141 7B4142 7B7141 7B7142 7B7196 7H6704
CB-964AL-25	4S9276 8N7934
CB-964AL-50	4S9277 8N7935
CB-964AL	4S6834 8N7933
CB-970AL-25	6N6231 8N7770
CB-970AL-50	5L4195 6L7844 8N7771
CB-970AL	4L3763 6L7841

MAHLE Original	CATERPILLAR
CB-970AL	8N7769
CB-972P-10	9L7788 9N3053 9N5924
CB-972P-20	9L7789 9N3052 9N5925
CB-972P	9L7651 9L8363 9L9324 9N3050 9N5923
CS4930A	1873252 5P9564
CS4930	1873255 6V5975 8C6715
CS54100-2	6V0605
CS54100-3	3935197 8T9486
CS54100-4	6V4778 8C8432
CS54100-5	1208883 1417274 1417953 4181951
CS54100-6	5P9415
CS54100-7	6V0607
CS54151-2	5P9970
CS54151-7	8C6882
CS54154-11	1096928
CS54154-12	1177900
CS54154-13	1414117 8T6930
CS54154-14	8C4455
CS54154-15	1104899
CS54154-16	1294498
CS54154-2	3E4328
CS54154-4	3911092 6V9221
CS54154-5	9X6473
CS54154-6	3E4326
CS54154-7	5P8108
CS54163-1	1208997 1343037 1363686 1366942 1369326 1402245 1410280 1417445 1419305 1428128 1433778

MAHLE Original	CATERPILLAR
CS54163-1	1475544 1476171 1491189 1493955 1493972 1494914 1498301 1500330 1515837 1627554 1870605 3825055 3925441 6V8024 7X2617 7X7917
CS54163-2	5P8767
CS54163-3	5P9099
CS54163-4	1409043 1420403 1437702 1463110 1465750 1465809 1498374 1554265 1592977 1873255 6V5975 6V8027 8C6715 8C6716
CS54163-5	6V2514
CS54163-6	3925540 6V8023
CS54163-7	3918604 8T7039
CS54192	2664325 2U2623 7X2521
CS54214-11	1535527 1572849
CS54214-1	1165885 1248899
CS54214-2	1309035
CS54214-3	1429672
CS54214-4	1803446
CS54214-5	1321195 1596080 1630054 2144150
CS54214-6	1159462
CS54214-7	1190957
CS54214-8	1127990 1248898

MAHLE Original	CATERPILLAR
CS54214-9	1209328
CS54643-1	1905978 2138113 2572756 3211415
CS54643-2	2969949
CS54643-3	061-7540 0619457 1069586 1090072 1090078 114-2687 1185068 121-0145 1367227 1J9671 2M9780 2P3760 2P4305 3K0360 3P0650 4F7390 4N0699 4N3661 5P7701 6V5048 6V5049 6V5266 6V6228 6V8398 7C0307 7L3386 7M8485 8C0624 8C5230 8J4351 8L2786 8M4986
CS54841-1	2974835 2978934 3259639 3341066
CS54841-2	2975406 3086327 3087214 3259469
CS54841-3	3125776 3189645
EK0102VR	1412222 2193501 2221177 2902060 8C5704
EK0202	2266070 2310649
EK3529	2682932

MAHLE Original	CATERPILLAR
EK3530	2646898
EK3531	6V0602 6V0603
EK3532	2348020 6V2209 6V2523
EK3533VR	1464229 2339474 4N1151 7X7657
EK3534VR	2326652 4N1151 5P8053
EK3535VR	2161252 4N1151
EK3536	2144150 2486740
EK3537	1685248 2486744 2533442 2572754 2969934 3211418
EK3538	2486744 2533442 2572754 2969934 3164810 3211418
FS4966A	2341874
GS27706	3S9643
GS33506	5P2060 7W4487 8L2779 8T0659 9L9098
GS33507	1662903 1662904 9X7430
GS33521	1895390 2481394
GS33635	1891814
GS33636	305-6220
GS33655	2974829 3085804 3132169 3259470 3451909
GS33657	1698598 2974841
GS33658	2634016 2730302
GS33660	2690064 3125932
GS33666	3184328

MAHLE Original	CATERPILLAR	MAHLE Original	CATERPILLAR	MAHLE Original	CATERPILLAR
GS33666	3184348 3189648 3255171	HS54154-17	1381915 2193501	HS54163-7	3920166 6V4705 6V4784
HS4966	6V2531	HS54154-18	1412222 1415507 1560936 1560937	HS54163-8	2347988 3872925 3E8898
HS54100-3	6V0603	HS54154-1	2266070 3E3350	HS54163-9	3872918 6V2526 6V2527 6V2528
HS54100-4	6V0602 6V0603	HS54154-2	2326652 5P8053 6V9890	HS54192-1	1002952 2682932
HS54100-6	8T1606	HS54154-3	2326652 6V9890	HS54192-2	1002951 1002952 2682932 2812813 3872921 3E3340
HS541007	2348013 6V7457	HS54154-4	1113359 1416306 1606686 2902060 3931027 4380149 7X2632 8C5704	HS54192-3	2646898 3825069 3E3325
HS54101-1	5S4049	HS54154-6	1569232 2339474 8T6677	HS54192-6	7X2829
HS54102	5P8873	HS54154-7	1464229 2339474 9X8319	HS54214-1	1127995 1182980 1353449 1358810 1449542 1572705 1891944 2161252 3683008
HS54103-1	9S7683	HS54154-8	7X7657	HS54214-2	1891949 1895389 2144256 2188569 2281630 2486740
HS54104-1	1P5352	HS54154-9	5P8366	HS54218-1	5P9414
HS54104-2	3E9893 5P3249 5P3250	HS54155-1	1891946 5P8052	HS54218-3	3911091 6V0260 6V0600 6V2246
HS54104	9S0558	HS54155-3	1891946 5P8365	HS54235-2	5P1988 5P9098 6V0712
HS54109-1	8M3770	HS54156-1	1002953	HS54235-3	6V0715
HS54109-2	2P6465	HS54163-11	1293329 1551381 3825070 3918256 3E7471	HS54515	1030081 1564173 1873615 2400205
HS54109-3	1P1903	HS54163-12	1406143 1475474 1551379 3863815 3924479 8T6955	HS54643-1	1299452 1384611 2486744
HS54109-4	5P6927	HS54163-1	1551380 8C8805 9X2518	HS54643-2	2533442 3164810
HS54109-5	5P7092	HS54163-2	9X2224		
HS54109-6	5P6931	HS54163-3	8T1622		
HS54109	2P6463	HS54163-4	2348021 6V8902		
HS54139-11	6V7266	HS54163-5	6V2525		
HS54139-1	6V5417	HS54163-7	2348002 2348008		
HS54139-2	6V5416				
HS54139-3	7S2718				
HS54139-4	6V5462				
HS54139-5	6V5456				
HS54139-7	6V3750				
HS54151-1	2347998 6V3785				
HS54151-2	8C7572 8T3383				
HS54151-3	2429834 7X7884				
HS54151-51	7X2403				
HS54151-52	7X2404				
HS54151-53	7X2408				
HS54151-5	2429837 8C4442				
HS54151-6	2429835 8C4440				
HS54151-7	8C4438				
HS54154-12	6V6403				
HS54154-15	1104900 2310649				
HS54154-17	1208902 1271476				

MAHLE Original	CATERPILLAR
HS54643-3	2572754
HS54643-4	2969934 3211418 3953837
HS54643-6	1299452 2486744
HS54643-7	2533442 3164810
HS54841-1	308-5931 308-6320 3086346
HS54841-2	3205170 3259472 3313950
HS54841-3	287-8787 297-4830 297-5350 298-2111
HS54841-4	3085691 3184327 3312891
HX 78	1R0722 1U2096 9J0750 9J5461 9J750 9Y4523
HX 79	1R0720 1R0741 1U2094 2H1560 2J1360 2J1560 2J1660 2J6135 3K6727 4J0806 4J6064 4J6068 4J806 5H6174 5J6174 5J9174 830262A 9W6428 S30262A
JV1672	1609367 2326574 6V8608 7X2863
JV1674	2322922 8C5799
JV1686	1383069
JV1698	1127994 1177094 1228906

MAHLE Original	CATERPILLAR
JV1698	1361115 1450311 1625231 1627123 1635637 1717264 2144240 2323679
JV1700	2024973 2226726 2341877 3211417
JV1701	1555619 2519351 2853200
JV1706	1452262 5P9570 6V2982
JV1707	5P9571 6V2983
JV1708	6V5976
JV1710	2801470 8T7065
JV1711	6V0896 6V2921 8C8745
JV1712	3936199 6V1680 8T2466
JV1713	1417278 1498303 6V1659 8C8741
JV1714	6V1336 6V2552 8C8744
JV1731	2900528 2919157
JV1732	2023253 2243871 2305003 2908676
JV5047	1018643
JV5049	1138207 1176527 1177096 1178747 1183798 1243008 1269507 1290431 1290434 1321404 1350233 1361114 1381988

MAHLE Original	CATERPILLAR
JV5049	1386741 1409031 1422216 1436304 1458991 1496026 1513025 1540170 1570625 1571376 1625291 1895136 2039188 2341874 3E6292 6V9222 6V9907 7X2862 8C4457 8C8480 9X6288 9X6573
JV5089	1127992 1190905 1252428 1269506 1290433 1290435 1332271 1423320 1895135 2341866
JV5093	1439609 1582389 1583155 1599600 1655145 1774347 1895133 2336984
JV5104	2341633
JV5105	2192889 2341904 3211416
JV5106	2390998
JV5107	2533435 2969852 3483681
JV5115	1402246 3833710 3918229
JV5116	5P9100
JV5117	3918229 6V1658
JV5118	5P8769 6V4763

MAHLE Original	CATERPILLAR	MAHLE Original	CATERPILLAR	MAHLE Original	CATERPILLAR	
JV5118	6V7460	KC 28	1R0511	MB-2580AL-30	4S8885	
JV5120	1208998		1R0711		7M9288	
	3918229		1R0740		8N8227	
JV5121	1387720		1R740		8S3985	
	3925434		1W8633		MB-2580AL	1C6327
	6V5978		3I1143			2323233
	9X8567		3I1144			3769085
JV5122	6V1549		5A6717			3769085C
	6V2509		6L7440			3S9730
JV5123	6V2466		6N3784			4W5738
JV5124	3918229		777261			7M9287
	7X2833		7C3638			8N 8224
JV5125	3833704	8M4776	8N8225			
	3925434	9X4402	8S3982			
	8T1607	9Y4402	9H2739			
	8T9485	9Y4403	MB-2580W	6N8940		
JV5126	6V0611	KC 430D		1290373		
JV5127	3880661		1335671	MB-2581AL-10	2S505	
	3918229	1335673	7S9844			
	6V4785	KC 6	5W3394	MB-2581AL-20	2S507	
JV5128	1387720		814662		7S9845	
	3925434	9Y4421	MB-2581AL-30	2S7424		
	6V2501	9Y4516		4M277		
	8C5051	KX 23		4S8886		
	8T9845			0676987	7M9289	
	8X5051			3I1341	7S9846	
	9X8563			5W6081	MB-2581AL	1M5295
JV5147	5P9416		676987	7M9286		
JV5148	3918229		8T7477	7S9439		
	3933625	971357	MB-2585AL-25	4S9396		
	5P9568	9Y4430		8N7924		
JV5164	2974828	KX 24	2W3236	MB-2597AL-25	6N6230	
	2975348	LX 2575	3I1035		8N7765	
	2975867	MB-2279AL-25	7M3632	MB-2597AL	2N7048	
	2976163		7N1438		4L4647	
	2976380	8N5346	MB-2279AL-50	8N7764		
	2978786	7M3528		7N1437		
	2982108	8N5347	MB-2580AL-10	MB-2597W	4L4653	
	2982733	2S0504			3148652	
	3077923	3148652C	4S8881	MB-2733P-10	8N8976	
	3085802	4S8881	8N8225		9N3055	
	3085822	8N8225	8S3983	MB-2733P-20	8N8972	
	3133512	8S3983	MB-2580AL-20		9N3054	
	3133975	2S0506		2S0506	MB-2733P-30	4W8093(.030)
	3134422	2S5207	2S5207	MB-2733P		1W0312
	3189647	3769081	3769081		4W8093	
	3291383	3769081C	3769081C		6N8745	
JV5165	2974827	4S8883	4S8883		6N8749	
	3125775	7S9845	7S9845		7N3782	
	3255169	8N8226	8N8226		9N302	
KC 227	1006374	8S3984	8S3984		9N5793	
	1174089	MB-2580AL-30	2M8161	MB-2734P-10	8N9022	
	1383100		2S2743		9L7950	
	1383100	2S7423	2S7423		9L7984	
KC 28	1A3479	3769082	3769082		9N3059	
	1P2299	3769082C	3769082C		9N5283	
	1P2999			MB-2734P-20	8N9023	
					9L7785	

MAHLE Original	CATERPILLAR
MB-2734P-20	9L7952 9L7985 9N3060
MB-2734P-30	4W8092(.030)
MB-2734P	1W0311 4W8092 6N8746 7N3783 8N730 9L5792 9L7128 9L7945 9L8338 9N5792
MB-2735P-10	8N9065 9L7786 9L7951 9N3058
MB-2735P-20	8N9064 9L7787 9L953 9N3047
MB-2735P	4W8091 6N8747 8N731 9L7946 9L9413 9N5791
MB-2736P	8N8929 9N1030 9N1036 9N3070 9N5291
MB-2848AL-25	4W5698 6N4168 7N1192 8N5422
MB-2848AL-50	4W5699 6N4170 7N1194 8N5423
MB-2848AL	1175975 1N3542 1W6589 2170390 4W5492 6N3909 6N8743 8N5421
MB-2930P	8N9067
MB-3057W	9S3037
MB-3414P-10	1W1665
MB-3414P	1W0311
MB-3415P-10	1W1661
MB-3415P	1W0312

MAHLE Original	CATERPILLAR
MB-3448W	2531752 7E9262
MB-3451W	1003652 7N9342
MB-3454P	1011530 7W9417
MB-3455P	1014543 1077708 4196381 7W9414
MB-3466P	1050253 1496031
MB-3466W	2W0646 7C6209
MB-3975P-.50MM	1280382
MB-3975P	2110588
MB-3976P-.50MM	1280400
MB-3976P	2110587
MB-3977P-.25MM	2821771
MB-3977P	1512939
MS-1048AL-25	4S9338 4S9388 8N7924 8N7929
MS-1048AL	4S9387 8N7923 8N7928
MS-1049AL-25	4S9392
MS-1049AL	4S9390 8N7923 8N7928
MS-1058AL	8N7764
MS-1059AL	8N7764
MS-1069AL-25	8N7765
MS-1069AL	8N7764
MS-1113AL-10	8N8225 8S3979
MS-1113AL-20	8N8226 8S3980
MS-1113AL-30	8N8227 8S3981
MS-1113AL-50	2323233(.050) 2323233.050
MS-1113AL	2323233 8S3978
MS-1114AL-10	8N8225
MS-1114AL-20	8N8226
MS-1114AL-30	8N8227
MS-1114AL-50	2323233(.050) 2323233.050
MS-1114AL	2323233
MS-1420P-10	8N8976 8N9022

MAHLE Original	CATERPILLAR
MS-1420P-10	8N9065
MS-1420P-20	8N8972 8N9023 8N9064
MS-1420P-30	4W8091(.030) 4W8092(.030) 4W8093(.030)
MS-1420P	4W8091 4W8092 4W8093
MS-1421P-10	8N9022 8N9065
MS-1421P-20	8N9023 8N9064
MS-1421P-30	4W8091(.030) 4W8092(.030)
MS-1421P	4W8091 4W8092
MS-1422P-10	4W9022 4W9065 8N8926
MS-1422P-20	4W9023 4W9064 8N8931
MS-1422P-30	4W8091(.030) 4W8092(.030) 8N8929(.030)
MS-1422P	4W8091 4W8092 8N8929
MS-1592P-20	8N9019 8N9068
MS-1592P	8N9021 8N9067
MS-1593P-20	8N8971 8N9019 8N9068
MS-1593P	8N8973 8N9021 8N9067
MS-1594P-20	8N8930 8N9019 8N9068
MS-1594P	8N8928 8N9021 8N9067
MS-2000P-10	1W1655 1W1661
MS-2000P	1003652 1W0311 1W0312 1W0312(3)1W0311(2)
MS-2020P-10	8N8976 8N9022

MAHLE Original	CATERPILLAR
MS-2020P-20	8N8972 8N9023
MS-2020P-30	4W8092(.030) 4W8093(.030)
MS-2020P	4W8092 4W8093
MS-2219P	1969519
MS-957AL-10	2S508 7S9844 8N8225
MS-957AL-20	2S511 7S9845 8N8226
MS-957AL	2323233 5M7469 7M9290 7S9439
MS-958AL-10	2S509 7S9844 7S9862 8N8225
MS-958AL-20	2S510 7S9845 7S9863 8N8226
MS-958AL-30	2S7426 5M7468 7M9293 7S9846 7S9864 8N8227
MS-958AL	2323233 4W5738 5M7470 7M9291 7S9439 7S9843
MS19373	9L8027
MS19416	1299452 7N8175 9Y4582
MS19417	1384611
MS19528	2629103 2818261
MS19855	2721956
MS19856	1443472
OC 1001	3I1376
OC 103	9Y4450
OC 114	3I1099 9Y4452
OC 121	2Y8096 3Y0900 3Y0900X 3Y900 3Y900X

MAHLE Original	CATERPILLAR
OC 138	1N4402
OC 230	9Y4491 9Y4512
OC 23	9Y4487
OC 25	9Y4492
OC 26	5W5887 9N5860 9Y4474
OC 282	1W8845 7C4228 9Y4468
OC 330	9Y4494
OC 338	9Y4493
OC 33	812684 9Y4488
OC 370	1R0658 1R0739 1W3300 2P4004 5P1119
OC 37	7W2327 7W6221 9Y4479
OC 42	5C1791 7W2326 9Y4458
OC 47 OF	9Y4510
OC 47	9Y4510
OC 484	1R0716 1W2660 2P4005 2Y8097 4W6000 7W5497 8T7452
OC 501	9Y4487
OC 67	3I1081 694229 694229E 9Y4449
OC 706	3I1081 694229 694229E 9Y4449
OC 707	9Y4449
OC 713	9Y4506
OC 715	9Y4454
OC 81	9Y4455
OC 981	9Y4459 9Y4507
OS32166	129-0357 1694200 4M2969 5C9858

MAHLE Original	CATERPILLAR
OS32178	9L8016
OS32183	4N1151 4N3661 6N1396
OS32208	1694200 4M2969
OS32216	1136065 1154202 2613816 7W8860
OS32224	1694199 8S1965
OS32274	4338194
OS32300	1685248
OS32412	1662905
OS32500A	4N1151
OX 79D	9Y4499
OX 80	9Y4486 9Y4497 A28741
S40538	1W5105 1W6055 3119446 3S4061 4S7424 5H4344 7M5564 9H1224 9S8973
S40574	3S4029 4M8165 9S8704
S40963	1P0241 2P9630 7S8378 7S9404 9S3068
S41159	1P1127 4N5619 8N0822
S41287	1N3601 1W5061 4N5619 6N7344
S41329	6N5026 6N5536 8N5760
S41394	1P0241 2P2630 2W1707 2W1709 7S9404 9L6935
S41542.020	2W8646 2W8646(3R)(KS)

MAHLE Original	CATERPILLAR
S41542.040	2W8647 2W8647(3R)(KS)
S41542	2W8265(3R)(KS)
S41653	2W6091
S41670	5S7570 7E6047
S41685.020	2W8646 2W8646(3R)(RECT)
S41685.040	2W8647 2W8647(3R)(RECT)
S41685	2W8265
S41771	7E5213
S41772	7E5214
S41822	3S4031
S41832	1N3967
S41841	4P2656 4P2657 4P2658
S41846	1W8922
S41883.020	2W8646
S41883	2W8265 9L9612 9N0875 9N875
S41890	1W8922 1W8922GA
S41908	7C8939 7W6952 9S2263
S41927	1765749 1777496 1899771
S41942	2114321
S41943	1343761 1765749 1899771
S42054	1006694 1006695 6I0497
S42074	7E2899
S42085	1006694 1006695 6I0497
S42139	5S6750 6I0497 9S3029
S42181	1765749 1899771 2257010
S42223	2370194 2380294 2384737
S70583	9H1401

MAHLE Original	CATERPILLAR
SH-1245S	9N5246
SH-1245	9L8072 9N5246
SH-1487	4N0685
SH-1488	4N6658
SH-1761	7N2048
SH-1762S	7F8294 7F8295
SH-1764S	2165586 2W7211 2W7213
SH-1765S	2165586 2W7211 2W7213
SH-1979	1345251 2165582
SH-2166	2165583
SH-2167	2165584
SH-2168	2165585
SH-2169	7N2048
SH-2170	7M4046 8H9654
SH-2171	9M5477
SH-2172	3775833
SH-2173	3256032
SH-2174	20 3580 5
SH-2175	20 3609 0
SH-2176	21 6558 6 2165586 2W7211
SH-2177	1161359
SH-2178S	1W5920 7F8294 7F8295 9N5246
SH-2180	1878969
SH-2186	3790191 4N0685
SH-2187	3731885 4N6658
TW-226S	4L4653
TW-252S	1P7960 2P0716 3S7774 6N4129 6N8940
TW-409S	9S3037
TW-583S	1W5252 2351752 7E9262 7N8947
TW-693S	1003652 7N9342

MAHLE Original	CATERPILLAR
TW-701S	2463144
TW-702S	2463150
VS50315	1331247 8S1605
VS50445	1497378 2429537
VS50464	1497378 2429537 5P5678 5P5678 9X7317 9X7418 9X7419
VS50471	1497378 2429537 2720390
VS50518	5P5678 5P5678 3 METER
VS50626	2720388
VS50630	2444486 3044924
VS50631	2175701

CUMMINS	MAHLE	CUMMINS	MAHLE	CUMMINS	MAHLE
100130	OX 80	148920	224-3220	189772	CB-1073P-20
100328	72219	148960	224-3220	190849	GS30376
100478	72012	149651	VS38793TC	191970	223-1826
101109	247-5068	151068	217-3210	193736	GS33337
104038	47243	151850	224-1538	194840	247-5002
104240	224-3220	154709	KC 28	195000	218-7800
10521	OC 320	154710	KC 28	195230	CB-625P
107441	CB-470P-10	154711	KC 28	195231	CB-625P-10
107442	CB-470P-20	154744	KC 28	195232	CB-625P-20
107741	CB-470P-10	154946	217-3289	195233	CB-625P-30
107742	CB-470P-20	156171	KC 28	195240	247-5066
109080	72214 GS33613	156172	KC 28	195360	223-3564
1111765	226-1847	156641	B45977	196949	OS21794
113470	224-3220	157280	TW-369S	200600	CB-965P
113985	46773	157281	TW-369S+10	200601	CB-965P-10
116450	224-3220	157551	OS21996	200602	CB-965P-20
123659	211-1945	157620	CB-1631P CB-971P	200680	224-3220
126050	224-3027	157621	CB-1631P-10	200710	224-3027
127730	CB-470P	157622	CB-1631P-20	200750	224-3220
127731	CB-470P-10	157623	CB-1631P-30	200800	224-2124
127732	CB-470P-20	159960	TW-449S	201950	247-5003
129860	229-1923	160603	47243	202227	223-8133
129990	224-3027	162097	OC 23	202893	KC 28
130370	224-3027	166630	224-3269	203170	226-4456
130500	224-3208	169630	216-1141	203260	CB-986P
130653	MS12242X	173640	TW-448S	203660	CB-625P
131026	72011	174213	217-3916	203661	CB-625P-10
132977	MS12242X	176927	47543	203662	CB-625P-20
134736	72112	178788	OS21996	203663	CB-625P-30
135600	GS27706	179800	CB-1631P CB-971P	203670	CB-296P
135612	B45977	180070	CB-965P	203671	CB-296P-10
136470	224-3027	180071	CB-965P-10	203672	CB-296P-20
138937	217-3210	180072	CB-965P-20	203673	CB-296P-30
139620	CB-625P	181449	223-7142	203674	CB-296P-40
139621	CB-625P-10	182020	226-4419	204829	46773
139622	CB-625P-20	182200	MB-2598P	205840	CB-1357P
139623	CB-625P-30	182210	MB-2599P	205841	CB-1357P-10
141743	47543	182320	MB-2598P	205842	CB-1357P-20
141744	46773	182400	MB-2599P	206515	211-3311
142234	MS12242X	183049	223-7077	20667	224-3220
145101	TW-369S+10	184400	226-4419	207241	211-3343
145504	72018	185747	49276	208069	47543
145527	72114	186780	GS27706	210130	226-4414
145577	72219	187420	223-3545	210360	224-2091
145701	211-1945	187589	VS28794	21122	224-3220
147967	217-3916	187863	47543	211255	47542
148459	OC 23	189770	CB-1073P	212020	224-2091
148910	224-3220	189771	CB-1073P-10	212161	72217 GS33613

CUMMINS	MAHLE
212224	3934
212227	47543
213740	226-4414
214420	MB-2598P
214430	MB-2598P
214440	MB-2599P
214450	MB-2599P
214950	CB-1226P
214951	CB-1226P-10
214952	CB-1226P-20
214953	CB-1226P-30
214954	CB-1226P-40
215090	223-7158
215445	46773
215705	JV5075
21582	224-3220
215983	223-7142
2168	223-7142
216879	223-7142
252811	KC 28
2768263	286 TC 21201 000
2830444	MS19741
2830704	54556
2830705	54556A
2830977	D32483
2835911	286 TC 21101 100 286 TS 21101 100
2837647	286 TC 21101 100 286 TS 21101 100
2839682	286 TC 21101 100 286 TS 21101 100
2842411	286 TC 21201 000
2843886	286 TC 21201 000
2843887	286 TC 21201 000
2864080	54146
2881682	S42153
2881993	286 TC 21201 000
3000140	247-5001
3000521	72212
3001559	183 TC 24562 000
3002834	SH-2165
3004316	47542 JV5075
3005357	247-5220
3005984	226-4544
3006456	217-3916
3006736	JV5075
3006737	48068 JV1689
3007225	211-3311

CUMMINS	MAHLE
3007525	226-4544
3009999	VS38793TC
3010157	72217
3010457	47543
3010937	72112
3011076	223-7183
3011885	226-4544
3012360	CB-1631P CB-971P
3012361	CB-1631P-10
3012362	CB-1631P-20
30123623	CB-1631P-30
3014149	S41888
3014459	CS5858-13
3014668	223-7183
3015273	601-8035
3016453	VS38793TC
3016760	CB-1382P
3016761	CB-1382P-.25MM
3016762	CB-1382P-.50MM
3016763	CB-1382P-.75MM
3016786	S41888
3016890	226-1646
3017349	224-2144
3017750	VS28794
3017759	218-3732
3018210	MS-2019P
3018211	MS-2019P-10
3018818	217-3446
3019218	TW-369S
3019219	TW-369S+10
3019287	224-2091
3019370	211-1945
3020183	48164 JV5075
3020186	JV5075
3020943	MS12242X
3020980	VS38793TC
3021658	OC 282
3022157	226-4544
3023228	229-1923
3024395	211-3311
3025518	229-1874
3026924	183 TC 24562 000
3026975	229-1874
3027105	223-3698
3027692	JV5073
3027714	JV5073
3027881	VS50422
3027949	67623

CUMMINS	MAHLE
3027983	OS21996
3028107	TW-457S
3028685	224-2197
3028686	224-2339
3029010	224-2271
3029340	247-5049
3029341	247-5068
3029847	72122 OS21996
3030216	MS-1687P
3030217	MS-1687P-10
3030218	MS-1687P-20
3030219	MS-1687P-30
3031037	SH-1394S
3031445	67648
3031469	OS21996
3032011	JV5073
3032012	67623
3032285	218-3732.003
3032287	218-3732.010
3032861	OS21996
3032874	223-7077 223-7158
3033234	211-2748
3033314	217-3332
3033315	217-3332
3034332	286 TC 16102 010
3034816	226-4546
3034855	VS50454
3035110	211-3311
3035253	VS50422
3035812	226-4477
303661	CB-625P-10
3036669	224-2271
3036697	229-2233
3037349	JV5073
3037413	224-2091
3037820	224-2271
3039114	VS50422
3040830	211-2689
3040882	226-4546
3041263	247-5003
3041804	67650
3042318	224-3249
3042544	72121
3042568	229-1874
3042763	226-4414
3043909	223-3700
3044514	VS38793TC
3044580	54146



CUMMINS	MAHLE
3045882	601-8035
3045948	224-2819
3046325	226-4477
3047188	223-7200
3047390	CB-1619P
3047391	CB-1619P-10
3047392	CB-1619P-20
3048650	224-2342
3048809	224-2820
3049024	229-1874
3049187	VS50420
3049221	GS33613
3049464	67648
3049465	67650
3050366	224-2822
3050369	217-3916
3050480	224-2823
3051553	224-2341
3051554	224-2340
3051556	224-2344
3051557	224-2343
3052586	72022
3052794	224-2818
3054600	218-8010
3054841	VS38793TC
3054936	226-4486
3055145	CB-1616P
3055146	CB-1616P-10
3055147	CB-1616P-20
3058148	JV5073
3058532	VS50424
3064281	B45894
3064291	247-5178
3064295	223-3701
3064304	223-1960
3064305	223-5540
3064312	217-4092
3064627	226-4546
3065115	JV5075
3065405	226-4486
3065406	223-8012
3066211	GS33613
3066311	VS50321
3067568	TW-369S
3067568(.005)	TW-369S+5
3067568(.010)	TW-369S+10
3067616	JV1689
3067618	JV5075
3067953	VS50320

CUMMINS	MAHLE
3068135	VS50579
3068519	211-4283
3068828	211-3347
3069100	MS12242X
3069151	VS50579
3069177	GS30376
3069212	224-2743
3069687	VS50320
3070136	EK3539 GS33538
3070137	EK3539 GS33538
3070138	EK3539 GS33538
3070159	211-3316
3070473	211-4285
3072324	224-3284
3073510	B45928
3073512	217-4082
3073707	247-5183
3073966	VS50416
3074982	54224
3076189	54224
3076203	JV5075
3076284	VS50320
3076292	VS50320
3077770	601-8035
3078292	67658
3078399	211-4285
3080760	226-4546
3080975	211-3347
3080976	211-3316
3081268	224-3290
3081269	224-3284
3081489	223-7183
3081880	49575
3082092	224-3003.020
3083754WP	224-3290
3083991	211-4282
3084023	224-3772X
3084044	224-3771X
3084045	211-4284
3084980	211-4282
3087634	224-3771X
3087635	224-3772X 224-3774X
3088391	211-3311
3088393	211-3343
3090198	54145
3095739	224-3289

CUMMINS	MAHLE
3095759	224-2342
3096362	247-5139
3096681	224-3313
3096685	224-3333
3099083	EK3518-1 EK3522VR EK3523VR OS21996
3101268	GS33613 GS33617
3102109	72013
3102314	GS33613 GS33617
3104229	G32485 GS33613
3104230	G32492 GS33613
3104232	B32477
3150011	CB-1226P
3155618	OC 320
3161653	TW-457S
3161772	67633
316468	286 TC 15267 010
3166289	54145
3166410	211-4282
3201082	247-5220
3202210	217-4073
3202314	218-3732
3252363	OS32210
3275354	216-5215
3275356	211-2450
3275431	224-3223
3275949	224-3223
3277332	223-3564
3277744	CS3980
3277752	HS3980
3277753	HS3932X
3278173	217-3289
3278345	SH-1394S
3278723	S41082
3281721	JV5074
3282133	VS50577
3282805	4068C
3282999	4961
3283000	4068D
3283001	4961-2
3283003	4961-3
3283333	4961
3283335	4068C
3283336	4961-2



CUMMINS	MAHLE
3283337	4068D
3283338	4961-3
3283339	4068E
3283569	4961
3283570	4068C
3284623	PS38801
3287561	OS32381
3300901	KC 28
3304232	OC 282
3307885	OC 508
3309637	OC 282
3310169	OC 508
3313282	OC 508
3313283	OC 282
3313284	OC 282
3313289	OC 282
3315804	KC 28
331584	KC 28
3315844	KC 28
3315845	KC 28
3315847	KC 28
3318853	OC 304 OC 482
3328634	54146
3328698	67622
3328781	B45928
3328925	54146
3330537	GS33609
3330538	GS33609
3347569	247-5220
3347937	GS33609
3347939	GS33609
3349818	54123
3349820	EK3522VR EK3523VR EK3539 OS32201
3353977	67639
3357693	JV1690
3401290	OS32219
3401544	OC 304 OC 482
3406659	211-1945
3411461	54123
3411878	B32488
3411879	B32486
3413082	JV5075
3417713	211-3315
3418020	211-3347
3418021	211-3316

CUMMINS	MAHLE
3504696	286 TC 24275 010
3519092	286 TC 24275 010
3519095	286 TC 16102 010
3519807	GS33583
3520030	286 TC 14234 000 286 TC 14234 010
3521551	213TC18235000
3521802	286 TC 24275 010
3521803	286 TC 16102 010
3522778	286 TC 14015 000
3522861	213TC18235000
3522862	213TC18235000
3522865	183 TC 24517 000 183 TC 24517 010
3522866	183 TC 24517 000 183 TC 24517 010
3522867	183 TC 24519 000 183 TC 24519 010
3522871	183 TC 24518 010
3522872	183 TC 24518 000 183 TC 24518 010
3522900	286 TC 14234 000 286 TC 14234 010
3523273	183 TC 24517 000 183 TC 24517 010
3523822	213TC18235000
3524034	286 TC 15267 000 286 TC 15267 010
3524035	286 TC 15267 000 286 TC 15267 010
3524202	183 TC 24518 010
3524802	213TC18235000
3525237	286 TC 15235 010
3525238	286 TC 15235 000 286 TC 15235 010
3525998	183 TC 24564 000
3527046	183 TC 24563 000
3527047	183 TC 24563 000
3527048	183 TC 24563 000 183 TC 24563 010
3527547	183 TC 24564 000 183 TC 24564 010
3528552	183 TC 24276 000
3528602	183 TC 24276 000
3528742	286 TC 14015 000
3528743	286 TC 14234 000 286 TC 14234 010
3528744	286 TC 14234 000 286 TC 14234 010
3528777	286 TC 15267 000
3528778	286 TC 15267 000

CUMMINS	MAHLE
3529032	183 TC 24563 000
3529435	183 TC 24276 000
3530714	286 TC 14015 000
3530716	286 TC 15267 000
3530721	286 TC 14234 000 286 TC 14234 010
3530767	183 TC 24276 000
3530772	286 TC 14015 000
3532054	183 TC 24276 000
3534286	286 TC 21103 000
3535381	286 TC 14234 000 286 TC 14234 010
3535414	286 TC 14015 000
3535415	286 TC 14015 000
3535416	286 TC 14015 000
3535417	286 TC 14015 000
3535418	286 TC 14015 000
3535420	286 TC 14015 000
3535421	286 TC 14015 000
3535422	286 TC 14234 000 286 TC 14234 010
3535423	286 TC 14234 000 286 TC 14234 010
3535424	286 TC 14234 000 286 TC 14234 010
3535425	286 TC 14234 000 286 TC 14234 010
3535426	286 TC 14234 000 286 TC 14234 010
3535427	286 TC 14234 000
3535454	286 TC 14015 000
3535456	286 TC 15267 000
3535457	286 TC 15267 000
3535619	286 TC 31104 000
3535620	286 TC 31104 000
3535636	286 TC 31104 000
3535638	286 TC 31104 000
3536677	286 TC 14234 000 286 TC 14234 010
3537127	286 TC 31104 000
3537128	286 TC 31104 000
3537133	286 TC 31102 000
3537134	286 TC 31102 000
3537135	286 TC 31102 000
3537136	286 TC 31101 000 286 TC 31102 000
3537137	286 TC 31101 000 286 TC 31102 000
3538188	286 TC 14015 000
3538222	183 TC 23538 000 183 TC 23538 100

CUMMINS	MAHLE
3538223	183 TC 23538 000
	183 TC 23538 100
3538224	183 TC 23538 000
	183 TC 23538 100
3538225	183 TC 23538 000
	183 TC 23538 100
3538226	183 TC 23538 000
	183 TC 23538 100
3538227	183 TC 23538 000
	183 TC 23538 100
3538228	183 TC 23538 000
	183 TC 23538 100
3538228	183 TC 23538 000
	183 TC 23538 100
3538230	183 TC 23538 000
	183 TC 23538 100
3538277	286 TC 14015 000
3538351	286 TC 21102 000
3538352	286 TC 21102 000
3538677	286 TC 31104 000
3590079	286 TC 15267 000
3591459	183 TC 23538 000
	183 TC 23538 100
3592224	286 TC 21103 000
3592225	286 TC 21103 000
3592226	286 TC 21103 000
3596988	286 TC 15267 000
3598176	286 TC 31102 000
3599335	183 TC 23538 000
	183 TC 23538 100
3599940	001 TC 31102 000
36 805 80	SH-2136
36 805 81	SH-2137
3608833	247-5001
3608889	247-5237
3609837	601-8035
3627642	247-5180
3627695	GS33617
3628407	54145
3629276	247-5180
3631241	224-3333
3631245	224-3313
3631248	S41882
3634664	54145
3678603	GS33584
	GS33613
	GS33616
	GS33617
3678738	223-7216
3678762	GS33617
3678770	GS33613

CUMMINS	MAHLE
3678770	MS19750
3678786	GS33584
	GS33616
	GS33617
3678846	72621
3678912	GS33617
3678925	GS33613
3679139	GS33617
3679573	B32488
3679574	B32486
3679930	B32489
3679931	B32491
3679932	B32490
3679934	B32487
3680202	TW-691S
3680324	GS33613
	GS33617
3681911	247-5237
3682076	GS33613
3682177	GS33617
	MS19750
3682360	GS33613
3682551	G32485
3682710	MS19737
3682940	MS19737
3683940	MS19737
3684284	GS33617
3684359	GS33617
3685535	GS33617
3685639	54775
3685834	54775
3709861	GS33583
3768263	286 TC 21201 000
3768264	286 TC 21201 000
3768267	286 TC 21201 000
3800064	GS33337
3800298	MS-2297P
	MS-2297P-.50MM
3800302	226-1848
3800318	225-3787
3800319	226-2070
3800320	225-3754
3800328	226-2035
	226-4566
3800340	211-4298
3800341	211-4296
3800342	HS54132
3800343	CS54132-1
3800348	CS54126-1
3800383	286 TC 24929 000

CUMMINS	MAHLE
3800397	286 TC 21009 000
3800400	183 TC 23538 000
	183 TC 23538 100
	183 TC 23538 114
3800471	286 TC 21006 000
3800487	CS54174-1
3800558	CS54126-1
3800616	67658
3800618	CS54123-2
3800638	211-3347
3800639	211-3316
3800643	67623
3800704	CS54132
3800709	286 TC 15390 000
3800727	HS4963
3800728	HS4963A
3800730	HS4963B
3800750	HS54126
3800756	225-3789
3800760	225-3789.040
3800761	225-3789.020
3800781	224-3355
	224-3357
	225-3355
3800782	225-3355B
3800785	224-3357.040
	225-3355.040
3800799RX	286 TC 21002 000
3800800	226-1852
3800801	226-1851
3800838	224-3354
	224-3356
	225-3354
3800839	224-3356020
	225-3354.020
3800840	224-3356.040
	225-3354.040
3800841	225-3354.020
3800842	225-3354.040
3800853	HS54174-1
3800872	MS-2287P
3800891	211-4282
3800912	S42162
	S42162
3800968	67623
3800990	286 TC 21103 000
3801005	HS4963A
3801006	CS4963
3801007	CS4963A
3801030	229-1923
3801043	S41888



CUMMINS	MAHLE
3801051	CS5858-4
3801056	S41888
3801058	224-2144
3801065	S41888
3801104	224-2342
3801106	SH-1529S
3801126	226-1851
3801138	JV5073
3801139	67623
3801141	HS54146-1
3801150	MS-1716P
3801151	MS-1716P-.25MM
3801152	MS-1716P-.50MM
3801153	MS-1716P-.75MM
3801235	CS5858-5
3801260	MS-1687P
3801261	MS-1687P-10
3801262	MS-1687P-20
3801263	MS-1687P-30
3801270	MS-1531P
3801271	MS-1531P-10
3801272	MS-1531P-20
3801324	HS5858-1
3801328	HS5858-15
3801329	HS5858-15
3801330	EK3518-1 EK3518-2 HS5858-3 HS5858-4
3801332	EK3520-1
3801335	CS5858-4 HS5858-15 HS5858-3
3801339	HS5858-3 HS5858-4
3801341	HS5858-3 HS5858-4
3801356	211-2748
3801393	224-2343
3801397	HS54123-5
3801448	229-2233
3801451	EK3520-1 HS5858-16
3801454	CS5858-6
3801468	CS5858-4
3801470	CS5858-9
3801482	213TC18235000
3801489	286 TC 24275 000 286 TC 24275 010
3801533	224-3249
3801534	224-2819

CUMMINS	MAHLE
3801535	224-2262
3801543	226-1851
3801591	286 TC 24516 000
3801597	213TC18235000
3801598	213TC18235000
3801598RX	213TC18235000
3801599	183 TC 24518 000 183 TC 24518 010
3801613	183 TC 24517 000 183 TC 24517 010
3801614	183 TC 24519 000 183 TC 24519 010
3801617	183 TC 24517 000
3801627	JV5073
3801628	67623
3801641	HS54146-1
3801657	CS3980 HS3980
3801703	224-2342
3801719	CS4963C
3801744	224-2823
3801746	226-1839 226-1840
3801754	EK3522VR HS5858B
3801755	S41889
3801764	226-1769
3801765	226-1748 226-1847
3801766	224-2341
3801768	226-1749
3801770	224-2339
3801771	226-1745
3801773	224-2344
3801774	226-1770 226-1862
3801775	226-1760
3801776	226-1771 226-1883
3801777	226-1750
3801779	226-1772 226-1863 226-1884
3801780	226-1773 226-1860
3801781	226-1774
3801793	224-2343
3801795	226-1747
3801817	226-1831
3801818	224-2822
3801819	224-2821

CUMMINS	MAHLE
3801820	224-2820
3801822	226-1837
3801823	226-1835 226-1836
3801824	226-1833
3801826	226-4414
3801839	HS5858-16
3801872	226-1646
3801873	226-1775
3801876	224-2340
3801918	183 TC 24564 000
3801926	183 TC 24518 010
3801935	183 TC 24562 000
3801936	183 TC 24562 000
3801954	224-2818
3801956	226-1841
3801956(20/40)	226-1842
3802005	211-3201
3802006	211-3202
3802010	MS-1718P
3802011	MS-1718P-.25MM
3802012	MS-1718P-.50MM
3802013	MS-1718P-.75MM
3802015	HS4961
3802016	HS4961
3802017	HS4961-2
3802018	HS4961-3
3802019	CS4961-1
3802025	HS4068
3802026	HS4068
3802029	CS4068
3802030	224-3342 225-3321
3802032	224-3342.020 225-3321.020
3802034	224-3342.040 225-3321.040
3802040	S41517
3802042	S41517.020
3802044	S41517.040
3802050	S41518 S42221
3802052	S42221.020
3802054	S42221.040
3802056	S41518 S42221
3802060	224-2574 225-3526
3802062	225-3526.020
3802064	225-3526.040



CUMMINS	MAHLE
3802070	MS-1717P MS-2328P
3802071	MS-1717P-.25MM MS-2328P-.25MM
3802072	MS-1717P-.50MM MS-2328P-.50MM
3802073	MS-1717P-.75MM MS-2328P-.75MM
3802075	CS3488K
3802085	211-3204
3802086	HS54126
3802087	CS54126-1
3802090	224-3003 224-3345 225-3345
3802092	224-3345.020
3802094	224-3003.040
3802100	224-3003 225-3523
3802102	224-3003.020 225-3523.020
3802104	224-3003.040 225-3523.040
3802126	286 TC 15267 000
3802132	225-3525.020
3802134	225-3525.040
3802160	224-3002 225-3525
3802170	224-3337
3802172	224-3337.020
3802174	224-3337.040
3802210	MS-1740P
3802211	MS-1740P-.25MM
3802212	MS-1740P-.50MM
3802216	HS4961
3802217	HS4961-2
3802218	HS4961-3
3802226	HS4068
3802230	S41518 S42221
3802232	S42221.020
3802234	S42221.040
3802240	HS4961
3802241	HS4961-2
3802242	HS4961-3
3802243	HS4068 HS4068LH
3802245	HS4068B
3802248	224-3317 224-3338
3802258	S41677

CUMMINS	MAHLE
3802266	CS4961-1
3802267	CS4068
3802268	HS54126
3802289	286 TC 14015 000 286 TC 14015 010
3802290	286 TC 14234 000
3802303	286 TC 15267 000 286 TC 15267 010
3802341	HS54126
3802354	CS54126-1
3802355	211-3201
3802356	211-3202
3802360	HS54126
3802361	HS4961
3802362	HS4961-2
3802363	HS4068
3802364	HS4068A
3802370	226-4496
3802375	CS4961 CS4961-1
3802376	CS4068
3802388	226-1894
3802389	CS54126-1
3802391	286 TC 16022 000
3802396	226-1949
3802398	224-3326 226-1947 226-1950
3802400	226-1948
3802401	226-1950
3802402	226-1949
3802403	226-1951
3802404	226-1947
3802406	226-1899
3802407	226-4547
3802421	S41518 S42221
3802422	S42221.020
3802423	S42166.040 S42221.040
3802429	226-2035 S41677
3802452	HS54126
3802461	225-3331B
3802462	225-3331C
3802463	211-3203
3802481	211-4294
3802487	224-3340 225-3520
3802493	224-3340.020 225-3520.020

CUMMINS	MAHLE
3802495	224-3340.040 225-3520.040
3802520	MB-3110A
3802538	S41901 S41901
3802558	286 TC 21003 000
3802561	224-3513 224-3515 225-3513 225-3515
3802562	224-3341 224-3513 225-3513B
3802563	224-3513.020 225-3513 225-3513.020 225-3514.020
3802564	224-3341.020 225-3515.020
3802565	224-3341.040 224-3513.040 225-3513.040 225-3514.040 225-3515.040
3802601	225-3330A
3802602	225-3330B
3802603	225-3330C
3802604	225-3330D
3802624	HS54126
3802657	224-3293 225-3293
3802678	286 TC 21007 000
3802746	S41518 S42221
3802747	224-3344
3802750	S41905
3802757	225-3322
3802759	225-3322.040
3802764	224-3323.020 225-3323.020
3802765	225-3323.040
3802770	286 TC 31101 000 286 TC 31102 000
3802798	286 TC 15390 000
3802810	286 TC 31104 000
3802811	226-1917
3802820	48383 JV1186 JV5076 JV5097
3802831	S41905
3802863	S41905.020
3802864	S41905.040

CUMMINS	MAHLE
3802906	286 TC 17385 000
3802917	S41905.020 S42165.020
3802918	S41905.040
3802919	S41905
3802924	211-4182
3802925	225-3780.020
3802926	225-3780.040
3802927	225-3780
3802946	286 TC 21008 000
3802967	211-4183
3802980	CS54174-1
3802981	HS54174-1
3802992	286 TC 21007 000
3803024	286 TC 15235 000 286 TC 15235 010
3803040	EK3523VR HS5858A
3803041	CS5858-3
3803108	183 TC 24563 000 183 TC 24563 010
3803109	286 TC 16102 000 286 TC 16102 010
3803209	226-1840
3803210	226-1873
3803211	226-1796
3803212	226-1794
3803213	226-1792
3803214	226-1793
3803215	226-1834
3803216	226-1832
3803217	226-1836
3803219	226-1822 226-4477 226-4486
3803221	226-1848
3803279	183 TC 24562 000 183 TC 24562 010
3803287	183 TC 24562 000 183 TC 24562 010
3803294	CS54132
3803308	183 TC 24276 000
3803310	211-3347
3803344	224-2743
3803346	226-1821
3803354	67623
3803358	S41887
3803360	211-4283
3803374	HS54123-2
3803375	HS54123
3803376	CS54123-1

CUMMINS	MAHLE
3803388	183 TC 24276 000
3803404	CS54147
3803429	224-3284
3803444	HS5858AH
3803445	HS54123-1
3803453	CS54132
3803463	HS54146-1
3803465	226-1851
3803471	S41889
3803472	S41882
3803515	211-3343
3803519	211-1945 211-2689
3803524	211-1945
3803529	211-3311
3803553	286 TC 24557 000
3803570	183 TC 25331 000
3803572	CS54132
3803573	67648
3803574	67650
3803576	JV5073
3803583	286 TC 24555 000
3803584	286 TC 24556 000
3803585	286 TC 24557 000
3803586	183 TC 24276 000 183 TC 24276 010
3803597	HS4963
3803598	HS4963A
3803600	HS4963B
3803606	HS5858AH
3803607	HS54123-1
3803608	HS54123-2
3803609	HS54123
3803613	CS54123-1
3803626	224-3276
3803632	226-1851
3803703	226-4546
3803713	HS5858AH
3803714	HS54123-1
3803715	HS54123-2
3803716	HS54123
3803720	67658
3803730	211-3316
3803739	224-3776
3803740	226-2040
3803741	224-3775
3803742	226-2039
3803755	226-1911
3803755(20/40)	226-1912
3803758	224-3284

CUMMINS	MAHLE
3803759	226-1903
3803759(20/40)	226-1908
3803854	211-4284
3803894	67633 JV5017
3803896	67652 JV5073
3803961	S41371
3803965	224-2271
3803967	224-3276
3803973	226-1851
3803977	S41934
3803981	HS5858A
3803982	HS5858B
3803983	HS5858-16
3803990	S41886
3803996	211-3315
3804272	HS54123-5
3804276	EK3518-1 EK3518-2 HS5858-3 HS5858-4
3804286	HS5858AH
3804287	HS54123
3804290	HS54123-1
3804291	HS54123-2
3804295	HS4963
3804296	HS4963A
3804301	CS4963C
3804304	JV5017
3804308	286 TC 24557 000
3804355	48383
3804379	226-1848
3804409	224-2342
3804414	224-2339 224-3289
3804444	226-1905
3804474	226-1907
3804500	S41886 S41887
3804501	226-2039
3804502	286 TC 24557 000
3804571	S41882
3804630	224-3777
3804635	CS54123-2
3804636	226-2041
3804639	226-2040
3804653	226-2040
3804741	HS54123-4
3804744	67622 JV5017



CUMMINS	MAHLE
3804749	CS54132
3804800	286 TC 24555 000
3804801	286 TC 24556 000
3804843	HS54146-1
3804858	286 TC 21102 000
3804896	HS4961
3804897	HS4068 HS4068LH
3804899	48383
3804947	S42170
3804964	286 TC 21003 000
3804979	S42170.020
3804986	S42170.040
3804990	225-3355.020 S41518 S41941
3805758	225-3322.020
3806183	CS54126-1
3806201	S41941.020 S42170.020
3806203	S41941.040 S42170.040
3806229	S41905.020
3806230	S41905.040
3806241	S41517.020
3806242	S41517.040
3819989	247-5133
3820566	SH-1773 SH-1773S
3821572	601-8035
3821575	601-8035
3822062	TW-457S
3822959	223-8147
3822960	223-8147
3822961	223-8147
3825970	OC 482
3865113	224-3773X
3882433	OS32209
3882568	54146
3883102	VS50422
3883220	VS50316
3883284	GS33582 GS33583 GS33616
3883287	211-3315
3883519	54146
3883718	54146
3883927	54146
3889311	OC 282
3890706	KC 191
3890707	KC 6

CUMMINS	MAHLE
3890708	OC 320
3890709	OC 585
3890710	OC 320
3890712	OC 585
3892021	67622
3892667	VS50422
3893927	54146
3895062	67648
3895063	67650
3895075	67650
3895110	211-3316
3895478	211-3315
3896697	VS50422
3896894	223-3699
3899378	54146
3900276	212-1800
3900299	216-4121
3900393	OS32172
3900396	226-4490
3900709	48383
3900947	OS32172
3901019	JV1622 JV1690
3901085	223-3644 223-3717
3901097	B45411A
3901117	211-3201
3901170	CB-1413P
3901171	CB-1413P-.25MM
3901172	CB-1413P-.50MM
3901173	CB-1413P-.75MM
3901178	B45893
3901306	SH-1404
3901356	GS33582
3901430	CB-1409P
3901431	CB-1409P-.25MM
3901432	CB-1409P-.50MM
3901433	CB-1409P-.75MM
3901470	223-3642
3901590	MB-3104P
3901607	211-3202
3901685	SH-1402 SH-2183
3901717	214-2188
3901856	JV1186
3902002	MS12435
3902254	211-3204
3902365	JV5097
3902369	JV1186
3902425	GS33582

CUMMINS	MAHLE
3902425	OS32139
3902466	VS50577
3902666	VS50215S
3903224	OC 585
3903264	OC 1001 OC 320
3903324	OC 585
3903410	KC 191
3903475	JV1186
3903579	224-3321
3903640	KC 6
3903653	4068C
3903655	224-2574.040
3903656	224-2574.020
3903895	224-3325
3904105	218-3787
3904166	226-4490
3904323	JV1622
3904334	4961
3904335	4961-2
3904336	4961-3
3904353	48383
3904408	217-4114
3904409	217-4115
3904492	JV1186
3905143	JV1186
3905449	VS50577
3905870	214-1183
3906027	OS32172
3906080	48383
3906206	217-4116
3906208	224-2574.040 224-3526.040 225-3526.040
3906209	224-2574.020 224-3526.020 225-3526.020
3906221	224-2574
3906223	224-2574 224-3526 225-3526
3906611	OS32205
3906659	GS33484
3906698	K31420
3906773	GS33582
3906854	218-3788
3907054	4961
3907055	4961-2
3907056	4961-3
3907057	4068C



CUMMINS	MAHLE
3907156	224-2575 224-3523
3907157	224-2575.020 224-3523.020
3907158	224-2575.040 224-3523.040
3907163	224-3525
3907177	223-7201
3907682	54126
3907792	226-4496
3907803	247-5177
3907804	247-5130
3907836	JV5097
3908008	224-3325
3908031	247-5177
3908032	247-5130
3908139	67639
3908141	67639
3908479	224-3325
3908615	OC 1001 OC 1001 OC 320
3908616	OC 585
3908636	224-3325
3908815	224-2573.020 224-3525.020 225-3525.020
3908816	224-2573.040 224-3525.040
3908997	4068C
3909409	GS33491
3909410	JV1622
3910500	JV1186
3910739	228-2317
3910810	214-2194
3910811	214-2195
3910877	286 TC 15267 000
3911342	54126
3911400	224-3522
3911535	OS32172
3911536	OS32139
3911818	OS32205
3912049	224-3522.020
3912050	224-3522.040
3912220	F10142
3913990	223-3642
3914017	OS32205
3914029	MS12435
3914383	OS32139
3914384	JV5097
3914385	JV1186

CUMMINS	MAHLE
3914386	JV1622 JV1690
3914395	OC 1001 OC 320
3915707	B45893
3915720	4961-2
3915721	4961-3
3915726	4961
3915730	4068C
3916131	JV5072 JV5097
3916401	JV5072
3916588	212-1794
3916691	212-1798
3916840	MB-3104P
3917320	247-5096
3917354	4961
3917355	4961-2
3917357	4068C
3917358	4068C
39174443	247-5096
3917619	224-3318
3917707	224-3012
3918305	4068C
3918306	4068D
3918307	4068E
3918673	JV5072
3918777	8-5511
3918986	247-5096
3919041	224-3317
3919044	224-3317.020
3919045	224-3317.040
3919047	224-3318.020
3919048	224-3318.040 224-3517.040 225-3514
3919053	225-3355
3919201	286 TC 15267 000
3919435	230-3060
3919564	224-3325
3919565	224-3326
3919928	224-3325
3919930	224-3326
3920691	223-5525 224-3802 224-3802.020
3920773	OS32139
3920867	211-3201
3920868	211-3202
3921216	54126

CUMMINS	MAHLE
3921393	4961
3921394	4068C
3921395	4961-2
3921396	4068D
3921397	4961-3
3921444	211-3204
3921640	B45411A
3921850	54126
3921927	67639 JV5074
3921954	8-5508
3922488	214-1184
3922571	224-3319 224-3520
3922574	224-3319.020 224-3520.020
3922575	224-3319.040 224-3520.040
3922794	GS33583 GS33584 GS33616 GS33617
3923163	224-3325
3923165	224-3327
3923331	C31421
3923478	229-2435
3923564	217-4117
3924471	229-2435
3924492	211-3203
3924582	218-3796
3925175	211-4294
3925176	218-3793
3925177	218-3794
3925272	212-1795
3925274	KC 191
3925863	217-4118
3925878	224-3330A
3925879	224-3330B
3925880	224-3330C
3925881	224-3330D
3926126	67857
3926631	224-3515 225-3515
3926632	224-3320 224-3513 224-3514 225-3513 225-3514
3926633	224-3513.020 225-3513.020 225-3514.020



CUMMINS	MAHLE
3926634	224-3320.020 224-3513.020 224-3515.020
3926635	224-3320.040 224-3513.040 224-3514.040 225-3513.040 225-3514.040
3926700	212-1801
3926963	224-3331C
3926964	224-3331D
3927063	GS33493
3927154	MS10141
3927642	B45893
3928168	54126
3928174	218-3797
3928493	JV1622 JV1690
3928624	GS33616
3928674	224-3323.020
3928675	224-3323.040
3928832	PS38801
3929005	218-3800
3929012	MS19719
3929016	MB-3110P
3929021	MB-3110P
3929028	8-5507
3929036	247-5177
3929037	247-5130
3929039	229-2430
3929457	72116
3929734	229-2440
3929885	229-2429
3930187	224-3322
3930188	224-3322.020
3930189	224-3322.040
3930378	229-2442
3930906	VS50215S
3930942	KC 191
3931019	54126
3931065	KC 6
3931346	OS32139
3931347	MS12435
3931350	GS33582
3931351	JV5097
3931602	OS32172
3931824	GS33583 GS33584
3932217	OC 1001 OC 320
3932453	212-1799

CUMMINS	MAHLE
3934027	224-3344
3934044	OS32205
3934047	223-1932 224-3520 224-3520.040 225-3354 225-3354.020 225-3354.040 225-3520 225-3520.020
3934048	225-3523 225-3523.020 225-3523.040 225-3525.040
3934486	JV1622
3934593	226-2035
3935171	GS33617
3935274	KC 191
3935449	T27119 VS50416
3935585	54126
3935878	VS50317
3935892	230-3057
3936993	MS19374
3937072	OS32139
3937111	48383 JV5072
3937142	GS33484
3937219	214-2197
3937220	214-2196
3937393	S42221
3937706	GS33582 GS33583
3937743	OC 320
3938152	MS12435
3938156	JV5072 JV5097
3938159	JV1622 JV1690
3938160	OS32205
3938162	OS32172
3938163	229-2447
3938177	S42221
3938267	54126
3939719	218-3789
3940059	SH-1981
3940123	216-5243
3940152	218-3798
3940153	218-3799
3940734	211-4183
3940735	211-4182
3941137	230-3059

CUMMINS	MAHLE
3941476	223-3644 223-3717
3942368	54174
3942567	229-2441
3942571	B45903
3942572	B45902
3942588	211-4298
3942589	211-4296
3942662	224-3355
3942748	214-2189
3942749	214-2190
3942755	8-5506
3942989	B45903
3943199	SH-1402 SH-2183
3943366	54132
3943445	214-1181
3943446	224-3332
3943449	218-3790
3943450	218-3791
3943626	214-1182
3943708	224-3355
3943902	54132
3944153	MB-3104A
3944158	MB-3104A
3945033	229-2445
3945329	SH-1402 SH-2183
3945438	B45902
3945803	54174
3945929	MB-3964A
3945930	MB-3104A
3946050	224-3354
3946053	224-3354.020
3946054	224-3354.040
3946153	224-3355
3946156	224-3355.020
3946157	224-3355.040
3946532	JV1690
3947530	MIS19751 MS19355 MS19751
3947678	S42170
3947814	JV5076
3948102	217-4119
3948578	B45955
3949530	GS33584
3949562	OS32278 OS32381
3949580	S42170.040

CUMMINS	MAHLE
3949808	224-3672
3949841	224-3672.020
3949842	224-3672.040
3949843	224-3674.020
3949844	224-3674.040
3949910	G32479 MIS19751
3950661	CB-1923P
3954324	VS50416
3954829	C31858
3954875	54557
3954876	54557A
3955109	VS50419
3955339	MS19225 MS19741
3955393	B45962
3955394	B45963
3957486	OS32278
3957492	JV1690
3957912	B45953
3958165	OS32278
3958644	54557
3958645	54557A HS54557A
3958675	224-3674
3958716	G32481 MIS19751
3959052	OS32139
3959079	S42170
3963379	VS50419
3963988	GS33617
3963990	MIS19751
3964763	KC 6
3965497	224-3672
3966244	CB-1923P
3966342	54556A HS54556 HS54556A
3966343	54556 HS54556
3966430	229-2448
3966658	230-3058
3966675	224-3672.020
3966676	224-3672.040
3967256	229-2446
3968074	218-3795
3968381	229-2431
3969562	CB-1873AP
3969988	MS19355
3970126	224-3673.020

CUMMINS	MAHLE
3970127	224-3673.040
3970192	224-3673
3970518	S42140
3970548	48384 JV1690
3970727	211-4297
3970951	223-3642
3972753	MIS19751
3972757	216-4120
3972764	247-5228
3975641	VS50543
3976371	GS33614
3977063	54174 54174A 54174B
3977063(.50MM)	54174B
3977338	G32463 GS33616
3977393	GS33614
3977913	GS33485
3978822	MB-3109A
3979506	229-2444
3979769	G32461 MIS19751
3991085	212-1797
40 264 23	SH-2138
4009220	226-4559
4009233	226-4561
4010519	GS33613 GS33617
4019886	224-3328
4022500	54146
4023083	TW-703S
4023203	TW-457S TW-703S
4024767	226-4559
4024775	226-4561
4024779	223-7209 226-4559
4024918	EK3523VR HS5858A
4024919	EK3522VR HS5858B
4024920	EK3522VR HS5858-16
4024924	HS5858AH
4024925	HS54123
4024926	HS54123-1
4024927	HS54123-2
4024928	HS54123
4024929	HS54123-4

CUMMINS	MAHLE
4024942	S41886
4024945	HS5858-3 HS5858-4
4024946	HS5858-3 HS5858-4
4024955	HS54123-5
4024957	HS5858-1
4024958	HS5858-15
4024992	HS54146-1
4025068	CS54123-2
4025069	CS54123-1
4025072	225-3781
4025120	MS-2318P
4025121	MS-2318P-.25MM
4025122	MS-2318P-.50MM
4025123	MS-2318P-.75MM
4025125	MS-1716P
4025155	HS54146-1
4025157	HS54146-2
4025224	MS-2272P MS-2329P
4025238	HS54132
4025270	67639
4025271	HS54126
4026507	VS50625
4026522	B32488
4026523	B32486
4026660	B46021
4026684	OS32376
4026791	B46022
4026884	GS33617
4035761	286 TC 31101 000 286 TC 31102 000
4036720	286 TC 21201 000
4036836	286 TC 25042 000
4037002	286 TC 25042 000
4041076	286 TC 21201 000
4043137	286 TC 21101 100 286 TS 21101 100
4043214	286 TC 21201 000
4043225	286 TC 21201 000
4044188	286 TC 31104 000
4044990	286 TC 31104 000
4046837	286 TC 21101 100 286 TS 21101 100
4058790	54123 HS5858-4
4058949	JV5075
4058981	VS50320
4062328	GS33484



CUMMINS	MAHLE
4070529	VS50422
4089140	225-3672
4089154	S42150
4089172	HS54556 HS54557
4089173	CS54556
4089181	S42170.020
4089182	S42170.040
4089183	225-3672.020
4089184	225-3672.040
4089258	S42170
4089263	HS54556A HS54557A
4089342	48384
4089368	HS5858AH
4089369	EK3539 HS54123-1
4089370	EK3539 HS54123-2
4089371	EK3539 HS54123
4089372	EK3539 HS54123-4
4089390	CS4963 CS4963C
4089391	CS4963A
4089392	286 TC 21010 000
4089405	CB-1908P
4089419	S42170.040
4089422	225-3781.020
4089423	225-3781.040
4089460	S42170
4089478	HS54146-2
4089479	CS54132
4089489	S41887
4089500	S41882
4089613	225-3782
4089614	S42170.020
4089615	S42170.040
4089642	286 TC 25004 000
4089644	S42163 S42163
4089646	225-3784
4089649	HS4068
4089669	225-3673
4089670	225-3673.020
4089671	225-3673.040
4089754	286 TC 25444 000
4089761	211-4297
4089762	211-4295
4089781	HS54556

CUMMINS	MAHLE
4089790	HS54174-1
4089793	S41885
4089797	286 TC 25042 000
4089810	S41888
4089811	S41889
4089819	HS54556 HS54557
4089845	MS-2297P-.25MM
4089846	MS-2297P-.50MM
4089958	HS54132
4089963	225-3788
4089998	CS54132
4090016	CB-1908P-.25MM
4090017	CB-1908P-.50MM
4090035	HS54174-1
4090037	HS54174-1
4101507	226-4596
4101881	B32488
4101882	B32486
42671	CB-296P
42679	CB-296P
426791	CB-296P
43067	223-3696
4309095	225-3786
43219	TW-369S
43219S	TW-369S+10
43233	CB-470P
43365	CB-296P
43463	72212
43463A	72222
43696	72115
43696A	72116
4890926	GS33484
4891178	223-3644 223-3718
4893693	CB-1873AP
4895710	72607
4907446	MS19740
4907447	MS19737 MS19740
4907448	MS19737
4920093	VS50579
4923748	223-1968
4925762	247-5237
4926017	TW-703S
4926019	TW-457S TW-703S
4926316	54775
4931041	224-3802 224-3802.020

CUMMINS	MAHLE
4931365	GS33584 GS33616
4931888	224-3802
4932210	54774
4933225	F32482
4933235	MIS19751 MS19751
4934063	217-4120
4934074	218-3792
4934278	GS33617
4934279	GS33617
4934282	S42140.020
4934816	224-3802.020
4935205	KX 357
4936076	212-1796
4936940	OS32381
4937829	G32480
4938619	224-3732
4938620	224-3732.020
4940849	MIS19751 MS19751
4942435	G32480
4943167	OS32381
4943533	G32480
4944137	223-3726
4944725	213-1794
4947667	JV1622 JV1690
4952644	GS33613
4955190	225-3786
4955204	225-3785
4955229	HS54774-3
4955237	225-3783
4955251	S42188 S42188.020
4955305	286 TC 21201 000
4955306	286 TC 21001 000
4955306RX	286 TC 21001 000
4955352	MS-1717P MS-2328P
4955354	HS54774-1
4955355	CS54774-1
4955361	286 TC 21101 100 286 TS 21101 100
4955361NX	286 TC 21101 100 286 TS 21101 100
4955365	225-3732
4955366	42140 42140.020 42140.040 S42140

CUMMINS	MAHLE
4955366	S42140.040
4955372	67883
4955383	67882
4955395	286 TC 21201 000
4955480	42140.020 S42140.020 S42188.020
4955523	HS54774-2
4955590	CS54775-1
4955591	CS54775-2
4955595	HS54775-1
4955596	HS54775-2
4955657	183 TC 23538 100
4955665	67622
4955853	MS-1717P MS-2328P
4955855	MS-2305A
4955860	MS-1717P-.25MM MS-2328P-.25MM
4955861	MS-1717P-.50MM MS-2328P-.50MM
4955862	MS-1717P-.75MM MS-2328P-.75MM
4955975	S41882
4956007	225-3732.020
4965569	67881
4980462	247-5228
4985660	B32488
4985661	B32486
4989314	OC 502
4992982	VS50543
4993834	CB-1921P
4995630	214-2191
4995631	214-2192
5083	OS21996
5253888	214-2193
5264570	GS33617
5264950	VS50543
5266422	MS19741
5266801	G32480
5284141	8-5512
553670	TW-448S
554786	224-3223
555420	223-3565
555421	223-3565
556350	CB-994P
556351	CB-994P-10
556650	224-3223
5894	CB-296P
6204218500	TW-687S

CUMMINS	MAHLE
6207313130	223-3681
668771	224-1538
66890	217-3606
6732818650	286 TC 15390 000
68002987AA	MS-1717P MS-2328P
68061	72012
68061A	72010
68642	72224
6891	72218
69043	72216
69653	72336
69760	72329
70437	SH-1379
70624	72327
70675	72009
70842	72113
891733	KC 28
A44712	224-2574.040
A77410	224-2574
A77411	224-2574.020
AR02860	S41885
AR03540	S41888
AR03640	MS-1265P
AR03641	MS-1265P-10
AR03642	MS-1265P-20
AR03643	MS-1265P-30
AR04970	S41314
AR05030	S41888
AR05060	S41888
AR05100	S40856
AR05110	S41888
AR05130	S40856
AR06100	224-3220
AR06130	224-3027
AR06170	224-3220
AR06680	S41888
AR06711	S41888
AR07090	MS-1531P
AR07092	MS-1531P-20
AR07110	MS-1687P
AR07111	MS-1687P-10
AR07112	MS-1687P-20
AR07113	MS-1687P-30
AR07240	MS-1687P
AR07241	MS-1687P-10
AR07242	MS-1687P-20
AR07243	MS-1687P-30
AR07272	MS-1687P-20

CUMMINS	MAHLE
AR07378	226-1506
AR07379	226-1506
AR07383	226-1506
AR07395	226-1506
AR07396	226-1506
AR07420	224-3220
AR07440	224-3027
AR07480	224-3220
AR10172	601-8034
AR10680	S41216 S41882
AR11671	S41888
AR11909	226-1571
AR11930	S41885
AR12098	S41314
AR12250	MS-2018P
AR12251	MS-2018P-10
AR12270	MS-1625P
AR12271	MS-1625P-10
AR12272	MS-1625P-20
AR12600	183 TC 24562 000
AR12684	HS5858-1
AR12694	HS5858-1
AR3560	224-3269
AR45432	183 TC 24562 000
AR45625	HS54123-5
AR51340	S41888
AR51479	CB-625P
AR51661	CB-625P-10
AR60473	247-5003
AR60740	224-2124
AR61102	247-5002 247-5003
AR61140	224-3223
AR62184	MS-1061P-10
AR62258	S40856
AR62440	224-3223
AR63500	HS3932X
AR63512	HS3932X
AR63514	HS3932X
AR63515	HS3932X
AR73350	S51307
AR73351	S51307.010
AR7510	224-1538
AR7709	47543
AR8069	226-4456
AT6000	224-2342
B3908615	OC 320
BM15599	CB-470P
BM17799	MS-1687P



CUMMINS	MAHLE
BM27253	SH-568S
BM28977	MS-1687P
BM28978	MS-1687P
BM29528	MS-1531P
BM38630	224-3220
BM40200	224-1538
BM45720	224-3220
BM55100	224-1538
BM55320	224-1538
BM58780	224-3027
BM60610	224-3208
BM60670	224-3027
BM68440	226-1506
BM68669	KC 28
BM71750	MS-1687P
BM71751	MS-1687P-10
BM71752	MS-1687P-20
BM71753	MS-1687P-30
BM72850	224-3220
BM73210	224-3220
BM78669	KC 28
BM78672	KC 28
BM92170	224-1538
BM98226	226-4419
BM98931	226-1506
BM98932	226-1506
BM99820	MS-1061P
BM99821	MS-1061P-10
BM99822	MS-1061P-20
BM99823	MS-1061P-30
BM99830	MS-1060P
BM99831	MS-1060P-10
BM99832	MS-1060P-20
BM99833	MS-1060P-30
C6204218500	MS-2287P
C6204278100	MS-2287P-.75MM
C6204288100	MS-2287P-.50MM
C6204298100	MS-2287P-.25MM
C6204313130	223-3680
CBU1975	286 TC 16022 000
CF105	KC 28
D156172	KC 28
E44008	72011
E44360	72010
EH42883	72329
ES119	72010
ES29	72216
ES69	72113
FF5052	KC 6

CUMMINS	MAHLE
H4799	OS21996
H5083	OS21996
J907026	286 TC 14015 010
J907028	286 TC 14015 010
J907029	286 TC 14015 010
J919113	286 TC 14015 010
J919115	286 TC 14015 010
J919117	286 TC 14015 000 286 TC 14015 010
J919121	286 TC 14015 010
J919199	286 TC 15267 000
LF3345	OC 585
NA	286 TC 24516 010 CS54423 CS54494A CS54494B CS54494C CS5905 CS5905A HS54423 HS54425B HS5905 HS5905A OS32288 OS32332 OS32365 OS32374 S41416
NH42679	CB-296P
OP2035-01	CS54147-1
OP2037	CS54147-1
S16109	47543
S16110	49113
S16144	72329
S86841	72232
X100716	72230
X158845	47243
Y106181	72239
Y113915	72114
Y141744	46773
Z113985	46773

MAHLE Original	CUMMINS
001 TC 31102 000	3599940
183 TC 23538 000	3538222
	3538223
	3538224
	3538225
	3538226
	3538227
	3538228
	3538228
	3538230
	3591459
	3599335
	3800400
183 TC 23538 100	3538222
	3538223
	3538224
	3538225
	3538226
	3538227
	3538228
	3538228
	3538230
	3591459
	3599335
	3800400
	4955657
183 TC 23538 114	3800400
183 TC 24276 000	3528552
	3528602
	3529435
	3530767
	3532054
	3803308
	3803388
	3803586
183 TC 24276 010	3803586
183 TC 24517 000	3522865
	3522866
	3523273
	3801613
	3801617
183 TC 24517 010	3522865
	3522866
	3523273
	3801613
183 TC 24518 000	3522872
	3801599
183 TC 24518 010	3522871
	3522872
	3524202
	3801599
	3801926
183 TC 24519 000	3522867
	3801614
183 TC 24519 010	3522867

MAHLE Original	CUMMINS
183 TC 24519 010	3801614
183 TC 24562 000	3001559
	3026924
	3801935
	3801936
	3803279
	3803287
	AR12600
	AR45432
183 TC 24562 010	3803279
	3803287
183 TC 24563 000	3527046
	3527047
	3527048
	3529032
	3803108
183 TC 24563 010	3527048
	3803108
183 TC 24564 000	3525998
	3527547
	3801918
183 TC 24564 010	3527547
183 TC 25331 000	3803570
211-1945	123659
	145701
	3019370
	3406659
	3803519
	3803524
211-2450	3275356
211-2689	3040830
	3803519
211-2748	3033234
	3801356
211-3201	3802005
	3802355
	3901117
	3920867
211-3202	3802006
	3802356
	3901607
	3920868
211-3203	3802463
	3924492
211-3204	3802085
	3902254
	3921444
211-3311	206515
	3007225
	3024395
	3035110
	3088391
	3803529
211-3315	3417713

MAHLE Original	CUMMINS
211-3315	3803996
	3883287
	3895478
211-3316	3070159
	3080976
	3418021
	3800639
	3803730
	3895110
211-3343	207241
	3088393
	3803515
211-3347	3068828
	3080975
	3418020
	3800638
	3803310
211-4182	3802924
	3940735
211-4183	3802967
	3940734
211-4282	3083991
	3084980
	3166410
	3800891
211-4283	3068519
	3803360
211-4284	3084045
	3803854
211-4285	3070473
	3078399
211-4294	3802481
	3925175
211-4295	4089762
211-4296	3800341
	3942589
211-4297	3970727
	4089761
211-4298	3800340
	3942588
212-1794	3916588
212-1795	3925272
212-1796	4936076
212-1797	3991085
212-1798	3916691
212-1799	3932453
212-1800	3900276
212-1801	3926700
213-1794	4944725
213TC18235000	3521551
	3522861
	3522862
	3523822
	3524802



MAHLE Original	CUMMINS	MAHLE Original	CUMMINS	MAHLE Original	CUMMINS
213TC18235000	3801482	218-3789	3939719	223-7183	3081489
	3801597	218-3790	3943449	223-7200	3047188
	3801598	218-3791	3943450	223-7201	3907177
	3801598RX	218-3792	4934074	223-7209	4024779
214-1181	3943445	218-3793	3925176	223-7216	3678738
214-1182	3943626	218-3794	3925177	223-8012	3065406
214-1183	3905870	218-3795	3968074	223-8133	202227
214-1184	3922488	218-3796	3924582	223-8147	3822959
214-2188	3901717	218-3797	3928174		3822960
214-2189	3942748	218-3798	3940152		3822961
214-2190	3942749	218-3799	3940153	224-1538	151850
214-2191	4995630	218-3800	3929005		668771
214-2192	4995631	218-7800	195000		AR7510
214-2193	5253888	218-8010	3054600		BM40200
214-2194	3910810	223-1826	191970		BM55100
214-2195	3910811	223-1932	3934047		BM55320
214-2196	3937220	223-1960	3064304	224-2091	BM92170
214-2197	3937219	223-1968	4923748		210360
216-1141	169630	223-3545	187420		212020
216-4120	3972757	223-3564	195360		3019287
216-4121	3900299		3277332		3037413
216-5215	3275354	223-3565	555420	224-2124	200800
216-5243	3940123		555421		AR60740
217-3210	138937	223-3642	3901470	224-2144	3017349
	151068		3913990		3801058
217-3289	154946	223-3644	3970951	224-2197	3028685
	3278173		3901085	224-2262	3801535
217-3332	3033314		3941476	224-2271	3029010
	3033315		4891178		3036669
217-3446	3018818	223-3680	C6204313130		3037820
217-3606	66890	223-3681	6207313130		3803965
217-3916	147967	223-3696	43067	224-2339	3028686
	174213	223-3698	3027105		3801770
	3006456	223-3699	3896894		3804414
	3050369	223-3700	3043909	224-2340	3051554
217-4073	3202210	223-3701	3064295		3801876
217-4082	3073512	223-3717	3901085	224-2341	3051553
217-4092	3064312		3941476		3801766
217-4114	3904408	223-3718	4891178	224-2342	3048650
217-4115	3904409	223-3726	4944137		3095759
217-4116	3906206	223-5525	3920691		3801104
217-4117	3923564	223-5540	3064305		3801703
217-4118	3925863	223-7077	183049		3804409
217-4119	3948102		3032874		AT6000
217-4120	4934063	223-7142	181449	224-2343	3051557
218-3732.003	3032285		215983		3801393
218-3732.010	3032287		2168	224-2344	3801793
218-3732	3017759	223-7158	216879		3051556
	3202314		215090		3801773
218-3787	3904105		3032874	224-2573.020	3908815
218-3788	3906854	223-7183	3011076	224-2573.040	3908816
			3014668	224-2574.020	3903656
					3906209
					A77411



MAHLE Original	CUMMINS
224-2574.040	3903655 3906208 A44712
224-2574	3802060 3906221 3906223 A77410
224-2575.020	3907157
224-2575.040	3907158
224-2575	3907156
224-2743	3069212 3803344
224-2818	3052794 3801954
224-2819	3045948 3801534
224-2820	3048809 3801820
224-2821	3801819
224-2822	3050366 3801818
224-2823	3050480 3801744
224-3002	3802160
224-3003.020	3082092 3802102
224-3003.040	3802094 3802104
224-3003	3802090 3802100
224-3012	3917707
224-3027	126050 129990 130370 136470 200710 AR06130 AR07440 BM58780 BM60670
224-3208	130500 BM60610
224-3220	104240 113470 116450 148910 148920 148960 200680 200750 20667 21122 21582 AR06100 AR06170

MAHLE Original	CUMMINS
224-3220	AR07420 AR07480 BM38630 BM45720 BM72850 BM73210
224-3223	3275431 3275949 554786 556650 AR61140 AR62440
224-3249	3042318 3801533
224-3269	166630 AR3560
224-3276	3803626 3803967
224-3284	3072324 3081269 3803429 3803758
224-3289	3095739 3804414
224-3290	3081268 3083754WP
224-3293	3802657
224-3313	3096681 3631245
224-3317.020	3919044
224-3317.040	3919045
224-3317	3802248 3919041
224-3318.020	3919047
224-3318.040	3919048
224-3318	3917619
224-3319.020	3922574
224-3319.040	3922575
224-3319	3922571
224-3320.020	3926634
224-3320.040	3926635
224-3320	3926632
224-3321	3903579
224-3322.020	3930188
224-3322.040	3930189
224-3322	3930187
224-3323.020	3802764 3928674
224-3323.040	3928675
224-3325	3903895 3908008 3908479 3908636

MAHLE Original	CUMMINS
224-3325	3919564 3919928 3923163
224-3326	3802398 3919565 3919930
224-3327	3923165
224-3328	4019886
224-3330A	3925878
224-3330B	3925879
224-3330C	3925880
224-3330D	3925881
224-3331C	3926963
224-3331D	3926964
224-3332	3943446
224-3333	3096685 3631241
224-3337.020	3802172
224-3337.040	3802174
224-3337	3802170
224-3338	3802248
224-3340.020	3802493
224-3340.040	3802495
224-3340	3802487
224-3341.020	3802564
224-3341.040	3802565
224-3341	3802562
224-3342.020	3802032
224-3342.040	3802034
224-3342	3802030
224-3344	3802747 3934027
224-3345.020	3802092
224-3345	3802090
224-3354.020	3946053
224-3354.040	3946054
224-3354	3800838 3946050
224-3355.020	3946156
224-3355.040	3946157
224-3355	3800781 3942662 3943708 3946153
224-3356.040	3800840
224-3356020	3800839
224-3356	3800838
224-3357.040	3800785
224-3357	3800781
224-3513.020	3802563 3926633



MAHLE Original	CUMMINS
224-3513.020	3926634
224-3513.040	3802565 3926635
224-3513	3802561 3802562 3926632
224-3514.040	3926635
224-3514	3926632
224-3515.020	3926634
224-3515	3802561 3926631
224-3517.040	3919048
224-3520.020	3922574
224-3520.040	3922575 3934047
224-3520	3922571 3934047
224-3522.020	3912049
224-3522.040	3912050
224-3522	3911400
224-3523.020	3907157
224-3523.040	3907158
224-3523	3907156
224-3525.020	3908815
224-3525.040	3908816
224-3525	3907163
224-3526.020	3906209
224-3526.040	3906208
224-3526	3906223
224-3672.020	3949841 3966675
224-3672.040	3949842 3966676
224-3672	3949808 3965497
224-3673.020	3970126
224-3673.040	3970127
224-3673	3970192
224-3674.020	3949843
224-3674.040	3949844
224-3674	3958675
224-3732.020	4938620
224-3732	4938619
224-3771X	3084044 3087634
224-3772X	3084023 3087635
224-3773X	3865113
224-3774X	3087635
224-3775	3803741
224-3776	3803739

MAHLE Original	CUMMINS
224-3777	3804630
224-3802.020	3920691 4931041 4934816
224-3802	3920691 4931041 4931888
225-3293	3802657
225-3321.020	3802032
225-3321.040	3802034
225-3321	3802030
225-3322.020	3805758
225-3322.040	3802759
225-3322	3802757
225-3323.020	3802764
225-3323.040	3802765
225-3330A	3802601
225-3330B	3802602
225-3330C	3802603
225-3330D	3802604
225-3331B	3802461
225-3331C	3802462
225-3345	3802090
225-3354.020	3800839 3800841 3934047
225-3354.040	3800840 3800842 3934047
225-3354	3800838 3934047
225-3355.020	3804990
225-3355.040	3800785
225-3355B	3800782
225-3355	3800781 3919053
225-3513.020	3802563 3926633
225-3513.040	3802565 3926635
225-3513B	3802562
225-3513	3802561 3802563 3926632
225-3514.020	3802563 3926633
225-3514.040	3802565 3926635
225-3514	3919048 3926632
225-3515.020	3802564
225-3515.040	3802565

MAHLE Original	CUMMINS
225-3515	3802561 3926631
225-3520.020	3802493 3934047
225-3520.040	3802495
225-3520	3802487 3934047
225-3523.020	3802102 3934048
225-3523.040	3802104 3934048
225-3523	3802100 3934048
225-3525.020	3802132 3908815
225-3525.040	3802134 3934048
225-3525	3802160
225-3526.020	3802062 3906209
225-3526.040	3802064 3906208
225-3526	3802060 3906223
225-3672.020	4089183
225-3672.040	4089184
225-3672	4089140
225-3673.020	4089670
225-3673.040	4089671
225-3673	4089669
225-3732.020	4956007
225-3732	4955365
225-3754	3800320
225-3780.020	3802925
225-3780.040	3802926
225-3780	3802927
225-3781.020	4089422
225-3781.040	4089423
225-3781	4025072
225-3782	4089613
225-3783	4955237
225-3784	4089646
225-3785	4955204
225-3786	4309095 4955190
225-3787	3800318
225-3788	4089963
225-3789.020	3800761
225-3789.040	3800760
225-3789	3800756
226-1506	AR07378



MAHLE Original	CUMMINS
226-1506	AR07379
	AR07383
	AR07395
	AR07396
	BM68440
	BM98931
	BM98932
226-1571	AR11909
226-1646	3016890
	3801872
226-1745	3801771
226-1747	3801795
226-1748	3801765
226-1749	3801768
226-1750	3801777
226-1760	3801775
226-1769	3801764
226-1770	3801774
226-1771	3801776
226-1772	3801779
226-1773	3801780
226-1774	3801781
226-1775	3801873
226-1792	3803213
226-1793	3803214
226-1794	3803212
226-1796	3803211
226-1821	3803346
226-1822	3803219
226-1831	3801817
226-1832	3803216
226-1833	3801824
226-1834	3803215
226-1835	3801823
226-1836	3801823
	3803217
226-1837	3801822
226-1839	3801746
226-1840	3801746
	3803209
226-1841	3801956
226-1842	3801956(20/40)
226-1847	1111765
	3801765
226-1848	3800302
	3803221
	3804379
226-1851	3800801
	3801126
	3801543
	3803465
	3803632

MAHLE Original	CUMMINS
226-1851	3803973
226-1852	3800800
226-1860	3801780
226-1862	3801774
226-1863	3801779
226-1873	3803210
226-1883	3801776
226-1884	3801779
226-1894	3802388
226-1899	3802406
226-1903	3803759
226-1905	3804444
226-1907	3804474
226-1908	3803759(20/40)
226-1911	3803755
226-1912	3803755(20/40)
226-1917	3802811
226-1947	3802398
	3802404
226-1948	3802400
226-1949	3802396
	3802402
226-1950	3802398
	3802401
226-1951	3802403
226-2035	3800328
	3802429
	3934593
226-2039	3803742
	3804501
226-2040	3803740
	3804639
	3804653
226-2041	3804636
226-2070	3800319
226-4414	210130
	213740
	3042763
	3801826
226-4419	182020
	184400
	BM98226
226-4456	203170
	AR8069
226-4477	3035812
	3046325
	3803219
226-4486	3054936
	3065405
	3803219
226-4490	3900396
	3904166

MAHLE Original	CUMMINS
226-4496	3802370
	3907792
226-4544	3005984
	3007525
	3011885
	3022157
226-4546	3034816
	3040882
	3064627
	3080760
	3803703
226-4547	3802407
226-4559	4009220
	4024767
	4024779
226-4561	4009233
	4024775
226-4566	3800328
226-4596	4101507
228-2317	3910739
229-1874	3025518
	3026975
	3042568
	3049024
229-1923	129860
	3023228
	3801030
229-2233	3036697
	3801448
229-2429	3929885
229-2430	3929039
229-2431	3968381
229-2435	3923478
	3924471
229-2440	3929734
229-2441	3942567
229-2442	3930378
229-2444	3979506
229-2445	3945033
229-2446	3967256
229-2447	3938163
229-2448	3966430
230-3057	3935892
230-3058	3966658
230-3059	3941137
230-3060	3919435
247-5001	3000140
	3608833
247-5002	194840
	AR61102
247-5003	201950
	3041263
	AR60473



MAHLE Original	CUMMINS
247-5003	AR61102
247-5049	3029340
247-5066	195240
247-5068	101109 3029341
247-5096	3917320 39174443 3918986
247-5130	3907804 3908032 3929037
247-5133	3819989
247-5139	3096362
247-5177	3907803 3908031 3929036
247-5178	3064291
247-5180	3627642 3629276
247-5183	3073707
247-5220	3005357 3201082 3347569
247-5228	3972764 4980462
247-5237	3608889 3681911 4925762
286 TC 14015 000	3522778 3528742 3530714 3530772 3535414 3535415 3535416 3535417 3535418 3535420 3535421 3535454 3538188 3538277 3802289 J919117
286 TC 14015 010	3802289 J907026 J907028 J907029 J919113 J919115 J919117 J919121
286 TC 14234 000	3520030 3522900 3528743 3528744

MAHLE Original	CUMMINS
286 TC 14234 000	3530721 3535381 3535422 3535423 3535424 3535425 3535426 3535427 3536677 3802290
286 TC 14234 010	3520030 3522900 3528743 3528744 3530721 3535381 3535422 3535423 3535424 3535425 3535426 3536677
286 TC 15235 000	3525238 3803024
286 TC 15235 010	3525237 3525238 3803024
286 TC 15267 000	3524034 3524035 3528777 3528778 3530716 3535456 3535457 3590079 3596988 3802126 3802303 3910877 3919201 J919199
286 TC 15267 010	316468 3524034 3524035 3802303
286 TC 15390 000	3800709 3802798 6732818650
286 TC 16022 000	3802391 CBU1975
286 TC 16102 000	3803109
286 TC 16102 010	3034332 3519095 3521803 3803109

MAHLE Original	CUMMINS
286 TC 17385 000	3802906
286 TC 21001 000	4955306 4955306RX
286 TC 21002 000	3800799RX
286 TC 21003 000	3802558 3804964
286 TC 21006 000	3800471
286 TC 21007 000	3802678 3802992
286 TC 21008 000	3802946
286 TC 21009 000	3800397
286 TC 21010 000	4089392
286 TC 21101 100	2835911 2837647 2839682 4043137 4046837 4955361 4955361NX
286 TC 21102 000	3538351 3538352 3804858
286 TC 21103 000	3534286 3592224 3592225 3592226 3800990
286 TC 21201 000	2768263 2842411 2843886 2843887 2881993 3768263 3768264 3768267 4036720 4041076 4043214 4043225 4955305 4955395
286 TC 24275 000	3801489
286 TC 24275 010	3504696 3519092 3521802 3801489
286 TC 24516 000	3801591
286 TC 24516 010	NA



MAHLE Original	CUMMINS	MAHLE Original	CUMMINS	MAHLE Original	CUMMINS
286 TC 24555 000	3803583 3804800	4068C	3921394	4961-3	3921397
286 TC 24556 000	3803584 3804801	4068D	3283000 3283337 3918306 3921396	4961	3282999 3283333 3283569 3904334 3907054 3915726 3917354 3921393
286 TC 24557 000	3803553 3803585 3804308 3804502	4068E	3283339 3918307	54123	3349818 3411461 4058790
286 TC 24929 000	3800383	42140.020	4955366 4955480	54126	3907682 3911342 3921216 3921850 3928168 3931019 3935585 3938267
286 TC 25004 000	4089642	42140.040	4955366	54132	3943366 3943902
286 TC 25042 000	4036836 4037002 4089797	42140	4955366	54145	3090198 3166289 3628407 3634664
286 TC 25444 000	4089754	46773	113985 141744 204829 215445 Y141744 Z113985	54146	2864080 3044580 3328634 3328925 3882568 3883519 3883718 3883927 3893927 3899378 4022500
286 TC 31101 000	3537136 3537137 3802770 4035761	47243	104038 160603 X158845	54174A	3977063
286 TC 31102 000	3537133 3537134 3537135 3537136 3537137 3598176 3802770 4035761	47542	211255 3004316	54174B	3977063 3977063(.50MM)
286 TC 31104 000	3535619 3535620 3535636 3535638 3537127 3537128 3538677 3802810 4044188 4044990	47543	141743 176927 187863 208069 212227 3010457 AR7709 S16109	54174	3942368 3945803 3977063
286 TS 21101 100	2835911 2837647 2839682 4043137 4046837 4955361 4955361NX	48068	3006737	54224	3074982 3076189
3934	212224	48164	3020183	54556A	2830705 3966342
4068C	3282805 3283335 3283570 3903653 3907057 3908997 3915730 3917357 3917358 3918305	48383	3802820 3804355 3804899 3900709 3904353 3906080 3937111	54556	2830704 3966343
		48384	3970548 4089342	54557A	3954876 3958645
		49113	S16110	54557	3954875 3958644
		49276	185747	54774	4932210
		49575	3081880	54775	3685639 3685834
		4961-2	3283001 3283336 3904335 3907055 3915720 3917355 3921395		
		4961-3	3283003 3283338 3904336 3907056 3915721		



MAHLE Original	CUMMINS
54775	4926316
601-8034	AR10172
601-8035	3015273
	3045882
	3077770
	3609837
	3821572
	3821575
67622	3328698
	3804744
	3892021
	4955665
67623	3027949
	3032012
	3800643
	3800968
	3801139
	3801628
	3803354
67633	3161772
	3803894
67639	3353977
	3908139
	3908141
	3921927
	4025270
67648	3031445
	3049464
	3803573
	3895062
67650	3041804
	3049465
	3803574
	3895063
	3895075
67652	3803896
67658	3078292
	3800616
	3803720
67857	3926126
67881	4965569
67882	4955383
67883	4955372
72009	70675
72010	68061A
	E44360
	ES119
72011	131026
	E44008
72012	100478
	68061
72013	3102109
72018	145504
72022	3052586
72112	134736

MAHLE Original	CUMMINS
72112	3010937
72113	70842
	ES69
72114	145527
	Y113915
72115	43696
72116	3929457
	43696A
72121	3042544
72122	3029847
72212	3000521
	43463
72214	109080
72216	69043
	ES29
72217	212161
	3010157
72218	6891
72219	100328
	145577
72222	43463A
72224	68642
72230	X100716
72232	S86841
72239	Y106181
72327	70624
72329	69760
	EH42883
	S16144
72336	69653
72607	4895710
72621	3678846
8-5506	3942755
8-5507	3929028
8-5508	3921954
8-5511	3918777
8-5512	5284141
B32477	3104232
B32486	3411879
	3679574
	4026523
	4101882
	4985661
B32487	3679934
B32488	3411878
	3679573
	4026522
	4101881
	4985660
B32489	3679930
B32490	3679932
B32491	3679931
B45411A	3901097
	3921640

MAHLE Original	CUMMINS
B45893	3901178
	3915707
	3927642
B45894	3064281
B45902	3942572
	3945438
B45903	3942571
	3942989
B45928	3073510
	3328781
B45953	3957912
B45955	3948578
B45962	3955393
B45963	3955394
B45977	135612
	156641
B46021	4026660
B46022	4026791
C31421	3923331
C31858	3954829
CB-1073P-10	189771
CB-1073P-20	189772
CB-1073P	189770
CB-1226P-10	214951
CB-1226P-20	214952
CB-1226P-30	214953
CB-1226P-40	214954
CB-1226P	214950
	3150011
CB-1357P-10	205841
CB-1357P-20	205842
CB-1357P	205840
CB-1382P-.25MM	3016761
CB-1382P-.50MM	3016762
CB-1382P-.75MM	3016763
CB-1382P	3016760
CB-1409P-.25MM	3901431
CB-1409P-.50MM	3901432
CB-1409P-.75MM	3901433
CB-1409P	3901430
CB-1413P-.25MM	3901171
CB-1413P-.50MM	3901172
CB-1413P-.75MM	3901173
CB-1413P	3901170
CB-1616P-10	3055146
CB-1616P-20	3055147
CB-1616P	3055145
CB-1619P-10	3047391
CB-1619P-20	3047392
CB-1619P	3047390
CB-1631P-10	157621



MAHLE Original	CUMMINS
CB-1631P-10	3012361
CB-1631P-20	157622 3012362
CB-1631P-30	157623 30123623
CB-1631P	157620 179800 3012360
CB-1873AP	3969562 4893693
CB-1908P-.25MM	4090016
CB-1908P-.50MM	4090017
CB-1908P	4089405
CB-1921P	4993834
CB-1923P	3950661 3966244
CB-296P-10	203671
CB-296P-20	203672
CB-296P-30	203673
CB-296P-40	203674
CB-296P	203670 42671 42679 426791 43365 5894 NH42679
CB-470P-10	107441 107741 127731
CB-470P-20	107442 107742 127732
CB-470P	127730 43233 BM15599
CB-625P-10	139621 195231 203661 303661 AR51661
CB-625P-20	139622 195232 203662
CB-625P-30	139623 195233 203663
CB-625P	139620 195230 203660 AR51479
CB-965P-10	180071 200601
CB-965P-20	180072

MAHLE Original	CUMMINS
CB-965P-20	200602
CB-965P	180070 200600
CB-971P	157620 179800 3012360
CB-986P	203260
CB-994P-10	556351
CB-994P	556350
CS3488K	3802075
CS3980	3277744 3801657
CS4068	3802029 3802267 3802376
CS4961-1	3802019 3802266 3802375
CS4961	3802375
CS4963A	3801007 4089391
CS4963C	3801719 3804301 4089390
CS4963	3801006 4089390
CS54123-1	3803376 3803613 4025069
CS54123-2	3800618 3804635 4025068
CS54126-1	3800348 3800558 3802087 3802354 3802389 3806183
CS54132-1	3800343
CS54132	3800704 3803294 3803453 3803572 3804749 4089479 4089998
CS54147-1	OP2035-01 OP2037
CS54147	3803404
CS54174-1	3800487 3802980
CS54423	NA
CS54494A	NA
CS54494B	NA

MAHLE Original	CUMMINS
CS54494C	NA
CS54556	4089173
CS54774-1	4955355
CS54775-1	4955590
CS54775-2	4955591
CS5858-13	3014459
CS5858-3	3803041
CS5858-4	3801051 3801335 3801468
CS5858-5	3801235
CS5858-6	3801454
CS5858-9	3801470
CS5905A	NA
CS5905	NA
D32483	2830977
EK3518-1	3099083 3801330 3804276
EK3518-2	3801330 3804276
EK3520-1	3801332 3801451
EK3522VR	3099083 3349820 3801754 4024919 4024920
EK3523VR	3099083 3349820 3803040 4024918
EK3539	3070136 3070137 3070138 3349820 4089369 4089370 4089371 4089372
F10142	3912220
F32482	4933225
G32461	3979769
G32463	3977338
G32479	3949910
G32480	4937829 4942435 4943533 5266801
G32481	3958716
G32485	3104229 3682551
G32492	3104230



MAHLE Original	CUMMINS	MAHLE Original	CUMMINS	MAHLE Original	CUMMINS		
GS27706	135600 186780	GS33616	3678603 3678786 3883284 3922794 3928624 3977338 4931365	HS4961	3802240 3802361 3804896		
GS30376	190849 3069177	GS33617	3101268 3102314 3627695 3678603 3678762 3678786 3678912 3679139 3680324 3682177 3684284 3684359 3685535 3922794 3935171 3963988 4010519 4026884 4934278 4934279 5264570	HS4963A	3800728 3801005 3803598 3804296		
GS33337	193736 3800064			HS4963B	3800730 3803600		
GS33484	3906659 3937142 4062328 4890926			HS4963	3800727 3803597 3804295		
GS33485	3977913			HS54123-1	3803445 3803607 3803714 3804290 4024926 4089369		
GS33491	3909409			HS54123-2	3803374 3803608 3803715 3804291 4024927 4089370		
GS33493	3927063					HS54123-4	3804741 4024929 4089372
GS33538	3070136 3070137 3070138					HS54123-5	3801397 3804272 4024955 AR45625
GS33582	3883284 3901356 3902425 3906773 3931350 3937706			HS54123	3803375 3803609 3803716 3804287 4024925 4024928 4089371		
GS33583	3519807 3709861 3883284 3922794 3931824 3937706			HS3932X	3277753 AR63500 AR63512 AR63514 AR63515	HS54126	3800750 3802086 3802268 3802341 3802360 3802452 3802624 4025271
GS33584	3678603 3678786 3922794 3931824 3949530 4931365			HS3980	3277752 3801657		
GS33609	3330537 3330538 3347937 3347939	HS4068A	3802364	HS54132	3800342 4025238 4089958		
		HS4068B	3802245				
GS33613	109080 212161 3049221 3066211 3101268 3102314 3104229 3104230 3678603 3678770 3678925 3680324 3682076 3682360 4010519 4952644	HS4068LH	3802243 3804897	HS54146-1	3801141 3801641 3803463 3804843 4024992 4025155		
		HS4068	3802025 3802026 3802226 3802243 3802363 3804897 4089649				
		GS33614	3976371 3977393	HS4961-2	3802017 3802217 3802241 3802362	HS54146-2	4025157
				HS4961-3	3802018 3802218 3802242		
				HS4961	3802015 3802016 3802216		

MAHLE Original	CUMMINS
HS54146-2	4089478
HS54174-1	3800853
	3802981
	4089790
	4090035
	4090037
HS54423	NA
HS54425B	NA
HS54556A	3966342
	4089263
HS54556	3966342
	3966343
	4089172
	4089781
	4089819
HS54557A	3958645
	4089263
HS54557	4089172
	4089819
HS54774-1	4955354
HS54774-2	4955523
HS54774-3	4955229
HS54775-1	4955595
HS54775-2	4955596
HS5858-15	3801328
	3801329
	3801335
	4024958
HS5858-16	3801451
	3801839
	3803983
	4024920
HS5858-1	3801324
	4024957
	AR12684
	AR12694
HS5858-3	3801330
	3801335
	3801339
	3801341
	3804276
	4024945
	4024946
HS5858-4	3801330
	3801339
	3801341
	3804276
	4024945
	4024946
	4058790
HS5858AH	3803444
	3803606
	3803713
	3804286
	4024924

MAHLE Original	CUMMINS
HS5858AH	4089368
HS5858A	3803040
	3803981
	4024918
HS5858B	3801754
	3803982
	4024919
HS5905A	NA
HS5905	NA
JV1186	3802820
	3901856
	3902369
	3903475
	3904492
	3905143
	3910500
	3914385
JV1622	3901019
	3904323
	3909410
	3914386
	3928493
	3934486
	3938159
	4947667
JV1689	3006737
	3067616
JV1690	3357693
	3901019
	3914386
	3928493
	3938159
	3946532
	3957492
	3970548
	4947667
JV5017	3803894
	3804304
	3804744
JV5072	3916131
	3916401
	3918673
	3937111
	3938156
JV5073	3027692
	3027714
	3032011
	3037349
	3058148
	3801138
	3801627
	3803576
	3803896
JV5074	3281721
	3921927
JV5075	215705

MAHLE Original	CUMMINS
JV5075	3004316
	3006736
	3020183
	3020186
	3065115
	3067618
	3076203
	3413082
	4058949
JV5076	3802820
	3947814
JV5097	3802820
	3902365
	3907836
	3914384
	3916131
	3931351
	3938156
K31420	3906698
KC 191	3890706
	3903410
	3925274
	3930942
	3935274
KC 28	154709
	154710
	154711
	154744
	156171
	156172
	202893
	252811
	3300901
	3315804
	331584
	3315844
	3315845
	3315847
	891733
	BM68669
	BM78669
	BM78672
	CF105
	D156172
KC 6	3890707
	3903640
	3931065
	3964763
	FF5052
KX 357	4935205
MB-2598P	182200
	182320
	214420
	214430
MB-2599P	182210
	182400
	214440

MAHLE Original	CUMMINS
MB-2599P	214450
MB-3104A	3944153 3944158 3945930
MB-3104P	3901590 3916840
MB-3109A	3978822
MB-3110A	3802520
MB-3110P	3929016 3929021
MB-3964A	3945929
MIS19751	3947530 3949910 3958716 3963990 3972753 3979769 4933235 4940849
MS-1060P-10	BM99831
MS-1060P-20	BM99832
MS-1060P-30	BM99833
MS-1060P	BM99830
MS-1061P-10	AR62184 BM99821
MS-1061P-20	BM99822
MS-1061P-30	BM99823
MS-1061P	BM99820
MS-1265P-10	AR03641
MS-1265P-20	AR03642
MS-1265P-30	AR03643
MS-1265P	AR03640
MS-1531P-10	3801271
MS-1531P-20	3801272 AR07092
MS-1531P	3801270 AR07090 BM29528
MS-1625P-10	AR12271
MS-1625P-20	AR12272
MS-1625P	AR12270
MS-1687P-10	3030217 3801261 AR07111 AR07241 BM71751
MS-1687P-20	3030218 3801262 AR07112 AR07242 AR07272 BM71752
MS-1687P-30	3030219

MAHLE Original	CUMMINS
MS-1687P-30	3801263 AR07113 AR07243 BM71753
MS-1687P	3030216 3801260 AR07110 AR07240 BM17799 BM28977 BM28978 BM71750
MS-1716P-.25MM	3801151
MS-1716P-.50MM	3801152
MS-1716P-.75MM	3801153
MS-1716P	3801150 4025125
MS-1717P-.25MM	3802071 4955860
MS-1717P-.50MM	3802072 4955861
MS-1717P-.75MM	3802073 4955862
MS-1717P	3802070 4955352 4955853 68002987AA
MS-1718P-.25MM	3802011
MS-1718P-.50MM	3802012
MS-1718P-.75MM	3802013
MS-1718P	3802010
MS-1740P-.25MM	3802211
MS-1740P-.50MM	3802212
MS-1740P	3802210
MS-2018P-10	AR12251
MS-2018P	AR12250
MS-2019P-10	3018211
MS-2019P	3018210
MS-2272P	4025224
MS-2287P-.25MM	C6204298100
MS-2287P-.50MM	C6204288100
MS-2287P-.75MM	C6204278100
MS-2287P	3800872 C6204218500
MS-2297P-.25MM	4089845
MS-2297P-.50MM	3800298 4089846
MS-2297P	3800298
MS-2305A	4955855
MS-2318P-.25MM	4025121
MS-2318P-.50MM	4025122
MS-2318P-.75MM	4025123
MS-2318P	4025120

MAHLE Original	CUMMINS
MS-2328P-.25MM	3802071 4955860
MS-2328P-.50MM	3802072 4955861
MS-2328P-.75MM	3802073 4955862
MS-2328P	3802070 4955352 4955853 68002987AA
MS-2329P	4025224
MS10141	3927154
MS12242X	130653 132977 142234 3020943 3069100
MS12435	3902002 3914029 3931347 3938152
MS19225	3955339
MS19355	3947530 3969988
MS19374	3936993
MS19719	3929012
MS19737	3682710 3682940 3683940 4907447 4907448
MS19740	4907446 4907447
MS19741	2830444 3955339 5266422
MS19750	3678770 3682177
MS19751	3947530 4933235 4940849
OC 1001	3903264 3908615 3908615 3914395 3932217
OC 23	148459 162097
OC 282	3021658 3304232 3309637 3313283 3313284 3313289 3889311
OC 304	3318853

MAHLE Original	CUMMINS
OC 304	3401544
OC 320	10521
	3155618
	3890708
	3890710
	3903264
	3908615
	3914395
	3932217
	3937743
	B3908615
OC 482	3318853
	3401544
	3825970
OC 502	4989314
OC 508	3307885
	3310169
	3313282
OC 585	3890709
	3890712
	3903224
	3903324
	3908616
	LF3345
OS21794	196949
OS21996	157551
	178788
	3027983
	3029847
	3031469
	3032861
	3099083
	5083
	H4799
	H5083
OS32139	3902425
	3911536
	3914383
	3920773
	3931346
	3937072
	3959052
OS32172	3900393
	3900947
	3906027
	3911535
	3931602
	3938162
OS32201	3349820
OS32205	3906611
	3911818
	3914017
	3934044
	3938160
OS32209	3882433
OS32210	3252363

MAHLE Original	CUMMINS
OS32219	3401290
OS32278	3949562
	3957486
	3958165
OS32288	NA
OS32332	NA
OS32365	NA
OS32374	NA
OS32376	4026684
OS32381	3287561
	3949562
	4936940
	4943167
OX 80	100130
PS38801	3284623
	3928832
S40856	AR05100
	AR05130
	AR62258
S41082	3278723
S41216	AR10680
S41314	AR04970
	AR12098
S41371	3803961
S41416	NA
S41517.020	3802042
	3806241
S41517.040	3802044
	3806242
S41517	3802040
S41518	3802050
	3802056
	3802230
	3802421
	3802746
	3804990
S41677	3802258
	3802429
S41882	3631248
	3803472
	3804571
	4089500
	4955975
	AR10680
S41885	4089793
	AR02860
	AR11930
S41886	3803990
	3804500
	4024942
S41887	3803358
	3804500
	4089489
S41888	3014149

MAHLE Original	CUMMINS
S41888	3016786
	3801043
	3801056
	3801065
	4089810
	AR03540
	AR05030
	AR05060
	AR05110
	AR06680
	AR06711
	AR11671
	AR51340
S41889	3801755
	3803471
	4089811
S41901	3802538
S41905.020	3802863
	3802917
	3806229
S41905.040	3802864
	3802918
	3806230
S41905	3802750
	3802831
	3802919
S41934	3803977
S41941.020	3806201
S41941.040	3806203
S41941	3804990
S42140.020	4934282
	4955480
S42140.040	4955366
S42140	3970518
	4955366
S42150	4089154
S42153	2881682
S42162	3800912
S42163	4089644
S42165.020	3802917
S42166.040	3802423
S42170.020	3804979
	3806201
	4089181
	4089614
S42170.040	3804986
	3806203
	3949580
	4089182
	4089419
	4089615
S42170	3804947
	3947678
	3959079
	4089258

MAHLE Original	CUMMINS	MAHLE Original	CUMMINS
S42170	4089460	TW-457S	3822062
S42188.020	4955251		4023203
	4955480		4926019
S42188	4955251	TW-687S	6204218500
S42221.020	3802052	TW-691S	3680202
	3802232	TW-703S	4023083
	3802422		4023203
S42221.040	3802054		4926017
	3802234		4926019
	3802423	VS28794	187589
S42221	3802050		3017750
	3802056	VS38793TC	149651
	3802230		3009999
	3802421		3016453
	3802746		3020980
	3937393		3044514
	3938177		3054841
S51307.010	AR73351	VS50215S	3902666
S51307	AR73350		3930906
SH-1379	70437	VS50316	3883220
SH-1394S	3031037	VS50317	3935878
	3278345	VS50320	3067953
SH-1402	3901685		3069687
	3943199		3076284
	3945329		3076292
SH-1404	3901306		4058981
SH-1529S	3801106	VS50321	3066311
SH-1773S	3820566	VS50416	3073966
SH-1773	3820566		3935449
SH-1981	3940059		3954324
SH-2136	36 805 80	VS50419	3955109
SH-2137	36 805 81		3963379
SH-2138	40 264 23	VS50420	3049187
SH-2165	3002834	VS50422	3027881
SH-2183	3901685		3035253
	3943199		3039114
	3945329		3883102
SH-568S	BM27253		3892667
T27119	3935449		3896697
TW-369S+10	145101		4070529
	157281	VS50424	3058532
	3019219	VS50454	3034855
	3067568,(010)	VS50543	3975641
	43219S		4992982
TW-369S+5	3067568,(005)		5264950
TW-369S	157280	VS50577	3282133
	3019218		3902466
	3067568		3905449
	43219	VS50579	3068135
TW-448S	173640		3069151
	553670		4920093
TW-449S	159960	VS50625	4026507
TW-457S	3028107		
	3161653		

DETROIT DIESEL	MAHLE
12267798	47243
1815674C1	226-4567
1817247C91	S41781
1817562	54189
1817867	67815
1822245	B45913
1822322	223-7211
1822389C91	CB-1659P
1822486C91	CB-1659P-10
1822487C91	CB-1659P-20
1823313C1	224-3350
1823875	211-4155
1823925C1	B45987
1824840	211-4154
1824966C92	226-1962
1824970C99	HS54189
1825436	MS19824
1825540	212-1440
1825602C91	VS05017
1826587	OS32226
1830720C94	HS54189
2146734	247-5014
2147950	224-2260
23421468	226-4583
23500480	B45737
23500501	211-2462
23500881	226-1739
23501572	HS54157
23501574	224-3305
23501576	211-3345
23501577	211-3313
23501610	46844
23502020	226-4466
23502021	226-4466
23502022	226-4466
23502023	226-4464
23502024	226-4464
23502025	226-4464
23502067	211-2551
23502068	211-2552
23502165	247-5014
23502366	247-5044 247-5073
23502367	247-5043
23502367(.010)	247-5121
23502368	247-5043
23503042	098 TC 21102 100
23503732	098 TC 24131 000
23503747	S41891

DETROIT DIESEL	MAHLE
23503938	226-1738
23504728	S41410
23504732	247-5124
23504732(.010)	247-5124 247-5125
23504931	226-4220
23504932	226-4220
23504933	226-4220
23504936	226-4466.001
23504966	098 TC 24130 000 098 TC 24130 010
23504967	098 TC 24130 000 098 TC 24130 010
23505278	226-4558
23505303#2	226-1633
23505304	226-1633
23505306	226-1633
23505306#2	226-1633
23505306#3	226-1633
23505307#3	226-1633
23505308#2	226-1220
23505308#3	226-1220
23505309	226-1220
23505313	226-1946
23505427	224-2360
23505729	S41892
23505992	OS32382
23506350	211-3313
23507238	216-5118
23508405	098 TC 24133 000
23508406	098 TC 24133 000
23508410	098 TC 24132 000 098 TC 24132 010
23508411	098 TC 24132 000 098 TC 24132 010
2350900	224-2260
23509378	224-2260
23511129	CB-1596P
23511133	CB-1596P-10
23511135	CB-1596P-20
23511625	226-1946
23511627	226-1946.010
23511666	MS19666
23511870	GS33448
23512413	224-2260
23512675	CS12197X
23512676	FS12197H
23512680	FS12197JT
23512681	FS12197K
23512688	FS12232A

DETROIT DIESEL	MAHLE
23512689	FS12232B
23512690	FS12232C
23513069	224-2360
23513578	67744
23514261	226-1739
23514285	226-4556 226-4573
23514465	OS32382
23514608	47095
23514970	S40653
23514971	S41659
23515581	CB-1792P
23515582	CB-1792P-.25MM
23515583	CB-1792P-.50MM
23515585	CB-1792P
23515586	CB-1792P
23515598	247-5223 247-5236
23515599	247-5236
23515635	098 TC 24136 000
23515636	098 TC 24136 000
23515894	098 TC 24133 000 098 TC 24133 010
23516300	226-1946
23516302	226-1946.010
23516309	224-2360
23516310	224-2360
23516311	224-2260
23516322	VS0278
23516431	098 TC 24136 000
23516483	B45895
23516636	SS48005
23516681	224-3305
23516861	224-2360
23516862	224-2360
23516863	224-2260
23517623	FS12232A
23517624	FS12232B
23518355	67745
23518571	217-4076
23518588	098 TC 24137 000 098 TC 25606 000
23518597	098 TC 24137 000 098 TC 25606 000
23518668	OC 114
23518695	098 TC 24133 000
23518986	226-1946
23518988	226-1946.010
23520765	CB-1836P-.25MM
23521167	098 TC 24133 000



DETROIT DIESEL	MAHLE
23521649	223-1850
23521781	223-5511
23521802	224-3583
23521992	224-2360
23522026/23522070	224-2260
23522070	224-2360
23522188	098 TC 25592 000
23522189	098 TC 25592 000
23522190	098 TC 25592 000
23522191	098 TC 25592 000
23522269	VS50404
23522279	OS32382
23522306	098 TC 25592 000
23522312	098 TC 25592 000
23522475	224-2360
23522491	226-1945.010
23522495	224-2360
23522497	224-2260
23522519	226-1946
23522535	224-2260
23522588	54157
23522781	098 TC 25592 000
23522872	223-1933
23522947	226-1946
23522951	226-1946.010
23522953	226-1945
23522954	S41407
23522955	S41407 S41900
23523040	098 TC 25592 000
23523197	098 TC 24137 000
23523392	226-4556
23523478	098 TC 25592 000
23523930	B45895 B45914
23523948	226-4556 226-4573
23524100	098 TC 21002 100
23524249	S41410
23524339	226-1739
23524341	226-1738
23524349	S41410
23524843	226-4583
23524857	CB-1902P
23525168	223-1851
23525462	098 TC 25592 000
23525463	098 TC 25592 000
23525859	CB-1288P-20
23526016	098 TC 25592 000

DETROIT DIESEL	MAHLE
23526017	098 TC 25592 000
23526052	HS54157
23526141	CB-1902P
23526142	CB-1836P CB-1836P-.25MM CB-1836P-.50MM
23526271	098 TC 25592 000
23526272	098 TC 25592 000
23526679	098 TC 25592 000
23526680	098 TC 25592 000
23526681	098 TC 25592 000
23526682	098 TC 25592 000
23526683	098 TC 25592 000
23526684	098 TC 25592 000
23526685	098 TC 25592 000
23526692	098 TC 25592 000
23526852	HS54157
23527065	CB-1836P-.25MM
23527066	CB-1836P-.50MM
23527225	247-5224
23527774	224-3740X
23527775	224-3740
23527965	247-5236
23528029	098 TC 24133 000
23528051	098 TC 21101 000
23528052	098 TC 25592 000
23528053	098 TC 25592 000
23528054	098 TC 25592 000
23528055	098 TC 25592 000
23528058	098 TC 25592 000
23528059	098 TC 25606 000
23528060	098 TC 25592 000
23528062	098 TC 25592 000
23528065	098 TC 21101 000
23528066	098 TC 25592 000
23528067	098 TC 25592 000
23528069	098 TC 25592 000
23528493	223-4000
23529997	224-3743X
23530226	226-4556
23530421	54157
23530554	TW-696S
23530555	TW-696S
23530595	224-3738X
23530596	224-3738
23530597	224-3739X
23530598	224-3739
23530599	224-3627 224-3628
23530601	224-3629

DETROIT DIESEL	MAHLE
23530601	224-3630
23530660	224-3738
23530661	226-2043
23530662	224-3739
23530663	226-2044
23530664	224-3740
23530665	226-2045
23530666	224-3627
23530668	224-3629
23530669	226-1992
23530727	224-3629 224-3630
23530766	224-3741X
23530767	224-3741
23530768	GS33390 GS33539
23531032	098 TC 21002 000
23531249	226-4556 226-4573
23531250	226-4583
23531252	S42133
23531501	226-4556
23531502	226-4556 226-4573
23531504	226-4583
23531604	CB-1662P CS54157A MS-2093P OS32204 TW-600S TW-700S
23531605	CB-1792P CS54157A MS-2093P OS32204 TW-600S TW-700S
23532045	54157
23532254	CB-1902P-.50MM
23532332	FS54157
23532333	HS54157
23532361	226-4558
23532450	226-4558
23532468	226-4558 226-4583
23532554	226-1992
23532556	226-1940
23532561	226-1990
23532562	226-1992
23532720	CS54157A FS54157
23532882	224-3628

DETROIT DIESEL	MAHLE
23532883	226-1991
23532884	224-3630
23532926	MS-2313P
23533250	MS-2310P-20 MS-2313P-20
23533251	MS-2310P-10 MS-2313P-10
23533252	MS-2093P MS-2310P MS-2313P
23533254	MS-2313P-20
23533255	MS-2313P-10
23533257	MS-2310P-20 MS-2313P-20
23533258	MS-2310P-10 MS-2313P-10
23533259	MS-2093P MS-2310P MS-2313P
23533261	MS-2313P-20
23533262	MS-2313P-10
23533263	MS-2093P MS-2313P
23533452	226-2046
23533453	224-3741
23533510	S42132
23533565	CB-1902P-.25MM
23533566	CB-1902P-.50MM
23533567	CB-1902P-.25MM
23533568	CB-1902P-.50MM
23533688	TW-696S
23533983	MS19666
23534264	226-4556
23535280	MS-2310P
23535700	GS33633
23535741	CB-1902P
23535742	CB-1902P-.25MM
23535743	CB-1902P-.50MM
23535745	CB-1836P
23535746	CB-1836P-.25MM
23535747	CB-1836P-.50MM
23536442	HS54157
23536443	FS54157-A
23537111	GS33633
23537294	226-1993
23537307	223-1933
23537594	226-1993
23538406	54157
23539049	223-1933
23539104	OS32382
2585838C91	098 TC 24137 000

DETROIT DIESEL	MAHLE
28653230	224-2272
33528064	098 TC 25592 000
5100437	211-2439
5101101	218-7373
5101102	218-7373
5101138	72214
5101166	223-7186
5101677	247-5009
5101677(.010)	247-5022
5102045	224-2469
5102315	226-1220
5102317	226-1220.010
5102318	226-1220.020
5102779	224-2485
5102780	224-2485
5102795	226-4464
5103264	247-5005 247-5024
5103264(.010)	247-5005 247-5114
5103763	CB-1265P
5104018	VS39862
5104019	VS39864
5104081	VS39863
5104701	GS33448
5106136	211-2439
5106990	223-3634
5107176	226-4470
5107200	CB-555P
5108623	224-2272 224-2485
5109925	211-2536
5111327	217-3832
5111336	211-2462
5111337	216-5234
5111339	212-1079
5111424	SH-477W
5113953	226-4466
5114288	211-2462
5114335	46843
5115191	224-2485
5115454	47095
5116028	224-3282
5116048	CB-674P
5116181	223-3634
5116187	CB-1265P
5116189	224-2486
5116197	MB-2522W TW-412S
5116224	46289

DETROIT DIESEL	MAHLE
5116229	47905
5116257	OS31584
5116361	218-7817
5117005	MB-2523W MS-1385P MS-1385P-10 MS-1385P-20 MS-1385P-30 MS-1386P-10 MS-1386P-30 TW-402S
5117011	MB-2687P
5117231	OS31790
5119457	VS38767
5119458	VS39855
5119898	218-7373
5119992	217-3832
5121256	223-7140
5123329	212-1110
5125642	OS31790
5129919	217-3946
5132155	GS27706
5132803	226-4415
5133852	46843
5138000	224-2486
5138682	224-2485
5138796	46289
5140660	46843
5143405	VS39858
5143406	VS39859
5143407	VS39866
5143496	VS39859
5144019	212-1110
5144188	247-5190
5144836	224-2260 224-2360
5144839	224-2360
5144872	224-2272
5146733	247-5023
5146733(.010)	247-5006 247-5113
5147506	VS39855
5147651	224-2360
5147994	VS38767
5148489	211-2439
5148490	218-7813
5148505	226-4467
5149042	211-2439
5149048	224-2272
5149211	226-4220
5149224	S40653



DETROIT DIESEL	MAHLE
5149225	S40653 SC80061
5149226	S41659
5149230	S40653
5149233	S41659
5149234	224-2485
5149235	224-2485
5149239	226-1739
514924	226-4220
5149240	224-2272
5149241	S41410
5149248	224-2272
5149255	S40653
5149256	226-1633
5149257	S40653
5149258	226-1633.010
5149262	226-1633
5149263	226-1633.010
5149265	226-1633.010
5149300	226-1946.010
5149314	S41449
5149359	S41449 S41449
5149452	CB-1265P
5149454	CB-1265P-10
5149455	CB-1265P-20
5149565	MB-2687P MS-1385P
5149565 / 5117005	MS-1386P
5149567	MB-2687P-10
5149568	MB-2687P-20
5149568/5117005	MS-1386P-20
5149572	CB-555P
5149575	CB-555P-10
5149577	CB-555P-20
5149579	CB-555P-30
5149598	226-1738
5149721	226-1477
5149728	OS30938
5149744	46843 HS12197A
5149745	46843 HS12197B
5149771	211-2439 216-5234
5149942	S41154
5149963	224-2272
5149963/23508986	224-2272
5149982	224-2260

DETROIT DIESEL	MAHLE
5149983	224-2360
5150044	CH12197X
5150106	CB-1596P
5150116	OS31771
5150117	OS31977
5150128	CB-1596P
5150846	46843
5151318	CB-1596P
5151528	CB-1596P
5153059	72112
5153560	46843
5154069	MB-2524W TW-411S
5154791	46843
5157274	223-3462
5157518	46843
5159353	MB-2524W TW-411S
5166226	46843
5171520	226-4220
5171524	224-2469
5176557	72112
5178989	46843
5186870	46843
5188868	226-4220
5189054	224-2469
5191931	46843 CS12197X
5191932	46843
5192433	HS3130
5192434	46843 HS3130
5192874	MB-1276P
5192876	MB-1276P-10
5192877	MB-1276P-20
5192895	CB-1596P
5192922	46843
5192923	46843
5192924	HS12197A
5193113	46843 HS12197A
5193114	46843 CS12197X HS12197B
5193115	46843
5193116	HS12197A
5193117	HS12197B
5193125	SH-468
5193477	SC80061
5193733	226-4466.010

DETROIT DIESEL	MAHLE
5194496	226-1220
5194656	224-2469
5194960	SC80061
5194968	211-2462
5195167	211-2462
5195413	SH-468
5195738	46843 CS12197X HS12197B
5195739	46843
5195741	HS12197B
5195742	HS12197H
5195927	MB-1931P
5195931	224-3282
5195948	211-1863
5196011	SH-698S
5196012	SH-699S
5196013	SH-700S
5196022	SH-468
5196026	SH-525
5196094	SH-701S
5196373	46843 HS12197A
5196374	46843 HS12197B
5196380	HS12197A
5196381	HS12197B HS12197J
5196487	224-2485
5196533	OS31790
5196575	47905 HS12232X
5196576	47905 HS12232X
5196577	47905 HS12232
5196578	HS12232X
5196579	HS12232
5196685	MB-1931P-10
5196686	MB-1931P-20
5196708	HS12197A
5196709	46843 HS12197A
5196710	46843 HS12197B
5196711	46843 HS12197B
5196785	47905 HS12232X
5196833	S40232
5196834	226-1478



DETROIT DIESEL	MAHLE
5196851	SS48005
5196852	SS48005
5197025	226-1633
5197159	SS47870
5197176	211-2536
5197177	S40653 S41659
5197497	226-1633
5197858	HS12197B
5197860	SS47870
5197866	224-2486
5197920	224-2485
5197933	S40653
5197944	SH-701S
5197975	CB-674P
5197977	CB-674P-10
5198139	226-1477
5198188	226-1477
5198209	SH-699S
5198274	S41659
5198286	CS12197X HS12197B
5198287	46843
5198410	MB-2474P
5198412	MB-2474P-10
5198413	MB-2474P-20
5198431	SH-698S
5198440	S40653
5198467	224-2485
5198547	CB-1180P
5198622	46843 CS12197X HS12197B
5198676	HS12197B
5198822	S40232 S41154
5198839	224-2485
5198877	224-2486
5198899	226-1477
5198901	S41449 S41449
5198902	S40232 S41154
5198903	226-1478
5198904	226-1477
5198944	46843 HS12197A
5198945	46843
5198946	46843 HS12197B
5198984	SH-700S

DETROIT DIESEL	MAHLE
5199116	226-1477
5199226	S41659
5199227	S41659
5199228	S41659
5199329	S40653
5199343	S41659
5199350	224-2260
5199504	226-1633
5199549	226-1633.010
5199551	226-1633.010
5199573	224-2360
5199696	247-5044
5199699	247-5043
5199790	47905 HS12232X
5199791	47905 HS12232X
5199792	47905 FS12232B
5199793	47905 HS12232X
5199806	S40653
5199811	HS12232X
5199812	HS12232
5199814	47905 HS12232X
5199822	226-1946
5199825	S41407
5199874	226-1633
5199880	S40653
5234699	GS33448
5234702	GS33448
680084	SS47537
680117	SH-994S
690437	SS47537
8920077	SH-2181S
8920078	223-3579
8920081	CB-1288P
8920119	211-2552
8920160	C31542
8920200	47912
8920271	VS39363
8920390	72217
8921106	S41410
8921209	B45767
8921301	47913
8921347	211-2551
8921438	3983
8921501	218-7817
8921502	218-7817

DETROIT DIESEL	MAHLE
8921605	224-2252 224-2997 224-3501
892160530	224-3501.030
8921606	224-2251
8921655	HS3983
8921714	CB-1288P CB-1288P-20
8921714.(030)	CB-1288P-30
8921721	S41294 S41294.020
8921722	S41895 S41895.020
8921817	MS15523
8922022	3983
8922110	SH-2181S
8922118	MB-2687P-30
8922118/5117005	MS-1386P-30
8922352	223-7186
8922452	224-3501.010
8922453	224-2252.020
8922516	211-2462
8922786	OS32035
8923215	3983
8923342	226-1739
8923343	S41410
8923348	226-1738
8923493	3983
8923800	3983
8923804	226-1738
8923848	3983
8923919	S41294.020
8924106	S41410
8924108	226-1738
8924126	47913 CS3983
8924127	HS3983
8924357	MB-1897P
8924359	MB-1897P-10
8924703	CB-1288P-10
8924813	C31542
8925815	224-2251
8925816	224-2251
8925817	224-2251
8925818	224-2251 224-2998 224-3502
892581830	224-3502.030
8926425	247-5192
8926675	VS50070
8926761	47913



DETROIT DIESEL	MAHLE	DETROIT DIESEL	MAHLE
8926762	46844	8929682	MS-2093P-20
8926921	247-5042	8929690	SH-1986
8926922	247-5041	8929710	CB-1662P
8926923	247-5028	8929711	CB-1662P-10
	247-5192	8929750	47913
8926923(.010)	247-5116	8929796	098 TC 24131 000
8926924	247-5027		098 TC 24131 010
8926925(.010)	247-5118	8929797	098 TC 24130 000
8927189	223-7186	8929863	VS50278
8927718	247-5118	8929902	098 TC 24131 000
8927719	247-5118		098 TC 24131 010
8927988	247-5073	8929903	098 TC 24130 000
8927993	247-5043	8976761	47913
	247-5073	9156005	46843
8928946	SH-2181S	9208384	46843
8929013	223-7207	DX41985	46843
8929072	B45914	DXM12411	3983
8929085	TW-600S	R23519625	226-1938
	TW-700S	R23519637	226-1941
8929087	223-1845	R23523951	226-1937
8929102	OS32204	R23523952	226-1940
	OS32204-1	R23532555	226-1937
8929126	218-8002	R23532590	226-1938
8929127	218-8003	R23532591	226-1941
8929176	223-7207		
8929238	247-5069		
8929337	223-5512		
8929344	OS32382		
8929347	OS32382		
8929435	098 TC 24131 000		
	098 TC 24131 010		
8929442	226-4558		
8929507	098 TC 24130 000		
8929589	211-3345		
8929590	211-3313		
8929625	218-8003.010		
8929626	218-8003.020		
8929627	218-8003.030		
8929628	218-8002.010		
8929629	218-8002.020		
8929670	MS-2092P		
	MS-2093P		
8929671	MS-2092P-10		
	MS-2093P-10		
8929672	MS-2092P-20		
	MS-2093P-20		
8929680	MS-2092P		
	MS-2093P		
8929681	MS-2092P-10		
	MS-2093P-10		
8929682	MS-2092P-20		

MAHLE Original	DETROIT DIESEL
098 TC 21002 000	23531032
098 TC 21002 100	23524100
098 TC 21101 000	23528051 23528065
098 TC 21102 100	23503042
098 TC 24130 000	23504966 23504967 8929507 8929797 8929903
098 TC 24130 010	23504966 23504967
098 TC 24131 000	23503732 8929435 8929796 8929902
098 TC 24131 010	8929435 8929796 8929902
098 TC 24132 000	23508410 23508411
098 TC 24132 010	23508410 23508411
098 TC 24133 000	23508405 23508406 23515894 23518695 23521167 23528029
098 TC 24133 010	23515894
098 TC 24136 000	23515635 23515636 23516431
098 TC 24137 000	23518588 23518597 23523197 2585838C91
098 TC 25592 000	23522188 23522189 23522190 23522191 23522306 23522312 23522781 23523040 23523478 23525462 23525463 23526016 23526017 23526271 23526272 23526679

MAHLE Original	DETROIT DIESEL
098 TC 25592 000	23526680 23526681 23526682 23526683 23526684 23526685 23526692 23528052 23528053 23528054 23528055 23528058 23528060 23528062 23528066 23528067 23528069 33528064
098 TC 25606 000	23518588 23518597 23528059
211-1863	5195948
211-2439	5100437 5106136 5148489 5149042 5149771
211-2462	23500501 5111336 5114288 5194968 5195167 8922516
211-2536	5109925 5197176
211-2551	23502067 8921347
211-2552	23502068 8920119
211-3313	23501577 23506350 8929590
211-3345	23501576 8929589
211-4154	1824840
211-4155	1823875
212-1079	5111339
212-1110	5123329 5144019
212-1440	1825540
216-5118	23507238
216-5234	5111337 5149771
217-3832	5111327 5119992

MAHLE Original	DETROIT DIESEL
217-3946	5129919
217-4076	23518571
218-7373	5101101 5101102 5119898
218-7813	5148490
218-7817	5116361 8921501 8921502
218-8002.010	8929628
218-8002.020	8929629
218-8002	8929126
218-8003.010	8929625
218-8003.020	8929626
218-8003.030	8929627
218-8003	8929127
223-1845	8929087
223-1850	23521649
223-1851	23525168
223-1933	23522872 23537307 23539049
223-3462	5157274
223-3579	8920078
223-3634	5106990 5116181
223-4000	23528493
223-5511	23521781
223-5512	8929337
223-7140	5121256
223-7186	5101166 8922352 8927189
223-7207	8929013 8929176
223-7211	1822322
224-2251	8921606 8925815 8925816 8925817 8925818
224-2252.020	8922453
224-2252	8921605
224-2260	2147950 2350900 23509378 23512413 23516311 23516863 23522026/23522070 23522497 23522535 5144836



MAHLE Original	DETROIT DIESEL
224-2260	5149982 5199350
224-2272	28653230 5108623 5144872 5149048 5149240 5149248 5149963 5149963/23508986
224-2360	23505427 23513069 23516309 23516310 23516861 23516862 23521992 23522070 23522475 23522495 5144836 5144839 5147651 5149983 5199573
224-2469	5102045 5171524 5189054 5194656
224-2485	5102779 5102780 5108623 5115191 5138682 5149234 5149235 5196487 5197920 5198467 5198839
224-2486	5116189 5138000 5197866 5198877
224-2997	8921605
224-2998	8925818
224-3282	5116028 5195931
224-3305	23501574 23516681
224-3350	1823313C1
224-3501.010	8922452
224-3501.030	892160530
224-3501	8921605
224-3502.030	892581830
224-3502	8925818

MAHLE Original	DETROIT DIESEL
224-3583	23521802
224-3627	23530599 23530666
224-3628	23530599 23532882
224-3629	23530601 23530668 23530727
224-3630	23530601 23530727 23532884
224-3738X	23530595
224-3738	23530596 23530660
224-3739X	23530597
224-3739	23530598 23530662
224-3740X	23527774
224-3740	23527775 23530664
224-3741X	23530766
224-3741	23530767 23533453
224-3743X	23529997
226-1220.010	5102317
226-1220.020	5102318
226-1220	23505308#2 23505308#3 23505309 5102315 5194496
226-1477	5149721 5198139 5198188 5198899 5198904 5199116
226-1478	5196834 5198903
226-1633.010	5149258 5149263 5149265 5199549 5199551
226-1633	23505303#2 23505304 23505306 23505306#2 23505306#3 23505307#3 5149256 5149262 5197025 5197497 5199504

MAHLE Original	DETROIT DIESEL
226-1633	5199874
226-1738	23503938 23524341 5149598 8923348 8923804 8924108
226-1739	23500881 23514261 23524339 5149239 8923342
226-1937	R23523951 R23532555
226-1938	R23519625 R23532590
226-1940	23532556 R23523952
226-1941	R23519637 R23532591
226-1945.010	23522491
226-1945	23522953
226-1946.010	23511627 23516302 23518988 23522951 5149300
226-1946	23505313 23511625 23516300 23518986 23522519 23522947 5199822
226-1962	1824966C92
226-1990	23532561
226-1991	23532883
226-1992	23530669 23532554 23532562
226-1993	23537294 23537594
226-2043	23530661
226-2044	23530663
226-2045	23530665
226-2046	23533452
226-4220	23504931 23504932 23504933 5149211 514924 5171520 5188868
226-4415	5132803



MAHLE Original	DETROIT DIESEL
226-4464	23502023 23502024 23502025 5102795
226-4466.001	23504936
226-4466.010	5193733
226-4466	23502020 23502021 23502022 5113953
226-4467	5148505
226-4470	5107176
226-4556	23514285 23523392 23523948 23530226 23531249 23531501 23531502 23534264
226-4558	23505278 23532361 23532450 23532468 8929442
226-4567	1815674C1
226-4573	23514285 23523948 23531249 23531502
226-4583	23421468 23524843 23531250 23531504 23532468
247-5005	5103264 5103264(.010)
247-5006	5146733(.010)
247-5009	5101677
247-5014	2146734 23502165
247-5022	5101677(.010)
247-5023	5146733
247-5024	5103264
247-5027	8926924
247-5028	8926923
247-5041	8926922
247-5042	8926921
247-5043	23502367 23502368 5199699 8927993
247-5044	23502366 5199696

MAHLE Original	DETROIT DIESEL
247-5069	8929238
247-5073	23502366 8927988 8927993
247-5113	5146733(.010)
247-5114	5103264(.010)
247-5116	8926923(.010)
247-5118	8926925(.010) 8927718 8927719
247-5121	23502367(.010)
247-5124	23504732 23504732(.010)
247-5125	23504732(.010)
247-5190	5144188
247-5192	8926425 8926923
247-5223	23515598
247-5224	23527225
247-5236	23515598 23515599 23527965
3983	8921438 8922022 8923215 8923493 8923800 8923848 DXM12411
46289	5116224 5138796
46843	5114335 5133852 5140660 5149744 5149745 5150846 5153560 5154791 5157518 5166226 5178989 5186870 5191931 5191932 5192434 5192922 5192923 5193113 5193114 5193115 5195738 5195739 5196373 5196374

MAHLE Original	DETROIT DIESEL
46843	5196709 5196710 5196711 5198287 5198622 5198944 5198945 5198946 9156005 9208384 DX41985
46844	23501610 8926762
47095	23514608 5115454
47243	12267798
47905	5116229 5196575 5196576 5196577 5196785 5199790 5199791 5199792 5199793 5199814
47912	8920200
47913	8921301 8924126 8926761 8929750 8976761
54157	23522588 23530421 23532045 23538406
54189	1817562
67744	23513578
67745	23518355
67815	1817867
72112	5153059 5176557
72214	5101138
72217	8920390
B45737	23500480
B45767	8921209
B45895	23516483 23523930
B45913	1822245
B45914	23523930 8929072
B45987	1823925C1
C31542	8920160 8924813
CB-1180P	5198547



MAHLE Original	DETROIT DIESEL	MAHLE Original	DETROIT DIESEL	MAHLE Original	DETROIT DIESEL
CB-1265P-10	5149454	CB-555P	5107200	HS12197B	5196711
CB-1265P-20	5149455		5149572		5197858
CB-1265P	5103763	CB-674P-10	5197977		5198286
	5116187	CB-674P	5116048		5198622
	5149452		5197975		5198676
CB-1288P-10	8924703	CH12197X	5150044		5198946
CB-1288P-20	23525859	CS12197X	23512675	HS12197H	5195742
	8921714		5191931	HS12197J	5196381
CB-1288P-30	8921714(.030)		5193114	HS12232X	5196575
CB-1288P	8920081		5195738		5196576
	8921714		5198286		5196578
			5198622		5196785
CB-1596P-10	23511133	CS3983	8924126		5199790
CB-1596P-20	23511135	CS54157A	23531604		5199791
CB-1596P	23511129		23531605		5199793
	5150106		23532720		5199811
	5150128	FS12197H	23512676	HS12232	5196577
	5151318	FS12197JT	23512680		5196579
	5151528	FS12197K	23512681		5199812
	5192895	FS12232A	23512688	HS3130	5192433
CB-1659P-10	1822486C91		23517623		5192434
CB-1659P-20	1822487C91	FS12232B	23512689	HS3983	8921655
CB-1659P	1822389C91		23517624		8924127
CB-1662P-10	8929711		5199792	HS54157	23501572
CB-1662P	23531604	FS12232C	23512690		23526052
	8929710	FS54157-A	23536443		23526852
CB-1792P-.25MM	23515582	FS54157	23532332		23532333
CB-1792P-.50MM	23515583		23532720		23536442
CB-1792P	23515581	GS27706	5132155	HS54189	1824970C99
	23515585	GS33390	23530768		1830720C94
	23515586	GS33448	23511870	MB-1276P-10	5192876
	23531605		5104701	MB-1276P-20	5192877
CB-1836P-.25MM	23520765		5234699	MB-1276P	5192874
	23526142		5234702	MB-1897P-10	8924359
	23527065	GS33539	23530768	MB-1897P	8924357
	23535746	GS33633	23535700	MB-1931P-10	5196685
CB-1836P-.50MM	23526142		23537111	MB-1931P-20	5196686
	23527066	HS12197A	5149744	MB-1931P	5195927
	23535747		5192924	MB-2474P-10	5198412
CB-1836P	23526142		5193113	MB-2474P-20	5198413
	23535745		5193116	MB-2474P	5198410
CB-1902P-.25MM	23533565		5196373	MB-2522W	5116197
	23533567		5196380	MB-2523W	5117005
	23535742		5196708	MB-2524W	5154069
CB-1902P-.50MM	23532254		5196709		5159353
	23533566		5198944	MB-2687P-10	5149567
	23533568			MB-2687P-20	5149568
	23535743			MB-2687P-30	8922118
CB-1902P	23524857			MB-2687P	5117011
	23526141				5149565
	23535741			MS-1385P-10	5117005
CB-555P-10	5149575			MS-1385P-20	5117005
CB-555P-20	5149577				
CB-555P-30	5149579				

MAHLE Original	DETROIT DIESEL
MS-1385P-30	5117005
MS-1385P	5117005 5149565
MS-1386P-10	5117005
MS-1386P-20	5149568/5117005
MS-1386P-30	5117005 8922118/5117005
MS-1386P	5149565 / 5117005
MS-2092P-10	8929671 8929681
MS-2092P-20	8929672 8929682
MS-2092P	8929670 8929680
MS-2093P-10	8929671 8929681
MS-2093P-20	8929672 8929682
MS-2093P	23531604 23531605 23533252 23533259 23533263 8929670 8929680
MS-2310P-10	23533251 23533258
MS-2310P-20	23533250 23533257
MS-2310P	23533252 23533259 23535280
MS-2313P-10	23533251 23533255 23533258 23533262
MS-2313P-20	23533250 23533254 23533257 23533261
MS-2313P	23532926 23533252 23533259 23533263
MS15523	8921817
MS19666	23511666 23533983
MS19824	1825436
OC 114	23518668
OS30938	5149728
OS31584	5116257
OS31771	5150116
OS31790	5117231 5125642

MAHLE Original	DETROIT DIESEL
OS31790	5196533
OS31977	5150117
OS32035	8922786
OS32204-1	8929102
OS32204	23531604 23531605 8929102
OS32226	1826587
OS32382	23505992 23514465 23522279 23539104 8929344 8929347
S40232	5196833 5198822 5198902
S40653	23514970 5149224 5149225 5149230 5149255 5149257 5197177 5197933 5198440 5199329 5199806 5199880
S41154	5149942 5198822 5198902
S41294.020	8921721 8923919
S41294	8921721
S41407	23522954 23522955 5199825
S41410	23504728 23524249 23524349 5149241 8921106 8923343 8924106
S41449	5149359 5198901
S41659	23514971 5149226 5149233 5197177 5198274 5199226 5199227 5199228 5199343

MAHLE Original	DETROIT DIESEL
S41781	1817247C91
S41891	23503747
S41892	23505729
S41895.020	8921722
S41895	8921722
S41900	23522955
S42132	23533510
S42133	23531252
SC80061	5149225 5193477 5194960
SH-1986	8929690
SH-2181S	8920077 8922110 8928946
SH-468	5193125 5195413 5196022
SH-477W	5111424
SH-525	5196026
SH-698S	5196011 5198431
SH-699S	5196012 5198209
SH-700S	5196013 5198984
SH-701S	5196094 5197944
SH-994S	680117
SS47537	680084 690437
SS47870	5197159 5197860
SS48005	23516636 5196851 5196852
TW-402S	5117005
TW-411S	5154069 5159353
TW-412S	5116197
TW-600S	23531604 23531605 8929085
TW-696S	23530554 23530555 23533688
TW-700S	23531604 23531605 8929085
VS38767	5119457 5147994
VS39363	8920271
VS39855	5119458

MAHLE Original	DETROIT DIESEL
VS39855	5147506
VS39858	5143405
VS39859	5143406
	5143496
VS39862	5104018
VS39863	5104081
VS39864	5104019
VS39866	5143407
VS50070	8926675
VS50278	23516322
	8929863
VS50404	23522269
VS50517	1825602C91

KOMATSU	MAHLE	KOMATSU	MAHLE	KOMATSU	MAHLE
11930535150	OC 195	5-86205-886-0	41914	6130-29-8101	MS-2290P-.25MM
1212621H1	OC 282	5-87810-321-0	HS5743	6130-31-3041	CB-1907P
1241-17-5H92	226-4496	5-87810-631-0	HS5850	6130-32-2110	224-3379
1241-74-8H92	S41677	5-87810-979-0	HS54038	6130-32-2302	S42057
1295-69-3H91	224-3326	5-87810-979-1	HS54038	6130-37-3041	CB-1907P-.75MM
1304-90-2H91	224-3293	5-87810-980-0	HS54038W	6130-38-3041	CB-1907P-.50MM
1306018790	HX 79	5-87810-980-1	HS54038W	6130-39-3041	CB-1907P-.25MM
1306018880	HX 79	5-87810321-5	HS5743	6130-41-4541	B45985
1307-23-0H91	226-1917	5-87811-839-1	HS54038	6131-11-1812	54778
132011	OC 33	5-87811-909-0	HS54038W	6131-32-2120	224-3380
132012	OC 33	5-87811-909-1	HS54038W	6131-32-2302	S42058
13240016	OX 17	5-87812-718-0	HS54038	6131-K1-9901	HS54778
13240022	OX 17	5132002500	KL 12 OF	6134-11-8810	VS50478
13240036	OX 17	5132400320	KC 46	6134-21-8050	TW-688S
1560196001	OC 23	5873104520	KC 46	6134-K1-9901	HS54650
2-90842-900-0	LX 1128	6002115212	OC 26	6135-11-5810	MS19485
20M01R2251	OC 217	6002115213	OC 26		MS19486
2901098000	629 TC 26048 100	6002115240	OC 26	6135-12-1811	54650
37Z-02O-F301	OC 501	6002115241	OC 26	6136-11-4850	MS19496
37Z02OF202	OC 33	6002116230	OC 26	6136-21-1410	SH-2135S
37Z02OF202	OC 33	6002121510	OC 282	6136-21-1410	SH-2137S
3802657	225-3293	6002121510	OC 282	6136-21-2220	223-7206
3802863	S41905.020	6002121511	OC 282	6136-21-2230	223-7206
3802864	S41905.040	6002121511	OC 282	6136-21-2240	223-7206
3802917	S41905.020	6003118290	KC 28	6136-21-5821	OS32321
3802918	S41905.040	6003118290	KC 28	6136-21-8010	MS-2291P
3806229	S41905.020	6003118291	KC 28	6136-21-8010	MS-2289P
3806230	S41905.040	6003118291	KC 28	6136-22-3510	67813
3909409	GS33491	6003118390	KC 28	6136-27-8010	MS-2291P-.75MM
4295633	OC 205	6003118390	KC 28	6136-27-8010	MS-2289P-.75MM
4315539	KC 46	6110706201	KX 36D	6136-28-8010	MS-2291P-.50MM
4315596	KC 46	6110706202	KX 36D	6136-28-8010	MS-2289P-.50MM
4316740	OC 230	6110736130	KX 36D	6136-29-8010	MS-2291P-.25MM
4317086	OC 205	6127-21-8050	TW-602S	6136-29-8010	MS-2289P-.25MM
4318006	OC 205	6127218050	TW-602S	6136-31-1010	247-5173
5 878 13 054 0	HS54410	6130-11-7821	VS50572	6136-31-2030	S42059
5 878 13 054 0	HS54410	6130-21-1410	SH-2136S	6136-31-2112	224-3381
5-11611-002-0	SH-1190S	6130-21-1420	SH-2136S	6136-31-3130	223-3690
5-12569-006-0	B45565	6130-21-1430	SH-2136S	6136-32-2110	224-3382
5-16157-002-1	G26276	6130-21-2220	223-7212	6136-32-2120	224-3383
5-86202-077-0	OS32055	6130-21-2230	223-7212	6136-32-3130	223-3691
5-86202-091-0	VS50072	6130-21-4231	67814	6136-K1-9901	HS54638
5-86202-096-0	B45626	6130-21-8011	MS-2290P	6136-K2-9901	CS54638
5-86202-097-0	B45627 B45630	6130-21-8021	MS-2290P	6137-12-1811	54638
5-86202-237-0	MS16164	6130-21-8500	TW-689S	6137-22-2210	226-4572
5-86204-816-0	67591	6130-22-2310	226-4568	6137-31-2032	S42060
5-86204-818-0	67121	6130-22-4231	67816	6137-31-2040	S42061
5-86204-819-0	67121	6130-27-8101	MS-2290P-.75MM	6137-32-2110	224-3384
		6130-28-8101	MS-2290P-.50MM	6137-K1-9901	HS54638A

KOMATSU	MAHLE	KOMATSU	MAHLE	KOMATSU	MAHLE
6137-K2-9901	CS54638A	6151-K2-9901	CS54626	6738-31-2031	S42170
6138-21-2220	226-2031 226-2032	6155-K1-9900	HS54631	6738-31-2031	S42170.020
6138-21-2220	226-4569	6155-K2-9900	CS54631	6738-31-2031	S41518
6138-21-2220	226-2032	6204-21-8100	MS-2287P	6741-11-4510	MS19374
6138-31-1010	247-5174	6204-21-8100	MS-2288P	6741-11-4510	MS19374
6138-31-3040	CB-1906P	6204-21-8500	TW-687S	6742-01-0150	211-3203
6138-31-3133	223-3692	6204-21-8510	TW-687S	6742-01-0710	VS50577
6138-32-2120	224-3385	6204-21-8600	TW-687S	6742-01-1500	226-4547
6138-32-2200	S42062	6204-27-8100	MS-2288P-.75MM	6742-01-1520	223-7201
6138-32-2320	224-3386	6204-27-8100	MS-2287P-.75MM	6742-01-1570	247-5096
6138-37-3050	CB-1906P-.75MM	6204-28-8100	MS-2288P-.50MM	6742-01-2740	223-3642
6138-38-3050	CB-1906P-.50MM	6204-28-8100	MS-2287P-.50MM	6742-01-2750	CB-1409P
6138-39-3050	CB-1906P-.25MM	6204-29-8100	MS-2287P-.25MM	6742-01-2810	CB-1409P-.25MM
6140-41-4540	B45979	6204-29-8100	MS-2288P-.25MM	6742-01-2820	CB-1409P-.50MM
6150-11-5810	MS19444	6204-31-2121	224-3389	6742-01-2830	CB-1409P-.75MM
6150-12-1810	54631	6204-31-2203	S42064	6742-01-3000	211-3204
6150-13-4810	MS19445	6204-31-3130	223-3680	6742-01-3020	212-1797
6150-17-1813	54626	6206-21-1420	SH-2128S	6742-01-4010	MS19719
6150-21-1490	SH-2130S	6206-21-1420	SH-2129S	6742-01-4280	HS54126
6150-21-2250	223-7204	6206-21-1430	SH-2128S	6742-01-5069	226-1947
6150-21-3230	67793	6206-21-1430	SH-2128S	6742-01-5140	CS54126-1
6150-21-5812	OS32292	6207-21-2121	226-4571	6742-01-5160	SH-2183
6150-21-8010	MS-2197P	6207-31-1100	247-5175	6742-01-5199	MS-1740P
6150-21-8050	TW-602S	6207-31-2141	224-3390	6742-01-5233	MS-1740P-.25MM
6150-27-8010	MS-2197P-.75MM	6207-31-2501	S42065	6742-01-5240	MS-1740P-.50MM
6150-28-8010	MS-2197P-.50MM	6207-31-3130	223-3681	6742-01-5308	OS32205
6150-29-8010	MS-2197P-.25MM	6207-31-3300	CB-1903P	6742-01-5308	OS32205
6150-31-2033	S42063	6207-31-3530	223-3682	6742-01-5582	54126
6150-31-2112	224-3387	6207-31-3600	CB-1904P	6742-02-1110	67639
6150-31-3130	223-3688	6207-37-3300	CB-1903P-.75MM	6742-02-1110	67639
6150-37-3040	CB-1773P-.75MM	6207-37-3600	CB-1904P-.75MM	700032431	OC 47 OC 47 OF
6150-38-3040	CB-1773P-.50MM	6207-38-3300	CB-1903P-.50MM	8-00460-483-0	B45418
6150-39-3040	CB-1773P-.25MM	6207-38-3600	CB-1904P-.50MM	8-03835-333-0	B45229
6150-41-4570	B45980	6207-39-3300	CB-1903P-.25MM	8-09129-040-0	54395A
6150-K1-9901	HS54626A	6207-39-3600	CB-1904P-.25MM	8-09157-001-0	C32366
6150-K2-9901	CS54626A	6209-31-2141	224-3391	8-09157-001-0	C32366
6150212230	223-7204	6211-31-1010	247-5226	8-10105-117-0	5746
6150212240	223-7204	6623311111	247-5068	8-10214-034-0	B45229
6151-21-4161	67794	6732-31-3131	223-3644	8-12337-972-0	G31178
6151-22-2220	226-4570	6732-31-3131	223-3717	8-12589-226-0	54442
6151-31-2171	224-3388	6735-21-8100	MS-2328P	8-24504-031-0	72010
6151-31-3040	CB-1773P	6735-K2-3001	48384	8-24504-091-0	72010
6151-31-3230	223-3689	6735-K2-3001	48384	8-25055-364-0	KL 14
6151-35-1010	247-5176	6738-31-2031	S41518 S41905	8-90183-572-0	67865
6151-37-3040	CB-1773P-.75MM	6738-31-2031	S42170.040	8-90183-572-0	67865
6151-38-3040	CB-1773P-.50MM	6738-31-2031	S42170.020	8-90280-463-0	47950
6151-39-3040	CB-1773P-.25MM	6738-31-2031	S42170	8-90410-741-0	B45940A
6151-K1-9901	HS54626	6738-31-2031	S42170.040	8-90411-954-0	C32369

KOMATSU	MAHLE	KOMATSU	MAHLE	KOMATSU	MAHLE
8-90411-954-0	C32369	8-94208-522-0	B20183	8-94405-614-2	41631CP
8-90412-459-0	MS19671	8-94209-872-0	C20115		51631CP
8-90412-459-0	MS19671	8-94210-265-1	TW-451S	8-94407-163-0	C20115
8-90466-480-0	GS33473	8-94210-402-0	MS12279	8-94424-576-0	MS12397
8-90467-547-0	G32053	8-94210-750-1	TW-451S	8-94428-466-0	B20183
8-90501-944-0	VS50353	8-94213-809-1	3716G	8-94438-086-0	41452
8-92061-971-0	CS54395A	8-94214-913-0	JV525	8-94440-093-2	CB-1480AL
8-92062-605-0	54395A	8-94214-985-0	VS50041	8-94446-580-1	MS-1821AL
8-92062-683-0	OS32358	8-94215-220-0	66780	8-94446-581-1	MS-1821AL
8-92062-683-0	OS32358	8-94216-869-0	3553	8-94446-582-1	MS-1821AL
8-92062-709-0	G32368	8-94219-643-0	HS3553	8-94446-957-1	41631CP
8-92062-709-0	G32368	8-94219-643-1	HS3553	8-94449-492-0	C31066
8-92062-934-0	OS32359	8-94219-643-2	HS3553	8-94450-954-1	5910
8-92062-934-0	OS32359	8-94232-051-0	MS-1775P	8-94455-425-1	MS16061
8-92064-231-0	MS19669	8-94232-367-0	C20115	8-94457-048-0	C20115
8-92064-231-0	MS19669	8-94235-288-0	OS32042	8-94461-093-0	3716G
8-92065-111-0	CS54395A	8-94235-288-1	OS32042	8-94471-399-2	5743
8-92065-111-0	CS54395A	8-94235-369-0	JV525	8-94472-612-2	MS16061
8-92065-112-0	HS54395B	8-94238-643-1	HS3706	8-94481-907-1	TW-451S
8-92065-529-0	MS19670	8-94239-258-1	OS32024	8-97011-674-0	MS12449
8-92065-529-0	K32364	8-94240-676-0	MS-1775P	8-97012-469-0	MS12449
8-92065-529-0	MS19670	8-94246-109-1	MS15424	8-97014-207-0	K31464
8-92065-529-0	K32364	8-94250-265-0	TW-451S	8-97014-696-0	C31462
8-92065-913-0	OS32359	8-94251-263-1	MS-1775P	8-97019-361-0	54038
8-92065-913-0	OS32359	8-94251-263-2	MS-1775P	8-97019-361-1	54038
8-92067-765-0	54395A	8-94251-265-0	TW-451S	8-97023-373-0	JV1194
8-94101-034-0	MS-1775P	8-94251-265-1	TW-451S	8-97025-206-0	JV525
8-94110-559-0	B45571	8-94254-018-0	JV950	8-97033-673-0	B20183
8-94110-559-1	B45571	8-94254-759-0	JV950	8-97035-303-0	LX 1128
8-94136-778-0	41591CP	8-94254-789-0	HS3553	8-97048-720-2	VS50226
	51591CP	8-94258-197-0	5705	8-97048-721-1	VS50227
8-94136-778-1	41591CP	8-94311-760-1	C31206	8-97060-414-0	G31466
8-94146-244-1	5743	8-94319-223-0	41690	8-97061-518-0	MS12397
8-94146-244-2	5743	8-94323-173-0	MS12450	8-97095-861-0	MS12449
8-94146-249-0	MS15423	8-94324-053-0	5743		MS12449W
8-94152-789-0	OS32045	8-94324-158-1	B45996	8-97102-031-1	F31742
8-94152-790-2	OS32045	8-94324-200-0	OS32045	8-97104-316-0	MS19208
8-94152-791-1	OS32045	8-94328-250-0	MS15617	8-97104-317-2	G31741
8-94152-791-2	OS32045	8-94334-845-0	66780	8-97115-574-0	MS12279
8-94153-966-1	41591CP	8-94335-844-0	HS5743	8-97120-307-0	B45565
8-94174-279-0	5850	8-94338-921-0	B20183	8-97123-162-0	C31740
8-94200-254-0	F7279	8-94340-195-0	G31211	8-97135-478-0	K31464
8-94200-715-1	VS38132	8-94364-577-0	MS12449W	8-97136-259-3	54411
8-94202-090-1	JV950	8-94364-756-0	C31467	8-97146-733-0	B45996
8-94202-091-0	JV950	8-94381-233-0	JV1626	8-97148-520-3	54410
8-94204-431-0	OS30164	8-94382-250-0	C31463	8-97148-717-0	MS19250
8-94207-284-0	MS12282	8-94386-052-0	HS5910	8-97148-736-0	K31464
8-94207-285-0	MS12282	8-94389-593-1	66780	8-97162-198-0	41690
8-94207-286-0	MS12282	8-94404-932-0	MS15617	8-97219-318-0	223-3659
				8-97219-325-0	TW-610S

KOMATSU	MAHLE	KOMATSU	MAHLE
8-97219-327-0	TW-610S	8973878960	599 TC 21103 100
8-97262-094-0	54411	8973878960	599 TS 21103 100
8-97262-096-0	54410	8973878960	599 TC 21103 100
8-98037-481-0	KC 46	8973878960	599 TS 21103 100
8064383840	OC 114	9-09921-201-0	C20115
8250148130	OC 114	9-11581-021	TW-451S
8251605610	OC 114	9-11581-021-0	TW-451S
85582151	OX 17	9-11611-020-0	SH-1190S
85582153	OX 17	9-12559-008-0	B45562
88512151	OX 17	9132000930	KL 11 OF
893156634	KC 46	93156943	KC 46
8941357471	OC 205	94201942	OC 205
8941494180	OC 196	94243502	OC 230
8941673980	KC 46	94418541	OC 205
894177327	KC 46	94430411	OC 230
8941773270	KC 46	9885131070	OX 17
894201942	OC 205	RTV	OS32254
8942019422	OC 205	Z14FF10044	KX 23
8942019423	OC 205		
894220750	TW-451S		
8942387570	KC 46		
894243502	OC 205		
8942435020	OC 230		
894248070	KC 46		
8942480700	KC 46		
8942480702	KC 46		
8942482700	KC 46		
89425111011	OC 196		
8943402590	OC 239		
8943687270	OC 196		
8943692990	KC 46		
8943692991	KC 46		
8943692993	KC 46		
8944128150	OC 196		
8944185410	OC 205		
8944195320	KC 46		
894430411	OC 205		
8944304110	OC 230		
8944567410	OC 205		
8944567411	OC 205		
8944597000	OC 330		
8944637151	OC 47 OC 47 OF		
8971894520	629 TC 26048 100		
8972089661	629 TC 26048 100		
8972089663	629 TC 26048 100		
8973831270	223-3659		
8973878960	599 TS 21103 100		
8973878960	599 TC 21103 100		

MAHLE Original	KOMATSU
211-3203	6742-01-0150
211-3204	6742-01-3000
212-1797	6742-01-3020
223-3642	6742-01-2740
223-3644	6732-31-3131
223-3659	8-97219-318-0 8973831270
223-3680	6204-31-3130
223-3681	6207-31-3130
223-3682	6207-31-3530
223-3688	6150-31-3130
223-3689	6151-31-3230
223-3690	6136-31-3130
223-3691	6136-32-3130
223-3692	6138-31-3133
223-3717	6732-31-3131
223-7201	6742-01-1520
223-7204	6150-21-2250 6150212230 6150212240
223-7206	6136-21-2220 6136-21-2230 6136-21-2240
223-7212	6130-21-2220 6130-21-2230
224-3293	1304-90-2H91
224-3326	1295-69-3H91
224-3379	6130-32-2110
224-3380	6131-32-2120
224-3381	6136-31-2112
224-3382	6136-32-2110
224-3383	6136-32-2120
224-3384	6137-32-2110
224-3385	6138-32-2120
224-3386	6138-32-2320
224-3387	6150-31-2112
224-3388	6151-31-2171
224-3389	6204-31-2121
224-3390	6207-31-2141
224-3391	6209-31-2141
225-3293	3802657
226-1917	1307-23-0H91
226-1947	6742-01-5069
226-2031	6138-21-2220
226-2032	6138-21-2220 6138-21-2220
226-4496	1241-17-5H92
226-4547	6742-01-1500
226-4568	6130-22-2310
226-4569	6138-21-2220
226-4570	6151-22-2220

MAHLE Original	KOMATSU
226-4571	6207-21-2121
226-4572	6137-22-2210
247-5068	6623311111
247-5096	6742-01-1570
247-5173	6136-31-1010
247-5174	6138-31-1010
247-5175	6207-31-1100
247-5176	6151-35-1010
247-5226	6211-31-1010
3553	8-94216-869-0
3716G	8-94213-809-1 8-94461-093-0
41452	8-94438-086-0
41591CP	8-94136-778-0 8-94136-778-1 8-94153-966-1
41631CP	8-94405-614-2 8-94446-957-1
41690	8-94319-223-0 8-97162-198-0
41914	5-86205-886-0
47950	8-90280-463-0
48384	6735-K2-3001 6735-K2-3001
51591CP	8-94136-778-0
51631CP	8-94405-614-2
54038	8-97019-361-0 8-97019-361-1
54126	6742-01-5582
54395A	8-09129-040-0 8-92062-605-0 8-92067-765-0
54410	8-97148-520-3 8-97262-096-0
54411	8-97136-259-3 8-97262-094-0
54442	8-12589-226-0
54626	6150-17-1813
54631	6150-12-1810
54638	6137-12-1811
54650	6135-12-1811
54778	6131-11-1812
5705	8-94258-197-0
5743	8-94146-244-1 8-94146-244-2 8-94324-053-0 8-94471-399-2
5746	8-10105-117-0
5850	8-94174-279-0
5910	8-94450-954-1
599 TC 21103 100	8973878960 8973878960

MAHLE Original	KOMATSU
599 TC 21103 100	8973878960
599 TS 21103 100	8973878960 8973878960 8973878960
629 TC 26048 100	2901098000 8971894520 8972089661 8972089663
66780	8-94215-220-0 8-94334-845-0 8-94389-593-1
67121	5-86204-818-0 5-86204-819-0
67591	5-86204-816-0
67639	6742-02-1110 6742-02-1110
67793	6150-21-3230
67794	6151-21-4161
67813	6136-22-3510
67814	6130-21-4231
67816	6130-22-4231
67865	8-90183-572-0 8-90183-572-0
72010	8-24504-031-0 8-24504-091-0
B20183	8-94208-522-0 8-94338-921-0 8-94428-466-0 8-97033-673-0
B45229	8-03835-333-0 8-10214-034-0
B45418	8-00460-483-0
B45562	9-12559-008-0
B45565	5-12569-006-0 8-97120-307-0
B45571	8-94110-559-0 8-94110-559-1
B45626	5-86202-096-0
B45627	5-86202-097-0
B45630	5-86202-097-0
B45940A	8-90410-741-0
B45979	6140-41-4540
B45980	6150-41-4570
B45985	6130-41-4541
B45996	8-94324-158-1 8-97146-733-0
C20115	8-94209-872-0 8-94232-367-0 8-94407-163-0 8-94457-048-0 9-09921-201-0
C31066	8-94449-492-0
C31206	8-94311-760-1

MAHLE Original	KOMATSU
C31462	8-97014-696-0
C31463	8-94382-250-0
C31467	8-94364-756-0
C31740	8-97123-162-0
C32366	8-09157-001-0 8-09157-001-0
C32369	8-90411-954-0 8-90411-954-0
CB-1409P-.25MM	6742-01-2810
CB-1409P-.50MM	6742-01-2820
CB-1409P-.75MM	6742-01-2830
CB-1409P	6742-01-2750
CB-1480AL	8-94440-093-2
CB-1773P-.25MM	6150-39-3040 6151-39-3040
CB-1773P-.50MM	6150-38-3040 6151-38-3040
CB-1773P-.75MM	6150-37-3040 6151-37-3040
CB-1773P	6151-31-3040
CB-1903P-.25MM	6207-39-3300
CB-1903P-.50MM	6207-38-3300
CB-1903P-.75MM	6207-37-3300
CB-1903P	6207-31-3300
CB-1904P-.25MM	6207-39-3600
CB-1904P-.50MM	6207-38-3600
CB-1904P-.75MM	6207-37-3600
CB-1904P	6207-31-3600
CB-1906P-.25MM	6138-39-3050
CB-1906P-.50MM	6138-38-3050
CB-1906P-.75MM	6138-37-3050
CB-1906P	6138-31-3040
CB-1907P-.25MM	6130-39-3041
CB-1907P-.50MM	6130-38-3041
CB-1907P-.75MM	6130-37-3041
CB-1907P	6130-31-3041
CS54126-1	6742-01-5140
CS54395A	8-92061-971-0 8-92065-111-0 8-92065-111-0
CS54626A	6150-K2-9901
CS54626	6151-K2-9901
CS54631	6155-K2-9900
CS54638A	6137-K2-9901
CS54638	6136-K2-9901
F31742	8-97102-031-1
F7279	8-94200-254-0
G26276	5-16157-002-1
G31178	8-12337-972-0
G31211	8-94340-195-0

MAHLE Original	KOMATSU
G31466	8-97060-414-0
G31741	8-97104-317-2
G32053	8-90467-547-0
G32368	8-92062-709-0 8-92062-709-0
GS33473	8-90466-480-0
GS33491	3909409
HS3553	8-94219-643-0 8-94219-643-1 8-94219-643-2 8-94254-789-0
HS3706	8-94238-643-1
HS54038W	5-87810-980-0 5-87810-980-1 5-87811-909-0 5-87811-909-1
HS54038	5-87810-979-0 5-87810-979-1 5-87811-839-1 5-87812-718-0
HS54126	6742-01-4280
HS54395B	8-92065-112-0
HS54410	5 878 13 054 0 5 878 13 054 0
HS54626A	6150-K1-9901
HS54626	6151-K1-9901
HS54631	6155-K1-9900
HS54638A	6137-K1-9901
HS54638	6136-K1-9901
HS54650	6134-K1-9901
HS54778	6131-K1-9901
HS5743	5-87810-321-0 5-87810321-5 8-94335-844-0
HS5850	5-87810-631-0
HS5910	8-94386-052-0
HX 79	1306018790 1306018880
JV1194	8-97023-373-0
JV1626	8-94381-233-0
JV525	8-94214-913-0 8-94235-369-0 8-97025-206-0
JV950	8-94202-090-1 8-94202-091-0 8-94254-018-0 8-94254-759-0
K31464	8-97014-207-0 8-97135-478-0 8-97148-736-0
K32364	8-92065-529-0 8-92065-529-0
KC 28	6003118290

MAHLE Original	KOMATSU
KC 28	6003118290 6003118291 6003118291 6003118390 6003118390
KC 46	4315539 4315596 5132400320 5873104520 8-98037-481-0 893156634 8941673980 894177327 8941773270 8942387570 894248070 8942480700 8942480702 8942482700 8943692990 8943692991 8943692993 8944195320 93156943
KL 11 OF	9132000930
KL 12 OF	5132002500
KL 14	8-25055-364-0
KX 23	Z14FF10044
KX 36D	6110706201 6110706202 6110736130
LX 1128	2-90842-900-0 8-97035-303-0
MS-1740P-.25MM	6742-01-5233
MS-1740P-.50MM	6742-01-5240
MS-1740P	6742-01-5199
MS-1775P	8-94101-034-0 8-94232-051-0 8-94240-676-0 8-94251-263-1 8-94251-263-2
MS-1821AL	8-94446-580-1 8-94446-581-1 8-94446-582-1
MS-2197P-.25MM	6150-29-8010
MS-2197P-.50MM	6150-28-8010
MS-2197P-.75MM	6150-27-8010
MS-2197P	6150-21-8010
MS-2287P-.25MM	6204-29-8100
MS-2287P-.50MM	6204-28-8100
MS-2287P-.75MM	6204-27-8100
MS-2287P	6204-21-8100
MS-2288P-.25MM	6204-29-8100
MS-2288P-.50MM	6204-28-8100
MS-2288P-.75MM	6204-27-8100

MAHLE Original	KOMATSU
MS-2288P	6204-21-8100
MS-2289P-.25MM	6136-29-8010
MS-2289P-.50MM	6136-28-8010
MS-2289P-.75MM	6136-27-8010
MS-2289P	6136-21-8010
MS-2290P-.25MM	6130-29-8101
MS-2290P-.50MM	6130-28-8101
MS-2290P-.75MM	6130-27-8101
MS-2290P	6130-21-8011 6130-21-8021
MS-2291P-.25MM	6136-29-8010
MS-2291P-.50MM	6136-28-8010
MS-2291P-.75MM	6136-27-8010
MS-2291P	6136-21-8010
MS-2328P	6735-21-8100
MS12279	8-94210-402-0 8-97115-574-0
MS12282	8-94207-284-0 8-94207-285-0 8-94207-286-0
MS12397	8-94424-576-0 8-97061-518-0
MS12449W	8-94364-577-0 8-97095-861-0
MS12449	8-97011-674-0 8-97012-469-0 8-97095-861-0
MS12450	8-94323-173-0
MS15423	8-94146-249-0
MS15424	8-94246-109-1
MS15617	8-94328-250-0 8-94404-932-0
MS16061	8-94455-425-1 8-94472-612-2
MS16164	5-86202-237-0
MS19208	8-97104-316-0
MS19250	8-97148-717-0
MS19374	6741-11-4510 6741-11-4510
MS19444	6150-11-5810
MS19445	6150-13-4810
MS19485	6135-11-5810
MS19486	6135-11-5810
MS19496	6136-11-4850
MS19669	8-92064-231-0 8-92064-231-0
MS19670	8-92065-529-0 8-92065-529-0
MS19671	8-90412-459-0 8-90412-459-0
MS19719	6742-01-4010
OC 114	8064383840

MAHLE Original	KOMATSU
OC 114	8250148130 8251605610
OC 195	11930535150
OC 196	8941494180 89425111011 8943687270 8944128150
OC 205	4295633 4317086 4318006 8941357471 894201942 8942019422 8942019423 894243502 8944185410 894430411 8944567410 8944567411 94201942 94418541
OC 217	20M01R2251
OC 230	4316740 8942435020 8944304110 94243502 94430411
OC 239	8943402590
OC 23	1560196001
OC 26	6002115212 6002115213 6002115240 6002115241 6002116230
OC 282	1212621H1 6002121510 6002121510 6002121511 6002121511
OC 330	8944597000
OC 33	132011 132012 37Z020F202 37Z020F202
OC 47 OF	700032431 8944637151
OC 47	700032431 8944637151
OC 501	37Z-020-F301
OS30164	8-94204-431-0
OS32024	8-94239-258-1
OS32042	8-94235-288-0 8-94235-288-1
OS32045	8-94152-789-0 8-94152-790-2 8-94152-791-1 8-94152-791-2

MAHLE Original	KOMATSU
OS32045	8-94324-200-0
OS32055	5-86202-077-0
OS32205	6742-01-5308 6742-01-5308
OS32254	RTV
OS32292	6150-21-5812
OS32321	6136-21-5821
OS32358	8-92062-683-0 8-92062-683-0
OS32359	8-92062-934-0 8-92062-934-0 8-92065-913-0 8-92065-913-0
OX 17	13240016 13240022 13240036 85582151 85582153 88512151 9885131070
S41518	6738-31-2031 6738-31-2031
S41677	1241-74-8H92
S41905.020	3802863 3802917 3806229
S41905.040	3802864 3802918 3806230
S41905	6738-31-2031
S42057	6130-32-2302
S42058	6131-32-2302
S42059	6136-31-2030
S42060	6137-31-2032
S42061	6137-31-2040
S42062	6138-32-2200
S42063	6150-31-2033
S42064	6204-31-2203
S42065	6207-31-2501
S42170.020	6738-31-2031 6738-31-2031
S42170.040	6738-31-2031 6738-31-2031
S42170	6738-31-2031 6738-31-2031
SH-1190S	5-11611-002-0 9-11611-020-0
SH-2128S	6206-21-1420 6206-21-1430 6206-21-1430
SH-2129S	6206-21-1420 6206-21-1430
SH-2130S	6150-21-1490



MAHLE Original	KOMATSU
SH-2135S	6136-21-1410
SH-2136S	6130-21-1410 6130-21-1420 6130-21-1430
SH-2137S	6136-21-1410
SH-2183	6742-01-5160
TW-451S	8-94210-265-1 8-94210-750-1 8-94250-265-0 8-94251-265-0 8-94251-265-1 8-94481-907-1 894220750 9-11581-021 9-11581-021-0
TW-602S	6127-21-8050 6127218050 6150-21-8050
TW-610S	8-97219-325-0 8-97219-327-0
TW-687S	6204-21-8500 6204-21-8510 6204-21-8600
TW-688S	6134-21-8050
TW-689S	6130-21-8500
VS38132	8-94200-715-1
VS50041	8-94214-985-0
VS50072	5-86202-091-0
VS50226	8-97048-720-2
VS50227	8-97048-721-1
VS50353	8-90501-944-0
VS50478	6134-11-8810
VS50572	6130-11-7821
VS50577	6742-01-0710

MACK	MAHLE
118559	49276
11BMT422	47095
	49450
11EHT307	49450
126SB191	CS54831-2
126SB191A	CS54831-2
182GC2223	223-1965
187GB138	223-3544
20539275	OC 370
20706103	226-4615
20706142	OS32408
207SB12	GS33650
21089679	CS54831-1
215SB333	HS54831-3
215SB334A	HS54831-1
215SB337A	HS54831-2
215SB39P1	MS-954P
215SB39P2	MS-954P-10
215SB39P3	MS-954P-20
215SB40P1	CB-599P
215SB40P2	CB-599P-10
215SB40P3	CB-599P-20
215SB72BP1	MS-954P
215SB72BP2	MS-954P-10
215SB72BP3	MS-954P-20
215SB72CP1	MS-954P
215SB72CP2	MS-954P-10
215SB72CP3	MS-954P-20
215SB72CP4	MS-954P-30
215SB72DP1	MS-954P
215SB72DP2	MS-954P-10
215SB72DP3	MS-954P-20
215SB72DP4	MS-954P-30
215SB72P1	MS-954P
215SB72P2	MS-954P-10
215SB72P3	MS-954P-20
236GB114	OX 80
236GB114	OX 80
236GB117	OX 80
236GB117	OX 80
236GB217	OX 80
236GB217	OX 80
236GB233	OX 80
236GB233	OX 80
236GB241	OX 80
236GB241	OX 80
240GC1550AP1	224-1859
240GC1550BP1	224-1859
240GC41314E	224-1859

MACK	MAHLE
240GC41314F	224-1859
240GC41334	224-1859
240GC41334AP1	224-1859
240GC41353	224-1859
240GC556A	224-2258
240GC579	224-2258
240GCA1537AP1	224-1859
240GCA1537DP1	224-1859
240GCA1537FP1	224-1859
240GCA1555AP1	224-1859
25633195	67946
26585-0603	49353
27KH116	49727
33164657862	193 TC 24652 000
344SB25A	72222
344SZ-91	72230
344SZ12A	72115
344SZ14A	72012
344SZ20A	72214
344SZ21A	72226
344SZ24A	72010
344SZ25A	72116
	72222
344SZ26A	72011
344SZ28A	72218
344SZ30A	72224
344SZ32A	72217
344SZ33A	72216
344SZ36A	72222
353GC1538B	S40306
353GC1564-P1	S40306
353GC1567A	S40794
353GC1567B	S40794
353GC1568A	S40794
353GC1568B	S40794
353GC1578B	S41316
353GC1581	S41316
353GC2133	S41678
353GC2139	S41316
	S41418
353GC2142	S41678
353GC219	S41316
353GC226P1	S40306
353GC227-P1	S40794
353GC240A-P1	S41316
353GC240B-P1	S41316
353GC240E-P1	S41316
353GC241D-P1	S41316
353GC241E-P1	S41316
353GC241F-P1	S41316

MACK	MAHLE
353GC241H-P1	S41316
353GC241J-P1	S41316
353GC242-P1	S41316
353GC247-P1	S40794
353GC253-P1	S41418
353GC269-P1	S41418
353GC269C-P1	S41316
353GC280B	S41316
	S41418
364SZ127	47243
364SZ129	49276
364SZ141	49450
364SZ91	46442
41GC212	OS32408
43SB32	OX 80
441GC148	72221
446GC141	72112
446GC153	72011
446GC210	46773
446GC210A	46773
446GC2124	GS33649
446GC2125	GS33649
446GC238	46773
446GC238A	46773
446GC238B	46773
446GC296	SS45885
446GC310P12	67946
446GC328	SS45885
447GC148	72221
447GC216A	GS27706
456GC2156	247-5205
485GB3191A	OC 121
485GB3191A	OC 121
485GB3191B	OC 121
485GB3191B	OC 121
509GC463	226-4615
554GB321	VS50622
56AC299	72112
56AX283	72330
56AX290	72011
56AX292	72116
56AX294	72335
56AX299	72112
56AX393	72114
573GB323	G32544
579GB41	OS21998
579GB41C	OS21998
	OS32200
579GB422	OS32408
57GC186A	48041



MACK	MAHLE
57GC2118B	HS54831-3
57GC2119	46773 CS54831-3
57GC2129	SH-1450S SH-2141S
57GC2132	SH-1450S
57GC2144	TW-582S
57GC2176	54831
57GC266	SH-993S
57GC267	SH-563S
57GC268	SH-676S
57GC279	TW-422S
57GC3133A	CS54831-1
57GC387	MS-1982P
57GC387AP10	MS-1982P-10
590GB2166	GS33649
590GB48	G32545
59GB1109C	SH-693S
59GB1122P1	SH-693S
59GB122B	SH-693S
59GB188CP1	SH-693S
5LAX292	72116
601GB31C	VS50421
601GB31D	VS50421
62GB2337P1	CB-599P
62GB2337P10	CB-599P-10
62GB2337P20	CB-599P-20
62GB2382P1	CB-599P
62GB2382P10	CB-599P-10
62GB2382P20	CB-599P-20
62GB2382P30	CB-599P-30
62GB2393P1	CB-1379P
62GB2393P10	CB-1379P-10
62GB2393P20	CB-1379P-20
62GB2393P30	CB-1379P-30
62GB2396A	CB-1598P
62GB2396AP10	CB-1598P-10
62GB2396AP20	CB-1598P-20
62GB33P1	CB-599P
62GBA1338P1	CB-599P
62GBA1338P10	CB-599P-10
62GBA1338P20	CB-599P-20
62GBA1342P1	CB-599P
62GBA1342P10	CB-599P-10
62GBA1342P20	CB-599P-20
62GBA1342P30	CB-599P-30
62GBA2382P1	CB-599P
62GBA2382P10	CB-599P-10
62GBA2382P20	CB-599P-20
631GC4101P12	193 TC 24652 000

MACK	MAHLE
631GC4101P14	193 TC 24652 000
631GC4101P17	193 TC 24652 000
631GC4101P18	193 TC 24652 000
631GC4101P20	193 TC 24652 000
631GC4101P22	193 TC 24652 000
631GC4101P25	193 TC 24652 000
631GC4101P8	193 TC 24652 000
631GC4101P9	193 TC 24652 000
631GC4104	193 TC 24652 000
631GC4111P27	193 TC 24652 000
631GC439	193 TC 24652 000
631GC466A	193 TC 24652 000
631GC487P1	193 TC 24652 000
631GC487P2	193 TC 24652 000
631GC487P3	193 TC 24652 000
631GC5100P2	193 TC 24656 000
631GC5103	193 TC 24651 000
631GC5103P2	193 TC 24652 000
631GC5105P4	193 TC 24652 000
631GC5105P5	193 TC 24652 000
631GC5105P7	193 TC 24657 000
631GC5106P6	193 TC 24652 000
631GC5172AM5	193 TC 24277 000
631GC5172AM5X	193 TC 24277 000
631GC5172AM6	193 TC 24277 000
631GC5172AM6X	193 TC 24277 000
631GC5172M5	193 TC 24277 000
631GC5172M5X	193 TC 24277 000
631GC5172M6	193 TC 24277 000
631GC5172M6X	193 TC 24277 000
64GB21528BP1	MB-2520P
64GB21529BP1	MB-2520P
64GB21657P1	MB-2045P
64GB21658P1	MB-2045P
64GB21695AP1	MB-2521P
64GB21696P1	MB-2521P
64GB324P1	MB-2520P
64GB325P1	MB-2520P
64GB326P1	MB-2045P
64GB327P1	MB-2045P
64GB328P1	MB-2521P
64GB329P1	MB-2521P
64GBA11279BP1	MB-2520P
64GBA11279BP10	MB-2520P
64GBA11279BP20	MB-2520P
64GBA11279BP30	MB-2520P
64GBA11279BP40	MB-2520P
64GBA1127BP1	MB-2520P
64GBA11316P1	MB-2045P

MACK	MAHLE
64GBA11330AP1	MB-2521P
64GBA11330AP10	MB-2521P
64GBA11330AP20	MB-2521P
64GBA11330AP30	MB-2521P
688GC2378	211-3174
690GC2210	211-3173
701GC11A	SH-566WS
714GB1308P2	217-3810
714GB217P2	217-3810
714GC157	TW-422S
714GC211AP1	MB-1373W
714GCA167P1	MB-1373W TW-422S
88AX15	49276
88AX189	49113
88AX192	49276
88AX267	49113
88AX272	49450
88AX272P2	49450
88AX272PL	49450
88AX321	47243
88AX353	49113
88AX353P3	49113
88AX7	49113

MAHLE Original	MACK
193 TC 24277 000	631GC5172AM5 631GC5172AM5X 631GC5172AM6 631GC5172AM6X 631GC5172M5 631GC5172M5X 631GC5172M6 631GC5172M6X
193 TC 24651 000	631GC5103
193 TC 24652 000	33164657862 631GC4101P12 631GC4101P14 631GC4101P17 631GC4101P18 631GC4101P20 631GC4101P22 631GC4101P25 631GC4101P8 631GC4101P9 631GC4104 631GC4111P27 631GC439 631GC466A 631GC487P1 631GC487P2 631GC487P3 631GC5103P2 631GC5105P4 631GC5105P5 631GC5106P6
193 TC 24656 000	631GC5100P2
193 TC 24657 000	631GC5105P7
211-3173	690GC2210
211-3174	688GC2378
217-3810	714GB1308P2 714GB217P2
223-1965	182GC2223
223-3544	187GB138
224-1859	240GC1550AP1 240GC1550BP1 240GC41314E 240GC41314F 240GC41334 240GC41334AP1 240GC41353 240GCA1537AP1 240GCA1537DP1 240GCA1537FP1 240GCA1555AP1
224-2258	240GC556A 240GC579
226-4615	20706103 509GC463
247-5205	456GC2156

MAHLE Original	MACK
46442	364SZ91
46773	446GC210 446GC210A 446GC238 446GC238A 446GC238B 57GC2119
47095	11BMT422
47243	364SZ127 88AX321
48041	57GC186A
49113	88AX189 88AX267 88AX353 88AX353P3 88AX7
49276	118559 364SZ129 88AX15 88AX192
49353	26585-0603
49450	11BMT422 11EHT307 364SZ141 88AX272 88AX272P2 88AX272PL
49727	27KH116
54831	57GC2176
67946	25633195 446GC310P12
72010	344SZ24A
72011	344SZ26A 446GC153 56AX290
72012	344SZ14A
72112	446GC141 56AC299 56AX299
72114	56AX393
72115	344SZ12A
72116	344SZ25A 56AX292 5LAX292
72214	344SZ20A
72216	344SZ33A
72217	344SZ32A
72218	344SZ28A
72221	441GC148 447GC148
72222	344SB25A 344SZ25A 344SZ36A
72224	344SZ30A
72226	344SZ21A
72230	344SZ-91
72330	56AX283

MAHLE Original	MACK
72335	56AX294
CB-1379P-10	62GB2393P10
CB-1379P-20	62GB2393P20
CB-1379P-30	62GB2393P30
CB-1379P	62GB2393P1
CB-1598P-10	62GB2396AP10
CB-1598P-20	62GB2396AP20
CB-1598P	62GB2396A
CB-599P-10	215SB40P2 62GB2337P10 62GB2382P10 62GBA1338P10 62GBA1342P10 62GBA2382P10
CB-599P-20	215SB40P3 62GB2337P20 62GB2382P20 62GBA1338P20 62GBA1342P20 62GBA2382P20
CB-599P-30	62GB2382P30 62GBA1342P30
CB-599P	215SB40P1 62GB2337P1 62GB2382P1 62GB33P1 62GBA1338P1 62GBA1342P1 62GBA2382P1
CS54831-1	21089679 57GC3133A
CS54831-2	126SB191 126SB191A
CS54831-3	57GC2119
G32544	573GB323
G32545	590GB48
GS27706	447GC216A
GS33649	446GC2124 446GC2125 590GB2166
GS33650	207SB12
HS54831-1	215SB334A
HS54831-2	215SB337A
HS54831-3	215SB333 57GC2118B
MB-1373W	714GC211AP1 714GCA167P1
MB-2045P	64GB21657P1 64GB21658P1 64GB326P1 64GB327P1 64GBA11316P1
MB-2520P	64GB21528BP1 64GB21529BP1



MAHLE Original	MACK	MAHLE Original	MACK		
MB-2520P	64GB324P1	OX 80	43SB32		
	64GB325P1		S40306	353GC1538B	
	64GBA11279BP1			353GC1564-P1	
	64GBA11279BP10			353GC226P1	
	64GBA11279BP20		S40794	353GC1567A	
	64GBA11279BP30			353GC1567B	
	64GBA11279BP40			353GC1568A	
	64GBA1127BP1			353GC1568B	
	MB-2521P			64GB21695AP1	353GC227-P1
				64GB21696P1	353GC247-P1
64GB328P1		S41316	353GC1578B		
64GB329P1			353GC1581		
64GBA11330AP1			353GC2139		
64GBA11330AP10			353GC219		
64GBA11330AP20	353GC240A-P1				
64GBA11330AP30	353GC240B-P1				
MS-1982P-10	57GC387AP10		353GC240E-P1		
MS-1982P	57GC387		353GC241D-P1		
MS-954P-10	215SB39P2		353GC241E-P1		
	215SB72BP2		353GC241F-P1		
	215SB72CP2		353GC241H-P1		
	215SB72DP2		353GC241J-P1		
	215SB72P2		353GC242-P1		
MS-954P-20	215SB39P3		353GC269C-P1		
	215SB72BP3		353GC280B		
	215SB72CP3	S41418	353GC2139		
	215SB72DP3		353GC253-P1		
	215SB72P3		353GC269-P1		
MS-954P-30	215SB72CP4			353GC280B	
	215SB72DP4				
MS-954P	215SB39P1	S41678	353GC2133		
	215SB72BP1		353GC2142		
	215SB72CP1	SH-1450S	57GC2129		
	215SB72DP1		57GC2132		
	215SB72P1	SH-2141S	57GC2129		
OC 121	485GB3191A	SH-563S	57GC267		
	485GB3191A	SH-566WS	701GC11A		
	485GB3191B	SH-676S	57GC268		
	485GB3191B	SH-693S	59GB1109C		
			59GB1122P1		
OC 370	20539275		59GB122B		
OS21998	579GB41		59GB188CP1		
	579GB41C	SH-993S	57GC266		
OS32200	579GB41C	SS45885	446GC296		
OS32408	20706142		446GC328		
	41GC212	TW-422S	57GC279		
	579GB422		714GC157		
OX 80	236GB114		714GCA167P1		
	236GB114	TW-582S	57GC2144		
	236GB117		VS50421	601GB31C	
	236GB117		601GB31D		
	236GB217	VS50622	554GB321		
	236GB217				
	236GB233				
	236GB233				
	236GB241				
	236GB241				

MERCEDES-BENZ	MAHLE
000 016 00 40	VS50618 VS50621
000 016 04 21	VS50621
000 016 05 21	VS50618
000 053 35 58	SS46054
000 053 41 58	B45945A
000 053 46 58	B45940
000 053 51 58	B45940 HS54602 HS54622 HS54713
000 053 56 58	B45976
000 078 05 80	HS54816
0000322405	KX 35
0000900751	KX 72D1
0000901151	KX 49D KX 68D ECO
000090115167	KX 68D ECO
0000901251	KX 67/2D ECO
0000901351	KX 72D1
0000901451	KX 65D ECO
0000901551	KX 67/2D ECO
0000902051	KX 72D1
0000920205	KX 37
0000920501	KC 22
0000921505	KX 43
0000921705	KX 37
0000921905	KX 43
0000922305	KX 35
0000922405	KX 35
0000922705	KX 68D ECO
0000923405	KX 37
0000924105	KX 72D1
0000925405	KX 68D ECO
0000926901	KX 35
0000929001	KC 22
0000929501	KC 22
0001800009	OX 47D
0001800209	OX 1D
0001800309	OX 32D
0001800409	OX 65D
0001800509	OX 32D
0001800609	OX 32D
0001801609	OX 161D ECO
0001801709	OX 174D ECO
0001802109	OX 348D ECO
0001802409	OX 33D OX 34D
0001802509	OX 78D
0001802609	OX 345/7D ECO

MERCEDES-BENZ	MAHLE
0001802909	OX 348D ECO
0001803109	OX 345/7D ECO
0001842225	OX 42
0001842325	OX 42
0001843825	OX 69D
0001844225	OX 47D
0001848425	OX 1D
0001848525	OX 1
0001849825	OX 32D
0001849925	OX 32D
0002591V003	KL 165
0002591V004	KL 165
0004661304	HX 44
0004661604	HX 44
0004662104	HX 44
0004700192	KX 68D ECO
0004700192+D.1278852	KX 43
0004700922	KX 35
0004770815	KX 35
0004771015	KX 35
0004773115	KX 44D
0004773215	KX 44D
0004773515	KX 36D
0004773815	KX 43
0004774015	KX 36D OC 206
0004774215	KX 43
0004774515	KX 36D OC 206
0004774715	KX 35
0004775015	KX 39
0004775315	KX 35
0004775715	KX 43
0004776415	KX 35
0004776815	KX 43
0004776915	KX 35
000925405	KX 49D
001 094 03 01	LX 3023
001 997 33 45	C31633
001 997 50 41	CS54691 JV5133
001 997 51 41	CS54691 JV5133
001 997 55 41	C32235 CS54691
001 997 96 46	46818
0010920301	KC 218
0010920401	KC 22
0010920501	KC 22

MERCEDES-BENZ	MAHLE
0010921452	KC 63/1D
0010922201	KC 63/1D
0010922301	KC 63/1D
0010922302	KC 63/1D
0010922401	KC 63/1D
0010922501	KC 22
0010923201	KC 22
0010928401	KC 63/1D
0010928401 O.D.	KC 63/1D
0010929001	KC 63/1D
0010962199KZ	001 TC 15074 000
0010962499	001 TC 24658 000
0010965999KZ	001 TC 10477 000
0010968199	001 TC 10711 000
0011840125	OX 69D
0011840225	OX 71D
0011840325	OX 69D
0011840425	OX 71D
0011840525	OX 71D
0011840625	OX 69D
0011841025 O.D.	OX 65D
0011842525	OX 69D
0011843025	OX 65D
0011843825	OX 69D
0011845925	OX 32D
0011846425	OX 32D
0011846525	OX 32D
0011849025	OX 92D
0011849125	OX 92D
0011849425	OX 92D
0011849825	OX 32D
0014770301	KL 19
0014772101	KL 23 OF
0014773301	KL 23 OF
0014774201	KL 23 OF
0014775601	KL 23 OF
0014775901	KL 19
0014776301	KL 33 OF
0014776401	KL 33 OF
0014776601	KL 33 OF
0014776901	KL 23 OF
0014777901	KL 33 OF
0014778401	KL 19
0014778701	KL 38
0014778901	KL 19
0018354447	KC 102
0020920801	KC 87D
0020923001 O.D.	KC 63/1D
0020961099KZ	001 TC 25286 000

MERCEDES-BENZ	MAHLE
0020961299KZ	001 TC 10748 000
0020968499	001 TC 24464 000
0021847725	OX 69D
0022847725	OX 69D
0024770301	KL 19
0024770401	KL 19
0024770601	KL 19
0024770701	KL 19
0024770801	KL 19
0024771301	KL 38
0024771701	KL 38
0024771801	KL 19
0024771901	KL 19
0024772001	KL 19
0024772601	KL 65
0024772701	KL 65
0024772801	KL 65
0024773001	KL 82
0024773101	KL 82
0024773801	KL 87
0024773901	KL 87
0024774401	KL 38
0024774501	KL 19
0024775301	KL 254
0024776101	KL 254
003 030 97 24	42210
003 989 98 20	HS54816
0030960099	001 TC 10534 000
0040964099	001 TC 10670 000
0040964199	001 TC 10670 000
0040967699	001 TC 10670 000
0040967999	001 TC 24445 000
0040969299	001 TC 10613 000
0050963699KZ	001 TC 25803 000
0050967199	001 TC 14640 000
0050967299	001 TC 14640 000
0050969399	001 TC 10534 000
006 997 75 48	CS54691
0060963799	001 TC 14640 000
0060963899	001 TC 14640 000
0060963999	001 TC 24148 000
007 603 01 41 00	HS54621 HS54621A
0070962999	001 TC 24149 000
0070969199	001 TC 24153 000
007603 010404	CS54691
007603 012111	CS54691
007603 022403	CS54691
007603014102	HS54691

MERCEDES-BENZ	MAHLE
007603014106	CS54590 CS54602 CS54622 CS54691 OS32291
008 096 1899	001 TC 14640 000
0080961699	001 TC 14640 000
0080961799	001 TC 14640 000
0080962999	001 TC 24110 000
0090961799	001 TC 14640 000
0090961899	001 TC 14640 000
0090968699	001 TC 14640 000
0090968799	001 TC 14640 000
010 997 23 48	HS54691
013 997 00 45	HS54816
013 997 14 47	67959
013 997 36 45	C31964 HS54602 HS54713
013 997 90 45	GS33503 GS33503A HS54622 HS54713
013 997 91 45	GS33512A HS54621A HS54691
013 997 98 45	CS54691
0139972345	CS54622
014 997 46 47	67960
014 997 64 45	HS54816
014 997 70 46	67769
0149973148	CS54602
0149976945	HS54602
015 997 23 48	HS54621 HS54621A
015 997 61 45	C31929 HS54602 HS54713
016 997 82 48	HS54836
017 997 21 48	67784 HS54621 HS54621A
017 997 74 47	JV1696
018 997 19 47	67769
018 997 79 47	67836
019 997 11 48	HS54691
019 997 13 48	GS33496 GS33496A GS33503 GS33503A GS33512 GS33512A HS54589

MERCEDES-BENZ	MAHLE
019 997 13 48	HS54602 HS54612 HS54617 HS54621 HS54621A HS54622 HS54691 HS54713
019 997 36 48	OS32402
021 997 07 48	C31971 HS54621 HS54621A
021 997 18 47	67769
021 997 53 47	67936
022 997 25 48	HS54691
022 997 76 47	67937
023 997 82 48	HS54816
023 997 84 47	67769 CS54590 CS54602 CS54622 JV5078 JV5082 JV5090 JV5133
024 997 70 48	CS54691
027 997 27 48	CS54691
027 997 90 48	CS54691
029 997 21 48	C32238 CS54691
029 997 32 48	HS54691 JV5133
029 997 35 48	CS54691
029 997 71 48	HS54621A
102 010 62 41	HS54699
102 014 07 22	OS32345
102 016 04 21	VS50516
102 016 05 21	VS50285
102 016 11 21	VS50516
102 016 12 21	VS50285
102 016 24 20	54699
102 142 14 80	MS19621
102 142 15 80	MS19621
102 201 00 80	K32276
102 201 01 80	K32276
102 990 08 10	GS33513 GS33558
1021800009	OX 33D
1021800109	OX 34D
1021840001	OC 110 OC 110 OF
1021840025	OX 33D

MERCEDES-BENZ	MAHLE
1021840101	OC 110 OC 110 OF
1021840201	OC 110 OC 110 OF
1021840225	OX 33D
1021840301	OC 110 OC 110 OF
1021840325	OX 33D OX 34D
1021840425	OX 33D
1021840501	OC 110 OC 110 OF
1021840825	OX 33D
103 010 00 80	CS54697
103 010 03 80	HS54697
103 010 44 08	CS54697
103 010 45 08	CS54697
103 010 53 20	HS54697
103 010 54 20	HS54710
103 014 01 22	OS32341
103 014 03 22	OS32341
103 014 04 22	OS32341
103 015 00 21	VS50286
103 016 06 20	54697
103 016 08 20	54697
103 016 10 20	54697
103 016 18 20	54697
103 016 19 20	54710
103 016 20 20	54697
103 050 01 58	B45997 B45998
103 141 03 80	MS19614
103 141 08 80	MS19614
103 141 11 80	MS19614
103 142 13 80	MS19615
103 142 14 80	MS19615
1031800610	OC 110 OC 110 OF
1031840001	OC 110 OC 110 OF
1031840201	OC 110 OC 110 OF
104 010 14 08	CS54683
104 010 21 30	VS50509
104 010 37 20	HS54683
104 015 02 20	T32233
104 016 16 20	54683
104 016 22 20	54683
104 016 23 20	54683
104 016 28 20	54683
104 141 10 80	MS19587

MERCEDES-BENZ	MAHLE
104 142 02 80	MS19588
104 142 03 80	MS19588
104 142 07 80	MS19588
111 010 30 20	HS54693
111 010 31 08	CS54620
111 010 41 20	HS54709
111 010 59 20	HS54621B
111 010 61 20	HS54620
111 010 62 20	HS54620
111 010 69 20	HS54620A
111 014 01 22	OS32290
111 014 02 22	OS32290
111 016 02 21	HS54621 HS54621A
111 016 03 20	54693
111 016 05 20	54693
111 016 07 21	HS54621 HS54621A HS54693 VS50446
111 016 09 21	HS54693 VS50446
111 016 11 20	54693
111 016 26 20	54693
111 016 31 20	54621
111 016 32 20	54620 HS54621 HS54621A
111 098 00 80	HS54621
111 098 01 80	HS54621
111 098 03 80	HS54621A
111 098 08 80	HS54621A
111 141 05 80	MS19616
111 141 10 80	HS54621
111 141 11 80	HS54621A
111 141 12 80	HS54621 MS19448
111 141 13 80	HS54621A MS19435
111 142 03 80	MS19434
111 142 05 80	MS19434
111 142 07 80	MS19617
111 142 08 80	HS54621 HS54621A MS19434
111 201 00 80	K31970
112 016 02 21	HS54589 VS50432 VS50432SL
112 016 03 20	54589 HS54589

MERCEDES-BENZ	MAHLE
112 016 03 21	HS54589 HS54612 VS50432 VS50432SR
112 016 04 20	54590 HS54589
112 018 00 80	CS54590 CS54602 CS54622
112 141 20 80	HS54589 MS19392
112 142 01 80	HS54589 HS54612 HS54617 MS19393 MS19393A
112 142 02 80	G31884 HS54589 HS54612 HS54617
112 184 00 61	CS54590
112 184 02 61	B31885
112 184 03 61	B31886
112 201 00 80	CS54590 K31933
112 201 01 80	CS54590 K31934
112 203 00 76	C31887 HS54589 HS54612 HS54617
112 460 02 61	46818
112 990 02 12	GS33497 GS33497A
112 990 03 12	GS33497 GS33497A
112 997 02 46	CS54590 JV1692
112 997 03 46	JV1692
112 997 08 45	CS54590 CS54602 CS54622 JV5078 JV5082
1121410380	HS54589 HS54617
1121412180	HS54612
1121840225 O.D.	OX 153D3 ECO
1121840525	OX 345/7D ECO
1121840625	OX 345/7D ECO
1122380080	HS54589 HS54612 HS54617
113 016 00 20	54617



MERCEDES-BENZ	MAHLE
113 016 01 20	54618
113 016 02 20	54612
113 016 02 21	HS54612 HS54617 VS50442 VS50442SL
113 016 03 20	54611
113 016 03 21	HS54617 VS50442 VS50442SR
113 016 04 20	54612 HS54612
113 016 05 20	54611 HS54612
113 016 09 20	54617 HS54617
113 016 10 20	54618 HS54617
113 141 09 80	HS54612 HS54617 MS19439
1131840225	OX 260D
1152770495	HX 45
116 016 05 21	VS50039
116 016 06 21	VS50039
116 997 02 46	67853
119 010 13 30	VS50519SL
119 010 14 30	HS54704 VS50519SR
119 010 23 30	VS50520SL
119 010 24 30	VS50520SR
119 010 44 08	CS54703
119 010 45 08	CS54705
119 010 50 21	HS54704
119 014 03 22	OS32348
119 014 06 22	OS32347
119 014 08 22	OS32346
119 016 26 20	54703
119 016 27 20	54704
119 016 35 20	54705
119 016 36 20	54706
119 016 37 20	54707
119 016 38 20	54708
119 141 15 80	MS19627
119 141 24 80	MS19628
119 141 25 80	MS19628
119 141 26 80	MS19627
119 142 13 80	MS19626
119 201 03 80	K32290
119 990 08 12	GS33562 GS33563

MERCEDES-BENZ	MAHLE
119 990 09 12	GS33563
1191800009	OX 92D
1191801510	OX 92D
1191801610	OX 92D
120 997 02 46	67853
120 997 03 46	67786
1201800009	OX 147D
1201840125	OX 147D
1201840125 O.D.	OX 147D
126 997 00 41	CS54590 CS54602
1292770195	HX 48
132 180 00 10	OC 607
132 180 01 10	OC 607
1601800310	OX 346D ECO
1601840025	OX 346D ECO
1601840025 O.D.	OX 346D ECO
1601840125 O.D.	OX 346D ECO
1601840225	OX 346D ECO
1621803009	OX 133D
1634770201	KL 437
1634770401	KL 438
1634770501	KL 437
1634770501MULTI	KL 437
1634770701	KL 437
1634770801	KL 438
1684700290	KL 87
219 492 00 80	HS54816
219 977 64 7	67769 CS54691
219 977 64 7	67769 CS54691
271 011 05 32	67837
271 016 01 21	HS54691 VS50512
271 016 03 20	54691
271 016 03 69	GS33554
271 016 07 21	HS54691 VS50512
271 016 09 21	HS54691 VS50512
271 016 11 20	HS54691
271 141 08 80	HS54691
271 142 02 80	G32234 HS54691
271 142 03 80	HS54691 MS19593
271 184 00 80	CS54691
271 184 01 80	CS54691
271 203 02 80	CS54691 K32244

MERCEDES-BENZ	MAHLE
271 238 00 80	HS54691
271 238 01 80	HS54691
271 997 00 45	C32239 CS54691
272 010 04 14	67780
272 010 05 14	67780 CS54602
272 010 06 14	67780
272 010 08 14	67780
272 016 00 20	54603 HS54602
272 016 01 20	54602 HS54602
272 016 11 20	54603
272 016 12 20	54602
272 016 13 20	54713 HS54713
272 016 14 20	54714 HS54713
272 016 15 20	54602
272 016 19 20	54603
272 016 20 20	54602
272 141 09 80	HS54602 HS54713
272 141 22 80	HS54602 HS54713 MS19410
272 141 23 80	HS54602 HS54713 MS19410
272 142 00 80	HS54602 HS54713 MS19411
272 142 06 80	MS19411
272 184 02 80	B31973
272 201 00 80	CS54602 K31965
272 201 02 80	CS54602 CS54622 K31966
272 203 00 80	C31968 HS54602 HS54713
272 203 01 80	C31967 HS54602 HS54622 HS54713
272 997 00 45	CS54602 CS54622 JV5082
2721840080	CS54602 CS54622
2721840225	OX 345/7D ECO

MERCEDES-BENZ	MAHLE
2722380080	HS54602 HS54622 HS54713
2722380280	HS54602 HS54622 HS54713
273 016 08 20	54623
273 016 09 20	54622
273 016 14 20	54623 HS54622
273 016 15 20	54622 HS54622
273 016 16 20	54623
273 016 17 20	54622
273 141 06 80	HS54622
273 141 08 80	HS54622 MS19437
273 142 01 80	HS54622 MS19438
2751800009	OX 383D ECO
2751840025	OX 383D OX 383D ECO
305 997 03 45	HS54589 HS54612 HS54617
3141800009	OX 85D
344 030 10 40	MS-2333P-.25MM
344 030 11 40	MS-2333P-.50MM
344 030 12 40	MS-2333P-.75MM
344 050 00 51	SH-2188S
3444700092	KX 43
3444777215	KX 43
344700092	KX 43
3450967399	001 TC 24626 000
3450968299	001 TC 24658 000
346 017 01 60	HS54836
352 011 12 10	226-4609
352 011 16 10	226-4609
352 038 21 50	223-3727
3520961599	001 TC 10570 000
3520964299	286 TC 31101 000
3524700092	KX 49D KX 68D ECO KX 72D1
3554700092	KX 65D ECO
3554700192	KX 36D
364 030 03 60	CB-1952P(6) CB-1952P-.25MM(6) CB-1952P-.50MM(6) CB-1952P-.75MM(6)
364 030 04 60	CB-1952P-.25MM(6)
364 030 05 60	CB-1952P-.50MM(6)

MERCEDES-BENZ	MAHLE
364 030 07 60	CB-1952P-.75MM(6)
3640964699	001 TC 24496 000
3640966099	001 TC 10540 000
366 010 44 08	CS54836
366 010 61 20	HS54836
366 030 00 17	225-3836
366 030 00 24	3007KM S42159
366 030 00 40	MS-2333P
366 030 14 18	225-3839
366 030 73 17	225-3837
366 037 02 01	224-3836
366 037 73 01	224-3837
366 037 97 01	224-3839
366 050 00 27	211-4300
366 050 02 26	211-4302
366 050 02 27	211-4306
366 050 03 26	211-4301
366 050 06 27	211-4299
366 050 12 26	211-4303
366 990 03 01	GS33646
3660960299KZ	001 TC 10663 000
3660960799KZ	001 TC 25876 000
3740967099	001 TC 24359 000
376 030 02 24	3007KM S42159
376 038 70 50	223-3727
376 096 7099	001 TC 31101 000
3900920001	KC 28
4011800009	OX 71D
4021800009	OX 69D
403 142 03 80	MS19861
4031840025	OX 69D
422 016 04 20	54757
422 053 01 96	HS54757 SS46053
422 990 02 01	GS33662
422 990 03 01	GS33662
422 990 04 01	GS33662
4220900051	KX 65D ECO
422090005167	KX 65D ECO
4220920005	KX 65D ECO
4220920005 O.D.	KX 65D ECO
4221800210	OX 69D
442 016 06 21	VS50633
442 016 07 21	VS50633
442 141 17 80	MS19860
444 010 01 20	HS54757
447 011 01 10	226-4607
447 011 02 10	226-4607

MERCEDES-BENZ	MAHLE
447 014 00 22	OS32413
457 010 01 05	CS54863
457 010 31 20	HS54885
457 016 00 21	VS50634
457 016 01 21	VS50635
457 016 11 20	54742
457 141 00 80	MS19862
457 142 01 80	MS19863
457 990 02 01	GS33663
4570900051	KX 80D ECO
4571840125	OX 348D ECO
460 016 02 20	54742
4620960399	001 TC 10534 000
4750977399KZ	001 TC 10613 000
476 038 00 50	223-3683
476 050 00 51	SH-2131S
4760967899KZ	001 TC 25913 000 001 TC 25937 000
4760968199	001 TC 24129 000
5117 399AA	211-4262
5117 402AA	211-4263
541 038 00 50	223-3684
541 142 04 80	MS19864
5410900051	KX 80D ECO
5410900151	KX 80D ECO
5410900852	KX 80D ECO
5410920305	KX 80D ECO
5410920405	KX 80D ECO
5410920505	KX 80D ECO
5410920605	KX 80D ECO
5410920805	KX 80D ECO
5410920905	KX 80D ECO
601 030 00 62	TW-620S
601 201 03 80	K32311
601 997 04 48	CS54691
6010900352	KC 63/1D
6010901452	KC 63/1D
6010901552	KC 63/1D
6010920101	KC 63/1D
6011800009	OX 38D
6011800109	OX 38D
6011800210	OX 38D
6011840025	OX 38D
6011840125	OX 38D
6011840210	OX 38D
602 030 20 40	MS-2248P MS-2331P
602 030 21 40	MS-2248P-.25MM MS-2331P-.25MM
602 030 22 40	MS-2248P-.50MM

MERCEDES-BENZ	MAHLE
602 030 22 40	MS-2331P-.50MM
6020900552	KC 87D
603 990 02 10	GS33568
603 990 03 10	GS33568
6040920001	KC 63/1D
6040920301 O.D.	KC 63/1D
606 010 13 05	CS54717
606 010 13 20	HS54717
606 010 46 20	HS54717A
606 014 00 22	OS32337
606 016 02 21	VS50530
606 016 03 20	54717
606 016 04 21	VS50530
606 141 01 80	MS19643
606 142 03 80	MS19648
606 142 04 80	MS19649
606 997 01 45	HS54816
6071840025	OX 13
611 010 01 14	JV1680
611 010 02 14	JV1680
611 010 06 05	CS54779
611 014 02 22	OS32290 OS32377
611 015 01 80	JV5090 T31767
611 016 02 21	HS54429 VS50377 VS50574
611 016 11 20	54779
611 030 00 24	41932 42209
611 030 00 60	CB-1842P
611 030 01 60	CB-1842P-.25MM CB-1842P-.25MM(4) CB-1842P-.25MM(5)
611 030 02 60	CB-1842P-.50MM CB-1842P-.50MM(4) CB-1842P-.50MM(5)
611 030 12 17	224-3366WR
611 030 1417	224-3366WR
611 038 00 50	223-3665
611 098 03 80	MS19746
611 142 07 80	MS19744
611 201 02 80	K31768
611 203 03 80	C31769
611 990 13 22	GS33422 GS33422A GS33422B
6110900852	KL 100/2
6110920601	KL 100/2
6111800009	OX 153D3 ECO

MERCEDES-BENZ	MAHLE
612 010 14 05	CS54429
612 010 18 20	HS54429
612 014 01 22	OS32263
612 030 01 60	CB-1842P-.25MM CB-1842P-.25MM(4) CB-1842P-.25MM(5)
612 030 02 60	CB-1842P-.50MM CB-1842P-.50MM(4) CB-1842P-.50MM(5)
612 030 04 17	224-3366WR
612 050 00 58	B45945 HS54429 HS54589 HS54612 HS54617 HS54621 HS54621A HS54693
612 141 01 80	MS19270
612 142 03 80	MS19271
6120920001	KL 195
6120960399	001 TC 15049 000
613 010 05 05	CS54627
613 010 11 20	HS54627
613 016 01 21	VS50451
613 141 01 80	MS19446
613 142 04 80	MS19447
615 990 02 12	GS33560
6150920101	KL 33 OF
6151840025	OX 78D
6161800009	OX 78D
6161800510	OX 78D
617 016 01 80	VS50284
6171800009	OX 78D
6171800125	OX 78D
6171840025	OX 78D
6171840125	OX 78D
628 053 00 01	211-4262
628 053 00 05	211-4263
642 016 02 80	HS54816
642 016 21 20	HS54816
642 016 22 20	HS54816
642 078 00 80	HS54816
642 098 01 80	HS54816
642 098 02 80	HS54816
642 098 07 80	HS54816
642 141 00 80	HS54816
642 141 05 80	HS54816
642 141 06 80	HS54816
642 142 00 80	HS54816
642 142 05 80	HS54816

MERCEDES-BENZ	MAHLE
642 142 07 81	HS54816
642 142 11 80	HS54816
642 142 12 80	HS54816
642 142 13 80	HS54816
642 142 18 80	HS54816
642 143 13 80	HS54816
6420900152	KL 228/2D
6420900452	KL 228/2D
6420900552	KL 228/2D
6420901652	KL 723D
6420901752	KL 490D
6420901852	KL 490D
6420902052	KL 490D
6420902252	KL 490/1D
6420902352	KL 490/1D
6420920101	KL 228/2D
6420920201	KL 723D
6420920301	KL 490D
6420920401	KL 490/1D
6420920501	KL 228/2D
6420920701	KL 228/2D
646 014 03 22	OS32377
646 016 05 20	54779
646 016 12 21	VS50574
646 030 03 24	41932 42209
6460900252	KL 228/2D
6460900852	KL 228/2D
6460920001	KL 313
6460920201	KL 228/2D
6460920301	KL 313
6460920501	KL 313
6460920601	KL 228/2D
6460920701	KL 228/2D
647 016 01 21	HS54429 VS50377
647 016 06 20	54429
648 014 00 22	OS32291
648 016 00 21	VS50452
648 016 03 20	54627
6610903055	KC 63/1D
6610923101	KC 63/1D
83120880150	KX 67/2D ECO
904 010 80 20	HS54837
904 014 07 22	OS32406
904 014 09 22	OS32402
904 016 06 21	VS50617
904 016 10 20	FS54837
904 016 13 20	54837
904 030 01 60	CB-1895P-.25MM(4)



MERCEDES-BENZ	MAHLE
904 030 02 60	CB-1895P-.50MM(4)
904 030 13 40	MS-2282P MS-2283P
904 030 15 40	MS-2282P-.25MM MS-2283P-.25MM
904 030 16 40	MS-2282P-.50MM MS-2283P-.50MM
904 030 3160	CB-1888P(4) CB-1888P-.25MM(4) CB-1888P-.50MM(4)
904 030 43 60	CB-1895P CB-1895P(4)
904 141 02 80	FS54837 FS54838
9040963699	001 TC 24498 000
9040966099	001 TC 24501 000
9040966199	001 TC 24502 000
9040966699	001 TC 24503 000
9041800009	OX 161D ECO
9041800310	OX 161D ECO
9041840066	OX 161D ECO
906 010 04 21	HS54838
906 010 14 05	CS54837 FS54837
906 010 15 05	FS54838
906 011 01 10	226-4606
906 014 04 22	OS32401
906 014 05 22	OS32407
906 014 07 22	OS32401
906 016 00 80	VS50617 VS50619
906 016 06 21	VS50619
906 016 07 69	GS33647 GS33648
906 016 11 20	FS54838
906 016 12 20	54838
906 030 07 60	CB-1895P(6) CB-1896P
906 030 09 60	CB-1895P-.25MM(6)
906 030 10 60	CB-1895P-.50MM(6)
906 030 3160	CB-1888P(6) CB-1888P-.25MM(6) CB-1888P-.50MM(6)
906 030 32 17	225-3841
906 030 36 17	225-3841
906 030 5617	225-3842
906 033 05 62	TW-705S
906 050 03 26	211-4305
906 050 03 27	211-4304
906 051 0350	SH-2182S SH-2184S

MERCEDES-BENZ	MAHLE
906 051 0550	SH-2182S SH-2184S
906 051 0950	SH-2182S SH-2184S
906 053 01 58	SS46045 SS46058 SS46060
906 053 03 58	B45984 SS46059 SS46061
906 053 04 58	B45984
906 141 01 80	FS54837 FS54838
906 141 04 80	MS19753
906 142 02 80	FS54837 FS54838
906 142 11 80	MS19752
9060900051	KX 67/2D ECO
9060920105	KX 67/2D ECO
9060920205	KX 67/2D ECO
9060920305	KX 67/2D ECO
9060920505	KX 67/2D ECO
9060960999	001 TC 15055 000 001 TC 31102 000
9060962799	001 TC 15055 000 001 TC 31102 000
9060962899	001 TC 31102 000
9060963099	001 TC 15055 000
9060964699	001 TC 15055 000 001 TC 31102 000
9060965199	001 TC 31102 000
9060965399	001 TC 15055 000 001 TC 31102 000
9060969099	001 TC 15055 000
9061800009	OX 174D ECO
9061800109	OX 161D ECO
9061800209	OX 174D ECO
9061800810	OX 174D ECO
924 010 03 20	HS54744
924 016 07 20	54744
924 096 1799	001 TC 31103 000
926 010 03 20	HS54743
926 016 08 20	54743
926 030 00 60	CB-1896P
926 030 02 60	CB-1895P-.25MM(6)
926 142 00 80	MS19752
A 001 092 03 01	KC 218
A 001 094 03 01	LX 3023
A 132 180 01 10	OC 607
A0001801609	OX 161D ECO
A0001801709	OX 174D ECO

MERCEDES-BENZ	MAHLE
A0001802109	OX 348D ECO
A0001802909	OX 348D ECO
A0018354447	KC 102
A1321800010	OC 607
A352096449980	001 TC 25774 000
A366 030 0040	MS-2333P MS-2333P-.25MM
A457 030 06 60	CB-1901P
A457 030 1160	CB-1951P(6)
A4571840125	OX 348D ECO
A460 030 0040	MS-2332P
A5410900151	KX 80D ECO
A5410920805	KX 80D ECO
A6010901652	KC 63/1D
A611 030 13 17	224-3585WR
A611 037 11 01	224-3364 224-3364WR
A6111800009	OX 153D3 ECO
A612 030 00 60	CB-1842P CB-1842P(4) CB-1842P(5)
A6120920001	KL 195
A642 016 18 20	54816
A642 016 21 20	54817
A642 016 22 20	54816
A642 016 51 20	54816
A642 016 52 20	54817
A642 141 05 80	MS19834
A642 142 00 80	MS19833
A6420901652	KL 723D
A6420920201	KL 723D
A6420920701	KL 228/2D
A6421800009	OX 380D
A6421840025	OX 380D
A904 030 13 40	MS-2281P
A904 030 4360	CB-1888P(4)
A9040300740	MS-2281P
A9040301440	MS-2280P-.25MM MS-2281P-.25MM
A9040301540	MS-2280P-.25MM MS-2281P-.25MM
A9040301640	MS-2280P-.50MM MS-2281P-.50MM
A9040968899	001 TC 21101 000
A906 030 14 60	CB-1888P(6)
A906 038 0650	223-3685 223-3686
A9060300060	CB-1888P(6)
A9060300260	CB-1888P-.25MM(4) CB-1888P-.25MM(6)
A9060300360	CB-1888P-.25MM(4)

MERCEDES-BENZ	MAHLE
A9060300360	CB-1888P-.25MM(6)
A9060300460	CB-1888P-.50MM(4) CB-1888P-.50MM(6)
A9060301560	CB-1888P-.25MM(4) CB-1888P-.25MM(6)
A9060301660	CB-1888P-.25MM(4) CB-1888P-.25MM(6)
A9060301760	CB-1888P-.50MM(4) CB-1888P-.50MM(6)
A9060303260	CB-1888P(6)
A9060303360	CB-1888P-.25MM(4) CB-1888P-.25MM(6)
A9060303460	CB-1888P-.25MM(4) CB-1888P-.25MM(6)
A9060303560	CB-1888P-.50MM(4) CB-1888P-.50MM(6)
A9060303860	CB-1888P(6)
A9060303960	CB-1888P-.25MM(4) CB-1888P-.25MM(6)
A9060304060	CB-1888P-.25MM(4) CB-1888P-.25MM(6)
A9060304160	CB-1888P-.50MM(4) CB-1888P-.50MM(6)
A9060304860	CB-1888P(6)
A9060304960	CB-1888P-.25MM(4) CB-1888P-.25MM(6)
A9060305060	CB-1888P-.25MM(4) CB-1888P-.25MM(6)
A9060330562	TW-705S
A9060380150	223-3685 223-3686
A9060381511	CB-1888P(6)
A9060381910	CB-1888P(6)
A9060967699	001 TC 15055 000 001 TC 31102 000
A9061800109	OX 161D ECO
A9061800209	OX 174D ECO
A926 030 00 40	MS-2280P
A9260300360	CB-1888P(6)
A9260300460	CB-1888P-.25MM(4) CB-1888P-.25MM(6)
A9260300560	CB-1888P-.25MM(4) CB-1888P-.25MM(6)
B20X32DIN6504	46818
RA 904 096 88 99	001 TC 21101 000

MAHLE Original	MERCEDES-BENZ
001 TC 10477 000	0010965999KZ
001 TC 10534 000	0030960099 0050969399 4620960399
001 TC 10540 000	3640966099
001 TC 10570 000	3520961599
001 TC 10613 000	0040969299 4750977399KZ
001 TC 10663 000	3660960299KZ
001 TC 10670 000	0040964099 0040964199 0040967699
001 TC 10711 000	0010968199
001 TC 10748 000	0020961299KZ
001 TC 14640 000	0050967199 0050967299 0060963799 0060963899 008 096 1899 0080961699 0080961799 0090961799 0090961899 0090968699 0090968799
001 TC 15049 000	6120960399
001 TC 15055 000	9060960999 9060962799 9060963099 9060964699 9060965399 9060969099 A9060967699
001 TC 15074 000	0010962199KZ
001 TC 21101 000	A9040968899 RA 904 096 88 99
001 TC 24110 000	0080962999
001 TC 24129 000	4760968199
001 TC 24148 000	0060963999
001 TC 24149 000	0070962999
001 TC 24153 000	0070969199
001 TC 24359 000	3740967099
001 TC 24445 000	0040967999

MAHLE Original	MERCEDES-BENZ
001 TC 24464 000	0020968499
001 TC 24496 000	3640964699
001 TC 24498 000	9040963699
001 TC 24501 000	9040966099
001 TC 24502 000	9040966199
001 TC 24503 000	9040966699
001 TC 24626 000	3450967399
001 TC 24658 000	0010962499 3450968299
001 TC 25286 000	0020961099KZ
001 TC 25774 000	A352096449980
001 TC 25803 000	0050963699KZ
001 TC 25876 000	3660960799KZ
001 TC 25913 000	4760967899KZ
001 TC 25937 000	4760967899KZ
001 TC 31101 000	376 096 7099
001 TC 31102 000	9060960999 9060962799 9060962899 9060964699 9060965199 9060965399 A9060967699
001 TC 31103 000	924 096 1799
211-4262	5117 399AA 628 053 00 01
211-4263	5117 402AA 628 053 00 05
211-4299	366 050 06 27
211-4300	366 050 00 27
211-4301	366 050 03 26
211-4302	366 050 02 26
211-4303	366 050 12 26
211-4304	906 050 03 27
211-4305	906 050 03 26
211-4306	366 050 02 27
223-3665	611 038 00 50
223-3683	476 038 00 50
223-3684	541 038 00 50
223-3685	A906 038 0650 A9060380150

MAHLE Original	MERCEDES-BENZ
223-3686	A906 038 0650 A9060380150
223-3727	352 038 21 50 376 038 70 50
224-3364WR	A611 037 11 01
224-3364	A611 037 11 01
224-3366WR	611 030 12 17 611 030 1417 612 030 04 17
224-3585WR	A611 030 13 17
224-3836	366 037 02 01
224-3837	366 037 73 01
224-3839	366 037 97 01
225-3836	366 030 00 17
225-3837	366 030 73 17
225-3839	366 030 14 18
225-3841	906 030 32 17 906 030 36 17
225-3842	906 030 5617
226-4606	906 011 01 10
226-4607	447 011 01 10 447 011 02 10
226-4609	352 011 12 10 352 011 16 10
286 TC 31101 000	3520964299
3007KM	366 030 00 24 376 030 02 24
41932	611 030 00 24 646 030 03 24
42209	611 030 00 24 646 030 03 24
42210	003 030 97 24
46818	001 997 96 46 112 460 02 61 B20X32DIN6504
54429	647 016 06 20
54589	112 016 03 20
54590	112 016 04 20
54602	272 016 01 20 272 016 12 20 272 016 15 20 272 016 20 20
54603	272 016 00 20 272 016 11 20 272 016 19 20
54611	113 016 03 20 113 016 05 20
54612	113 016 02 20 113 016 04 20
54617	113 016 00 20 113 016 09 20
54618	113 016 01 20 113 016 10 20



MAHLE Original	MERCEDES-BENZ
54620	111 016 32 20
54621	111 016 31 20
54622	273 016 09 20
	273 016 15 20
	273 016 17 20
54623	273 016 08 20
	273 016 14 20
	273 016 16 20
54627	648 016 03 20
54683	104 016 16 20
	104 016 22 20
	104 016 23 20
	104 016 28 20
54691	271 016 03 20
54693	111 016 03 20
	111 016 05 20
	111 016 11 20
	111 016 26 20
54697	103 016 06 20
	103 016 08 20
	103 016 10 20
	103 016 18 20
	103 016 20 20
54699	102 016 24 20
54703	119 016 26 20
54704	119 016 27 20
54705	119 016 35 20
54706	119 016 36 20
54707	119 016 37 20
54708	119 016 38 20
54710	103 016 19 20
54713	272 016 13 20
54714	272 016 14 20
54717	606 016 03 20
54742	457 016 11 20
	460 016 02 20
54743	926 016 08 20
54744	924 016 07 20
54757	422 016 04 20
54779	611 016 11 20
	646 016 05 20
54816	A642 016 18 20
	A642 016 22 20
	A642 016 51 20
54817	A642 016 21 20
	A642 016 52 20
54837	904 016 13 20
54838	906 016 12 20
67769	014 997 70 46
	018 997 19 47
	021 997 18 47
	023 997 84 47
	219 977 64 7

MAHLE Original	MERCEDES-BENZ
67769	219 977 64 7
67780	272 010 04 14
	272 010 05 14
	272 010 06 14
	272 010 08 14
67784	017 997 21 48
67786	120 997 03 46
67836	018 997 79 47
67837	271 011 05 32
67853	116 997 02 46
	120 997 02 46
67936	021 997 53 47
67937	022 997 76 47
67959	013 997 14 47
67960	014 997 46 47
B31885	112 184 02 61
B31886	112 184 03 61
B31973	272 184 02 80
B45940	000 053 46 58
	000 053 51 58
B45945A	000 053 41 58
B45945	612 050 00 58
B45976	000 053 56 58
B45984	906 053 03 58
	906 053 04 58
B45997	103 050 01 58
B45998	103 050 01 58
C31633	001 997 33 45
C31769	611 203 03 80
C31887	112 203 00 76
C31929	015 997 61 45
C31964	013 997 36 45
C31967	272 203 01 80
C31968	272 203 00 80
C31971	021 997 07 48
C32235	001 997 55 41
C32238	029 997 21 48
C32239	271 997 00 45
CB-1842P(4)	A612 030 00 60
CB-1842P(5)	A612 030 00 60
CB-1842P-.25MM(4)	611 030 01 60
	612 030 01 60
CB-1842P-.25MM(5)	611 030 01 60
	612 030 01 60
CB-1842P-.25MM	611 030 01 60
	612 030 01 60
CB-1842P-.50MM(4)	611 030 02 60
	612 030 02 60
CB-1842P-.50MM(5)	611 030 02 60
	612 030 02 60
CB-1842P-.50MM	611 030 02 60

MAHLE Original	MERCEDES-BENZ
CB-1842P-.50MM	612 030 02 60
CB-1842P	611 030 00 60
	A612 030 00 60
CB-1888P(4)	904 030 3160
	A904 030 4360
CB-1888P(6)	906 030 3160
	A906 030 14 60
	A9060300060
	A9060303260
	A9060303860
	A9060304860
	A9060381511
	A9060381910
	A9260300360
CB-1888P-.25MM(4)	904 030 3160
	A9060300260
	A9060300360
	A9060301560
	A9060301660
	A9060303360
	A9060303460
	A9060303960
	A9060304060
	A9060304960
	A9060305060
	A9260300460
	A9260300560
CB-1888P-.25MM(6)	906 030 3160
	A9060300260
	A9060300360
	A9060301560
	A9060301660
	A9060303360
	A9060303460
	A9060303960
	A9060304060
	A9060304960
	A9060305060
	A9260300460
	A9260300560
CB-1888P-.50MM(4)	904 030 3160
	A9060300460
	A9060301760
	A9060303560
	A9060304160
CB-1888P-.50MM(6)	906 030 3160
	A9060300460
	A9060301760
	A9060303560
	A9060304160
CB-1895P(4)	904 030 43 60
CB-1895P(6)	906 030 07 60
CB-1895P-.25MM(4)	904 030 01 60
CB-1895P-.25MM(6)	906 030 09 60
	926 030 02 60

MAHLE Original	MERCEDES-BENZ
CB-1895P-.50MM(4)	904 030 02 60
CB-1895P-.50MM(6)	906 030 10 60
CB-1895P	904 030 43 60
CB-1896P	906 030 07 60 926 030 00 60
CB-1901P	A457 030 06 60
CB-1951P(6)	A457 030 1160
CB-1952P(6)	364 030 03 60
CB-1952P-.25MM(6)	364 030 03 60 364 030 04 60
CB-1952P-.50MM(6)	364 030 03 60 364 030 05 60
CB-1952P-.75MM(6)	364 030 03 60 364 030 07 60
CS54429	612 010 14 05
CS54590	007603014106 023 997 84 47 112 018 00 80 112 184 00 61 112 201 00 80 112 201 01 80 112 997 02 46 112 997 08 45 126 997 00 41
CS54602	007603014106 0149973148 023 997 84 47 112 018 00 80 112 997 08 45 126 997 00 41 272 010 05 14 272 201 00 80 272 201 02 80 272 997 00 45 2721840080
CS54620	111 010 31 08
CS54622	007603014106 0139972345 023 997 84 47 112 018 00 80 112 997 08 45 272 201 02 80 272 997 00 45 2721840080
CS54627	613 010 05 05
CS54683	104 010 14 08
CS54691	001 997 50 41 001 997 51 41 001 997 55 41 006 997 75 48 007603 010404 007603 012111 007603 022403 007603014106

MAHLE Original	MERCEDES-BENZ
CS54691	013 997 98 45 024 997 70 48 027 997 27 48 027 997 90 48 029 997 21 48 029 997 35 48 219 977 64 7 219 977 64 7 271 184 00 80 271 184 01 80 271 203 02 80 271 997 00 45 601 997 04 48
CS54697	103 010 00 80 103 010 44 08 103 010 45 08
CS54703	119 010 44 08
CS54705	119 010 45 08
CS54717	606 010 13 05
CS54779	611 010 06 05
CS54836	366 010 44 08
CS54837	906 010 14 05
CS54863	457 010 01 05
FS54837	904 016 10 20 904 141 02 80 906 010 14 05 906 141 01 80 906 142 02 80
FS54838	904 141 02 80 906 010 15 05 906 016 11 20 906 141 01 80 906 142 02 80
G31884	112 142 02 80
G32234	271 142 02 80
GS33422A	611 990 13 22
GS33422B	611 990 13 22
GS33422	611 990 13 22
GS33496A	019 997 13 48
GS33496	019 997 13 48
GS33497A	112 990 02 12 112 990 03 12
GS33497	112 990 02 12 112 990 03 12
GS33503A	013 997 90 45 019 997 13 48
GS33503	013 997 90 45 019 997 13 48
GS33512A	013 997 91 45 019 997 13 48
GS33512	019 997 13 48
GS33513	102 990 08 10
GS33554	271 016 03 69
GS33558	102 990 08 10

MAHLE Original	MERCEDES-BENZ
GS33560	615 990 02 12
GS33562	119 990 08 12
GS33563	119 990 08 12 119 990 09 12
GS33568	603 990 02 10 603 990 03 10
GS33646	366 990 03 01
GS33647	906 016 07 69
GS33648	906 016 07 69
GS33662	422 990 02 01 422 990 03 01 422 990 04 01
GS33663	457 990 02 01
HS54429	611 016 02 21 612 010 18 20 612 050 00 58 647 016 01 21
HS54589	019 997 13 48 112 016 02 21 112 016 03 20 112 016 03 21 112 016 04 20 112 141 20 80 112 142 01 80 112 142 02 80 112 203 00 76 1121410380 1122380080 305 997 03 45 612 050 00 58
HS54602	000 053 51 58 013 997 36 45 0149976945 015 997 61 45 019 997 13 48 272 016 00 20 272 016 01 20 272 141 09 80 272 141 22 80 272 141 23 80 272 142 00 80 272 203 00 80 272 203 01 80 2722380080 2722380280
HS54612	019 997 13 48 112 016 03 21 112 142 01 80 112 142 02 80 112 203 00 76 1121412180 1122380080 113 016 02 21 113 016 04 20 113 016 05 20 113 141 09 80



MAHLE Original	MERCEDES-BENZ	MAHLE Original	MERCEDES-BENZ	MAHLE Original	MERCEDES-BENZ
HS54612	305 997 03 45 612 050 00 58	HS54622	273 141 06 80 273 141 08 80 273 142 01 80	HS54816	013 997 00 45 014 997 64 45 023 997 82 48 219 492 00 80 606 997 01 45 642 016 02 80 642 016 21 20 642 016 22 20 642 078 00 80 642 098 01 80 642 098 02 80 642 098 07 80 642 141 00 80 642 141 05 80 642 141 06 80 642 142 00 80 642 142 05 80 642 142 07 81 642 142 11 80 642 142 12 80 642 142 13 80 642 142 18 80 642 143 13 80
HS54617	019 997 13 48 112 142 01 80 112 142 02 80 112 203 00 76 1121410380 1122380080 113 016 02 21 113 016 03 21 113 016 09 20 113 016 10 20 113 141 09 80 305 997 03 45 612 050 00 58	HS54627	613 010 11 20		
HS54620A	111 010 69 20	HS54683	104 010 37 20		
HS54620	111 010 61 20 111 010 62 20	HS54691	007603014102 010 997 23 48 013 997 91 45 019 997 11 48 019 997 13 48 022 997 25 48 029 997 32 48 271 016 01 21 271 016 07 21 271 016 09 21 271 016 11 20 271 141 08 80 271 142 02 80 271 142 03 80 271 238 00 80 271 238 01 80		
HS54621A	007 603 01 41 00 013 997 91 45 015 997 23 48 017 997 21 48 019 997 13 48 021 997 07 48 029 997 71 48 111 016 02 21 111 016 07 21 111 016 32 20 111 098 03 80 111 098 08 80 111 141 11 80 111 141 13 80 111 142 08 80 612 050 00 58	HS54693	111 010 30 20 111 016 07 21 111 016 09 21 612 050 00 58	HS54836	016 997 82 48 346 017 01 60 366 010 61 20
HS54621B	111 010 59 20	HS54697	103 010 03 80 103 010 53 20	HS54837	904 010 80 20
HS54621	007 603 01 41 00 015 997 23 48 017 997 21 48 019 997 13 48 021 997 07 48 111 016 02 21 111 016 07 21 111 016 32 20 111 098 00 80 111 098 01 80 111 141 10 80 111 141 12 80 111 142 08 80 612 050 00 58	HS54699	102 010 62 41	HS54838	906 010 04 21
HS54622	000 053 51 58 013 997 90 45 019 997 13 48 272 203 01 80 2722380080 2722380280 273 016 14 20 273 016 15 20	HS54704	119 010 14 30 119 010 50 21	HS54885	457 010 31 20
		HS54709	111 010 41 20	HX 44	0004661304 0004661604 0004662104
		HS54710	103 010 54 20	HX 45	1152770495
		HS54713	000 053 51 58 013 997 36 45 013 997 90 45 015 997 61 45 019 997 13 48 272 016 13 20 272 016 14 20 272 141 09 80 272 141 22 80 272 141 23 80 272 142 00 80 272 203 00 80 272 203 01 80 2722380080 2722380280	HX 48	1292770195
		HS54717A	606 010 46 20	JV1680	611 010 01 14 611 010 02 14
		HS54717	606 010 13 20	JV1692	112 997 02 46 112 997 03 46
		HS54743	926 010 03 20	JV1696	017 997 74 47
		HS54744	924 010 03 20	JV5078	023 997 84 47 112 997 08 45
		HS54757	422 053 01 96 444 010 01 20	JV5082	023 997 84 47 112 997 08 45 272 997 00 45
		HS54816	000 078 05 80 003 989 98 20	JV5090	023 997 84 47 611 015 01 80
				JV5133	001 997 50 41 001 997 51 41 023 997 84 47 029 997 32 48
				K31768	611 201 02 80
				K31933	112 201 00 80
				K31934	112 201 01 80
				K31965	272 201 00 80
				K31966	272 201 02 80

MAHLE Original	MERCEDES-BENZ
K31970	111 201 00 80
K32244	271 203 02 80
K32276	102 201 00 80 102 201 01 80
K32290	119 201 03 80
K32311	601 201 03 80
KC 102	0018354447 A0018354447
KC 218	0010920301 A 001 092 03 01
KC 22	0000920501 0000929001 0000929501 0010920401 0010920501 0010922501 0010923201
KC 28	3900920001
KC 63/1D	0010921452 0010922201 0010922301 0010922302 0010922401 0010928401 0010928401 O.D. 0010929001 0020923001 O.D. 6010900352 6010901452 6010901552 6010920101 6040920001 6040920301 O.D. 6610903055 6610923101 A6010901652
KC 87D	0020920801 6020900552
KL 100/2	6110900852 6110920601
KL 165	0002591V003 0002591V004
KL 195	6120920001 A6120920001
KL 19	0014770301 0014775901 0014778401 0014778901 0024770301 0024770401 0024770601 0024770701 0024770801 0024771801 0024771901 0024772001

MAHLE Original	MERCEDES-BENZ
KL 19	0024774501
KL 228/2D	6420900152 6420900452 6420900552 6420920101 6420920501 6420920701 6460900252 6460900852 6460920201 6460920601 6460920701 A6420920701
KL 23 OF	0014772101 0014773301 0014774201 0014775601 0014776901
KL 254	0024775301 0024776101
KL 313	6460920001 6460920301 6460920501
KL 33 OF	0014776301 0014776401 0014776601 0014777901 6150920101
KL 38	0014778701 0024771301 0024771701 0024774401
KL 437	1634770201 1634770501 1634770501MULTI 1634770701
KL 438	1634770401 1634770801
KL 490/1D	6420902252 6420902352 6420920401
KL 490D	6420901752 6420901852 6420902052 6420920301
KL 65	0024772601 0024772701 0024772801
KL 723D	6420901652 6420920201 A6420901652 A6420920201
KL 82	0024773001 0024773101
KL 87	0024773801 0024773901

MAHLE Original	MERCEDES-BENZ
KL 87	1684700290
KX 35	0000322405 0000922305 0000922405 0000926901 0004700922 0004770815 0004771015 0004774715 0004775315 0004776415 0004776915
KX 36D	0004773515 0004774015 0004774515 3554700192
KX 37	0000920205 0000921705 0000923405
KX 39	0004775015
KX 43	0000921505 0000921905 0004700192+D.1278852 0004773815 0004774215 0004775715 0004776815 3444700092 3444777215 344700092
KX 44D	0004773115 0004773215
KX 49D	0000901151 000925405 3524700092
KX 65D ECO	0000901451 3554700092 4220900051 422090005167 4220920005 4220920005 O.D.
KX 67/2D ECO	0000901251 0000901551 83120880150 9060900051 9060920105 9060920205 9060920305 9060920505
KX 68D ECO	0000901151 000090115167 0000922705 0000925405 0004700192 3524700092
KX 72D1	0000900751 0000901351

MAHLE Original	MERCEDES-BENZ
KX 72D1	0000902051 0000924105 3524700092
KX 80D ECO	4570900051 5410900051 5410900151 5410900852 5410920305 5410920405 5410920505 5410920605 5410920805 5410920905 A5410900151 A5410920805
LX 3023	001 094 03 01 A 001 094 03 01
MS-2248P-.25MM	602 030 21 40
MS-2248P-.50MM	602 030 22 40
MS-2248P	602 030 20 40
MS-2280P-.25MM	A9040301440 A9040301540
MS-2280P-.50MM	A9040301640
MS-2280P	A926 030 00 40
MS-2281P-.25MM	A9040301440 A9040301540
MS-2281P-.50MM	A9040301640
MS-2281P	A904 030 13 40 A9040300740
MS-2282P-.25MM	904 030 15 40
MS-2282P-.50MM	904 030 16 40
MS-2282P	904 030 13 40
MS-2283P-.25MM	904 030 15 40
MS-2283P-.50MM	904 030 16 40
MS-2283P	904 030 13 40
MS-2331P-.25MM	602 030 21 40
MS-2331P-.50MM	602 030 22 40
MS-2331P	602 030 20 40
MS-2332P	A460 030 0040
MS-2333P-.25MM	344 030 10 40 A366 030 0040
MS-2333P-.50MM	344 030 11 40
MS-2333P-.75MM	344 030 12 40
MS-2333P	366 030 00 40 A366 030 0040
MS19270	612 141 01 80
MS19271	612 142 03 80
MS19392	112 141 20 80
MS19393A	112 142 01 80
MS19393	112 142 01 80
MS19410	272 141 22 80 272 141 23 80

MAHLE Original	MERCEDES-BENZ
MS19411	272 142 00 80 272 142 06 80
MS19434	111 142 03 80 111 142 05 80 111 142 08 80
MS19435	111 141 13 80
MS19437	273 141 08 80
MS19438	273 142 01 80
MS19439	113 141 09 80
MS19446	613 141 01 80
MS19447	613 142 04 80
MS19448	111 141 12 80
MS19587	104 141 10 80
MS19588	104 142 02 80 104 142 03 80 104 142 07 80
MS19593	271 142 03 80
MS19614	103 141 03 80 103 141 08 80 103 141 11 80
MS19615	103 142 13 80 103 142 14 80
MS19616	111 141 05 80
MS19617	111 142 07 80
MS19621	102 142 14 80 102 142 15 80
MS19626	119 142 13 80
MS19627	119 141 15 80 119 141 26 80
MS19628	119 141 24 80 119 141 25 80
MS19643	606 141 01 80
MS19648	606 142 03 80
MS19649	606 142 04 80
MS19744	611 142 07 80
MS19746	611 098 03 80
MS19752	906 142 11 80 926 142 00 80
MS19753	906 141 04 80
MS19833	A642 142 00 80
MS19834	A642 141 05 80
MS19860	442 141 17 80
MS19861	403 142 03 80
MS19862	457 141 00 80
MS19863	457 142 01 80
MS19864	541 142 04 80
OC 110 OF	1021840001 1021840101 1021840201 1021840301 1021840501 1031800610

MAHLE Original	MERCEDES-BENZ
OC 110 OF	1031840001 1031840201
OC 110	1021840001 1021840101 1021840201 1021840301 1021840501 1031800610 1031840001 1031840201
OC 206	0004774015 0004774515
OC 607	132 180 00 10 132 180 01 10 A 132 180 01 10 A1321800010
OS32263	612 014 01 22
OS32290	111 014 01 22 111 014 02 22 611 014 02 22
OS32291	007603014106 648 014 00 22
OS32337	606 014 00 22
OS32341	103 014 01 22 103 014 03 22 103 014 04 22
OS32345	102 014 07 22
OS32346	119 014 08 22
OS32347	119 014 06 22
OS32348	119 014 03 22
OS32377	611 014 02 22 646 014 03 22
OS32401	906 014 04 22 906 014 07 22
OS32402	019 997 36 48 904 014 09 22
OS32406	904 014 07 22
OS32407	906 014 05 22
OS32413	447 014 00 22
OX 133D	1621803009
OX 13	6071840025
OX 147D	1201800009 1201840125 1201840125 O.D.
OX 153D3 ECO	1121840225 O.D. 6111800009 A6111800009
OX 161D ECO	0001801609 9041800009 9041800310 9041840066 9061800109 A0001801609 A9061800109

MAHLE Original	MERCEDES-BENZ
OX 174D ECO	0001801709 9061800009 9061800209 9061800810 A0001801709 A9061800209
OX 1D	0001800209 0001848425
OX 1	0001848525
OX 260D	1131840225
OX 32D	0001800309 0001800509 0001800609 0001849825 0001849925 0011845925 0011846425 0011846525 0011849825
OX 33D	0001802409 1021800009 1021840025 1021840225 1021840325 1021840425 1021840825
OX 345/7D ECO	0001802609 0001803109 1121840525 1121840625 2721840225
OX 346D ECO	1601800310 1601840025 1601840025 O.D. 1601840125 O.D. 1601840225
OX 348D ECO	0001802109 0001802909 4571840125 A0001802109 A0001802909 A4571840125
OX 34D	0001802409 1021800109 1021840325
OX 380D	A6421800009 A6421840025
OX 383D ECO	2751800009 2751840025
OX 383D	2751840025
OX 38D	6011800009 6011800109 6011800210 6011840025 6011840125 6011840210

MAHLE Original	MERCEDES-BENZ
OX 42	0001842225 0001842325
OX 47D	0001800009 0001844225
OX 65D	0001800409 0011841025 O.D. 0011843025
OX 69D	0001843825 0011840125 0011840325 0011840625 0011842525 0011843825 0021847725 0022847725 4021800009 4031840025 4221800210
OX 71D	0011840225 0011840425 0011840525 4011800009
OX 78D	0001802509 6151840025 6161800009 6161800510 6171800009 6171800125 6171840025 6171840125
OX 85D	3141800009
OX 92D	0011849025 0011849125 0011849425 1191800009 1191801510 1191801610
S42159	366 030 00 24 376 030 02 24
SH-2131S	476 050 00 51
SH-2182S	906 051 0350 906 051 0550 906 051 0950
SH-2184S	906 051 0350 906 051 0550 906 051 0950
SH-2188S	344 050 00 51
SS46045	906 053 01 58
SS46053	422 053 01 96
SS46054	000 053 35 58
SS46058	906 053 01 58
SS46059	906 053 03 58
SS46060	906 053 01 58
SS46061	906 053 03 58
T31767	611 015 01 80

MAHLE Original	MERCEDES-BENZ
T32233	104 015 02 20
TW-620S	601 030 00 62
TW-705S	906 033 05 62 A9060330562
VS50039	116 016 05 21 116 016 06 21
VS50284	617 016 01 80
VS50285	102 016 05 21 102 016 12 21
VS50286	103 015 00 21
VS50377	611 016 02 21 647 016 01 21
VS50432SL	112 016 02 21
VS50432SR	112 016 03 21
VS50432	112 016 02 21 112 016 03 21
VS50442SL	113 016 02 21
VS50442SR	113 016 03 21
VS50442	113 016 02 21 113 016 03 21
VS50446	111 016 07 21 111 016 09 21
VS50451	613 016 01 21
VS50452	648 016 00 21
VS50509	104 010 21 30
VS50512	271 016 01 21 271 016 07 21 271 016 09 21
VS50516	102 016 04 21 102 016 11 21
VS50519SL	119 010 13 30
VS50519SR	119 010 14 30
VS50520SL	119 010 23 30
VS50520SR	119 010 24 30
VS50530	606 016 02 21 606 016 04 21
VS50574	611 016 02 21 646 016 12 21
VS50617	904 016 06 21 906 016 00 80
VS50618	000 016 00 40 000 016 05 21
VS50619	906 016 00 80 906 016 06 21
VS50621	000 016 00 40 000 016 04 21
VS50633	442 016 06 21 442 016 07 21
VS50634	457 016 00 21
VS50635	457 016 01 21

VOLVO	MAHLE	VOLVO	MAHLE	VOLVO	MAHLE
1 161 231	VS50526	1328162	OC 105	233239	KX 36D
1 161 277	VS50526	13281621	OC 105	233574	KX 35
1 161 277 OR	VS50526	1332644-2	5727	233628	KX 23
1 271 699	MS19367	1336753-7	VS50020	233897	KX 36D
1 271 738	MS19367	1366787	MS19358	2338978	KX 36D
1 275 055	MS19360	1366787-0	MS19358	233898	KX 35
1 275 055-0	MS19360	1378217-2	MS15278	2338986	KX 35
1 276 424-7	66817	1378491-3	K30682	233988	KX 35
1 276 425-4	66817	1378646	5727	236628	KX 23
1 306 341	GS33564	1378646-2	5727	2366284	KX 23
1 366 786	MS19354 MS19357	13788534	VS50159	241339	KX 44D
1 397 727	54715	1378854	MS16077	243464	KC 18
1 397 728	54568	1378854-2	MS16077	25527	KX 44D
1 543 896	67804	1378864	OS30067	270679	CS5727
1 547 567	OS32295	1378864-1	OS30067	270679-4	CS5727
1 547 594	VS50456	1378870	VS50020	270689	HS5727W
110200	OC 23	1378870-8	VS50020	270689-3	HS5727W
1219761	KL 17	1378879	MS15227	271 393	VS50159
1257113-9	66806	1378879-9	MS15227	271 734	MS19354
1257201	KC 18	1378909-4	VS30299	271 735	MS19359
12572012	KC 18	1389450	KL 30	271 735-0	MS19359
1257221-0	66960	13894506	KL 30	271 802	MS19359
1257492	OC 51 OC 51 OF	1389562	KL 30	271 802-0	MS19359
12574927	OC 51 OC 51 OF	13895628	KL 30	271393-1	VS50159
1266229	KL 17	1576741	KL 13 OF	2717049	MS15278
1266286	OC 204	20 396 067	MS19472	272 395	MS19354
12662862	OC 204	20 412 953	54637	272 461	MS19357
1266388	OC 204	20 415 954	54637	275254	HS54570
1266796-0	MS15227	20 459 855	SS46059	275581-7	CS5727
1270529	KC 69	20 710 242	HS54637A	275771-4	HS5727W
1275810	OX 149D OX 149D ECO	203 960 067	MS19472	276 134	CB-1885P
1275811	OX 149D OX 149D ECO	20381185	223-3694	276 135	CB-1885P-.25MM
1276050	KL 5	204 942 59	SH-2126S	276 136	CB-1885P-.50MM
1276191-0	5727	204 985 44	226-4581	276 875	HS54637
1276864	KL 204	2043075-1	KC 251	276 887	54637
1289562	KL 30	205 099 30	226-2028	276 888	CS54637
1306530	KL 30	205 099 32	S42119	276 916	54637
13065305	KL 30	205 150 59	226-2028	276 921	226-2028
13065307	KL 30	205 219 49	226-2028	276 930	HS54637 MS19471
1306630	B45567	205 309 16	MS-2277P	276 949	S42119
1306630-3	B45567	20578624	MS-2277P-.25MM	284834	KL 30
1317466-9	C30680	20578625	MS-2277P-.50MM	3 092 641	MS19472
1318162	OC 105	209422	KL 13 OF	3 092 642	HS54637A
1326344-7	K30682	210 705 76	VS50457	3 093 503	54637
1326640-8	VS30299	210161	KX 24	3 093 504	MS19472
		2102097	KX 24	3 099 100	54637
		21707132	OC 282	3 165 098	VS50457
		21707133	OC 370	3 507 074	MS19351
		21707134	OC 121		

VOLVO	MAHLE	VOLVO	MAHLE	VOLVO	MAHLE
3 919 752	HS54637	3473305	KL 204	4787362	OC 370
3 964 604	VS50456	3473308	KL 204	484074	OC 37
30 637 438	MS19362	3507416	KL 85	4840740	OC 37
30 677 907	VS50526	35074160	KL 85	54429	OC 482
30 711 319	MS19636	3517857	OC 204	6 842 272	67762
30 731 243	VS50526	35178573	OC 204	6 842 347	GS33486 GS33487 GS33488
30 777 874	MS19635	3517893	B45618	6211585	KX 23
306 775 25	MS19362	3517893-0	B45618	6604948	KX 36D
30620512	KL 196	3531016	54571	6605860	KX 35
30620512-0	KL 196	3531016-0	54571	6607485	OX 17
30636704	KL 257		HS54571A HS54571B	6607576	KX 36D
30636704-0	KL 257	3531017	54570	6613665	KX 23
30637066	54546	35310176	54570	66136656	KX 23
30637066-0	54546	3531326-1	F14611	66488453	KX 23
30637067	54547	3581078	KX 23	67182-2	F14611
30637067-0	54547	35810787	KX 23	67422724	67763
30637336	54548	3581621	OC 460	6842033	KL 30
30637336-0	54548	36844	OC 320	6842214-6	C20283
30671182	KL 85	3713186	KL 13 OF	6842272-4	67763
30671182-0	KL 85	3828838	KC 430D	6842273	67755
306711821	KL 85	3976603	OC 42	6884417	OC 121
307 774 95	MS19361	3976655	KC 18	6G9N9155BC	KL 705
30750013	OX 433D OX 433D ECO	405380	KC 6	702167	OX 80
30777254	54645	408695	OX 80	7025282	KX 43
30777309	54646	414383	KX 35	7089340	OX 79D
30792046	KL 705	41826-2	OS30067	7233574	KX 35
30792720	KL 559	418361-2	C20283	7236628	KX 23
30817997	KL 71	418432	OC 204	7238513	KX 36D
30866266	OC 196	4184321	OC 204	7349619	OX 42
30866266-7	OC 196	420799	KC 75	74406	KX 36D
309 365 1	TW-685S	4207999	KC 75	76648	KX 36D
31 293 288	MS19636	430143	OC 67	76649	KX 36D
31251150	54645	4301438	OC 67	76653	KX 35
31261044	KL 705	434061	KC 18	78288	KX 44D
31261059	KL 559	45826-2	OS30067	795097	OC 67
31262351	KC 69	463587-6	OS30067	7950975	OC 67
31262352	KL 30	463846-6	MS15278	8 170 116	VS50457
31264940	KL 705	463999-3	VS30299	8 631 652	B45976
31271607	KL 559	464728	KL 13 OF	8 642 629	54549 HS54549
3127494	KL 705	466634	OC 121	8 699 467	MS19361
31274940	KL 705	4666343	OC 121	8 699 467-0	MS19361
31355412	KL 705	470 304	223-3693	806013	KL 13 OF
32102097	KX 24	471392	OC 282	814 857 4	211-4290
327718	OX 17	4713921	OC 282	817695	KX 35
3345280	KX 23	4713982	OC 282	8193841	KC 75
33452806	KX 23	477556	OC 282	829993	KC 18
3413903	KL 204	4775565	OC 282	8299935	KC 18
3413903-0	KL 204	478362	OC 370		
		478736	OC 370		

VOLVO	MAHLE
834337	OC 11
835779	OC 67
8357790	OC 67
85 103 632	CS54637A
851 031 75	226-2028
85113641	226-2027
858201	KX 23
859 171	B45984
860874	KC 17D
8608747	KC 17D
8614745	OC 217
8616804	KL 559
8642570	OX 370D
8642629-0	54549
8643157	KC 218
8675251	54550
8675251-0	54550
8692305	OX 370D
876 189	226-2087
876 233	226-2087
87958	OX 79D
89340	OX 79D
9 146 266	MS19366
9125224	OC 214
9135513	54567
9135513-1	54567
9142658	KL 85
91426585	KL 85
9180596	OC 214
9180596-0	OC 214
94 585 34	MS19352
94 585 35	MS19356
9404725	54551
9404725-0	54551
9404726	54552
9404726-0	54552
9404727	54553
9404727-0	54553
9440651	67753
9443310	67760
9443310-0	67760
9443787	B45966
9443896	54554
9443896-0	54554
9443897	54555
9443897-0	54555
9454805	KC 69
9458178	67752
9458309	67761

VOLVO	MAHLE
9458309-0	67761
946 441	VS50457
991203410	KC 191
991290710	OC 320
N/A	CS54547
	CS54549
	HS54547
N/I	CS54547A
	CS54551
	CS54645
	HS54547A
	HS54570A
	HS54645
	HS54646
	HS54715
NOT SERVICED	CS54571

MAHLE Original	VOLVO
211-4290	814 857 4
223-3693	470 304
223-3694	20381185
226-2027	85113641
226-2028	205 099 30
	205 150 59
	205 219 49
	276 921
	851 031 75
226-2087	876 189
	876 233
226-4581	204 985 44
54546	30637066
	30637066-0
54547	30637067
	30637067-0
54548	30637336
	30637336-0
54549	8 642 629
	8642629-0
54550	8675251
	8675251-0
54551	9404725
	9404725-0
54552	9404726
	9404726-0
54553	9404727
	9404727-0
54554	9443896
	9443896-0
54555	9443897
	9443897-0
54567	9135513
	9135513-1
54568	1 397 728
54570	3531017
	35310176
54571	3531016
	3531016-0
54637	20 412 953
	20 415 954
	276 887
	276 916
	3 093 503
	3 099 100
54645	30777254
	31251150
54646	30777309
54715	1 397 727
5727	1276191-0
	1332644-2
	1378646
	1378646-2
66806	1257113-9

MAHLE Original	VOLVO
66817	1 276 424-7
	1 276 425-4
66960	1257221-0
67752	9458178
67753	9440651
67755	6842273
67760	9443310
	9443310-0
67761	9458309
	9458309-0
67762	6 842 272
67763	67422724
	6842272-4
67804	1 543 896
B45567	1306630
	1306630-3
B45618	3517893
	3517893-0
B45966	9443787
B45976	8 631 652
B45984	859 171
C20283	418361-2
	6842214-6
C30680	1317466-9
CB-1885P-.25MM	276 135
CB-1885P-.50MM	276 136
CB-1885P	276 134
CS54547A	N/I
CS54547	N/A
CS54549	N/A
CS54551	N/I
CS54571	NOT SERVICED
CS54637A	85 103 632
CS54637	276 888
CS54645	N/I
CS5727	270679
	270679-4
	275581-7
F14611	3531326-1
	67182-2
GS33486	6 842 347
GS33487	6 842 347
GS33488	6 842 347
GS33564	1 306 341
HS54547A	N/I
HS54547	N/A
HS54549	8 642 629
HS54570A	N/I
HS54570	275254
HS54571A	3531016-0
HS54571B	3531016-0

MAHLE Original	VOLVO
HS54637A	20 710 242
	3 092 642
HS54637	276 875
	276 930
	3 919 752
HS54645	N/I
HS54646	N/I
HS54715	N/I
HS5727W	270689
	270689-3
	275771-4
K30682	1326344-7
	1378491-3
KC 17D	860874
	8608747
KC 18	1257201
	12572012
	243464
	3976655
	434061
	829993
	8299935
KC 191	991203410
KC 218	8643157
KC 251	2043075-1
KC 430D	3828838
KC 69	1270529
	31262351
	9454805
KC 6	405380
KC 75	420799
	4207999
	8193841
KL 13 OF	1576741
	209422
	3713186
	464728
	806013
KL 17	1219761
	1266229
KL 196	30620512
	30620512-0
KL 204	1276864
	3413903
	3413903-0
	3473305
	3473308
KL 257	30636704
	30636704-0
KL 30	1289562
	1306530
	13065305
	13065307
	1389450
	13894506



MAHLE Original	VOLVO
KL 30	1389562
	13895628
	284834
	31262352
	6842033
KL 559	30792720
	31261059
	31271607
	8616804
KL 5	1276050
KL 705	30792046
	31261044
	31264940
	3127494
	31274940
	31355412
	6G9N9155BC
KL 71	30817997
KL 85	30671182
	30671182-0
	306711821
	3507416
	35074160
	9142658
	91426585
KX 23	233628
	236628
	2366284
	3345280
	33452806
	3581078
	35810787
	6211585
	6613665
	66136656
	66488453
	7236628
	858201
KX 24	210161
	2102097
	32102097
KX 35	233574
	233898
	2338986
	233988
	414383
	6605860
	7233574
	76653
	817695
	KX 36D
233897	
2338978	
6604948	
6607576	
7238513	
74406	

MAHLE Original	VOLVO
KX 36D	76648
	76649
KX 43	7025282
KX 44D	241339
	25527
	78288
MS-2277P-.25MM	20578624
MS-2277P-.50MM	20578625
MS-2277P	205 309 16
MS15227	1266796-0
	1378879
	1378879-9
MS15278	1378217-2
	2717049
	463846-6
MS16077	1378854
	1378854-2
MS19351	3 507 074
MS19352	94 585 34
MS19354	1 366 786
	271 734
	272 395
MS19356	94 585 35
MS19357	1 366 786
	272 461
MS19358	1366787
	1366787-0
MS19359	271 735
	271 735-0
	271 802
	271 802-0
MS19360	1 275 055
	1 275 055-0
MS19361	307 774 95
	8 699 467
	8 699 467-0
MS19362	30 637 438
	306 775 25
MS19366	9 146 266
MS19367	1 271 699
	1 271 738
MS19471	276 930
MS19472	20 396 067
	203 960 067
	3 092 641
	3 093 504
MS19635	30 777 874
MS19636	30 711 319
	31 293 288
OC 105	1318162
	1328162
	13281621
OC 11	834337

MAHLE Original	VOLVO
OC 121	21707134
	466634
	4666343
	6884417
OC 196	30866266
	30866266-7
OC 204	1266286
	12662862
	1266388
	3517857
	35178573
	418432
OC 214	9125224
	9180596
	9180596-0
OC 217	8614745
OC 23	110200
OC 282	21707132
	471392
	4713921
	4713982
	477556
	4775565
OC 320	36844
	991290710
OC 370	21707133
	478362
	478736
	4787362
OC 37	484074
	4840740
OC 42	3976603
OC 460	3581621
OC 482	54429
OC 51 OF	1257492
	12574927
OC 51	1257492
	12574927
OC 67	430143
	4301438
	795097
	7950975
	835779
	8357790
OS30067	1378864
	1378864-1
	41826-2
	45826-2
	463587-6
OS32295	1 547 567
OX 149D ECO	1275810
	1275811
OX 149D	1275810
	1275811
OX 17	327718



MAHLE Original	VOLVO
OX 17	6607485
OX 370D	8642570 8692305
OX 42	7349619
OX 433D ECO	30750013
OX 433D	30750013
OX 79D	7089340 87958 89340
OX 80	408695 702167
S42119	205 099 32 276 949
SH-2126S	204 942 59
SS46059	20 459 855
TW-685S	309 365 1
VS30299	1326640-8 1378909-4 463999-3
VS50020	1336753-7 1378870 1378870-8
VS50159	13788534 271 393 271393-1
VS50456	1 547 594 3 964 604
VS50457	210 705 76 3 165 098 8 170 116 946 441
VS50526	1 161 231 1 161 277 1 161 277 OR 30 677 907 30 731 243

A.L. FILTER	
ALA8498/2	LX 439/1
ALA8845/8	LX 1277
ALA8862	LX 804/S
ALA8872	LX 1845
ALA8882	LX 2813
ALO8165	OX 380D

AC-DELCO	
A1224C	LX 114
A1224C	LX 114
A1242C	LX 558
A1242C	LX 558
A1583C	LX 1776
A207C	LX 116
A2177C	LX 1775
A447C	LXS 24
A529C	LX 18
A587C	LX 18
A588C	LXS 214
A607C	LX 228
A607C	LX 228
A674A	LX 18
A674C	LX 18
A794C	LX 211
A794C	LX 211
A795C	LX 276
A795C	LX 276
A804C	LX 246
A806C	LX 264
A806C	LX 264
A807C	LX 217
A807C	LX 217
C283	HX 79
PC162	LX 190
PC162	LX 190
PC163	LX 183
PC163	LX 183
PC2041E	LX 1277
PC263	LX 228
PC265	LX 217
PC266	LX 211
PC299K	LX 18
PC335	LX 116
PC411	LXS 214
PC448	LX 262
PC484	LX 95
PC484	LX 95
PC505	LX 96
PC505	LX 96
PC506	LX 58
PC506	LX 58
PC507	LX 264
PC508	LX 97
PC508	LX 97
PC591	LX 61
PC810	LX 264
PF492	HX 79

AIR REFINER	
ARM105368	LX 18
ARM109159	LXS 24
ARM119363	LX 18
ARM119410	LXS 214
ARM1221	LXS 214
ARM616	LX 18
ARM616K	LX 18
ARM912	LX 116
ARP2120	LX 228
ARP877	LX 190

ALCO	
MD140	LX 190
MD225	HX 79
MD246	LX 228
MD260K	LX 18
MD286	LX 264
MD310	LX 183
MD318	LX 262
MD356	LX 116
MD456	LX 58
MD458	LX 95
MD5010	LX 638
MD5012	LX 86
MD5050	LX 558
MD534	LXS 24
MD556	LX 96
MD558	LX 97
MD8282	LX 1845
MD9036	LX 114
MD9094	LX 276
MD9166	LX 61
MD9254	LX 439/1
MD9282	LX 438
MD9286	LX 312
MD9308	LX 536
MD9456	LX 58
MD9458	LX 95
MD9528	LX 804/S
MD9556	LX 96
MD9558	LX 97

AMC	
CO1709	HX 79
IA379	LX 18
SA9852	LX 536
SA9853	LX 96
SA9854	LX 95

AP LOCKHEED	
AP3036	LX 116
AP3261	LX 228
AP3307	LX 211
AP3309	LXS 214
AP3312	LX 217

AP LOCKHEED	
AP3344	LX 262
AP3346	LX 264
AP3349	LX 86
AP3401	LX 183
AP3581	LX 276
AP460	HX 79
AP860	LX 18
LK3261	LX 228
LK3307	LX 211
LK3309	LXS 214
LK3344	LX 262
LK3349	LX 86
LK3401	LX 183
LK3581	LX 276
LK3721	LX 58
LK460	HX 79
LK860	LX 18

BALDWIN	
LL1615	LX 116
LL2418FN	LX 18
PA1615	LX 116
PA1822FN	LX 18
PA1901	LX 228
PA1905	LXS 24
PA2081	LX 264
PA2418FN	LX 18
PA2419	LXS 214
PA3763	LX 2933
PA4162	LX 2947
PT557-10	HX 79
PT90-10	HX 79
PT90MPG	HX 79
PT94	HX 79
RS3504	LX 1774
RS3506	LX 2008
RS3508	LX 1776
RS3510	LX 1777
RS3544	LX 1142
RS3704	LX 2958
RS3734	LX 1775
RS3884	LX 1775
RS3988	LX 2959

BAUER	
N07698	LX 18
N10119	LXS 214

BIG	
GB9656	LX 517

BOSCH	
1457429024	LX 190
1457429056	LX 228
1457429060	LX 190

BOSCH	
1457429065	LX 183
1457429069	LX 211
1457429074	LX 217
1457429080	LX 264
1457429081	LX 86
1457429082	LX 262
1457429416	HX 44
1457429525	LX 190
1457429782	LX 616
1457429783	LX 96
1457429784	LX 1291
1457429786	LX 990
1457429787	LX 61
1457429794	LX 18
1457429828 SB	LX 95
1457429875	LX 95
1457429887	LXS 214
1457429948	LX 638
1457429949	LX 558
1457429952 SB	LX 190
1457429956 SB	LX 58
1457429970	LX 114
1457429986	LX 95
1457429988	LX 97
1457429989 SB	LX 264
1457429992	LX 58
1457429993	LX 276
1457429995 SB	LX 262
1457429996	LX 86
1457431406	LX 190
1457432201	LX 96
1457433002	LX 312
1457433049	LX 1137/S
1457433051	LX 284
1457433052	LX 472
1457433071	LX 804/S
1457433332	LX 1142
1457433334	LX 816/5
1457433522	LX 939
1457433523	LX 927
1457433524	LX 617
1457433581	LX 1466/S
1457433585	LX 1652
1457433600	LX 439/1
1457433699	LX 517
1457433700	LX 348
1457433701	LX 438
1457433703	LX 513/1
1457433705 SB	LX 61
1457433751	LX 539
1457433752	LX 439/1
1457433807 SB	LX 517
1457433817 SB	LX 439/1
1987429401	LX 1277
1987430071	LX 18
1987430075	LXS 214
9457222520	LX 228

BOSCH	
F026400055	LX 1845
L203	LX 95
L303	LX 439/1
L710	LX 61
P9416	HX 44
S3002	LX 312
S3049	LX 1137/S
S3052	LX 472
S3522	LX 939
S3523	LX 927
S3524	LX 617
S3585	LX 1652
S3699	LX 517
S3700	LX 348
S3701	LX 438
S3703	LX 513/1
S3751	LX 539
S3752	LX 439/1
S9056	LX 228
S9080	LX 264
S9401	LX 1277
S9782	LX 616
S9783	LX 96
S9786	LX 990
S9787	LX 61
S9794	LX 18
S9875	LX 95
S9948	LX 638
S9949	LX 558
S9970	LX 114
S9988	LX 97
S9992	LX 58
S9993	LX 276

CHAMPION (FEDERAL MOGUL)	
U516	LX 95
U517	LX 97
U563	LX 96
U624	LX 438
U625	LX 312
U642	LX 439/1
U672	LX 348
U673	LX 536
U692	LX 513/1
U742	LX 439/1
U781	LX 927
U784	LX 2877
U785	LX 804/S
U872	LX 1845
V464	LX 1277
W126	LX 276
W148	LX 58
W149	LX 264
W189	LX 638
W195	LX 623
W196	LX 558
W228	LX 61

CHAMPION (FEDERAL MOGUL)	
W229	LX 114
CHAMPION LABORATORIES	
220030	LX 1777
7-4	LX 116
AF112	LX 228
AF7971	LX 439/1
AF8309	LX 438
LAF8996	LX 513/1
CHAMPION LABORATORIES (EUROFILTER)	
1-39	LXS 24
170121	LX 804/S
22-08	LX 1142
22-10	LXS 256
220008	LX 1142
220010	LXS 256
220011	LX 2958
220026	LX 1775
220028	LX 1776
220030	LX 1777
220033	LX 2008
220035	LX 1774
220056	LX 2959
32-02	LX 18
4-17	LX 183
61-12	LXS 24
7-4	LX 116
9-2	LXS 214
E32-02	LX 18

CLEAN	
MA1007	LX 61
MA1058	LX 517
MA1066	LX 513/1
MA1068	LX 438
MA1069	LX 472
MA107	LX 58
MA1155	LX 439/1
MA124	LX 264
MA130	LX 276
MA1341	LX 939
MA1343	LX 927
MA1344	LX 539
MA1412	LX 1142
MA175	LX 312
MA183	LX 95
MA3016	LX 1277
MA3028	LX 804/S
MA371	LX 638
MA377	LX 86
MA426	LX 190
MA427	LX 228
MA430	LX 18
MA501	LX 116

CLEAN	
MA566	LXS 214
MA575	LXS 24
MA644	LX 96
MA644	LX 558
MA659	LX 623
MA660	LX 114
MA661	LX 97
MA716	LX 18
ML413	HX 79

COOPERS	
ADG519	LX 18
ADG535	LXS 214
ADG546	LX 116
AEM2678	LX 1777
AEM2680	LX 1776
AEM2682	LX 2008
AEM2684	LX 1774
AEM2746	LX 1775
AES2678	LX 1777
AG1189	LX 439/1
AG205	LX 262
AG258	LX 284
AG259	LX 86
AG260	LX 276
AG372	LX 228
AG438	LX 190
AG439	LX 183
AG440	LX 228
AG537	LX 211
AG538	LX 86
AG609	LX 217
AG622	LX 264
AG642	LX 58
AG684	LX 276
AG685	LX 262
AG686	LX 86
AG719	LX 58
AG762	LX 114
AZA016	LX 228
AZA319T	LX 18
AZA332	LX 18
AZA333	LXS 214
AZA333T	LXS 214
AZA508	LXS 24
AZA508T	LXS 24
AZA602	LX 116
AZL081	HX 79
G552	HX 79
G695	HX 79
L95423	LX 116

CROSLAND	
747	LX 264
783	LX 183
8023	LX 114

CROSLAND	
8024	LX 276
8047	LX 312
8051	LX 439/1
8053	LX 438
8054	LX 348
8058	LX 513/1
8080	LX 558
877	LX 190
897	LX 228
9014	LX 217
9015	LX 211
9016	LX 86
9018	LX 262
9054	LX 58
9085	LX 95
9101	LX 284
9179	LX 96
9180	LX 736
9183	LX 623
9283	LX 61
9553	LX 116
9575	LXS 24
9618	LXS 214
9783	LX 1142
9784	LXS 256
9809	LX 1775
997K	LX 18

DAIMIER-BENZ MOTOR CO.	
0000902651	LX 1845

DELPHI	
AF0447	LX 276
AF20043	LX 927

DIAMOND	
DH230	HX 79
DX2669	LX 228
DX610	LX 116

DONALDSON	
E700119	LX 18
P018709	LX 116
P018709 2	LX 116
P105368	LX 18
P105368*2P107868	LX 18
P107868	LX 18
P107868 2	LX 18
P109159	LXS 24
P109159 1	LXS 24
P114931	LXS 24
P114931 2	LXS 24
P119136	LX 18
P119363	LX 18
P119368	LXS 24

DONALDSON	
P119369	LXS 24
P119409	LX 18
P119409*2P119363	LX 18
P119410	LXS 214
P119410 2	LXS 214
P119431	LXS 24
P119931	LXS 24
P122026	LXS 214
P122073	LX 18
P122073*2P119363	LX 18
P122074	LXS 214
P122074*2P119410	LXS 214
P122991	LXS 214
P123405	LX 18
P123753	LX 18
P123753*2P131403	LX 18
P124173	LX 18
P128149	LX 18
P128149*2P119363	LX 18
P128355*2P114931	LXS 24
P128518	LXS 24
P128518 2	LXS 24
P130083	LXS 24
P130083 2	LXS 24
P131344	LXS 214
P131403	LX 18
P131403 2	LX 18
P136661	LXS 24
P138441	LXS 214
P138442	LX 18
P138635	LX 18
P138636	LXS 214
P138751	LX 116
P145894	LXS 24
P150610	LX 18
P150907	LX 116
P151145	LX 18
P151774	LX 18
P152644	LX 18
P153338	LXS 24
P154632	LX 18
P155334	LXS 214
P158557	LX 18
P163927	HX 79
P164205	HX 79
P181059	LX 18
P181103	LX 116
P182059	LX 18
P187090	LX 116
P529289	LX 1777
P531182	LX 18
P532473	LX 1776
P532501	LX 1774
P532503	LX 2008
P532505	LX 1777
P556064	HX 79
P770198	LXS 214

DONALDSON	
P770589	LX 1142
P770737	LXS 24
P772580	LX 1142
P774519	LX 18
P775302	LXS 256
P777638	LX 1775
P778214	LX 1775
P778241	LX 1775
P781039	LX 1775
P781629	LX 1775
P784015	LX 513/1
P815880	LX 18
P815881	LX 18
P821575	LX 2958
P822768	LX 2959
P828889	LX 1142
P900433	LX 18
P900836	LX 18
P901524	LX 116
SMP181059	LX 18
SMP181103	LX 116
XLP182059	LX 18

DONIT	
414017	LX 58
414018	LX 262

ESSO	
8191	LX 262
8345	LX 58
8542	LX 264
9294	LX 190
9307	LX 183

FAROM-GIESSE	
AH843	LX 228
LHI444	HX 79

FIAAM	
FA4616	HX 79
FL6472	LX 183
FL6575	LX 264
FL6656	LX 284
FL6670	LX 58
FL6703	LX 276
FL6730	LX 262
FL6731	LX 86
FL6732	LX 217
FL6734	LX 211
FL6766	LX 558
FL6827	LX 61
FL6836	LX 190
FL9052	LX 1277
FLI6194	LX 116
FLI6418	LXS 214

FIAAM	
FLI6435	LX 18
FLI6472	LX 183
FLI6590	LXS 24
PA7052	LX 95
PA7064	LX 623
PA7070	LX 96
PA7071	LX 97
PA7094	LX 95
PA7122	LX 312
PA7164	LX 439/1
PA7196	LX 517
PA7230	LX 439/1
PA7234	LX 513/1
PA7249	LX 348
PA7262	LX 536
PA7265	LX 472
PA7283	LX 736
PA7297	LX 539
PA7314	LX 804/S
PA7314-2	LX 804/S
PA7383	LX 927
PA7551	LX 1845

FILT	
A2128	LX 228
A2221	LX 116
A2249	LX 190
A2466	LXS 214
FF112/1	HX 79

FILTRON	
AE297	LX 262
AE326	LX 558
AE328	LX 276
AE345	LX 217
AE345/1	LX 86
AK218/3	LX 816/5
AP009	LX 623
AP010	LX 95
AP010/2	LX 348
AP010/3	LX 736
AP011	LX 96
AP012	LX 97
AP034	LX 312
AP034/1	LX 1652
AP035/1	LX 617
AP035/3	LX 939
AP118	LX 439/1
AP118/1	LX 517
AP118/2	LX 472
AP118/3	LX 804/S
AP118/3-2X	LX 804/S
AP118/4	LX 438
AP118/5	LX 539
AP118/6	LX 439/1
AP118/7	LX 927

FILTRON	
AP157/1	LX 513/1
AR033	LX 58
AR036	LX 61
AR036/1	LX 638
AR037	LX 114
AR204	LX 264
AR218	LX 228
AR218	LX 246
AR285	LX 1142
AR290	LX 183
AR327	LX 284

FISPA	
FAC126	LX 228
FAC187	LX 264
FAC213	LX 262
FAC626	LX 228
FAC682	LX 18
FAC683	LXS 214
FAC687	LX 264
FAC713	LX 262
FAC949	LX 58
FAC954	LX 284
FAP021	LX 95

FLEETGUARD	
AA2900	LXS 24
AF1733K	LX 18
AF1733KM	LX 18
AF25011M	LX 1777
AF25019M	LX 1776
AF25025M	LX 1774
AF25038M	LX 2008
AF25125M	LX 1774
AF25129M	LX 2008
AF25131M	LX 1776
AF25135M	LX 1777
AF25292	LX 1142
AF25308	LX 2959
AF25319	LX 513/1
AF25352	LX 1142
AF25436	LX 2959
AF25485	LXS 256
AF25492	LX 1775
AF25551	LX 2958
AF25553	LX 2959
AF25557	LX 1142
AF25558	LXS 256
AF25575	LX 2958
AF25592	LXS 256
AF25964	LX 1775
AF344	LX 116
AF344M	LX 116
AF4059K	LX 18
AF4103	LXS 214
AF4124	LX 228



FLEETGUARD	
AF883	LXS 24
AF883M	LXS 24
AF943	LXS 24
HF6098	HX 79
HF6342	HX 79
LF603	HX 79

FRAM	
C1660	HX 79
C1660A	HX 79
CA10261	LX 3069
CA10330	LX 1845
CA10330	LX 1845
CA1544SY	LXS 214
CA224	LX 116
CA2527	LXS 214
CA2613	LX 190
CA2613SP	LX 190
CA2731	LX 183
CA2735	LX 211
CA3137	LX 217
CA3156	LX 228
CA3156	LX 246
CA3159	LX 264
CA3725	LX 284
CA4272	LX 86
CA4274	LX 262
CA4275	LX 276
CA4335	LX 58
CA4539	LX 95
CA4579	LX 97
CA4580	LX 96
CA4581	LX 623
CA4964	LX 114
CA5144	LX 95
CA536SY	LXS 24
CA5489	LX 438
CA5539	LX 439/1
CA5741	LX 1142
CA5777	LX 513/1
CA5782	LX 517
CA5858	LX 1775
CA5876	LX 513/1
CA5948	LX 439/1
CA5962	LX 96
CA6384	LX 86
CA6385	LX 623
CA6387	LX 96
CA6388	LX 558
CA6843	LX 990
CA6844	LX 616
CA6868	LX 312
CA6870	LX 638
CA692PL	LX 190
CA699	LX 228
CA699PL	LX 228
CA7245	LX 61

FRAM	
CA7335	LX 346
CA7336	LX 348
CA7337	LX 617
CA7366	LX 736
CA7480	LX 1777
CA7482	LX 1776
CA7484	LX 2008
CA7486	LX 1774
CA7623	LX 438
CA7640	LX 2933
CA8596	LX 1775
CA8668	LX 513/1
CA8767	LX 439/1
CA8768	LX 804/S
CA8768-2	LX 804/S
CA9246	LX 2959
CA9589	LX 2947
CA9591	LX 2958
CA9680	LX 1277
CAK1544	LX 18
CAK565	LX 18
CAK565A	LX 18
CH10323	OX 380D
CH9232	OX 179D
CH9301	OX 153D3

GUIOT	
GA2735	LX 211
GA699	LX 228

HASTINGS	
AF477	LX 18

HENGST	
107L	LX 284
E1015L	LX 2813
E107L	LX 284
E11HD57	OX 153D3
E1300L	LX 190
E154L	LX 616
E154L	LX 616
E167L	LX 617
E167L	LX 617
E171L	LX 348
E172L	LX 61
E172L	LX 61
E174L	LX 346
E174L	LX 346
E17HD57	OX 179D
E197L	LX 558
E197L	LX 558
E1L	LX 183
E1L	LX 183
E207L	LX 312
E207L	LX 312

HENGST	
E220L	LX 228
E223L	LX 439/1
E227L	LX 438
E227L	LX 438
E229L	LX 736
E229L	LX 736
E240L01	LX 513/1
E242L	LX 517
E242L	LX 517
E256L	LX 990
E256L	LX 990
E26H	HX 44
E26H	HX 44
E2L	LX 211
E2L/1	LX 211
E30L	LX 95
E30L01	LX 623
E30L01	LX 623
E30L02	LX 95
E318L	LX 539
E31L	LX 96
E31L02	LX 96
E31L03	LX 1291
E31L03	LX 1291
E321L	LX 439/1
E32L	LX 97
E32L02	LX 97
E32L02	LX 97
E368L	LX 472
E368L	LX 472
E371L	LX 536
E371L	LX 536
E388L	LX 927
E388L	LX 927
E434L	LX 1142
E434LS	LXS 256
E455L	LX 804/S
E455L01	LX 804/S
E455L02	LX 2877
E456L	LX 939
E472L	LX 1277
E4L	LX 217
E4L/2	LX 217
E51H	HX 79
E544L	LX 816/5
E544L	LX 816/5
E567L	LX 18
E567LS	LXS 214
E591L	LX 1774
E593L	LX 1776
E612L	LX 1652
E64L	LX 638
E64L	LX 638
E672L	LX 1775
E67H	HX 48
E683L	LX 781
E700L	LX 262

HENGST	
E700L	LX 262
E71HD141	OX 380D
E736L	LX 1777
E73L	LX 114
E73L	LX 114
E800L	LX 86
E800L01	LX 86
E800L01	LX 86
E816L	LX 2958
E81L	LX 58
E81L	LX 58
E821L	LX 1845
E82L	LX 276
E87L	LX 264
E87L	LX 264
E87L01	LX 264
E87L01	LX 264

HERTH & BUSS JAKOPARTS	
J1320401	LX 96
J1320402	LX 95
J1320405	LX 536

INTERCONTINENTAL	
ALA8490	LX 513/1
ALA8498	LX 439/1
ALA8513	LX 1137/S

JAPANPARTS	
JFA978	LX 96

KOLBENSCHMIDT	
007AR	LX 58
008AR	LX 262
011AR	LX 276
012AR	LX 114
066AR	LX 61
070AR	LX 264
083AP	LX 348
120AR	LX 284
123AR	LX 211
168AP	LX 95
169AP	LX 96
172OH	HX 44
173AP	LX 472
183AP	LX 97
205AP	LX 439/1
206AP	LX 438
222AP	LX 517
223AR	LX 346
342AR	LX 18
392AP	LX 513/1
393AP	LX 312
422AP	LX 927
423AP	LX 804/S

KOLBENSCHMIDT	
426AP	LX 539
50013007	LX 58
50013008	LX 262
50013011	LX 276
50013012	LX 114
50013066	LX 61
50013070	LX 264
50013083	LX 348
50013120	LX 284
50013123	LX 211
50013168	LX 95
50013169	LX 96
50013172	HX 44
50013173	LX 472
50013183	LX 97
50013205	LX 439/1
50013206	LX 438
50013222	LX 517
50013223	LX 346
50013342	LX 18
50013392	LX 513/1
50013393	LX 312
50013422	LX 927
50013423	LX 804/S
50013426	LX 539
678AP	LX 939

LUBERFINER (CHAMP)	
AF112	LX 228
AF7971	LX 439/1
LAF1544	LX 18
LAF4273	LX 1776
LAF4501	LX 1774
LAF4503	LX 2008
LAF4505	LX 1777
LAF47	LX 116
LAF5368	LX 18
LAF8149	LX 1775
LAF8195	LX 2958
LAF8884	LX 513/1
LAF8996	LX 513/1
LAF9159	LXS 24
LAF9410	LXS 214
LP560	HX 79
P560	HX 79

MANN + HUMMEL	
BFU700X	KX 49D
C1196	LX 2958
C1196/2	LX 2958
C12178	LX 816/5
C13145	LX 2959
C13145/2	LX 2959
C15120	LX 228
C15120	LX 246
C15120/2	LX 228

MANN + HUMMEL	
C16162/1	LX 246
C16302	LX 18
C16335	LX 18
C17337	LX 1142
C17337/2	LX 1142
C1883/2	LX 190
C20105	LX 190
C21630	LX 1775
C21630/1	LX 1775
C21630/2	LX 1775
C21630/2	LX 1775
C2287	LX 1652
C23148	LX 312
C23326	LX 116
C24106	LX 539
C24444/1	LX 116
C25004	LX 1850/1
C2520	LX 1850/1
C2520	LX 1850/2
C27000-2	LX 1850/1
C27000-2	LX 1850/2
C27006	LX 1850/2
C2720	LX 1850/1
C2720	LX 1850/2
C281045	LX 2008
C28191	LX 736
C2861-2	LX 1137/S
C29126	LX 95
C29126/1	LX 623
C29126/2	LX 95
C29200	LX 558
C29840	LX 1774
C30122	LX 264
C30195	LX 439/1
C30195/2	LX 439/1
C30899	LX 1776
C31144	LX 438
C31190	LX 284
C3170/1-2	LX 1466/S
C3210	LX 2813
C321170	LX 1777
C32126	LX 86
C32164	LX 927
C32338/1	LX 513/1
C33102	LX 348
C3388	LX 616
C34175	LX 517
C3479	LX 781
C3484	LX 617
C35118	LX 262
C36157	LX 211
C36168	LX 536
C3689	LX 2877
C3698	LX 804/S
C3698/2	LX 804/S
C3698/3	LX 804/S
C3698/3-2	LX 804/S

MANN + HUMMEL	
C37107	LX 58
C37145	LX 86
C37157	LX 472
C38161	LX 346
C38163	LX 96
C38163/1	LX 96
C38163/2	LX 1291
C40174	LX 276
C40193	LX 990
C41121	LX 61
C41123	LX 638
C41173	LX 114
C42098	LX 183
C4312	LX 1845
C4312/1	LX 1845
C4312/1	LX 1845
C47109	LX 939
C48183	LX 97
C54121	LX 217
CF1398	LXS 24
CF22269	LXS 24
CF922	LXS 214
CF990	LXS 256
CF990/2	LXS 256
H1497	HX 79
H1497/1	HX 79
H1914/2	HX 48
H85	HX 44
HU715/6X	OX 260D
HU718/1K	OX 153D3
HU721/2X	OX 179D
HU721/3X	OX 383D
HU727/1X	OX 133D
HU820/2X	OX 354D
HU821	OX 380D
MA1071	LX 2947
MA1126-2	LX 1137/S
MA1156	LX 2933
MA1158	LX 513/1
ML 1032	OX 153D3

MAX-FILTER	
ML123	LX 736
ML142	LX 438
ML159/C	LX 536
ML171/CS	LX 513/1
ML172/C	LX 517
ML175	LX 472
ML18	LX 95
ML183	LX 276
ML196/C	LX 617
ML197/R	LX 348
ML202	LX 86
ML207	LX 183
ML23	LX 58
ML239	LX 638
ML280/C	LX 804/S

MAX-FILTER	
ML43	LX 96
ML44/R	LX 97
ML66	LX 312
ML67	LX 61

MECAFILTER	
2319008401	LX 536
EL3045	LX 228
EL3065	LX 116
EL3327	LX 58
EL3330	LX 61
EL3331	LX 264
EL3520	LX 276
EL3521	LX 114
EL3522	LX 61
EL3690	LX 638
EL3695	LX 61
EL3699	LX 228
EL3728	LX 86
EL3740	LX 284
EL3743	LX 183
EL3744	LX 217
EL3791	LX 990
EL9113	LX 1277
ELH4208	HX 44
ELP3328	LX 95
ELP3337	LX 97
ELP3338	LX 96
ELP3496	LX 96
ELP3523	LX 623
ELP3595	LX 95
ELP3596	LX 312
ELP3637	LX 439/1
ELP3685	LX 348
ELP3727	LX 438
ELP3735	LX 517
ELP3741	LX 736
ELP3751	LX 439/1
ELP9055	LX 927
ELP9165	LX 1845
ELP9276	LX 536
FA1606	LX 97
FA1610	LX 95
FA1612	LX 96
FA1830	LX 623
FA2219	LX 513/1
FA3192	LXS 214
FA3220	LX 1142
FA3223	LXS 256
FA3231	LXS 24
FA3237	LX 1777
FA3247	LX 116
FA3250	LX 1776
FA3422	LX 264
FA3646	LX 18
JLP3911	LX 804/S

MIOFILTRE	
20023	LX 228
20041	LX 264

MONARK-DIESEL	
30780079	LX 95
30780080	LX 264
30780137	LX 58
30780145	LX 86
30780150	LX 96
30780163	LX 276
30780170	LX 114

MOTAQUIP	
VFA248	LX 228
VFA248	LX 246
VFA249	LX 264
VFA346	LX 264
VFA384	LX 262
VFA390	LX 58
VFA391	LX 95
VFA398	LX 183
VFA401	LX 211
VFA402	LX 276
VFA525	LX 638
VFA546	LX 96
VFA594	LX 61
VFA596	LX 623
VFA636	LX 114
VFA637	LX 97
VFA693	LX 86
VFA718	LX 86
VFA778	LX 439/1
VFA840	LX 312
VFA842	LX 513/1
VFA884	LX 736

MOTORCRAFT	
EFA181	LX 217
EFA182	LX 262
EFA256	LX 264
EFA287	LX 58
EFA396	LX 95
EFA424	LX 284
EFA440	LX 58
EFA449	LX 95
EFA450	LX 86
EFA495	LX 96
EFA496	LX 114
EFA497	LX 97
EFA498	LX 276
EFA68	LX 190
FA176	LX 18
FL218	HX 79

MOTRIO	
--------	--



MOTRIO	
8671000183	LX 96
8671000185	LX 95
8671000198	LX 517
8671002697	LX 61
8671002710	LX 58

NAPA	
1145	OX 133D
1197	HX 79
2047	LX 116
2052	LX 781
2106	LX 264
2165	LX 190
2174	LX 114
2194	LX 284
2213	LX 927
2228	LX 558
2262	LX 536
2364	LX 617
2365	LX 348
2367	LX 312
2368	LX 472
2415	LX 86
2462	LX 517
2620	LX 539
2868	LX 18
3585XE	KX 357
6003	LX 346
6010	LX 217
6050	LX 276
6055	LX 211
6122	LX 95
6272	LX 2933
6290	LX 228
6290	LX 246
6291	LX 638
6438	LX 2958
6461	LX 990
6476	LX 1776
6479	LX 1774
6489	LX 2959
6593	LX 1777
6607	LX 2008
6761	LX 1775
6799	LX 2877
6930	LX 3069
7049	OX 260D
7062	OX 380D
7198	OX 383D
7328	OX 179D
9024	LX 1652
9062	LX 2947
9094	LX 2813
9204	LX 939
9214	LX 1277
9876	LX 1845

NIPPARTS	
J1320401	LX 96
J1320402	LX 95

OLD-FILTER	
APF4853	LX 517

PBR	
AC3006	HX 79
AI3016	LX 190
AI3074	LX 228
AI3136	LX 264
AI3208	LX 116
AI3273	LX 18
AI3273-08	LX 18
AI3275-08	LX 18
AI3298	LXS 214
AI3339	LXS 24
AI3602	LX 58
AI3603	LX 262
AI3629	LX 276
AI3650	LX 61
AI3659	LX 114
AI5014	LX 623
AI5028	LX 95
AI5029	LX 97
AI5077	LX 312
AI5113	LX 439/1
AI5137	LX 348
AI5138	LX 438
AI5139	LX 536
AI5143	LX 513/1
AI5146	LX 517

PERFILTER	
AF1164	LX 116
AF1174	LX 183
AF1756K	LX 18
AF1839	LXS 214
AF438	LX 264
AF8245	LX 61
AF8298	LX 86
AF8298	LX 276
AF9480	LX 97
AF9817	LX 95
AF9852	LX 96
AFL9307	LX 228
AFL9307	LX 246
AFL9312	LX 262
CA2613	LX 190
CA2735	LX 211
CA3137	LX 217
CA3725	LX 284
CA4272	LX 86
CA4335	LX 58
CA4539	LX 95

PERFILTER	
CA692PL	LX 190
E82L	LX 276

POWERTRAIN	
PMFA590	LX 61
PMFA625	LX 95
PMFA626	LX 96
PMFA687	LX 623

QH (QUINTON HAZELL)	
WA6013	LX 558
WA6014	LX 276
WA6027	LX 86
WA6172	LX 95
WA6174	LX 96
WA6175	LX 97
WA6198	LX 312
WA6296	LX 439/1
WA6297	LX 517
WA6377	LX 58
WA6378	LX 61
WA6379	LX 114
WA6386	LX 264
WA6587	LX 804/S
WA9432	LX 1652
WA9443	LX 1277
WA9520	LX 1845
WL7240	OX 153D3
WL7304	OX 133D
WL7416	OX 380D

SAKURA	
A44180	LX 116
A5676	LX 2008
H5503	HX 79

SAVARA	
2390/30	HX 79
2636/40	LX 228
2637/40	LX 190
2675/40	LX 116
92017811	HX 79
92225211	LX 228
92240111	LX 190
92282311	LX 183
92302611	LX 116
92322817	LX 211
92332917	LX 264
92333211	LXS 214
92336311	LX 18
92356111	LX 58
92359111	LX 95

SOFILTRA	
-----------------	--



SOFILTRA	
12380200	LX 18
123816	LX 18
123822	LX 18
124802	LXS 214
12480200	LXS 214
124817	LXS 214

SOFIMA	
S0160A	LX 228
S0520A	LX 96
S0850A	LX 18
S0974A	LX 61
S0975A	LX 638
S1430A	LX 312
S2350A	LX 116
S2810A	LX 264
S2850A	LXS 214
S3037A	LX 439/1
S3040A	LX 58
S3120A	LX 95
S3450A	LXS 24
S5760A	LX 276
S8040A	LX 262
S8230A	LX 97

SPX FILTRAN	
F363	HX 48

STAUFF INDUSTRIE	
EP205-1	HX 79

TECNOCAR	
A182	LX 264
A2043	LX 927
A2091	LX 1277
A213	LX 95
A215	LX 623
A2170	LX 804/S
A219	LX 558
A220	LX 638
A2234	LX 1845
A250	LX 96
A264	LX 439/1
A328	LX 97
A341	LX 312
A388	LX 61
A401	LX 86
A403	LX 58
A404	LX 114
A408	LX 262
A445	LX 284
A532	LX 116
A543	LXS 24
A580	LX 18
A581	LX 18

TECNOCAR	
A582	LXS 214
A607	LX 211
A609	LX 183
A610	LX 228
A613	LX 190
A675	LX 276
OP270	HX 79

TEHO	
1007	LX 18
10071	LXS 214
126	LX 228
207	LX 264
21007	LX 18
210071	LXS 214
2126	LX 228
2207	LX 264
22941	LX 95
2300	LX 97
2343	LX 58
23481	LX 96
23481	LX 1291
2459	LX 439/1
2463	LX 61
2498	LX 312
2514	LX 517
2535	LX 348
2536	LX 438
2545	LX 284
2585	LX 539
2594	LX 439/1
2600	LX 346
2603	LX 736
2648	LX 781
294	LX 95
343	LX 58
348	LX 96
3481	LX 1291
5185	HX 79
D185	HX 79

TJ FILTERS	
B357	LX 58
B358	LX 623
B359	LX 638
B360	LX 264
B361	LX 95
B362	LX 262
B364	LX 183
B368	LX 246
B369	LX 228
B370	LX 114
B371	LX 217
B372	LX 86
B373	LX 97
B374	LX 284

TJ FILTERS	
B375	LX 558
B376	LX 211
B377	LX 276
B66	LX 190

UFI	
2546300	HX 79
2716200	LX 558
2735600	LX 1142
2748600	LX 1277
2758600	LX 816/5
2775900	LX 228
2775901	LX 246
2779600	LX 211
2779700	LX 190
2779800	LX 217
2792200	LX 116
2793200	LX 18
2794900	LXS 214
2799600	LXS 24
3003700	LX 439/1
3007300	LX 517
3008100	LX 438
3008200	LX 513/1
3011900	LX 439/1
3018200	LX 939
3021900	LX 927
3031800	LX 1652
3080800	LX 183
3084300	LX 264
3084301	LX 264
3089300	LX 95
3089302	LX 623
3089600	LX 58
3091100	LX 96
3091600	LX 262
3092900	LX 97
3096100	LX 312
3097400	LX 61
3097500	LX 638
3097600	LX 114
3099300	LX 276

UNIPART	
GFE1206	LX 18
GFE2139	LX 183
GFE2140	LX 264
GFE2141	LX 228
GFE2142	LX 228
GFE2142	LX 217
GFE2187	LX 95
GFE2188	LX 96
GFE2191	LX 262
GFE2192	LX 284
GFE2194	LX 86

UNITEC

71973	LX 264
71985	LX 262

VALEO

585076	LX 439/1
585109	LX 96
585117	LX 95
585121	LX 517
585624	LX 1142

VECO AUTOMOTIVE

VY5212	LX 61
VY5214	LX 58
VY5215	LX 623
VY5217	LX 638
VY5218	LX 95
VY5219	LX 96
VY5220	LX 190
VY5221	LX 262
VY5222	LX 264
VY5224	LX 183
VY5225	LX 228
VY5225	LX 246
VY5226	LX 114
VY5227	LX 86
VY5228	LX 211
VY5229	LX 217
VY5231	LX 97
VY5233	LX 276

VIC

42525	LX 439/1
-------	-----------------

VTE

L0/2B	LX 228
L0/3	LX 190

WEVER

012823	LX 58
029561	LX 262
054403	LX 264
139758	LX 95
158758	LX 96
245597	LX 61

MAHLE	COMPETITOR	
HX 44	BOSCH	1457429416
HX 44	BOSCH	P9416
HX 44	HENGST	E26H
HX 44	KOLBENSCHMIDT	1720H
HX 44	KOLBENSCHMIDT	50013172
HX 44	MANN + HUMMEL	H85
HX 44	MECAFILTER	ELH4208
HX 48	HENGST	E67H
HX 48	MANN + HUMMEL	H1914/2
HX 48	SPX FILTRAN	F363
HX 79	AC-DELCO	C283
HX 79	AC-DELCO	PF492
HX 79	ALCO	MD225
HX 79	AMC	CO1709
HX 79	AP LOCKHEED	AP460
HX 79	AP LOCKHEED	LK460
HX 79	BALDWIN	PT557-10
HX 79	BALDWIN	PT90-10
HX 79	BALDWIN	PT90MPG
HX 79	BALDWIN	PT94
HX 79	CLEAN	ML413
HX 79	COOPERS	AZL081
HX 79	COOPERS	G552
HX 79	COOPERS	G695
HX 79	DIAMOND	DH230
HX 79	DONALDSON	P163927
HX 79	DONALDSON	P164205
HX 79	DONALDSON	P556064
HX 79	FAROM-GIESSE	LHI444
HX 79	FIAAM	FA4616
HX 79	FILT	FF112/1
HX 79	FLEETGUARD	HF6098
HX 79	FLEETGUARD	HF6342
HX 79	FLEETGUARD	LF603
HX 79	FRAM	C1660
HX 79	FRAM	C1660A
HX 79	HENGST	E51H
HX 79	LUBERFINER (CHAMP)	LP560
HX 79	LUBERFINER (CHAMP)	P560
HX 79	MANN + HUMMEL	H1497
HX 79	MANN + HUMMEL	H1497/1
HX 79	MOTORCRAFT	FL218
HX 79	NAPA	1197
HX 79	PBR	AC3006
HX 79	SAKURA	H5503
HX 79	SAVARA	2390/30
HX 79	SAVARA	92017811
HX 79	STAUFF INDUSTRIE	EP205-1
HX 79	TECNOCAR	OP270
HX 79	TEHO	5185
HX 79	TEHO	D185
HX 79	UFI	2546300
KX 357	NAPA	3585XE
KX 49D	MANN + HUMMEL	BFU700X

MAHLE	COMPETITOR	
LX 1137/S	BOSCH	1457433049
LX 1137/S	BOSCH	S3049
LX 1137/S	INTERCONTINENTAL	ALA8513
LX 1137/S	MANN + HUMMEL	C2861-2
LX 1137/S	MANN + HUMMEL	MA1126-2
LX 114	AC-DELCO	A1224C
LX 114	ALCO	MD9036
LX 114	BOSCH	1457429970
LX 114	BOSCH	S9970
LX 114	CHAMPION (FEDERAL MOGUL)	W229
LX 114	CLEAN	MA660
LX 114	COOPERS	AG762
LX 114	CROSLAND	8023
LX 114	FILTRON	AR037
LX 114	FRAM	CA4964
LX 114	HENGST	E73L
LX 114	KOLBENSCHMIDT	012AR
LX 114	KOLBENSCHMIDT	50013012
LX 114	MANN + HUMMEL	C41173
LX 114	MECAFILTER	EL3521
LX 114	MONARK-DIESEL	30780170
LX 114	MOTAQUIP	VFA636
LX 114	MOTORCRAFT	EFA496
LX 114	NAPA	2174
LX 114	PBR	A13659
LX 114	QH (QUINTON HAZELL)	WA6379
LX 114	TECNOCAR	A404
LX 114	TJ FILTERS	B370
LX 114	UFI	3097600
LX 114	VECO AUTOMOTIVE	VY5226
LX 1142	BALDWIN	RS3544
LX 1142	BOSCH	1457433332
LX 1142	CHAMPION LABORATORIES (EUROFILTER)	22-08
LX 1142	CHAMPION LABORATORIES (EUROFILTER)	220008
LX 1142	CLEAN	MA1412
LX 1142	CROSLAND	9783
LX 1142	DONALDSON	P770589
LX 1142	DONALDSON	P772580
LX 1142	DONALDSON	P828889
LX 1142	FILTRON	AR285
LX 1142	FLEETGUARD	AF25292
LX 1142	FLEETGUARD	AF25352
LX 1142	FLEETGUARD	AF25557
LX 1142	FRAM	CA5741
LX 1142	HENGST	E434L
LX 1142	MANN + HUMMEL	C17337
LX 1142	MANN + HUMMEL	C17337/2
LX 1142	MECAFILTER	FA3220
LX 1142	UFI	2735600
LX 1142	VALEO	585624

MAHLE	COMPETITOR	
LX 116	AC-DELCO	A207C
LX 116	AC-DELCO	PC335
LX 116	AIR REFINER	ARM912
LX 116	ALCO	MD356
LX 116	AP LOCKHEED	AP3036
LX 116	BALDWIN	LL1615
LX 116	BALDWIN	PA1615
LX 116	CHAMPION LABORATORIES	7-4
LX 116	CHAMPION LABORATORIES (EUROFILTER)	7-4
LX 116	CLEAN	MA501
LX 116	COOPERS	ADG546
LX 116	COOPERS	AZA602
LX 116	COOPERS	L95423
LX 116	CROSLAND	9553
LX 116	DIAMOND	DX610
LX 116	DONALDSON	P018709
LX 116	DONALDSON	P018709 2
LX 116	DONALDSON	P138751
LX 116	DONALDSON	P150907
LX 116	DONALDSON	P181103
LX 116	DONALDSON	P187090
LX 116	DONALDSON	P901524
LX 116	DONALDSON	SMP181103
LX 116	FIAAM	FLI6194
LX 116	FILT	A2221
LX 116	FLEETGUARD	AF344
LX 116	FLEETGUARD	AF344M
LX 116	FRAM	CA224
LX 116	LUBERFINER (CHAMP)	LAF47
LX 116	MANN + HUMMEL	C23326
LX 116	MANN + HUMMEL	C24444/1
LX 116	MECAFILTER	EL3065
LX 116	MECAFILTER	FA3247
LX 116	NAPA	2047
LX 116	PBR	AI3208
LX 116	PERFILTER	AF1164
LX 116	SAKURA	A44180
LX 116	SAVARA	2675/40
LX 116	SAVARA	92302611
LX 116	SOFIMA	S2350A
LX 116	TECNOCAR	A532
LX 116	UFI	2792200
LX 1277	A.L. FILTER	ALA8845/8
LX 1277	AC-DELCO	PC2041E
LX 1277	BOSCH	1987429401
LX 1277	BOSCH	S9401
LX 1277	CHAMPION (FEDERAL MOGUL)	V464
LX 1277	CLEAN	MA3016
LX 1277	FIAAM	FL9052
LX 1277	FRAM	CA9680
LX 1277	HENGST	E472L
LX 1277	MECAFILTER	EL9113
LX 1277	NAPA	9214
LX 1277	QH (QUINTON HAZELL)	WA9443

MAHLE	COMPETITOR	
LX 1277	TECNOCAR	A2091
LX 1277	UFI	2748600
LX 1291	BOSCH	1457429784
LX 1291	HENGST	E31L03
LX 1291	MANN + HUMMEL	C38163/2
LX 1291	TEHO	23481
LX 1291	TEHO	3481
LX 1466/S	BOSCH	1457433581
LX 1466/S	MANN + HUMMEL	C3170/1-2
LX 1652	BOSCH	1457433585
LX 1652	BOSCH	S3585
LX 1652	FILTRON	AP034/1
LX 1652	HENGST	E612L
LX 1652	MANN + HUMMEL	C2287
LX 1652	NAPA	9024
LX 1652	QH (QUINTON HAZELL)	WA9432
LX 1652	UFI	3031800
LX 1774	BALDWIN	RS3504
LX 1774	CHAMPION LABORATORIES (EUROFILTER)	220035
LX 1774	COOPERS	AEM2684
LX 1774	DONALDSON	P532501
LX 1774	FLEETGUARD	AF25025M
LX 1774	FLEETGUARD	AF25125M
LX 1774	FRAM	CA7486
LX 1774	HENGST	E591L
LX 1774	LUBERFINER (CHAMP)	LAF4501
LX 1774	MANN + HUMMEL	C29840
LX 1774	NAPA	6479
LX 1775	AC-DELCO	A2177C
LX 1775	BALDWIN	RS3734
LX 1775	BALDWIN	RS3884
LX 1775	CHAMPION LABORATORIES (EUROFILTER)	220026
LX 1775	COOPERS	AEM2746
LX 1775	CROSLAND	9809
LX 1775	DONALDSON	P777638
LX 1775	DONALDSON	P778214
LX 1775	DONALDSON	P778241
LX 1775	DONALDSON	P781039
LX 1775	DONALDSON	P781629
LX 1775	FLEETGUARD	AF25492
LX 1775	FLEETGUARD	AF25964
LX 1775	FRAM	CA5858
LX 1775	FRAM	CA8596
LX 1775	HENGST	E672L
LX 1775	LUBERFINER (CHAMP)	LAF8149
LX 1775	MANN + HUMMEL	C21630
LX 1775	MANN + HUMMEL	C21630/1
LX 1775	MANN + HUMMEL	C21630/2
LX 1775	NAPA	6761

MAHLE	COMPETITOR	
LX 1776	AC-DELCO	A1583C
LX 1776	BALDWIN	RS3508
LX 1776	CHAMPION LABORATORIES (EUROFILTER)	220028
LX 1776	COOPERS	AEM2680
LX 1776	DONALDSON	P532473
LX 1776	FLEETGUARD	AF25019M
LX 1776	FLEETGUARD	AF25131M
LX 1776	FRAM	CA7482
LX 1776	HENGST	E593L
LX 1776	LUBERFINER (CHAMP)	LAF4273
LX 1776	MANN + HUMMEL	C30899
LX 1776	MECAFILTER	FA3250
LX 1776	NAPA	6476
LX 1777	BALDWIN	RS3510
LX 1777	CHAMPION LABORATORIES	220030
LX 1777	CHAMPION LABORATORIES (EUROFILTER)	220030
LX 1777	COOPERS	AEM2678
LX 1777	COOPERS	AES2678
LX 1777	DONALDSON	P529289
LX 1777	DONALDSON	P532505
LX 1777	FLEETGUARD	AF25011M
LX 1777	FLEETGUARD	AF25135M
LX 1777	FRAM	CA7480
LX 1777	HENGST	E736L
LX 1777	LUBERFINER (CHAMP)	LAF4505
LX 1777	MANN + HUMMEL	C321170
LX 1777	MECAFILTER	FA3237
LX 1777	NAPA	6593
LX 18	AC-DELCO	A529C
LX 18	AC-DELCO	A587C
LX 18	AC-DELCO	A674A
LX 18	AC-DELCO	A674C
LX 18	AC-DELCO	PC299K
LX 18	AIR REFINER	ARM105368
LX 18	AIR REFINER	ARM119363
LX 18	AIR REFINER	ARM616
LX 18	AIR REFINER	ARM616K
LX 18	ALCO	MD260K
LX 18	AMC	IA379
LX 18	AP LOCKHEED	AP860
LX 18	AP LOCKHEED	LK860
LX 18	BALDWIN	LL2418FN
LX 18	BALDWIN	PA1822FN
LX 18	BALDWIN	PA2418FN
LX 18	BAUER	N07698
LX 18	BOSCH	1457429794
LX 18	BOSCH	1987430071
LX 18	BOSCH	S9794
LX 18	CHAMPION LABORATORIES (EUROFILTER)	32-02
LX 18	CHAMPION LABORATORIES	E32-02

MAHLE	COMPETITOR	
	(EUROFILTER)	
LX 18	CLEAN	MA430
LX 18	CLEAN	MA716
LX 18	COOPERS	ADG519
LX 18	COOPERS	AZA319T
LX 18	COOPERS	AZA332
LX 18	CROSLAND	997K
LX 18	DONALDSON	E700119
LX 18	DONALDSON	P105368
LX 18	DONALDSON	P105368*2P107868
LX 18	DONALDSON	P107868
LX 18	DONALDSON	P107868 2
LX 18	DONALDSON	P119136
LX 18	DONALDSON	P119363
LX 18	DONALDSON	P119409
LX 18	DONALDSON	P119409*2P119363
LX 18	DONALDSON	P122073
LX 18	DONALDSON	P122073*2P119363
LX 18	DONALDSON	P123405
LX 18	DONALDSON	P123753
LX 18	DONALDSON	P123753*2P131403
LX 18	DONALDSON	P124173
LX 18	DONALDSON	P128149
LX 18	DONALDSON	P128149*2P119363
LX 18	DONALDSON	P131403
LX 18	DONALDSON	P131403 2
LX 18	DONALDSON	P138442
LX 18	DONALDSON	P138635
LX 18	DONALDSON	P150610
LX 18	DONALDSON	P151145
LX 18	DONALDSON	P151774
LX 18	DONALDSON	P152644
LX 18	DONALDSON	P154632
LX 18	DONALDSON	P158557
LX 18	DONALDSON	P181059
LX 18	DONALDSON	P182059
LX 18	DONALDSON	P531182
LX 18	DONALDSON	P774519
LX 18	DONALDSON	P815880
LX 18	DONALDSON	P815881
LX 18	DONALDSON	P900433
LX 18	DONALDSON	P900836
LX 18	DONALDSON	SMP181059
LX 18	DONALDSON	XLP182059
LX 18	FIAAM	FLI6435
LX 18	FISPA	FAC682
LX 18	FLEETGUARD	AF1733K
LX 18	FLEETGUARD	AF1733KM
LX 18	FLEETGUARD	AF4059K
LX 18	FRAM	CAK1544
LX 18	FRAM	CAK565
LX 18	FRAM	CAK565A
LX 18	HASTINGS	AF477
LX 18	HENGST	E567L
LX 18	KOLBENSCHMIDT	342AR
LX 18	KOLBENSCHMIDT	50013342
LX 18	LUBERFINER (CHAMP)	LAF1544
LX 18	LUBERFINER (CHAMP)	LAF5368

MAHLE	COMPETITOR	
LX 18	MANN + HUMMEL	C16302
LX 18	MANN + HUMMEL	C16335
LX 18	MECAFILTER	FA3646
LX 18	MOTORCRAFT	FA176
LX 18	NAPA	2868
LX 18	PBR	AI3273
LX 18	PBR	AI3273-08
LX 18	PBR	AI3275-08
LX 18	PERFILTER	AF1756K
LX 18	SAVARA	92336311
LX 18	SOFILTRA	12380200
LX 18	SOFILTRA	123816
LX 18	SOFILTRA	123822
LX 18	SOFIMA	S0850A
LX 18	TECNOCAR	A580
LX 18	TECNOCAR	A581
LX 18	TEHO	1007
LX 18	TEHO	21007
LX 18	UFI	2793200
LX 18	UNIPART	GFE1206
LX 183	AC-DELCO	PC163
LX 183	ALCO	MD310
LX 183	AP LOCKHEED	AP3401
LX 183	AP LOCKHEED	LK3401
LX 183	BOSCH	1457429065
LX 183	CHAMPION LABORATORIES (EUROFILTER)	4-17
LX 183	COOPERS	AG439
LX 183	CROSLAND	783
LX 183	ESSO	9307
LX 183	FIAAM	FL6472
LX 183	FIAAM	FLI6472
LX 183	FILTRON	AR290
LX 183	FRAM	CA2731
LX 183	HENGST	E1L
LX 183	MANN + HUMMEL	C42098
LX 183	MAX-FILTER	ML207
LX 183	MECAFILTER	EL3743
LX 183	MOTAQUIP	VFA398
LX 183	PERFILTER	AF1174
LX 183	SAVARA	92282311
LX 183	TECNOCAR	A609
LX 183	TJ FILTERS	B364
LX 183	UFI	3080800
LX 183	UNIPART	GFE2139
LX 183	VECO AUTOMOTIVE	VY5224
LX 1845	A.L. FILTER	ALA8872
LX 1845	ALCO	MD8282
LX 1845	BOSCH	F026400055
LX 1845	CHAMPION (FEDERAL MOGUL)	U872
LX 1845	DAIMIER-BENZ MOTOR CO.	0000902651
LX 1845	FIAAM	PA7551
LX 1845	FRAM	CA10330
LX 1845	HENGST	E821L

MAHLE	COMPETITOR	
LX 1845	MANN + HUMMEL	C4312
LX 1845	MANN + HUMMEL	C4312/1
LX 1845	MECAFILTER	ELP9165
LX 1845	NAPA	9876
LX 1845	QH (QUINTON HAZELL)	WA9520
LX 1845	TECNOCAR	A2234
LX 1850/1	MANN + HUMMEL	C25004
LX 1850/1	MANN + HUMMEL	C2520
LX 1850/1	MANN + HUMMEL	C27000-2
LX 1850/1	MANN + HUMMEL	C2720
LX 1850/2	MANN + HUMMEL	C2520
LX 1850/2	MANN + HUMMEL	C27000-2
LX 1850/2	MANN + HUMMEL	C27006
LX 1850/2	MANN + HUMMEL	C2720
LX 190	AC-DELCO	PC162
LX 190	AIR REFINER	ARP877
LX 190	ALCO	MD140
LX 190	BOSCH	1457429024
LX 190	BOSCH	1457429060
LX 190	BOSCH	1457429525
LX 190	BOSCH	1457429952 SB
LX 190	BOSCH	1457431406
LX 190	CLEAN	MA426
LX 190	COOPERS	AG438
LX 190	CROSLAND	877
LX 190	ESSO	9294
LX 190	FIAAM	FL6836
LX 190	FILT	A2249
LX 190	FRAM	CA2613
LX 190	FRAM	CA2613SP
LX 190	FRAM	CA692PL
LX 190	HENGST	E1300L
LX 190	MANN + HUMMEL	C1883/2
LX 190	MANN + HUMMEL	C20105
LX 190	MOTORCRAFT	EFA68
LX 190	NAPA	2165
LX 190	PBR	AI3016
LX 190	PERFILTER	CA2613
LX 190	PERFILTER	CA692PL
LX 190	SAVARA	2637/40
LX 190	SAVARA	92240111
LX 190	TECNOCAR	A613
LX 190	TJ FILTERS	B66
LX 190	UFI	2779700
LX 190	VECO AUTOMOTIVE	VY5220
LX 190	VTE	L0/3
LX 2008	BALDWIN	RS3506
LX 2008	CHAMPION LABORATORIES (EUROFILTER)	220033
LX 2008	COOPERS	AEM2682
LX 2008	DONALDSON	P532503
LX 2008	FLEETGUARD	AF25038M
LX 2008	FLEETGUARD	AF25129M
LX 2008	FRAM	CA7484



MAHLE	COMPETITOR	
LX 2008	LUBERFINER (CHAMP)	LAF4503
LX 2008	MANN + HUMMEL	C281045
LX 2008	NAPA	6607
LX 2008	SAKURA	A5676
LX 211	AC-DELCO	A794C
LX 211	AC-DELCO	PC266
LX 211	AP LOCKHEED	AP3307
LX 211	AP LOCKHEED	LK3307
LX 211	BOSCH	1457429069
LX 211	COOPERS	AG537
LX 211	CROSLAND	9015
LX 211	FIAAM	FL6734
LX 211	FRAM	CA2735
LX 211	GUIOT	GA2735
LX 211	HENGST	E2L
LX 211	HENGST	E2L/1
LX 211	KOLBENSCHMIDT	123AR
LX 211	KOLBENSCHMIDT	50013123
LX 211	MANN + HUMMEL	C36157
LX 211	MOTAQUIP	VFA401
LX 211	NAPA	6055
LX 211	PERFILTER	CA2735
LX 211	SAVARA	92322817
LX 211	TECNOCAR	A607
LX 211	TJ FILTERS	B376
LX 211	UFI	2779600
LX 211	VECO AUTOMOTIVE	VY5228
LX 217	AC-DELCO	A807C
LX 217	AC-DELCO	PC265
LX 217	AP LOCKHEED	AP3312
LX 217	BOSCH	1457429074
LX 217	COOPERS	AG609
LX 217	CROSLAND	9014
LX 217	FIAAM	FL6732
LX 217	FILTRON	AE345
LX 217	FRAM	CA3137
LX 217	HENGST	E4L
LX 217	HENGST	E4L/2
LX 217	MANN + HUMMEL	C54121
LX 217	MECAFILTER	EL3744
LX 217	MOTORCRAFT	EFA181
LX 217	NAPA	6010
LX 217	PERFILTER	CA3137
LX 217	TJ FILTERS	B371
LX 217	UFI	2779800
LX 217	UNIPART	GFE2142
LX 217	VECO AUTOMOTIVE	VY5229
LX 228	AC-DELCO	A607C
LX 228	AC-DELCO	PC263
LX 228	AIR REFINER	ARP2120
LX 228	ALCO	MD246
LX 228	AP LOCKHEED	AP3261
LX 228	AP LOCKHEED	LK3261
LX 228	BALDWIN	PA1901
LX 228	BOSCH	1457429056

MAHLE	COMPETITOR	
LX 228	BOSCH	9457222520
LX 228	BOSCH	S9056
LX 228	CHAMPION LABORATORIES	AF112
LX 228	CLEAN	MA427
LX 228	COOPERS	AG372
LX 228	COOPERS	AG440
LX 228	COOPERS	AZA016
LX 228	CROSLAND	897
LX 228	DIAMOND	DX2669
LX 228	FAROM-GIESSE	AH843
LX 228	FILT	A2128
LX 228	FILTRON	AR218
LX 228	FISPA	FAC126
LX 228	FISPA	FAC626
LX 228	FLEETGUARD	AF4124
LX 228	FRAM	CA3156
LX 228	FRAM	CA699
LX 228	FRAM	CA699PL
LX 228	GUIOT	GA699
LX 228	HENGST	E220L
LX 228	LUBERFINER (CHAMP)	AF112
LX 228	MANN + HUMMEL	C15120
LX 228	MANN + HUMMEL	C15120/2
LX 228	MECAFILTER	EL3045
LX 228	MECAFILTER	EL3699
LX 228	MIOFILTRE	20023
LX 228	MOTAQUIP	VFA248
LX 228	NAPA	6290
LX 228	PBR	A13074
LX 228	PERFILTER	AFL9307
LX 228	SAVARA	2636/40
LX 228	SAVARA	92225211
LX 228	SOFIMA	S0160A
LX 228	TECNOCAR	A610
LX 228	TEHO	126
LX 228	TEHO	2126
LX 228	TJ FILTERS	B369
LX 228	UFI	2775900
LX 228	UNIPART	GFE2141
LX 228	UNIPART	GFE2142
LX 228	VECO AUTOMOTIVE	VY5225
LX 228	VTE	L0/2B
LX 246	AC-DELCO	A804C
LX 246	FILTRON	AR218
LX 246	FRAM	CA3156
LX 246	MANN + HUMMEL	C15120
LX 246	MANN + HUMMEL	C16162/1
LX 246	MOTAQUIP	VFA248
LX 246	NAPA	6290
LX 246	PERFILTER	AFL9307
LX 246	TJ FILTERS	B368
LX 246	UFI	2775901
LX 246	VECO AUTOMOTIVE	VY5225
LX 262	AC-DELCO	PC448
LX 262	ALCO	MD318
LX 262	AP LOCKHEED	AP3344

MAHLE	COMPETITOR	
LX 262	AP LOCKHEED	LK3344
LX 262	BOSCH	1457429082
LX 262	BOSCH	1457429995 SB
LX 262	COOPERS	AG205
LX 262	COOPERS	AG685
LX 262	CROSLAND	9018
LX 262	DONIT	414018
LX 262	ESSO	8191
LX 262	FIAAM	FL6730
LX 262	FILTRON	AE297
LX 262	FISPA	FAC213
LX 262	FISPA	FAC713
LX 262	FRAM	CA4274
LX 262	HENGST	E700L
LX 262	KOLBENSCHMIDT	008AR
LX 262	KOLBENSCHMIDT	50013008
LX 262	MANN + HUMMEL	C35118
LX 262	MOTAQUIP	VFA384
LX 262	MOTORCRAFT	EFA182
LX 262	PBR	AI3603
LX 262	PERFILTER	AFL9312
LX 262	SOFIMA	S8040A
LX 262	TECNOCAR	A408
LX 262	TJ FILTERS	B362
LX 262	UFI	3091600
LX 262	UNIPART	GFE2191
LX 262	UNITEC	71985
LX 262	VECO AUTOMOTIVE	VY5221
LX 262	WEVER	029561
LX 264	AC-DELCO	A806C
LX 264	AC-DELCO	PC507
LX 264	AC-DELCO	PC810
LX 264	ALCO	MD286
LX 264	AP LOCKHEED	AP3346
LX 264	BALDWIN	PA2081
LX 264	BOSCH	1457429080
LX 264	BOSCH	1457429989 SB
LX 264	BOSCH	S9080
LX 264	CHAMPION (FEDERAL MOGUL)	W149
LX 264	CLEAN	MA124
LX 264	COOPERS	AG622
LX 264	CROSLAND	747
LX 264	ESSO	8542
LX 264	FIAAM	FL6575
LX 264	FILTRON	AR204
LX 264	FISPA	FAC187
LX 264	FISPA	FAC687
LX 264	FRAM	CA3159
LX 264	HENGST	E87L
LX 264	HENGST	E87L01
LX 264	KOLBENSCHMIDT	070AR
LX 264	KOLBENSCHMIDT	50013070
LX 264	MANN + HUMMEL	C30122
LX 264	MECAFILTER	EL3331
LX 264	MECAFILTER	FA3422
LX 264	MIOFILTRE	20041
LX 264	MONARK-DIESEL	30780080

MAHLE	COMPETITOR	
LX 264	MOTAQUIP	VFA249
LX 264	MOTAQUIP	VFA346
LX 264	MOTORCRAFT	EFA256
LX 264	NAPA	2106
LX 264	PBR	AI3136
LX 264	PERFILTER	AF438
LX 264	QH (QUINTON HAZELL)	WA6386
LX 264	SAVARA	92332917
LX 264	SOFIMA	S2810A
LX 264	TECNOCAR	A182
LX 264	TEHO	207
LX 264	TEHO	2207
LX 264	TJ FILTERS	B360
LX 264	UFI	3084300
LX 264	UFI	3084301
LX 264	UNIPART	GFE2140
LX 264	UNITEC	71973
LX 264	VECO AUTOMOTIVE	VY5222
LX 264	WEVER	054403
LX 276	AC-DELCO	A795C
LX 276	ALCO	MD9094
LX 276	AP LOCKHEED	AP3581
LX 276	AP LOCKHEED	LK3581
LX 276	BOSCH	1457429993
LX 276	BOSCH	S9993
LX 276	CHAMPION (FEDERAL MOGUL)	W126
LX 276	CLEAN	MA130
LX 276	COOPERS	AG260
LX 276	COOPERS	AG684
LX 276	CROSLAND	8024
LX 276	DELPHI	AF0447
LX 276	FIAAM	FL6703
LX 276	FILTRON	AE328
LX 276	FRAM	CA4275
LX 276	HENGST	E82L
LX 276	KOLBENSCHMIDT	011AR
LX 276	KOLBENSCHMIDT	50013011
LX 276	MANN + HUMMEL	C40174
LX 276	MAX-FILTER	ML183
LX 276	MECAFILTER	EL3520
LX 276	MONARK-DIESEL	30780163
LX 276	MOTAQUIP	VFA402
LX 276	MOTORCRAFT	EFA498
LX 276	NAPA	6050
LX 276	PBR	AI3629
LX 276	PERFILTER	AF8298
LX 276	PERFILTER	E82L
LX 276	QH (QUINTON HAZELL)	WA6014
LX 276	SOFIMA	S5760A
LX 276	TECNOCAR	A675
LX 276	TJ FILTERS	B377
LX 276	UFI	3099300
LX 276	VECO AUTOMOTIVE	VY5233
LX 2813	A.L. FILTER	ALA8882
LX 2813	HENGST	E1015L
LX 2813	MANN + HUMMEL	C3210



Sealing Products

MAHLE	COMPETITOR	
LX 2813	NAPA	9094
LX 284	BOSCH	1457433051
LX 284	COOPERS	AG258
LX 284	CROSLAND	9101
LX 284	FIAAM	FL6656
LX 284	FILTRON	AR327
LX 284	FISPA	FAC954
LX 284	FRAM	CA3725
LX 284	HENGST	107L
LX 284	HENGST	E107L
LX 284	KOLBENSCHMIDT	120AR
LX 284	KOLBENSCHMIDT	50013120
LX 284	MANN + HUMMEL	C31190
LX 284	MECAFILTER	EL3740
LX 284	MOTORCRAFT	EFA424
LX 284	NAPA	2194
LX 284	PERFILTER	CA3725
LX 284	TECNOCAR	A445
LX 284	TEHO	2545
LX 284	TJ FILTERS	B374
LX 284	UNIPART	GFE2192
LX 2877	CHAMPION (FEDERAL MOGUL)	U784
LX 2877	HENGST	E455L02
LX 2877	MANN + HUMMEL	C3689
LX 2877	NAPA	6799
LX 2933	BALDWIN	PA3763
LX 2933	FRAM	CA7640
LX 2933	MANN + HUMMEL	MA1156
LX 2933	NAPA	6272
LX 2947	BALDWIN	PA4162
LX 2947	FRAM	CA9589
LX 2947	MANN + HUMMEL	MA1071
LX 2947	NAPA	9062
LX 2958	BALDWIN	RS3704
LX 2958	CHAMPION LABORATORIES (EUROFILTER)	220011
LX 2958	DONALDSON	P821575
LX 2958	FLEETGUARD	AF25551
LX 2958	FLEETGUARD	AF25575
LX 2958	FRAM	CA9591
LX 2958	HENGST	E816L
LX 2958	LUBERFINER (CHAMP)	LAF8195
LX 2958	MANN + HUMMEL	C1196
LX 2958	MANN + HUMMEL	C1196/2
LX 2958	NAPA	6438
LX 2959	BALDWIN	RS3988
LX 2959	CHAMPION LABORATORIES (EUROFILTER)	220056
LX 2959	DONALDSON	P822768
LX 2959	FLEETGUARD	AF25308

MAHLE	COMPETITOR	
LX 2959	FLEETGUARD	AF25436
LX 2959	FLEETGUARD	AF25553
LX 2959	FRAM	CA9246
LX 2959	MANN + HUMMEL	C13145
LX 2959	MANN + HUMMEL	C13145/2
LX 2959	NAPA	6489
LX 3069	FRAM	CA10261
LX 3069	NAPA	6930
LX 312	ALCO	MD9286
LX 312	BOSCH	1457433002
LX 312	BOSCH	S3002
LX 312	CHAMPION (FEDERAL MOGUL)	U625
LX 312	CLEAN	MA175
LX 312	CROSLAND	8047
LX 312	FIAAM	PA7122
LX 312	FILTRON	AP034
LX 312	FRAM	CA6868
LX 312	HENGST	E207L
LX 312	KOLBENSCHMIDT	393AP
LX 312	KOLBENSCHMIDT	50013393
LX 312	MANN + HUMMEL	C23148
LX 312	MAX-FILTER	ML66
LX 312	MECAFILTER	ELP3596
LX 312	MOTAQUIP	VFA840
LX 312	NAPA	2367
LX 312	PBR	A15077
LX 312	QH (QUINTON HAZELL)	WA6198
LX 312	SOFIMA	S1430A
LX 312	TECNOCAR	A341
LX 312	TEHO	2498
LX 312	UFI	3096100
LX 346	FRAM	CA7335
LX 346	HENGST	E174L
LX 346	KOLBENSCHMIDT	223AR
LX 346	KOLBENSCHMIDT	50013223
LX 346	MANN + HUMMEL	C38161
LX 346	NAPA	6003
LX 346	TEHO	2600
LX 348	BOSCH	1457433700
LX 348	BOSCH	S3700
LX 348	CHAMPION (FEDERAL MOGUL)	U672
LX 348	CROSLAND	8054
LX 348	FIAAM	PA7249
LX 348	FILTRON	AP010/2
LX 348	FRAM	CA7336
LX 348	HENGST	E171L
LX 348	KOLBENSCHMIDT	083AP
LX 348	KOLBENSCHMIDT	50013083
LX 348	MANN + HUMMEL	C33102
LX 348	MAX-FILTER	ML197/R
LX 348	MECAFILTER	ELP3685
LX 348	NAPA	2365
LX 348	PBR	A15137

MAHLE	COMPETITOR	
LX 348	TEHO	2535
LX 438	ALCO	MD9282
LX 438	BOSCH	1457433701
LX 438	BOSCH	S3701
LX 438	CHAMPION (FEDERAL MOGUL)	U624
LX 438	CHAMPION LABORATORIES	AF8309
LX 438	CLEAN	MA1068
LX 438	CROSLAND	8053
LX 438	FILTRON	AP118/4
LX 438	FRAM	CA5489
LX 438	FRAM	CA7623
LX 438	HENGST	E227L
LX 438	KOLBENSCHMIDT	206AP
LX 438	KOLBENSCHMIDT	50013206
LX 438	MANN + HUMMEL	C31144
LX 438	MAX-FILTER	ML142
LX 438	MECAFILTER	ELP3727
LX 438	PBR	AI5138
LX 438	TEHO	2536
LX 438	UFI	3008100
LX 439/1	A.L. FILTER	ALA8498/2
LX 439/1	ALCO	MD9254
LX 439/1	BOSCH	1457433600
LX 439/1	BOSCH	1457433752
LX 439/1	BOSCH	1457433817 SB
LX 439/1	BOSCH	L303
LX 439/1	BOSCH	S3752
LX 439/1	CHAMPION (FEDERAL MOGUL)	U642
LX 439/1	CHAMPION (FEDERAL MOGUL)	U742
LX 439/1	CHAMPION LABORATORIES	AF7971
LX 439/1	CLEAN	MA1155
LX 439/1	COOPERS	AG1189
LX 439/1	CROSLAND	8051
LX 439/1	FIAAM	PA7164
LX 439/1	FIAAM	PA7230
LX 439/1	FILTRON	AP118
LX 439/1	FILTRON	AP118/6
LX 439/1	FRAM	CA5539
LX 439/1	FRAM	CA5948
LX 439/1	FRAM	CA8767
LX 439/1	HENGST	E223L
LX 439/1	HENGST	E321L
LX 439/1	INTERCONTINENTAL	ALA8498
LX 439/1	KOLBENSCHMIDT	205AP
LX 439/1	KOLBENSCHMIDT	50013205
LX 439/1	LUBERFINER (CHAMP)	AF7971
LX 439/1	MANN + HUMMEL	C30195
LX 439/1	MANN + HUMMEL	C30195/2
LX 439/1	MECAFILTER	ELP3637
LX 439/1	MECAFILTER	ELP3751
LX 439/1	MOTAQUIP	VFA778
LX 439/1	PBR	AI5113

MAHLE	COMPETITOR	
LX 439/1	QH (QUINTON HAZELL)	WA6296
LX 439/1	SOFIMA	S3037A
LX 439/1	TECNOCAR	A264
LX 439/1	TEHO	2459
LX 439/1	TEHO	2594
LX 439/1	UFI	3003700
LX 439/1	UFI	3011900
LX 439/1	VALEO	585076
LX 439/1	VIC	42525
LX 472	BOSCH	1457433052
LX 472	BOSCH	S3052
LX 472	CLEAN	MA1069
LX 472	FIAAM	PA7265
LX 472	FILTRON	AP118/2
LX 472	HENGST	E368L
LX 472	KOLBENSCHMIDT	173AP
LX 472	KOLBENSCHMIDT	50013173
LX 472	MANN + HUMMEL	C37157
LX 472	MAX-FILTER	ML175
LX 472	NAPA	2368
LX 513/1	BOSCH	1457433703
LX 513/1	BOSCH	S3703
LX 513/1	CHAMPION (FEDERAL MOGUL)	U692
LX 513/1	CHAMPION LABORATORIES	LAF8996
LX 513/1	CLEAN	MA1066
LX 513/1	CROSLAND	8058
LX 513/1	DONALDSON	P784015
LX 513/1	FIAAM	PA7234
LX 513/1	FILTRON	AP157/1
LX 513/1	FLEETGUARD	AF25319
LX 513/1	FRAM	CA5777
LX 513/1	FRAM	CA5876
LX 513/1	FRAM	CA8668
LX 513/1	HENGST	E240L01
LX 513/1	INTERCONTINENTAL	ALA8490
LX 513/1	KOLBENSCHMIDT	392AP
LX 513/1	KOLBENSCHMIDT	50013392
LX 513/1	LUBERFINER (CHAMP)	LAF8884
LX 513/1	LUBERFINER (CHAMP)	LAF8996
LX 513/1	MANN + HUMMEL	C32338/1
LX 513/1	MANN + HUMMEL	MA1158
LX 513/1	MAX-FILTER	ML171/CS
LX 513/1	MECAFILTER	FA2219
LX 513/1	MOTAQUIP	VFA842
LX 513/1	PBR	AI5143
LX 513/1	UFI	3008200
LX 517	BIG	GB9656
LX 517	BOSCH	1457433699
LX 517	BOSCH	1457433807 SB
LX 517	BOSCH	S3699
LX 517	CLEAN	MA1058
LX 517	FIAAM	PA7196
LX 517	FILTRON	AP118/1
LX 517	FRAM	CA5782



Sealing Products

MAHLE	COMPETITOR	
LX 517	HENGST	E242L
LX 517	KOLBENSCHMIDT	222AP
LX 517	KOLBENSCHMIDT	50013222
LX 517	MANN + HUMMEL	C34175
LX 517	MAX-FILTER	ML172/C
LX 517	MECAFILTER	ELP3735
LX 517	MOTRIO	8671000198
LX 517	NAPA	2462
LX 517	OLD-FILTER	APF4853
LX 517	PBR	A15146
LX 517	QH (QUINTON HAZELL)	WA6297
LX 517	TEHO	2514
LX 517	UFI	3007300
LX 517	VALEO	585121
LX 536	ALCO	MD9308
LX 536	AMC	SA9852
LX 536	CHAMPION (FEDERAL MOGUL)	U673
LX 536	FIAAM	PA7262
LX 536	HENGST	E371L
LX 536	HERTH & BUSS JAKOPARTS	J1320405
LX 536	MANN + HUMMEL	C36168
LX 536	MAX-FILTER	ML159/C
LX 536	MECAFILTER	2319008401
LX 536	MECAFILTER	ELP9276
LX 536	NAPA	2262
LX 536	PBR	A15139
LX 539	BOSCH	1457433751
LX 539	BOSCH	S3751
LX 539	CLEAN	MA1344
LX 539	FIAAM	PA7297
LX 539	FILTRON	AP118/5
LX 539	HENGST	E318L
LX 539	KOLBENSCHMIDT	426AP
LX 539	KOLBENSCHMIDT	50013426
LX 539	MANN + HUMMEL	C24106
LX 539	NAPA	2620
LX 539	TEHO	2585
LX 558	AC-DELCO	A1242C
LX 558	ALCO	MD5050
LX 558	BOSCH	1457429949
LX 558	BOSCH	S9949
LX 558	CHAMPION (FEDERAL MOGUL)	W196
LX 558	CLEAN	MA644
LX 558	CROSLAND	8080
LX 558	FIAAM	FL6766
LX 558	FILTRON	AE326
LX 558	FRAM	CA6388
LX 558	HENGST	E197L
LX 558	MANN + HUMMEL	C29200
LX 558	NAPA	2228
LX 558	QH (QUINTON HAZELL)	WA6013
LX 558	TECNOCAR	A219
LX 558	TJ FILTERS	B375

MAHLE	COMPETITOR	
LX 558	UFI	2716200
LX 58	AC-DELCO	PC506
LX 58	ALCO	MD456
LX 58	ALCO	MD9456
LX 58	AP LOCKHEED	LK3721
LX 58	BOSCH	1457429956 SB
LX 58	BOSCH	1457429992
LX 58	BOSCH	S9992
LX 58	CHAMPION (FEDERAL MOGUL)	W148
LX 58	CLEAN	MA107
LX 58	COOPERS	AG642
LX 58	COOPERS	AG719
LX 58	CROSLAND	9054
LX 58	DONIT	414017
LX 58	ESSO	8345
LX 58	FIAAM	FL6670
LX 58	FILTRON	AR033
LX 58	FISPA	FAC949
LX 58	FRAM	CA4335
LX 58	HENGST	E81L
LX 58	KOLBENSCHMIDT	007AR
LX 58	KOLBENSCHMIDT	50013007
LX 58	MANN + HUMMEL	C37107
LX 58	MAX-FILTER	ML23
LX 58	MECAFILTER	EL3327
LX 58	MONARK-DIESEL	30780137
LX 58	MOTAQUIP	VFA390
LX 58	MOTORCRAFT	EFA287
LX 58	MOTORCRAFT	EFA440
LX 58	MOTRIO	8671002710
LX 58	PBR	A13602
LX 58	PERFILTER	CA4335
LX 58	QH (QUINTON HAZELL)	WA6377
LX 58	SAVARA	92356111
LX 58	SOFIMA	S3040A
LX 58	TECNOCAR	A403
LX 58	TEHO	2343
LX 58	TEHO	343
LX 58	TJ FILTERS	B357
LX 58	UFI	3089600
LX 58	VECO AUTOMOTIVE	VY5214
LX 58	WEVER	012823
LX 61	AC-DELCO	PC591
LX 61	ALCO	MD9166
LX 61	BOSCH	1457429787
LX 61	BOSCH	1457433705 SB
LX 61	BOSCH	L710
LX 61	BOSCH	S9787
LX 61	CHAMPION (FEDERAL MOGUL)	W228
LX 61	CLEAN	MA1007
LX 61	CROSLAND	9283
LX 61	FIAAM	FL6827
LX 61	FILTRON	AR036
LX 61	FRAM	CA7245
LX 61	HENGST	E172L

MAHLE	COMPETITOR	
LX 61	KOLBENSCHMIDT	066AR
LX 61	KOLBENSCHMIDT	50013066
LX 61	MANN + HUMMEL	C41121
LX 61	MAX-FILTER	ML67
LX 61	MECAFILTER	EL3330
LX 61	MECAFILTER	EL3522
LX 61	MECAFILTER	EL3695
LX 61	MOTAQUIP	VFA594
LX 61	MOTRIO	8671002697
LX 61	PBR	AI3650
LX 61	PERFILTER	AF8245
LX 61	POWERTRAIN	PMFA590
LX 61	QH (QUINTON HAZELL)	WA6378
LX 61	SOFIMA	S0974A
LX 61	TECNOCAR	A388
LX 61	TEHO	2463
LX 61	UFI	3097400
LX 61	VECO AUTOMOTIVE	VY5212
LX 61	WEVER	245597
LX 616	BOSCH	1457429782
LX 616	BOSCH	S9782
LX 616	FRAM	CA6844
LX 616	HENGST	E154L
LX 616	MANN + HUMMEL	C3388
LX 617	BOSCH	1457433524
LX 617	BOSCH	S3524
LX 617	FILTRON	AP035/1
LX 617	FRAM	CA7337
LX 617	HENGST	E167L
LX 617	MANN + HUMMEL	C3484
LX 617	MAX-FILTER	ML196/C
LX 617	NAPA	2364
LX 623	CHAMPION (FEDERAL MOGUL)	W195
LX 623	CLEAN	MA659
LX 623	CROSLAND	9183
LX 623	FIAAM	PA7064
LX 623	FILTRON	AP009
LX 623	FRAM	CA4581
LX 623	FRAM	CA6385
LX 623	HENGST	E30L01
LX 623	MANN + HUMMEL	C29126/1
LX 623	MECAFILTER	ELP3523
LX 623	MECAFILTER	FA1830
LX 623	MOTAQUIP	VFA596
LX 623	PBR	AI5014
LX 623	POWERTRAIN	PMFA687
LX 623	TECNOCAR	A215
LX 623	TJ FILTERS	B358
LX 623	UFI	3089302
LX 623	VECO AUTOMOTIVE	VY5215
LX 638	ALCO	MD5010
LX 638	BOSCH	1457429948
LX 638	BOSCH	S9948
LX 638	CHAMPION (FEDERAL MOGUL)	W189

MAHLE	COMPETITOR	
LX 638	MOGUL)	
LX 638	CLEAN	MA371
LX 638	FILTRON	AR036/1
LX 638	FRAM	CA6870
LX 638	HENGST	E64L
LX 638	MANN + HUMMEL	C41123
LX 638	MAX-FILTER	ML239
LX 638	MECAFILTER	EL3690
LX 638	MOTAQUIP	VFA525
LX 638	NAPA	6291
LX 638	SOFIMA	S0975A
LX 638	TECNOCAR	A220
LX 638	TJ FILTERS	B359
LX 638	UFI	3097500
LX 638	VECO AUTOMOTIVE	VY5217
LX 736	CROSLAND	9180
LX 736	FIAAM	PA7283
LX 736	FILTRON	AP010/3
LX 736	FRAM	CA7366
LX 736	HENGST	E229L
LX 736	MANN + HUMMEL	C28191
LX 736	MAX-FILTER	ML123
LX 736	MECAFILTER	ELP3741
LX 736	MOTAQUIP	VFA884
LX 736	TEHO	2603
LX 781	HENGST	E683L
LX 781	MANN + HUMMEL	C3479
LX 781	NAPA	2052
LX 781	TEHO	2648
LX 804/S	A.L. FILTER	ALA8862
LX 804/S	ALCO	MD9528
LX 804/S	BOSCH	1457433071
LX 804/S	CHAMPION (FEDERAL MOGUL)	U785
LX 804/S	CHAMPION LABORATORIES (EUROFILTER)	170121
LX 804/S	CLEAN	MA3028
LX 804/S	FIAAM	PA7314
LX 804/S	FIAAM	PA7314-2
LX 804/S	FILTRON	AP118/3
LX 804/S	FILTRON	AP118/3-2X
LX 804/S	FRAM	CA8768
LX 804/S	FRAM	CA8768-2
LX 804/S	HENGST	E455L
LX 804/S	HENGST	E455L01
LX 804/S	KOLBENSCHMIDT	423AP
LX 804/S	KOLBENSCHMIDT	50013423
LX 804/S	MANN + HUMMEL	C3698
LX 804/S	MANN + HUMMEL	C3698/2
LX 804/S	MANN + HUMMEL	C3698/3
LX 804/S	MANN + HUMMEL	C3698/3-2
LX 804/S	MAX-FILTER	ML280/C
LX 804/S	MECAFILTER	JLP3911
LX 804/S	QH (QUINTON HAZELL)	WA6587
LX 804/S	TECNOCAR	A2170



Sealing Products

MAHLE	COMPETITOR	
LX 816/5	BOSCH	1457433334
LX 816/5	FILTRON	AK218/3
LX 816/5	HENGST	E544L
LX 816/5	MANN + HUMMEL	C12178
LX 816/5	UFI	2758600
LX 86	ALCO	MD5012
LX 86	AP LOCKHEED	AP3349
LX 86	AP LOCKHEED	LK3349
LX 86	BOSCH	1457429081
LX 86	BOSCH	1457429996
LX 86	CLEAN	MA377
LX 86	COOPERS	AG259
LX 86	COOPERS	AG538
LX 86	COOPERS	AG686
LX 86	CROSLAND	9016
LX 86	FIAAM	FL6731
LX 86	FILTRON	AE345/1
LX 86	FRAM	CA4272
LX 86	FRAM	CA6384
LX 86	HENGST	E800L
LX 86	HENGST	E800L01
LX 86	MANN + HUMMEL	C32126
LX 86	MANN + HUMMEL	C37145
LX 86	MAX-FILTER	ML202
LX 86	MECAFILTER	EL3728
LX 86	MONARK-DIESEL	30780145
LX 86	MOTAQUIP	VFA693
LX 86	MOTAQUIP	VFA718
LX 86	MOTORCRAFT	EFA450
LX 86	NAPA	2415
LX 86	PERFILTER	AF8298
LX 86	PERFILTER	CA4272
LX 86	QH (QUINTON HAZELL)	WA6027
LX 86	TECNOCAR	A401
LX 86	TJ FILTERS	B372
LX 86	UNIPART	GFE2194
LX 86	VECO AUTOMOTIVE	VY5227
LX 927	BOSCH	1457433523
LX 927	BOSCH	S3523
LX 927	CHAMPION (FEDERAL MOGUL)	U781
LX 927	CLEAN	MA1343
LX 927	DELPHI	AF20043
LX 927	FIAAM	PA7383
LX 927	FILTRON	AP118/7
LX 927	HENGST	E388L
LX 927	KOLBENSCHMIDT	422AP
LX 927	KOLBENSCHMIDT	50013422
LX 927	MANN + HUMMEL	C32164
LX 927	MECAFILTER	ELP9055
LX 927	NAPA	2213
LX 927	TECNOCAR	A2043
LX 927	UFI	3021900
LX 939	BOSCH	1457433522
LX 939	BOSCH	S3522

MAHLE	COMPETITOR	
LX 939	CLEAN	MA1341
LX 939	FILTRON	AP035/3
LX 939	HENGST	E456L
LX 939	KOLBENSCHMIDT	678AP
LX 939	MANN + HUMMEL	C47109
LX 939	NAPA	9204
LX 939	UFI	3018200
LX 95	AC-DELCO	PC484
LX 95	ALCO	MD458
LX 95	ALCO	MD9458
LX 95	AMC	SA9854
LX 95	BOSCH	1457429828 SB
LX 95	BOSCH	1457429875
LX 95	BOSCH	1457429986
LX 95	BOSCH	L203
LX 95	BOSCH	S9875
LX 95	CHAMPION (FEDERAL MOGUL)	U516
LX 95	CLEAN	MA183
LX 95	CROSLAND	9085
LX 95	FIAAM	PA7052
LX 95	FIAAM	PA7094
LX 95	FILTRON	AP010
LX 95	FISPA	FAP021
LX 95	FRAM	CA4539
LX 95	FRAM	CA5144
LX 95	HENGST	E30L
LX 95	HENGST	E30L02
LX 95	HERTH & BUSS JAKOPARTS	J1320402
LX 95	KOLBENSCHMIDT	168AP
LX 95	KOLBENSCHMIDT	50013168
LX 95	MANN + HUMMEL	C29126
LX 95	MANN + HUMMEL	C29126/2
LX 95	MAX-FILTER	ML18
LX 95	MECAFILTER	ELP3328
LX 95	MECAFILTER	ELP3595
LX 95	MECAFILTER	FA1610
LX 95	MONARK-DIESEL	30780079
LX 95	MOTAQUIP	VFA391
LX 95	MOTORCRAFT	EFA396
LX 95	MOTORCRAFT	EFA449
LX 95	MOTRIO	8671000185
LX 95	NAPA	6122
LX 95	NIPPARTS	J1320402
LX 95	PBR	A15028
LX 95	PERFILTER	AF9817
LX 95	PERFILTER	CA4539
LX 95	POWERTRAIN	PMFA625
LX 95	QH (QUINTON HAZELL)	WA6172
LX 95	SAVARA	92359111
LX 95	SOFIMA	S3120A
LX 95	TECNOCAR	A213
LX 95	TEHO	22941
LX 95	TEHO	294
LX 95	TJ FILTERS	B361
LX 95	UFI	3089300
LX 95	UNIPART	GFE2187

MAHLE	COMPETITOR	
LX 95	VALEO	585117
LX 95	VECO AUTOMOTIVE	VY5218
LX 95	WEVER	139758
LX 96	AC-DELCO	PC505
LX 96	ALCO	MD556
LX 96	ALCO	MD9556
LX 96	AMC	SA9853
LX 96	BOSCH	1457429783
LX 96	BOSCH	1457432201
LX 96	BOSCH	S9783
LX 96	CHAMPION (FEDERAL MOGUL)	U563
LX 96	CLEAN	MA644
LX 96	CROSLAND	9179
LX 96	FIAAM	PA7070
LX 96	FILTRON	AP011
LX 96	FRAM	CA4580
LX 96	FRAM	CA5962
LX 96	FRAM	CA6387
LX 96	HENGST	E31L
LX 96	HENGST	E31L02
LX 96	HERTH & BUSS JAKOPARTS	J1320401
LX 96	JAPANPARTS	JFA978
LX 96	KOLBENSCHMIDT	169AP
LX 96	KOLBENSCHMIDT	50013169
LX 96	MANN + HUMMEL	C38163
LX 96	MANN + HUMMEL	C38163/1
LX 96	MAX-FILTER	ML43
LX 96	MECAFILTER	ELP3338
LX 96	MECAFILTER	ELP3496
LX 96	MECAFILTER	FA1612
LX 96	MONARK-DIESEL	30780150
LX 96	MOTAQUIP	VFA546
LX 96	MOTORCRAFT	EFA495
LX 96	MOTRIO	8671000183
LX 96	NIPPARTS	J1320401
LX 96	PERFILTER	AF9852
LX 96	POWERTRAIN	PMFA626
LX 96	QH (QUINTON HAZELL)	WA6174
LX 96	SOFIMA	S0520A
LX 96	TECNOCAR	A250
LX 96	TEHO	23481
LX 96	TEHO	348
LX 96	UFI	3091100
LX 96	UNIPART	GFE2188
LX 96	VALEO	585109
LX 96	VECO AUTOMOTIVE	VY5219
LX 96	WEVER	158758
LX 97	AC-DELCO	PC508
LX 97	ALCO	MD558
LX 97	ALCO	MD9558
LX 97	BOSCH	1457429988
LX 97	BOSCH	S9988
LX 97	CHAMPION (FEDERAL MOGUL)	U517
LX 97	CLEAN	MA661

MAHLE	COMPETITOR	
LX 97	FIAAM	PA7071
LX 97	FILTRON	AP012
LX 97	FRAM	CA4579
LX 97	HENGST	E32L
LX 97	HENGST	E32L02
LX 97	KOLBENSCHMIDT	183AP
LX 97	KOLBENSCHMIDT	50013183
LX 97	MANN + HUMMEL	C48183
LX 97	MAX-FILTER	ML44/R
LX 97	MECAFILTER	ELP3337
LX 97	MECAFILTER	FA1606
LX 97	MOTAQUIP	VFA637
LX 97	MOTORCRAFT	EFA497
LX 97	PBR	AI5029
LX 97	PERFILTER	AF9480
LX 97	QH (QUINTON HAZELL)	WA6175
LX 97	SOFIMA	S8230A
LX 97	TECNOCAR	A328
LX 97	TEHO	2300
LX 97	TJ FILTERS	B373
LX 97	UFI	3092900
LX 97	VECO AUTOMOTIVE	VY5231
LX 990	BOSCH	1457429786
LX 990	BOSCH	S9786
LX 990	FRAM	CA6843
LX 990	HENGST	E256L
LX 990	MANN + HUMMEL	C40193
LX 990	MECAFILTER	EL3791
LX 990	NAPA	6461
LXS 214	AC-DELCO	A588C
LXS 214	AC-DELCO	PC411
LXS 214	AIR REFINER	ARM119410
LXS 214	AIR REFINER	ARM1221
LXS 214	AP LOCKHEED	AP3309
LXS 214	AP LOCKHEED	LK3309
LXS 214	BALDWIN	PA2419
LXS 214	BAUER	N10119
LXS 214	BOSCH	1457429887
LXS 214	BOSCH	1987430075
LXS 214	CHAMPION LABORATORIES (EUROFILTER)	9-2
LXS 214	CLEAN	MA566
LXS 214	COOPERS	ADG535
LXS 214	COOPERS	AZA333
LXS 214	COOPERS	AZA333T
LXS 214	CROSLAND	9618
LXS 214	DONALDSON	P119410
LXS 214	DONALDSON	P119410 2
LXS 214	DONALDSON	P122026
LXS 214	DONALDSON	P122074
LXS 214	DONALDSON	P122074*2P119410
LXS 214	DONALDSON	P122991
LXS 214	DONALDSON	P131344
LXS 214	DONALDSON	P138441
LXS 214	DONALDSON	P138636
LXS 214	DONALDSON	P155334



MAHLE	COMPETITOR	
LXS 214	DONALDSON	P770198
LXS 214	FIAAM	FLI6418
LXS 214	FILT	A2466
LXS 214	FISPA	FAC683
LXS 214	FLEETGUARD	AF4103
LXS 214	FRAM	CA1544SY
LXS 214	FRAM	CA2527
LXS 214	HENGST	E567LS
LXS 214	LUBERFINER (CHAMP)	LAF9410
LXS 214	MANN + HUMMEL	CF922
LXS 214	MECAFILTER	FA3192
LXS 214	PBR	AI3298
LXS 214	PERFILTER	AF1839
LXS 214	SAVARA	92333211
LXS 214	SOFILTRA	124802
LXS 214	SOFILTRA	12480200
LXS 214	SOFILTRA	124817
LXS 214	SOFIMA	S2850A
LXS 214	TECNOCAR	A582
LXS 214	TEHO	10071
LXS 214	TEHO	210071
LXS 214	UFI	2794900
LXS 24	AC-DELCO	A447C
LXS 24	AIR REFINER	ARM109159
LXS 24	ALCO	MD534
LXS 24	BALDWIN	PA1905
LXS 24	CHAMPION LABORATORIES (EUROFILTER)	1-39
LXS 24	CHAMPION LABORATORIES (EUROFILTER)	61-12
LXS 24	CLEAN	MA575
LXS 24	COOPERS	AZA508
LXS 24	COOPERS	AZA508T
LXS 24	CROSLAND	9575
LXS 24	DONALDSON	P109159
LXS 24	DONALDSON	P109159 1
LXS 24	DONALDSON	P114931
LXS 24	DONALDSON	P114931 2
LXS 24	DONALDSON	P119368
LXS 24	DONALDSON	P119369
LXS 24	DONALDSON	P119431
LXS 24	DONALDSON	P119931
LXS 24	DONALDSON	P128355*2P114931
LXS 24	DONALDSON	P128518
LXS 24	DONALDSON	P128518 2
LXS 24	DONALDSON	P130083
LXS 24	DONALDSON	P130083 2
LXS 24	DONALDSON	P136661
LXS 24	DONALDSON	P145894
LXS 24	DONALDSON	P153338
LXS 24	DONALDSON	P770737
LXS 24	FIAAM	FLI6590
LXS 24	FLEETGUARD	AA2900
LXS 24	FLEETGUARD	AF883
LXS 24	FLEETGUARD	AF883M
LXS 24	FLEETGUARD	AF943

MAHLE	COMPETITOR	
LXS 24	FRAM	CA536SY
LXS 24	LUBERFINER (CHAMP)	LAF9159
LXS 24	MANN + HUMMEL	CF1398
LXS 24	MANN + HUMMEL	CF22269
LXS 24	MECAFILTER	FA3231
LXS 24	PBR	AI3339
LXS 24	SOFIMA	S3450A
LXS 24	TECNOCAR	A543
LXS 24	UFI	2799600
LXS 256	CHAMPION LABORATORIES (EUROFILTER)	22-10
LXS 256	CHAMPION LABORATORIES (EUROFILTER)	220010
LXS 256	CROSLAND	9784
LXS 256	DONALDSON	P775302
LXS 256	FLEETGUARD	AF25485
LXS 256	FLEETGUARD	AF25558
LXS 256	FLEETGUARD	AF25592
LXS 256	HENGST	E434LS
LXS 256	MANN + HUMMEL	CF990
LXS 256	MANN + HUMMEL	CF990/2
LXS 256	MECAFILTER	FA3223
OX 133D	MANN + HUMMEL	HU727/1X
OX 133D	NAPA	1145
OX 133D	QH (QUINTON HAZELL)	WL7304
OX 153D3	FRAM	CH9301
OX 153D3	HENGST	E11HD57
OX 153D3	MANN + HUMMEL	HU718/1K
OX 153D3	MANN + HUMMEL	ML 1032
OX 153D3	QH (QUINTON HAZELL)	WL7240
OX 179D	FRAM	CH9232
OX 179D	HENGST	E17HD57
OX 179D	MANN + HUMMEL	HU721/2X
OX 179D	NAPA	7328
OX 260D	MANN + HUMMEL	HU715/6X
OX 260D	NAPA	7049
OX 354D	MANN + HUMMEL	HU820/2X
OX 380D	A.L. FILTER	ALO8165
OX 380D	FRAM	CH10323
OX 380D	HENGST	E71HD141
OX 380D	MANN + HUMMEL	HU821
OX 380D	NAPA	7062
OX 380D	QH (QUINTON HAZELL)	WL7416
OX 383D	MANN + HUMMEL	HU721/3X
OX 383D	NAPA	7198

Each assortment contains the 30 most popular o-rings in a sturdy plastic case. Detailed dimension information is attached to each one. Durable o-ring material is made to be compatible with petroleum base lubricants, hydraulic oil, gasoline alcohol, LP gas and water. Available in standard and metric size assortments.

72502 Standard O-Ring Assortment

72503 Metric O-Ring Assortment



72502 STANDARD KIT CONTENTS

Part No.	Size in Inches (") I.D. x O.D. x Width	Qty.
72006	1/8 x 1/4 x 1/16	20
72007	5/32 x 9/32 x 1/16	20
72008	3/16 x 5/16 x 1/16	20
72009	7/32 x 11/32 x 1/16	20
72010	1/4 x 3/8 x 1/16	20
72011	5/16 x 7/16 x 1/16	20
72012	3/8 x 1/2 x 1/16	20
72110	3/8 x 1/2 x 3/32	13
72111	7/16 x 5/8 x 3/32	13
72112	1/2 x 11/16 x 3/32	13
72113	9/16 x 3/4 x 3/32	13
72114	5/8 x 3/4 x 3/32	13
72115	11/16 x 7/8 x 3/32	13
72116	3/4 x 5/8 x 3/32	13
72210	3/4 x 9/16 x 1/8	10
72211	13/16 x 1-1/16 x 1/8	10
72212	7/8 x 1-1/8 x 1/8	10
72213	15/16 x 1-3/16 x 1/8	10
72214	1 x 1-1/4 x 1/8	10
72215	1-1/16 x 1-5/16 x 1/8	10
72216	1-1/8 x 1-3/8 x 1/8	10
72217	1-3/16 x 1-7/16 x 1/8	10
72218	1-1/4 x 1-1/2 x 1/8	10
72219	1-5/16 x 1-9/16 x 1/8	10
72220	1-3/8 x 1-5/8 x 1/8	10
72221	1-7/16 x 1-11/16 x 1/8	10
72222	1-1/2 x 1-3/4 x 1/8	10
72325	1-1/2 x 1-7/8 x 3/16	7
72326	1-5/8 x 2 x 3/16	7
72327	1-3/4 x 2-1/8 x 3/16	7

72503 METRIC KIT CONTENTS

Part No.	Size in Metrics (mm) I.D. x Width	Qty.
72600	3 x 2	16
72601	4 x 2	16
72602	5 x 2	16
72603	6 x 2	16
72604	7 x 2	16
72605	8 x 2	16
72606	10 x 2	16
72607	10 x 2.5	13
72608	11 x 2.5	13
72609	12 x 2.5	13
72610	14 x 2.5	13
72611	16 x 2.5	13
72612	17 x 2.5	13
72613	19 x 2.5	13
72614	19 x 3	12
72615	20 x 3	12
72616	22 x 3	12
72617	24 x 3	12
72618	25 x 3	12
72619	27 x 3	12
72620	28 x 3	12
72621	30 x 3	12
72622	32 x 3	12
72623	33 x 3	12
72624	35 x 3	12
72625	36 x 3	12
72626	38 x 3	12
72627	38 x 4	9
72628	41 x 4	9
72629	44 x 4	9

Part No.	Actual Size		Nominal Size	Part No.	Actual Size		Nominal Size
	Width	I.D.	I.D. x O.D. x Width		Width	I.D.	I.D. x O.D. x Width
72001	.040 ± .003	.029 ± .004	1/32 X 3/32 X 1/32	72118	.103 ± .003	.862 ± .006	7/8 X 1 1/16 X 3/32
72002	.050 ± .003	.042 ± .004	3/64 X 9/64 X 3/64	72119	.103 ± .003	.924 ± .006	15/16 X 1 1/8 X 3/32
72003	.060 ± .003	.056 ± .004	1/16 X 3/16 X 1/16	72120	.103 ± .003	.987 ± .006	1 X 1 3/16 X 3/32
72004	.070 ± .003	.070 ± .004	5/64 X 13/64 X 1/16	72121	.103 ± .003	1.049 ± .006	1 1/16 X 1 1/2 X 3/32
72005	.070 ± .003	.100 ± .005	3/32 X 7/32 X 1/16	72122	.103 ± .003	1.112 ± .006	1 1/8 X 1 5/16 X 3/32
72006*	.070 ± .003	.114 ± .005	1/8 X 1/4 X 1/16	72123	.103 ± .003	1.174 ± .006	1 3/16 X 1 3/8 X 3/32
72007*	.070 ± .003	.145 ± .005	5/32 X 9/32 X 1/16	72124	.103 ± .003	1.237 ± .006	1 1/4 X 1 7/16 X 3/32
72008*	.070 ± .003	.176 ± .005	3/16 X 5/16 X 1/16	72125	.103 ± .003	1.299 ± .006	1 5/16 X 1 1/2 X 3/32
72009*	.070 ± .003	.208 ± .005	7/32 X 11/32 X 1/16	72126	.103 ± .003	1.362 ± .006	1 3/8 X 1 9/16 X 3/32
72010*	.070 ± .003	.239 ± .005	1/4 X 3/8 X 1/16	72127	.103 ± .003	1.424 ± .006	1 7/16 X 1 5/8 X 3/32
72011*	.070 ± .003	.301 ± .005	5/16 X 7/16 X 1/16	72128	.103 ± .003	1.487 ± .006	1 1/2 X 1 11/16 X 3/32
72012*	.070 ± .003	.364 ± .005	3/8 X 1/2 X 1/16	72129	.103 ± .003	1.549 ± .010	1 9/16 X 1 3/4 X 3/32
72013	.070 ± .003	.426 ± .005	7/16 X 9/16 X 1/16	72130	.103 ± .003	1.612 ± .010	1 5/8 X 1 13/16 X 3/32
72014	.070 ± .003	.489 ± .005	1/2 X 5/8 X 1/16	72131	.103 ± .003	1.674 ± .010	1 11/16 X 1 7/8 X 3/32
72015	.070 ± .003	.551 ± .005	9/16 X 11/16 X 1/16	72132	.103 ± .003	1.737 ± .010	1 3/4 X 1 15/16 X 3/32
72016	.070 ± .003	.614 ± .005	5/8 X 3/4 X 1/16	72133	.103 ± .003	1.799 ± .010	1 13/16 X 2 X 3/32
72017	.070 ± .003	.676 ± .005	11/16 X 13/16 X 1/16	72134	.103 ± .003	1.862 ± .010	1 7/8 X 2 1/16 X 3/32
72018	.070 ± .003	.739 ± .005	3/4 X 7/8 X 1/16	72136	.103 ± .003	1.987 ± .010	2 X 2 3/16 X 3/32
72019	.070 ± .003	.801 ± .006	13/16 X 15/16 X 1/16	72137	.103 ± .003	2.050 ± .010	2 1/16 X 2 1/4 X 3/32
72020	.070 ± .003	.864 ± .006	7/8 X 1 X 1/16	72138	.103 ± .003	2.112 ± .010	2 1/8 X 2 5/16 X 3/32
72021	.070 ± .003	.926 ± .006	15/16 X 1 1/16 X 1/16	72139	.103 ± .003	2.175 ± .010	2 3/16 X 2 3/8 X 3/32
72022	.070 ± .003	.989 ± .006	1 X 1 1/8 X 1/16	72140	.103 ± .003	2.237 ± .010	2 1/4 X 2 7/16 X 3/32
72024	.070 ± .003	1.114 ± .006	1 1/8 X 1 1/4 X 1/16	72141	.103 ± .003	2.300 ± .010	2 5/16 X 2 1/2 X 3/32
72025	.070 ± .003	1.176 ± .006	1 3/16 X 1 5/16 X 1/16	72142	.103 ± .003	2.362 ± .010	2 3/8 X 2 9/16 X 3/32
72026	.070 ± .003	1.239 ± .006	1 1/4 X 1 3/8 X 1/16	72143	.103 ± .003	2.425 ± .010	2 7/16 X 2 5/8 X 3/32
72027	.070 ± .003	1.301 ± .006	1 5/16 X 1 7/16 X 1/16	72144	.103 ± .003	2.487 ± .010	2 1/2 X 2 11/16 X 3/32
72028	.070 ± .003	1.364 ± .006	1 3/8 X 1 1/2 X 1/16	72146	.103 ± .003	2.612 ± .010	2 5/8 X 2 13/16 X 3/32
72029	.070 ± .003	1.489 ± .010	1 1/2 X 1 5/8 X 1/16	72148	.103 ± .003	2.737 ± .015	2 3/4 X 2 15/16 X 3/32
72030	.070 ± .003	1.614 ± .010	1 5/8 X 1 3/4 X 1/16	72149	.103 ± .003	2.800 ± .015	2 13/16 X 3 X 3/32
72031	.070 ± .003	1.739 ± .010	1 3/4 X 1 7/8 X 1/16	72152	.103 ± .003	3.237 ± .015	3 1/4 X 3 7/16 X 3/32
72032	.070 ± .003	1.864 ± .010	1 7/8 X 2 X 1/16	72153	.103 ± .003	3.487 ± .015	3 1/2 X 3 11/16 X 3/32
72034	.070 ± .003	2.114 ± .010	2 1/8 X 2 1/4 X 1/16	72158	.103 ± .003	4.737 ± .015	4 3/4 X 4 15/16 X 3/32
72035	.070 ± .003	2.239 ± .010	2 1/4 X 2 3/8 X 1/16	72210*	.139 ± .004	.734 ± .006	3/4 X 1 X 1/8
72039	.070 ± .003	2.739 ± .015	2 3/4 X 2 7/8 X 1/16	72211*	.139 ± .004	.796 ± .006	13/16 X 1 1/16 X 1/8
72040	.070 ± .003	2.864 ± .015	2 7/8 X 3 X 1/16	72212*	.139 ± .004	.859 ± .006	7/8 X 1 1/8 X 1/8
72042	.070 ± .003	3.239 ± .015	3 1/4 X 3 3/8 X 1/16	72213*	.139 ± .004	.921 ± .006	15/16 X 1 3/16 X 1/8
72043	.070 ± .003	3.489 ± .015	3 1/2 X 3 5/8 X 1/16	72214*	.139 ± .004	.984 ± .006	1 X 1 1/4 X 1/8
72110*	.103 ± .003	.362 ± .005	3/8 X 9/16 X 3/32	72215*	.139 ± .004	1.046 ± .006	1 1/16 X 1 5/16 X 1/8
72111*	.103 ± .003	.424 ± .005	7/16 X 7/8 X 3/32	72216*	.139 ± .004	1.109 ± .006	1 1/8 X 1 3/8 X 1/8
72112*	.103 ± .003	.487 ± .005	1/2 X 11/16 X 3/32	72217*	.139 ± .004	1.171 ± .006	1 3/16 X 1 7/16 X 1/8
72113*	.103 ± .003	.549 ± .005	9/16 X 3/4 X 3/32	72218*	.139 ± .004	1.234 ± .006	1 1/4 X 1 1/2 X 1/8
72114*	.103 ± .003	.612 ± .005	5/8 X 13/16 X 3/32	72219*	.139 ± .004	1.296 ± .006	1 5/16 X 1 9/16 X 1/8
72115*	.103 ± .003	.674 ± .005	11/16 X 7/8 X 3/32	72220*	.139 ± .004	1.359 ± .006	1 3/8 X 1 5/8 X 1/8
72116*	.103 ± .003	.737 ± .005	3/4 X 15/16 X 3/32	72221*	.139 ± .004	1.421 ± .006	1 7/16 X 1 11/16 X 1/8
72117	.103 ± .003	.799 ± .006	13/16 X 1 X 3/32	72222*	.139 ± .004	1.484 ± .006	1 1/2 X 1 3/4 X 1/8

Part No.	Actual Size		Nominal Size	Part No.	Actual Size		Nominal Size
	Width	I.D.	I.D. x O.D. x Width		Width	I.D.	I.D. x O.D. x Width
72223	.139 ± .004	1.609 ± .010	1 5/8 X 1 7/8 X 1/8	72325*	.210 ± .005	1.475 ± .010	1 1/2 X 1 7/8 X 3/16
72224	.139 ± .004	1.734 ± .010	1 3/4 X 2 X 1/8	72326*	.210 ± .005	1.600 ± .010	1 5/8 X 2 X 3/16
72225	.139 ± .004	1.859 ± .010	1 7/8 X 2 1/8 X 1/8	72327*	.210 ± .005	1.725 ± .010	1 3/4 X 2 1/8 X 3/16
72226	.139 ± .004	1.984 ± .010	2 X 2 1/4 X 1/8	72329	.210 ± .005	1.975 ± .010	2 X 2 3/8 X 3/16
72228	.139 ± .004	2.234 ± .010	2 1/4 X 2 1/2 X 1/8	72330	.210 ± .005	2.100 ± .010	2 1/8 X 2 1/2 X 3/16
72229	.139 ± .004	2.359 ± .010	2 3/8 X 2 5/8 X 1/8	72331	.210 ± .005	2.225 ± .010	2 1/4 X 2 5/8 X 3/16
72230	.139 ± .004	2.484 ± .010	2 1/2 X 2 3/4 X 1/8	72332	.210 ± .005	2.350 ± .010	2 3/8 X 2 3/4 X 3/16
72231	.139 ± .004	2.609 ± .010	2 5/8 X 2 7/8 X 1/8	72333	.210 ± .005	2.475 ± .010	2 1/2 X 2 7/8 X 3/16
72232	.139 ± .004	2.734 ± .015	2 3/4 X 3 X 1/8	72334	.210 ± .005	2.600 ± .010	2 5/8 X 3 X 3/16
72234	.139 ± .004	2.984 ± .015	3 X 3 1/4 X 1/8	72335	.210 ± .005	2.725 ± .015	2 3/4 X 3 1/8 X 3/16
72235	.139 ± .004	3.109 ± .015	3 1/8 X 3 3/8 X 1/8	72336	.210 ± .005	2.850 ± .015	2 7/8 X 3 1/4 X 3/16
72236	.139 ± .004	3.234 ± .015	3 1/4 X 3 1/2 X 1/8	72337	.210 ± .005	2.975 ± .015	3 X 3 3/8 X 3/16
72237	.139 ± .004	3.359 ± .024	3 3/8 X 3 5/8 X 1/8	72340	.210 ± .005	3.350 ± .015	3 3/8 X 3 3/4 X 3/16
72238	.139 ± .004	3.484 ± .015	3 1/2 X 3 3/4 X 1/8	72342	.210 ± .005	3.600 ± .015	3 5/8 X 4 X 3/16
72239	.139 ± .004	3.609 ± .015	3 5/8 X 3 7/8 X 1/8	72343	.210 ± .005	3.725 ± .015	3 3/4 X 4 1/8 X 3/16
72242	.139 ± .004	3.984 ± .015	4 X 4 1/4 X 1/8	72345	.210 ± .005	3.975 ± .015	4 X 4 3/8 X 3/16
72248	.139 ± .004	4.734 ± .015	4 3/4 X 5 X 1/8	72433	.275 ± .006	5.475 ± .023	5 1/2 X 6 X 1/4
72252	.139 ± .004	5.234 ± .023	5 1/4 X 5 1/2 X 1/8	72443	.275 ± .006	7.475 ± .030	7 1/2 X 8 X 1/4

O-Ring sealing fluid compatibility guide

The chemicals in many fluids used in the industry can have a harmful effect upon the synthetic compound in an o-ring. To guide you in the use of o-rings, check the type of fluid you will be sealing against this list.

MAY BE USED TO SEAL

- Acetylene
- Air oxygen
- Alcohols - methyl and ethyl
- Chemical salt solutions
- Coolant fluids, ethylene glycols
- Diesel fuels
- Diesel lubrication oils
- Formaldehyde
- Freon 12, 14
- Gases (inert, ammonia, L.P.)
- Gasolines up to 30 % aromatic content
- Glucose
- Glycerol
- Greases
- Linseed oil
- Mild acids
- Mild alkalies

SHOULD NOT BE USED TO SEAL

- Petroleum hydraulic fluids
- Petroleum lubricating fluids
- Soap and detergent solutions
- Turpentine
- Acids over 10% concentration
- Castor oil based automotive brake fluids
- Chlorinated solvents
- E.P. lubricants containing additives which liberate free sulfur or chlorine (use with caution)
- Furfural
- Lacquers
- Nitric acid (any concentration)
- Organic ester based fluids
- Pydraul
- Skydrol
- Organic acid technology (OAT) coolants
- Fuel-injection applications

FRACTION	DECIMAL	MILLIMETERS
1/64	.01563	.3969
1/32	.03125	.7938
	.03937	1.0000
3/64	.04688	1.1906
1/16	.06250	1.5875
5/64	.07813	1.9844
	.07874	2.0000
3/32	.09375	2.3813
7/64	.10938	2.7781
	.11811	3.0000
1/8	.12500	3.1750
9/64	.14063	3.5719
5/32	.15625	3.9688
	.15748	4.0000
11/64	.17188	4.3656
3/16	.18750	4.7625
	.19685	5.0000
13/64	.20313	5.1594
7/32	.21875	5.5563
15/64	.23438	5.9531
	.23622	6.0000
1/4	.25000	6.3500
17/64	.26563	6.7469
	.27559	7.0000
9/32	.28125	7.1438
19/64	.29688	7.5406
5/16	.31250	7.9375
	.31496	8.0000
21/64	.32813	8.3344
11/32	.34375	8.7313
	.35433	9.0000
23/64	.35938	9.1281
3/8	.37500	9.5250
25/64	.39063	9.9219
	.39370	10.0000
13/32	.40625	10.3188
27/64	.42188	10.7156
	.43307	11.0000
7/16	.43750	11.1125
29/64	.45313	11.5094
15/32	.46875	11.9063
	.47244	12.0000
31/64	.48438	12.3031
1/2	.50000	12.7000

FRACTION	DECIMAL	MILLIMETERS
	.51181	13.0000
33/64	.51563	13.0969
17/32	.53125	13.4938
35/64	.54688	13.8906
	.55118	14.0000
9/16	.56250	14.2875
37/64	.57813	14.6844
	.59055	15.0000
19/32	.59375	15.0813
39/64	.60938	15.4781
5/8	.62500	15.8750
	.62992	16.0000
41/64	.64063	16.2719
21/32	.65625	16.6688
	.66929	17.0000
43/64	.67188	17.0656
11/16	.68750	17.4625
45/64	.70313	17.8594
	.70866	18.0000
23/32	.71875	18.2563
47/64	.73438	18.6531
	.74803	19.0000
3/4	.75000	19.0500
49/64	.76563	19.4469
25/32	.78125	19.8438
	.78740	20.0000
51/64	.79688	20.2406
13/16	.81250	20.6375
	.82677	21.0000
53/64	.82813	21.0344
27/32	.84375	21.4313
55/64	.85938	21.8281
	.86614	22.0000
7/8	.87500	22.2250
57/64	.89063	22.6219
	.90551	23.0000
29/32	.90625	23.0188
59/64	.92188	23.4156
15/16	.93750	23.8125
	.94488	24.0000
61/64	.95313	24.2094
31/32	.96875	24.6063
	.98425	25.0000
63/64	.98438	25.0031
1	1.00000	25.4000

